

0CV10-M10202EN

P R E F A C E

1. This Parts Catalog carries all parts incorporated in YANMAR Model 3TNC78E-RDWB engine manufactured since July, 1990.
2. Each illustration corresponds to the parts list on the following page.
3. When ordering parts, clearly write down the engine model and serial number, as well as the name and number of each part in your order sheet. This will help insure reliable delivery of the parts you have ordered.
4. Pub. No. 000Y00V1020 First Published : July, 1990.
 Pub. No. 000Y00V1021 First Revised : November, 1991.
 Pub. No. 000Y00V1022 Second Revised : February, 1993.

Directions for the Parts Catalog.

1. This Parts Catalog shows both standard and optional parts.
2. Parts may change without prior notice.
3. The following is an example of the Parts Catalog format.

REF.	LEV.	PARTS NO.	DESCRIPTION	Q'TY						I	R
				(A)	(B)	(C)	(D)	(E)	(F)		
1	1	729595-51390	FUEL INJECTION PUMP	1	1	1	1	1			1
1-1	1	729595-51391	FUEL INJECTION PUMP	1	1	1	1	1		N	1
		(A=E00185) (B=E00200)									
3	2	26022-060162	SCREW M 6X 16	9	9	9	9	9			
3-1	2	26022-060162	SCREW M 6X 16	4	4	4	4	4		K	
		(A=E00156) (B=E00156) (C=E00156) (D=E00156) (E=E00156)									
4	2	129470-51040	CAMSHAFT	1	1	1	1	1			
5	2	122710-51050	BEARING, ROLLER	2	2	2	2	2			
6	2	129470-51060	RETAINER	1	1	1	1	1			

Remarks
(1) BOOST COMPEMSATOR TYPE. OPTIONAL PART, TO E00155,(4JH-DT, 4JH-DTZ

① Ref. No.

The Ref. No. listed may not be in accordance with the illustration Ref. No.

(Ex.) Illustration No.

List Ref No.

1 1 (Before change) → 1-1 (After change)

For interchangeable symbols N, R and K, illustrations for new parts may be abbreviated.

② Lev. (Level)

Level indication

The numbers below indicate the level of relativity towards the main part.

1 ---- Main parts (Assembly parts)

2 ---- Sub component included in " 1 ".

3 ---- Sub component included in " 2 ".

Note) Parts that are not for sale are partially illustrated but not listed.

③ Interchangeability Symbol

When a part change takes place, one of the following interchangeability symbols is indicated beside the part.

Symbol	Interchangeability	Contents note
N	Old $\begin{matrix} \leftarrow \text{Yes} \\ \text{No} \rightarrow \end{matrix}$ New	New Part is interchangeable for Old Part but Old Part is not interchangeable for New Part.
Q	Old $\begin{matrix} \leftarrow \text{No} \\ \text{Yes} \rightarrow \end{matrix}$ New	New Part is not interchangeable for Old Part but Old Part is interchangeable for New Part.
R	Old $\begin{matrix} \leftarrow \text{Yes} \\ \text{Yes} \rightarrow \end{matrix}$ New	New/ Old Parts are both interchangeable.
S	Old $\begin{matrix} \leftarrow \text{No} \\ \text{No} \rightarrow \end{matrix}$ New	New/ Old Parts are both not interchangeable.
W		Part newly added.
Z		Part discontinued.
F		Not interchangeable by a single part but interchangeable together with related parts.
K		Changes only for used parts quantities.

④ Effective Machine No.

When a part changes, the effective Machine No. will be indicated in the (A)-(F) column.

Product Symbol	Product No.	Product Symbol	Product No.
C	Clutch No. Compressor No.	F	Machine No. (Agricultural Equip.)
D	Drive No.	M	Machine No.
E	Engine No.		

Note 1) A date may follow the symbol. (Ex.) 1996.01

Note 2) "XXXXX" and "ZZZZZ" are for parts that could not be predicted or for engine models that could not be identified.

Note 3) (A=E00185) is the E (Engine Serial Number) for the column (A) model (in this case 4JH-DT) after the parts design change.

⑤ Remarks

Figures or alphabets (symbols) are entered in the remarks column.

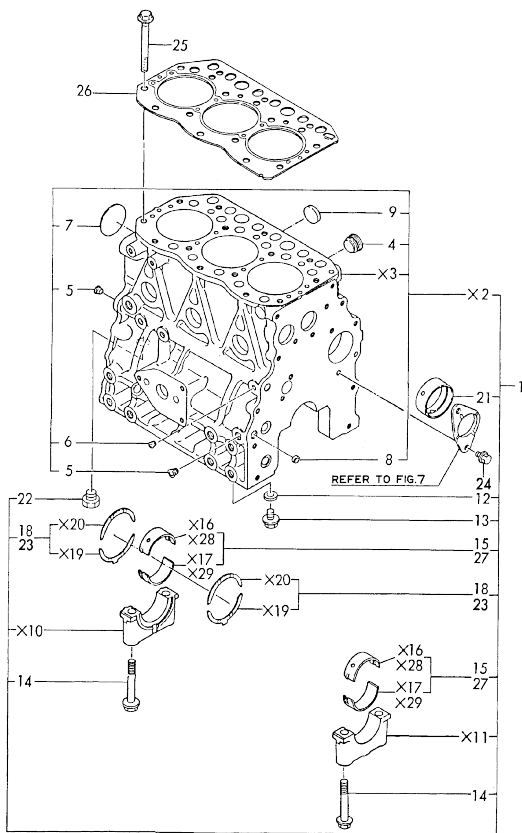
The comments (remarks) on parts that are indicated at the bottom of the illustration are the same symbols as those stated above.

Contents

Fig. No.	Fig. Name	Fig. No.	Fig. Name
ENGINE (3TNC78E-RDWB)			
1.	CYLINDER BLOCK		
2.	GEAR HOUSING		
3.	FLYWHEEL HOUSING & OIL SUMP		
4.	CYLINDER HEAD & BONNET		
5.	SUCTION MANIFOLD & AIR CLEANER		
6.	EXHAUST MANIFOLD & SILENCER		
7.	CAMSHAFT & DRIVING GEAR		
8.	CRANKSHAFT & PISTON		
9.	LUB. OIL SYSTEM		
10.	COOLING WATER SYSTEM		
11.	FUEL INJECTION PUMP		
12.	FUEL INJECTION LINE		
13.	FUEL LINE		
14.	GOVERNOR		
15.	ENGINE STOP DEVICE		
16.	STARTING MOTOR		
17.	GENERATOR		
18.	GASKET SET(OPTIONAL) & TOOL		

Fig.1. CYLINDER BLOCK

Fig. 1 CYLINDER BLOCK



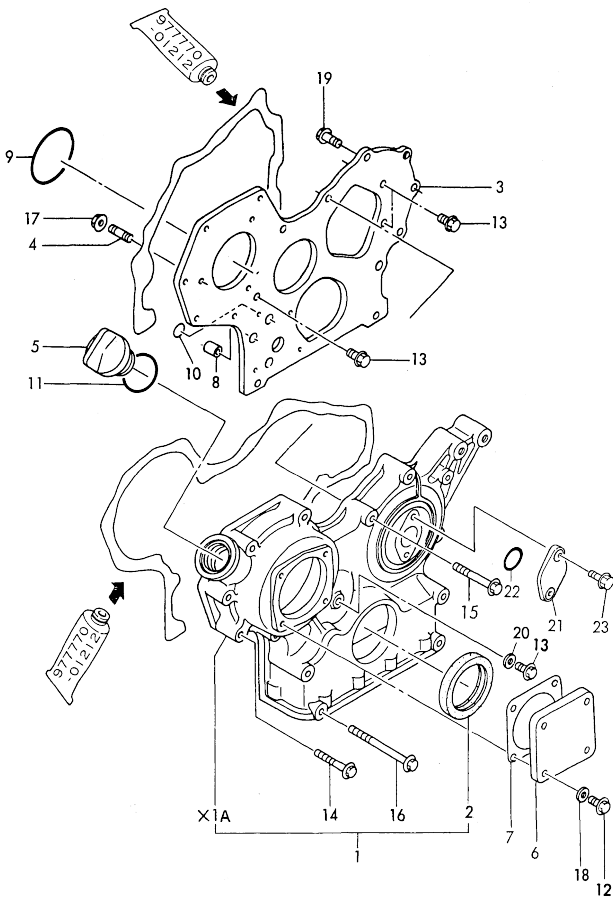
No.	Lev.	Parts No.	Description	Q'ty						I	R
				(A)	(B)	(C)	(D)	(E)	(F)		
1	1	719811-01560	BLOCK ASSY, CYLINDER	1							
4	3	171051-01921	PLUG, NPTF1	1							
5	3	124160-01910	PLUG, PT1/4	2							
6	3	23871-010000	PLUG, R01	1							
7	3	27231-500000	PLUG 50	1							
8	3	27241-120000	PLUG, 12	2							
9	3	27241-300000	PLUG 30	6							
12	2	23414-080000 (A=EXXX)	GASKET, 8X1.0	3							Z
13	2	26106-080202 (A=EXXX)	BOLT, M8X 20 PLATED	3							Z
14	2	119620-02020	BOLT, METAL CAP	8							
15	2	719810-02800	BEARING, MAIN	4							
18	2	719810-02930	BEARING, THRUST	2							
21	2	129795-02411	BUSH, CAMSHAFT	1							
22	2	23887-120002	PLUG, 12	1							
23	1	119810-02940	BEARING, THRUST 0.25	2							2
24	1	26106-080162	BOLT, M8X 16 PLATED	2							
25	1	119810-01200	BOLT, HEAD	14							
26	1	119811-01330	GASKET, HEAD T=1.4	1							
27	1	119810-02870	BEARING, 0.25 US	4							1

Remarks

- (1) UNDER-SIZE(U.S=0.25)PART.
- (2) OVER-SIZE(O.S=0.25)PART.

Fig.2. GEAR HOUSING

Fig. 2 GEAR HOUSING

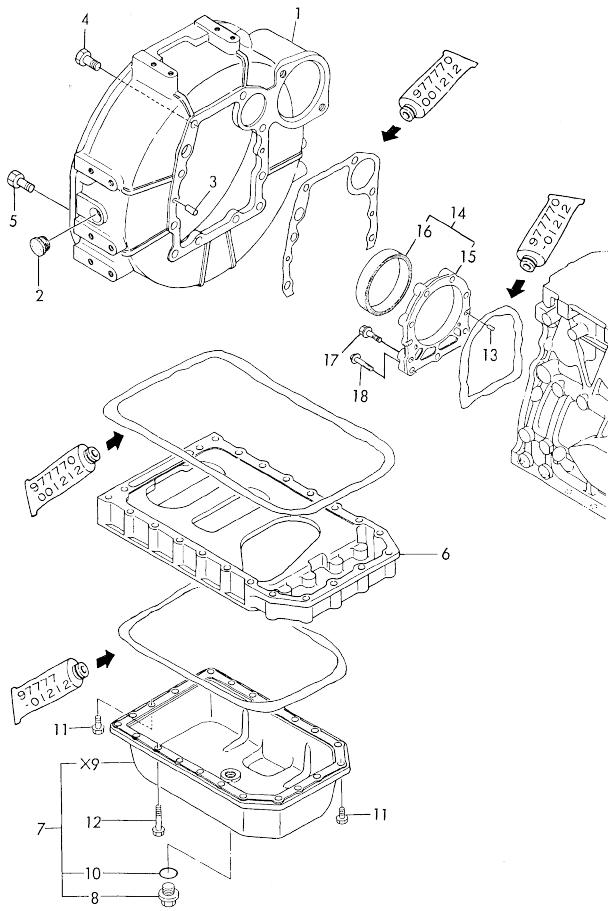


No.	Lev.	Parts No.	Description	Q'ty						I	R
				(A)	(B)	(C)	(D)	(E)	(F)		
1	1	719810-01500	CASE ASSY, GEAR	1							W
		(A=E# 01388)									
2	2	129795-01800	SEAL, OIL	1							
3	1	129400-01520	FLANGE, GEAR CASE	1							
4	1	121450-01560	STUD, M8X22	3							
5	1	124160-01751	COVER, FILLER	1							
6	1	124240-01871	COVER	1							
7	1	124240-01883	GASKET	1							
8	1	129795-01950	PIPE, KNOCK L=18	2							
9	1	121850-51960	O-RING	1							
10	1	24311-000160	O-RING, 1AP16.0	2							
11	1	24311-000320	O-RING, 1AP32.0	1							
12	1	26106-080122	BOLT, M8X 12 PLATED	4							
13	1	26106-080162	BOLT, M8X 16 PLATED	4							
14	1	26106-080452	BOLT, M8X 45 PLATED	6							
15	1	26106-080552	BOLT, M8X 55 PLATED	3							
16	1	26106-080852	BOLT, M8X 85 PLATED	4							
17	1	26366-080002	NUT, M8	3							
18	1	43400-500410	SEAL WASHER 8	4							
19	1	26106-080202	BOLT, M8X 20 PLATED	2							
20	1	43400-500410	SEAL WASHER 8	1							
21	1	121023-01550	COVER	1							
22	1	24341-000240	O-RING, 1AS24.0	1							
23	1	26106-060122	BOLT, M6X 12 PLATED	2							

N:Old $\frac{100}{100}$ New, Q:Old $\frac{100}{100}$ New, R:Old $\frac{100}{100}$ New, S:Old $\frac{100}{100}$ New, W:Add, Z:Discontinued, F:Interchangeable by set, K:Q'ty Change
 Copyright (C) YANMAR CO., LTD. All Rights Reserved.

Fig.3. FLYWHEEL HOUSING & OIL SUMP

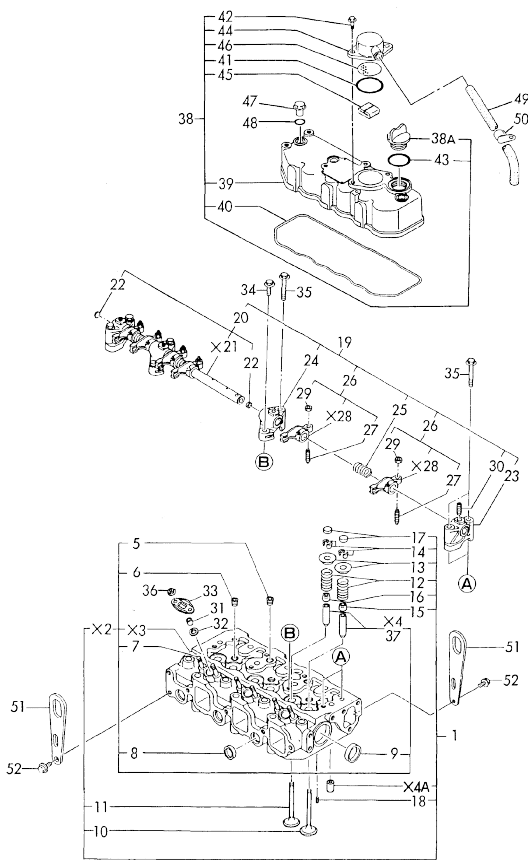
Fig. 3 FLYWHEEL HOUSING



No.	Lev.	Parts No.	Description	Q'ty						I	R
				(A)	(B)	(C)	(D)	(E)	(F)		
1	1	171301-01600	HOUSING, FLYWHEEL	1							
2	1	119620-01750	CAP	1							
3	1	129100-01580	PIN, M8X16	2							
4	1	26206-100252	BOLT, M10X 25 PLATED	6							
5	1	26206-100302	BOLT, M10X 30 PLATED	4							
6	1	119810-01730	SPACER, OIL SUMP	1							
7	1	719810-01541	SUMP ASSY, OIL	1							
7-1	1	119810-01790	SUMP ASSY, OIL	1							R
(A=FROM 1ST)											
8	2	171301-01640	PLUG, 22	1							
10	2	24341-000240	O-RING, 1AS24.0	1							
11	1	26106-080162	BOLT, M8X 16 PLATED	6							
12	1	26106-080452	BOLT, M8X 45 PLATED	22							
13	1	129100-01580	PIN, M8X16	2							
14	1	119860-01640	CASE ASSY, OIL SEAL	1							
14-1	1	719810-01650	CASE ASSY, OIL SEAL	1							N
(A=E/# 00571)											
15	2	119860-01650	CASE, OIL SEAL	1							
16	2	119810-01780	SEAL, 769310	1							
17	1	26106-080302	BOLT, M8X 30 PLATED	6							
18	1	26106-080352	BOLT, M8X 35 PLATED	3							

Fig.4. CYLINDER HEAD & BONNET

Fig.4 CYLINDER HEAD & BONNET



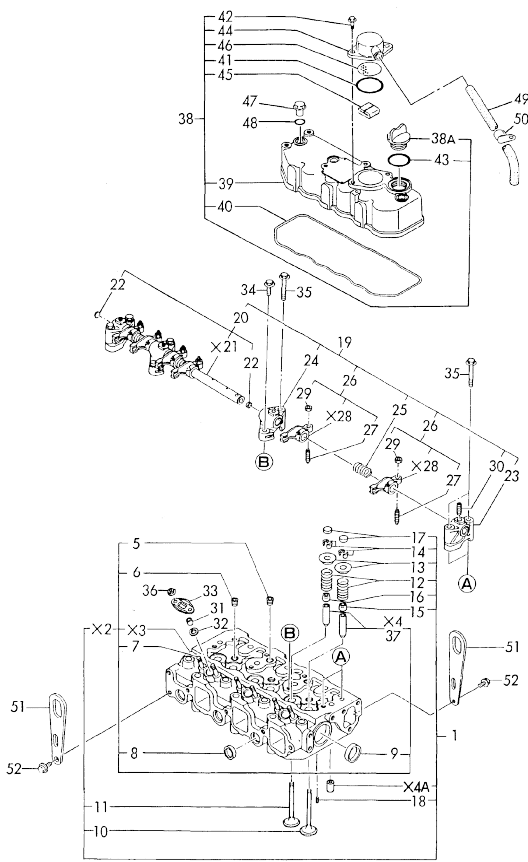
No.	Lev.	Parts No.	Description	Q'ty						I	R
				(A)	(B)	(C)	(D)	(E)	(F)		
1	1	719811-11700	HEAD ASSY, CYLINDER	1							
5	3	121850-11860	PLUG, PT1/4	2							
6	3	23871-030000	PLUG, R03	3							
7	3	26216-060302	STUD, M6X 30	6							
8	3	27241-220000	PLUG, 22	3							
9	3	27241-400000	PLUG, 40	2							
10	2	119810-11100	VALVE, INTAKE	3							
11	2	119810-11110	VALVE, EXHAUST	3							
12	2	119810-11120	SPRING, VALVE	6							
13	2	104211-11180	RETAINER, SPRING	6							
14	2	101158-11190	COTTER	6							
14-1	2	27310-070001	COTTER, 7	6							N
(A=EXXXXX)											
15	2	124160-11340	SEAL, VALVE STEM	3							
16	2	124950-11340	SEAL, VALVE STEM	3							
17	2	104211-11370	CAP VALVE	6							
18	2	22351-060012	PIN, SPRING 6.0X12	2							
19	1	119865-11200	SUPPORT ASSY, ARM	1							
20	2	119810-11240	SHAFT ASSY, ROCKER	1							
22	3	27241-100000	PLUG, 10	2							
23	2	129155-11260	SUPPORT, ROCKER ARM	2							
24	2	129155-11270	SUPPORT, ROCKER ARM	2							
25	2	129150-11280	SPRING	3							
26	2	719865-11650	ARM ASSY, ROCKER	6							
26-1	2	719810-11650	ARM ASSY, ROCKER	6							R
(A=E# 00571)											
27	3	129150-11230	SCREW, VALVE ADJUST	6							
29	3	129150-11750	NUT, M8	6							
30	2	26226-080182	STUD, M8X 18	3							
31	1	119625-11870	PROTECTOR, NOZZLE	3							
32	1	119625-11880	SEAT, NOZZLE	3							
33	1	119625-11900	RETAINER, NOZZLE	3							
34	1	26106-080252	BOLT, M8X 25 PLATED	2							
35	1	26106-080502	BOLT, M8X 50 PLATED	6							
36	1	26366-060002	NUT, M6	6							
37	1	124060-11800	GUIDE, VALVE	6							1
38	1	119810-11350	BONNET ASSY, HEAD	1							W
(A=E# 00571)											
38A	2	124160-01751	COVER, FILLER	1							
39	2	119810-11300	BONNET	1							
40	2	119865-11310	GASKET, BONNET	1							
41	2	24341-000500	O-RING, 1AS50.0	1							
42	2	26106-080162	BOLT, M8X 16 PLATED	2							
43	2	24311-000320	O-RING, 1AP32.0	1							
44	2	129150-03020	COVER, BREATHER	1							
45	2	129150-03070	BAFFLE, BREATHER	1							
46	2	129150-03080	PLATE, BAFFLE	1							
47	1	124160-11360	KNOB	3							
48	1	24311-000120	O-RING, 1AP12.0	3							
49	1	129150-03090	HOSE, ID16X2T	1							
50	1	129150-03100	RETAINER, PIPE	1							

Remarks
(1) REPAIR PART.

N:Old ^{REV}/_{REV} New, Q:Old ^{REV}/_{REV} New, R:Old ^{REV}/_{REV} New, S:Old ^{REV}/_{REV} New, W:Add, Z:Discontinued, F:Interchangeable by set, K:Q'ty Change
 ++ CONTINUE ++
 Copyright (C) YANMAR CO., LTD. All Rights Reserved.

Fig.4. CYLINDER HEAD & BONNET

Fig.4 CYLINDER HEAD & BONNET



(A)=3TNC78E-RDWB
(B)=
(C)=

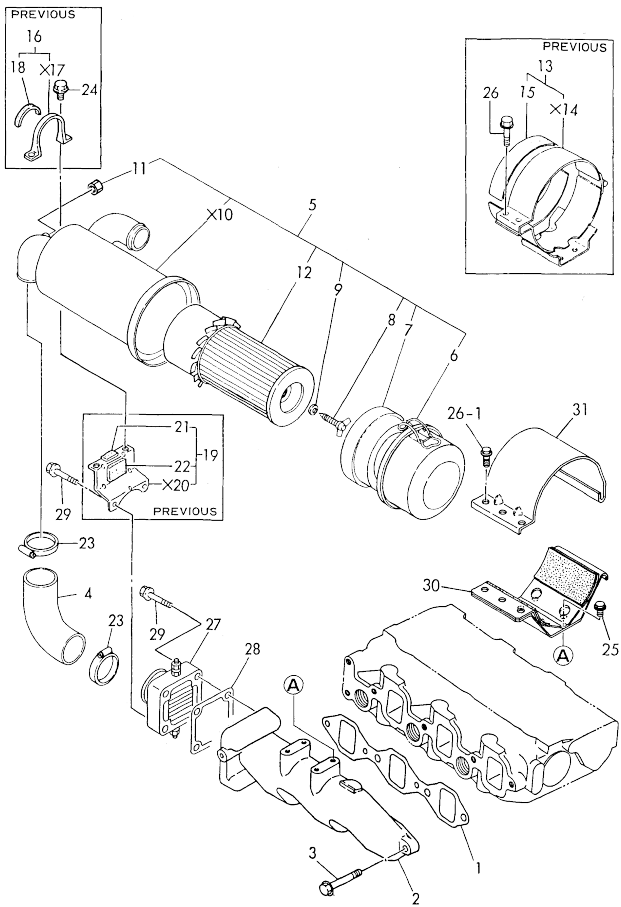
(D)=
(E)=
(F)=

No.	Lev.	Parts No.	Description	Qty						I	R	
				(A)	(B)	(C)	(D)	(E)	(F)			
51	1	124736-07900	LIFTER	2								
52	1	26106-080142	BOLT, M8X 14 PLATED	4								

Remarks
(1) REPAIR PART.

Fig.5. SUCTION MANIFOLD & AIR CLEANER

Fig. 5 SUC. MANIFOLD & AIR CLEANER

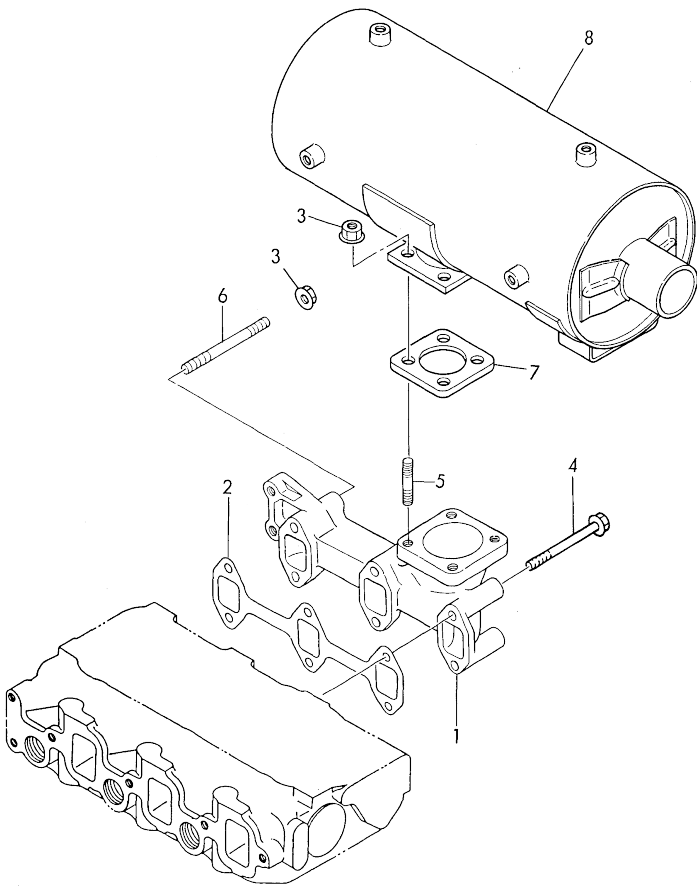


No.	Lev.	Parts No.	Description	Qty						I	R
				(A)	(B)	(C)	(D)	(E)	(F)		
1	1	119810-12111	GASKET, MANIFOLD	1							
2	1	171301-12701	MANIFOLD, AIR INTAKE	1							
3	1	26106-080252	BOLT, M8X 25 PLATED	4							
4	1	119883-12210	PIPE, AIR INTAKE	1							
5	1	129136-12510	CLEANER ASSY, AIR	1							
6	2	129136-12530	PAN, DUST	1							
7	2	121120-12541	RETAINER, ELEMENT	1							
8	2	121120-12561	BOLT	1							
9	2	121120-12571	WASHER, SEAL	1							
11	2	119640-12610	CAP	1							
12	2	121120-12901	ELEMENT	1							
13	1	129132-12581	SUPPORT ASSY, CLEANER	1							Z
(A=E/# 01993)											
15	2	119640-12580	SEAT, RUBBER	2							Z
(A=E/# 01993)											
16	1	129132-12800	BAND, AIR CLEANER	1							Z
(A=E/# 01993)											
18	2	129132-12860	SEAT, RUBBER	1							Z
(A=E/# 01993)											
19	1	119883-12810	SUPPORT, AIR CLEANER	1							Z
(A=E/# 01993)											
21	2	129132-12890	SEAT, RUBBER	1							Z
(A=E/# 01993)											
22	2	129132-12900	DAMPER	1							Z
(A=E/# 01993)											
23	1	23000-060000	CLAMP, 60	2							
24	1	26106-060142	BOLT, M6X 14 PLATED	2							Z
(A=E/# 01993)											
25	1	26106-080142	BOLT, M8X 14 PLATED	4							
26	1	26106-080252	BOLT, M8X 25 PLATED	2							
26-1	1	26106-080252	BOLT, M8X 25 PLATED	3							K
(A=E/# 01993)											
27	1	129120-77501	HEATER	1							
28	1	129150-77510	GASKET	1							
28-1	1	129150-77511	GASKET	1							N
(A=E/# 01388)											
29	1	26106-080352	BOLT, M8X 35 PLATED	4							
30	1	119883-12560	SUPPORT, AIR CLEANER	1							W
(A=E/# 01993)											
31	1	119883-12570	BAND, AIR CLEANER	1							W
(A=E/# 01993)											

N:Old $\frac{New}{Old}$ New, Q:Old $\frac{New}{Old}$ New, R:Old $\frac{New}{Old}$ New, S:Old $\frac{New}{Old}$ New, W:Add, Z:Discontinued, F:Interchangeable by set, K:Qty Change
 Copyright (C) YANMAR CO., LTD. All Rights Reserved.

Fig.6. EXHAUST MANIFOLD & SILENCER

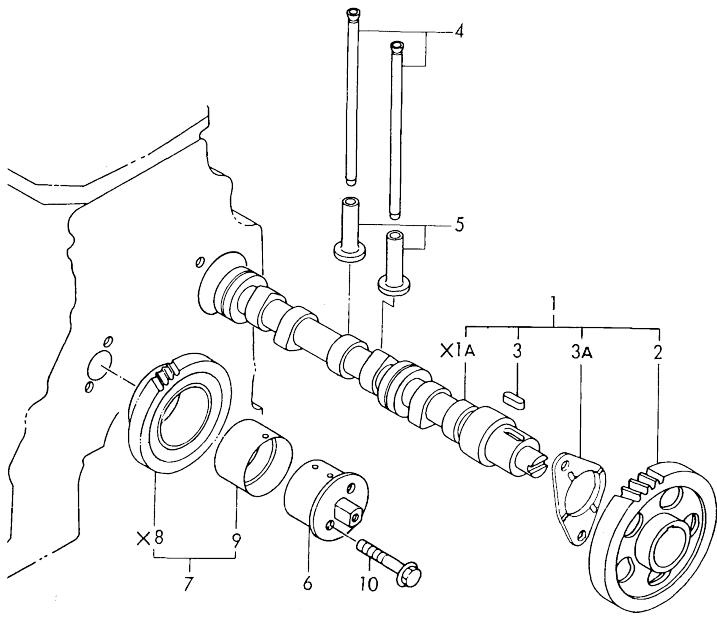
Fig. **6** EXH. MANIFOLD & SILENCER



No.	Lev.	Parts No.	Description	Q'ty						I	R
				(A)	(B)	(C)	(D)	(E)	(F)		
1	1	119888-13101	MANIFOLD, EXHAUST	1							
2	1	119810-13110	GASKET	1							
3	1	194990-22050	NUT, M8	2							
4	1	26106-080602	BOLT, M8X 60 PLATED	4							
5	1	26216-080222	STUD, M8X 22	4							
6	1	26226-080602	STUD, M8X 60	2							
7	1	121000-13200	GASKET, SILENCER	1							
7-1	1	121000-13201 (A=E# 06559)	GASKET, SILENCER	1							N
8	1	119883-13500	SILENCER	1							

Fig.7. CAMSHAFT & DRIVING GEAR

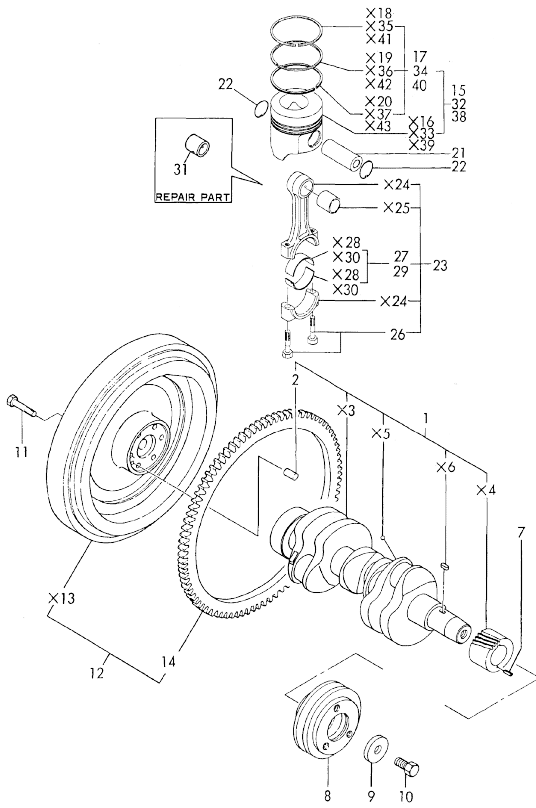
Fig. **7** CAMSHAFT & DRIVING GEAR



No.	Lev.	Parts No.	Description	Q'ty						I	R
				(A)	(B)	(C)	(D)	(E)	(F)		
1	1	119810-14580	CAMSHAFT ASSY	1							W
		(A=FROM 1ST)									
2	2	129150-14101	GEAR, CAMSHAFT	1							
3	2	22512-070140	KEY, 7X 14	1							
3A	2	129150-02450	BEARING, THRUST	1							
4	1	119810-14400	ROD, PUSH	6							
5	1	129150-14200	TAPPET	6							
6	1	129100-25061	SHAFT, IDLE	1							
7	1	129150-25101	GEAR ASSY, IDLE	1							
10	1	26106-080452	BOLT, M8X 45 PLATED	2							

Fig.8. CRANKSHAFT & PISTON

Fig.8 CRANKSHAFT & PISTON

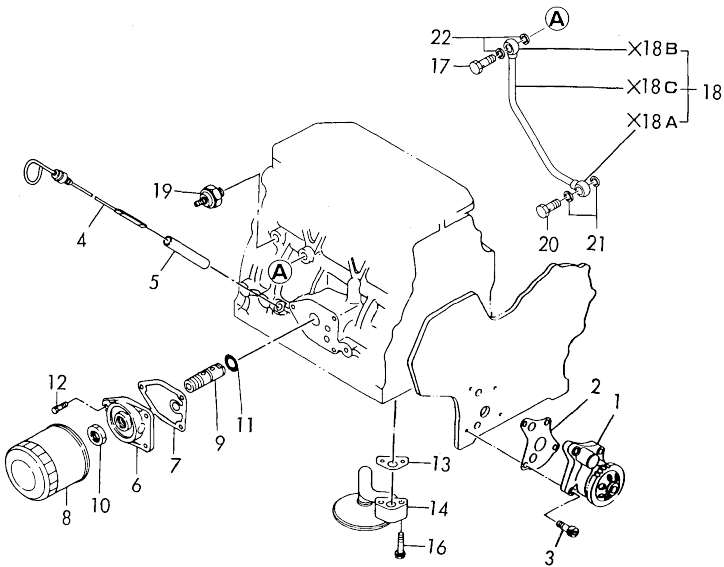


No.	Lev.	Parts No.	Description	Q'ty						I	R
				(A)	(B)	(C)	(D)	(E)	(F)		
1	1	719811-21700	CRANKSHAFT ASSY	1							
2	2	129100-01580	PIN, M8X16	1							
7	1	22351-040010	PIN, SPRING 4.0X10	1							
8	1	171301-21650	V-PULLEY	1							
9	1	129795-21661	WASHER	1							
10	1	121850-21680	BOLT	1							
11	1	121111-21501	BOLT, FLYWHEEL	6							
12	1	171325-21590	FLYWHEEL ASSY	1							
12-1	1	119840-21590	FLYWHEEL ASSY	1							N
(A=E# 00571)											
14	2	119865-21600	GEAR, RING	1							
15	1	119811-22080	PISTON ASSY	3							
17	2	729100-22500	RING SET, PISTON	3							
21	1	104200-22300	PIN, PISTON	3							
22	1	129792-22400	CIRCLIP, 23	6							
23	1	719810-23700	ROD ASSY, CONNECTING	3							
23-1	1	719810-23100	ROD ASSY, CONNECTING	3							R
(A=E# 00571)											
26	2	119810-23200	BOLT, CONNECTING ROD	6							
27	2	719810-23600	BEARING, CRANK PIN	3							
27-1	2	119810-23600	BEARING, CRANK PIN	3							R
(A=E# 00571)											
29	1	119810-23610	BEARING, 0.25 US	3							1
31	1	119810-23910	BEARING, PISTON PIN	3							2
32	1	719811-22900	PISTON ASSY, 0.25 OS	3							3
34	2	729555-22950	RING SET, 0.25 OS	3							3
38	1	119811-22920	PISTON ASSY, 0.50 OS	3							4
40	2	129100-22970	RING SET, 0.50 OS	3							4

Remarks
 (1) UNDER-SIZED(U.S=0.25) PART.
 (2) REPAIR PART.
 (3) OVER-SIZED(O.S=0.25) PART.
 (4) OVER-SIZED(O.S=0.5) PART.

Fig.9. LUB. OIL SYSTEM

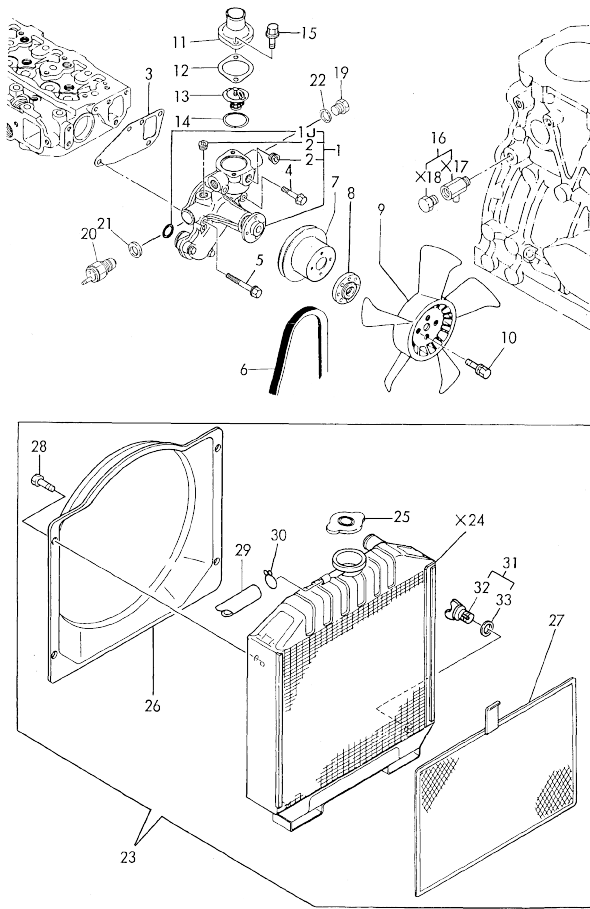
Fig. 9 LUB. OIL SYSTEM



No.	Lev.	Parts No.	Description	Q'ty						I	R
				(A)	(B)	(C)	(D)	(E)	(F)		
1	1	119810-32000	PUMP ASSY, OIL	1							
2	1	129150-32020	GASKET, PUMP	1							
3	1	26450-060252	BOLT, M6X 25	4							
4	1	119600-34800	DIPSTICK, OIL	1							
5	1	121520-34810	GUIDE, DIPSTICK	1							
6	1	129150-35101	BRACKET, STRAINER	1							
7	1	129150-35111	GASKET	1							
8	1	129150-35150	FILTER 90X80L	1							
9	1	119865-35300	VALVE ASSY, CONTROL	1							
10	1	129150-35350	NUT	1							
11	1	24311-000160	O-RING, 1AP16.0	1							
12	1	26106-080202	BOLT, M8X 20 PLATED	3							
13	1	129150-35041	GASKET	1							
14	1	119810-35400	PIPE ASSY, OIL INLET	1							
16	1	26106-080352	BOLT, M8X 35 PLATED	2							
17	1	124160-39140	BOLT, PIPE JOINT M10	1							
18	1	119810-39200	PIPE ASSY, OIL	1							
19	1	124160-39450	SWITCH, 0.5KG	1							
20	1	124550-59820	BOLT, PIPE JOINT M8	1							
21	1	23414-080000	GASKET, 8X1.0	2							
21-1	1	43400-500410	SEAL WASHER 8	2							N
(A=E/# 02742)											
22	1	23414-100000	GASKET, 10X1.0	2							

Fig.10. COOLING WATER SYSTEM

Fig. 10 COOLING WATER SYSTEM

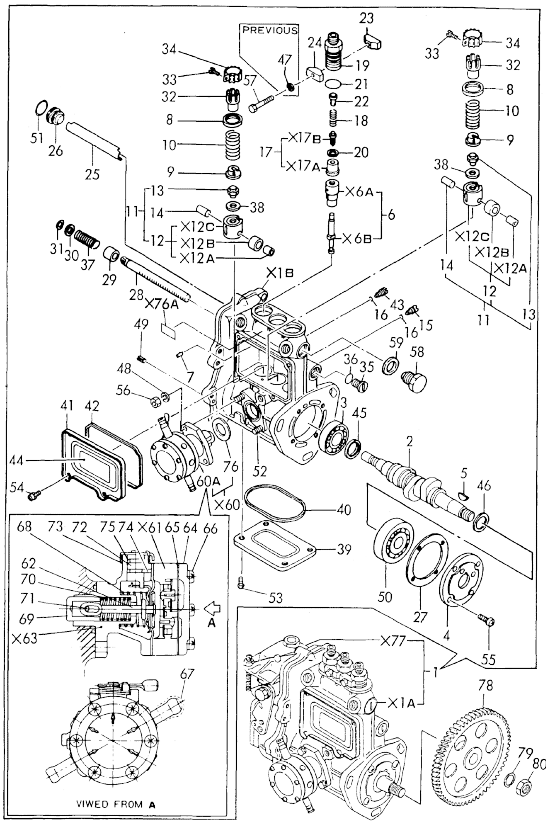


No.	Lev.	Parts No.	Description	Qty						I	R	
				(A)	(B)	(C)	(D)	(E)	(F)			
1	1	119810-42001	PUMP ASSY, WATER	1								
1J	2	129150-42320	O-RING	1								
2	2	238771-030000	PLUG, R03	2								
3	1	129150-42020	GASKET, WATER PUMP	1								
4	1	26106-080352	BOLT, M8X 35 PLATED	1								
5	1	26106-080552	BOLT, M8X 55 PLATED	3								
6	1	121236-42290	V-BELT, A39	1								
7	1	129403-42380	V-PULLEY, D=110	1								
8	1	124574-44761	SPACER, FAN	1								
9	1	129335-44740	FAN, COOLING D335	1								
10	1	26014-060252	BOLT, M6X 25	4								
11	1	129350-49530	COVER, THERMOSTAT	1								
12	1	129795-49551	GASKET	1								
13	1	129155-49800	THERMOSTAT, 71	1								
14	1	129150-49811	GASKET, THERMOSTAT	1								
15	1	26106-080202	BOLT, M8X 20 PLATED	2								
16	1	119620-49290	COCK ASSY, 1/4	1								
19	1	121450-42450	PLUG, M16	1								
20	1	121250-44901	SWITCH, 110	1								
21	1	124465-44950	GASKET, 16	1								
22	1	124465-44950	GASKET, 16	1								
23	1	119883-44500	RADIATOR ASSY	1								
25	2	129129-44590	CAP, RADIATOR	1								
26	2	129129-44560	SHROUD	1								
27	2	119629-44570	PROTECTOR	1								
28	2	26014-060122	BOLT, M6X 12	4								
29	2	124722-49160	PIPE, DRAIN 7/12X250	1								
30	2	121250-44590	CLAMP	2								
31	2	129150-49080	COCK, DRAIN	1								
32	3	119629-49070	COCK, DRAIN	1								
33	3	119629-49080	GASKET	1								

N:Old $\frac{New}{Old}$ New, Q:Old $\frac{New}{Old}$ New, R:Old $\frac{New}{Old}$ New, S:Old $\frac{New}{Old}$ New, W:Add, Z:Discontinued, F:Interchangeable by set, K:Qty Change
 Copyright (C) YANMAR CO., LTD. All Rights Reserved.

Fig.11. FUEL INJECTION PUMP

Fig. 11 FUEL INJECTION PUMP

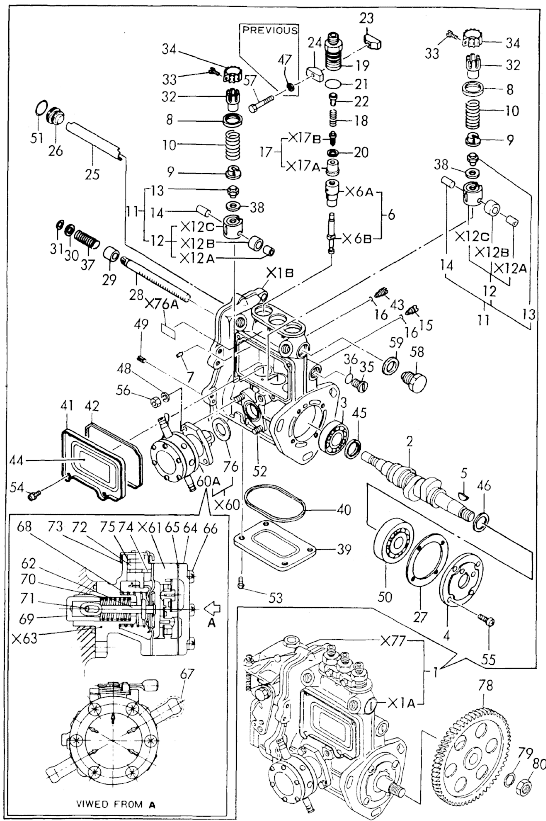


No.	Lev.	Parts No.	Description	Q'ty						I	R	
				(A)	(B)	(C)	(D)	(E)	(F)			
1	1	719869-51360	PUMP ASSY, INJECTION	1							1	
1-1	1	719883-51360	PUMP ASSY, INJECTION	1							N	1
(A=FROM 1ST)												
2	3	119810-51040	CAMSHAFT	1								
3	3	129155-51050	BEARING, 17BM001D	1								
4	3	129155-51060	SUPPORT, CAMSHAFT	1								
5	3	122710-51090	KEY	1								
6	3	129400-51100	PLUNGER ASSY	3								
6-1	3	129108-51100	PLUNGER ASSY	3							N	
(A=FROM 1ST)												
7	3	129155-51140	PIN	3								
8	3	174307-51170	RETAINER, SPRING A	3								
9	3	129155-51180	RETAINER, SPRING	3								
10	3	124950-51190	SPRING, PLUNGER	3								
11	3	129155-51200	TAPPET ASSY	3								
12	4	711100-51540	ROLLER ASSY	3								
13	4	129155-51250	BOLT, ADJUSTING	3								
14	4	174100-54120	PIN	3								
15	3	129155-51270	STOPPER, TAPPET	3								
16	3	129155-51280	O-RING, S6	3								
17	3	129505-51300	VALVE ASSY, DELIVERY	3								
17-1	3	128170-51300	VALVE ASSY, DELIVERY	3							N	
(A=FROM 1ST)												
18	3	129155-51320	SPRING, DELIVERY	3								
19	3	129155-51340	RETAINER	3								
20	3	124550-51350	GASKET, DELIVERY	3								
21	3	124550-51370	O-RING	3								
22	3	129155-51370	STOPPER, VALVE	3								
23	3	129155-51380	STOPPER	2								
24	3	129155-51390	STOPPER	2								
25	3	129155-51400	DEFLECTOR	1								
26	3	129155-51410	BOLT	1								
27	3	129155-51450	SHIM SET, ADJUSTING	1								
28	3	129155-51500	RACK, CONTROL	1								
29	3	129155-51521	BUSH, RACK	1								
30	3	129155-51530	SPACER	1								
31	3	129155-51540	CIRCLIP	1								
32	3	129155-51550	PINION, CONTROL	1								
33	3	122117-51560	SCREW	3								
34	3	174307-51560	PINION	3								
35	3	129155-51570	PLUG, M12	1								
36	3	129155-51580	O-RING	1								
37	3	129155-51591	SPRING, RACK	1								
38	3	129155-51600	SHIM SET, ADJUSTING	3								
39	3	129155-51700	COVER	1								
40	3	129155-51710	GASKET	1								
41	3	129155-51750	COVER	1								
42	3	129155-51760	GASKET	1								
43	3	129155-51790	STOPPER, RACK	1								
44	3	129156-51910	LABEL, CAUTION	1								
45	3	129155-51930	SPACER, T=3.25	1								

Remarks
 (1) GOVERNOR ASSY(FIG.14) IS INCORPORATED IN THIS FUEL INJECTION PUMP ASSY(REF.NO.1,P/# 719869-51360).

Fig.11. FUEL INJECTION PUMP

Fig. 11 FUEL INJECTION PUMP

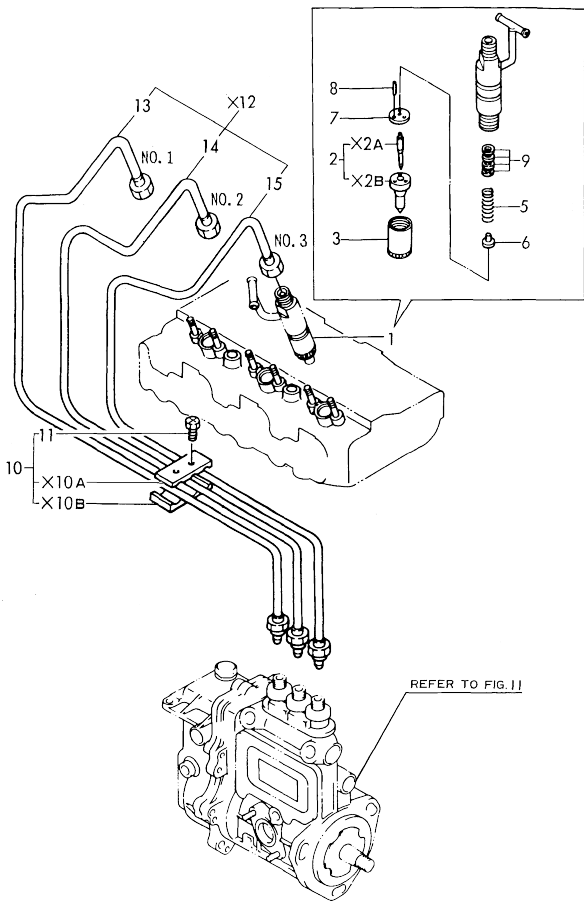


No.	Lev.	Parts No.	Description	Qty						I	R
				(A)	(B)	(C)	(D)	(E)	(F)		
46	3	129155-51940	SPACER, T=1.5	1							
47	3	22217-050000	WASHER, SPRING 5	2							Z
(A=FROM 1ST)											
48	3	22217-060000	WASHER, SPRING 6	2							
49	3	22351-050010	PIN, SPRING 5.0X10	2							
50	3	24101-063034	BEARING, BALL 6303	1							
51	3	24341-000160	O-RING, 1AS16.0	1							
52	3	129155-51020	STUD	2							
53	3	26022-050102	SCREW, M5X10	4							
54	3	26022-050102	SCREW, M5X10	4							
55	3	26022-060162	SCREW, M6X16	4							
56	3	26716-060002	NUT, M6	2							
57	3	26116-050302	BOLT, M5X 30 PLATED	2							
58	3	129155-51420	PLUG, M16	1							
59	3	43400-500490	SEAL WASHER 16	1							
60A	3	129100-52100	PUMP ASSY, FUEL FEED	1							
62	4	129158-52020	DIAPHRAGM	1							
64	4	129158-52060	COVER	1							
65	4	129158-52070	GASKET	1							
66	4	129158-52080	SCREW	6							
67	4	129158-52090	CAP	2							
68	4	129158-52160	SPRING	1							
69	4	129158-52250	TAPPET	1							
70	4	129158-52260	SPRING	1							
71	4	129158-52270	PIN	1							
72	4	129158-52350	LEVER	1							
73	4	129158-52360	SPRING, RETURN	1							
74	4	129158-52370	PIN	1							
75	4	129158-52380	O-RING	1							
76	3	129155-52050	GASKET	1							
78	1	129150-25900	GEAR, PUMP	1							
79	1	22217-120000	WASHER, SPRING 12	1							
80	1	26716-120002	NUT, M12	1							

Remarks
 (1) GOVERNOR ASSY(FIG.14) IS INCORPORATED IN THIS FUEL INJECTION PUMP ASSY(REF.NO.1,P/# 719869-51360).

Fig.12. FUEL INJECTION LINE

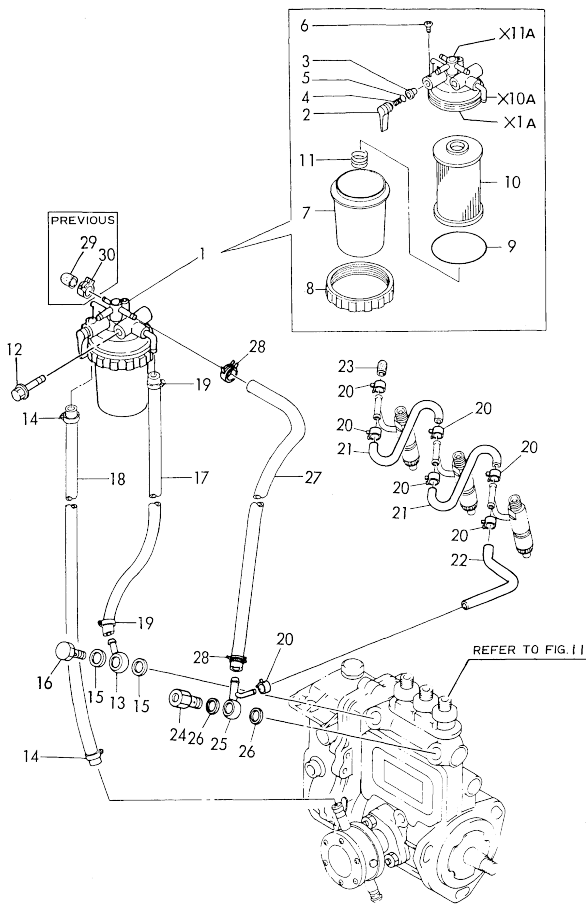
Fig. 12 FUEL INJECTION DEVICE



No.	Lev.	Parts No.	Description	Q'ty						I	R
				(A)	(B)	(C)	(D)	(E)	(F)		
1	1	729500-53200	VALVE ASSY,INJECTION	3							
2	2	129500-53050	VALVE ASSY,INJECTION	3							
3	2	114250-53080	NUT, NOZZLE D16.95	3							
5	2	114250-53120	SPRING, NOZZLE	3							
6	2	114250-53130	SEAT, SPRING	3							
7	2	114250-53140	PLATE	3							
8	2	114250-53210	PIN	6							
9	2	114250-53400	SHIM SET	3							
10	1	129150-59120	RETAINER, PIPE	1							
11	2	129150-59130	BOLT, M4X12	2							
13	2	119810-59810	PIPE ASSY, INJECTION	1							
14	2	119810-59820	PIPE ASSY, INJECTION	1							
15	2	119810-59830	PIPE ASSY, INJECTION	1							

Fig.13. FUEL LINE

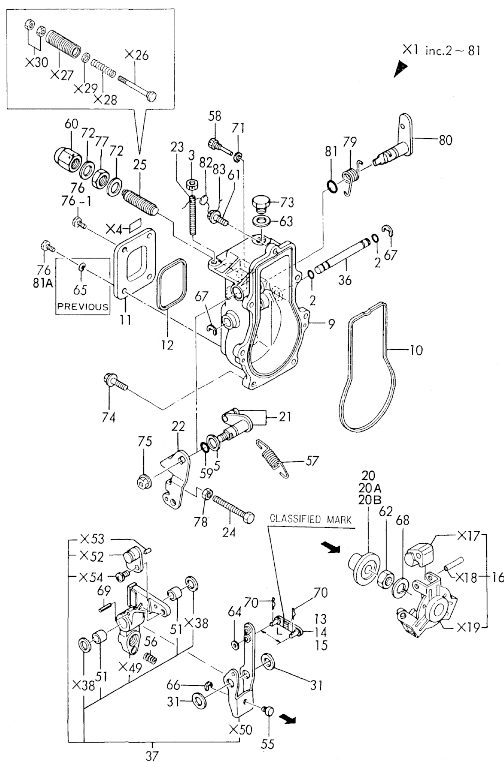
Fig. 13 FUEL LINE



No.	Lev.	Parts No.	Description	Q'ty						I	R
				(A)	(B)	(C)	(D)	(E)	(F)		
1	1	119810-55621	FILTER ASSY, FUEL	1							
2	2	119810-55340	LEVER	1							
3	2	104200-55321	VALVE, TAPER	1							
4	2	104200-55330	SPRING, VALVE	1							
5	2	24311-240100	O-RING, 1AP10A	1							
6	2	104200-55750	SCREW, M4	1							
7	2	121254-55510	COVER	1							
8	2	110250-55610	RING, RETAINING	1							
9	2	102103-55520	O-RING	1							
10	2	119810-55650	ELEMENT	1							
11	2	121250-55620	SPRING	1							
12	1	26014-080702	BOLT, M8X 70	1							
13	1	101304-59020	JOINT, PIPE 12	1							
14	1	23000-013000	CLAMP, 13	2							
14-1	1	124766-59050	CLIP, HOSE 12	2							N
(A=E/# 02742)											
15	1	104200-59170	GASKET, 12	2							
16	1	103854-39140	BOLT, PIPE JOINT	1							
17	1	129555-59510	PIPE, D13/7.5X180	1							
18	1	129255-59580	PIPE, FUEL	1							
18-1	1	105025-59530	PIPE, FUEL D13X400	1							N
(A=E/# 01993)											
18-2	1	105025-59750	PIPE, FUEL	1							N
(A=E/# 06839)											
19	1	124766-59050	CLIP, HOSE 12	2							
20	1	124066-59100	CLIP, HOSE 8	7							
21	1	121250-59550	PIPE, FUEL D8X120	2							
22	1	119840-59560	PIPE, FUEL RETURN	1							
23	1	129150-59580	CAP	1							
24	1	129100-59951	VALVE ASSY, CHECK	1							
25	1	119840-59570	JOINT	1							
26	1	23414-120000	GASKET, 12X1.0	2							
27	1	129255-59580	PIPE, FUEL	1							
27-1	1	105025-59750	PIPE, FUEL	1							N
(A=E/# 01993)											
28	1	124766-59050	CLIP, HOSE 12	2							
29	1	129150-59580	CAP	1							Z
(A=E/XXX)											
30	1	124066-59100	CLIP, HOSE 8	1							Z
(A=E/XXX)											

Fig.14. GOVERNOR

Fig. 14 GOVERNOR



Remarks

- 1)SELECTIVE PARTS : CERTAIN THE CLASSIFICATION MARK, THEN PLACE YOUR ORDER. (ILLUSTRATION)
 - 2)SELECTIVE PART.
- THIS FIG.(GOVERNOR ASSY) IS INCORPORATED IN THE FUEL INJECTION PUMP ASSY(FIG.NO.11).

(A)=3TNC78E-RDWB
(B)=
(C)=

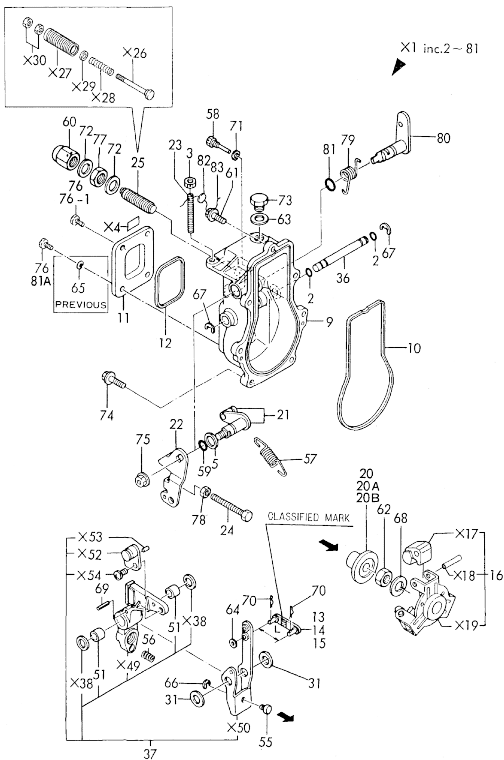
(D)=
(E)=
(F)=

No.	Lev.	Parts No.	Description	Qty						I	R
				(A)	(B)	(C)	(D)	(E)	(F)		
2	2	129155-51280	O-RING, S6	2							
3	2	124550-66370	NUT, M6	1							
5	2	129155-61430	SPACER	1							
9	2	129155-61011	CASE, GOVERNOR	1							
9-1	2	129155-61012	CASE, GOVERNOR	1							F
(A=E/# 02742)											
10	2	129155-61050	GASKET	1							
11	2	129155-61060	COVER, GOVERNOR CASE	1							
12	2	129155-61070	GASKET	1							
13	2	129155-61120	LINK, L=30 MARK 0	1							1
14	2	129155-61130	LINK, L=31 MARK 1	1							1
15	2	129155-61140	LINK, L=30.5 MARK 05	1							1
16	2	129155-61201	WEIGHT ASSY,GOVERNOR	1							
20	2	129155-61341	SLEEVE	1							2
20A	2	129155-61350	SLEEVE, L=24.9	1							W 2
(A=E/XXX)											
20B	2	129155-61360	SLEEVE, L=25.2	1							W 2
(A=E/XXX)											
21	2	129100-61400	SHAFT ASSY	1							
22	2	129100-61440	LEVER, CONTROL	1							
23	2	129155-61450	BOLT, LIMITER	1							
24	2	129155-61460	BOLT, IDLE	1							
25	2	129100-61450	LIMITER ASSY, FUEL	1							
31	2	129155-61480	SPACER ASSY	2							
36	2	129155-61490	SHAFT	1							
37	2	129500-61500	LEVER ASSY, GOVERNOR	1							
37-1	2	129500-61501	LEVER ASSY, GOVERNOR	1							F
(A=E/# 02742)											
51	3	129155-61530	BUSH	2							
51-1	3	119843-61550	BUSH	2							R
(A=E/# 02742)											
55	2	129155-61540	SHIFTER	1							
56	2	129100-61650	SPRING, CONTROLLER	1							
57	2	171353-61710	SPRING, GOVERNOR	1							
58	2	129155-61810	PIN	1							
59	2	129155-61830	O-RING, S10	1							
60	2	26687-120002	NUT, CAP M12	1							
60-1	2	129100-61930	NUT, CAP	1							N
(A=E/# 02742)											
61	2	129155-61950	BOLT	1							
62	2	26776-120002	NUT, LOCK M12	1							
63	2	43400-500430	SEAL WASHER 10	1							
64	2	22117-040000	WASHER, 4	1							
65	2	22217-050000	WASHER, SPRING 5	1							Z
(A=E/XXX)											
66	2	22272-000040	RING, E- 4	1							
67	2	22272-000060	RING, E- 6	2							
68	2	22287-120000	WASHER, 12	1							
69	2	22351-030016	PIN, SPRING 3.0X16	1							
70	2	22360-040000	PIN, SNAP 4	2							
70-1	2	22372-040000	PIN, SNAP 4	2							N

N:Old $\frac{REV}{100}$ New, Q:Old $\frac{REV}{100}$ New, R:Old $\frac{REV}{100}$ New, S:Old $\frac{REV}{100}$ New, W:Add, Z:Discontinued, F:Interchangeable by set, K:Qty Change
 ++ CONTINUE ++
 Copyright (C) YANMAR CO., LTD. All Rights Reserved.

Fig.14. GOVERNOR

Fig. 14 GOVERNOR



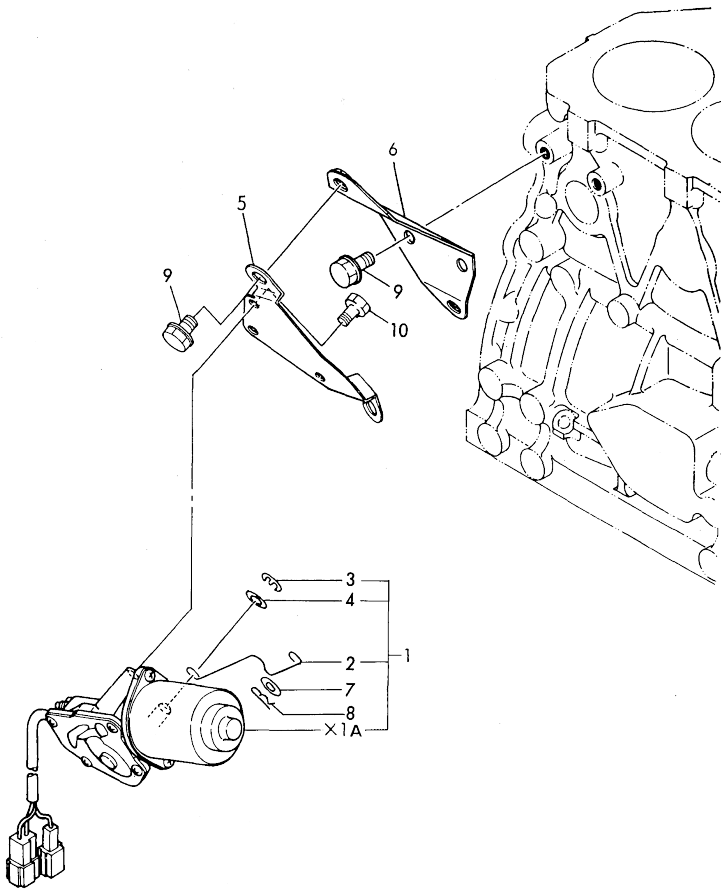
No.	Lev.	Parts No.	Description	Q'ty						I	R
				(A)	(B)	(C)	(D)	(E)	(F)		
		(A=E/# 02742)									
71	2	23414-050000	GASKET, 5X1.0	1							
71-1	2	43400-500390	SEAL WASHER 6	1							N
		(A=E/XXX)									
72	2	43400-500450	SEAL WASHER 12	2							
73	2	23887-100002	PLUG, 10	1							
74	2	26106-060202	BOLT, M6X 20 PLATED	6							
75	2	26366-080002	NUT, M8	1							
76	2	26022-050102	SCREW, M5X10	4							
76-1	2	26022-050102	SCREW, M5X10	2							K
		(A=E/# 02742)									
77	2	26776-120002	NUT, LOCK M12	1							
78	2	26756-060002	NUT, LOCK M6	1							
79	2	129100-61821	SPRING, RETURN	1							
80	2	129255-61802	LEVER, STOP	1							
81	2	24311-000080	O-RING, 1AP8.0	1							
81-1	2	24311-240100	O-RING, 1AP10A	1							N
		(A=E/XXX)									
81A	2	26023-050102	SCREW, M5X10	2							W
		(A=E/# 02742)									
82	1	135210-61090	LEAD	1							
83	1	22451-060000	WIRE, 0.6	1							

Remarks

- 1)SELECTIVE PARTS : CERTAIN THE CLASSIFICATION MARK, THEN PLACE YOUR ORDER. (ILLUSTRATION)
- 2)SELECTIVE PART.
THIS FIG.(GOVERNOR ASSY) IS INCORPORATED IN THE FUEL INJECTION PUMP ASSY(FIG.NO.11).

Fig.15. ENGINE STOP DEVICE

Fig. **15** ENGINE STOP DEVICE

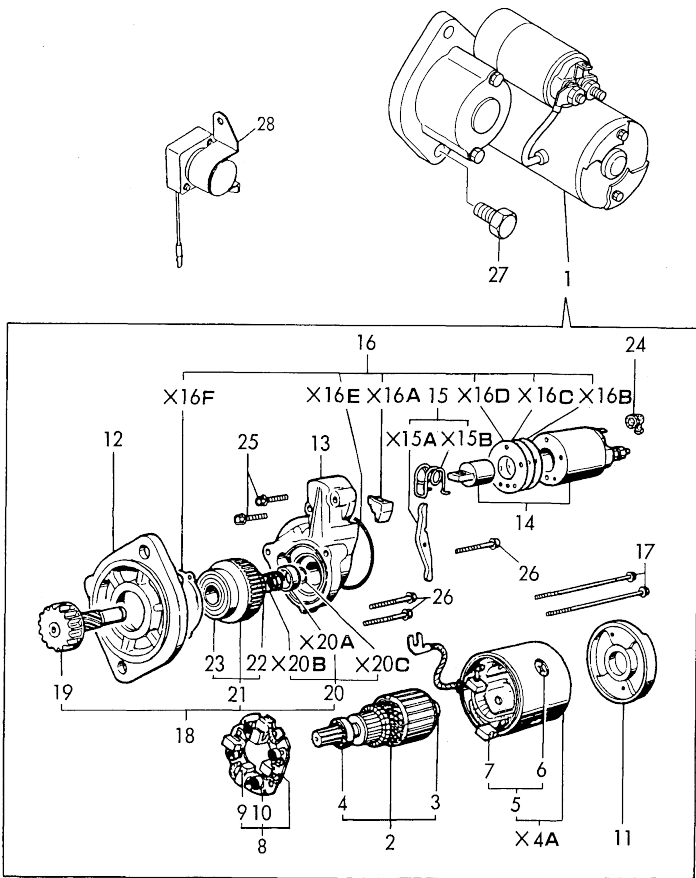


No.	Lev.	Parts No.	Description	Q'ty						I	R	
				(A)	(B)	(C)	(D)	(E)	(F)			
1	1	119840-66791	MOTOR ASSY, STOP	1								
2	2	119840-66830	SPRING, STOP MOTOR	1								
3	2	129566-66880	RING, SNAP	1								
4	2	129566-66890	WASHER	1								
5	1	119840-66810	BRACKET, STOP MOTOR	1								
6	1	119856-66811	BRACKET, STOP MOTOR	1								
7	1	22117-080000	WASHER, 8	1								
8	1	22360-080000	SNAP PIN 8	1								
9	1	26106-080122	BOLT, M8X 12 PLATED	4								
10	1	26116-050102	BOLT, M5X 10 PLATED	3								

N:Old $\frac{100}{100}$ New, Q:Old $\frac{100}{100}$ New, R:Old $\frac{100}{100}$ New, S:Old $\frac{100}{100}$ New, W:Add, Z:Discontinued, F:Interchangeable by set, K:Q'ty Change
 Copyright (C) YANMAR CO., LTD. All Rights Reserved.

Fig.16. STARTING MOTOR

Fig. **16** STARTING MOTOR

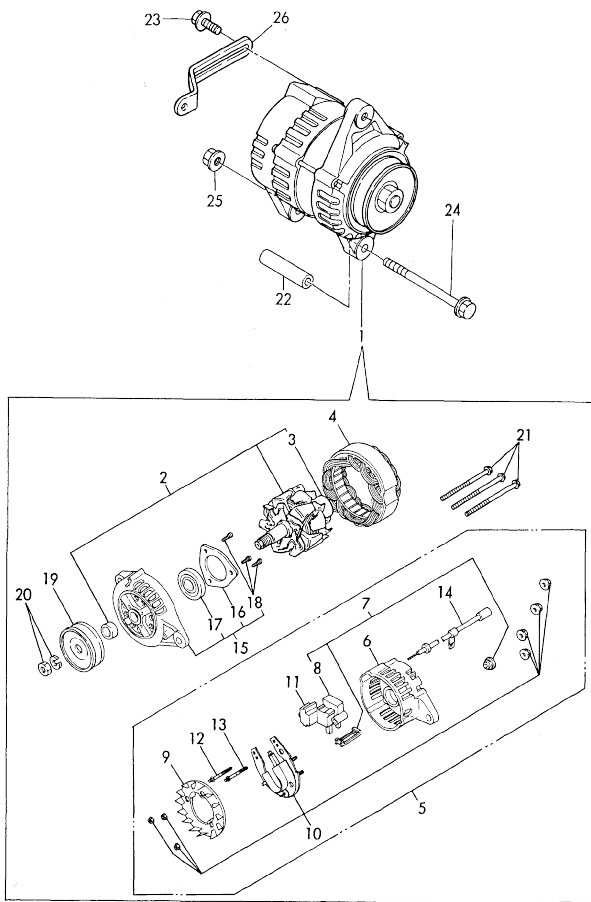


No.	Lev.	Parts No.	Description	Q'ty						I	R
				(A)	(B)	(C)	(D)	(E)	(F)		
1	1	171008-77010	STARTER, S114-483	1							
2	2	171008-77400	ARMATURE ASSY	1							
3	3	171008-77410	BEARING(1)	1							
4	3	171008-77420	BEARING(2)	1							
5	3	171008-77440	COIL ASSY, FIELD	1							
6	4	171008-77450	SCREW	4							
7	4	171008-77460	BRUSH (+)	2							
8	2	171008-77470	HOLDER ASSY, BRUSH	1							
9	3	171008-77480	BRUSH (-)	2							
10	3	171008-77490	SPRING, BRUSH	4							
11	2	171008-77500	COVER, REAR	1							
12	2	171008-77510	HOUSING ASSY, GEAR	1							
13	2	171008-77520	HOUSING, CENTER	1							
14	2	171008-77530	SWITCH, MAGNETIC	1							
15	2	171008-77540	LEVER SET, SHIFT	1							
16	2	171008-77570	COVER SET, DUST	1							
16-1	2	171008-77571	DUST COVER,(NON-ASB.)	1							N
(A=E# 01388)											
17	2	171008-77640	BOLT, THROUGH	2							
18	2	171008-77650	PINION ASSY	1							
19	3	171008-77660	SHAFT, PINION	1							
20	3	171008-77670	STOPPER SET, PINION	1							
21	3	171008-77720	CLUTCH ASSY	1							
22	4	171008-77730	BALL BEARING (3)	1							
23	4	171008-77740	BALL BEARING (4)	1							
24	2	171008-77750	COVER,M TERMINAL	1							
25	2	26106-060322	BOLT, M6X 32 PLATED	2							
26	2	26106-060402	BOLT, M6X 40 PLATED	3							
27	1	26116-120252	BOLT, M12X 25 PLATED	2							
28	1	129100-77910	RELAY, MAGNETIC	1							

N:Old $\frac{100}{100}$ New, Q:Old $\frac{100}{100}$ New, R:Old $\frac{100}{100}$ New, S:Old $\frac{100}{100}$ New, W:Add, Z:Discontinued, F:Interchangeable by set, K:Q'ty Change
 Copyright (C) YANMAR CO., LTD. All Rights Reserved.

Fig.17. GENERATOR

Fig. 17 GENERATOR

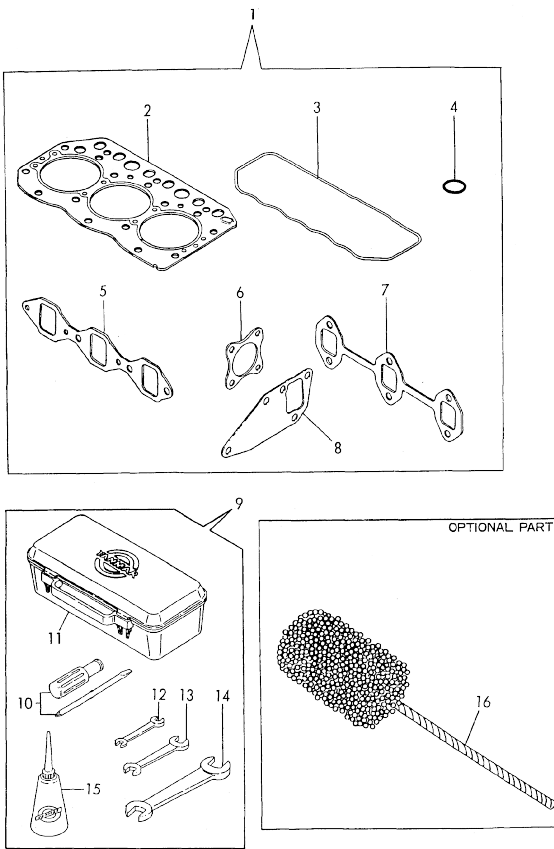


No.	Lev.	Parts No.	Description	Q'ty						I	R
				(A)	(B)	(C)	(D)	(E)	(F)		
1	1	119836-77200	GENERATOR	1							
2	2	119836-77700	ROTOR ASSY	1							
3	3	119836-77850	BALL BEARING	1							
4	2	119836-77710	STARTER ASSY	1							
5	2	119836-77721	COVER ASSY, REAR	1							
6	3	119836-77730	COVER ASSY, REAR	1							
7	3	119836-77741	BRUSH ASSY,REGULATOR	1							
8	4	119836-77750	BRUSH ASSY	1							
9	3	119836-77760	GUIDE, FAN SIDE	1							
10	3	119836-77770	DIODE ASSY	1							
11	3	119836-77780	CONDENSER	1							
12	3	119836-77871	BOLT (1)	1							
13	3	119836-77880	BOLT (2)	1							
14	3	119836-77890	WIRE ASSY, LEAD	1							
15	2	119836-77790	COVER ASSY, FRONT	1							
16	3	119836-77800	RETAINER, BEARING	1							
17	3	119836-77840	BALL BEARING	1							
18	3	119836-77860	SCREW KID	1							
19	2	119836-77810	PULLEY	1							
20	2	119836-77820	NUT ASSY, PULLEY	1							
21	2	119836-77830	BOLT, THROUGH	3							
22	1	119820-77340	PIECE, DISTANCE	1							
23	1	26014-080252	BOLT, M8X 25	1							
24	1	129136-77250	BOLT M 8X105	1							
25	1	26366-080002	NUT, M8	1							
26	1	129100-77330	ADJUSTER	1							

N:Old $\frac{100}{100}$ New, Q:Old $\frac{100}{100}$ New, R:Old $\frac{100}{100}$ New, S:Old $\frac{100}{100}$ New, W:Add, Z:Discontinued, F:Interchangeable by set, K:Q'ty Change
 Copyright (C) YANMAR CO., LTD. All Rights Reserved.

Fig.18. GASKET SET(OPTIONAL) & TOOL

Fig. **18** GASKET SET (OPTIONAL) & TOOL



No.	Lev.	Parts No.	Description	Q'ty						I	R
				(A)	(B)	(C)	(D)	(E)	(F)		
1	1	719811-92600	GASKET SET	1							1
2	2	119811-01330	GASKET, HEAD T=1.4	1							
3	2	119865-11310	GASKET, BONNET	1							
4	2	24311-000120	O-RING, 1AP12.0	1							
5	2	119810-12111	GASKET, MANIFOLD	1							
6	2	121000-13200	GASKET, SILENCER	1							
6-1	2	121000-13201	GASKET, SILENCER	1							N
(A=E# 06559)											
7	2	119810-13110	GASKET	1							
8	2	129150-42020	GASKET, WATER PUMP	1							
9	1	171001-93100	BOX, TOOL	1							
10	2	104200-92350	DRIVER, SCREW	1							
11	2	104200-92600	BOX, TOOL	1							
12	2	28110-100120	SPANNER, 10X12	1							
13	2	28110-140170	SPANNER, 14X17	1							
14	2	28110-190220	SPANNER, 19X22	1							
15	2	28210-000140	OILER	1							
16	1	129400-92410	FLEX HORN	1							1

Remarks
(1) OPTIONAL PART.

Parts No. Index

Parts No.	Fig. No.	Ref. No.
101158-11190	4	14
101304-59020	13	13
102103-55520	13	9
103854-39140	13	16
104200-22300	8	21
104200-55321	13	3
104200-55330	13	4
104200-55750	13	6
104200-59170	13	15
104200-92350	18	10
104200-92600	18	11
104211-11180	4	13
104211-11370	4	17
105025-59530	13	18 -1
105025-59750	13	18 -2
		27 -1
110250-55610	13	8
114250-53080	12	3
114250-53120	12	5
114250-53130	12	6
114250-53140	12	7
114250-53210	12	8
114250-53400	12	9
119600-34800	9	4
119620-01750	3	2
119620-02020	1	14
119620-49290	10	16
119625-11870	4	31
119625-11880	4	32
119625-11900	4	33
119629-44570	10	27
119629-49070	10	32
119629-49080	10	33
119640-12580	5	15
119640-12610	5	11
119810-01200	1	25
119810-01730	3	6
119810-01780	3	16
119810-01790	3	7 -1
119810-02870	1	27
119810-02940	1	23
119810-11100	4	10
119810-11110	4	11
119810-11120	4	12
119810-11240	4	20
119810-11300	4	39
119810-11350	4	38
119810-12111	5	1
	18	5
119810-13110	6	2

Parts No.	Fig. No.	Ref. No.
119810-13110	18	7
119810-14400	7	4
119810-14580	7	1
119810-23200	8	26
119810-23600	8	27 -1
119810-23610	8	29
119810-23910	8	31
119810-32000	9	1
119810-35400	9	14
119810-39200	9	18
119810-42001	10	1
119810-51040	11	2
119810-55340	13	2
119810-55621	13	1
119810-55650	13	10
119810-59810	12	13
119810-59820	12	14
119810-59830	12	15
119811-01330	1	26
	18	2
119811-22080	8	15
119811-22920	8	38
119820-77340	17	22
119836-77200	17	1
119836-77700	17	2
119836-77710	17	4
119836-77721	17	5
119836-77730	17	6
119836-77741	17	7
119836-77750	17	8
119836-77760	17	9
119836-77770	17	10
119836-77780	17	11
119836-77790	17	15
119836-77800	17	16
119836-77810	17	19
119836-77820	17	20
119836-77830	17	21
119836-77840	17	17
119836-77850	17	3
119836-77860	17	18
119836-77871	17	12
119836-77880	17	13
119836-77890	17	14
119840-21590	8	12 -1
119840-59560	13	22
119840-59570	13	25
119840-66791	15	1
119840-66810	15	5
119840-66830	15	2

Parts No.	Fig. No.	Ref. No.
119843-61550	14	51 -1
119856-66811	15	6
119860-01640	3	14
119860-01650	3	15
119865-11200	4	19
119865-11310	4	40
	18	3
119865-21600	8	14
119865-35300	9	9
119883-12210	5	4
119883-12560	5	30
119883-12570	5	31
119883-12810	5	19
119883-13500	6	8
119883-44500	10	23
119888-13101	6	1
121000-13200	6	7
	18	6
121000-13201	6	7 -1
	18	6 -1
121023-01550	2	21
121111-21501	8	11
121120-12541	5	7
121120-12561	5	8
121120-12571	5	9
121120-12901	5	12
121236-42290	10	6
121250-44590	10	30
121250-44901	10	20
121250-55620	13	11
121250-59550	13	21
121254-55510	13	7
121450-01560	2	4
121450-42450	10	19
121520-34810	9	5
121850-11860	4	5
121850-21680	8	10
121850-51960	2	9
122117-51560	11	33
122710-51090	11	5
124060-11800	4	37
124066-59100	13	20
		30
124160-01751	2	5
	4	38 A
124160-01910	1	5
124160-11340	4	15
124160-11360	4	47
124160-39140	9	17
124160-39450	9	19

Parts No.	Fig. No.	Ref. No.
124240-01871	2	6
124240-01883	2	7
124465-44950	10	21
		22
124550-51350	11	20
124550-51370	11	21
124550-59820	9	20
124550-66370	14	3
124574-44761	10	8
124722-49160	10	29
124736-07900	4	51
124766-59050	13	14 -1
		19
		28
124950-11340	4	16
124950-51190	11	10
128170-51300	11	17 -1
129100-01580	3	3
		13
		2
129100-22970	8	40
129100-25061	7	6
129100-52100	11	60 A
129100-59951	13	24
129100-61400	14	21
129100-61440	14	22
129100-61450	14	25
129100-61650	14	56
129100-61821	14	79
129100-61930	14	60 -1
129100-77330	17	26
129100-77910	16	28
129108-51100	11	6 -1
129120-77501	5	27
129129-44560	10	26
129129-44590	10	25
129132-12581	5	13
129132-12800	5	16
129132-12860	5	18
129132-12890	5	21
129132-12900	5	22
129136-12510	5	5
129136-12530	5	6
129136-77250	17	24
129150-02450	7	3 A
129150-03020	4	44
129150-03070	4	45
129150-03080	4	46
129150-03090	4	49
129150-03100	4	50

Parts No. Index

Parts No.	Fig. No.	Ref. No.
129150-11230	4	27
129150-11280	4	25
129150-11750	4	29
129150-14101	7	2
129150-14200	7	5
129150-25101	7	7
129150-25900	11	78
129150-32020	9	2
129150-35041	9	13
129150-35101	9	6
129150-35111	9	7
129150-35150	9	8
129150-35350	9	10
129150-42020	10	3
	18	8
129150-42320	10	1 J
129150-49080	10	31
129150-49811	10	14
129150-59120	12	10
129150-59130	12	11
129150-59580	13	23
		29
129150-77510	5	28
129150-77511	5	28 -1
129155-11260	4	23
129155-11270	4	24
129155-49800	10	13
129155-51020	11	52
129155-51050	11	3
129155-51060	11	4
129155-51140	11	7
129155-51180	11	9
129155-51200	11	11
129155-51250	11	13
129155-51270	11	15
129155-51280	11	16
	14	2
129155-51320	11	18
129155-51340	11	19
129155-51370	11	22
129155-51380	11	23
129155-51390	11	24
129155-51400	11	25
129155-51410	11	26
129155-51420	11	58
129155-51450	11	27
129155-51500	11	28
129155-51521	11	29
129155-51530	11	30
129155-51540	11	31

Parts No.	Fig. No.	Ref. No.
129155-51550	11	32
129155-51570	11	35
129155-51580	11	36
129155-51591	11	37
129155-51600	11	38
129155-51700	11	39
129155-51710	11	40
129155-51750	11	41
129155-51760	11	42
129155-51790	11	43
129155-51930	11	45
129155-51940	11	46
129155-52050	11	76
129155-61011	14	9
129155-61012	14	9 -1
129155-61050	14	10
129155-61060	14	11
129155-61070	14	12
129155-61120	14	13
129155-61130	14	14
129155-61140	14	15
129155-61201	14	16
129155-61341	14	20
129155-61350	14	20 A
129155-61360	14	20 B
129155-61430	14	5
129155-61450	14	23
129155-61460	14	24
129155-61480	14	31
129155-61490	14	36
129155-61530	14	51
129155-61540	14	55
129155-61810	14	58
129155-61830	14	59
129155-61950	14	61
129156-51910	11	44
129158-52020	11	62
129158-52060	11	64
129158-52070	11	65
129158-52080	11	66
129158-52090	11	67
129158-52160	11	68
129158-52250	11	69
129158-52260	11	70
129158-52270	11	71
129158-52350	11	72
129158-52360	11	73
129158-52370	11	74
129158-52380	11	75
129255-59580	13	18

Parts No.	Fig. No.	Ref. No.
129255-59580	13	27
129255-61802	14	80
129335-44740	10	9
129350-49530	10	11
129400-01520	2	3
129400-51100	11	6
129400-92410	18	16
129403-42380	10	7
129500-53050	12	2
129500-61500	14	37
129500-61501	14	37 -1
129505-51300	11	17
129555-59510	13	17
129566-66880	15	3
129566-66890	15	4
129792-22400	8	22
129795-01800	2	2
129795-01950	2	8
129795-02411	1	21
129795-21661	8	9
129795-49551	10	12
135210-61090	14	82
171001-93100	18	9
171008-77010	16	1
171008-77400	16	2
171008-77410	16	3
171008-77420	16	4
171008-77440	16	5
171008-77450	16	6
171008-77460	16	7
171008-77470	16	8
171008-77480	16	9
171008-77490	16	10
171008-77500	16	11
171008-77510	16	12
171008-77520	16	13
171008-77530	16	14
171008-77540	16	15
171008-77570	16	16
171008-77571	16	16 -1
171008-77640	16	17
171008-77650	16	18
171008-77660	16	19
171008-77670	16	20
171008-77720	16	21
171008-77730	16	22
171008-77740	16	23
171008-77750	16	24
171051-01921	1	4
171301-01600	3	1

Parts No.	Fig. No.	Ref. No.
171301-01640	3	8
171301-12701	5	2
171301-21650	8	8
171325-21590	8	12
171353-61710	14	57
174100-54120	11	14
174307-51170	11	8
174307-51560	11	34
194990-22050	6	3
22117-040000	14	64
22117-080000	15	7
22217-050000	11	47
	14	65
	11	48
22217-060000	11	79
22217-120000	14	66
22272-000040	14	67
22272-000060	14	68
22287-120000	14	69
22351-030016	8	7
22351-040010	11	49
22351-050010	4	18
22351-060012	14	70
22360-040000	15	8
22360-080000	14	70 -1
22372-040000	14	83
22451-060000	7	3
22512-070140	13	14
23000-013000	5	23
23000-060000	14	71
23414-050000	1	12
23414-080000	9	21
	9	22
23414-100000	13	26
23414-120000	1	6
23871-010000	4	6
23871-030000	10	2
	14	73
23887-100002	1	22
23887-120002	11	50
24101-063034	14	81
24311-000080	4	48
24311-000120	18	4
	2	10
24311-000160	9	11
	2	11
	4	43
24311-000320	13	5
24311-240100	14	81 -1
	11	51
24341-000160		

Parts No. Index

Parts No.	Fig. No.	Ref. No.
24341-000240	2	22
	3	10
24341-000500	4	41
26014-060122	10	28
26014-060252	10	10
26014-080252	17	23
26014-080702	13	12
26022-050102	11	53
		54
	14	76
		76 -1
26022-060162	11	55
26023-050102	14	81 A
26106-060122	2	23
26106-060142	5	24
26106-060202	14	74
26106-060322	16	25
26106-060402	16	26
26106-080122	2	12
	15	9
26106-080142	4	52
	5	25
26106-080162	1	24
	2	13
	3	11
	4	42
26106-080202	1	13
	2	19
	9	12
	10	15
26106-080252	4	34
	5	3
		26
		26 -1
26106-080302	3	17
26106-080352	3	18
	5	29
	9	16
	10	4
26106-080452	2	14
	3	12
	7	10
26106-080502	4	35
26106-080552	2	15
	10	5
26106-080602	6	4
26106-080852	2	16
26116-050102	15	10
26116-050302	11	57
26116-120252	16	27

Parts No.	Fig. No.	Ref. No.
26206-100252	3	4
26206-100302	3	5
26216-060302	4	7
26216-080222	6	5
26226-080182	4	30
26226-080602	6	6
26366-060002	4	36
26366-080002	2	17
	14	75
	17	25
26450-060252	9	3
26687-120002	14	60
26716-060002	11	56
26716-120002	11	80
26756-060002	14	78
26776-120002	14	62
		77
27231-500000	1	7
27241-100000	4	22
27241-120000	1	8
27241-220000	4	8
27241-300000	1	9
27241-400000	4	9
27310-070001	4	14 -1
28110-100120	18	12
28110-140170	18	13
28110-190220	18	14
28210-000140	18	15
43400-500390	14	71 -1
43400-500410	2	18
		20
	9	21 -1
43400-500430	14	63
43400-500450	14	72
43400-500490	11	59
711100-51540	11	12
719810-01500	2	1
719810-01541	3	7
719810-01650	3	14 -1
719810-02800	1	15
719810-02930	1	18
719810-11650	4	26 -1
719810-23100	8	23 -1
719810-23600	8	27
719810-23700	8	23
719811-01560	1	1
719811-11700	4	1
719811-21700	8	1
719811-22900	8	32
719811-92600	18	1

Parts No.	Fig. No.	Ref. No.
719865-11650	4	26
719869-51360	11	1
719883-51360	11	1 -1
729100-22500	8	17
729500-53200	12	1
729555-22950	8	34

Parts No.	Fig. No.	Ref. No.
-----------	----------	----------