

OCR10-M42800EN

# P R E F A C E

1. This Parts Catalog carries all parts incorporated in YANMAR Model 3TNC78E-SA, 3TNC78E-G1A & 3TNC78E-G2A engines manufactured since March, 1992.
2. Each illustration corresponds to the parts list on the following page.
3. When ordering parts, clearly write down the engine model and serial number, as well as the name and number of each part in your order sheet. This will help insure reliable delivery of the parts you have ordered.

## Directions for the Parts Catalog.

1. This Parts Catalog shows both standard and optional parts.
2. Parts may change without prior notice.
3. The following is an example of the Parts Catalog format.

REF.	LEV.	PARTS NO.	DESCRIPTION	Q'TY						I	R
				(A)	(B)	(C)	(D)	(E)	(F)		
1	1	729595-51390	FUEL INJECTION PUMP	1	1	1	1	1	1		1
1-1	1	729595-51391	FUEL INJECTION PUMP	1	1	1	1	1	1	N	1
		(A=E00185) (B=E00200)									
3	2	26022-060162	SCREW M 6X 16	9	9	9	9	9			
3-1	2	26022-060162	SCREW M 6X 16	4	4	4	4	4		K	
		(A=E00156) (B=E00156) (C=E00156) (D=E00156) (E=E00156)									
4	2	129470-51040	CAMSHAFT	1	1	1	1	1	1		
5	2	122710-51050	BEARING, ROLLER	2	2	2	2	2			
6	2	129470-51060	RETAINER	1	1	1	1	1			

Remarks
(1) BOOST COMPEMSATOR TYPE. OPTIONAL PART, TO E00155,(4JH-DT, 4JH-DTZ

### ① Ref. No.

The Ref. No. listed may not be in accordance with the illustration Ref. No.

(Ex.) Illustration No.

List Ref No.

1 1 (Before change) → 1-1 (After change)

For interchangeable symbols N, R and K, illustrations for new parts may be abbreviated.

### ② Lev. (Level)

Level indication

The numbers below indicate the level of relativity towards the main part.

1 ---- Main parts (Assembly parts)

2 ---- Sub component included in " 1 ".

3 ---- Sub component included in " 2 ".

Note) Parts that are not for sale are partially illustrated but not listed.

### ③ Interchangeability Symbol

When a part change takes place, one of the following interchangeability symbols is indicated beside the part.

Symbol	Interchangeability	Contents note
N	Old $\begin{matrix} \leftarrow \text{Yes} \\ \text{No} \rightarrow \end{matrix}$ New	New Part is interchangeable for Old Part but Old Part is not interchangeable for New Part.
Q	Old $\begin{matrix} \leftarrow \text{No} \\ \text{Yes} \rightarrow \end{matrix}$ New	New Part is not interchangeable for Old Part but Old Part is interchangeable for New Part.
R	Old $\begin{matrix} \leftarrow \text{Yes} \\ \text{Yes} \rightarrow \end{matrix}$ New	New/ Old Parts are both interchangeable.
S	Old $\begin{matrix} \leftarrow \text{No} \\ \text{No} \rightarrow \end{matrix}$ New	New/ Old Parts are both not interchangeable.
W		Part newly added.
Z		Part discontinued.
F		Not interchangeable by a single part but interchangeable together with related parts.
K		Changes only for used parts quantities.

### ④ Effective Machine No.

When a part changes, the effective Machine No. will be indicated in the (A)-(F) column.

Product Symbol	Product No.	Product Symbol	Product No.
C	Clutch No. Compressor No.	F	Machine No. (Agricultural Equip.)
D	Drive No.	M	Machine No.
E	Engine No.		

Note 1) A date may follow the symbol. (Ex.) 1996.01

Note 2) "XXXXX" and "ZZZZZ" are for parts that could not be predicted or for engine models that could not be identified.

Note 3) (A=E00185) is the E (Engine Serial Number) for the column (A) model (in this case 4JH-DT) after the parts design change.

### ⑤ Remarks

Figures or alphabets (symbols) are entered in the remarks column.

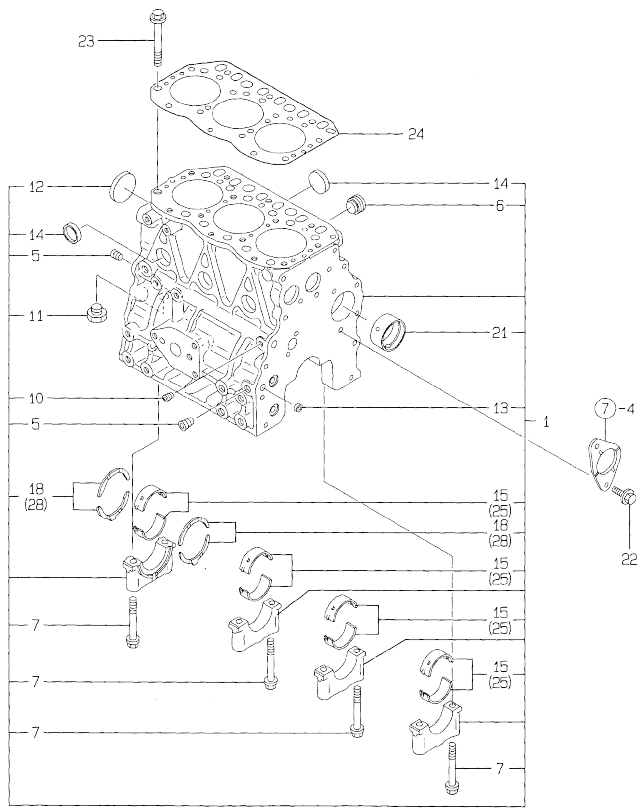
The comments (remarks) on parts that are indicated at the bottom of the illustration are the same symbols as those stated above.

## Contents

Fig. No.	Fig. Name	Fig. No.	Fig. Name
3TNC78E-SA/G1A/G2A		25.	GASKET SET & TOOL(OPTIONAL)
1.	CYLINDER BLOCK		
2.	GEAR HOUSING		
3.	FLYWHEEL HOUSING&LUB.OIL SUMP		
4.	CYLINDER HEAD & BONNET		
5.	SUCTION MANIFOLD & AIR CLEANER		
6.	EXHAUST MANIFOLD & SILENCER		
7.	CAMSHAFT & DRIVING GEAR		
8.	CRANKSHAFT & PISTON		
9.	LUB.OIL SYSTEM		
10.	COOLING WATER SYSTEM		
11.	RADIATOR		
12.	FUEL INJECTION PUMP		
13.	GOVERNOR(W/O STOP SOLENOID)		
14.	GOVERNOR(FOR STOP SOLENOID ENG		
15.	FUEL INJECTION VALVE		
16.	FUEL PIPE		
17.	ENGINE CONTROL DEVICE		
18.	ENGINE STOP DEVICE		
19.	STARTING MOTOR(STANDARD)		
20.	STARTING MOTOR(COLD DISTRICT)		
21.	STARTING MOTOR(STANDARD)		
22.	STARTING MOTOR (COLD DISTRICT)		
23.	GENERATOR		
24.	PANEL		

Fig.1. CYLINDER BLOCK

1. CYLINDER BLOCK



(A)=3TNC78E-SA  
(B)=3TNC78E-G1A  
(C)=3TNC78E-G2A

(D)=  
(E)=  
(F)=

No.	Lev.	Parts No.	Description	Q'ty						I	R
				(A)	(B)	(C)	(D)	(E)	(F)		
1	1	719811-01100	BLOCK ASSY, CYLINDER	1	1	1					
5	2	124160-01910	PLUG, PT1/4	2	2	2					
6	2	171051-01921	PLUG, NPTF1	1	1	1					
7	2	119620-02020	BOLT, METAL CAP	8	8	8					
10	2	23871-010000	PLUG, R01	1	1	1					
11	2	23887-120002	PLUG, 12	1	1	1					
12	2	27231-500000	PLUG 50	1	1	1					
13	2	27241-120000	PLUG, 12	2	2	2					
14	2	27241-300000	PLUG 30	6	6	6					
15	2	719810-02800	BEARING, MAIN	4	4	4					
18	2	719810-02930	BEARING, THRUST	2	2	2					
21	2	129795-02411	BUSH, CAMSHAFT	1	1	1					
22	1	26106-080162	BOLT, M8X 16 PLATED	2	2	2					
23	1	119810-01200	BOLT, HEAD	14	14	14					
24	1	119811-01330	GASKET, HEAD T=1.4	1	1	1					
25	1	119810-02870	BEARING, 0.25 US	4	4	4					1
28	1	119810-02940	BEARING, THRUST 0.25	2	2	2					2

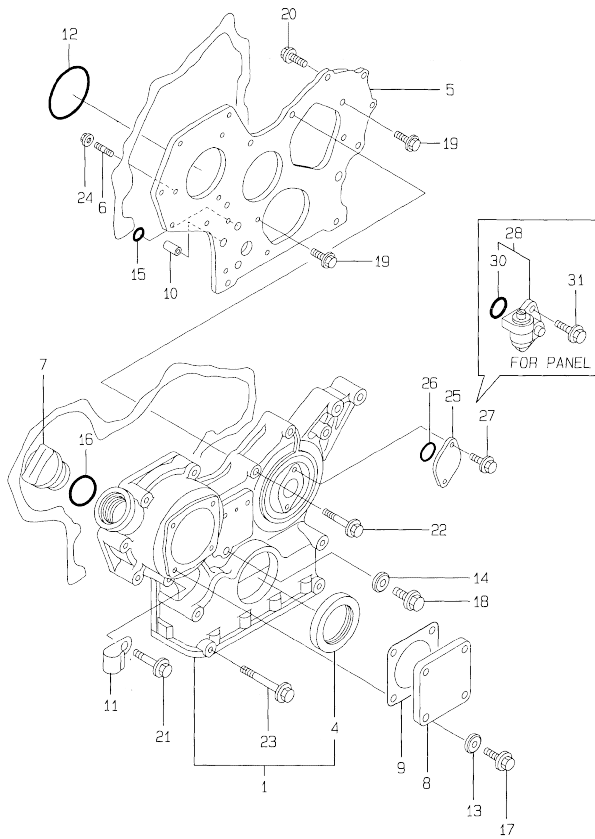
Remarks  
(1) UNDER-SIZED(U.S=0.25)PART.  
(2) OVER-SIZED(O.S=0.25)PART.

Fig.2. GEAR HOUSING

(A)=3TNC78E-SA  
(B)=3TNC78E-G1A  
(C)=3TNC78E-G2A

(D)=  
(E)=  
(F)=

2. GEAR HOUSING

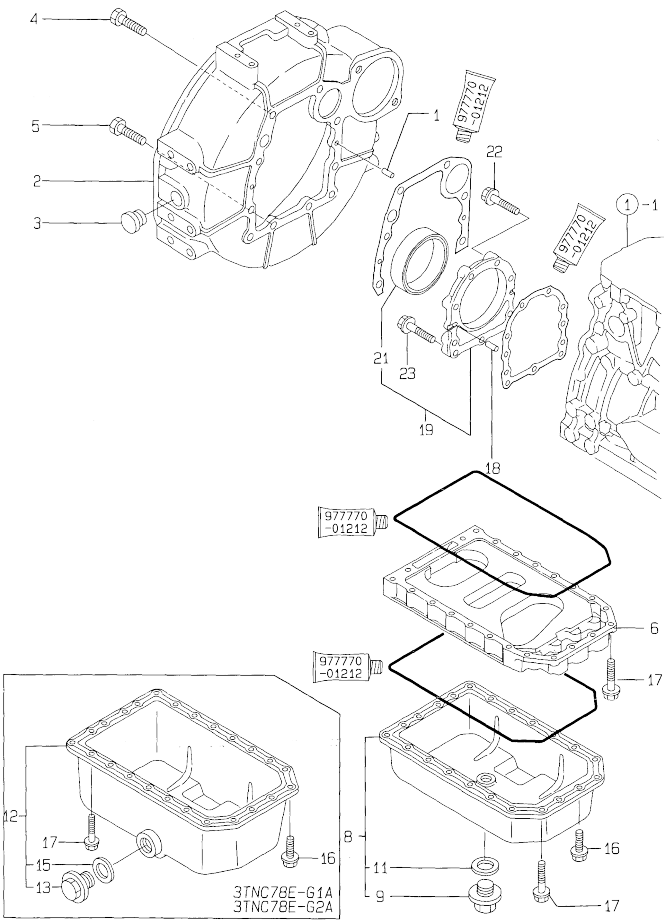


No.	Lev.	Parts No.	Description	Qty						I	R	
				(A)	(B)	(C)	(D)	(E)	(F)			
1	1	719810-01500	CASE ASSY, GEAR	1	1	1						
4	2	129795-01800	SEAL, OIL	1	1	1						
5	1	129400-01520	FLANGE, GEAR CASE	1	1	1						
6	1	121450-01560	STUD, M8X22	3	3	3						
7	1	124160-01751	COVER, FILLER	1	1	1						
8	1	124240-01871	COVER	1	1	1						
9	1	124240-01883	GASKET	1	1	1						
10	1	129795-01950	PIPE, KNOCK L=18	2	2	2						
11	1	129150-03100	RETAINER, PIPE	1	1	1						
12	1	121850-51960	O-RING	1	1	1						
13	1	22190-080002	WASHER, SEAL 6	4	4	4						
14	1	22190-080002	WASHER, SEAL 6	1	1	1						
15	1	24311-000160	O-RING, 1AP16.0	2	2	2						
16	1	24311-000320	O-RING, 1AP32.0	1	1	1						
17	1	26106-080122	BOLT, M8X 12 PLATED	4	4	4						
18	1	26106-080162	BOLT, M8X 16 PLATED	1	1	1						
19	1	26106-080162	BOLT, M8X 16 PLATED	3	3	3						
20	1	26106-080202	BOLT, M8X 20 PLATED	2	2	2						
21	1	26106-080452	BOLT, M8X 45 PLATED	6	6	6						
22	1	26106-080552	BOLT, M8X 55 PLATED	3	3	3						
23	1	26106-080852	BOLT, M8X 85 PLATED	4	4	4						
24	1	26366-080002	NUT, M8	3	3	3						
25	1	121023-01550	COVER	1	1	1						
26	1	24341-000240	O-RING, 1AS24.0	1	1	1						
27	1	26106-060122	BOLT, M6X 12 PLATED	2	2	2						
28	1	129150-91400	GEAR	1	1	1						1
30	2	24341-000240	O-RING, 1AS24.0	1	1	1						1
31	1	26106-060162	BOLT, M6X 16 PLATED	2	2	2						1

Remarks  
(1) FOR PANEL.

Fig.3. FLYWHEEL HOUSING&LUB.OIL SUMP

3.FLYWHEEL HOUSING & LUB.OIL SUMP

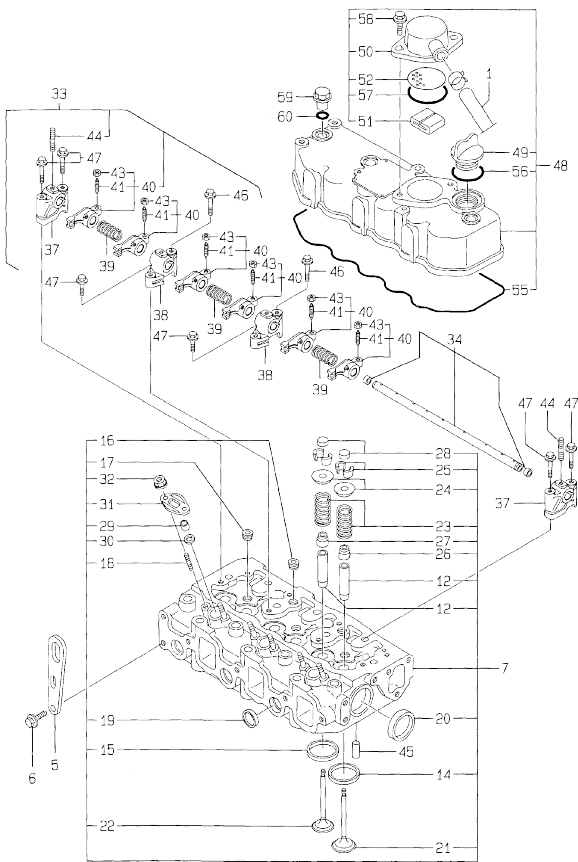


No.	Lev.	Parts No.	Description	Q'ty						I	R
				(A)	(B)	(C)	(D)	(E)	(F)		
1	1	129100-01580	PIN, M8X16		2	2	2				
2A	1	119888-01600	HOUSING, FLYWHEEL	1			1				
2B	1	171420-01600	HOUSING, FLYWHEEL			1					
3	1	119620-01750	CAP	1	1	1					
4	1	26206-100252	BOLT, M10X 25 PLATED	6	6	6					
5	1	26206-100302	BOLT, M10X 30 PLATED	4	4	4					
6	1	119810-01730	SPACER, OIL SUMP	1	1	1					
8	1	119810-01790	SUMP ASSY, OIL	1							
9	2	119640-01640	PLUG, DRAIN M22	1							
11	2	22190-220002	WASHER, SEAL 22	1							
12	1	119810-01770	SUMP ASSY, OIL		1	1					
13	2	119640-01640	PLUG, DRAIN M22		1	1					
15	2	22190-220002	WASHER, SEAL 22		1	1					
16	1	26106-080162	BOLT, M8X 16 PLATED	6	6	6					
17	1	26106-080452	BOLT, M8X 45 PLATED	22	22	22					
18	1	129100-01580	PIN, M8X16	2	2	2					
19	1	719810-01650	CASE ASSY, OIL SEAL	1	1	1					
21	2	119810-01780	SEAL, 769310	1	1	1					
22	1	26106-080302	BOLT, M8X 30 PLATED	6	6	6					
23	1	26106-080352	BOLT, M8X 35 PLATED	3	3	3					

N:Old  $\frac{New}{Old}$  New, Q:Old  $\frac{New}{Old}$  New, R:Old  $\frac{New}{Old}$  New, S:Old  $\frac{New}{Old}$  New, W:Add, Z:Discontinued, F:Interchangeable by set, K:Q'ty Change  
 Copyright (C) YANMAR CO., LTD. All Rights Reserved.

Fig.4. CYLINDER HEAD & BONNET

4. CYLINDER HEAD & BONNET



(A)=3TNC78E-SA  
(B)=3TNC78E-G1A  
(C)=3TNC78E-G2A

(D)=  
(E)=  
(F)=

No.	Lev.	Parts No.	Description	Q'ty						I	R
				(A)	(B)	(C)	(D)	(E)	(F)		
1	1	171350-03090	PIPE, BREATHER 900	1	1	1					
5	1	124736-07900	LIFTER	1	1	1					
6	1	26106-080142	BOLT, M8X 14 PLATED	2	2	2					
7A	1	119811-11700	HEAD ASSY, CYLINDER	1							
7B	1	119811-11710	HEAD ASSY, CYLINDER		1						
7C	1	719811-11720	HEAD ASSY, CYLINDER			1					
12	2	124060-11800	GUIDE, VALVE	6	6	6					1
14	2	119810-11080	SEAT, INTAKE VALVE								3
15	2	119810-11090	SEAT, EXHAUST VALVE								3
16	2	121850-11860	PLUG, PT1/4	2	2	2					
17	2	23871-030000	PLUG, R03	3	3	3					
18	2	26216-060302	STUD, M6X 30	6	6	6					
19	2	27241-220000	PLUG, 22	3	3	3					
20	2	27241-400000	PLUG, 40	2	2	2					
21	2	119810-11100	VALVE, INTAKE	3	3	3					
22A	2	119810-11110	VALVE, EXHAUST	3	3						
22B	2	119810-11130	VALVE, EXHAUST								3
23	2	119810-11120	SPRING, VALVE	6	6	6					
24	2	104211-11180	RETAINER, SPRING	6	6	6					
25	2	101158-11190	COTTER	6	6	6					
25-1	2	27310-070001	COTTER, 7	6	6	6					N
(A=EXXXXX) (B=EXXXXX) (C=EXXXXX)											
26	2	124160-11340	SEAL, VALVE STEM	3	3	3					
27	2	124950-11340	SEAL, VALVE STEM	3	3	3					
28	2	104211-11370	CAP, VALVE	6	6	6					
29	2	119625-11870	PROTECTOR, NOZZLE	3	3	3					
30	2	119625-11880	SEAT, NOZZLE	3	3	3					
31	2	119625-11900	RETAINER, NOZZLE	3	3	3					
32	2	26366-060002	NUT, M6	6	6	6					
33A	1	119865-11200	SUPPORT ASSY, ARM	1		1					
33B	1	119865-11210	SUPPORT ASSY			1					
34	2	119810-11240	SHAFT ASSY, ROCKER	1	1	1					
37	2	129155-11260	SUPPORT, ROCKER ARM	2	2	2					
38	2	129155-11270	SUPPORT, ROCKER ARM	2	2	2					
39	2	129150-11280	SPRING	3	3	3					
40A	2	719810-11650	ARM ASSY, ROCKER	6		6					
40B	2	719810-11660	ARM ASSY, ROCKER			6					
41	3	129150-11230	SCREW, VALVE ADJUST	6	6	6					
43	3	129150-11750	NUT, M8	6	6	6					
44	2	26226-080182	STUD, M8X 18	3	3	3					
45	1	22351-060012	PIN, SPRING 6.0X12	2	2	2					
46	1	26106-080252	BOLT, M8X 25 PLATED	2	2	2					
47	1	26106-080502	BOLT, M8X 50 PLATED	6	6	6					
48	1	119810-11350	BONNET ASSY, HEAD	1	1	1					
49	2	124160-01751	COVER, FILLER	1	1	1					
50	2	129150-03020	COVER, BREATHER	1	1	1					
51	2	129150-03070	BAFFLE, BREATHER	1	1	1					
52	2	129150-03080	PLATE, BAFFLE	1	1	1					
55	2	119865-11310	GASKET, BONNET	1	1	1					
56	2	24311-000320	O-RING, 1AP32.0	1	1	1					
57	2	24341-000500	O-RING, 1AS50.0	1	1	1					

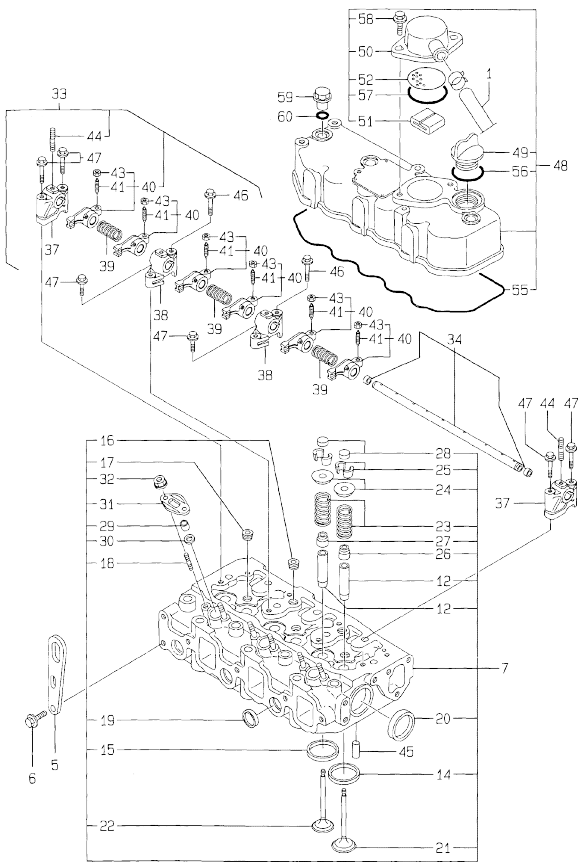
Remarks  
(1) REPAIR PART.

N:Old <sup>REV</sup>/<sub>REV</sub> New, Q:Old <sup>REV</sup>/<sub>REV</sub> New, R:Old <sup>REV</sup>/<sub>REV</sub> New, S:Old <sup>REV</sup>/<sub>REV</sub> New, W:Add, Z:Discontinued, F:Interchangeable by set, K:Q'ty Change  
++ CONTINUE ++  
Copyright (C) YANMAR CO., LTD. All Rights Reserved.



Fig.4. CYLINDER HEAD & BONNET

4. CYLINDER HEAD & BONNET



(A)=3TNC78E-SA  
(B)=3TNC78E-G1A  
(C)=3TNC78E-G2A

(D)=  
(E)=  
(F)=

No.	Lev.	Parts No.	Description	Q'ty					
				(A)	(B)	(C)	(D)	(E)	(F)
58	2	26106-080162	BOLT, M8X 16 PLATED	2	2	2			
59	1	124160-11360	KNOB	3	3	3			
60	1	24311-000120	O-RING, 1AP12.0	3	3	3			

Remarks  
(1) REPAIR PART.

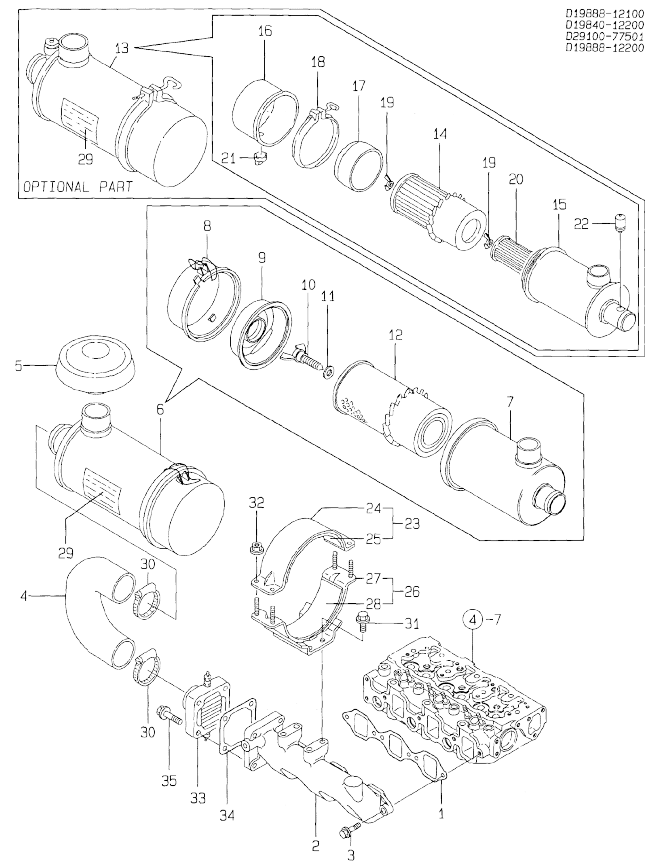
N:Old  $\frac{100}{100}$  New. Q:Old  $\frac{100}{100}$  New. R:Old  $\frac{100}{100}$  New. S:Old  $\frac{100}{100}$  New. W:Add. Z:Discontinued. F:Interchangeable by set. K:Q'ty Change  
Copyright (C) YANMAR CO., LTD. All Rights Reserved.

Fig.5. SUCTION MANIFOLD & AIR CLEANER

(A)=3TNC78E-SA  
(B)=3TNC78E-G1A  
(C)=3TNC78E-G2A

(D)=  
(E)=  
(F)=

5. SUCTION MANIFOLD & AIR CLEANER

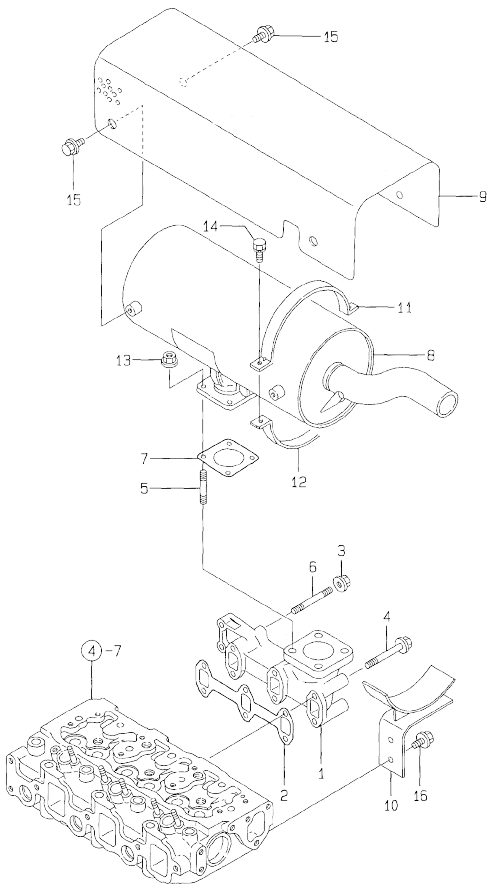


No.	Lev.	Parts No.	Description	Q'ty						I	R
				(A)	(B)	(C)	(D)	(E)	(F)		
1	1	119810-12111	GASKET, MANIFOLD	1	1	1					
2	1	171301-12701	MANIFOLD, AIR INTAKE	1	1	1					
3	1	26106-080252	BOLT, M8X 25 PLATED	4	4	4					
4	1	171351-12210	PIPE, AIR INTAKE	1	1	1					
5	1	121521-12400	CAP, RAIN	1	1	1					
6	1	129411-12500	CLEANER ASSY, AIR	1	1	1					
7	2	121252-12520	BODY, AIR CLEANER	1	1	1					
8	2	121137-12530	PAN ASSY, DUST	1	1	1					
9	2	121120-12540	RETAINER, ELEMENT	1	1	1					
10	2	121120-12560	BOLT	1	1	1					
11	2	121120-12570	WASHER, SEAL	1	1	1					
12	2	121120-12900	ELEMENT	1	1	1					
13	1	121521-12500	CLEANER ASSY, AIR	1	1	1					1
14	2	121420-12511	ELEMENT	1	1	1					1
15	2	171061-12520	BODY, CLEANER	1	1	1					1
16	2	121422-12530	CUP	1	1	1					1
17	2	121420-12540	SCARF, BAFFLE	1	1	1					1
18	2	121420-12550	CLAMP ASSY	1	1	1					1
19	2	121420-12561	NUT, WING	2	2	2					1
20	2	121422-12570	ELEMENT	1	1	1					1
21	2	121422-12580	VALVE, UNLOADER	1	1	1					1
22	2	126650-12680	INDICATOR	1	1	1					1
23	1	121400-12540	BAND ASSY, CLEANER	1	1	1					
24	2	121400-12560	BAND, AIR CLEANER	1	1	1					
25	2	121400-12570	SEAT, RUBBER B	1	1	1					
26	1	171351-12580	SUPPORT ASSY, CLEANER	1	1	1					
27	2	171351-12560	SUPPORT, AIR CLEANER	1	1	1					
28	2	171351-12570	SEAT, RUBBER	1	1	1					
29	1	129136-12600	LABEL, AIR CLEANER	1	1	1					
30	1	23000-060000	CLAMP, 60	2	2	2					
31	1	26106-080142	BOLT, M8X 14 PLATED	4	4	4					
32	1	26366-060002	NUT, M6	4	4	4					
33	1	129120-77501	HEATER	1	1	1					
34	1	129150-77511	GASKET	1	1	1					
35	1	26106-080352	BOLT, M8X 35 PLATED	4	4	4					

Remarks  
(1) OPTIONAL PART.

Fig.6. EXHAUST MANIFOLD & SILENCER

6. EXHAUST MANIFOLD & SILENCER



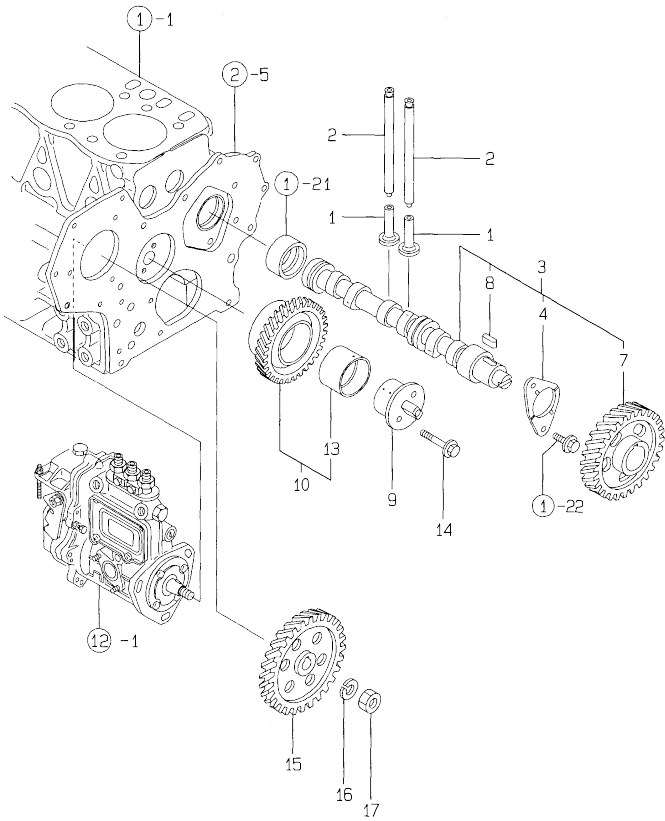
(A)=3TNC78E-SA  
(B)=3TNC78E-G1A  
(C)=3TNC78E-G2A

(D)=  
(E)=  
(F)=

No.	Lev.	Parts No.	Description	Q'ty						I	R
				(A)	(B)	(C)	(D)	(E)	(F)		
1	1	119888-13101	MANIFOLD, EXHAUST	1	1	1					
2	1	119810-13110	GASKET	1	1	1					
3	1	194990-22050	NUT, M8	2	2	2					
4	1	26106-080602	BOLT, M8X 60 PLATED	4	4	4					
5	1	26216-080222	STUD, M8X 22	4	4	4					
6	1	26216-080602	STUD, M8X 60	2	2	2					
7	1	121000-13201	GASKET, SILENCER	1	1	1					
8	1	119888-13500	SILENCER	1	1	1					
9	1	119888-13600	COVER, SILENCER	1	1	1					
10	1	119888-13651	STAY, SILENCER	1	1	1					
11	1	119888-13670	BAND, SILENCER	1	1	1					
12	1	119888-13680	BAND, SILENCER	1	1	1					
13	1	194990-22050	NUT, M8	4	4	4					
14	1	26014-080302	BOLT, M8X 30	2	2	2					
15	1	26106-080122	BOLT, M8X 12 PLATED	4	4	4					
16	1	26106-080142	BOLT, M8X 14 PLATED	2	2	2					

Fig.7. CAMSHAFT & DRIVING GEAR

7. CAMSHAFT & DRIVING GEAR



(A)=3TNC78E-SA  
(B)=3TNC78E-G1A  
(C)=3TNC78E-G2A

(D)=  
(E)=  
(F)=

No.	Lev.	Parts No.	Description	Q'ty						I	R
				(A)	(B)	(C)	(D)	(E)	(F)		
1	1	129150-14200	TAPPET	6	6	6					
2	1	119810-14400	ROD, PUSH	6	6	6					
3	1	119810-14580	CAMSHAFT ASSY	1	1	1					
4	2	129150-02450	BEARING, THRUST	1	1	1					
7	2	129150-14101	GEAR, CAMSHAFT	1	1	1					
8	2	22512-070140	KEY, 7X 14	1	1	1					
9	1	129100-25061	SHAFT, IDLE	1	1	1					
10	1	129150-25101	GEAR ASSY, IDLE	1	1	1					
13	2	129150-25920	BUSH, IDLE GEAR	1	1	1					1
14	1	26106-080452	BOLT, M8X 45 PLATED	2	2	2					
15A	1	129150-25900	GEAR, PUMP	1	1						
15B	1	129100-25900	GEAR, PUMP								1
16	1	22217-120000	WASHER, SPRING 12	1	1	1					
17	1	26716-120002	NUT, M12	1	1	1					

Remarks  
(1) REPAIR PART.

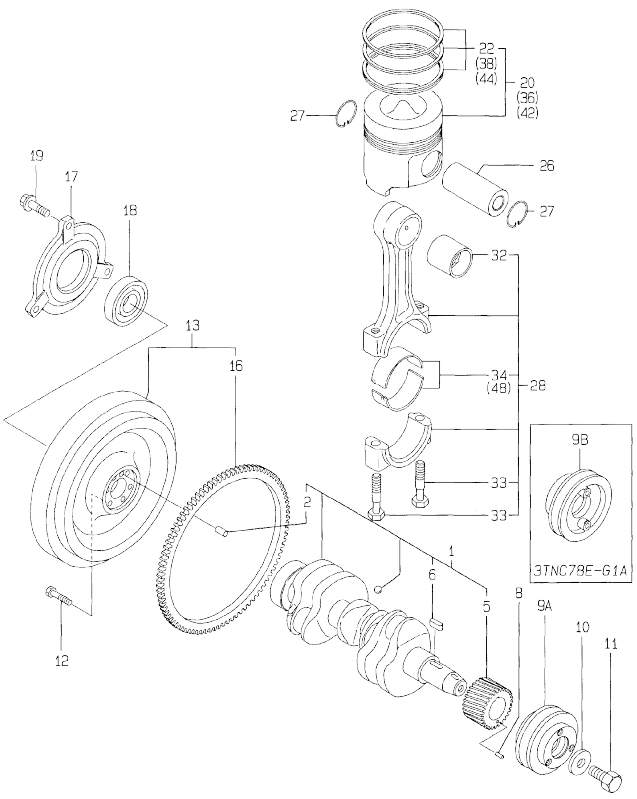
N:Old  $\frac{100}{100}$  New, Q:Old  $\frac{100}{100}$  New, R:Old  $\frac{100}{100}$  New, S:Old  $\frac{100}{100}$  New, W:Add, Z:Discontinued, F:Interchangeable by set, K:Qty Change  
Copyright (C) YANMAR CO., LTD. All Rights Reserved.

Fig.8. CRANKSHAFT & PISTON

(A)=3TNC78E-SA  
(B)=3TNC78E-G1A  
(C)=3TNC78E-G2A

(D)=  
(E)=  
(F)=

B. CRANKSHAFT & PISTON

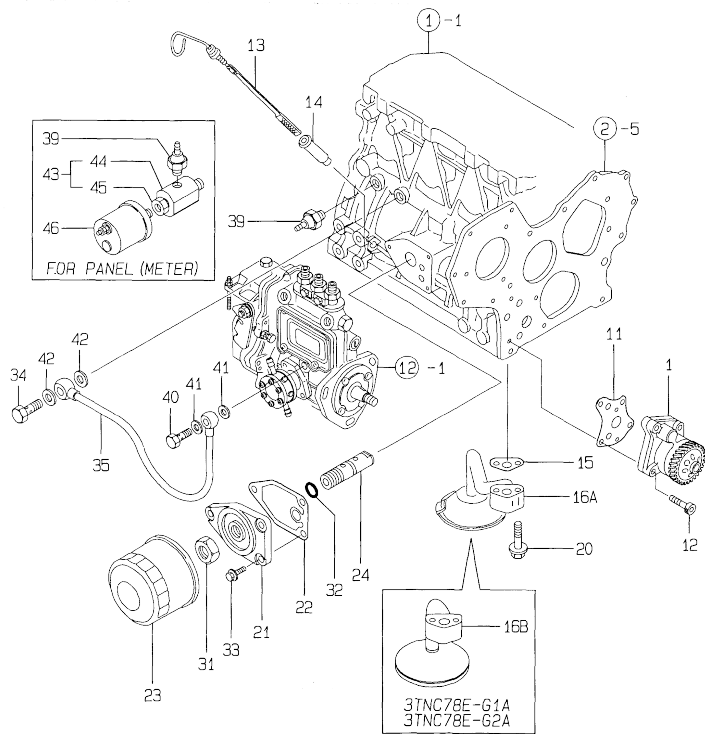


No.	Lev.	Parts No.	Description	Q'ty						I	R
				(A)	(B)	(C)	(D)	(E)	(F)		
1	1	719811-21700	CRANKSHAFT ASSY	1	1	1					
2	2	129100-01580	PIN, M8X16	1	1	1					
5	2	129150-21200	GEAR, CRANKSHAFT	1	1	1					
6	2	22512-070140	KEY, 7X 14	1	1	1					
8	1	22351-040010	PIN, SPRING 4.0X10	1	1	1					
9A	1	171301-21650	V-PULLEY	1							
9B	1	129550-21650	V-PULLEY			1					
10	1	129795-21661	WASHER	1	1	1					
11	1	121850-21680	BOLT	1	1	1					
12	1	121111-21501	BOLT, FLYWHEEL	6	6	6					
13A	1	119888-21590	FLYWHEEL ASSY	1							
13B	1	171301-21590	FLYWHEEL ASSY			1					
16A	2	119865-21600	GEAR, RING	1							
16B	2	124550-21600	GEAR, RING			1					
17	1	119888-21450	RETAINER, BEARING	1							
18	1	24104-062054	BEARING, BALL 6205UU	1							
19	1	26106-080222	BOLT, M8X 22 PLATED	3							
20A	1	119811-22080	PISTON ASSY	3	3						
20B	1	119811-22090	PISTON ASSY							3	
22A	2	119811-22500	RING SET, PISTON	3	3						
22B	2	729550-22500	RING SET, PISTON							3	
26	1	104200-22300	PIN, PISTON	3	3	3					
27	1	129792-22400	CIRCLIP, 23	6	6	6					
28	1	719810-23100	ROD ASSY, CONNECTING	3	3	3					
32	2	119810-23910	BEARING, PISTON PIN	3	3	3					1
33	2	119810-23200	BOLT, CONNECTING ROD	6	6	6					
34	2	119810-23600	BEARING, CRANK PIN	3	3	3					
36A	1	719811-22900	PISTON ASSY, 0.25 OS	3	3						2
36B	1	119811-22910	PISTON ASSY, 0.25 OS							3	2
38A	2	729555-22950	RING SET, 0.25 OS	3	3						2
38B	2	729550-22950	RING SET, 0.25 OS							3	2
42	1	119811-22920	PISTON ASSY, 0.50 OS	3	3						3
44	2	129100-22970	RING SET, 0.50 OS	3	3						3
48	1	119810-23610	BEARING, 0.25 US	3	3	3					4

- Remarks  
 (1) REPAIR PART.  
 (2) OVER-SIZED(O.S=0.25)PART.  
 (3) OVER-SIZED(O.S=0.50)PART.  
 (4) UNDER-SIZED(U.S=0.25)PART.

Fig.9. LUB.OIL SYSTEM

9.LUB.OIL SYSTEM



(A)=3TNC78E-SA  
(B)=3TNC78E-G1A  
(C)=3TNC78E-G2A

(D)=  
(E)=  
(F)=

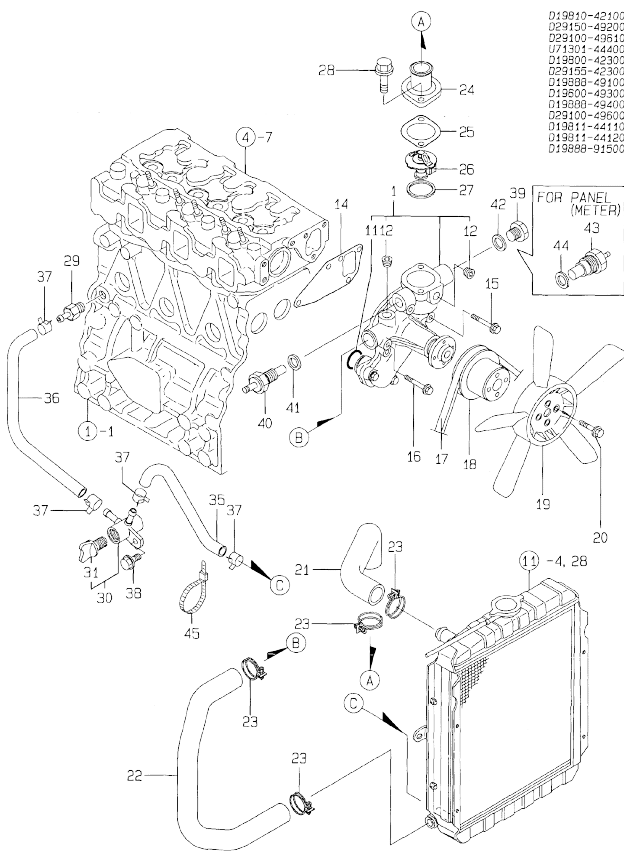
No.	Lev.	Parts No.	Description	Q'ty						I	R
				(A)	(B)	(C)	(D)	(E)	(F)		
1	1	119810-32000	PUMP ASSY, OIL	1	1	1					
11	1	129150-32020	GASKET, PUMP	1	1	1					
12	1	26450-060252	BOLT, M6X 25	4	4	4					
13	1	119600-34800	DIPSTICK, OIL	1	1	1					
14	1	121520-34810	GUIDE, DIPSTICK	1	1	1					
15	1	129150-35041	GASKET	1	1	1					
16A	1	119810-35400	PIPE ASSY, OIL INLET	1							
16B	1	119810-35300	PIPE ASSY, OIL INLET		1	1					
20	1	26106-080352	BOLT, M8X 35 PLATED	2	2	2					
21	1	129150-35101	BRACKET, STRAINER	1	1	1					
22	1	129150-35111	GASKET	1	1	1					
23	1	129150-35150	FILTER 90X80L	1	1	1					
24	1	119865-35300	VALVE ASSY, CONTROL	1	1	1					
31	1	129150-35350	NUT	1	1	1					
32	1	24311-000160	O-RING, 1AP16.0	1	1	1					
33	1	26106-080202	BOLT, M8X 20 PLATED	3	3	3					
34	1	124160-39140	BOLT, PIPE JOINT M10	1	1	1					
35	1	119810-39200	PIPE ASSY, OIL	1	1	1					
39	1	124160-39450	SWITCH, 0.5KG	1	1	1					
40	1	124550-59820	BOLT, PIPE JOINT M8	1	1	1					
41	1	22190-080002	WASHER, SEAL 6	2	2	2					
42	1	23414-100000	GASKET, 10X1.0	2	2	2					
43	1	171375-39600	DAMPER ASSY	1	1	1					1
44	2	129470-39610	DAMPER	1	1	1					1
45	2	23161-020100	BUSH, R1/4X1/8	1	1	1					1
46	1	144626-91560	SENSOR	1	1	1					1

Remarks  
(1) FOR PANEL(METER).

N:Old  $\frac{New}{Old}$  New, Q:Old  $\frac{New}{Old}$  New, R:Old  $\frac{New}{Old}$  New, S:Old  $\frac{New}{Old}$  New, W:Add, Z:Discontinued, F:Interchangeable by set, K:Qty Change  
Copyright (C) YANMAR CO., LTD. All Rights Reserved.

Fig.10. COOLING WATER SYSTEM

10.COOLING WATER SYSTEM

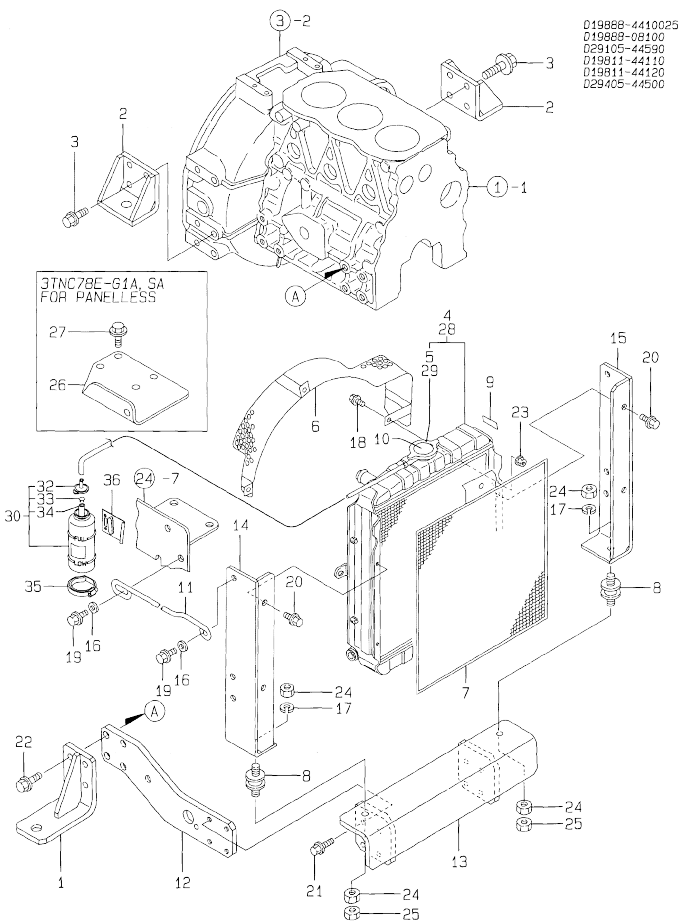


No.	Lev.	Parts No.	Description	Q'ty						I	R
				(A)	(B)	(C)	(D)	(E)	(F)		
1	1	119810-42001	PUMP ASSY, WATER	1	1	1					
11	2	129150-42320	O-RING	1	1	1					
12	2	23871-030000	PLUG, R03	2	2	2					
14	1	129150-42020	GASKET, WATER PUMP	1	1	1					
15	1	26106-080352	BOLT, M8X 35 PLATED	1	1	1					
16	1	26106-080552	BOLT, M8X 55 PLATED	3	3	3					
17	1	121236-42290	V-BELT, A39	1	1	1					
18A	1	129403-42380	V-PULLEY, D=110	1	1	1					
18B	1	129155-42350	V-PULLEY			1					
19	1	124700-44740	FAN, COOLING 5X310	1	1	1					
20	1	26014-060162	BOLT, M6X 16	4	4	4					
21	1	171301-49010	PIPE, WATER	1	1	1					
22	1	171301-49020	PIPE, WATER	1	1	1					
23	1	23010-038000	CLAMP, 38	4	4	4					
24	1	129350-49530	COVER, THERMOSTAT	1	1	1					
25	1	129795-49551	GASKET	1	1	1					
26	1	129155-49800	THERMOSTAT, 71	1	1	1					
27	1	129150-49811	GASKET, THERMOSTAT	1	1	1					
28	1	26106-080202	BOLT, M8X 20 PLATED	2	2	2					
29	1	121550-49111	JOINT, PT1/4	1	1	1					
30	1	129150-49100	COCK ASSY, 3-WAY	1	1	1					
31	2	129150-49080	COCK, DRAIN	1	1	1					
35	1	121520-49160	PIPE, WATER DRAIN	1	1	1					
36	1	121737-49160	PIPE, WATER DRAIN	1	1	1					
37	1	124766-59050	CLIP, HOSE 12	4	4	4					
38	1	26106-080162	BOLT, M8X 16 PLATED	1	1	1					
39	1	121450-42450	PLUG, M16	1	1	1					
40	1	121250-44901	SWITCH, 110	1	1	1					
41	1	124465-44950	GASKET, 16	1	1	1					
42	1	124465-44950	GASKET, 16	1	1	1					
43	1	124250-49351	SENSOR	1	1	1					1
44	1	129150-49360	GASKET	1	1	1					1
45	1	121750-59890	BAND, 140	1							

Remarks  
 (1) FOR PANEL(METER).

Fig.11. RADIATOR

11. RADIATOR



(A)=3TNC78E-SA  
(B)=3TNC78E-G1A  
(C)=3TNC78E-G2A

(D)=  
(E)=  
(F)=

No.	Lev.	Parts No.	Description	Qty						
				(A)	(B)	(C)	(D)	(E)	(F)	
1	1	119888-08100	FOOT		2	2				
2	1	119888-08110	FOOT		2	2				
3	1	26106-100202	BOLT, M10X 20 PLATED		8	8				
4	1	171301-44500	RADIATOR		1	1				
5	2	123682-44210	CAP, RADIATOR		1	1				
6	1	119888-44560	PROTECTOR, FAN		1	1				
7	1	121150-44580	SCREEN, 345X345		1	1				
8	1	121400-44650	ABSORBER		2	2				
9	1	124764-44800	LABEL		1	1				
10	1	124764-44920	LABEL, ANTI-FREEZING		1	1				
11	1	119888-44940	RETAINER, RADIATOR		1	1				
12	1	119888-44950	BRACKET		2	2				
13	1	119888-44960	BRACKET		1	1				
14	1	119888-44970	SUPPORT, A		1	1				
15	1	119888-44980	SUPPORT, B		1	1				
16	1	22137-080000	WASHER, 8		2	2				
17	1	22217-100000	WASHER, SPRING 10		2	2				
18	1	26106-080122	BOLT, M8X 12 PLATED		3	3				
19	1	26106-080162	BOLT, M8X 16 PLATED		2	2				
20	1	26106-080202	BOLT, M8X 20 PLATED		4	4				
21	1	26106-080252	BOLT, M8X 25 PLATED		8	8				
22	1	26206-120302	BOLT, M12X 30 PLATED		8	8				
23	1	26366-080002	NUT, M8		2	2				
24	1	26716-100002	NUT, M10		4	4				
25	1	26756-100002	NUT, LOCK M10		2	2				
26	1	129105-44590	SUPPORT, RADIATOR		1	1				
27	1	26106-080142	BOLT, M8X 14 PLATED		4	4				
28	1	119600-44500	RADIATOR							1
29	2	124450-44590	CAP, RADIATOR							1
30	1	124450-44510	TANK ASSY, SUB		1	1	1			
32	2	124450-44530	CAP		1	1	1			
33	2	124450-44560	RETAINER		1	1	1			
34	2	23061-070230	PIPE, 7X 230		1	1	1			
35	1	124450-44550	BAND		1	1	1			
36	1	121256-44600	BRACKET, SUB TANK		1	1	1			

N:Old  $\frac{100}{100}$  New, Q:Old  $\frac{100}{100}$  New, R:Old  $\frac{100}{100}$  New, S:Old  $\frac{100}{100}$  New, W:Add, Z:Discontinued, F:Interchangeable by set, K:Qty Change  
Copyright (C) YANMAR CO., LTD. All Rights Reserved.

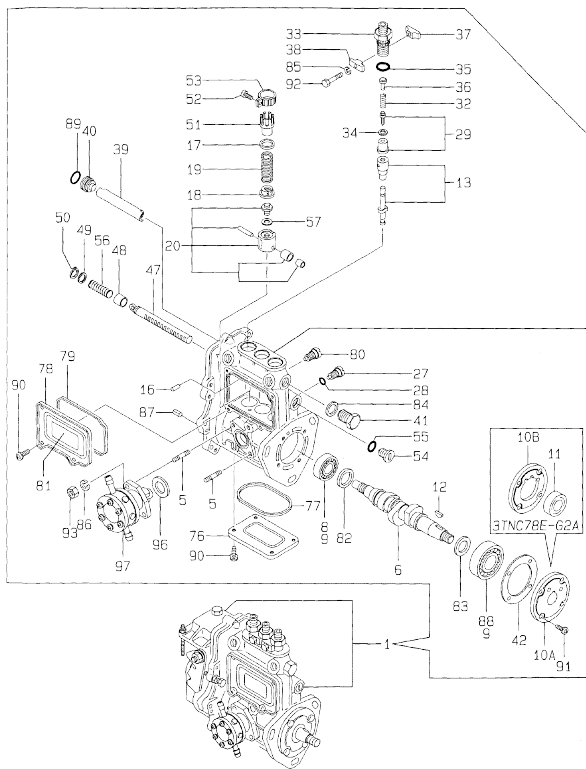


Fig.12. FUEL INJECTION PUMP

(A)=3TNC78E-SA  
(B)=3TNC78E-G1A  
(C)=3TNC78E-G2A

(D)=  
(E)=  
(F)=

12. FUEL INJECTION PUMP



No.	Lev.	Parts No.	Description	Q'ty						I	R
				(A)	(B)	(C)	(D)	(E)	(F)		
1A	1	719811-51350	PUMP ASSY, INJECTION	1							1
1B	1	729188-51380	PUMP ASSY, INJECTION	1							2
1C	1	729100-51300	PUMP ASSY, INJECTION		1						1
1D	1	729188-51330	PUMP ASSY, INJECTION		1						2
1E	1	729110-51410	PUMP ASSY, INJECTION				1				1
1F	1	729188-51430	PUMP ASSY, INJECTION				1				2
5	2	129155-51020	STUD	2	2	2					
6	2	119810-51040	CAMSHAFT	1	1	1					
8	2	129155-51050	BEARING, 17BM001D	1	1						
9	2	122710-51050	BEARING, HR30203J							2	
10A	2	129155-51060	SUPPORT, CAMSHAFT	1	1						
10B	2	129470-51060	RETAINER, BEARING							1	
11	2	129470-51080	SEAL, AF0741F0							1	
12	2	122710-51090	KEY	1	1	1					
13A	2	129400-51100	PLUNGER ASSY	3	3						
13B	2	129400-51200	PLUNGER ASSY							3	
16	2	129155-51140	PIN	3	3	3					
17	2	174307-51170	RETAINER, SPRING A	3	3	3					
18	2	129155-51180	RETAINER, SPRING	3	3	3					
19	2	124950-51190	SPRING, PLUNGER	3	3	3					
20	2	129155-51200	TAPPET ASSY	3	3	3					
27	2	129155-51270	STOPPER, TAPPET	3	3	3					
28	2	129155-51280	O-RING, S6	3	3	3					
29	2	128170-51300	VALVE ASSY, DELIVERY	3	3	3					
32	2	129155-51320	SPRING, DELIVERY	3	3	3					
33	2	129155-51340	RETAINER	3	3	3					
34	2	124550-51350	GASKET, DELIVERY	3	3	3					
35	2	124550-51370	O-RING	3	3	3					
36	2	129155-51370	STOPPER, VALVE	3	3	3					
37	2	129155-51380	STOPPER	2	2	2					
38	2	129155-51390	STOPPER	2	2	2					
39	2	129155-51400	DEFLECTOR	1	1	1					
40	2	129155-51410	BOLT	1	1	1					
41	2	129155-51420	PLUG, M16	1	1	1					
42	2	129155-51450	SHIM SET, ADJUSTING	1	1	1					
47	2	129155-51500	RACK, CONTROL	1	1	1					
48	2	129155-51521	BUSH, RACK	1	1	1					
49	2	129155-51530	SPACER	1	1	1					
50	2	129155-51540	CIRCLIP	1	1	1					
51	2	129155-51550	PINION, CONTROL	3	3	3					
52	2	122117-51560	SCREW	3	3	3					
53	2	174307-51560	PINION	3	3	3					
54	2	129155-51570	PLUG, M12	1	1	1					
55	2	129155-51580	O-RING	1	1	1					
56	2	129155-51591	SPRING, RACK	1	1	1					
57	2	129155-51600	SHIM SET, ADJUSTING	3	3	3					
76	2	129155-51700	COVER	1	1	1					
77	2	129155-51710	GASKET	1	1	1					
78	2	129155-51750	COVER	1	1	1					
79	2	129155-51760	GASKET	1	1	1					
80	2	129155-51790	STOOPER, RACK	1	1	1					

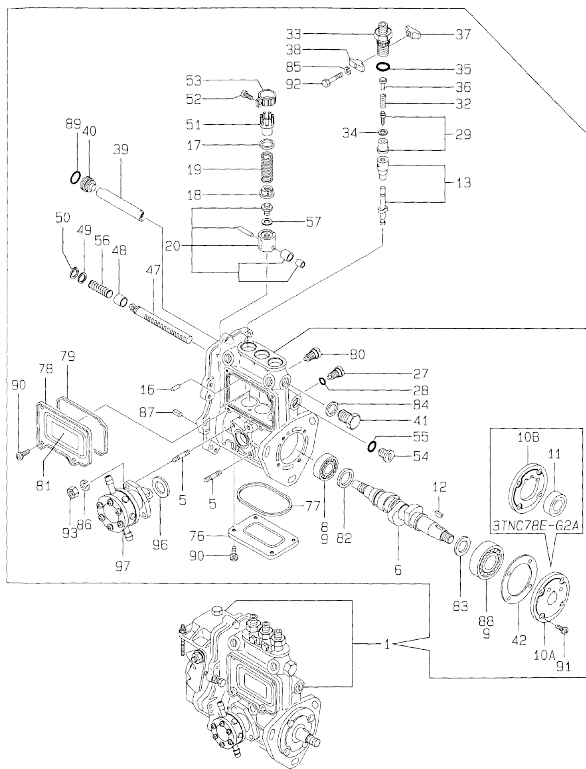
Remarks  
(1) GOVERNOR(FIG.NO.13)IS INCORPORATED IN THIS FUEL INJECTION PUMP. (REF.NO.1A,1C,1E)  
(2) GOVERNOR(FIG.NO.14)IS INCORPORATED IN THIS FUEL INJECTION PUMP. (REF.NO.1B,1D,1F).(FOR STOP MOTOR)

Fig.12. FUEL INJECTION PUMP

(A)=3TNC78E-SA  
(B)=3TNC78E-G1A  
(C)=3TNC78E-G2A

(D)=  
(E)=  
(F)=

12.FUEL INJECTION PUMP

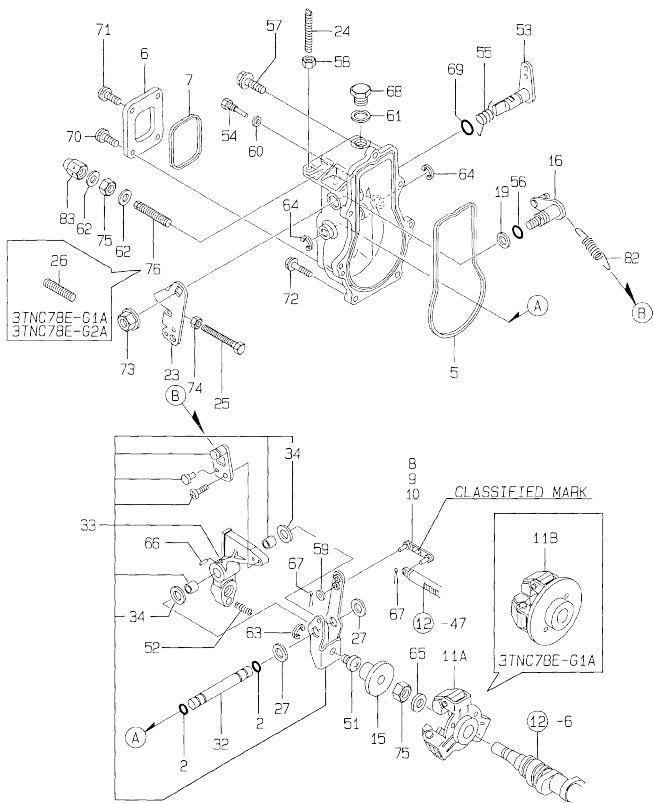


No.	Lev.	Parts No.	Description	Q'ty						
				(A)	(B)	(C)	(D)	(E)	(F)	
81	2	129156-51910	LABEL, CAUTION	1	1					
82	2	129155-51930	SPACER, T=3.25	1	1					
83	2	129155-51940	SPACER, T=1.5	1	1					
84	2	22190-160002	WASHER, SEAL 16	1	1	1				
85	2	22217-050000	WASHER, SPRING 5	2	2	2				
86	2	22217-060000	WASHER, SPRING 6	2	2	2				
87	2	22351-050010	PIN, SPRING 5.0X10	2	2	2				
88	2	24101-063034	BEARING, BALL 6303	1	1					
89	2	24341-000160	O-RING, 1AS16.0	1	1	1				
90	2	26022-050102	SCREW, M5X10	8	8	8				
91	2	26022-060162	SCREW, M6X16	4	4	4				
92	2	26116-050302	BOLT, M5X 30 PLATED	2	2	2				
93	2	26716-060002	NUT, M6	2	2	2				
96	2	129155-52050	GASKET	1	1	1				
97	2	129100-52100	PUMP ASSY, FUEL FEED	1	1	1				

Remarks  
(1) GOVERNOR(FIG.NO.13)IS INCORPORATED IN THIS FUEL INJECTION PUMP.  
(REF.NO.1A,1C,1E)  
(2) GOVERNOR(FIG.NO.14)IS INCORPORATED IN THIS FUEL INJECTION PUMP.  
(REF.NO.1B,1D,1F),(FOR STOP MOTOR).

Fig.13. GOVERNOR(W/O STOP SOLENOID)

13. GOVERNOR



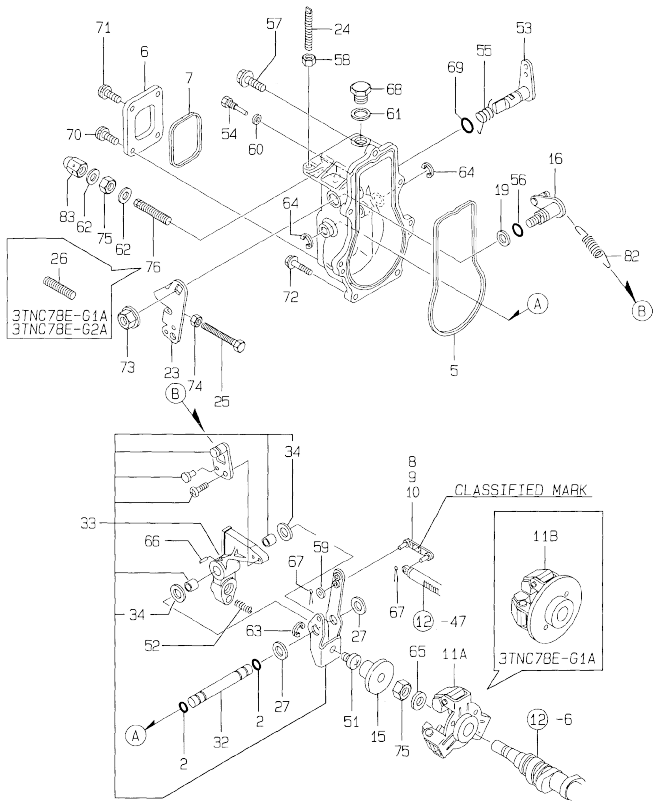
Remarks  
 (1) SELECTIVE PARTS: CERTAIN THE CLASSIFICATION MARK, THEN PLACE YOUR ORDER (REFER TO ILLUSTRATION)

No.	Lev.	Parts No.	Description	Q'ty						I	R
				(A)	(B)	(C)	(D)	(E)	(F)		
2	2	129155-51280	O-RING, S6	2	2	2					
5	2	129155-61050	GASKET	1	1	1					
6	2	129155-61060	COVER, GOVERNOR CASE	1	1	1					
7	2	129155-61070	GASKET	1	1	1					
8	2	129155-61120	LINK, L=30 MARK 0	1	1	1					1
9	2	129155-61130	LINK, L=31 MARK 1	1	1	1					1
10	2	129155-61140	LINK, L=30.5 MARK 05	1	1	1					1
11A	2	129155-61201	WEIGHT ASSY, GOVERNOR	1		1					
11B	2	171488-61200	WEIGHT ASSY, GOVERNOR			1					
15	2	129155-61341	SLEEVE	1	1	1					
16	2	129100-61400	SHAFT ASSY	1	1	1					
19	2	129155-61430	SPACER	1	1	1					
23	2	129100-61440	LEVER, CONTROL	1	1	1					
24	2	129155-61450	BOLT, LIMITER	1	1	1					
25	2	129155-61460	BOLT, IDLE	1	1	1					
26	2	129155-61470	BOLT, CONTROL			1					
27	2	129155-61480	SPACER ASSY	2	2	2					
32	2	129155-61490	SHAFT	1	1	1					
33A	2	129500-61501	LEVER ASSY, GOVERNOR	1							
33B	2	129100-61501	LEVER ASSY, GOVERNOR		1	1					
34	3	174307-51700	SHIM SET	2	2	2					
51	2	129155-61540	SHIFTER	1	1	1					
52A	2	129100-61650	SPRING, CONTROLLER	1							
52B	2	129500-61650	SPRING, FUEL CONTROL		1	1					
53A	2	129155-61802	LEVER, STOP	1		1					
53B	2	129400-61801	LEVER, STOP		1	1					
54	2	129155-61810	PIN	1	1	1					
55	2	129100-61821	SPRING, RETURN	1	1	1					
56	2	129155-61830	O-RING, S10	1	1	1					
57	2	129155-61950	BOLT	1	1	1					
58	2	124550-66370	NUT, M6	1	1	1					
59	2	22117-040000	WASHER, 4	1	1	1					
60	2	22190-060002	WASHER, SEAL 6	1	1	1					
61	2	22190-100002	WASHER, SEAL 10	1	1	1					
62	2	22190-120002	WASHER, SEAL 12	2	2	2					
63	2	22272-000040	RING, E- 4	1	1	1					
64	2	22272-000060	RING, E- 6	2	2	2					
65	2	22287-120000	WASHER, 12	1	1	1					
66	2	22351-030016	PIN, SPRING 3.0X16	1	1	1					
67	2	22372-040000	PIN, SNAP 4	2	2	2					
68	2	23887-100002	PLUG, 10	1	1	1					
69	2	24311-240100	O-RING, 1AP10A	1	1	1					
70	2	26022-050102	SCREW, M5X10	2	2	2					
71	2	26023-050102	SCREW, M5X10	2	2	2					
72	2	26106-060202	BOLT, M6X 20 PLATED	6	6	6					
73	2	26366-080002	NUT, M8	1	1	1					
74	2	26756-060002	NUT, LOCK M6	1	1	1					
75	2	26776-120002	NUT, LOCK M12	2	2	2					
76	1	129428-61450	LIMITER ASSY, FUEL	1							
82A	1	171353-61700	SPRING, GOVERNOR	1							
82B	1	129477-61720	SPRING, GOVERNOR			1					

N:Old, New, Q:Old, New, R:Old, New, S:Old, New, W:Add, Z:Discontinued, F:Interchangeable by set, K:Q'ty Change  
 ++ CONTINUE ++  
 Copyright (C) YANMAR CO., LTD. All Rights Reserved.

Fig.13. GOVERNOR(W/O STOP SOLENOID)

13. GOVERNOR



(A)=3TNC78E-SA  
(B)=3TNC78E-G1A  
(C)=3TNC78E-G2A

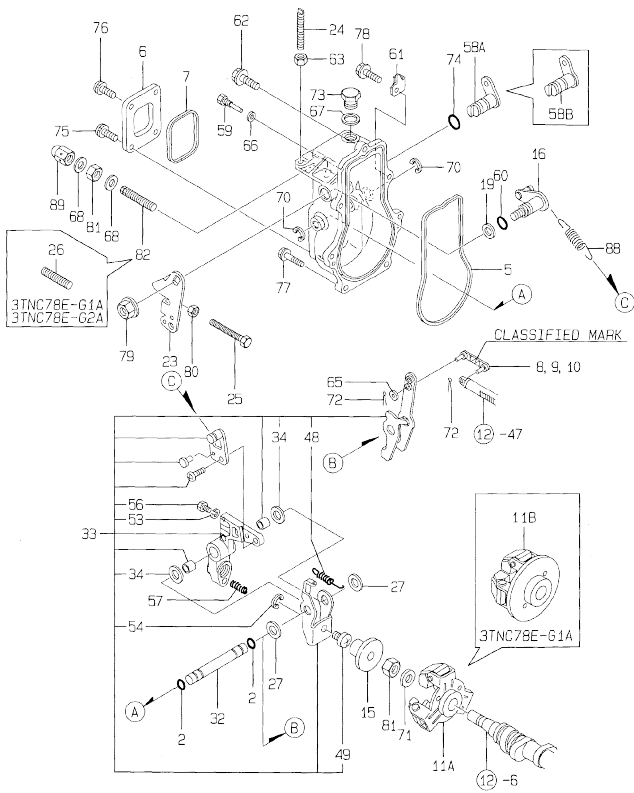
(D)=  
(E)=  
(F)=

No.	Lev.	Parts No.	Description	Q'ty						
				(A)	(B)	(C)	(D)	(E)	(F)	
82C	1	129500-61700	SPRING, GOVERNOR						1	
83	1	26687-120002	NUT, CAP M12	1	1				1	

Remarks  
(1) SELECTIVE PARTS: CERTAIN THE CLASSIFICATION MARK, THEN PLACE YOUR ORDER (REFER TO ILLUSTRATION)

Fig.14. GOVERNOR(FOR STOP SOLENOID ENG

14. GOVERNOR



Remarks  
 (1) SELECTIVE PARTS:CERTAIN THE CLASSIFICATION MARK THEN PLACE YOUR ORDER.(REFER TO ILLUSTRATION).

(A)=3TNC78E-SA  
 (B)=3TNC78E-G1A  
 (C)=3TNC78E-G2A

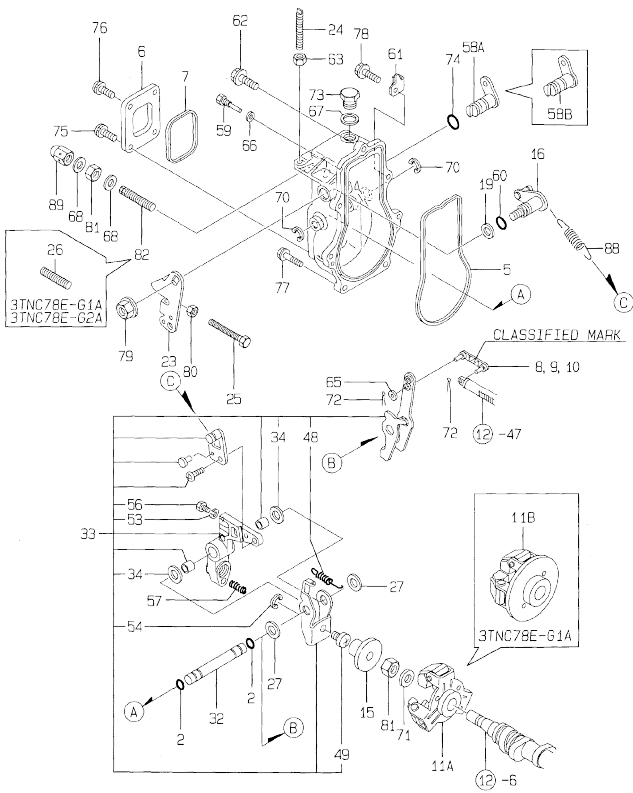
(D)=  
 (E)=  
 (F)=

No.	Lev.	Parts No.	Description	Q'ty						I	R
				(A)	(B)	(C)	(D)	(E)	(F)		
2	2	129155-51280	O-RING, S6	2	2	2					
5	2	129155-61050	GASKET	1	1	1					
6	2	129155-61060	COVER, GOVERNOR CASE	1	1	1					
7	2	129155-61070	GASKET	1	1	1					
8	2	129155-61120	LINK, L=30 MARK 0	1	1	1					1
9	2	129155-61130	LINK, L=31 MARK 1	1	1	1					1
10	2	129155-61140	LINK, L=30.5 MARK 05	1	1	1					1
11A	2	129155-61201	WEIGHT ASSY,GOVERNOR	1	1	1					
11B	2	171488-61200	WEIGHT ASSY,GOVERNOR			1					
15	2	129155-61341	SLEEVE	1	1	1					
16	2	129100-61400	SHAFT ASSY	1	1	1					
19	2	129155-61430	SPACER	1	1	1					
23	2	129100-61440	LEVER, CONTROL	1	1	1					
24	2	129155-61450	BOLT, LIMITER	1	1	1					
25	2	129155-61460	BOLT, IDLE	1	1	1					
26	2	129155-61470	BOLT, CONTROL			1					
27	2	129155-61480	SPACER ASSY	2	2	2					
32	2	129155-61490	SHAFT	1	1	1					
33A	2	119843-61500	LEVER ASSY, GOVERNOR	1							
33B	2	129116-61500	LEVER ASSY, GOVERNOR		1	1					
34	3	174307-51700	SHIM SET	2	2	2					
48	3	119843-61540	SPRING, SET	1	1	1					
49	3	129155-61540	SHIFTER	1	1	1					
53	3	22217-050000	WASHER, SPRING 5	1	1	1					
54	3	22272-000040	RING, E- 4	1	1	1					
56	3	26113-050082	BOLT, M5X 8	1	1	1					
57A	2	129100-61650	SPRING, CONTROLLER	1							
57B	2	129500-61650	SPRING, FUEL CONTROL		1	1					
58A	2	129116-61803	LEVER, STOP	1	1	1					
58B	2	129111-61802	LEVER ASSY, STOP			1					
59	2	129155-61810	PIN	1	1	1					
60	2	129155-61830	O-RING, S10	1	1	1					
61	2	129116-61890	SUPPORT	1	1	1					
62	2	129155-61950	BOLT	1	1	1					
63	2	124550-66370	NUT, M6	1	1	1					
65	2	22117-040000	WASHER, 4	1	1	1					
66	2	22190-060002	WASHER, SEAL 6	1	1	1					
67	2	22190-100002	WASHER, SEAL 10	1	1	1					
68	2	22190-120002	WASHER, SEAL 12	2	2	2					
70	2	22272-000060	RING, E- 6	2	2	2					
71	2	22287-120000	WASHER, 12	1	1	1					
72	2	22372-040000	PIN, SNAP 4	2	2	2					
73	2	23887-100002	PLUG, 10	1	1	1					
74	2	24311-240100	O-RING, 1AP10A	1	1	1					
75	2	26022-050102	SCREW, M5X10	2	2	2					
76	2	26023-050102	SCREW, M5X10	2	2	2					
77	2	26106-060202	BOLT, M6X 20 PLATED	5	5	5					
78	2	26106-060252	BOLT, M6X 25 PLATED	1	1	1					
79	2	26366-080002	NUT, M8	1	1	1					
80	2	26756-060002	NUT, LOCK M6	1	1	1					
81	2	26776-120002	NUT, LOCK M12	2	2	2					

N:Old  $\frac{New}{Old}$  New, Q:Old  $\frac{New}{Old}$  New, R:Old  $\frac{New}{Old}$  New, S:Old  $\frac{New}{Old}$  New, W:Add, Z:Discontinued, F:Interchangeable by set, K:Q'ty Change  
 ++ CONTINUE ++  
 Copyright (C) YANMAR CO., LTD. All Rights Reserved.

Fig.14. GOVERNOR(FOR STOP SOLENOID ENG

14. GOVERNOR



(A)=3TNC78E-SA  
(B)=3TNC78E-G1A  
(C)=3TNC78E-G2A

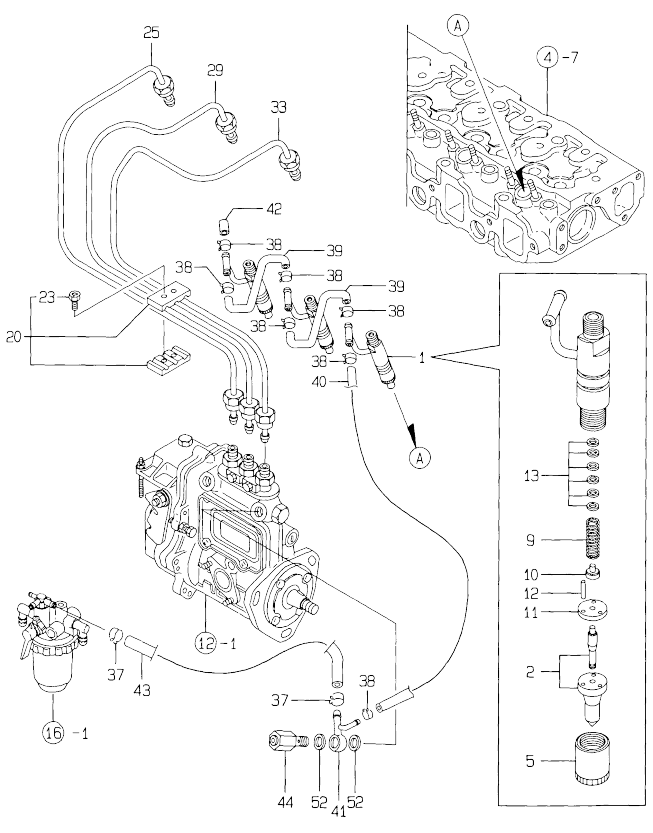
(D)=  
(E)=  
(F)=

No.	Lev.	Parts No.	Description	Q'ty						
				(A)	(B)	(C)	(D)	(E)	(F)	
82	1	129100-61450	LIMITER ASSY. FUEL	1						
88A	1	171353-61700	SPRING, GOVERNOR	1						
88B	1	129477-61720	SPRING, GOVERNOR		1					
88C	1	129500-61700	SPRING, GOVERNOR			1				
89	1	26687-120002	NUT, CAP M12	1	1	1				

Remarks  
(1) SELECTIVE PARTS:CERTAIN THE CLASSIFICATION MARK THEN PLACE YOUR ORDER.(REFER TO ILLUSTRATION).

Fig.15. FUEL INJECTION VALVE

15. FUEL INJECTION VALVE



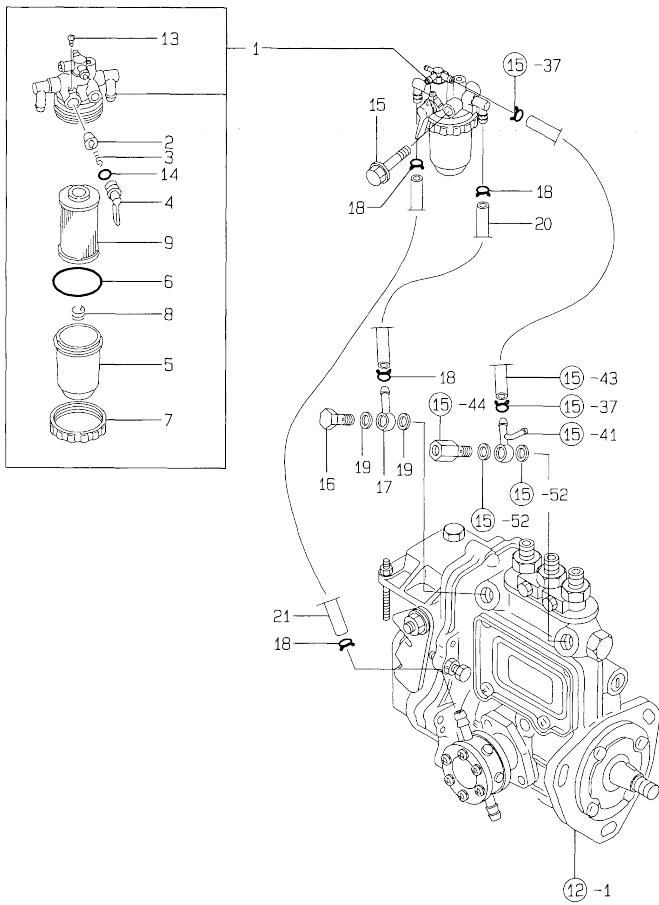
No.	Lev.	Parts No.	Description	Qty						I	R
				(A)	(B)	(C)	(D)	(E)	(F)		
1A	1	729500-53200	VALVE ASSY,INJECTION	3							
1B	1	719800-53300	VALVE ASSY,INJECTION		3						M
1B-1	1	719800-53100	VALVE ASSY,INJECTION		3						M
1C	1	729500-53300	VALVE ASSY,INJECTION				3				
1C-1	1	729500-53100	VALVE ASSY,INJECTION				3				
2A	2	129500-53050	VALVE ASSY,INJECTION	3							
2B	2	119800-53000	VALVE ASSY,INJECTION		3						
2C	2	129500-53000	VALVE ASSY,INJECTION				3	3			
5	2	114250-53080	NUT, NOZZLE D16.95	3	3	3					
9	2	114250-53120	SPRING, NOZZLE	3	3	3					
10	2	114250-53130	SEAT, SPRING	3	3	3					
11	2	114250-53140	PLATE	3	3	3					
12	2	114250-53210	PIN	6	6	6					
13	2	114250-53400	SHIM SET	3	3	3					
20	1	129150-59120	RETAINER, PIPE	1	1	1					
23	2	129150-59130	BOLT, M4X12	2	2	2					
25A	1	119810-59810	PIPE ASSY, INJECTION	1	1						
25B	1	119811-59810	PIPE ASSY, INJECTION							1	
29A	1	119810-59820	PIPE ASSY, INJECTION	1	1						
29B	1	119811-59820	PIPE ASSY, INJECTION							1	
33A	1	119810-59830	PIPE ASSY, INJECTION	1	1						
33B	1	119811-59830	PIPE ASSY, INJECTION							1	
37	1	124766-59050	CLIP, HOSE 12	2	2	2					
38	1	124066-59100	CLIP, HOSE 8	7	7	7					
39	1	121250-59550	PIPE, FUEL D8X120	2	2	2					
40	1	119840-59560	PIPE, FUEL RETURN	1	1	1					
41	1	119840-59570	JOINT	1	1	1					
42	1	129150-59580	CAP	1	1	1					
43	1	105025-59750	PIPE, FUEL	1	1	1					
44	1	129100-59951	VALVE ASSY, CHECK	1	1	1					
52	1	23414-120000	GASKET, 12X1.0	2	2	2					

Remarks  
(M) MISPRINT.

N:Old  $\frac{100}{100}$  New, Q:Old  $\frac{100}{100}$  New, R:Old  $\frac{100}{100}$  New, S:Old  $\frac{100}{100}$  New, W:Add, Z:Discontinued, F:Interchangeable by set, K:Qty Change  
Copyright (C) YANMAR CO., LTD. All Rights Reserved.

Fig.16. FUEL PIPE

16. FUEL LINE



(A)=3TNC78E-SA  
(B)=3TNC78E-G1A  
(C)=3TNC78E-G2A

(D)=  
(E)=  
(F)=

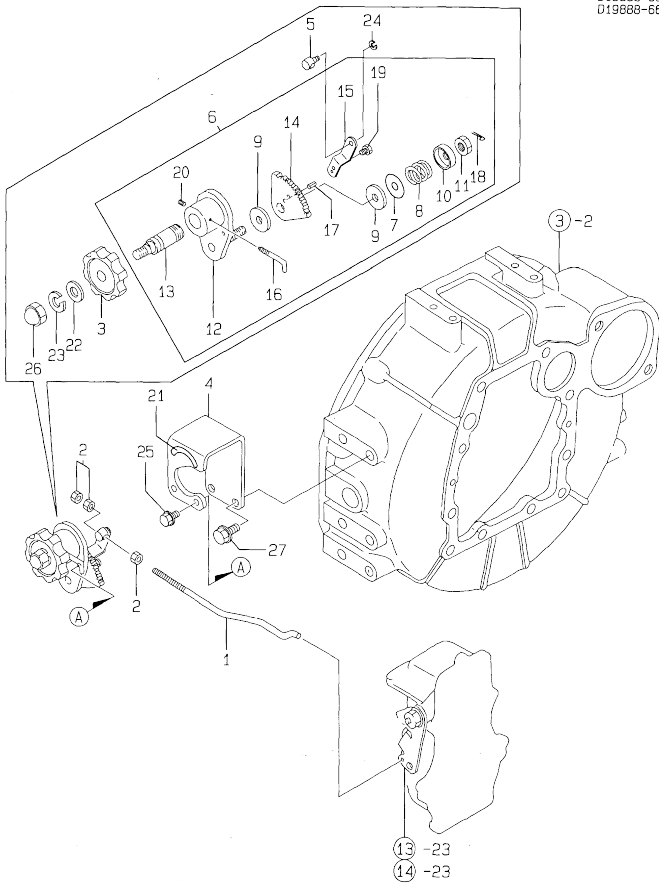
No.	Lev.	Parts No.	Description	Q'ty						I	R
				(A)	(B)	(C)	(D)	(E)	(F)		
1	1	119810-55621	FILTER ASSY, FUEL	1	1	1					
2	2	104200-55321	VALVE, TAPER	1	1	1					
3	2	104200-55330	SPRING, VALVE	1	1	1					
4	2	119810-55340	LEVER	1	1	1					
5	2	121254-55510	COVER	1	1	1					
6	2	102103-55520	O-RING	1	1	1					
7	2	110250-55610	RING, RETAINING	1	1	1					
8	2	121250-55620	SPRING	1	1	1					
9	2	119810-55650	ELEMENT	1	1	1					
13	2	104200-55750	SCREW, M4	1	1	1					
14	2	24311-240100	O-RING, 1AP10A	1	1	1					
15	1	26014-080702	BOLT, M8X 70	1	1	1					
16	1	103854-39140	BOLT, PIPE JOINT	1	1	1					
17	1	101304-59020	JOINT, PIPE 12	1	1	1					
18	1	124766-59050	CLIP, HOSE 12	4	4	4					
19	1	104200-59170	GASKET, 12	2	2	2					
20	1	129555-59510	PIPE, D13/7.5X180	1	1	1					
21	1	105025-59750	PIPE, FUEL	1	1	1					



Fig.17. ENGINE CONTROL DEVICE

17.ENGINE CONTROL DEVICE

D19888-66100  
D19888-66200  
D19888-66210



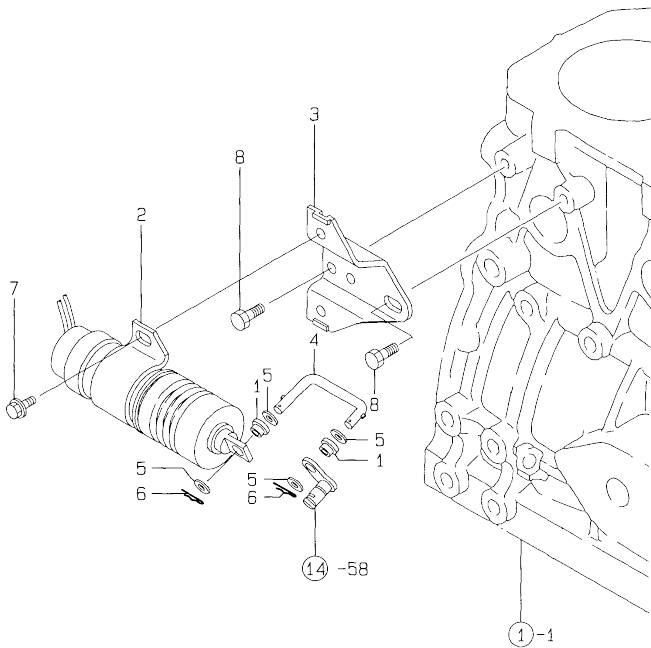
(A)=3TNC78E-SA  
(B)=3TNC78E-G1A  
(C)=3TNC78E-G2A

(D)=  
(E)=  
(F)=

No.	Lev.	Parts No.	Description	Qty						I	R
				(A)	(B)	(C)	(D)	(E)	(F)		
1A	1	119888-66120	LINK, ENGINE CONTROL	1							
1B	1	119888-66150	LINK		1						
2	1	26756-050002	NUT, LOCK M5	3	3	3					
3	1	126650-66020	HANDLE, REGULATOR	1	1	1					
4	1	119888-66110	BRACKET	1	1	1					
5	1	119888-66130	PIVOT	1	1	1					
6	1	171048-67010	CONTROLLER ASSY	1	1	1					
7	2	171102-66080	WASHER	1	1	1					
8	2	104200-66820	SPRING	1	1	1					
9	2	104200-66830	PLATE, FRICTION	2	2	2					
10	2	104200-66850	WASHER	1	1	1					
11	2	104200-66860	NUT	1	1	1					
12	2	171085-67100	BRACKET	1	1	1					
13	2	171085-67110	SHAFT, DRIVE	1	1	1					
14	2	171085-67120	GEAR	1	1	1					
15	2	171048-67130	LEVER	1	1	1					
16	2	171048-67140	STOPPER	1	1	1					
17	2	22351-020006	PIN, SPRING 2.0X 6	1	1	1					
18	2	22411-200150	COTTER PIN 2.0X15	1	1	1					
19	2	26116-060082	BOLT, M6X 8 PLATED	1	1	1					
20	2	26921-050122	SCREW, M5X12	1	1	1					
21	1	170064-67210	LABEL, HANDLE	1	1	1					
22	1	22117-100000	WASHER, 10	1	1	1					
23	1	22217-100000	WASHER, SPRING 10	1	1	1					
24	1	22272-000050	RING, E- 5	1	1	1					
25	1	26106-060102	BOLT, M6X 10 PLATED	2	2	2					
26	1	26657-100002	NUT, CAP M10	1	1	1					
27	1	26106-080162	BOLT, M8X 16 PLATED	2	2	2					

Fig.18. ENGINE STOP DEVICE

18.ENGINE STOP DEVICE



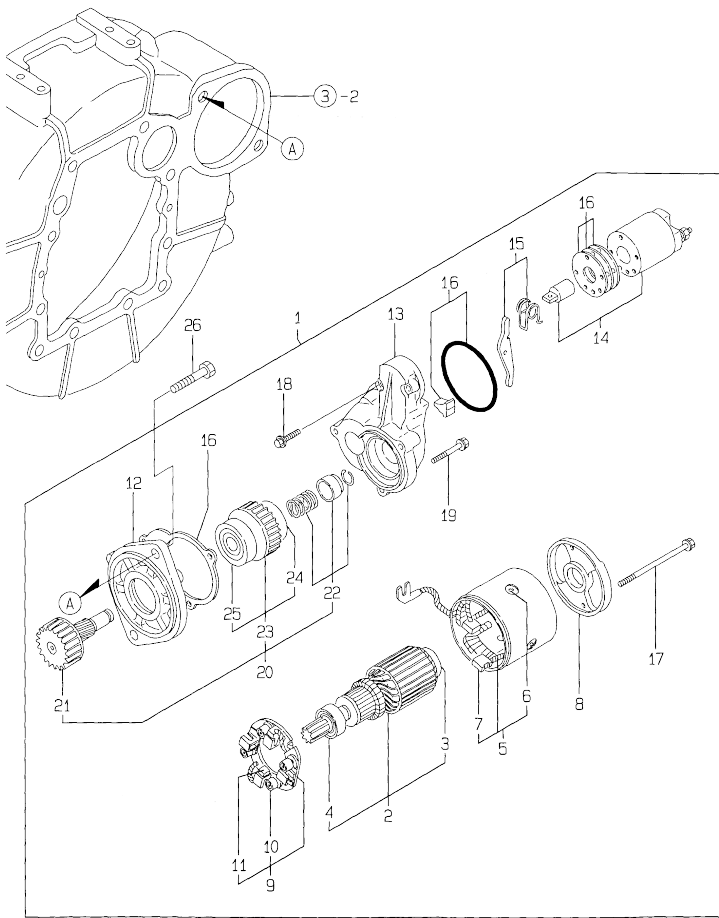
(A)=3TNC78E-SA  
(B)=3TNC78E-G1A  
(C)=3TNC78E-G2A

(D)=  
(E)=  
(F)=

No.	Lev.	Parts No.	Description	Q'ty					
				(A)	(B)	(C)	(D)	(E)	(F)
1	1	119245-66400	BUSH	2	2	2			
2	1	129155-66800	SOLENOID	1	1	1			
3	1	129155-66811	BRACKET, SOLENOID	1	1	1			
4	1	129155-66822	LINK, SOLENOID	1	1	1			
5	1	22137-040000	WASHER, 4	4	4	4			
6	1	22360-040000	PIN, SNAP 4	2	2	2			
7	1	26106-060102	BOLT, M6X 10 PLATED	2	2	2			
8	1	26116-080122	BOLT, M8X 12 PLATED	2	2	2			

Fig.19. STARTING MOTOR(STANDARD)

19. STARTING MOTOR



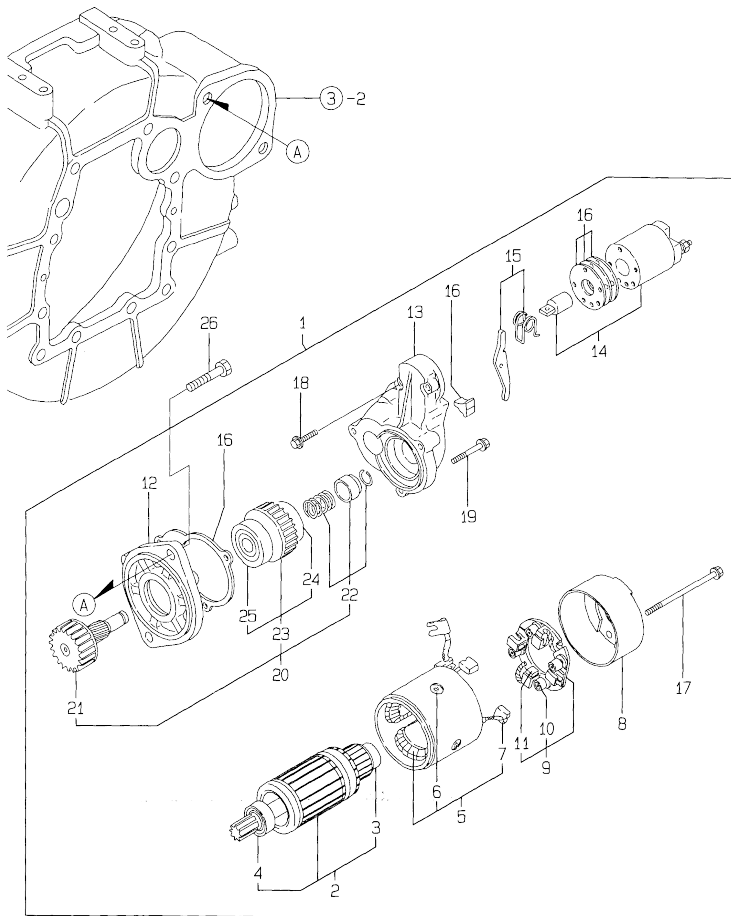
(A)=3TNC78E-SA  
(B)=3TNC78E-G1A  
(C)=3TNC78E-G2A

(D)=  
(E)=  
(F)=

No.	Lev.	Parts No.	Description	Q'ty						I	R
				(A)	(B)	(C)	(D)	(E)	(F)		
1	1	124976-77011	STARTER, S114-349A	1							
2	2	X211451007	ARMATURE ASSY	1							
3	3	X211415502	BEARING, BALL	1							
4	3	X211425502	BEARING, BALL	1							
5	2	X211472106	COIL ASSY, FIELD	1							
6	3	X21143215	SCREW, POLE CORE	4							
7	3	X211469002	BRUSH (+)	2							
8	2	X211483003	COVER	1							
9	2	X211429007	HOLDER ASSY, BRUSH	1							
10	3	X21148314	SPRING, BRUSH	4							
11	3	X211459002	BRUSH (-)	2							
12	2	X211476504	HOUSING ASSY, GEAR	1							
13	2	X211414501	HOUSING, CENTER	1							
14	2	171008-55730	SWITCH ASSY	1							
15	2	X21146012	LEVER, SHIFT	1							
16	2	171008-77571	DUST COVER, (NON-ASB.	1							
17	2	X211468005	BOLT, THROUGH	2							
18	2	X21145866	BOLT	2							
19	2	X21142867	BOLT	3							
20	2	X211415505	CLUTCH ASSY	1							
21	3	X211495009	SHAFT	1							
22	3	X211429006	STOPPER SET	1							
23	3	X211425505	CLUTCH ASSY	1							
24	4	X211435502	BALL BEARING	1							
25	4	X211445502	BALL BEARING	1							
26	1	26116-120252	BOLT, M12X 25 PLATED	2							

Fig.20. STARTING MOTOR(COLD DISTRICT)

20.STARTING MOTOR (COLD DISTRICT)



(A)=3TNC78E-SA  
(B)=3TNC78E-G1A  
(C)=3TNC78E-G2A

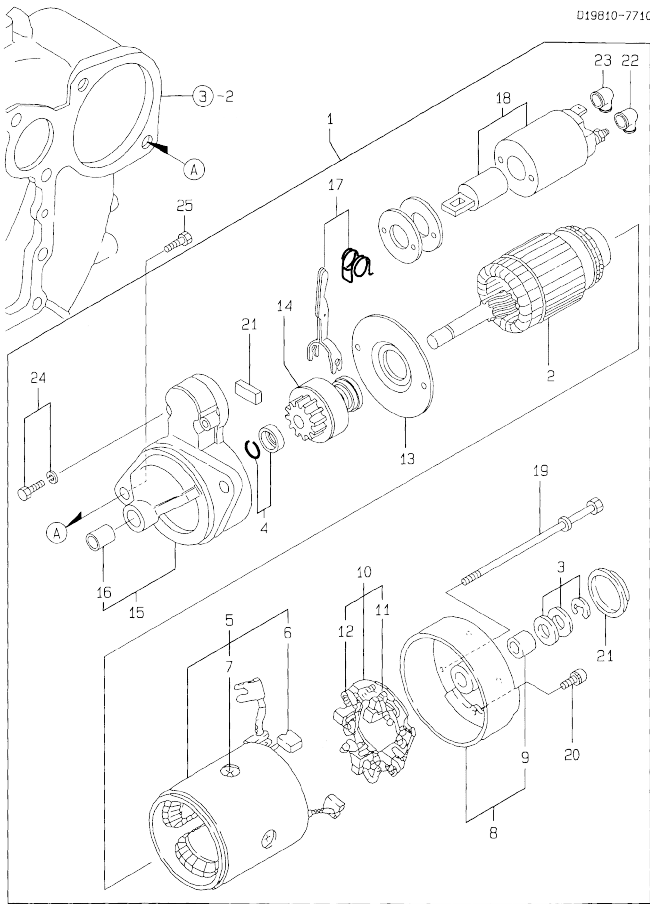
(D)=  
(E)=  
(F)=

No.	Lev.	Parts No.	Description	Q'ty						I	R
				(A)	(B)	(C)	(D)	(E)	(F)		
1	1	129400-77011	STARTER, S13-94A	1							
2	2	129400-77401	ARMATURE, (NON-ASB.)	1							
3	3	171008-77410	BEARING(1)	1							
4	3	171008-77420	BEARING(2)	1							
5	2	129400-77440	COIL ASSY, FIELD	1							
6	3	171008-77450	SCREW	4							
7	3	129400-77460	BRUSH (+)	2							
8	2	129400-77510	COVER, REAR	1							
9	2	129400-77470	HOLDER ASSY, BRUSH	1							
10	3	129400-77490	SPRING, BRUSH	4							
11	3	129400-77460	BRUSH (+)	2							
12	2	171008-77510	HOUSING ASSY, GEAR	1							
13	2	129400-77520	HOUSING, CENTER	1							
14	2	129400-77530	SWITCH ASSY,MAGNETIC	1							
15	2	171008-77540	LEVER SET, SHIFT	1							
16	2	129400-77571	DUST COVER,(NON-ASB.)	1							
17	2	129400-77640	BOLT, THROUGH	2							
18	2	26106-060322	BOLT, M6X 3/2 PLATED	2							
19	2	26106-060402	BOLT, M6X 40 PLATED	3							
20	2	171008-77650	PINION ASSY	1							
21	3	171008-77660	SHAFT, PINION	1							
22	3	171008-77670	STOPPER SET, PINION	1							
23	3	171008-77720	CLUTCH ASSY	1							
24	4	171008-77730	BALL BEARING (3)	1							
25	4	171008-77740	BALL BEARING (4)	1							
26	1	26116-120252	BOLT, M12X 25 PLATED	2							

Fig.21. STARTING MOTOR(STANDARD)

21. STARTING MOTOR

D19810-77100



(A)=3TNC78E-SA  
(B)=3TNC78E-G1A  
(C)=3TNC78E-G2A

(D)=  
(E)=  
(F)=

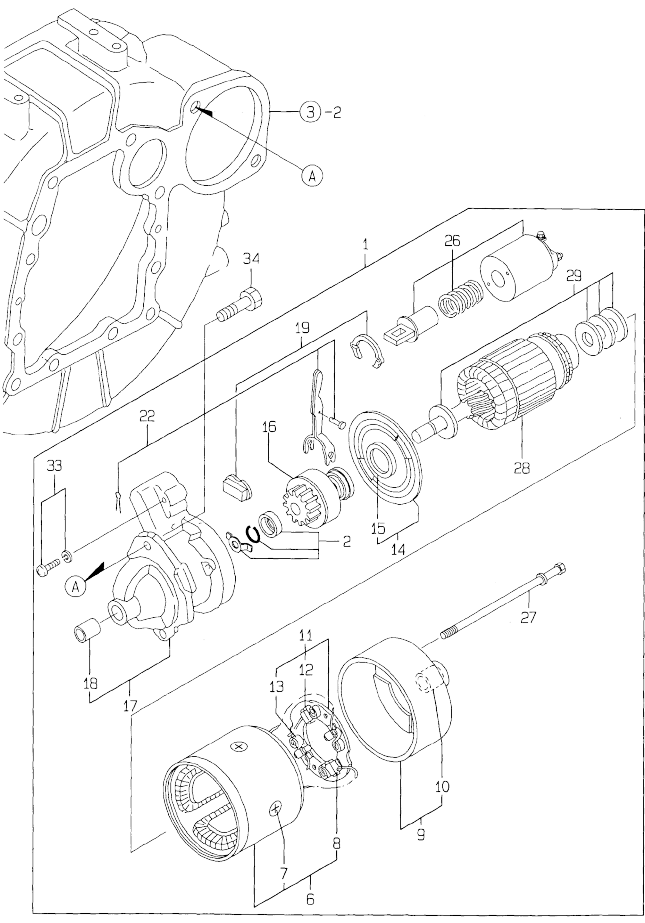
No.	Lev.	Parts No.	Description	Q'ty						I	R
				(A)	(B)	(C)	(D)	(E)	(F)		
1	1	124450-77010	STARTER, S114-146		1						
2	2	X211491001	ARMATURE ASSY		1						
3	2	X21148110	WASHER SET, THRUST		1						
4	2	X21147155	STOPPER SET, PINION		1						
5	2	X211482001	COIL ASSY, FIELD		1						
6	3	X21145312	BRUSH, +		2						
7	3	X21147215	SCREW, POLE CORE		4						
8	2	X211423001	COVER ASSY, REAR		1						
9	3	X21145352	METAL		1						
10	2	X21141360	HOLDER ASSY, BRUSH		1						
11	3	X21145313	BRUSH (-)		2						
12	3	X21144314	SPRING, BRUSH		4						
13	2	X21143454	PLATE, CENTER		1						
14	2	X211445002	PINION ASSY		1						
15	2	X211486003	HOUSING ASSY, GEARS		1						
16	3	X21144661	METAL, GEAR CASE		1						
17	2	X21148652	LEVER SET, SHIFT		1						
18	2	X211457001	SWITCH, MAGNETIC		1						
19	2	X21146815	BOLT, THROUGH		2						
20	2	26557-040122	SCREW, M4X12		2						
21	2	X21143963	COVER KIT, DUCT		1						
22	2	X21144858	COVER, RUBBER		1						
23	2	X21145858	COVER, RUBBER		1						
24	2	26116-060322	BOLT, M6X 32 PLATED		2						
25	1	26116-120252	BOLT, M12X 25 PLATED		2						

Fig.22. STARTING MOTOR (COLD DISTRICT)

(A)=3TNC78E-SA  
 (B)=3TNC78E-G1A  
 (C)=3TNC78E-G2A

(D)=  
 (E)=  
 (F)=

22. STARTING MOTOR (COLD DISTRICT)

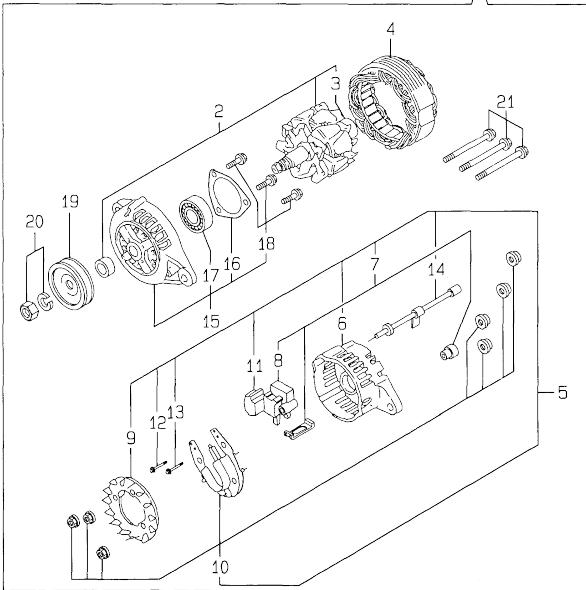
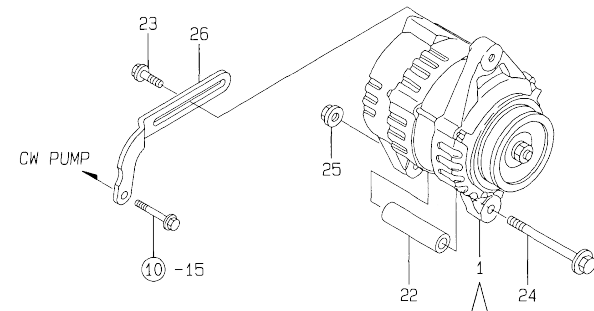


No.	Lev.	Parts No.	Description	Q'ty						
				(A)	(B)	(C)	(D)	(E)	(F)	
1	1	124250-77012	STARTER, S12-77A		1					
2	2	124250-77070	STOPPER SET, PINION		1					
6	2	124250-77110	COIL ASSY, FIELD		1					
7	3	124250-77120	SCREW SET, PORE CORE		4					
8	3	124250-77130	BRUSH (+)		2					
9	2	124250-77140	COVER ASSY, REAR		1					
10	3	124250-77150	METAL, REAR COVER		1					
11	2	124250-77160	HOLDER ASSY, BRUSH		1					
12	3	124250-77170	BRUSH (-)		2					
13	3	124250-77180	SPRING, BRUSH		4					
14	2	124250-77190	BEARING ASSY, CENTER		1					
15	3	124250-77520	BEARING		1					
16	2	124250-77210	PINION ASSY		1					
17	2	124250-77220	CASE ASSY, GEAR		1					
18	3	124250-77230	METAL, GEAR CASE		1					
19	2	124250-77240	COVER SET, DUST		1					
22	2	124250-77270	LEVER SET, SHIFT		1					
26	2	124250-77310	SWITCH, MAGNETIC		1					
27	2	124250-77320	BOLT, THROUGH		2					
28	2	124250-77500	ARMATURE ASSY		1					
29	2	124250-77510	WASHER KIT		1					
33	2	26557-040122	SCREW, M4X12		2					
34	1	26116-120252	BOLT, M12X 25 PLATED		2					

N:Old  $\frac{100}{100}$  New, Q:Old  $\frac{100}{100}$  New, R:Old  $\frac{100}{100}$  New, S:Old  $\frac{100}{100}$  New, W:Add, Z:Discontinued, F:Interchangeable by set, K:Q'ty Change  
 Copyright (C) YANMAR CO., LTD. All Rights Reserved.

Fig.23. GENERATOR

23. GENERATOR

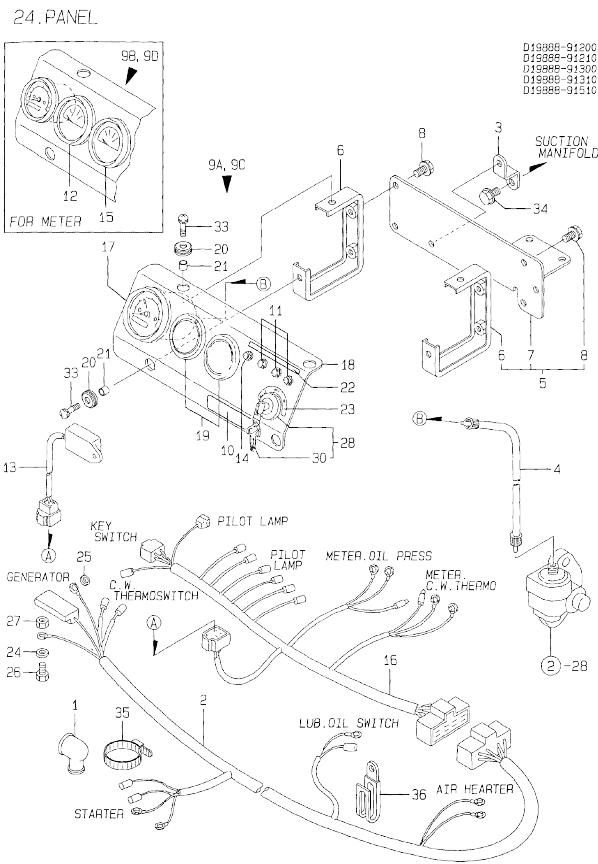


(A)=3TNC78E-SA  
(B)=3TNC78E-G1A  
(C)=3TNC78E-G2A

(D)=  
(E)=  
(F)=

No.	Lev.	Parts No.	Description	Q'ty						I	R
				(A)	(B)	(C)	(D)	(E)	(F)		
1	1	119836-77200	GENERATOR	1	1	1					
2	2	119836-77700	ROTOR ASSY	1	1	1					
3	3	119836-77850	BALL BEARING	1	1	1					
4	2	119836-77710	STARTER ASSY	1	1	1					
5	2	119836-77721	COVER ASSY, REAR	1	1	1					
6	3	119836-77730	COVER, REAR	1	1	1					
7	3	119836-77741	BRUSH ASSY,REGULATOR	1	1	1					
8	4	119836-77750	BRUSH ASSY	1	1	1					
9	3	119836-77760	GUIDE, FAN SIDE	1	1	1					
10	3	119836-77770	DIODE ASSY	1	1	1					
11	3	119836-77780	CONDENSER	1	1	1					
12	3	119836-77871	BOLT (1)	1	1	1					
13	3	119836-77880	BOLT (2)	1	1	1					
14	3	119836-77890	WIRE ASSY, LEAD	1	1	1					
15	2	119836-77790	COVER ASSY, FRONT	1	1	1					
16	3	119836-77800	RETAINER, BEARING	1	1	1					
17	3	119836-77840	BALL BEARING	1	1	1					
18	3	119836-77860	SCREW KID	1	1	1					
19	2	119836-77810	PULLEY	1	1	1					
20	2	119836-77820	NUT ASSY, PULLEY	1	1	1					
21	2	119836-77830	BOLT, THROUGH	3	3	3					
22	1	119820-77340	PIECE, DISTANCE	1	1	1					
23	1	26014-080252	BOLT, M8X 25	1	1	1					
24	1	129136-77250	BOLT M 8X105	1	1	1					
25	1	26366-080002	NUT, M8	1	1	1					
26	1	129100-77330	ADJUSTER	1	1	1					

Fig.24. PANEL



(A)=3TNC78E-SA  
(B)=3TNC78E-G1A  
(C)=3TNC78E-G2A

(D)=  
(E)=  
(F)=

No.	Lev.	Parts No.	Description	Q'ty						I	R
				(A)	(B)	(C)	(D)	(E)	(F)		
1	1	124550-77030	COVER, TERMINAL	1	1	1					
2	1	119888-91020	HARNESS, WIRE	1	1	1					
3	1	119888-91141	RETAINER, PANEL	1	1	1					
4	1	124701-91140	CABLE, L=985	1	1	1					
5	1	119888-91150	BRACKET ASSY	1	1	1					
6	2	119888-91120	SUPPORT	2	2	2					
7	2	119888-91130	BRACKET, PANEL	1	1	1					
8	2	26106-080122	BOLT, M8X 12 PLATED	4	4	4					
9A	1	119888-91100	PANEL ASSY	1		1					
9B	1	119888-91200	PANEL ASSY	1	1	1					1
9C	1	119888-91300	PANEL ASSY		1						
9D	1	119888-91310	PANEL ASSY		1						1
10	2	104507-07190	LABEL, YANMAR	1	1	1					
11	2	124732-77720	LAMP, CHARGING	3	3	3					
12	2	171010-77850	THERMOSTAT	1	1	1					
13	2	128300-77920	TIMER	1	1	1					
14	2	124559-77971	LAMP, PILOT	1	1	1					
15	2	171090-91010	GAUGE	1	1	1					
16	2	119888-91030	HARNESS, WIRE	1	1	1					
17A	2	171080-91100	TACHOMETER	1	1	1					
17B	2	171082-91100	TACHOMETER		1						
18	2	119888-91110	BODY, PANEL	1	1	1					
19	2	124770-91220	COVER	2	2	2					
20	2	121400-91520	ABSORBER	4	4	4					
21	2	121400-91530	SPACER	4	4	4					
22	2	119888-91610	LABEL, CW & OIL LAMP	1	1	1					
23	2	119888-91620	LABEL, KEY SWITCH	1	1	1					
24	2	22117-050000	WASHER, 5	1	1	1					
25	2	22117-050000	WASHER, 5	1	1	1					
26	2	26116-050102	BOLT, M5X 10 PLATED	1	1	1					
27	2	26716-050002	NUT, M5	1	1	1					
28	2	933110-00100	SWITCH ASSY, STARTER	1	1	1					
30	3	933110-00301	KEY ASSY	1	1	1					
33	1	26033-060202	SCREW M 6X 20	4	4	4					
34	1	26106-080122	BOLT, M8X 12 PLATED	1	1	1					
35	1	121750-59890	BAND, 140	1	1	1					
36	1	194180-51640	CLAMP, HARNESS	1	1	1					

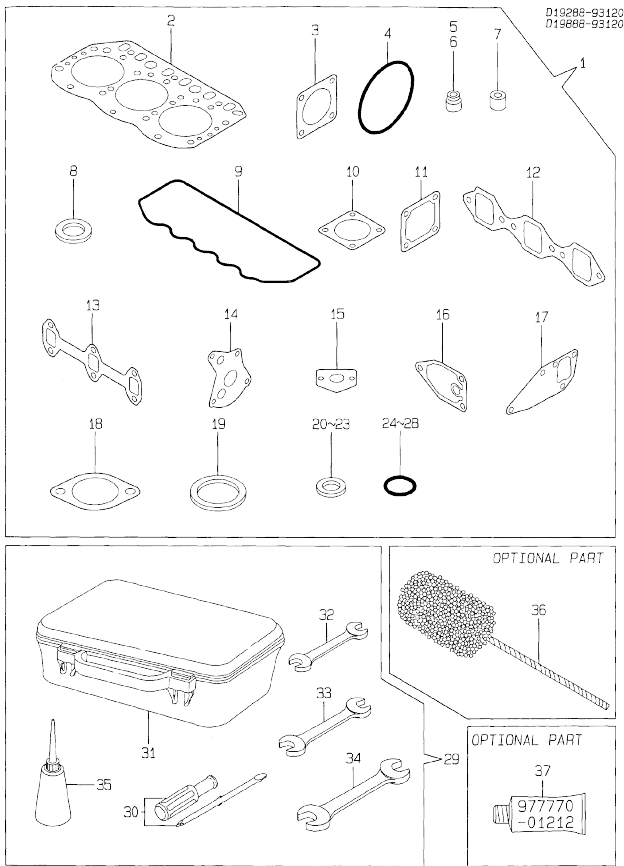
Remarks

(1) WITH C.W.THERMOMETER(REF.NO.12,  
P/# 171010-77850) & PRESSURE  
GAUGE(REF.NO.15,P/# 171090-91010).



Fig.25. GASKET SET & TOOL(OPTIONAL)

25.GASKET SET & TOOL (OPTIONAL)



(A)=3TNC78E-SA  
(B)=3TNC78E-G1A  
(C)=3TNC78E-G2A

(D)=  
(E)=  
(F)=

No.	Lev.	Parts No.	Description	Qty						I	R	
				(A)	(B)	(C)	(D)	(E)	(F)			
1	1	719811-92620	GASKET SET	1	1	1					1	
2	2	119811-01330	GASKET, HEAD T=1.4	1	1	1						
3	2	124240-01883	GASKET	1	1	1						
4	2	121850-51960	O-RING	1	1	1						
5	2	124160-11340	SEAL, VALVE STEM	3	3	3						
6	2	124950-11340	SEAL, VALVE STEM	3	3	3						
7	2	119625-11870	PROTECTOR, NOZZLE	3	3	3						
8	2	119625-11880	SEAT, NOZZLE	3	3	3						
9	2	119865-11310	GASKET, BONNET	1	1	1						
10	2	121000-13201	GASKET, SILENCER	1	1	1						
11	2	129150-77511	GASKET	1	1	1						
12	2	119810-12111	GASKET, MANIFOLD	1	1	1						
13	2	119810-13110	GASKET	1	1	1						
14	2	129150-32020	GASKET, PUMP	1	1	1						
15	2	129150-35041	GASKET	1	1	1						
16	2	129150-35111	GASKET	1	1	1						
17	2	129150-42020	GASKET, WATER PUMP	1	1	1						
18	2	129795-49551	GASKET	1	1	1						
19	2	129150-49811	GASKET, THERMOSTAT	1	1	1						
20	2	124465-44950	GASKET, 16	2	2	2						
21	2	23414-100000	GASKET, 10X1.0	2	2	2						
22	2	23414-120000	GASKET, 12X1.0	2	2	2						
23	2	104200-59170	GASKET, 12	2	2	2						
24	2	24311-000320	O-RING, 1AP32.0	1	1	1						
25	2	24341-000500	O-RING, 1AS50.0	1	1	1						
26	2	24311-000320	O-RING, 1AP32.0	1	1	1						
27	2	24311-000120	O-RING, 1AP12.0	3	3	3						
28	2	24311-000160	O-RING, 1AP16.0	3	3	3						
29	1	171001-93100	BOX, TOOL	1	1	1						
30	2	104200-92350	DRIVER, SCREW	1	1	1						
31	2	104200-92600	BOX, TOOL	1	1	1						
32	2	28110-100120	SPANNER, 10X12	1	1	1						
33	2	28110-140170	SPANNER, 14X17	1	1	1						
34	2	28110-190220	SPANNER, 19X22	1	1	1						
35	2	28210-000140	OILER	1	1	1						
36	1	129400-92420	FLEX HORN	1	1	1						1
37	1	977770-01212	GASKET, LIQUID	1	1	1						1

Remarks  
(1) OPTIONAL PART.

## Parts No. Index

Parts No.	Fig. No.	Ref. No.
101158-11190	4	25
101304-59020	16	17
102103-55520	16	6
103854-39140	16	16
104200-22300	8	26
104200-55321	16	2
104200-55330	16	3
104200-55750	16	13
104200-59170	16	19
	25	23
104200-66820	17	8
104200-66830	17	9
104200-66850	17	10
104200-66860	17	11
104200-92350	25	30
104200-92600	25	31
104211-11180	4	24
104211-11370	4	28
104507-07190	24	10
105025-59750	15	43
	16	21
110250-55610	16	7
114250-53080	15	5
114250-53120	15	9
114250-53130	15	10
114250-53140	15	11
114250-53210	15	12
114250-53400	15	13
119245-66400	18	1
119600-34800	9	13
119600-44500	11	28
119620-01750	3	3
119620-02020	1	7
119625-11870	4	29
	25	7
119625-11880	4	30
	25	8
119625-11900	4	31
119640-01640	3	9
	13	13
119800-53000	15	2 B
119810-01200	1	23
119810-01730	3	6
119810-01770	3	12
119810-01780	3	21
119810-01790	3	8
119810-02870	1	25
119810-02940	1	28
119810-11080	4	14
119810-11090	4	15

Parts No.	Fig. No.	Ref. No.
119810-11100	4	21
119810-11110	4	22 A
119810-11120	4	23
119810-11130	4	22 B
119810-11240	4	34
119810-11350	4	48
119810-12111	5	1
	25	12
119810-13110	6	2
	25	13
119810-14400	7	2
119810-14580	7	3
119810-23200	8	33
119810-23600	8	34
119810-23610	8	48
119810-23910	8	32
119810-32000	9	1
119810-35300	9	16 B
119810-35400	9	16 A
119810-39200	9	35
119810-42001	10	1
119810-51040	12	6
119810-55340	16	4
119810-55621	16	1
119810-55650	16	9
119810-59810	15	25 A
119810-59820	15	29 A
119810-59830	15	33 A
119811-01330	1	24
	25	2
119811-11700	4	7 A
119811-11710	4	7 B
119811-22080	8	20 A
119811-22090	8	20 B
119811-22500	8	22 A
119811-22910	8	36 B
119811-22920	8	42
119811-59810	15	25 B
119811-59820	15	29 B
119811-59830	15	33 B
119820-77340	23	22
119836-77200	23	1
119836-77700	23	2
119836-77710	23	4
119836-77721	23	5
119836-77730	23	6
119836-77741	23	7
119836-77750	23	8
119836-77760	23	9
119836-77770	23	10

Parts No.	Fig. No.	Ref. No.
119836-77780	23	11
119836-77790	23	15
119836-77800	23	16
119836-77810	23	19
119836-77820	23	20
119836-77830	23	21
119836-77840	23	17
119836-77850	23	3
119836-77860	23	18
119836-77871	23	12
119836-77880	23	13
119836-77890	23	14
119840-59560	15	40
119840-59570	15	41
119843-61500	14	33 A
119843-61540	14	48
119865-11200	4	33 A
119865-11210	4	33 B
119865-11310	4	55
	25	9
119865-21600	8	16 A
119865-35300	9	24
119888-01600	3	2 A
119888-08100	11	1
119888-08110	11	2
119888-13101	6	1
119888-13500	6	8
119888-13600	6	9
119888-13651	6	10
119888-13670	6	11
119888-13680	6	12
119888-21450	8	17
119888-21590	8	13 A
119888-44560	11	6
119888-44940	11	11
119888-44950	11	12
119888-44960	11	13
119888-44970	11	14
119888-44980	11	15
119888-66110	17	4
119888-66120	17	1 A
119888-66130	17	5
119888-66150	17	1 B
119888-91020	24	2
119888-91030	24	16
119888-91100	24	9 A
119888-91110	24	18
119888-91120	24	6
119888-91130	24	7
119888-91141	24	3

Parts No.	Fig. No.	Ref. No.
119888-91150	24	5
119888-91200	24	9 B
119888-91300	24	9 C
119888-91310	24	9 D
119888-91610	24	22
119888-91620	24	23
121000-13201	6	7
	25	10
121023-01550	2	25
121111-21501	8	12
121120-12540	5	9
121120-12560	5	10
121120-12570	5	11
121120-12900	5	12
121137-12530	5	8
121150-44580	11	7
121236-42290	10	17
121250-44901	10	40
121250-55620	16	8
121250-59550	15	39
121252-12520	5	7
121254-55510	16	5
121256-44600	11	36
121400-12540	5	23
121400-12560	5	24
121400-12570	5	25
121400-44650	11	8
121400-91520	24	20
121400-91530	24	21
121420-12511	5	14
121420-12540	5	17
121420-12550	5	18
121420-12561	5	19
121422-12530	5	16
121422-12570	5	20
121422-12580	5	21
121450-01560	2	6
121450-42450	10	39
121520-34810	9	14
121520-49160	10	35
121521-12400	5	5
121521-12500	5	13
121550-49111	10	29
121737-49160	10	36
121750-59890	10	45
	24	35
121850-11860	4	16
121850-21680	8	11
121850-51960	2	12
	25	4

## Parts No. Index

Parts No.	Fig. No.	Ref. No.	Parts No.	Fig. No.	Ref. No.	Parts No.	Fig. No.	Ref. No.	Parts No.	Fig. No.	Ref. No.
122117-51560	12	52	124550-51370	12	35	129150-02450	7	4	129155-51280	14	2
122710-51050	12	9	124550-59820	9	40	129150-03020	4	50	129155-51320	12	32
122710-51090	12	12	124550-66370	13	58	129150-03070	4	51	129155-51340	12	33
123682-44210	11	5		14	63	129150-03080	4	52	129155-51370	12	36
124060-11800	4	12	124550-77030	24	1	129150-03100	2	11	129155-51380	12	37
124066-59100	15	38	124559-77971	24	14	129150-11230	4	41	129155-51390	12	38
124160-01751	2	7	124700-44740	10	19	129150-11280	4	39	129155-51400	12	39
	4	49	124701-91140	24	4	129150-11750	4	43	129155-51410	12	40
124160-01910	1	5	124732-77720	24	11	129150-14101	7	7	129155-51420	12	41
124160-11340	4	26	124736-07900	4	5	129150-14200	7	1	129155-51450	12	42
	25	5	124764-44800	11	9	129150-21200	8	5	129155-51500	12	47
124160-11360	4	59	124764-44920	11	10	129150-25101	7	10	129155-51521	12	48
124160-39140	9	34	124766-59050	10	37	129150-25900	7	15 A	129155-51530	12	49
124160-39450	9	39		15	37	129150-25920	7	13	129155-51540	12	50
124240-01871	2	8		16	18	129150-32020	9	11	129155-51550	12	51
124240-01883	2	9	124770-91220	24	19		25	14	129155-51570	12	54
	25	3	124950-11340	4	27	129150-35041	9	15	129155-51580	12	55
124250-49351	10	43		25	6		25	15	129155-51591	12	56
124250-77012	22	1	124950-51190	12	19	129150-35101	9	21	129155-51600	12	57
124250-77070	22	2	124976-77011	19	1	129150-35111	9	22	129155-51700	12	76
124250-77110	22	6	126650-12680	5	22		25	16	129155-51710	12	77
124250-77120	22	7	126650-66020	17	3	129150-35150	9	23	129155-51750	12	78
124250-77130	22	8	128170-51300	12	29	129150-35350	9	31	129155-51760	12	79
124250-77140	22	9	128300-77920	24	13	129150-42020	10	14	129155-51790	12	80
124250-77150	22	10	129100-01580	3	1		25	17	129155-51930	12	82
124250-77160	22	11		8	18	129150-42320	10	11	129155-51940	12	83
124250-77170	22	12		8	2	129150-49080	10	31	129155-52050	12	96
124250-77180	22	13	129100-22970	8	44	129150-49100	10	30	129155-61050	13	5
124250-77190	22	14	129100-25061	7	9	129150-49360	10	44		14	5
124250-77210	22	16	129100-25900	7	15 B	129150-49811	10	27	129155-61060	13	6
124250-77220	22	17	129100-52100	12	97		25	19		14	6
124250-77230	22	18	129100-59951	15	44	129150-59120	15	20	129155-61070	13	7
124250-77240	22	19	129100-61400	13	16	129150-59130	15	23		14	7
124250-77270	22	22		14	16	129150-59580	15	42	129155-61120	13	8
124250-77310	22	26	129100-61440	13	23	129150-77511	5	34		14	8
124250-77320	22	27		14	23		25	11	129155-61130	13	9
124250-77500	22	28	129100-61450	14	82	129150-91400	2	28		14	9
124250-77510	22	29	129100-61501	13	33 B	129155-11260	4	37	129155-61140	13	10
124250-77520	22	15	129100-61650	13	52 A	129155-11270	4	38		14	10
124450-44510	11	30		14	57 A	129155-42350	10	18 B	129155-61201	13	11 A
124450-44530	11	32	129100-61821	13	55	129155-49800	10	26		14	11 A
124450-44550	11	35	129100-77330	23	26	129155-51020	12	5	129155-61341	13	15
124450-44560	11	33	129105-44590	11	26	129155-51050	12	8		14	15
124450-44590	11	29	129111-61802	14	58 B	129155-51060	12	10 A	129155-61430	13	19
124450-77010	21	1	129116-61500	14	33 B	129155-51140	12	16		14	19
124465-44950	10	41	129116-61803	14	58 A	129155-51180	12	18	129155-61450	13	24
		42	129116-61890	14	61	129155-51200	12	20		14	24
	25	20	129120-77501	5	33	129155-51270	12	27	129155-61460	13	25
124550-21600	8	16 B	129136-12600	5	29	129155-51280	12	28		14	25
124550-51350	12	34	129136-77250	23	24		13	2	129155-61470	13	26

## Parts No. Index

Parts No.	Fig. No.	Ref. No.
129155-61470	14	26
129155-61480	13	27
	14	27
129155-61490	13	32
	14	32
129155-61540	13	51
	14	49
129155-61802	13	53 A
129155-61810	13	54
	14	59
129155-61830	13	56
	14	60
129155-61950	13	57
	14	62
129155-66800	18	2
129155-66811	18	3
129155-66822	18	4
129156-51910	12	81
129350-49530	10	24
129400-01520	2	5
129400-51100	12	13 A
129400-51200	12	13 B
129400-61801	13	53 B
129400-77011	20	1
129400-77401	20	2
129400-77440	20	5
129400-77460	20	7
		11
129400-77470	20	9
129400-77490	20	10
129400-77510	20	8
129400-77520	20	13
129400-77530	20	14
129400-77571	20	16
129400-77640	20	17
129400-92420	25	36
129403-42380	10	18 A
129411-12500	5	6
129428-61450	13	76
129470-39610	9	44
129470-51060	12	10 B
129470-51080	12	11
129477-61720	13	82 B
	14	88 B
129500-53000	15	2 C
129500-53050	15	2 A
129500-61501	13	33 A
129500-61650	13	52 B
	14	57 B
129500-61700	13	82 C

Parts No.	Fig. No.	Ref. No.
129500-61700	14	88 C
129550-21650	8	9 B
129555-59510	16	20
129792-22400	8	27
129795-01800	2	4
129795-01950	2	10
129795-02411	1	21
129795-21661	8	10
129795-49551	10	25
	25	18
144626-91560	9	46
170064-67210	17	21
171001-93100	25	29
171008-55730	19	14
171008-77410	20	3
171008-77420	20	4
171008-77450	20	6
171008-77510	20	12
171008-77540	20	15
171008-77571	19	16
171008-77650	20	20
171008-77660	20	21
171008-77670	20	22
171008-77720	20	23
171008-77730	20	24
171008-77740	20	25
171010-77850	24	12
171048-67010	17	6
171048-67130	17	15
171048-67140	17	16
171051-01921	1	6
171061-12520	5	15
171080-91100	24	17 A
171082-91100	24	17 B
171085-67100	17	12
171085-67110	17	13
171085-67120	17	14
171090-91010	24	15
171102-66080	17	7
171301-12701	5	2
171301-21590	8	13 B
171301-21650	8	9 A
171301-44500	11	4
171301-49010	10	21
171301-49020	10	22
171350-03090	4	1
171351-12210	5	4
171351-12560	5	27
171351-12570	5	28
171351-12580	5	26

Parts No.	Fig. No.	Ref. No.
171353-61700	13	82 A
	14	88 A
171375-39600	9	43
171420-01600	3	2 B
171488-61200	13	11 B
	14	11 B
174307-51170	12	17
174307-51560	12	53
174307-51700	13	34
	14	34
194180-51640	24	36
194990-22050	6	3
		13
22117-040000	13	59
	14	65
22117-050000	24	24
		25
22117-100000	17	22
22137-040000	18	5
22137-080000	11	16
22190-060002	13	60
	14	66
22190-080002	2	13
		14
	9	41
22190-100002	13	61
	14	67
22190-120002	13	62
	14	68
22190-160002	12	84
22190-220002	3	11
		15
22217-050000	12	85
	14	53
22217-060000	12	86
22217-100000	11	17
		23
22217-120000	7	16
22272-000040	13	63
	14	54
22272-000050	17	24
22272-000060	13	64
	14	70
22287-120000	13	65
	14	71
22351-020006	17	17
22351-030016	13	66
22351-040010	8	8
22351-050010	12	87
22351-060012	4	45

Parts No.	Fig. No.	Ref. No.
22360-040000	18	6
22372-040000	13	67
	14	72
22411-200150	17	18
22512-070140	7	8
	8	6
23000-060000	5	30
23010-038000	10	23
23061-070230	11	34
23161-020100	9	45
23414-100000	9	42
	25	21
23414-120000	15	52
	25	22
23871-010000	1	10
23871-030000	4	17
	10	12
23887-100002	13	68
	14	73
23887-120002	1	11
24101-063034	12	88
24104-062054	8	18
24311-000120	4	60
	25	27
24311-000160	2	15
	9	32
	25	28
24311-000320	2	16
	4	56
	25	24
		26
24311-240100	13	69
	14	74
	16	14
24341-000160	12	89
24341-000240	2	26
		30
24341-000500	4	57
	25	25
26014-060162	10	20
26014-080252	23	23
26014-080302	6	14
26014-080702	16	15
26022-050102	12	90
	13	70
	14	75
26022-060162	12	91
26023-050102	13	71
	14	76
26033-060202	24	33

## Parts No. Index

Parts No.	Fig. No.	Ref. No.	Parts No.	Fig. No.	Ref. No.	Parts No.	Fig. No.	Ref. No.	Parts No.	Fig. No.	Ref. No.
26106-060102	17	25	26116-050302	12	92	719800-53300	15	1 B	X21145352	21	9
	18	7	26116-060082	17	19	719810-01500	2	1	X211457001	21	18
26106-060122	2	27	26116-060322	21	24	719810-01650	3	19	X21145858	21	23
26106-060162	2	31	26116-080122	18	8	719810-02800	1	15	X21145866	19	18
26106-060202	13	72	26116-120252	19	26	719810-02930	1	18	X211459002	19	11
	14	77		20	26	719810-11650	4	40 A	X21146012	19	15
26106-060252	14	78		21	25	719810-11660	4	40 B	X211468005	19	17
26106-060322	20	18		22	34	719810-23100	8	28	X21146815	21	19
26106-060402	20	19	26206-100252	3	4	719811-01100	1	1	X211469002	19	7
26106-080122	2	17	26206-100302	3	5	719811-11720	4	7 C	X21147155	21	4
	6	15	26206-120302	11	22	719811-21700	8	1	X211472106	19	5
	11	18	26216-060302	4	18	719811-22900	8	36 A	X21147215	21	7
	24	8	26216-080222	6	5	719811-51350	12	1 A	X211476504	19	12
		34	26216-080602	6	6	719811-92620	25	1	X21148110	21	3
26106-080142	4	6	26226-080182	4	44	729100-51300	12	1 C	X211482001	21	5
	5	31	26366-060002	4	32	729110-51410	12	1 E	X211483003	19	8
	6	16		5	32	729188-51330	12	1 D	X21148314	19	10
	11	27	26366-080002	2	24	729188-51380	12	1 B	X211486003	21	15
26106-080162	1	22		11	23	729188-51430	12	1 F	X21148652	21	17
	2	18		13	73	729500-53100	15	1 C-1	X211491001	21	2
		19		14	79	729500-53200	15	1 A	X211495009	19	21
	3	16		23	25	729500-53300	15	1 C			
	4	58	26450-060252	9	12	729550-22500	8	22 B			
	10	38	26557-040122	21	20	729550-22950	8	38 B			
	11	19		22	33	729555-22950	8	38 A			
	17	27	26657-100002	17	26	933110-00100	24	28			
26106-080202	2	20	26687-120002	13	83	933110-00301	24	30			
	9	33		14	89	977770-01212	25	37			
	10	28	26716-050002	24	27	X21141360	21	10			
	11	20	26716-060002	12	93	X211414501	19	13			
26106-080222	8	19	26716-100002	11	24	X211415502	19	3			
26106-080252	4	46	26716-120002	7	17	X211415505	19	20			
	5	3	26756-050002	17	2	X211423001	21	8			
	11	21	26756-060002	13	74	X211425502	19	4			
26106-080302	3	22		14	80	X211425505	19	23			
26106-080352	3	23	26756-100002	11	25	X21142867	19	19			
	5	35	26776-120002	13	75	X211429006	19	22			
	9	20		14	81	X211429007	19	9			
	10	15	26921-050122	17	20	X21143215	19	6			
26106-080452	2	21	27231-500000	1	12	X21143454	21	13			
	3	17	27241-120000	1	13	X211435502	19	24			
	7	14	27241-220000	4	19	X21143963	21	21			
26106-080502	4	47	27241-300000	1	14	X21144314	21	12			
26106-080552	2	22	27241-400000	4	20	X211445002	21	14			
	10	16	27310-070001	4	25 -1	X211445502	19	25			
26106-080602	6	4	28110-100120	25	32	X21144661	21	16			
26106-080852	2	23	28110-140170	25	33	X21144858	21	22			
26106-100202	11	3	28110-190220	25	34	X211451007	19	2			
26113-050082	14	56	28210-000140	25	35	X21145312	21	6			
26116-050102	24	26	719800-53100	15	1 B-1	X21145313	21	11			