

0CD10-M44900EN

PREFACE

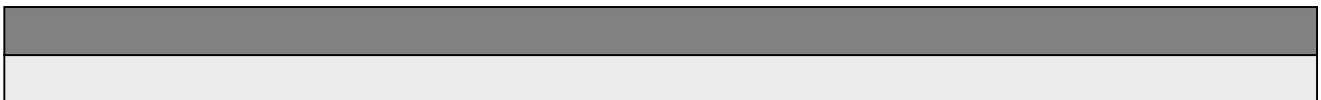
1. This Parts Catalog is the 1st edition of 3TNC78L-RHK Diesel Engine for HOKUETSU.

Pub. No. : 000Y00D4490

Published : May,1992

2. Model name

Engine model	Vehicle		Vehicle made by
	Products	Model name	
3TNC78L-RHK	—	—	HOKUETSU



How to read this Parts Catalog.

1. Parts mentioned in Parts Catalog may not necessarily be standard equipping parts
2. Parts change may be made without prior notice.
3. Form of this Parts Catalog.

REF.	LEV.	PARTS No.	DESCRIPTION	QTY						I	R
				(A)	(B)	(C)	(D)	(E)	(F)		
1		729595-51390	FUEL INJECTION PUMP		1	1	1	1	1		
1-1	1	729595-51391	FUEL INJECTION PUMP	1	1	1	1	1	1		N
		(A=E00185) (B=E00200)									
3	2	26022-060162	SCREW M 6X16	9	9	9	9	9			
1 3-1	2	26022-060162	SCREW M 6X16	4	4	4	4	4			K
		(A=E00156) (B=E00156) (C=E00156) (D=E00156) (E=E00156)									
4	2	129470-51040	CAMSHFT	9	9	9	9	9			
5	2	122710-51050	BEARING. ROLLER	9	9	9	9	9			
6	2	129470-51060	RETAINER	9	9	9	9	9			

Remarks	
(1)	BOOST COMPENSATOR TYPE. OPTIONAL PART. TO E#00155 (4JH-DT, 4JH-DTZ)

① Ref. No.

The Ref. No. in the list may not be in accordance with the Ref. No. on illustration.

(Ex.) illustration No. List head No.

1 1 (Before change) → 1-1 (After change)

When interchangeable symbol N, and K, illustrations for the new parts are sometimes omitted.

② Lev. (Level)

Indication and Meaning of Level

Level Hereunder is given the relation among the number of number (1,2,3) the level and the nominal parent-child relationship.

1 ---- Parent parts (Assembly parts)

2 ---- Child parts included in " 1 " (Semi-Assembly parts, component parts of Assembly parts.)

3 ---- Child parts included in " 2 ", Grand-child parts in terms of " 1 ".

(Component parts of Semi-Assembly parts.)

Note) A parts of non-sale parts are illustrated but not listed.



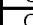
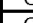
③ Change Mark

Change Mark " I " is given to the part for which a design change was made at this time.

The design change was not shown in the last published Parts Catalog.

④ Interchangeability Mark

In the case where a part change took place, one of the following interchangeability marks is indicated for that part

Symbol	Interchangeability	Contents note
N	Old ←  New	New Part is interchangeable for Old Part but not interchangeable conversely.
Q	Old ←  New	New Part is not interchangeable for Old Part but interchangeable conversely.
R	Old ←  New	New Part is interchangeable for Old Part and vice versa.
S	Old ←  New	New Part is not interchangeable for Old Part and vice versa.
W		Part newly added.
Z		Part discontinued.
F		Not interchangeable single part but interchangeable by set of the related parts.
K		Changed only in quantity used.

⑤ Effective Machine No.

When a part is changed, Effective Machine No. of a Model for which the part is applicable is indication

In each column of (A)-(F).

Product Symbol	Product No.	Product Symbol	Product No.
C	Clutch No, Compressor No,	M	Machine No,
D	Drive No,	T	Tractor No,
E	Engine No,	Note 1)※	Date

Note 1) Date may follow the symbol in some cases. (Ex.) ※1996.01

Note 2) As far as engine models shown by " XXX " are concerned, the modification of the parts could not be Predicted or the engine models themselves could not be identified.

Note 3) (A=E/#00185) means that the design change on the part has been effective for the model at the, column (A) (in the case, for 4JH-DT) on and from E/#(Engine Serial Number) 00185

⑥ Remarks Mark

Figures or alphabets (Symbols) are entered in the remark column.

The comments (remarks) on the pertinent parts are indicated in the lower part of the list by the same symbols a those stated above.

Contents

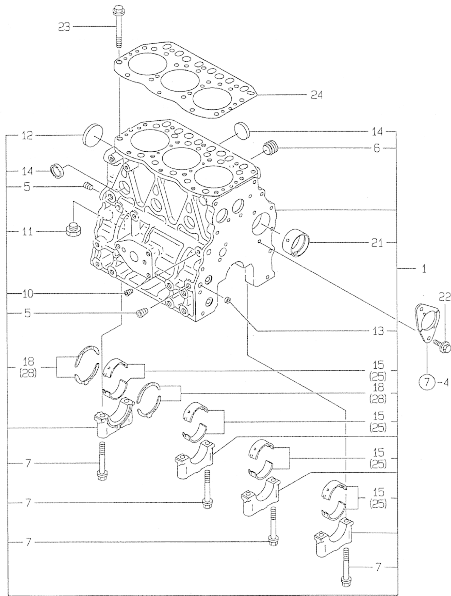
Fig. No.	Fig. Name	Fig. No.	Fig. Name
ENGINE 3TNC78L-RHK			
1.	CYLINDER BLOCK		
2.	GEAR HOUSING		
3.	FLYWHEEL HOUSING & OIL SUMP		
4.	CYLINDER HEAD & BONNET		
5.	SUCTION MANIFOLD		
6.	EXHAUST MANIFOLD		
7.	CAMSHAFT & DRIVE GEAR		
8.	CRANKSHAFT & PISTON		
9.	LUB. OIL SYSTEM		
10.	COOLING WATER SYSTEM		
11.	FUEL INJECTION PUMP		
12.	GOVERNOR		
13.	FUEL INJECTION VALVE		
14.	FUEL STRAINER & FUEL PIPES		
15.	ENGINE STOP DEVICE		
16.	STARTING MOTOR		
17.	GENERATOR		
18.	ELECTRIC PARTS		
19.	GASKET SET(OPTIONAL)		

OCD10-M44900

Fig.1. CYLINDER BLOCK

Y0004490
37AC78L-RHK

019811-01100
019805-02100
089129-02200



No.	Lev.	Parts No.	Description	Q'ty						I	R
				(A)	(B)	(C)	(D)	(E)	(F)		
1	1	719811-01100	BLOCK ASSY, CYLINDER	1							
5	2	124160-01910	PLUG, PT1/4	2							
6	2	171051-01921	PLUG, NPTF1	1							
7	2	119620-02020	BOLT, METAL CAP	8							
10	2	23871-010000	PLUG, R01	1							
11	2	23887-120002	PLUG, 12	1							
12	2	27231-500000	PLUG 50	1							
13	2	27241-120000	PLUG, 12	2							
14	2	27241-300000	PLUG 30	6							
15	2	719810-02800	BEARING, MAIN	4							
18	2	719810-02930	BEARING, THRUST	2							
21	2	129795-02411	BUSH, CAMSHAFT	1							
22	1	26106-080162	BOLT, M8X 16 PLATED	2							
23	1	119810-01200	BOLT, HEAD	14							
24	1	119811-01330	GASKET, HEAD T=1.4	1							\$
25	1	119810-02870	BEARING, 0.25 US	4							1
28	1	119810-02940	BEARING, THRUST 0.25	2							2

Remarks

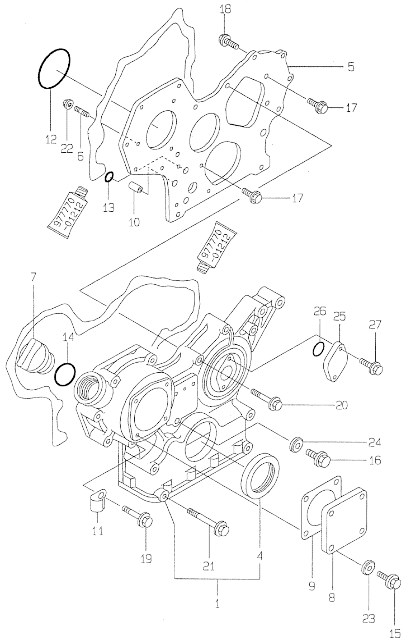
- (1) UNDER-SIZED(U.S=0.25)PART.
- (2) OVER-SIZED(O.S=0.25)PART.
- (S) THESE PARTS ARE SOLD BY FIG.19, REF.NO.1.

OCD10-M44900

Fig.2. GEAR HOUSING

Y0004490
3TNC78L-RHK

029400-01220
029400-01810



(A)=3TNC78L-RHK
(B)=
(C)=

(D)=
(E)=
(F)=

No.	Lev.	Parts No.	Description	Q'ty						I	R
				(A)	(B)	(C)	(D)	(E)	(F)		
1	1	719810-01500	CASE ASSY, GEAR	1							
4	2	129795-01800	SEAL, OIL	1							
5	1	129400-01520	FLANGE, GEAR CASE	1							
6	1	121450-01560	STUD, M8X22	3							
7	1	124160-01751	COVER, FILLER	1							
8	1	124240-01871	COVER	1							
9	1	124240-01883	GASKET	1							\$
10	1	129795-01950	PIPE, KNOCK L=18	2							\$
11	1	129150-03100	RETAINER, PIPE	1							\$
12	1	121850-51960	O-RING	1							\$
13	1	24311-000160	O-RING, 1AP16.0	2							\$
14	1	24311-000320	O-RING, 1AP32.0	1							\$
15	1	26106-080122	BOLT, M8X 12 PLATED	4							
16	1	26106-080162	BOLT, M8X 16 PLATED	1							
17	1	26106-080162	BOLT, M8X 16 PLATED	3							
18	1	26106-080202	BOLT, M8X 20 PLATED	2							
19	1	26106-080452	BOLT, M8X 45 PLATED	6							
20	1	26106-080552	BOLT, M8X 55 PLATED	3							
21	1	26106-080852	BOLT, M8X 85 PLATED	4							
22	1	26366-080002	NUT, M8	3							
23	1	43400-500410	SEAL WASHER 8	4							
24	1	43400-500410	SEAL WASHER 8	1							
25	1	121023-01550	COVER	1							
26	1	24341-000240	O-RING, 1AS24.0	1							
27	1	26106-060122	BOLT, M6X 12 PLATED	2							

Remarks

(S) THESE PARTS ARE SOLD BY FIG.19.
REF.NO.1.

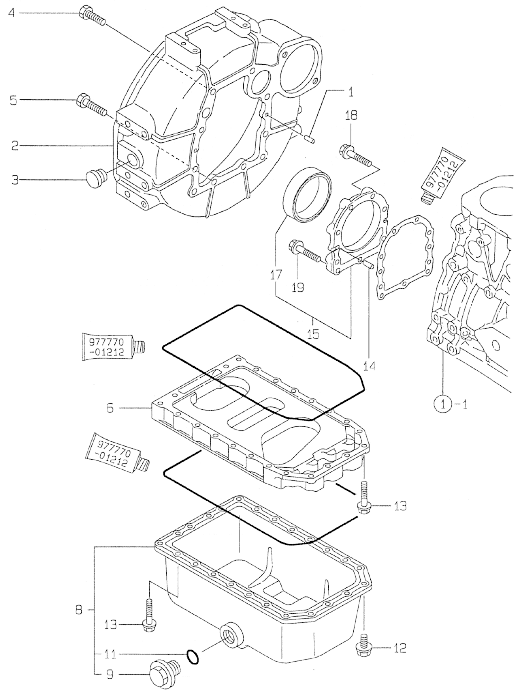
N:Old $\frac{100}{100}$ New, Q:Old $\frac{100}{100}$ New, R:Old $\frac{100}{100}$ New, S:Old $\frac{100}{100}$ New, W:Add, Z:Discontinued, F:Interchangeable by set, K:Qty Change
Copyright (C) YANMAR CO., LTD. All Rights Reserved.

OCD10-M44900

Fig.3. FLYWHEEL HOUSING & OIL SUMP

YB024430
3TNC78L-RHK

025100-01310
D19810-01410
D19800-01500

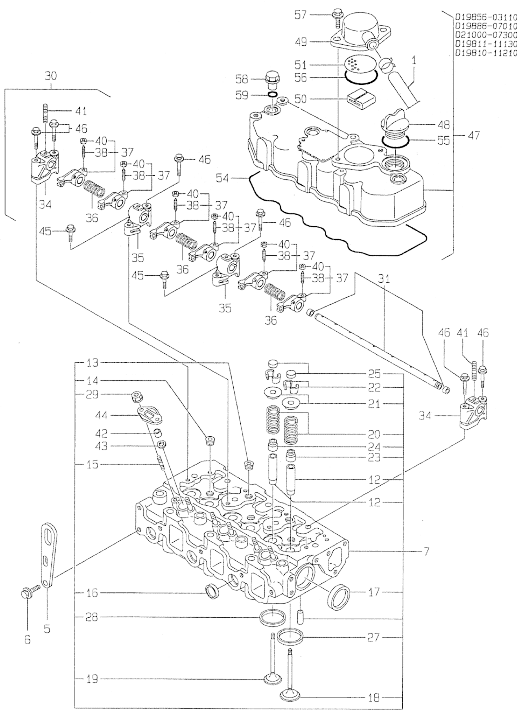


No.	Lev.	Parts No.	Description	Q'ty						I	R
				(A)	(B)	(C)	(D)	(E)	(F)		
1	1	129100-01580	PIN, M8X16	2							
2	1	171301-01600	HOUSING, FLYWHEEL	1							
3	1	119620-01750	CAP	1							
4	1	26206-100252	BOLT, M10X 25 PLATED	6							
5	1	26206-100302	BOLT, M10X 30 PLATED	4							
6	1	119810-01730	SPACER, OIL SUMP	1							
8	1	119810-01770	SUMP ASSY, OIL	1							
9	2	171301-01640	PLUG, 22	1							
11	2	24341-000240	O-RING, 1AS24.0	1							
12	1	26106-080162	BOLT, M8X 16 PLATED	6							
13	1	26106-080452	BOLT, M8X 45 PLATED	22							
14	1	129100-01580	PIN, M8X16	2							
15	1	719810-01650	CASE ASSY, OIL SEAL	1							
17	2	119810-01780	SEAL, 769310	1							
18	1	26106-080302	BOLT, M8X 30 PLATED	6							
19	1	26106-080352	BOLT, M8X 35 PLATED	3							

OCD10-M44900

Fig.4. CYLINDER HEAD & BONNET

NO.0459
31N.75L-RHK



(A)=3TNC78L-RHK
(B)=
(C)=

(D)=
(E)=
(F)=

No.	Lev.	Parts No.	Description	Qty						I	R
				(A)	(B)	(C)	(D)	(E)	(F)		
1	1	119856-03090	PIPE, BREATHER	1							
5	1	124736-07900	LIFTER	1							
6	1	26106-080142	BOLT, M8X 14 PLATED	2							
7	1	719811-11710	HEAD ASSY, CYLINDER	1							1
12	2	124060-11800	GUIDE, VALVE	6							
13	2	121850-11860	PLUG, PT1/4	2							
14	2	23871-030000	PLUG, R03	3							
15	2	26216-060302	STUD, M6X 30	6							
16	2	27241-220000	PLUG, 22	3							
17	2	27241-400000	PLUG, 40	2							
18	2	119810-11100	VALVE, INTAKE	3							
19	2	119810-11130	VALVE, EXHAUST	3							
20	2	119810-11120	SPRING, VALVE	6							
21	2	104211-11180	RETAINER, SPRING	6							
22	2	101158-11190	COTTER	6							
22-1	2	27310-070001	COTTER, 7	6							N
(A=EXXXXX)											
23	2	124160-11340	SEAL, VALVE STEM	3							\$
24	2	124950-11340	SEAL, VALVE STEM	3							\$
25	2	104211-11370	CAP, VALVE	6							
27	2	119810-11080	SEAT, INTAKE VALVE	3							
28	2	119810-11090	SEAT, EXHAUST VALVE	3							
29	2	26366-060002	NUT, M6	6							
30	1	119865-11200	SUPPORT ASSY, ARM	1							
31	2	119810-11240	SHAFT ASSY, ROCKER	1							
34	2	129155-11260	SUPPORT, ROCKER ARM	2							
35	2	129155-11270	SUPPORT, ROCKER ARM	2							
36	2	129150-11280	SPRING	3							
37	2	719810-11650	ARM ASSY, ROCKER	6							
38	3	129150-11230	SCREW, VALVE ADJUST	6							
40	3	129150-11750	NUT, M8	6							
41	2	26226-080182	STUD, M8X 18	3							
42	1	119625-11870	PROTECTOR, NOZZLE	3							\$
43	1	119625-11880	SEAT, NOZZLE	3							\$
44	1	119625-11900	RETAINER, NOZZLE	3							
45	1	26106-080252	BOLT, M8X 25 PLATED	2							
46	1	26106-080502	BOLT, M8X 50 PLATED	6							
47	1	119810-11350	BONNET ASSY, HEAD	1							
48	2	124160-01751	COVER, FILLER	1							
49	2	129150-03020	COVER, BREATHER	1							
50	2	129150-03070	BAFFLE, BREATHER	1							
51	2	129150-03080	PLATE, BAFFLE	1							
54	2	119865-11310	GASKET, BONNET	1							\$
55	2	24311-000320	O-RING, 1AP32.0	1							\$
56	2	24341-000500	O-RING, 1AS50.0	1							\$
57	2	26106-080162	BOLT, M8X 16 PLATED	2							
58	1	124160-11360	KNOB	3							
59	1	24311-000120	O-RING, 1AP12.0	3							\$

Remarks

- (1) REPAIR PART.
- (S) THESE PARTS ARE SOLD BY FIG.19, REF.NO.1.

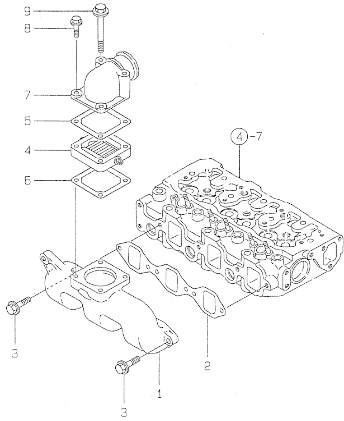
N:Old $\frac{100}{100}$ New, Q:Old $\frac{100}{100}$ New, R:Old $\frac{100}{100}$ New, S:Old $\frac{100}{100}$ New, W:Add, Z:Discontinued, F:Interchangeable by set, K:Qty Change
Copyright (C) YANMAR CO., LTD. All Rights Reserved.

OCD10-M44900

Fig.5. SUCTION MANIFOLD

Y0004490
3TNC78L-RHK

D:19810-12100
U71353-77501



(A)=3TNC78L-RHK
(B)=
(C)=

(D)=
(E)=
(F)=

No.	Lev.	Parts No.	Description	Q'ty						I	R
				(A)	(B)	(C)	(D)	(E)	(F)		
1	1	119810-12100	MANIFOLD, AIR INTAKE	1							
2	1	119810-12111	GASKET, MANIFOLD	1							\$
3	1	26106-080252	BOLT, M8X 25 PLATED	4							
4	1	129100-77500	HEATER, AIR 12V	1							
5	1	129100-77510	GASKET, AIR HEATER	1							
6	1	129150-77511	GASKET	1							\$
7	1	171340-77520	BEND	1							
8	1	26106-080402	BOLT, M8X 40 PLATED	2							
9	1	26106-080802	BOLT, M8X 80 PLATED	2							

Remarks
(S) THESE PARTS ARE SOLD BY FIG.19.
REF.NO.1.

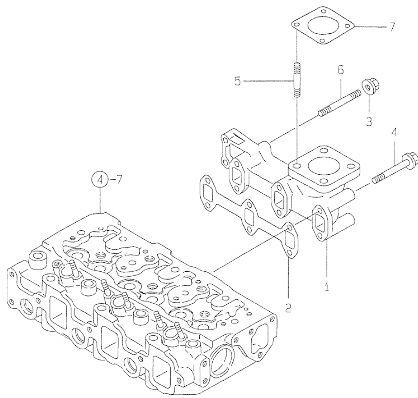
N:Old $\frac{Y00}{10}$ New. Q:Old $\frac{H0}{100}$ New. R:Old $\frac{Y00}{100}$ New. S:Old $\frac{H0}{100}$ New. W:Add. Z:Discontinued. F:Interchangeable by set. K:Q'ty Change
Copyright (C) YANMAR CO., LTD. All Rights Reserved.

OCD10-M44900

Fig.6. EXHAUST MANIFOLD

Y0004490
3TNC78L-RHK

Q19889-13100
D19889-13101



(A)=3TNC78L-RHK
(B)=
(C)=

(D)=
(E)=
(F)=

No.	Lev.	Parts No.	Description	Q'ty						I	R
				(A)	(B)	(C)	(D)	(E)	(F)		
1	1	119888-13101	MANIFOLD, EXHAUST	1							
2	1	119810-13110	GASKET	1							\$
3	1	194990-22050	NUT, M8	2							
4	1	26106-080602	BOLT, M8X 60 PLATED	4							
5	1	26216-080222	STUD, M8X 22	4							
6	1	26216-080602	STUD, M8X 60	2							
7	1	124701-11911	GASKET, SILENCER	1							\$

Remarks

(S) THESE PARTS ARE SOLD BY FIG.19.
REF.NO.1.

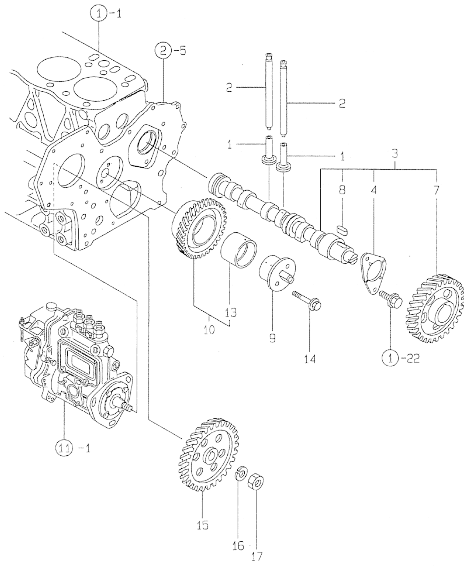
N:Old $\frac{YES}{NO}$ New. Q:Old $\frac{HE}{VCC}$ New. R:Old $\frac{YES}{VCC}$ New. S:Old $\frac{NO}{NO}$ New. W:Add. Z:Discontinued. F:Interchangeable by set. K:Qty Change
Copyright (C) YANMAR CO., LTD. All Rights Reserved.

OCD10-M44900

Fig.7. CAMSHAFT & DRIVE GEAR

YB30M450
3TNC78L-RHK

D19855-14100
D29100-25101
D29100-25200



No.	Lev.	Parts No.	Description	Q'ty						I	R
				(A)	(B)	(C)	(D)	(E)	(F)		
1	1	129150-14200	TAPPET	6							
2	1	119810-14400	ROD, PUSH	6							
3	1	119810-14580	CAMSHAFT ASSY	1							
4	2	129150-02450	BEARING, THRUST	1							
7	2	129150-14101	GEAR, CAMSHAFT	1							
8	2	22512-070140	KEY, 7X 14	1							
9	1	129100-25061	SHAFT, IDLE	1							
10	1	129150-25101	GEAR ASSY, IDLE	1							
13	2	129150-25920	BUSH, IDLE GEAR	1							1
14	1	26106-080452	BOLT, M8X 45 PLATED	2							
15	1	129150-25900	GEAR, PUMP	1							
16	1	22217-120000	WASHER, SPRING 12	1							
17	1	26716-120002	NUT, M12	1							

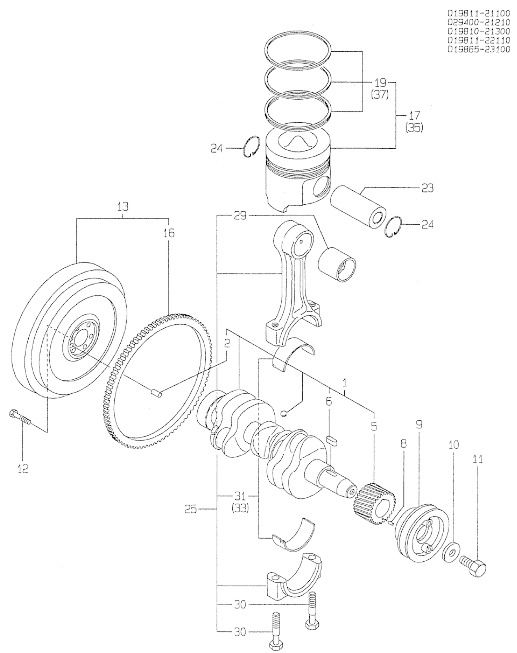
Remarks
(1) REPAIR PART.

N:Old $\frac{New}{Old}$ New, Q:Old $\frac{New}{Old}$ New, R:Old $\frac{New}{Old}$ New, S:Old $\frac{New}{Old}$ New, W:Add, Z:Discontinued, F:Interchangeable by set, K:Qty Change
Copyright (C) YANMAR CO., LTD. All Rights Reserved.

OCD10-M44900

Fig.8. CRANKSHAFT & PISTON

KG084490
3TNC78L-RHK



No.	Lev.	Parts No.	Description	Q'ty						I	R
				(A)	(B)	(C)	(D)	(E)	(F)		
1	1	719811-21700	CRANKSHAFT ASSY	1							
2	2	129100-01580	PIN, M8X16	1							
5	2	129150-21200	GEAR, CRANKSHAFT	1							
6	2	22512-070140	KEY, 7X 14	1							
8	1	22351-040010	PIN, SPRING 4.0X10	1							
9	1	129550-21650	V-PULLEY	1							
10	1	129795-21661	WASHER	1							
11	1	121850-21680	BOLT	1							
12	1	121111-21501	BOLT, FLYWHEEL	6							
13	1	171301-21580	FLYWHEEL ASSY	1							
16	2	119865-21600	GEAR, RING	1							
17	1	119811-22090	PISTON ASSY	3							
19	2	729550-22500	RING SET, PISTON	3							
23	1	104200-22300	PIN, PISTON	3							
24	1	129792-22400	CIRCLIP, 23	6							
25	1	719810-23100	ROD ASSY, CONNECTING	3							
29	2	119810-23910	BEARING, PISTON PIN	3							1
30	2	119810-23200	BOLT, CONNECTING ROD	6							
31	2	119810-23600	BEARING, CRANK PIN	3							
33	1	119810-23610	BEARING, 0.25 US	3							2
35	1	719811-22900	PISTON ASSY, 0.25 OS	3							3
37	2	729550-22950	RING SET, 0.25 OS	3							3

Remarks

- (1) REPAIR PART.
- (2) UNDER-SIZED(U.S=0.25)PART.
- (3) OVER-SIZED(O.S=0.25)PART.

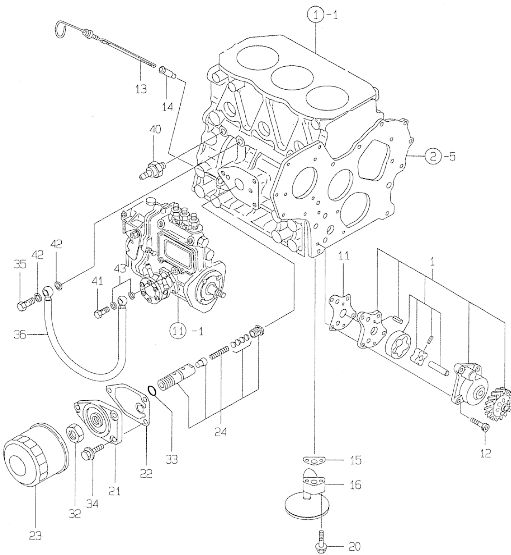
N:Old $\frac{100}{100}$ New, Q:Old $\frac{100}{100}$ New, R:Old $\frac{100}{100}$ New, S:Old $\frac{100}{100}$ New, W:Add, Z:Discontinued, F:Interchangeable by set, K:Q'ty Change
Copyright (C) YANMAR CO., LTD. All Rights Reserved.

OCD10-M44900

Fig.9. LUB. OIL SYSTEM

Y0204490
31N0795-79K

D19865-32100
D29100-34110
D19810-35110
D29100-35201
D19865-36110
D19800-36100



No.	Lev.	Parts No.	Description	Q'ty						I	R
				(A)	(B)	(C)	(D)	(E)	(F)		
1	1	119810-32000	PUMP ASSY, OIL	1							
11	1	129150-32020	GASKET, PUMP	1							\$
12	1	26450-060252	BOLT, M6X 25	4							
13	1	171420-34800	DIPSTICK, OIL	1							
14	1	121520-34810	GUIDE, DIPSTICK	1							
15	1	129150-35041	GASKET	1							\$
16	1	119810-35300	PIPE ASSY, OIL INLET	1							
20	1	26106-080352	BOLT, M8X 35 PLATED	2							
21	1	129150-35101	BRACKET, STRAINER	1							
22	1	129150-35111	GASKET	1							\$
23	1	129150-35151	FILTER, D80XL80	1							
24	1	119865-35300	VALVE ASSY, CONTROL	1							
32	1	129150-35350	NUT	1							
33	1	24311-000160	O-RING, 1AP16.0	1							\$
34	1	26106-080202	BOLT, M8X 20 PLATED	3							
35	1	124160-39140	BOLT, PIPE JOINT M10	1							
36	1	119810-39200	PIPE ASSY, OIL	1							
40	1	124160-39450	SWITCH, 0.5KG	1							
41	1	124550-59820	BOLT, PIPE JOINT M8	1							
42	1	23414-100000	GASKET, 10X1.0	2							\$
43	1	43400-500410	SEAL WASHER 8	2							

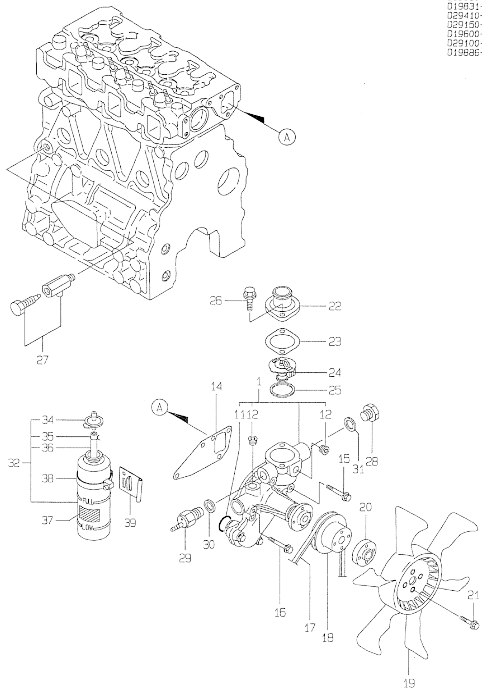
Remarks
 (S) THESE PARTS ARE SOLD BY FIG.19.
 REF.NO.1.

N:Old $\frac{New}{Old}$ New, Q:Old $\frac{New}{Old}$ New, R:Old $\frac{New}{Old}$ New, S:Old $\frac{New}{Old}$ New, W:Add, Z:Discontinued, F:Interchangeable by set, K:Q'ty Change
 Copyright (C) YANMAR CO., LTD. All Rights Reserved.

OCD10-M44900

Fig.10. COOLING WATER SYSTEM

Y0504-420
31N278L-RHK



019810-42100
019831-42300
029410-44400
029150-48200
019800-49300
029100-49510
019806-93010

(A)=3TNC78L-RHK
(B)=
(C)=

(D)=
(E)=
(F)=

No.	Lev.	Parts No.	Description	Q'ty						I	R
				(A)	(B)	(C)	(D)	(E)	(F)		
1	1	119810-42001	PUMP ASSY, WATER	1							
11	2	129150-42320	O-RING	1							
12	2	23871-030000	PLUG, R03	2							
14	1	129150-42020	GASKET, WATER PUMP	1							\$
15	1	26106-080352	BOLT, M8X 35 PLATED	1							
16	1	26106-080552	BOLT, M8X 55 PLATED	3							
17	1	119831-42290	V-BELT, A37.5	1							
18	1	129403-42380	V-PULLEY, D=110	1							
19	1	171440-44740	FAN, COOLING D350XQF	1							
20	1	124574-44761	SPACER, FAN	1							
21	1	26014-060252	BOLT, M6X 25	4							
22	1	129350-49530	COVER, THERMOSTAT	1							
23	1	129795-49551	GASKET	1							\$
24	1	129155-49800	THERMOSTAT, 71	1							
25	1	129150-49811	GASKET, THERMOSTAT	1							\$
26	1	26106-080202	BOLT, M8X 20 PLATED	2							
27	1	121550-49111	JOINT, PT1/4	1							
28	1	121450-42450	PLUG, M16	1							
29	1	121250-44901	SWITCH, 110	1							
30	1	124465-44950	GASKET, 16	1							\$
31	1	124465-44950	GASKET, 16	1							\$
32	1	124450-44510	TANK ASSY, SUB	1							
34	2	124450-44530	CAP	1							
35	2	124450-44560	RETAINER	1							
36	2	23061-070230	PIPE, 7X 230	1							
37	1	129410-44540	LABEL, SUB-TANK	1							
38	1	124450-44550	BAND	1							
39	1	121256-44600	BRACKET, SUB TANK	1							

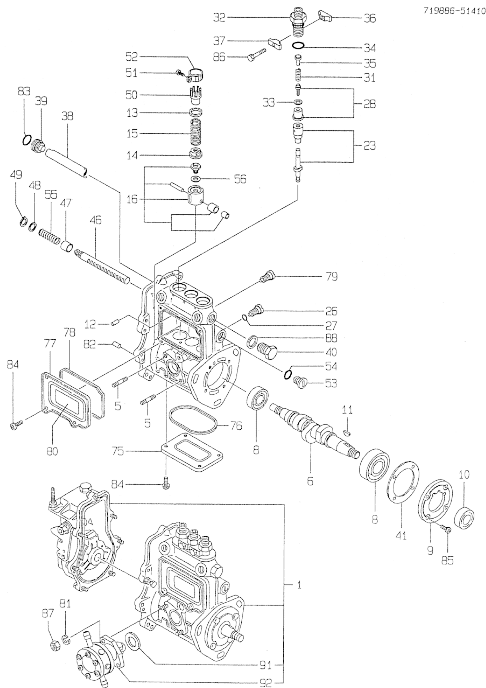
Remarks
(S) THESE PARTS ARE SOLD BY FIG.19.
REF.NO.1.

N:Old $\frac{100}{100}$ New, Q:Old $\frac{100}{100}$ New, R:Old $\frac{100}{100}$ New, S:Old $\frac{100}{100}$ New, W:Add, Z:Discontinued, F:Interchangeable by set, K:Qty Change
Copyright (C) YANMAR CO., LTD. All Rights Reserved.

OCD10-M44900

Fig.11. FUEL INJECTION PUMP

Y0004490
37NC78L-RHK



No.	Lev.	Parts No.	Description	Q'ty						I	R
				(A)	(B)	(C)	(D)	(E)	(F)		
1	1	719886-51410	PUMP ASSY, INJECTION	1							1
5	2	129155-51020	STUD	2							
6	2	119810-51040	CAMSHAFT	1							
8	2	122710-51050	BEARING, HR30203J	2							
9	2	129470-51060	RETAINER, BEARING	1							
10	2	129470-51080	SEAL, AF0741F0	1							
11	2	122710-51090	KEY	1							
12	2	129155-51140	PIN	3							
13	2	174307-51170	RETAINER, SPRING A	3							
14	2	129155-51180	RETAINER, SPRING	3							
15	2	124950-51190	SPRING, PLUNGER	3							
16	2	129155-51200	TAPPET ASSY	3							
23	2	129400-51200	PLUNGER ASSY	3							
26	2	129155-51270	STOPPER, TAPPET	3							
27	2	129155-51280	O-RING, S6	3							
28	2	128170-51300	VALVE ASSY, DELIVERY	3							
31	2	129155-51320	SPRING, DELIVERY	3							
32	2	129155-51340	RETAINER	3							
33	2	124550-51350	GASKET, DELIVERY	3							
34	2	124550-51370	O-RING	3							
35	2	129155-51370	STOPPER, VALVE	3							
36	2	129155-51380	STOPPER	2							
37	2	129155-51390	STOPPER	2							
38	2	129155-51400	DEFLECTOR	1							
39	2	129155-51410	BOLT	1							
40	2	129155-51420	PLUG, M16	1							
41	2	129155-51450	SHIM SET, ADJUSTING	1							
46	2	129155-51500	RACK, CONTROL	1							
47	2	129155-51521	BUSH, RACK	1							
48	2	129155-51530	SPACER	1							
49	2	129155-51540	CIRCLIP	1							
50	2	129155-51550	PINION, CONTROL	3							
51	2	122117-51560	SCREW	3							
52	2	174307-51560	PINION	3							
53	2	129155-51570	PLUG, M12	1							
54	2	129155-51580	O-RING	1							
55	2	129155-51591	SPRING, RACK	1							
56	2	129155-51600	SHIM SET, ADJUSTING	3							
75	2	129155-51700	COVER	1							
76	2	129155-51710	GASKET	1							
77	2	129155-51750	COVER	1							
78	2	129155-51760	GASKET	1							
79	2	129155-51790	STOOPER, RACK	1							
80	2	129156-51910	LABEL, CAUTION	1							
81	2	22217-060000	WASHER, SPRING 6	2							
82	2	22351-050010	PIN, SPRING 5.0X10	2							
83	2	24341-000160	O-RING, 1AS16.0	1							
84	2	26022-050102	SCREW, M5X10	8							
85	2	26022-060162	SCREW, M6X16	4							
86	2	26116-050302	BOLT, M5X 30 PLATED	2							
87	2	26716-060002	NUT, M6	2							

Remarks

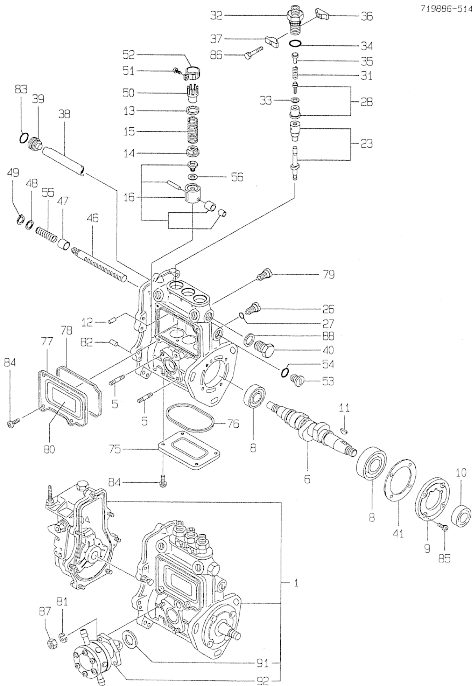
(1) GOVERNOR ASSY(FIG.13) IS INCORPORATED IN THIS FUEL INJECTION PUMP ASSY(REF.NO.1).

N:Old $\frac{100}{100}$ New, Q:Old $\frac{100}{100}$ New, R:Old $\frac{100}{100}$ New, S:Old $\frac{100}{100}$ New, W:Add, Z:Discontinued, F:Interchangeable by set, K:Q'ty Change
 ++ CONTINUE ++
 Copyright (C) YANMAR CO., LTD. All Rights Reserved.

Fig.11. FUEL INJECTION PUMP

Y30U4490
374C78L-RHK

719886-51410



(A)=3TNC78L-RHK
(B)=
(C)=

(D)=
(E)=
(F)=

No.	Lev.	Parts No.	Description	Q'ty					
				(A)	(B)	(C)	(D)	(E)	(F)
88	2	43400-500490	SEAL WASHER 16	1					
91	2	129155-52050	GASKET	1					
92	2	129100-52100	PUMP ASSY, FUEL FEED	1					

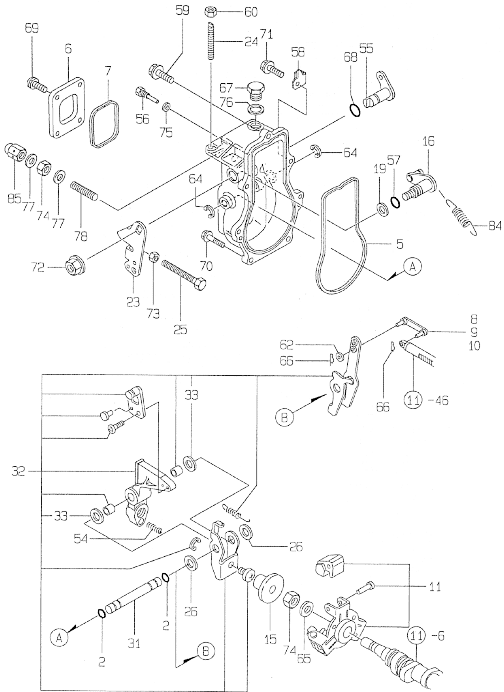
Remarks
(1) GOVERNOR ASSY(FIG.13) IS
INCORPORATED IN THIS FUEL
INJECTION PUMP ASSY(REF.NO.1).

OCD10-M44900

Fig.12. GOVERNOR

YC004490
3TNC78L-RHK

715996-51410



(A)=3TNC78L-RHK
(B)=
(C)=

(D)=
(E)=
(F)=

No.	Lev.	Parts No.	Description	Qty						I	R
				(A)	(B)	(C)	(D)	(E)	(F)		
2	2	129155-51280	O-RING, S6	2							
5	2	129155-61050	GASKET	1							
6	2	129155-61060	COVER, GOVERNOR CASE	1							
7	2	129155-61070	GASKET	1							
8	2	129155-61120	LINK, L=30 MARK 0	1							
9	2	129155-61130	LINK, L=31 MARK 1	1							
10	2	129155-61140	LINK, L=30.5 MARK 05	1							
11	2	129155-61201	WEIGHT ASSY, GOVERNOR	1							
15	2	129155-61341	SLEEVE	1							
16	2	129100-61400	SHAFT ASSY	1							
19	2	129155-61430	SPACER	1							
23	2	129100-61440	LEVER, CONTROL	1							
24	2	129155-61450	BOLT, LIMITER	1							
25	2	129155-61460	BOLT, IDLE	1							
26	2	129155-61480	SPACER ASSY	2							
31	2	129155-61490	SHAFT	1							
32	2	129116-61500	LEVER ASSY, GOVERNOR	1							
33	3	174307-51700	SHIM SET	2							
54	2	129500-61650	SPRING, FUEL CONTROL	1							
55	2	129116-61803	LEVER, STOP	1							
56	2	129155-61810	PIN	1							
57	2	129155-61830	O-RING, S10	1							
58	2	129116-61890	SUPPORT	1							
59	2	129155-61950	BOLT	1							
60	2	124550-66370	NUT, M6	1							
62	2	22117-040000	WASHER, 4	1							
64	2	22272-000060	RING, E-6	2							
65	2	22287-120000	WASHER, 12	1							
66	2	22372-040000	PIN, SNAP 4	2							
67	2	23887-100002	PLUG, 10	1							
68	2	24311-240100	O-RING, 1AP10A	1							
69	2	26022-050102	SCREW, M5X10	4							
70	2	26106-060202	BOLT, M6X 20 PLATED	5							
71	2	26106-060252	BOLT, M6X 25 PLATED	1							
72	2	26366-080002	NUT, M8	1							
73	2	26756-060002	NUT, LOCK M6	1							
74	2	26776-120002	NUT, LOCK M12	2							
75	2	43400-500390	SEAL WASHER 6	1							
76	2	43400-500430	SEAL WASHER 10	1							
77	2	43400-500450	SEAL WASHER 12	2							
78	1	129129-61450	LIMITER ASSY, FUEL	1							
84	1	129500-61700	SPRING, GOVERNOR	1							
85	1	26687-120002	NUT, CAP M12	1							

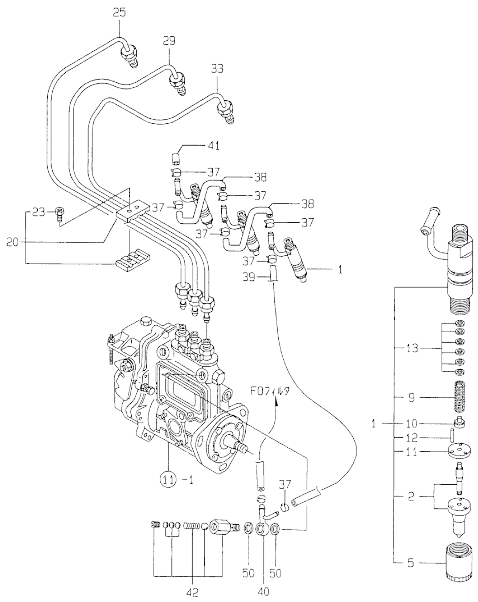
N:Old $\frac{100}{100}$ New, Q:Old $\frac{100}{100}$ New, R:Old $\frac{100}{100}$ New, S:Old $\frac{100}{100}$ New, W:Add, Z:Discontinued, F:Interchangeable by set, K:Qty Change
Copyright (C) YANMAR CO., LTD. All Rights Reserved.

OCD10-M44900

Fig.13. FUEL INJECTION VALVE

Y0004490
3TNC78L-RHK

D19811-59100
D19811-59100
D19897-59310



No.	Lev.	Parts No.	Description	Q'ty						I	R
				(A)	(B)	(C)	(D)	(E)	(F)		
1	1	729102-53100	VALVE ASSY,INJECTION	3							
2	2	129102-53000	VALVE ASSY,INJECTION	3							
5	2	114250-53080	NUT, NOZZLE D16.95	3							
9	2	114250-53120	SPRING, NOZZLE	3							
10	2	114250-53130	SEAT, SPRING	3							
11	2	114250-53140	PLATE	3							
12	2	114250-53210	PIN	6							
13	2	114250-53400	SHIM SET	3							
20	1	129150-59120	RETAINER, PIPE	1							
23	2	129150-59130	BOLT, M4X12	2							
25	2	119811-59810	PIPE ASSY, INJECTION	1							
29	2	119811-59820	PIPE ASSY, INJECTION	1							
33	2	119811-59830	PIPE ASSY, INJECTION	1							
37	1	124066-59100	CLIP, HOSE 8	7							
38	1	121250-59550	PIPE, FUEL D8X120	2							
39	1	119840-59560	PIPE, FUEL RETURN	1							
40	1	119840-59570	JOINT	1							
41	1	129150-59580	CAP	1							
42	1	129100-59951	VALVE ASSY, CHECK	1							
50	1	23414-120000	GASKET, 12X1.0	2							\$

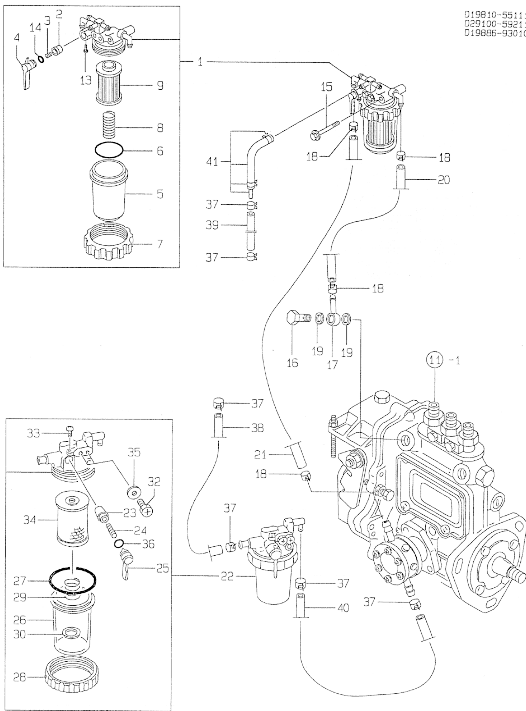
Remarks
 (S) THESE PARTS ARE SOLD BY FIG.19.
 REF.NO.1.

N:Old $\frac{100}{100}$ New, Q:Old $\frac{100}{100}$ New, R:Old $\frac{100}{100}$ New, S:Old $\frac{100}{100}$ New, W:Add, Z:Discontinued, F:Interchangeable by set, K:Q'ty Change
 Copyright (C) YANMAR CO., LTD. All Rights Reserved.

OCD10-M44900

Fig.14. FUEL STRAINER & FUEL PIPES

Y0004499
3TNC78L-RHK



No.	Lev.	Parts No.	Description	Q'ty						I	R
				(A)	(B)	(C)	(D)	(E)	(F)		
1	1	119810-55621	FILTER ASSY, FUEL	1							
2	2	104200-55321	VALVE, TAPER	1							
3	2	104200-55330	SPRING, VALVE	1							
4	2	119810-55340	LEVER	1							
5	2	121254-55510	COVER	1							
6	2	102103-55520	O-RING	1							
7	2	110250-55610	RING, RETAINING	1							
8	2	121250-55620	SPRING	1							
9	2	119810-55650	ELEMENT	1							
13	2	104200-55750	SCREW, M4	1							
14	2	24311-240100	O-RING, 1AP10A	1							
15	1	26014-080702	BOLT, M8X 70	1							
16	1	103854-39140	BOLT, PIPE JOINT	1							
17	1	101304-59020	JOINT, PIPE 12	1							
18	1	124766-59050	CLIP, HOSE 12	4							
19	1	104200-59170	GASKET, 12	2							\$
20	1	129555-59510	PIPE, D13/7.5X180	1							
21	1	105025-59530	PIPE, FUEL D13X400	1							
22	1	171009-55700	SEPARATOR ASSY, WATER	1							
23	2	104200-55321	VALVE, TAPER	1							
24	2	104200-55330	SPRING, VALVE	1							
25	2	104200-55341	HANDLE	1							
26	2	124064-55510	COVER	1							
27	2	102103-55520	O-RING	1							
28	2	110250-55610	RING, RETAINING	1							
29	2	121257-55720	SPRING	1							
30	2	121257-55731	FLOAT	1							
32	2	101720-55750	PLUG, 6	2							
33	2	104200-55750	SCREW, M4	1							
34	2	171081-55910	SCREEN	1							
35	2	23418-060000	GASKET, 6X1.0	2							
36	2	24311-240100	O-RING, 1AP10A	1							
37	1	124766-59050	CLIP, HOSE 12	7							
38	1	121256-59090	PIPE, FUEL	1							
39	1	124936-59090	PIPE, FUEL	1							
40	1	124323-59100	PIPE, FUEL D12X600	1							
41	1	119840-59601	BEND	2							

Remarks
 (S) THESE PARTS ARE SOLD BY FIG.19.
 REF.NO.1.

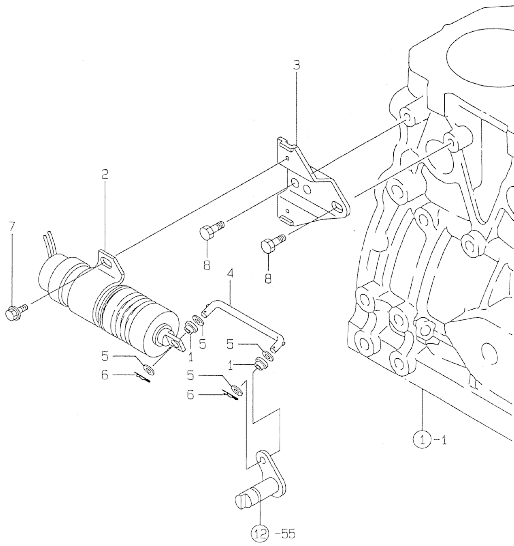
N:Old $\frac{100}{100}$ New, Q:Old $\frac{100}{100}$ New, R:Old $\frac{100}{100}$ New, S:Old $\frac{100}{100}$ New, W:Add, Z:Discontinued, F:Interchangeable by set, K:Qty Change
 Copyright (C) YANMAR CO., LTD. All Rights Reserved.

OCD10-M44900

Fig.15. ENGINE STOP DEVICE

Y30D4420
3TNC78L-RHK

029195-66811



(A)=3TNC78L-RHK
(B)=
(C)=

(D)=
(E)=
(F)=

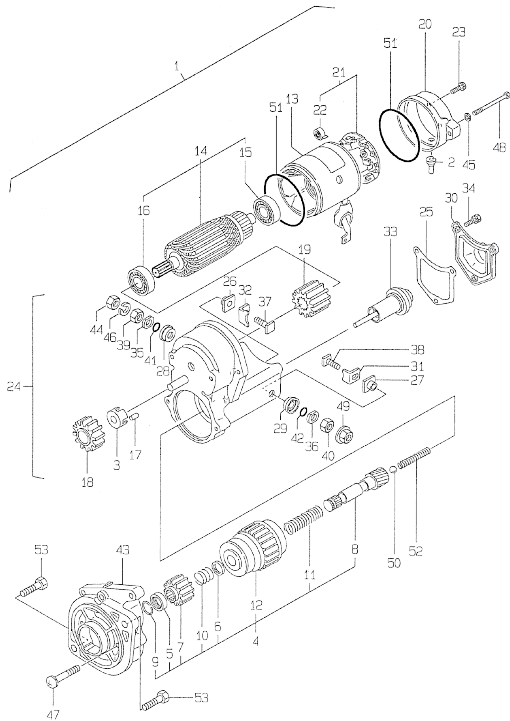
No.	Lev.	Parts No.	Description	Q'ty					
				(A)	(B)	(C)	(D)	(E)	(F)
1	1	119245-66400	BUSH	2					
2	1	129155-66800	SOLENOID	1					
3	1	129155-66811	BRACKET, SOLENOID	1					
4	1	129155-66822	LINK, SOLENOID	1					
5	1	22137-040000	WASHER, 4	4					
6	1	22360-040000	PIN, SNAP 4	2					
7	1	26106-060102	BOLT, M6X 10 PLATED	2					
8	1	26116-080122	BOLT, M8X 12 PLATED	2					

OCD10-M44900

Fig.16. STARTING MOTOR

Y004496
3TNC78L-RHK

U71352-77100



No.	Lev.	Parts No.	Description	Q'ty						I	R
				(A)	(B)	(C)	(D)	(E)	(F)		
1	1	121120-77011	STARTER	1							
2	2	X0280620480	COVER	1							
3	2	X0280630011	RETAINER	1							
4	2	X0280992381	CLUTCH KIT	1							
5	3	X0280210230	NUT	1							
6	3	X0283270140	RETAINER	1							
7	3	X0283711770	PINION	1							
8	3	X0283810040	SHAFT	1							
9	3	X9490721080	RING	1							
10	3	X9491703371	SPRING, COIL	1							
11	3	X9491704260	SPRING	1							
12	3	121120-77930	CASE ASSY, STARTER	1							
13	2	X0281003770	YOKE ASSY	1							
14	2	X0282002320	HOUSING ASSY	1							
15	3	X9491002590	BALL BEARING	1							
16	3	X9491002760	BALL BEARING	1							
17	2	X0283060061	ROLLER	5							
18	2	X0283711420	PINION	1							
19	2	X0283712360	PINION	1							
20	2	X0285011600	FRAME	1							
21	2	X0285100750	HOLDER ASSY, BRUSH	1							
22	3	X9491730461	SPRING	1							
23	2	X0289030010	SCREW	2							
24	2	X0534006470	SWITCH ASSY, MAGNET.	1							
25	3	X0534040320	GASKET	1							
26	3	X0534490120	BUSH	1							
27	3	X0534490120	BUSH	1							
28	3	X0534490230	BUSH	1							
29	3	X0534490230	BUSH	1							
30	3	X0535050620	COVER	1							
31	3	X0535130241	PLATE (B)	1							
32	3	X0535130320	PLATE (A)	1							
33	3	X0536600401	PLUNGER	1							
34	3	X9151005141	BOLT W/WASHER	3							
35	3	X9490170900	WASHER	1							
36	3	X9490170900	WASHER	1							
37	3	X9490441303	BOLT	1							
38	3	X9490441312	BOLT	1							
39	3	X9490502820	NUT	1							
40	3	X9490502820	NUT	1							
41	3	X9491402100	O-RING	1							
42	3	X9491402100	O-RING	1							
43	2	X1284000710	HOUSING	1							
44	2	X9019008651	NUT	1							
45	2	X9025806001	WASHER	2							
46	2	X9025808001	WASHER	1							
47	2	X9490071970	SCREW W/WASHER	2							
48	2	X9490422570	BOLT	2							
49	2	X9490561370	NUT	1							
50	2	X9491200240	BALL	1							
51	2	X9491403700	O-RING	2							

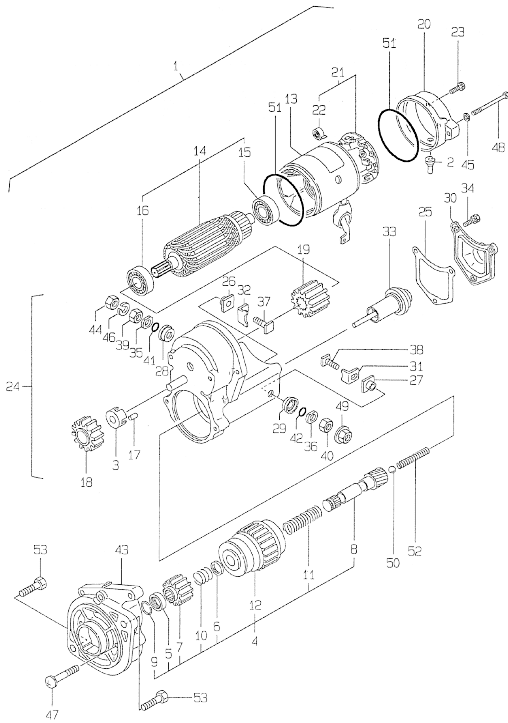
N:Old $\frac{100}{100}$ New, Q:Old $\frac{100}{100}$ New, R:Old $\frac{100}{100}$ New, S:Old $\frac{100}{100}$ New, W:Add, Z:Discontinued, F:Interchangeable by set, K:Q'ty Change
 ++ CONTINUE ++
 Copyright (C) YANMAR CO., LTD. All Rights Reserved.

OCD10-M44900

Fig.16. STARTING MOTOR

Y0004490
3TNC78L→HKK

U71352-77100



(A)=3TNC78L-RHK
(B)=
(C)=

(D)=
(E)=
(F)=

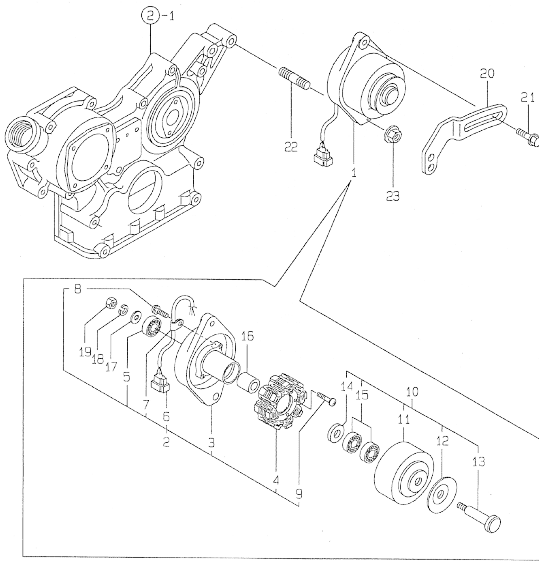
No.	Lev.	Parts No.	Description	Q'ty					
				(A)	(B)	(C)	(D)	(E)	(F)
52	2	X9491703380	SPRING	1					
53	1	26116-120252	BOLT, M12X 25 PLATED	2					

OCD10-M44900

Fig.17. GENERATOR

Y00D4450
3TNC78L-RHK

D29410-77200
D19810-77310



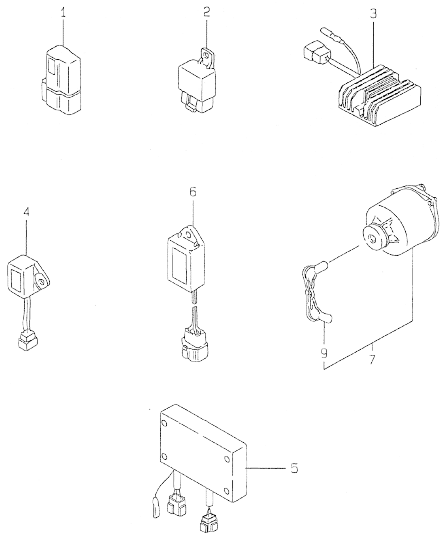
No.	Lev.	Parts No.	Description	Q'ty						I	R
				(A)	(B)	(C)	(D)	(E)	(F)		
1	1	171301-77201	DYNAMO ASSY, 15A	1							
2	2	XM08137	PLATE ASSY	1							
3	3	XM08138	PLATE	1							
4	3	XM08180	STATOR ASSY	1							
5	3	XM27436	BALL BEARING	1							
6	3	XM17878	COUPLER	1							
7	3	XM36410	CLAMP	1							
8	3	26022-040252	SCREW, M4X25	2							
9	3	XYSPS4008	SCREW	1							
10	2	XM82184	FLYWHEEL ASSY	1							
11	3	XM82110	FLYWHEEL	1							
12	3	XM72174	PULLEY	1							
13	3	XM72664	SHAFT	1							
14	3	XM37336	WASHER	1							
15	3	XM27436	BALL BEARING	2							
16	2	106383-44720	SPACER	1							
17	2	106383-44730	WASHER	1							
18	2	22212-100000	WASHER 10,SPRING	1							
19	2	26716-100002	NUT, M10	1							
20	1	119810-77330	ADJUSTER	1							
21	1	26014-080252	BOLT, M8X 25	1							
22	1	121450-01570	STUD	1							
23	1	26366-100002	NUT, M10	1							

OCD10-M44900

Fig.18. ELECTRIC PARTS

Y0204490
3TNC78L-RHK

D19986-93010



(A)=3TNC78L-RHK
(B)=
(C)=

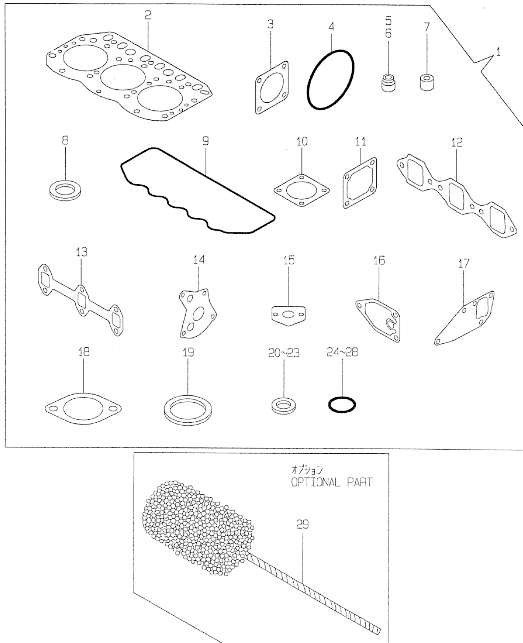
(D)=
(E)=
(F)=

No.	Lev.	Parts No.	Description	Q'ty					
				(A)	(B)	(C)	(D)	(E)	(F)
1	1	119643-66900	DIODE	1					
2	1	119247-77100	RELAY, SAFETY	2					
3	1	129132-77700	LIMITER, RS5136	1					
4	1	121522-77721	INDICATOR	1					
5	1	171440-77801	RELAY, EMERGENCY	1					
6	1	128300-77920	TIMER	1					
7	1	129115-91250	SWITCH ASSY	1					
9	2	129115-91270	KEY ASSY	1					

OCD10-M44900

Fig.19. GASKET SET(OPTIONAL)

YB9D41930
37NC78L-RHK



(A)=3TNC78L-RHK
(B)=
(C)=

(D)=
(E)=
(F)=

No.	Lev.	Parts No.	Description	Qty						I	R	
				(A)	(B)	(C)	(D)	(E)	(F)			
1	1	719811-92610	GASKET SET	1							1	
2	2	119811-01330	GASKET, HEAD T=1.4	1								
3	2	124240-01883	GASKET	1								
4	2	121850-51960	O-RING	1								
5	2	124160-11340	SEAL, VALVE STEM	3								
6	2	124950-11340	SEAL, VALVE STEM	3								
7	2	119625-11870	PROTECTOR, NOZZLE	3								
8	2	119625-11880	SEAT, NOZZLE	3								
9	2	119865-11310	GASKET, BONNET	1								
10	2	124701-11911	GASKET, SILENCER	1								
11	2	129150-77511	GASKET	1								
12	2	119810-12111	GASKET, MANIFOLD	1								
13	2	129810-13110	GASKET, MANIFOLD EXH	1								
14	2	129150-32020	GASKET, PUMP	1								
15	2	129150-35041	GASKET	1								
16	2	129150-35111	GASKET	1								
17	2	129150-42020	GASKET, WATER PUMP	1								
18	2	129795-49551	GASKET	1								
19	2	129150-49811	GASKET, THERMOSTAT	1								
20	2	124465-44950	GASKET, 16	2								
21	2	23414-100000	GASKET, 10X1.0	2								
22	2	23414-120000	GASKET, 12X1.0	2								
23	2	104200-59170	GASKET, 12	2								
24	2	24311-000320	O-RING, 1AP32.0	1								
25	2	24341-000500	O-RING, 1AS50.0	1								
26	2	24311-000320	O-RING, 1AP32.0	1								
27	2	24311-000120	O-RING, 1AP12.0	3								
28	2	24311-000160	O-RING, 1AP16.0	3								
29	1	129400-92420	FLEX HORN	1								1

Remarks
(1) OPTIONAL PART.

N:Old $\frac{100}{100}$ New, Q:Old $\frac{100}{100}$ New, R:Old $\frac{100}{100}$ New, S:Old $\frac{100}{100}$ New, W:Add, Z:Discontinued, F:Interchangeable by set, K:Qty Change
Copyright (C) YANMAR CO., LTD. All Rights Reserved.

Parts No. Index

Parts No.	Fig. No.	Ref. No.
101158-11190	4	22
101304-59020	14	17
101720-55750	14	32
102103-55520	14	6
	27	
103854-39140	14	16
104200-22300	8	23
104200-55321	14	2
	23	
104200-55330	14	3
	24	
104200-55341	14	25
104200-55750	14	13
	33	
104200-59170	14	19
	19	23
104211-11180	4	21
104211-11370	4	25
105025-59530	14	21
106383-44720	17	16
106383-44730	17	17
110250-55610	14	7
	28	
114250-53080	13	5
114250-53120	13	9
114250-53130	13	10
114250-53140	13	11
114250-53210	13	12
114250-53400	13	13
119245-66400	15	1
119247-77100	18	2
119620-01750	3	3
119620-02020	1	7
119625-11870	4	42
	19	7
119625-11880	4	43
	19	8
119625-11900	4	44
119643-66900	18	1
119810-01200	1	23
119810-01730	3	6
119810-01770	3	8
119810-01780	3	17
119810-02870	1	25
119810-02940	1	28
119810-11080	4	27
119810-11090	4	28
119810-11100	4	18
119810-11120	4	20
119810-11130	4	19

Parts No.	Fig. No.	Ref. No.
119810-11240	4	31
119810-11350	4	47
119810-12100	5	1
119810-12111	5	2
	19	12
119810-13110	6	2
119810-14400	7	2
119810-14580	7	3
119810-23200	8	30
119810-23600	8	31
119810-23610	8	33
119810-23910	8	29
119810-32000	9	1
119810-35300	9	16
119810-39200	9	36
119810-42001	10	1
119810-51040	11	6
119810-55340	14	4
119810-55621	14	1
119810-55650	14	9
119810-77330	17	20
119811-01330	1	24
	19	2
119811-22090	8	17
119811-59810	13	25
119811-59820	13	29
119811-59830	13	33
119831-42290	10	17
119840-59560	13	39
119840-59570	13	40
119840-59601	14	41
119856-03090	4	1
119865-11200	4	30
119865-11310	4	54
	19	9
119865-21600	8	16
119865-35300	9	24
119888-13101	6	1
121023-01550	2	25
121111-21501	8	12
121120-77011	16	1
121120-77930	16	12
121250-44901	10	29
121250-55620	14	8
121250-59550	13	38
121254-55510	14	5
121256-44600	10	39
121256-59090	14	38
121257-55720	14	29
121257-55731	14	30

Parts No.	Fig. No.	Ref. No.
121450-01560	2	6
121450-01570	17	22
121450-42450	10	28
121520-34810	9	14
121522-77721	18	4
121550-49111	10	27
121850-11860	4	13
121850-21680	8	11
121850-51960	2	12
	19	4
122117-51560	11	51
122710-51050	11	8
122710-51090	11	11
124060-11800	4	12
124064-55510	14	26
124066-59100	13	37
124160-01751	2	7
	4	48
124160-01910	1	5
124160-11340	4	23
	19	5
124160-11360	4	58
124160-39140	9	35
124160-39450	9	40
124240-01871	2	8
124240-01883	2	9
	19	3
124323-59100	14	40
124450-44510	10	32
124450-44530	10	34
124450-44550	10	38
124450-44560	10	35
124465-44950	10	30
	31	
	19	20
124550-51350	11	33
124550-51370	11	34
124550-59820	9	41
124550-66370	12	60
124574-44761	10	20
124701-11911	6	7
	19	10
124736-07900	4	5
124766-59050	14	18
	37	
124936-59090	14	39
124950-11340	4	24
	19	6
124950-51190	11	15
128170-51300	11	28

Parts No.	Fig. No.	Ref. No.
128300-77920	18	6
129100-01580	3	1
	8	2
129100-25061	7	9
129100-52100	11	92
129100-59951	13	42
129100-61400	12	16
129100-61440	12	23
129100-77500	5	4
129100-77510	5	5
129102-53000	13	2
129115-91250	18	7
129115-91270	18	9
129116-61500	12	32
129116-61803	12	55
129116-61890	12	58
129129-61450	12	78
129132-77700	18	3
129150-02450	7	4
129150-03020	4	49
129150-03070	4	50
129150-03080	4	51
129150-03100	2	11
129150-11230	4	38
129150-11280	4	36
129150-11750	4	40
129150-14101	7	7
129150-14200	7	1
129150-21200	8	5
129150-25101	7	10
129150-25900	7	15
129150-25920	7	13
129150-32020	9	11
	19	14
129150-35041	9	15
	19	15
129150-35101	9	21
129150-35111	9	22
	19	16
129150-35151	9	23
129150-35350	9	32
129150-42020	10	14
	19	17
129150-42320	10	11
129150-49811	10	25
	19	19
129150-59120	13	20
129150-59130	13	23
129150-59580	13	41

Parts No. Index

Parts No.	Fig. No.	Ref. No.
129150-77511	5	6
	19	11
129155-11260	4	34
129155-11270	4	35
129155-49800	10	24
129155-51020	11	5
129155-51140	11	12
129155-51180	11	14
129155-51200	11	16
129155-51270	11	26
129155-51280	11	27
	12	2
129155-51320	11	31
129155-51340	11	32
129155-51370	11	35
129155-51380	11	36
129155-51390	11	37
129155-51400	11	38
129155-51410	11	39
129155-51420	11	40
129155-51450	11	41
129155-51500	11	46
129155-51521	11	47
129155-51530	11	48
129155-51540	11	49
129155-51550	11	50
129155-51570	11	53
129155-51580	11	54
129155-51591	11	55
129155-51600	11	56
129155-51700	11	75
129155-51710	11	76
129155-51750	11	77
129155-51760	11	78
129155-51790	11	79
129155-52050	11	91
129155-61050	12	5
129155-61060	12	6
129155-61070	12	7
129155-61120	12	8
129155-61130	12	9
129155-61140	12	10
129155-61201	12	11
129155-61341	12	15
129155-61430	12	19
129155-61450	12	24
129155-61460	12	25
129155-61480	12	26
129155-61490	12	31
129155-61810	12	56

Parts No.	Fig. No.	Ref. No.
129155-61830	12	57
129155-61950	12	59
129155-66800	15	2
129155-66811	15	3
129155-66822	15	4
129156-51910	11	80
129350-49530	10	22
129400-01520	2	5
129400-51200	11	23
129400-92420	19	29
129403-42380	10	18
129410-44540	10	37
129470-51060	11	9
129470-51080	11	10
129500-61650	12	54
129500-61700	12	84
129550-21650	8	9
129555-59510	14	20
129792-22400	8	24
129795-01800	2	4
129795-01950	2	10
129795-02411	1	21
129795-21661	8	10
129795-49551	10	23
	19	18
	19	13
129810-13110	19	13
171009-55700	14	22
171051-01921	1	6
171081-55910	14	34
171301-01600	3	2
171301-01640	3	9
171301-21580	8	13
171301-77201	17	1
171340-77520	5	7
171420-34800	9	13
171440-44740	10	19
171440-77801	18	5
174307-51170	11	13
174307-51560	11	52
174307-51700	12	33
194990-22050	6	3
22117-040000	12	62
22137-040000	15	5
22212-100000	17	18
22217-060000	11	81
22217-120000	7	16
22272-000060	12	64
22287-120000	12	65
22351-040010	8	8
22351-050010	11	82

Parts No.	Fig. No.	Ref. No.
22360-040000	15	6
22372-040000	12	66
22512-070140	7	8
	8	6
23061-070230	10	36
23414-100000	9	42
	19	21
23414-120000	13	50
	19	22
	14	35
23418-060000	14	35
23871-010000	1	10
23871-030000	4	14
	10	12
	12	67
23887-100002	1	11
24311-000120	4	59
	19	27
24311-000160	2	13
	9	33
	19	28
24311-000320	2	14
	4	55
	19	24
	26	26
24311-240100	12	68
	14	14
	36	36
24341-000160	11	83
24341-000240	2	26
	3	11
24341-000500	4	56
	19	25
26014-060252	10	21
26014-080252	17	21
26014-080702	14	15
26022-040252	17	8
26022-050102	11	84
	12	69
26022-060162	11	85
26106-060102	15	7
26106-060122	2	27
26106-060202	12	70
26106-060252	12	71
26106-080122	2	15
26106-080142	4	6
26106-080162	1	22
	2	16
	17	17
	3	12
	4	57

Parts No.	Fig. No.	Ref. No.
26106-080202	2	18
	9	34
	10	26
26106-080252	4	45
	5	3
26106-080302	3	18
26106-080352	3	19
	9	20
	10	15
26106-080402	5	8
26106-080452	2	19
	3	13
	7	14
26106-080502	4	46
26106-080552	2	20
	10	16
26106-080602	6	4
26106-080802	5	9
26106-080852	2	21
26116-050302	11	86
26116-080122	15	8
26116-120252	16	53
26206-100252	3	4
26206-100302	3	5
26216-060302	4	15
26216-080222	6	5
26216-080602	6	6
26226-080182	4	41
26366-060002	4	29
26366-080002	2	22
	12	72
26366-100002	17	23
26450-060252	9	12
26687-120002	12	85
26716-060002	11	87
26716-100002	17	19
26716-120002	7	17
26756-060002	12	73
26776-120002	12	74
27231-500000	1	12
27241-120000	1	13
27241-220000	4	16
27241-300000	1	14
27241-400000	4	17
27310-070001	4	22 -1
43400-500390	12	75
43400-500410	2	23
	9	43
	12	76
43400-500430	12	76

Parts No. Index

Parts No.	Fig. No.	Ref. No.
43400-500450	12	77
43400-500490	11	88
719810-01500	2	1
719810-01650	3	15
719810-02800	1	15
719810-02930	1	18
719810-11650	4	37
719810-23100	8	25
719811-01100	1	1
719811-11710	4	7
719811-21700	8	1
719811-22900	8	35
719811-92610	19	1
719886-51410	11	1
729102-53100	13	1
729550-22500	8	19
729550-22950	8	37
X0280210230	16	5
X0280620480	16	2
X0280630011	16	3
X0280992381	16	4
X0281003770	16	13
X0282002320	16	14
X0283060061	16	17
X0283270140	16	6
X0283711420	16	18
X0283711770	16	7
X0283712360	16	19
X0283810040	16	8
X0285011600	16	20
X0285100750	16	21
X0289030010	16	23
X0534006470	16	24
X0534040320	16	25
X0534490120	16	26
		27
X0534490230	16	28
		29
X0535050620	16	30
X0535130241	16	31
X0535130320	16	32
X0536600401	16	33
X1284000710	16	43
X9019008651	16	44
X9025806001	16	45
X9025808001	16	46
X9151005141	16	34
X9490071970	16	47
X9490170900	16	35
		36

Parts No.	Fig. No.	Ref. No.
X9490422570	16	48
X9490441303	16	37
X9490441312	16	38
X9490502820	16	39
		40
X9490561370	16	49
X9490721080	16	9
X9491002590	16	15
X9491002760	16	16
X9491200240	16	50
X9491402100	16	41
		42
X9491403700	16	51
X9491703371	16	10
X9491703380	16	52
X9491704260	16	11
X9491730461	16	22
XM08137	17	2
XM08138	17	3
XM08180	17	4
XM17878	17	6
XM27436	17	5
		15
XM36410	17	7
XM37336	17	14
XM72174	17	12
XM72664	17	13
XM82110	17	11
XM82184	17	10
XYSPS4008	17	9

Parts No.	Fig. No.	Ref. No.
-----------	----------	----------

Parts No.	Fig. No.	Ref. No.
-----------	----------	----------