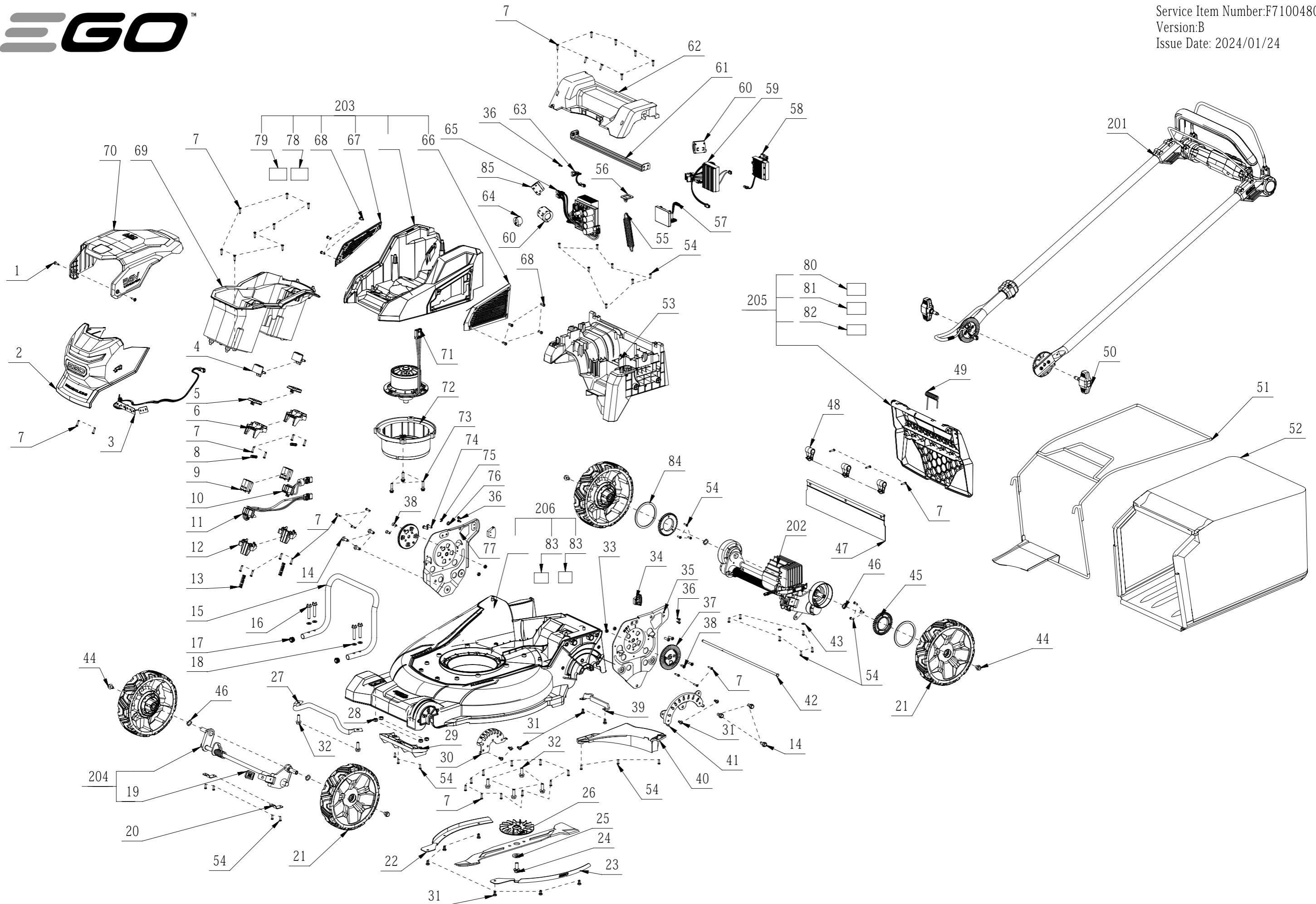




Product Description:Lawn Mower
Model Number:LMX5300SP
Service Item Number:F710048002S01
Version:B
Issue Date: 2024/01/24





BILL OF MATERIALS

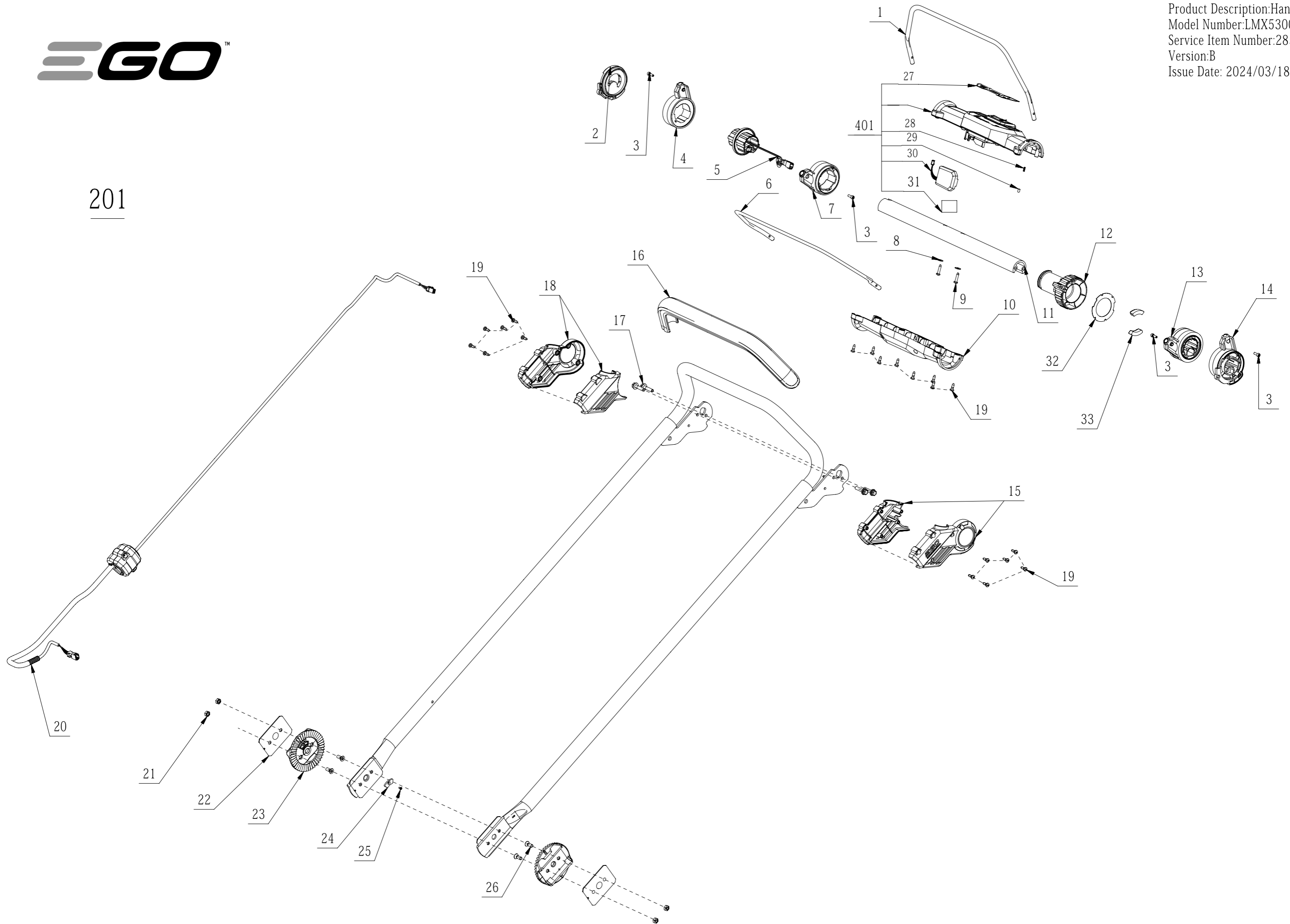
LMX5300SP Lawn Mowers

Index No.	Art. No.	Description EN	Description DE	Tls	Supersession	QTY in machine	Torque (Nm)	MPQ	Repair Time (min)	Priority part	Recommended Stock Qty
1	5610893001					2			1		
2	2850824001					1			20		
3	2831846001					1			15		
4	3126760001	Release Button	Akku Entriegelungskopf			2		1	20		
5	3126772001	Sliding Block	Gleitstück VE 1			2		1	20		
6	3131425001	Support Base				2			20		
7	5620157006	Hexagon Socket Screw	Inbusschraube			45		10	1		
8	3660303002	Spring	Feder			2		10	20		
9	3131427001	Sliding Block	Sliding Block			2		1	20		
10	4860957006					1			20		
11	4860957005					1			20		
12	3131426001	Supporting Structure				2			20		
13	3660979001	Compression Spring	Druckfeder			2		10	20		
14	5640360001	Hexagon Flange Head Thread Forming Screw	Schraube			6		10	5		
15	3709127001					1			10		
16	5640483001					4			5		
17	3135471001					2			2		
18	5650025007	Washer	Unterlegscheibe			4		10	1		
19	3134856001					1			1		
20	3705216001	Mounting Plate	Montageplatte; VE1			2		1	5		
21	2850227001					4			10		
22	3709126001					1			10		
23	3709118001					1			10		
24	5640226002	Flange Bolt	Befestigungsschraube Messr			1		10	5		
25	5650510001	Washer	Scheibe			1		10	5		
26	3300081001					1			10		
27	3709123001					1			20		
28	5630271001	Nut	Gewindemutter			4		10	5		
29	3134854001					1			5		
30	3709119001					1			20		
31	5610388001	Hexalobular Socket Thread Forming Screw	Schraube			13		10	1		
32	5640354001	Flange Bolt-Large Series	Flanschbolzen			6		10	5		
33	5630571001					4			5		
34	3134881001					2			5		
35	2850613001					1			30		
36	5620377003	Hexagon Socket Screw	Sechskantschraube			5		10	1		
37	3423561001					2			30		
38	5611201001					4			1		
39	3709179001					1			5		
40	3135545001					1			20		
41	3709128001					1			20		
42	5670758001					1			10		
43	5650004008	Plain Washer				2		10	1		
44	5640010006					4			5		
45	3570577001					2			10		
46	5650453001	Wave Washer	Federring			4		10	5		
47	3134857001					1			10		
48	3129770001	Bevel Support	Schelle			3		1	5		
49	3668048001					1			30		
50	3403524001					2			20		
51	2850181001					1			1		
52	3800246002					1			5		
53	3134868001					1			50		
54	5620511004					29			1		
55	3667942001					1			20		
56	3706726001	Spring Seat	Federhalterung			1		1	20		
57	2832058001					1			20		
58	2832078001					1			20		
59	2832002002					1			20		
60	3680390001					2			10		
61	2850092001					1			10		
62	3134887001					1			30		
63	2831845001					1			10		
64	3680389001					1			10		
65	2832106001					1			20		
66	2850595001					1			20		
67	2850594001					1			20		
68	5611280001					7			1		
69	3134891001					1			40		
70	2850590002					1			10		
71	2730413001					1			35		
72	3403523001					1			35		
73	5640217004	Bolt and Washer Set	Sechskantschraube			3		10	5		
74	5610868001					4			1		
75	5660139002	E Ring	E-Ring			1		10	1		
76	3700352002					1			1		
77	2850614001					1			30		
78	2246063005					1			1		
79	2246063006					1			1		
80	2244424003					1			1		
81	2246060002					1			1		
82	2246059003					1			1		
83	2246074002					2			1		
84	5690681001					2			1		
85	3680388001					1			10		



Product Description: Handle Assembly
Model Number: LMX5300SP
Service Item Number: 2850460003S01
Version: B
Issue Date: 2024/03/18

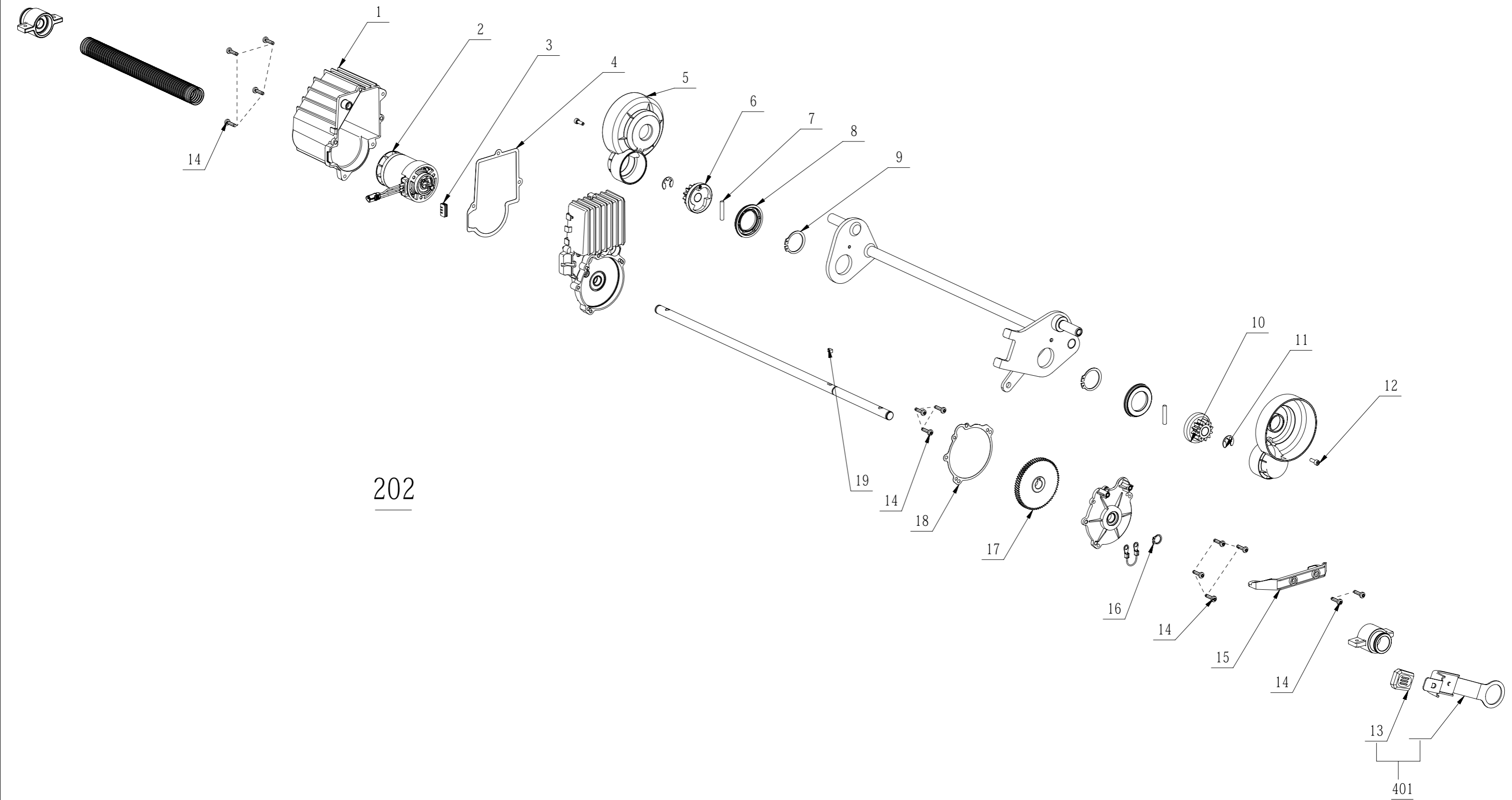
201



201	2850460003			1		30
201-1	3650338001			1		10
201-2	3134905001			1		10
201-3	5620011011			4		1
201-4	2851119001			1		20
201-5	2851124001			1		10
201-6	3650337001			1		20
201-7	2851120001			1		10
201-8	5650004008	Plain Washer		2	10	1
201-9	5620157006	Hexagon Socket Screw	Inbusschraube	2	10	1
201-10	3134904001			1		20
201-11	3709145001			1		30
201-12	2851121001			1		20
201-13	2850600001			1		10
201-14	2850599001			1		10
201-15	3900756001			1		10
201-16	3135278001			1		1
201-17	5640217003	Bolt and Washer Set	Sechskantschraube	4	10	1
201-18	3900755001			1		5
201-19	5620377003	Hexagon Socket Screw	Sechskantschraube	21	10	1
201-20	2850686001			1		20
201-21	5630571001			4		1
201-22	3709136001			4		1
201-23	3423564001			2		10
201-24	3680374001			1		1
201-25	5620642001			1		1
201-26	5611201001			4		1
201-27	3709460002			1		1
201-28	3660274001	Spring		1	10	1
201-29	3551668001			1		1
201-30	2831997001			1		10
201-31	2246061002			1		1
201-32	3709750001			1		30
201-33	3135909001			2		30
201-401	2850652004			1		20



Product Description: Self-Propelled Unit
Model Number: LMX5300SP
Service Item Number: 2850511001S02
Version: A
Issue Date: 2023/10/27



202

202	2850511001			1		50
202-1	3134878001			1		10
202-2	2730409001			1		30
202-3	3134884001			1		5
202-4	3709138001			1		10
202-5	3134877001			2		10
202-6	3570480001			1		10
202-7	5670186002			2		5
202-8	5690632001			2		5
202-9	5660152002	Cirdlips For Shaft	Sicherungsring	2	10	5
202-10	3570481001			1		20
202-11	5660246001			2		5
202-12	5620011011			2		1
202-13	3134856001			1		1
202-14	5610342001			13		1
202-15	3128943001	Support	Halter	1	1	30
202-16	5660013001			1		1
202-17	3570546001			1		20
202-18	3709137001			2		20
202-19	5680003001			1		10
202-401	2850096001			1		10
203	2850596002			1		20
204	2851352001			1		25
205	3134964004			1		10
206	3423516003			1		60