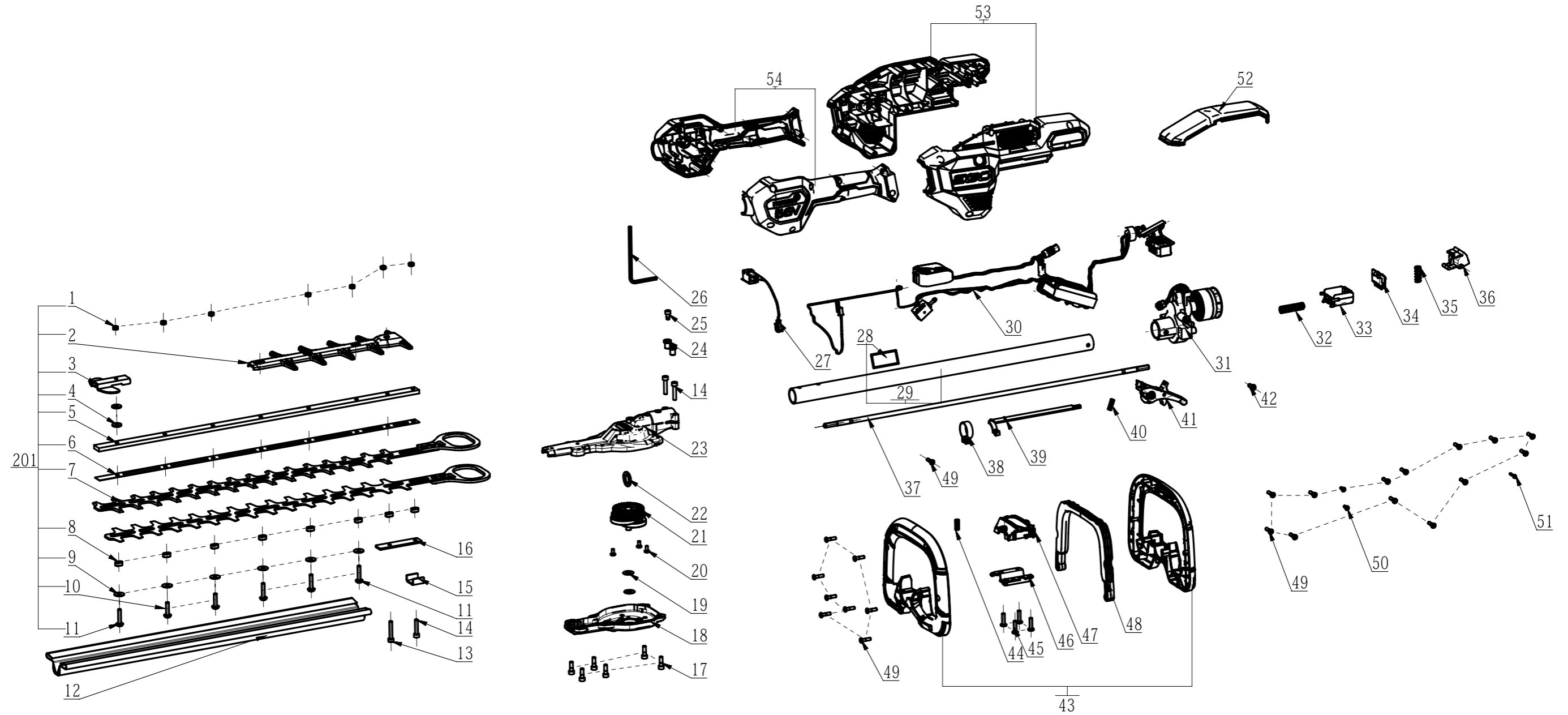




Product Description: Pole Hedge Trimmer
Model Number: HTX 5300-P
Service Item Number: F830037001S01
Version: B
Issue Date: 2023/11/07





BILL OF MATERIALS

HTX5300-P Hedge Trimmer

Index Nr.	Art. Nr.	Beschreibung EN	Beschreibung DE	Tls	Supersession	QTY in machine	Torque (Nm)	MPQ	Repair Time (min)
1	5630007010	Prevailing Torque Hexagon Nut				8			3
2	3403481001	Protective Teeth				1			3
3	3705992001	Tip Protector	Anschlagschutz			1		1	3
4	5650047001	Plain Washer				2			3
5	3709011001	Clamp Support				1			5
6	3709018001	Hold Down Strip				1			5
7	2829661001	Blade Set				2			5
8	3580331001	Bush				8		10	5
9	5650487001	Plain Washer	Scheibe			6		10	5
10	5620605001	Hexagon Socket Screw	Innensechskantschraube			2		10	5
11	5611133001	Hexagon Socket Button Head Screw				4			5
12	3134546001	Sheath				1			1
13	5620646002	Hexagon Socket Screw				1			5
14	5620216005	Hexagon Socket Screw	Inbusschraube			3		10	5
15	3709251001	Support Plate				1			2
16	3709014001	Support Plate				1			5
17	5620019005	Hexagon Socket Screw	Inbusschraube			6		10	5
18	2790795001	Lower Housing Assembly				1			3
19	5650569001	Plain Washer	Scheibe			2		10	3
20	5620156007	Hexagon Socket Screw	Inbusschraube			3		10	5
21	2850175001	Bevel Gear Assembly				1			5
22	5651100001	Plain Washer				1			2
23	2790815001	Gear Case Assembly				1			8
24	5620606001	Hexagon Socket Screw	Innensechskantschraube			2	5 Nm	10	1
25	5620213003	Hexagon Socket Screw	Inbusschraube			1		10	1
26	5680164001	Inner Hexagon Spanner	Inbusschlüssel			1		1	1
27	4870999001	Switch and Wire Assembly				1			8
28	2244506004	Nameplate				1			1
29	2850171003	Connecting Tube Assembly				1			5
30	2831659001	Electric Assembly				1			8
31	2790798001	Motor And Gear Case Assembly				1			3
32	3660818001	Compression Spring	Druckfeder			1		10	3
33	3131427001	Sliding Block	Sliding Block			1		1	3
34	3127497001	Power Pack Button	Akku-Entriegelungshebel			1		1	3
35	3660013003	Spring1	Feder			1		10	3
36	3127498001	Power Pack Button	Akku-Entriegelungshebel			1		1	3
37	3556025001	Drive Shaft				1			3
38	3705178001	Fixed Ring	Befestigungsring			1		10	5
39	3134551001	Wire Slot				1			8
40	3660088003	Knob-reset Spring	Rückstellfeder			1		10	3
41	2829162001	Trigger Assembly				1			3
42	5620050007	Screw	Schraube M5x12			1		10	3
43	3900704001	Front Handle Set				1			5
44	3660046001	Spring	Feder			1		10	5
45	5610291001	Tapping Screw				4			1
46	3709015001	Mounting Plate				1			5
47	3134545001	Clamping Block				1			5
48	3128269003	Switch Trigger				1			5
49	5620479001	Screw	Schraube			22		10	1
50	5610295001	Hexagon Socket Screw				2		1	1
51	5610241001	Screw				1			1
52	3133887001	Cover Plate				1			3
53	3900691004	L R Housing Set				1			3
54	3900651004	L R Handle Set				1			5
201	2850156001	Blade Set				1			5