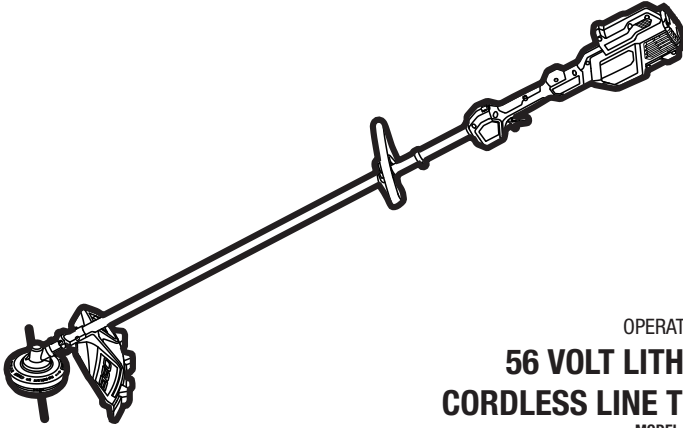


EGO™

POWER⁺ LINE TRIMMER

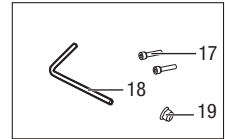
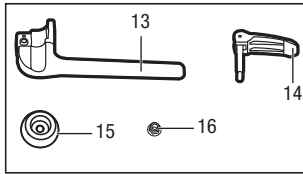
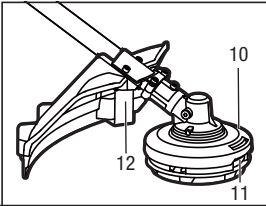
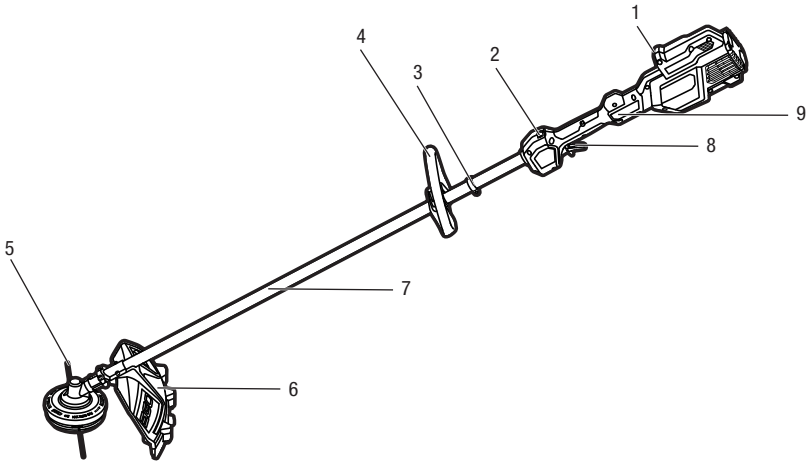


OPERATOR'S MANUAL

56 VOLT LITHIUM-ION CORDLESS LINE TRIMMER

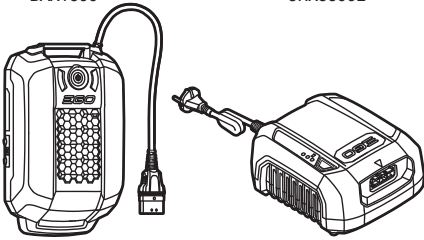
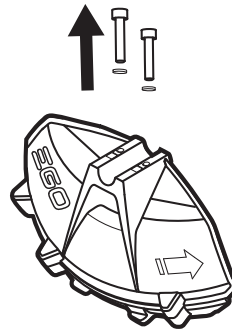
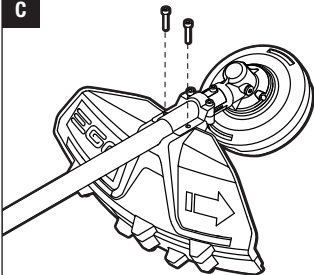
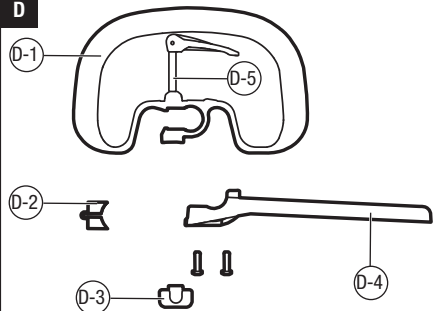
MODEL NUMBER STX3800

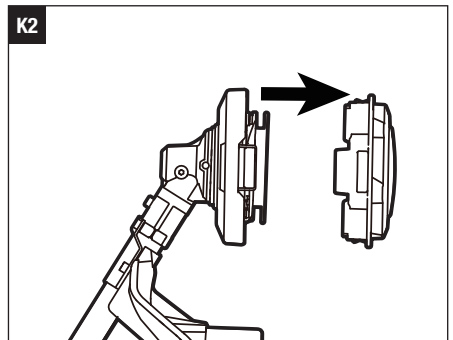
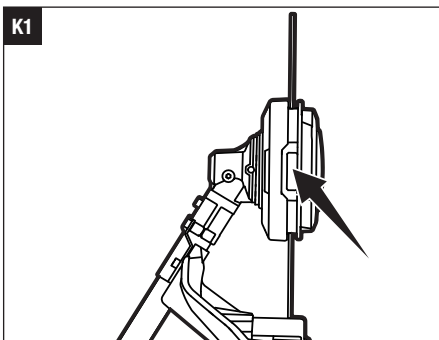
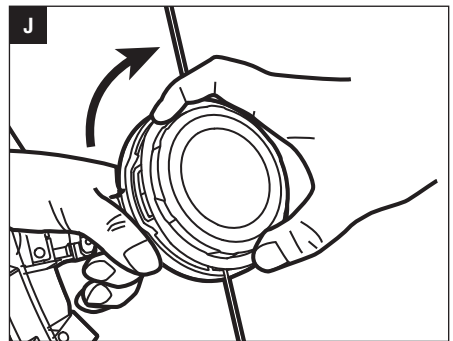
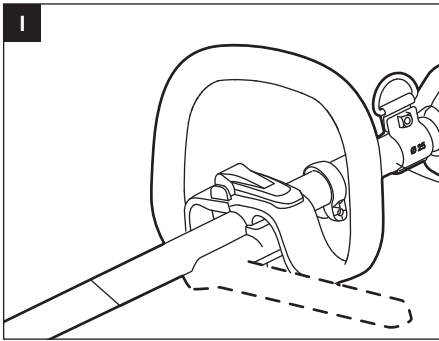
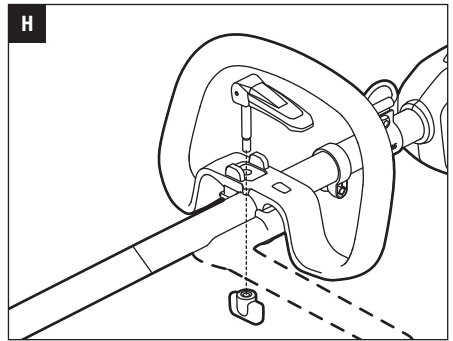
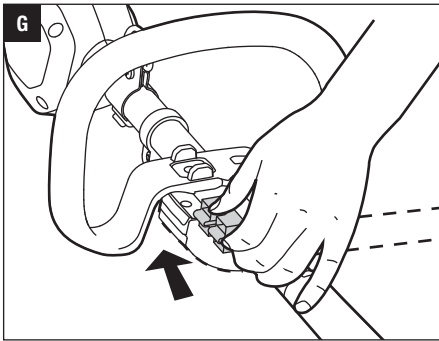
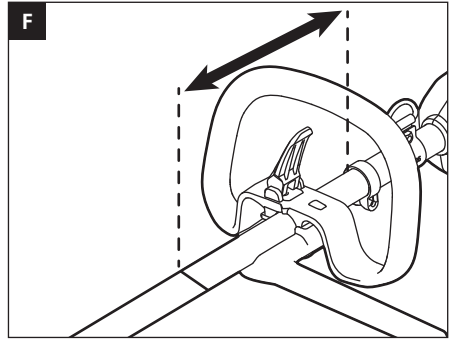
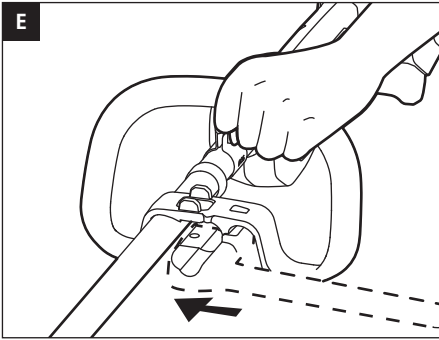
EN	56 Volt lithium-ion cordless line trimmer	6	RO	Cositoare cu fir și cu acumulator litiu-ion de 56 volți	132
DE	Kabelloser Rasentrimmer mit 56 Volt und Lithium-Ionen-Akku	13	SL	56-Voltna litij-ionska brezžična kosilnica z nitko	140
FR	Coupe-bordure sans fil lithium-ion 56 v	21	LT	Akumulatorinė žoliapjovė su 56 voltų ličio jonų akumulatoriumi	147
ES	Cortabordes inalámbrico con cabezal de hilo y acumulador de ion de litio de 56 voltios	29	LV	56 Voltu litija jonu akumulatora bezvadu auklas trimmeris	154
PT	Roçadora de fio sem fios de ião de lítio de 56 volts	37	GR	Ασπρματο χλοοκοπτικό με νήμα, ιοντών λιθίου 56 volt	162
IT	Decespugliatore cordless li-ion 56 volt	45	TR	56 Volt lityum-iyon kablosuz misinali çim biçme makinesi	170
NL	56 Volt lithium-ion accu grastrimmer	53	ET	56-Voldise liitiumioonakuga juhtmata jõhvtrimmer	177
DK	Ledningsfri græstrimmer med 56 volts lithium-ion-batteri	61	UK	Лісовий тример із живленням від 56-вольтового літій-іонного акумулятора	184
SE	56 Volts litiumjon sladdlös trädtrimmer	69	BG	56 волта литиево-йонен безкабелен кордов тример	192
FI	Akkukäyttöinen 56 voltin litium-ionsiim-aleikkuri	77	HR	Litij-ionski baterijski šišač od 56 volta s reznom niti	200
NO	56 Volts ledningsfri kantklipper	85	KA	56 ვოლტისანი ლითიუმ-იონის აკუმულატორისანი უსადენო ელექტრო სათიბი	207
RU	Беспроводной триммер с леской и литий-ионным аккумулятором 56 в	93	SR	Bežični trimer sa strunom i litijum-jonskom baterijom od 56 volti	217
PL	Podkaszarka bezprzewodowa z akumulatorem litowo-jonowym 56 voltów	101	BS	Akumulatorski trimer s reznom niti i litij-ionskom baterijom od 56 V	225
CZ	56 Voltová lithium-iontová akumulátorová strunová sekačka	109	HE	גוזם דשא אלחוטי ליתיום-יון 56 וולט	233
SK	56-Voltová lítiovo-iónová bezdrôtová strunová kosačka	116	AR	جهازة عاملة بالخيط لاسلكية بطارية ليثيوم-أيون 56 فولت	240
HU	56 Voltos lítium-ion vezeték nélküli fűkasza	124			

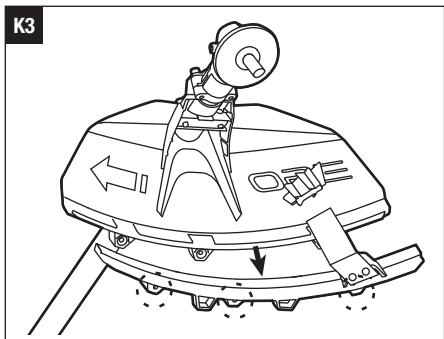
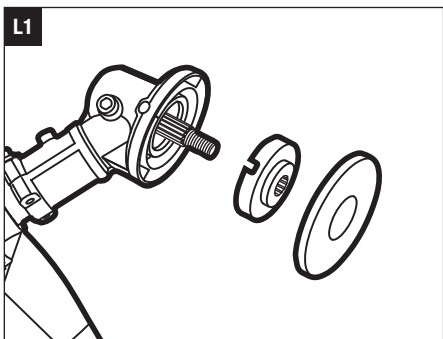
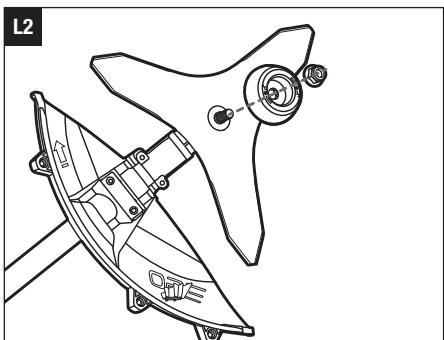
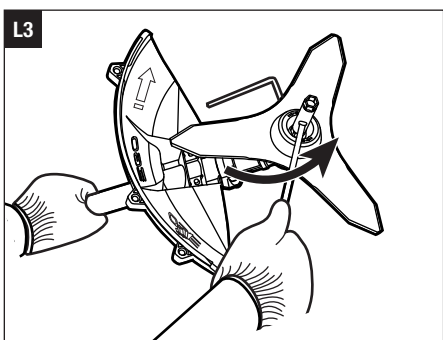
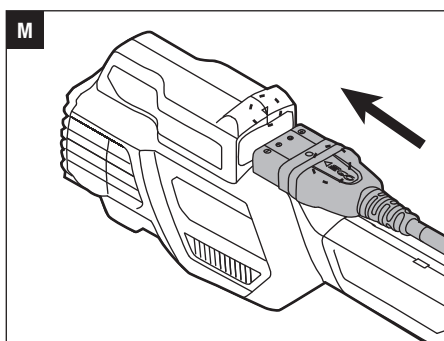
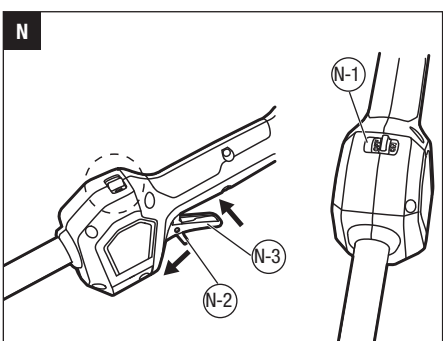
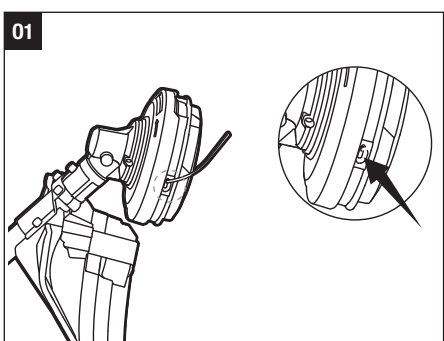
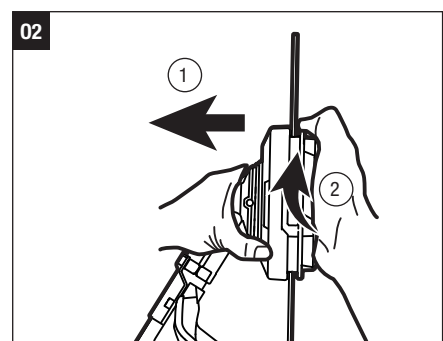
A1**A2**

BAX1500

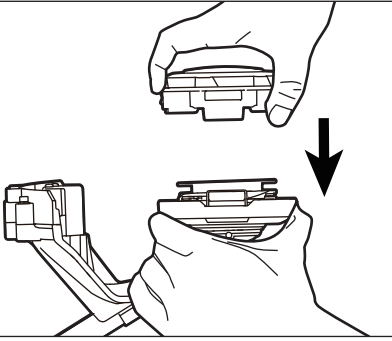
CHX5500E

**B****C****D**



K3**L1****L2****L3****M****N****01****02**

03



READ ALL INSTRUCTIONS!



READ OPERATOR'S MANUAL

⚠ WARNING: Residual risk! People with electronic devices, such as pacemakers, should consult their physician(s) before using this product. Operation of electrical equipment in close proximity to a heart pacemaker could cause interference or failure of the pacemaker.



Safety Alert



Wear Eye Protection-Always wear safety goggles or safety glasses with side shields and a full face shield when operating this product.



Wear Ear Protection-Always wear ear protection when operating this product.



Wear Head Protection-Wear an approved safety hard hat to protect your head.



Do not install round cutting blades.



Cutting width-The Max. cutting width of line trimmer



Ensure that other people and pets remain at least 15m away from the line trimmer when it is in use.



Guaranteed sound power level. Noise emission to the environment according to the European community's Directive.



Waste electrical products should not be disposed of with household waste. Take to an authorized recycler.

n_0

No Load Speed-Rotational speed, at no load



Direct Current

SAFETY SYMBOLS

⚠ WARNING: The operation of any power tools can result in foreign objects being thrown into your eyes, which can result in severe eye damage. Before beginning power tool operation, always wear safety goggles or safety glasses with side shields and a full face shield when needed. We recommend a Wide Vision Safety Mask for use over eyeglasses or standard safety glasses with side shields.



To reduce the risk of injury, user must read the operator's manual.



Wear Safety Footwear-Wear non-slip safety footwear when using this equipment.



Wear Protective Gloves-Protect your hands with gloves when handling blade or blade guard.



Beware of blade thrust-Warn the operator of the danger of blade thrust.



Line diameter-The Diameter of the nylon cutting line



Thrown objects can ricochet and result in personal injury or property damage. Ensure that other people and pets remain away from the brush cutter when it is in use.



Do not use in the rain or leave outdoors while it is raining.



This product is in accordance with applicable EC directives.

V Voltage

.../min Per Minute

kg Kilogram

SPECIFICATIONS

Voltage	56 V ---	
No-load Speed	Up to 5800 /min	
Cutting Mechanism	Bump Head	
Cutting Line Type	3.0mm nylon twist line	
Cutting Width	38 cm	
Recommended Operating Temperature	0°C-40°C	
Recommended Storage Temperature	-20°C-70°C	
Optimum Charging Temperature	5°C-40°C	
Weight (without battery pack)	5.8 kg	
Measured sound power level L_{WA}	94.2 dB(A) K=1.8 dB(A)	
Sound pressure level at operator's ear L_{PA}	74.15 dB(A) K=2.5 dB(A)	
Guaranteed sound power level L_{WA} (measured according to 2000/14/EC)	96 dB(A)	
Valuation of vibration a_{h1} :	Front-assist handle	3.2 m/s ² K=1.5 m/s ²
	Rear handle	2.3 m/s ² K=1.5 m/s ²

- The declared vibration total value has been measured in accordance with a standard test method and may be used for comparing one tool with another;
- The declared vibration total value may also be used in a preliminary assessment of exposure.

NOTICE: The vibration emission during actual use of the power tool can differ from the declared value in which the tool is used; In order to protect the operator, user should wear gloves and ear protectors in the actual conditions of use.

PACKING LIST (FIG.A1)

DESCRIPTION

KNOW YOUR LINE TRIMMER (Fig. A1)

1. Socket
2. Lock-off Lever
3. Threshold Ring
4. Loop handle
5. Trimmer Line
6. Guard Assembly
7. Shaft
8. Trigger
9. Rear handle
10. Trimmer Head(Bump head)
11. Release tab
12. Line-cutting blade
13. Safety barrier bar (For brush cutter head only)
14. Locking pole for safety barrier bar (For brush cutter head only)
15. Out flange (For brush cutter head only)
16. Nut (For brush cutter head only)
17. Screw
18. Allen key
- 19.Nut

ASSEMBLY

⚠ WARNING: If any parts are damaged or missing, do not operate this product until the parts are replaced. Use of this product with damaged or missing parts could result in serious personal injury.

⚠ WARNING: Do not attempt to modify this product or create accessories not recommended for use with this Line trimmer. Any such alteration or modification is misuse and could result in a hazardous condition leading to possible serious personal injury.

⚠ WARNING: To prevent accidental starting that could cause serious personal injury, always unplug the battery connector from the socket when assembling parts.

⚠ WARNING: When the tool is equipped with brush cutter head, the safety barrier bar should be mounted.

MOUNTING THE GUARD

⚠ WARNING: Always wear gloves when mounting or replacing the guard. Take care of the blade on the guard and protect your hand from cutting.

⚠ WARNING: Never operate the tool without the guard firmly in place. The guard must always be on the tool to protect the user! When the guard is fixed, never attempt to remove or adjust the guard, if a replacement is needed, it should be performed by a qualified service technician!

Loosen and remove the two screws from the guard (Fig. B), align the guard mounting holes with the assembly holes and then lock the guard onto the shaft base with the two screws, together with two spring washers (Fig. C).

⚠ WARNING: Make sure the guard is fixed according to Fig. B & C, any reverse fixing will cause great danger!

MOUNTING AND ADJUSTING THE LOOP HANDLE

1. Stop the motor and unplug the battery connector from the socket., if installed.
2. Loosen the wing nut to separate the adjustable loop handle (Fig. D).

NOTICE: Install the safety barrier bar assembly onto the loop handle with the two screws when the tool is equipped with brush cutter head.

Fig. D parts description see below:

D-1	Loop handle	D-4	Safety barrier bar (Only for brush cutter head)
D-2	Clamping block	D-5	Locking pole
D-3	Wing nut		

NOTICE: There are two kinds of locking pole, the shorter one is for trimmer head. The longer one is for brush cutter head. Be carefully to choose the correct locking pole when using the tool.

3. Push the loop handle onto the shaft at the front of threshold ring. Never place it between the threshold ring and rear handle area.(Fig. E).

NOTICE: Adjust the loop handle between the threshold ring and the warning label when the tool is equipped with brush cutter head (Fig. F).

4. Insert the clamping block into the handle slot (Fig. G).
5. Mount the locking pole, and pre-tighten them with the wing nut. Make sure that the loop handle is upwards and points toward the top of the rear handle (Fig. H).
6. Adjust the loop handle between the threshold ring and the label until find the comfortable position when using the trimmer. .
7. Lock the lever of the locking pole (Fig. I).

⚠ WARNING: Never operate the tool without the loop handle firmly in place.

⚠ WARNING: Only fix the loop handle between the threshold ring and the label.

REPLACE THE TRIMMER HEAD WITH THE 3-TEETH BLADE

1. Remove the power plug from the string trimmer.
2. Rotate the trimmer head to align the slot in the flange with the shaft-locking hole in the gear case and insert a stabilizer into the hole (Fig. J).
3. Rotate the trimmer head clockwise to remove it (Fig. J).
4. Remove the guard accessory by loosening the three screws with washer (Fig. K3).

NOTICE: To protect against injury, you have to wear gloves prior to any operation with the 3-teeth blade.

5. Mount the inner flange and flange cover into its place (Fig. L1).
6. Mount the blade onto the motor shaft, ensuring that the surface of the blade is flush with the surface of the inner flange bulge. Mount the outer flange and the nut (Fig. L2). Pre-tighten the nut in a COUNTERCLOCKWISE direction by hand.
7. Position the gear case against a solid surface for support. With one hand hold the brush cutter shaft and the other hand grasp the multi-function wrench to tighten the nut following the directional arrow icon marked on the outer flange (Fig. L3).

OPERATION

⚠ WARNING: Do not allow familiarity with this product to make you careless. Remember that a careless fraction of a second is sufficient to inflict serious injury.

⚠ WARNING: Always wear eye protection, along with hearing protection. Failure to do so could result in objects being thrown into your eyes and other possible serious injuries.

⚠ WARNING: Do not use any attachments or accessories not recommended by the manufacturer of this product. The use of attachments or accessories not recommended can result in serious personal injury.

⚠ WARNING: To prevent serious personal injury, unplug the battery connector from the socket before servicing, cleaning, changing attachments or removing material from the unit.

You may use this product for the purposes listed below:

Trimming: used for removing grass and weeds up against walls, fences, trees and borders.

Cutting: used for cutting the grass that is difficult to reach using a normal mower.

NOTICE: The tool is to be used only for its prescribed purpose. Any other use, for example hedge trimming, is deemed to be a case of misuse.

ATTACHING/DETACHING THE BATTERY CABLE

Use only with EGO's battery packs and chargers listed in Fig.A2

Fully charge before first use.

To Install Battery cable (Fig.M)

Align ▲ of plug with ▲ of line trimmer. Insert the plug into the machine until the green seal completely disappeared into the socket.

To Remove

Release the battery cord from the mounting groove and pull out the plug from the line trimmer.

STARTING/STOPPING THE LINE TRIMMER (Fig. N)

To Start

Push the lock-off Lever to position "ON", push the locking tongue forward then depress the switch trigger. The trigger is stepless speed adjusting. The more you pull up the trigger, the higher speed it is.

N-1	Lock-off Lever	N-3	Switch Trigger
N-2	Locking tongue		

To Stop

Release the switch trigger and push the lock-off button back to position "OFF".

WARNING: Always unplug the battery connector from the socket during work breaks and after finishing work.

USING THE LINE TRIMMER

WARNING: To avoid serious personal injury, wear goggles or safety glasses at all times when operating this unit. Wear a face mask or dust mask in dusty locations.

Clear the area to be cut before each use. Remove all objects, such as rocks, broken glass, nails, wire, or line, that can be thrown or become entangled in the cutting attachment. Clear the area of children, bystanders, and pets. At a minimum, keep all children, bystanders and pets at least 15m away; there still may be risk to bystanders from thrown objects. Bystanders should be

encouraged to wear eye protection. If you are approached, stop the motor and cutting attachment immediately.

Before each use, check for damage/worn parts

Check the bump head, guard and loop handle and replace the parts that are cracked, warped, bent, or damaged in any way.

The line-cutting blade on the edge of the guard can dull over time. It is recommended that you periodically sharpen it with a file or replace it with a new blade.

After each use, clean the trimmer.

CAUTION: Obstructions in the vents will prevent the air from flowing into the motor housing and result in overheating or damaged of the motor.

- Use only mild soap and a damp cloth to clean the tool. Never let any liquid get inside the tool; never immerse any part of the tool into a liquid.
- Keep air vents in the motor housing from debris at all times.

WARNING: Never use water for cleaning your trimmer. Avoid using solvents when cleaning plastic parts. Most plastics are susceptible to damage from various types of commercial solvents. Use clean cloths to remove dirt, dust, oil, grease, etc.

ADJUSTING CUTTING LINE LENGTH

The trimmer head allows the operator to release more cutting line without stopping the motor. As line becomes frayed or worn, additional line can be released by lightly tapping the bump knob on the ground while operating the trimmer.

NOTICE: Line release will become more difficult if the cutting line becomes too short.

WARNING: Do not remove or alter the line-cutting blade assembly. Excessive line length will cause the motor to overheat and may result in serious personal injury.

Line replacement

NOTICE: Always use the recommended nylon cutting line with a diameter that does not exceed 3.0 mm. Using line other than that specified may cause the line trimmer to overheat or become damaged.

WARNING: Never use metal-reinforced line, wire, or rope, etc. These can break off and become dangerous projectiles.

1. Remove the power plug from the string trimmer.
2. Remove the remaining cutting line, if necessary.

3. Cut 8m long cutting line, Insert the line into the mounting hole inside the eyelet (Fig. O1). Push and pull the line from the other side until equal amounts of line appear on both sides of the spool.
4. Press, while rotating the lower cover assembly in the arrow direction, to wind the line onto the spool until approximately 14cm of line is showing on each side (Fig. O2).
5. Push the lower cover assembly down while pulling on the lines to manually advance the line and to check for proper assembly of the trimmer head.

When the cutting line breaks from the line outlet or the cutting line is not released when the trimmer head is tapped, follow the steps below:

1. Press the release tabs on the upper cover and remove the lower cover assembly by pulling it straight out (Fig. K1 & K2).
2. Remove the cutting line from the spool .
3. With one hand holding the lower cover assembly, use the other hand to grasp the lower cover assembly and align the tabs on the upper cover with the holes in the lower cover assembly (Fig. O3); Use your palm to press the lower cover assembly until the tabs lock with the upper cover.
4. Follow the instructions in "LINE REPLACEMENT" to reload the cutting line.

MAINTENANCE

⚠ WARNING: When servicing, use only identical replacement parts. Inspect and maintain the machine regularly. To ensure safety and reliability, all repairs should be performed by a qualified service technician.

⚠ WARNING: Battery tools do not have to be plugged into an electrical outlet; therefore, they are always in operating condition. To prevent serious personal injury, take extra precautions and care when performing maintenance, service or for changing the cutting attachment or other attachments.

⚠ WARNING: To prevent serious personal injury, unplug the battery connector from the socket before servicing, cleaning, changing add-on attachments or removing material from the unit.

LUBRICATE THE GEAR CASE

For best operation and longer lifetime, lubricate the gear case with a special grease (4-5g each time) after every 50 hours operation.

The special grease should meet the following requirements.

1. Belong to DIN51818: NLGI-1 cone penetration degree.
2. Ester base grease.
3. Excellent low-temperature startup, EP, mechanical shearing, abrasion resistance and oxidative stability properties.
4. Operation temperature must contain -40~180°C. Remove the battery plug and the sealing screw. Lubricating the gear case through the oil-hole.

⚠ WARNING: Do not lubricate while the brush cutter is still connected with battery or running.

CLEANING THE UNIT

- Clean the unit using a damp cloth with a mild detergent.
- Do not use any strong detergents on the plastic housing or the handle. They can be damaged by certain aromatic oils, such as pine and lemon, and by solvents such as kerosene. Moisture can also cause a shock hazard. Wipe off any moisture with a soft dry cloth.

STORING THE UNIT

- Unplug the battery connector from the socket from the line trimmer when it is not in use.
- Clean the tool thoroughly before storing it.
- Store the unit in a dry, well-ventilated area, locked-up or up high, out of the reach of children. Do not store the unit on or adjacent to fertilizers, petrol, or other chemicals.
- Use of a transport cover for metal blades during transport and storage.

Protecting the environment



Do not dispose of electrical equipment, used battery and charger into household waste! Take this product to an authorized recycler and make it available for eparate collection. Electric tools must be returned to an environmentally compatible recycling facility.

TROUBLESHOOTING

PROBLEM	CAUSE	SOLUTION
Fail to start	<ul style="list-style-type: none"> ■ The battery pack is not attached to the line trimmer. 	<ul style="list-style-type: none"> ■ Attach the battery pack to the line trimmer.
	<ul style="list-style-type: none"> ■ No electrical contact between the trimmer and battery. 	<ul style="list-style-type: none"> ■ Re insert the battery pack with the specified charger.
	<ul style="list-style-type: none"> ■ The battery pack is depleted. 	<ul style="list-style-type: none"> ■ Charge the battery pack.
Stop working	<ul style="list-style-type: none"> ■ The guard is not mounted on the trimmer, resulting in an overly long cutting line and motor overload. 	<ul style="list-style-type: none"> ■ Unplug the battery connector from the socket and mount the guard on the trimmer.
	<ul style="list-style-type: none"> ■ Heavy cutting line is used. 	<ul style="list-style-type: none"> ■ Use recommended nylon cutting line with diameter no greater than 3.0mm.
	<ul style="list-style-type: none"> ■ The motor shaft or trimmer head is wound with grass. 	<ul style="list-style-type: none"> ■ Stop the trimmer, remove the battery, and remove the grass from the shaft and trimmer head.
	<ul style="list-style-type: none"> ■ The motor is overloaded. 	<ul style="list-style-type: none"> ■ The machine will recover when the load is removed. For continuous working, reduce the load of the machine.
	<ul style="list-style-type: none"> ■ The battery pack or line trimmer is too hot. 	<ul style="list-style-type: none"> ■ Allow the battery pack or trimmer to cool until the temperature drops below 67°C.
	<ul style="list-style-type: none"> ■ The connector of battery pack is disconnected from the tool. 	<ul style="list-style-type: none"> ■ Re-plug in the connector again.
	<ul style="list-style-type: none"> ■ The battery pack is depleted. 	<ul style="list-style-type: none"> ■ Charge the battery pack.
The cutting line can't be released.	<ul style="list-style-type: none"> ■ The motor shaft or trimmer head is wound with grass. 	<ul style="list-style-type: none"> ■ Stop the trimmer, remove the battery and remove the grass from the motor shaft and trimmer head.
	<ul style="list-style-type: none"> ■ There is not enough line in the trimmer head. 	<ul style="list-style-type: none"> ■ Remove the battery and replace the cutting line; follow the section "LINE REPLACEMENT" in this manual.
	<ul style="list-style-type: none"> ■ The trimmer head is dirty. 	<ul style="list-style-type: none"> ■ Remove the battery and clean the lower cover assembly, spool and upper cover.
	<ul style="list-style-type: none"> ■ Line is tangled in the trimmer head 	<ul style="list-style-type: none"> ■ Remove the battery, remove the line from the spool and rewind; follow the section "LINE REPLACEMENT" in this manual.
	<ul style="list-style-type: none"> ■ The line is too short. 	<ul style="list-style-type: none"> ■ Remove the battery and pull the lines while alternately pressing down on and releasing the trimmer head.
Grass wraps around trimmer head and motor housing	<ul style="list-style-type: none"> ■ Cutting tall grass at ground level. 	<ul style="list-style-type: none"> ■ Cut out the weeds into several sections from top to ground level.



EN

WARRANTY

EGO WARRANTY POLICY

Please visit the website egopowerplus.com for full terms and conditions of the EGO Warranty policy.

LESEN SIE ALLE ANWEISUNGEN!



LESEN SIE DIE BETRIEBSANLEITUNG

⚠️ WARNUNG: Restrisiko! Menschen mit elektronischen Geräten, wie z.B. Herzschrittmachern, sollten ihren Arzt konsultieren, bevor sie dieses Gerät verwenden. Die Bedienung von Elektrogeräten in unmittelbarer Nähe zu Herzschrittmachern kann zu Interferenzen und Störungen des Schrittmachers führen.



Sicherheitswarnung



Augenschutz tragen - Tragen Sie immer eine Schutzbrille, möglichst mit Seitenschutz, und einen Vollgesichtsschutz, wenn Sie mit diesem Gerät arbeiten.



Tragen Sie einen Gehörschutz - Tragen Sie beim Einsatz des Geräts immer einen Gehörschutz.



Kopfschutz tragen - Tragen Sie einen geprüften Helm, um Ihren Kopf zu schützen.



Keine runden Messer montieren.



Breite - Die max. Schnittbreite des Rasentrimmers



Bei Einsatz des Rasentrimmers müssen andere Personen und Haustiere einen Abstand von mindestens 15 m vom Rasentrimmer einhalten.



Garantierter Schalleistungspegel. Geräuschemission an die Umgebung gemäß Richtlinie der Europäischen Gemeinschaft.



Elektrische Altgeräte dürfen nicht im Hausmüll entsorgt werden. Bringen Sie das Gerät zu einem Wertstoffhof.

n_0

Leerlaufdrehzahl-Drehzahl im Leerlauf



Gleichstrom

WARNSYMBOLLE

⚠️ WARNUNG: Beim Betrieb von Elektrowerkzeugen besteht die Gefahr, dass Fremdkörper in Ihre Augen geschleudert werden und Sie dadurch schwerwiegende Augenschäden davontragen. Tragen Sie immer eine Schutzbrille, wenn möglich mit Seitenschutz, oder, falls nötig, einen vollen Gesichtsschutz, bevor Sie Arbeiten mit dem Elektrowerkzeug verrichten. Wir empfehlen Ihnen, einen Gesichtsschutz über Ihrer eigenen Brille oder eine herkömmliche Schutzbrille mit Seitenschutz zu tragen.



Um das Verletzungsrisiko zu verringern, muss der Benutzer die Bedienungsanleitung lesen.



Schutzschuhe tragen - Tragen Sie beim Gebrauch dieses Gerätes rutschfeste Sicherheitsschuhe.



Schutzhandschuhe tragen - Schützen Sie Ihre Hände beim Umgang mit dem Messer oder dem Schneidschutz, indem Sie Handschuhe anziehen.



Vorsicht Rückschlaggefahr - Warnen Sie den Benutzer vor den Gefahren eines Rückschlags durch das Messer.



Durchmesser - Der Durchmesser des Nylonfadens



Herumgeschleuderte Objekte können abprallen und Verletzungen oder Sachschäden verursachen. Stellen Sie bei Betrieb sicher, dass andere Personen und Haustiere sich von dem Gestrüppschneider fernhalten.



Nicht im Regen verwenden oder bei Regen im Freien liegen lassen.



Dieses Produkt erfüllt die einschlägigen EG-Richtlinien.

V Spannung

.../min pro Minute

kg Kilogramm

TECHNISCHE DATEN

DE

Spannung	56 V $\overline{\text{---}}$	
Leerlaufdrehzahl	Bis 5800 /min	
Schneidmechanismus	Fadenkopf	
Trennfaden	3,0mm Nylon- Trimmerschnur	
Schnittbreite	38 cm	
Empfohlene Betriebstemperatur	0°C-40°C	
Empfohlene Lagertemperatur	-20°C-70°C	
Optimale Ladetemperatur	5°C-40°C	
Gewicht (ohne Akku)	5,8 kg	
Gemessener Schalleistungspegel L_{WA}	94,2 dB(A) K=1,8 dB(A)	
Schalldruckpegel am Ohr des Bedieners L_{PA}	74,15 dB(A) K=2,5 dB(A)	
Garantierter Schalleistungspegel L_{WA} (nach 2000/14/EG gemessen)	96 dB(A)	
Vibrationswert a_{hv}	Vorderer Haltegriff	3,2 m/s ² K=1,5 m/s ²
	Hinterer Griff	2,3 m/s ² K=1,5 m/s ²

- Der angegebene Schwingungs-Gesamtwert wurde in Übereinstimmung mit einer Standard-Testmethode gemessen und kann verwendet werden, um Werkzeuge miteinander zu vergleichen.
- Der angegebene Schwingungs-Gesamtwert kann auch als einleitende Feststellung der Belastung verwendet werden.

HINWEIS: Die beim Einsatz des Elektrowerkzeugs entstehenden Istvibrationen können von dem angegebenen Wert abweichen. Zum Schutz des Benutzers sollten Handschuhe und ein Gehörschutz während des Geräteinsatzes getragen werden.

PACKLISTE (Abb. A1)

BESCHREIBUNG

AUFBAU (Abb. A1)

- Buchse
- Verriegelungshebel

- Anschlagring
- Bügelgriff
- Mähfaden
- Schutzverkleidung
- Schaft
- Auslöser
- Hinterer Griff
- Mähkopf
- Freigabelasche
- Fadenabschneider
- Schneidschutz (nur für Freischneideaufsatz)
- Verriegelungsstift für Schneidschutz (nur für Freischneideaufsatz)
- Äußerer Flansch (nur für Freischneideaufsatz)
- Mutter (nur für Freischneideaufsatz)
- Schraube
- Innensechskantschlüssel

MONTAGE

⚠️ WARNUNG: Wenn Teile beschädigt sind oder fehlen, darf das Gerät erst in Betrieb genommen werden, wenn alle Teile wieder montiert sind. Die Verwendung des Geräts mit beschädigten oder fehlenden Teilen kann zu schweren Verletzungen führen.

⚠️ WARNUNG: Versuchen Sie nicht, dieses Produkt zu verändern oder Zubehörteile zu verwenden, die für den Einsatz des Rasentrimmers nicht empfohlen werden. Jegliche Änderung oder falsche Anwendung dieses Geräts gilt als Zweckentfremdung und kann sehr riskant sein und zu möglichen schweren Körperverletzungen führen.

⚠️ WARNUNG: Um einen unbeabsichtigten Geräteanlauf zu verhindern, muss der Akkustecker immer zuerst aus dem Anschluss gezogen werden.

⚠️ WARNUNG: Wenn das Gerät mit einem Freischneideaufsatz ausgestattet ist, muss auch der Schneidschutz montiert werden.

MONTIEREN DER SCHUTZABDECKUNG

⚠️ WARNUNG: Tragen Sie beim Anbringen oder Auswechseln der Schutzverkleidung immer Handschuhe.. Achten Sie auf das Messer am Mähschutz und passen Sie auf, dass Sie sich nicht schneiden.

⚠️ WARNUNG: Setzen Sie das Werkzeug nur in Betrieb, wenn der Mähschutz fest angebracht ist. Der Mähschutz muss zum dauerhaften Schutz des Benutzers immer am Werkzeug befestigt sein! Wenn der Mähschutz montiert ist, darf er weder entfernt noch justiert werden. Falls dieser ersetzt werden muss, wenden Sie sich an eine qualifizierte Werkstatt!

Lösen Sie die beiden Schrauben an der Schutzabdeckung (Abb. B) und lassen Sie die Befestigungslöcher des Mähschutzes mit den Halterungsöffnungen fluchten. Schrauben Sie den Mähschutz anschließend mit den beiden Schrauben und zwei Federscheiben am Schaftende an (Abb. C).

⚠️ WARNUNG: Vergewissern Sie sich, dass die Schutzabdeckung gemäß Abb. B und C befestigt ist. Eine falsche Montage ist sehr gefährlich!

MONTIEREN UND EINSTELLEN DES BÜGELGRIFFS

1. Stellen Sie den Motor ab und ziehen Sie den Akkustecker aus dem Anschluss (sofern montiert)
2. Lockern Sie die Flügelmutter, um den verstellbaren Bügelgriff zu trennen (Abb. D).

HINWEIS: Bringen Sie den Schneidschutz mit zwei Schrauben am Bügelgriff an, wenn der Freischneidaufsatz montiert ist.

Teilebezeichnung der Abb. D:

D-1	Bügelgriff	D-4	Schneidschutz (nur für Freischneidaufsatz)
D-2	Klemmvorrichtung	D-5	Verriegelungsstift
D-3	Flügelmutter		

HINWEIS: Es gibt zwei Verriegelungsstift-Ausführungen. Die kürzere ist für den Trimmerkopf. Die längere ist für den Freischneidaufsatz. Achten Sie beim Gebrauch des Geräts auf den richtigen Verriegelungsstift.

3. Schieben Sie den Bügelgriff auf die Welle bis vor den Anschlagring auf. Bringen Sie ihn nie zwischen dem Anschlagring und dem hinteren Griffbereich an. (Abb. E).

HINWEIS: Stellen Sie den Bügelgriff zwischen dem Anschlagring und dem Warnaufkleber ein, wenn das Werkzeug mit einem Freischneidaufsatz ausgerüstet ist (Abb. F).

4. Setzen Sie das Klemmstück in die Aufnahme am Griff ein (Abb. G).

5. Stecken Sie den Arretierungsstift ein und spannen Sie ihn mit der Flügelmutter vor. Vergewissern Sie sich, dass der Bügelgriff nach oben und zur Oberseite des hinteren Griffs zeigt (Abb. H).
6. Stellen Sie den Bügelgriff zwischen dem Anschlagring und dem Aufkleber auf die für Sie bequemste Arbeitsposition beim Rasentrimmen ein. .
7. Schließen Sie den Hebel des Verriegelungsstiftes (Abb. I).

⚠️ WARNUNG: Verwenden Sie das Werkzeug nur mit fest montiertem vorderem Bügelgriff.

⚠️ WARNUNG: Befestigen Sie den Bügelgriff nur im Bereich zwischen Anschlagring und dem Aufkleber.

AUSWECHSELN DES MÄHKOPFS DURCH DAS DICKICHTMESSER

1. Ziehen Sie den Netzstecker vom Fadentrimmer ab.
2. Drehen Sie den Mähkopf, bis die Aussparung im Flansch mit der Bohrung an der Schaft-Einrastöffnung des Getriebegehäuses fluchtet. Führen Sie einen Feststeller in die Bohrung ein (Abb. J).
3. Drehen Sie den Mähkopf im Uhrzeigersinn, um ihn abzubauen (Abb. J).
4. Lösen Sie die drei Schrauben und U-Scheiben (Ab. K3), um die Schutzverkleidung zu entfernen.

HINWEIS: Zur Vermeidung von Verletzungen sollten Sie vor jedem Umgang mit dem Dickichtmesser Schutzhandschuhe anziehen.

5. Montieren Sie den Innenflansch und die Flanschabdeckung (Abb. L1).
6. Montieren Sie das Messer an der Antriebswelle und stellen Sie dabei sicher, dass die Oberfläche des Messers mit der Oberfläche der Ausbuchtung des Innenflansches bündig ist. Montieren Sie das Außenflansch und die Mutter (Abb. L2). Ziehen Sie die Mutter GEGEN DEN UHRZEIGSINN handfest an.
7. Stützen Sie das Getriebegehäuse an einer festen Fläche ab. Halten Sie mit einer Hand den Schaft des Freischneiders und mit der anderen Hand den Multifunktionsschlüssel fest, um die Mutter in die Richtung festzuziehen, die vom Pfeil am Außenflansch angedeutet wird (Abb. L3).

BEDIENUNG

DE

⚠️ WARNUNG: Werden Sie nicht leichtsinnig, nur weil Sie mit dem Produkt vertraut sind. Denken Sie daran, dass ein kurzer Moment der Unachtsamkeit genügt, um ernsthafte Verletzungen zu verursachen.

⚠️ WARNUNG: Tragen Sie immer einen Augenschutz und einen Gehörschutz. Andernfalls besteht die Gefahr, dass Gegenstände in Ihre Augen geschleudert oder andere schwere Verletzungen hervorgerufen werden.

⚠️ WARNUNG: Verwenden Sie keine Aufsätze oder Zubehörteile, die nicht vom Hersteller dieses Produkts empfohlen worden sind. Die Verwendung von anderen bzw. nicht empfohlenen Aufsätzen oder Zubehörteilen kann zu schweren Verletzungen führen.

⚠️ WARNUNG: Um schwere persönliche Verletzungen zu verhindern, trennen Sie den Akkustecker vom Anschluss vor jeder Wartung, Reinigung oder vor einem Wechsel von Anbauten bzw. vor dem Entfernen von Schnittgut am Gerät.

Sie können dieses Produkt für die unten aufgeführten Zwecke einsetzen:

Rasentrimmen: Entfernen von Gras und Unkraut an Wänden, Zäunen, Bäumen und Rändern.

Schneiden: Zum Schneiden von Gras, das mit einem normalen Mäher schwer zugänglich ist.

HINWEIS: Das Werkzeug darf nur für den dafür vorgesehenen Zweck eingesetzt werden. Jede andere Verwendung, zum Beispiel zum Heckenschneiden, gilt als Zweckentfremdung.

ANBRINGEN/ABNEHMEN DES AKKUKABELS

Laden Sie den Akku vor dem ersten Gebrauch voll auf.

Nur mit akkus und ladegeräten verwenden, die in abb. A2 aufgeführt sind.

So schließen Sie das Akkukabel an (Abb. M)

Lassen Sie das Zeichen ▲ am Stecker mit dem Symbol ▲ am Rasentrimmer fluchten. Stecken Sie den Stecker in das Gerät, bis die grüne Dichtung vollständig im Anschluss verschwunden ist.

Entfernen

Lösen Sie das Akkukabel aus der Befestigungsnut und ziehen Sie den Stecker aus dem Rasentrimmer.

START/STOPP DES RASENTRIMMERS (Abb. N)

Starten

Stellen Sie den Verriegelungshebel auf "ON", schieben Sie die Schließzunge nach vorn und drücken Sie den Einschalter. Am Einschalter kann die Mähgeschwindigkeit stufenlos verstellt werden. Je mehr der Schalter gezogen wird, desto schneller dreht sich der Motor.

N-1	Verriegelungshebel	N-3	Schalterabzug
N-2	Schließzunge		

Stoppen

Lassen Sie den Auslöser los und drücken Sie den Entriegelungsschalter zurück in die Position „OFF“.

⚠️ WARNUNG: Bei Arbeitspausen und nach Abschluss der Arbeit immer den Akkustecker aus dem Anschluss ziehen.

VERWENDUNG DES RASENTRIMMERS

⚠️ WARNUNG: Tragen Sie zum Schutz vor schweren Verletzungen beim Arbeiten mit diesem Gerät immer eine Schutzbrille. Tragen Sie eine Gesichts- oder Staubschutzmaske in staubigen Bereichen.

Räumen Sie den Arbeitsbereich vor jedem Einsatz auf. Entfernen Sie alle Objekte, wie z.B. Steine, zerbrochenes Glas, Nägel, Drähte oder Fäden, die aus dem Gerät herausgeschleudert werden oder sich in der Schneidvorrichtung verfangen könnten. Halten Sie den Bereich von Kindern, Passanten und Haustieren frei. Halten Sie einen Mindestabstand von 15 m zu Kindern, Passanten und Haustieren ein; auch dann besteht Gefahr durch umhergeschleuderte Gegenstände. Passanten sollten gebeten werden, Schutzbrillen aufzusetzen. Wenn jemand auf Sie zukommt, stellen Sie den Motor und das Schneidwerkzeug sofort ab.

Prüfen Sie vor jedem Gebrauch auf Schäden/abgenutzte Teile

Prüfen Sie den Fadenkopf, den Mäherschutz und den Bügelgriff und ersetzen Sie gerissene, verzogene, verbogene oder anders beschädigte Teile.

Das Fadenmesser am Mäherschutzrand wird im Laufe der Zeit stumpf. Es sollte daher regelmäßig mit einer Feile nachgeschliffen oder durch ein neues Messer ersetzt werden.

Reinigen Sie den Rasentrimmer nach jedem Gebrauch.

⚠️ VORSICHT: Verstopfte Lüftungsschlitze verhindern, dass die Luft in das Motorgehäuse strömen kann. Das führt zu einer Überhitzung oder zu Motorschäden.

- Verwenden Sie nur milde Seife und ein feuchtes Tuch zum Reinigen des Werkzeugs. Keine Flüssigkeit im Werkzeug lassen. Das Werkzeug darf auf keinen Fall in Flüssigkeit getaucht werden.
- Halten Sie die Lüftungsschlitze im Motorgehäuse immer frei von Ablagerungen.

⚠️ WARNUNG: Verwenden Sie niemals Wasser zum Reinigen des Trimmers. Verwenden Sie keine Lösungsmittel zum Reinigen von Kunststoffteilen. Die verschiedenen handelsüblichen Lösungsmittel greifen die Kunststoffflächen an. Verwenden Sie zum Entfernen von Schmutz, Staub, Öl, Fett usw. saubere Lappen.

EINSTELLEN DER FADENLÄNGE

Der Mähkopf ermöglicht dem Benutzer, den Mähfaden zu verlängern, ohne den Motor anzuhalten. Wenn der Faden ausfranst oder abgenutzt ist, können Sie durch Tippen des Klopfers auf den Boden weiteren Faden nachführen (Abb. V).

HINWEIS: Das Verlängern des Fadens wird umso schwerer, je kürzer der Faden wird.

⚠️ WARNUNG: Der Fadenmesser-Mechanismus darf nicht verändert oder beseitigt werden. Zu viel Fadenlänge führt zu einer Überhitzung des Motors und kann schwere Verletzungen nach sich ziehen.

Auswechseln des Fadens

HINWEIS: Verwenden Sie stets die empfohlenen Nylonfäden mit maximal 3,0 mm Durchmesser. Durch andere Fadendurchmesser kann der Rasentrimmer überhitzen oder beschädigt werden.

⚠️ WARNUNG: Verwenden Sie niemals mit Metall verstärkten Faden, Draht, Seil usw. Diese können abbrechen und zu gefährlichen Geschossen werden.

1. Ziehen Sie den Netzstecker vom Rasentrimmer ab.
2. Entfernen Sie ggf. die Mähfadenreste.
3. Schneiden sie 8 m mähfaden ab. Führen sie den faden durch die öffnung in der öse hindurch (abb. 01). Schieben sie den faden durch und ziehen sie ihn auf der anderen seite heraus, bis die fäden auf beiden seiten der spule gleich lang sind.
4. Drücken Sie die untere Abdeckung an und drehen Sie sie dabei in Pfeilrichtung, um den Faden soweit auf die Spule aufzuwickeln, bis auf beiden Seiten etwa 14 cm Faden überstehen (Abb. 02).
5. Schieben Sie die untere Abdeckung nach unten und ziehen Sie dabei an den Fäden, um sie von Hand vorzuziehen und die richtige Montage des Mähkopfs zu kontrollieren.

Gehen sie wie folgt vor, wenn der mähfaden vom fadenauslass abreißt oder wenn der mähfaden beim klopfen des mähkopfs nicht freigegeben wird:

1. Drücken Sie die Entriegelungen an der oberen Abdeckung und ziehen Sie die untere Abdeckung geradlinig nach unten ab (Abb. K1 & K2).
2. Entfernen Sie den Mähfaden aus der Spule.
3. Halten Sie die untere Abdeckung mit einer Hand fest und schieben Sie die Rastnasen der oberen Abdeckung in die gegenüber liegenden Aufnahmen der unteren Abdeckung (Abb. 03). Schieben Sie die beiden Abdeckungsteile nun mit etwas Druck auf den Handflächen ineinander, bis die Teile einrasten.
4. Folgen Sie den Anweisungen im Abschnitt „AUSWECHSELN DES FADENS“, um den Mähfaden einzusetzen.

WARTUNG

⚠️ WARNUNG: Verwenden Sie für die Wartung nur identische Ersatzteile. Prüfen und warten Sie das Gerät regelmäßig. Um die Sicherheit und Zuverlässigkeit zu gewährleisten, sollten alle Reparaturen nur von qualifizierten Servicetechnikern durchgeführt werden.

⚠️ WARNUNG: Akkubetriebene Werkzeuge müssen nicht an eine Steckdose angeschlossen werden; sie sind daher immer einsatzbereit. Um schwere Verletzungen zu vermeiden, seien Sie beim Warten, Reparieren oder Auswechseln des Schneidaufsatzes oder anderer Aufsätze besonders vorsichtig und treffen Sie besondere Sicherheitsvorkehrungen.

⚠️ WARNUNG: Um schwere persönliche Verletzungen zu verhindern, trennen Sie den Akkustecker vom Anschluss vor jeder Wartung, Reinigung oder vor einem Wechsel von Anbauten bzw. vor dem Entfernen von Schnittgut am Gerät.

GETRIEBEGEHÄUSE SCHMIEREN

Für optimale, dauerhafte Funktion sollten Sie das Getriebegehäuse nach etwa 50 Betriebsstunden mit je 4-5 g Spezial-Schmierstoff schmieren.

Dieser Schmierstoff sollte folgende Anforderungen erfüllen:

1. Zur NLGI-Klasse 1 nach DIN51818 gehören.
2. Schmierstoff auf Esterbasis.

3. Guter Start bei niedrigen Temperaturen, beste Eigenschaften bei extremem Druck und mechanischer Scherung, beständig gegen Abrieb und Oxidation.
4. Betriebstemperatur muss -40~180°C umfassen. Den Batterieanschluss und die Verschlusschraube entfernen. Das Getriebegehäuse durch das Schmierloch schmieren.

⚠️ WARNUNG: Nicht schmieren, wenn der Gestrüppschneider noch mit dem Akku verbunden ist oder läuft.

REINIGEN DES GERÄTES

- Reinigen Sie das Gerät mithilfe eines feuchten Tuchs mit einem milden Reinigungsmittel.
- Benutzen Sie keine starken Reiniger am Kunststoffgehäuse oder am Griff. Die Teile werden von Aromaölen wie z.B. Kiefer und Limone sowie von Lösungsmitteln wie beispielsweise Kerosin angegriffen. Feuchtigkeit stellt zudem eine Stromschlaggefahr dar. Wischen Sie feuchte Stellen mit einem weichen, Tuch trocken.

AUFBEWAHREN DES GERÄTES

- Ziehen Sie den Akkustecker vom Anschluss am Rasentrimmer ab, wenn er nicht benutzt wird.
- Reinigen Sie das Werkzeug gründlich, bevor Sie es verstauen.
- Lagern Sie das Gerät an einem trockenen, gut belüfteten Ort, der sich abschließen lässt oder hoch gelegen und für Kinder unerschbar ist. Lagern Sie das Gerät nicht auf oder neben Düngemitteln, Benzin oder anderen Chemikalien.
- Benutzen Sie eine Transportabdeckung für das Transportieren und Aufbewahren von Metallschneiden.

Schützen Sie die Umwelt



Elektrogeräte, alte Akkus und Ladegeräte dürfen nicht im Hausmüll entsorgt werden! Das Gerät muss einer offiziellen Recycling-Sammelstelle zur getrennten Entsorgung zugeführt werden. Elektrowerkzeuge müssen bei einer umweltfreundlichen Recycling-Einrichtung abgegeben werden. entally compatible recycling facility.

FEHLERBEHEBUNG

PROBLEM	URSACHE	LÖSUNG
Gerät startet nicht.	<ul style="list-style-type: none"> Der Akku ist nicht am Rasentrimmer angeschlossen. 	<ul style="list-style-type: none"> Akku an den Rasentrimmer anschließen.
	<ul style="list-style-type: none"> Kein elektrischer Kontakt zwischen Trimmer und Akku. 	<ul style="list-style-type: none"> Akku wieder in das vorgeschriebene Ladegerät einsetzen.
	<ul style="list-style-type: none"> Der Akku ist leer. 	<ul style="list-style-type: none"> Akku aufladen.
Gras wickelt sich um den Mähkopf und das Motorgehäuse.	<ul style="list-style-type: none"> Der Schutz ist nicht am Trimmer montiert. Das führt zu einem überlangen Mähfaden und zu einer Überlastung des Motors. 	<ul style="list-style-type: none"> Ziehen Sie den Akkustecker aus dem Anschluss und montieren Sie den Schnitenschutz am Trimmer.
	<ul style="list-style-type: none"> Der eingesetzte Nylonfaden ist zu schwer. 	<ul style="list-style-type: none"> Verwenden Sie den empfohlenen Nylonmähfaden mit höchstens 3,0 mm Durchmesser.
	<ul style="list-style-type: none"> Um den Motorschaft oder den Fadenkopf hat sich Gras gewickelt. 	<ul style="list-style-type: none"> Stellen Sie den Trimmer ab, entfernen Sie den Akku und beseitigen Sie das Gras vom Motorschaft und vom Mähkopf.
	<ul style="list-style-type: none"> Der Motor ist überlastet. 	<ul style="list-style-type: none"> Das Gerät erholt sich, wenn es nicht mehr stark belastet wird. Für durchgehendes Arbeiten sollte das Gerät nicht zu stark belastet werden.
	<ul style="list-style-type: none"> Der Akku oder der Rasentrimmer ist zu heiß. 	<ul style="list-style-type: none"> Lassen Sie den Akku oder Trimmer unter 67° C abkühlen.
	<ul style="list-style-type: none"> Der Stecker des Akkus ist vom Gerät getrennt. 	<ul style="list-style-type: none"> Schließen Sie den Stecker wieder an.
	<ul style="list-style-type: none"> Der Akku ist leer. 	<ul style="list-style-type: none"> Laden Sie den Akku auf.
The cutting line can't be released.	<ul style="list-style-type: none"> Um den Motorschaft oder den Fadenkopf hat sich Gras gewickelt. 	<ul style="list-style-type: none"> Stellen Sie den Rasentrimmer ab, entfernen Sie den Akku und beseitigen Sie das Gras am Motorschaft und am Mähkopf.
	<ul style="list-style-type: none"> Es ist nicht mehr ausreichend Faden im Mähkopf vorhanden. 	<ul style="list-style-type: none"> Entfernen Sie den Akku und wechseln Sie den Trimmerfaden aus. Befolgen Sie dazu den Abschnitt „AUSWECHSELN DES FADENS“ in dieser Bedienungsanleitung.
	<ul style="list-style-type: none"> Der Mähkopf ist verschmutzt. 	<ul style="list-style-type: none"> Entfernen Sie den Akku und reinigen Sie das untere Gehäuse, die Spule und das obere Gehäuse.
	<ul style="list-style-type: none"> Der Mähfaden hat sich im Mähkopf verfangen. 	<ul style="list-style-type: none"> Entfernen Sie den Akku, nehmen Sie den Faden aus der Spule und wickeln Sie ihn wieder auf. Befolgen Sie dazu den Abschnitt „AUSWECHSELN DES FADENS“ in dieser Bedienungsanleitung.
	<ul style="list-style-type: none"> Der Faden ist zu kurz. 	<ul style="list-style-type: none"> Entfernen Sie den Akku und ziehen Sie an den Fäden. Drücken Sie dabei abwechselnd den Mähkopf an und lassen Sie ihn wieder los.

PROBLEM	URSACHE	LÖSUNG
Grass wraps around trimmer head and motor housing	<ul style="list-style-type: none">■ Hohes Gras wird auf Bodenebene geschnitten.	<ul style="list-style-type: none">■ Kürzen Sie den Rasen in mehreren Abschnitten von nach unten bis zur Nabe.

GARANTIE

EGO GEWÄHRLEISTUNGSRICHTLINIE

Bitte besuchen Sie unsere website egopowerplus.com mit den kompletten EGO Garantiebedingungen.

LISEZ TOUTES LES INSTRUCTIONS!



LISEZ LE MANUEL D'UTILISATION

⚠ AVERTISSEMENT: Risques résiduels ! Les personnes portant des appareils électroniques, par exemple des stimulateurs cardiaques, doivent consulter leur(s) médecin(s) avant d'utiliser ce produit. L'utilisation d'un équipement électrique près d'un stimulateur cardiaque peut provoquer des interférences ou la panne du stimulateur cardiaque.



Alerte de sécurité



Porter une protection oculaire toujours porter un masque de sécurité ou des lunettes de sécurité avec boucliers latéraux et un masque facial intégral lors de l'utilisation de ce produit.



Porter une protection auditive toujours porter une protection auditive pendant l'utilisation de ce produit.



Porter une Protection de la Tête porter un casque de sécurité homologué pour protéger votre tête.



Ne pas installer de lame de coupe ronde.



Largeur : largeur de coupe maximale du taille-bordure



Veiller à ce que les autres personnes et les animaux restent éloignés d'au moins 15 m du taille-bordure pendant son utilisation.



Niveau de puissance acoustique garanti. Émission de bruit dans l'environnement conformément à la directive CE.



Les produits électriques usagés ne doivent pas être jetés avec les ordures ménagères. Apportez-les dans un centre de recyclage agréé.

n_0 Régime à vide-Vitesse de rotation sans charge



Courant continu

SYMBOLES DE SÉCURITÉ

⚠ AVERTISSEMENT: L'utilisation d'un outil électrique peut provoquer la projection d'objets étrangers dans vos yeux, ce qui peut provoquer des lésions oculaires graves. Avant de commencer à utiliser l'outil électrique, portez toujours un masque de sécurité ou des lunettes de sécurité avec des protections latérales et une visière complète si nécessaire. Nous vous recommandons de porter un Masque de Sécurité à Vision Panoramique par-dessus des lunettes de vue ou des lunettes de sécurité standards avec des protections latérales.



Pour réduire le risque de blessures, l'utilisateur doit lire la notice d'utilisation.



Porter des Chaussures de Sécurité porter des chaussures de sécurité antidérapantes pendant l'utilisation de cet équipement.



Porter des Gants Protecteurs protéger vos mains avec des gants pendant la manipulation des lames.



Prendre garde au rebond de lame. mettre en garde l'opérateur contre le danger de rebond de lame.



Diamètre : le diamètre du fil de coupe en nylon.



Des objets projetés peuvent ricocher et provoquer des blessures corporelles ou des dommages matériels. Toujours veiller à ce que les autres personnes et les animaux restent éloignés de la débroussailleuse pendant son utilisation.



Ne pas utiliser sous la pluie et ne pas laisser dehors quand il pleut.



Ce produit est conforme aux directives CE applicables.

V Tension

.../min Par minute

kg Kilogramme

SPÉCIFICATIONS

FR

Tension	56 V ---	
Régime à vide	Jusqu'à 5800 /min	
Mécanisme de coupe	Tête de coupe	
Type de fil de coupe	Fil torsadé en nylon 3,0mm	
Largeur de coupe	38 cm	
Température d'utilisation recommandée	0°C-40°C	
Température de stockage recommandée	-20°C-70°C	
Température de recharge optimale	5°C-40°C	
Poids (sans batterie)	5,8 kg	
Niveau de puissance acoustique mesuré L_{WA}	94,2 dB(A) K=1,8 dB(A)	
Pression acoustique au niveau des oreilles de l'opérateur L_{PA}	74,15 dB(A) K=2,5 dB(A)	
Niveau de puissance acoustique garanti L_{WA} (conformément à la norme 2000/14/CE)	96 dB(A)	
Niveau de vibration a_{hc}	Poignée auxiliaire avant	3,2 m/s ² K=1,5 m/s ²
	Poignée arrière	2,3 m/s ² K=1,5 m/s ²

- La valeur totale des vibrations indiquée a été mesurée selon une procédure conforme à une méthode de test standardisée et peut servir pour comparer différents outils.
- La valeur totale des vibrations indiquée peut également servir pour effectuer une première évaluation de l'exposition.

REMARQUE: L'émission de vibrations pendant l'utilisation réelle de l'outil électrique est fonction de la manière dont il est utilisé et peut différer de la valeur indiquée. Pour se protéger, l'opérateur doit porter des gants et un casque antibruit dans les conditions actuelles d'utilisation.

CONTENU DE L'EMBALLAGE (Image A1)

DESCRIPTION

DESCRIPTION DE VOTRE COUPE-BORDURE (Image A1)

22

COUPE-BORDURE SANS FIL LITHIUM-ION 56 V — STX3800

1. Prise
2. Verrou d'interrupteur
3. 1.Anneau du manche
4. Guidon
5. Ligne de coupe:
6. Assemblage du carter
7. Manche
8. Interrupteur-gâchette
9. Poignée arrière
10. Tête de coupe
11. Languette de déblocage
12. Lame de coupe
13. Barre de sécurité (pour tête de débroussailleuse uniquement)
14. Levier de verrouillage pour barre de sécurité (pour tête de débroussailleuse uniquement)
15. Bride extérieure (pour tête de débroussailleuse uniquement)
16. Écrou (pour tête de débroussailleuse uniquement)
17. Vis
18. Clé pour vis à six pans creux

ASSEMBLAGE

⚠ AVERTISSEMENT: Si une ou plusieurs pièces sont manquantes ou endommagées, n'utilisez pas cet outil tant que toutes les pièces n'ont pas été remplacées. Utiliser cet outil avec des pièces endommagées ou manquantes peut provoquer des blessures corporelles graves.

⚠ AVERTISSEMENT: N'essayez jamais de modifier cet outil ni de créer des accessoires non recommandés pour être utilisés avec cet outil. Toute altération ou modification de ce type constitue un usage inapproprié et peut engendrer une situation dangereuse susceptible de causer des blessures graves.

⚠ AVERTISSEMENT: Pour éviter un démarrage accidentel pouvant provoquer des blessures corporelles graves, retirez toujours la batterie de l'outil avant d'assembler une pièce.

⚠ AVERTISSEMENT: Lorsque l'outil est équipé d'une tête de débroussailleuse, la barre de sécurité doit être montée.

ASSEMBLER LE CAPOT DE PROTECTION

⚠ AVERTISSEMENT: Portez toujours des gants pour assembler ou remplacer le capot de protection. Prenez garde à la lame du capot de protection et protégez votre main pour éviter de vous couper.

⚠ AVERTISSEMENT: N'utilisez jamais l'outil sans son capot de protection solidement assemblé. Le capot de protection doit toujours être assemblé sur l'outil pour protéger l'utilisateur ! Une fois que le carter a été fixé, n'essayez jamais de le démonter ou de le régler. S'il doit être remplacé, cela doit être fait par un réparateur qualifié !

Desserrez et enlevez les deux vis du carter (schéma B), alignez les trous de montage du carter avec les trous de montage, puis verrouillez le carter sur la base du manche avec les deux vis et deux rondelles à ressort (schéma C).

⚠ AVERTISSEMENT: Vérifiez que le capot de protection est fixé comme montré sur les images B et C, un montage inversé est très dangereux !

INSTALLATION ET RÉGLAGE DU GUIDON

1. Arrêtez le moteur et débranchez le connecteur de la batterie de la prise si présent.
2. Desserrez l'écrou papillon pour séparer le guidon réglable (schéma D).

REMARQUE: Montez la barre de sécurité sur le guidon avec les deux vis lorsque l'outil est équipé d'une tête de débroussailleuse.

Image D - Description des pièces ci-dessous :

D-1	Guidon	D-4	Barre de sécurité (pour tête de débroussailleuse uniquement)
D-2	Bloc de fixation	D-5	Levier de verrouillage
D-3	Écrou papillon		

REMARQUE: Il existe deux types de leviers de verrouillage, le plus court est pour la tête de coupe-bordure. Le plus long est prévu pour la tête de débroussailleuse. Veillez à choisir le bon levier de verrouillage lorsque vous utilisez l'outil.

3. Poussez le guidon sur le manche en avant de l'anneau du manche. Ne le placez jamais entre l'anneau et la zone de la poignée arrière (schéma E).

REMARQUE: Ajustez le guidon entre l'anneau et l'étiquette d'avertissement lorsque l'outil est équipé d'une tête de débroussailleuse (schéma F).

4. Glissez le bloc de fixation dans la fente de la poignée (Image G).

5. Installez le levier de verrouillage et serrez-le à l'aide de l'écrou papillon. Veillez à ce que le guidon soit tourné vers le haut et dirigé vers le haut de la poignée arrière (Image H).
6. Ajustez la position du guidon entre l'anneau et l'étiquette jusqu'à ce que vous ayez trouvé une position confortable pour utiliser le coupe-bordure.
7. Verrouillez le levier de verrouillage (Image I).

⚠ AVERTISSEMENT: N'utilisez jamais l'outil si le guidon n'est pas solidement fixé.

⚠ AVERTISSEMENT: Le guidon doit uniquement être fixé entre l'anneau du manche et l'étiquette.

REPLACER LA TÊTE DE COUPE PAR UNE LAME 3 DENTS

1. Retirez la fiche secteur du coupe-bordure.
2. Tournez la tête de coupe pour aligner la fente de la bride avec le trou de verrouillage du manche dans le boîtier d'engrenage et insérez un stabilisateur dans le trou (schéma J).
3. Tournez la tête de coupe dans le sens des aiguilles d'une montre pour l'enlever (schéma J).
4. Retirez l'accessoire de carter en desserrant les trois vis avec rondelle (schéma K3).

REMARQUE: Pour éviter les risques de blessures, portez des gants avant toute opération avec la lame à 3 dents.

5. Montez la bride intérieure et le couvercle de la bride dans leur position (schéma L1).
6. Insérez la lame sur l'arbre du moteur en veillant à ce que la surface de la lame soit au ras de la surface du renflement de la bride intérieure. Assemblez la bride extérieure et l'écrou (schéma L2). Serrez un peu l'écrou à la main dans le sens contraire des aiguilles d'une montre.
7. Positionnez le boîtier d'engrenage contre une surface solide servant de support. Tenez l'axe de la tête de débroussailleuse d'une main et, de l'autre main, serrez l'écrou avec la clé multifonction dans le sens de la flèche marquée sur la bride externe (Image L3).

UTILISATION

⚠ AVERTISSEMENT: Veillez à ne pas devenir moins prudent au fur et à mesure que vous vous familiarisez avec cet outil. Gardez à l'esprit qu'une seconde d'inattention peut suffire pour provoquer des blessures graves.

⚠ AVERTISSEMENT: Portez toujours une protection oculaire et une protection auditive. Sans protection, des objets peuvent être projetés dans vos yeux et d'autres blessures graves peuvent se produire.

⚠ AVERTISSEMENT: N'utilisez aucun accessoire ou pièce non recommandé par le fabricant de ce produit. L'utilisation d'accessoires ou de pièces non recommandés peut provoquer de graves blessures corporelles.

⚠ AVERTISSEMENT: Pour éviter les blessures corporelles graves, retirez la batterie de l'outil avant de le réparer, de le nettoyer, de changer un accessoire ou de retirer des matières de l'outil.

Vous pouvez utiliser cet outil pour les usages listés ci-dessous :

Coupe-bordure : pour retirer le gazon et les mauvaises herbes à proximité de murs, clôtures, arbres et bordures.

Tonte : pour couper le gazon difficile à atteindre avec une tondeuse classique.

REMARQUE: L'outil ne doit être utilisé qu'à sa finalité prévue. Tout autre usage, par exemple le taillage de haies, est considéré inapproprié.

INSÉRER/RETIRER LE CABLE DE BATTERIE

Utilisez exclusivement les batteries et les chargeurs listes a la fig. A2.

Rechargez complètement la batterie avant la première utilisation.

Installer le câble de la batterie (schéma M)

Alignez la flèche ▲ de la prise avec la flèche ▲ du coupe-bordure. Insérez la fiche dans la machine jusqu'à ce que le joint vert disparaisse complètement dans la prise.

Retrait

Retirez le cordon de la batterie de la rainure de montage et retirez la fiche du coupe-bordure.

DÉMARRER ET ÉTEINDRE LE COUPE-BORDURE (Image N)

Allumer l'outil

Poussez le verrou d'interrupteur sur la position « ON », poussez la languette de verrouillage en avant puis appuyez sur l'interrupteur à gâchette. La gâchette permet d'ajuster la vitesse en continu. Plus vous enfoncez la gâchette, plus la vitesse augmente.

N-1	Verrou d'interrupteur	N-3	Interrupteur à gâchette
N-2	Languette de verrouillage		

Arrêter l'outil

Relâchez l'interrupteur à gâchette et poussez le bouton de déverrouillage en position "OFF" (ARRET).

⚠ AVERTISSEMENT: Débranchez toujours la batterie pendant les pauses durant le travail et après avoir terminé le travail.

UTILISER LE TAILLE-BORDURES

⚠ AVERTISSEMENT: Pour éviter des blessures corporelles graves, portez en permanence des lunettes de sécurité ou un masque pendant l'utilisation de cet outil. Portez un masque facial ou un masque à poussière dans les endroits poussiéreux.

Nettoyez la zone à couper avant chaque utilisation. Retirez tous les objets pouvant s'emmêler dans les accessoires de coupe ou être projetés, par exemple les pierres, les morceaux de verre, les clous, les fils métalliques, les ficelles. Veillez à ce qu'il n'y ait aucune autre personne, aucun enfant, ni aucun animal dans l'aire de travail. Veillez à ce que les enfants, les animaux ainsi que toute autre personne se tiennent toujours à au moins 15 m de l'outil en fonctionnement ; le risque de projection d'objets reste présent. Il est vivement recommandé que les autres personnes présentes portent une protection oculaire. Si une personne s'approche de vous, éteignez immédiatement le moteur et l'accessoire de coupe.

Avant chaque utilisation, inspectez l'outil pour vérifier qu'aucune de ses pièces n'est endommagée/usée.

Inspectez la tête de frappe, le capot de protection et le guidon, et remplacez les pièces fissurées, voilées, tordues ou présentant une autre détérioration.

La lame de coupe du fil présente sur le bord du capot de protection s'use avec le temps. Il est recommandé de l'affûter régulièrement avec une lime ou de la remplacer par une lame neuve.

Après chaque utilisation, nettoyez l'outil.

⚠ ATTENTION: Si les ouïes de ventilation sont bouchées, cela empêchera l'air de circuler dans le boîtier du moteur, ce qui peut provoquer la surchauffe et la détérioration du moteur.

- Nettoyez l'outil exclusivement avec un chiffon humide et du savon doux. Veillez à ce qu'aucun liquide ne pénètre jamais dans l'outil. N'immergez jamais aucune partie de l'outil dans un liquide.

- Veillez à ce que les ouïes de ventilation du boîtier du moteur soient toujours exemptes de débris.

⚠ AVERTISSEMENT: N'utilisez jamais d'eau pour nettoyer votre outil. N'utilisez pas de solvant pour nettoyer les pièces en plastique. La plupart des plastiques peuvent être détériorés par de nombreux types de solvants vendus dans le commerce. Utilisez des chiffons propres pour enlever les saletés, les poussières, l'huile, la graisse, etc.

RÉGLER LA LONGUEUR DU FIL DE COUPE

La tête de coupe permet à l'opérateur d'allonger le fil de coupe sans éteindre le moteur. Quand le fil de coupe devient usé ou effiloché, vous pouvez l'allonger en frappant légèrement le bouton de frappe sur le sol pendant que l'outil est en marche (Image V).

REMARQUE : L'allongement du fil est plus difficile quand il devient trop court.

⚠ AVERTISSEMENT: Ne retirez pas et ne modifiez pas l'assemblage du coupe-fil. Si la longueur du fil de coupe est excessive, cela peut provoquer la surchauffe du moteur et des blessures corporelles graves.

Changer le fil de coupe

REMARQUE: Utilisez toujours le fil de coupe en nylon recommandé d'un diamètre ne dépassant pas 3,0 mm. Utiliser un fil de coupe différent que celui spécifié peut provoquer la surchauffe ou la détérioration du taille-bordure.

⚠ AVERTISSEMENT: N'utilisez jamais de corde, de fil métallique, de fil à renfort métallique, etc., car ils peuvent se casser et devenir des projectiles dangereux.

1. Retirez la fiche secteur du coupe-bordure.
2. Retirez le fil de coupe restant, si nécessaire.
3. Préparez un fil de coupe d'une longueur de 8 m. Insérez le fil dans les trous d'assemblage des œillets (schéma 01). Poussez le fil et tirez-le de l'autre cote jusqu'à ce qu'il y ait une longueur de fil identique de chaque cote de la bobine.
4. Appuyez, tout en tournant le boîtier inférieur dans le sens de la flèche, pour enrouler le fil sur la bobine jusqu'à ce que 14 cm environ de fil dépassent de chaque côté (schéma 02).
5. Appuyez sur le boîtier inférieur tout en tirant les extrémités du fil pour les faire sortir manuellement et contrôler le bon assemblage de la tête de coupe.

Si le fil de coupe casse au niveau du trou de sortie ou s'il ne sort pas quand vous tapez sur la tête de coupe, procédez comme suit :

1. Appuyez sur les languettes de déblocage du boîtier supérieur et retirez le boîtier inférieur en le tirant vers l'extérieur (schéma K1 et K2).
2. Retirez le fil de coupe de la bobine.
3. Tenez le boîtier inférieur d'une main et utilisez l'autre main pour aligner les languettes du boîtier supérieur sur les trous du boîtier inférieur (schéma O3). Enfoncez le boîtier inférieur avec la paume de la main jusqu'à ce que les languettes se verrouillent dans le boîtier supérieur.
4. Pour recharger le fil de coupe, suivez les consignes indiquées dans la partie « CHANGER LE FIL DE COUPE ».

ENTRETIEN

⚠ AVERTISSEMENT: L'outil ne doit être réparé qu'avec des pièces de rechange identiques. Inspectez et entretenez l'outil régulièrement. Pour garantir la sécurité et la fiabilité, toutes les réparations doivent être effectuées par un réparateur qualifié.

⚠ AVERTISSEMENT: Les outils alimentés par batterie n'ont pas à être branchés dans une prise électrique, ils sont donc toujours prêts à fonctionner. Pour éviter des blessures corporelles graves, faites extrêmement attention lors de l'entretien et de la réparation de l'outil et lors du changement de l'accessoire de coupe ou d'autres accessoires.

⚠ AVERTISSEMENT: Pour éviter les blessures corporelles graves, retirez la batterie de l'outil avant de le réparer, de le nettoyer, de changer un accessoire ou d'enlever des matières de l'outil.

LUBRIFIER LE BOÎTIER D'ENGRENAGE

Pour optimiser le fonctionnement et maximiser la durée de vie, lubrifiez le boîtier d'engrenage avec une graisse spéciale (4-5 g chaque fois) toutes les 50 heures d'utilisation.

La graisse spéciale doit satisfaire aux critères suivants :

1. Appartenir à la classe NLGI-1 de profondeur de pénétration d'un cône selon la norme DIN51818.
2. Graisse à base d'esters.
3. Avoir d'excellentes propriétés de démarrage à basse température, de résistance aux pressions extrêmes, au cisaillement mécanique et à l'abrasion, et de stabilité à l'oxydation.

4. Températures d'utilisation comprises entre -40 °C et 180 °C. Débranchez la fiche de la batterie et la vis d'étanchéité. Lubrifiez le boîtier d'engrenage par le trou de graissage.

FR

⚠ AVERTISSEMENT: Ne lubrifiez pas pendant que la débroussailluse est encore connectée à la batterie ou encore en fonctionnement.

NETTOYER L'OUTIL

- Nettoyez l'outil avec un chiffon humide et un détergent doux.
- N'utilisez pas de détergent puissant sur le boîtier en plastique ou sur la poignée, car ils peuvent être endommagés par certaines huiles aromatiques, par exemple de pin et de citron, et par les solvants, par exemple l'essence. L'humidité peut également générer un risque de choc électrique. Essuyez les traces d'humidité avec un chiffon doux et sec.

RANGER L'OUTIL

- Retirez la batterie du coupe-bordure quand vous ne l'utilisez pas.
- Nettoyez soigneusement et intégralement l'outil avant de le ranger.
- Rangez l'outil dans un endroit sec, bien aéré, fermé à clé ou en hauteur, et hors de portée des enfants. Ne rangez pas l'outil sur ou à côté d'engrais, d'essence ou d'autres substances chimiques.
- Placez les lames en métal dans un étui de protection lors du transport et du stockage.

Protection de l'environnement



Ne jetez pas les équipements électriques, les batteries usées et les chargeurs avec les ordures ménagères ! Apportez ce produit chez un recycleur agréé et rendez-le disponible pour une collecte séparée. Les outils électriques doivent être amenés dans un centre de recyclage pour assurer un respect de l'environnement.

DÉPANNAGE

FR

PROBLÈME	CAUSE	SOLUTION
La machine ne démarre pas	<ul style="list-style-type: none"> La batterie n'est pas raccordée au coupe-bordure. 	<ul style="list-style-type: none"> Raccordez la batterie au coupe-bordure.
	<ul style="list-style-type: none"> Il n'y a pas de contact électrique entre l'outil et la batterie. 	<ul style="list-style-type: none"> Réinsérez la batterie avec le chargeur spécifié.
	<ul style="list-style-type: none"> La batterie est déchargée. 	<ul style="list-style-type: none"> Rechargez la batterie.
De l'herbe s'enroule autour de la tête de coupe et du boîtier du moteur.	<ul style="list-style-type: none"> Le capot de protection n'est pas assemblé sur l'outil, ce qui provoque une longueur excessive du fil de coupe et la surcharge du moteur. 	<ul style="list-style-type: none"> Retirez la batterie, puis assemblez le capot de protection sur l'outil.
	<ul style="list-style-type: none"> Un fil de coupe trop épais est utilisé. 	<ul style="list-style-type: none"> Utilisez le fil de coupe en nylon recommandé d'un diamètre ne dépassant pas 3,0 mm.
	<ul style="list-style-type: none"> L'arbre du moteur ou la tête de coupe est bloquée par de l'herbe. 	<ul style="list-style-type: none"> Éteignez l'outil, retirez la batterie, puis retirez l'herbe de l'arbre du moteur et de la tête de coupe.
	<ul style="list-style-type: none"> Le moteur est en surcharge. 	<ul style="list-style-type: none"> Le moteur pourra redémarrer quand la charge aura été retirée. Pour un usage continu, réduisez la charge de la machine.
	<ul style="list-style-type: none"> La batterie ou le coupe-bordure est trop chaud. 	<ul style="list-style-type: none"> Laissez la batterie et l'outil refroidir jusqu'à ce que sa température devienne inférieure à 67°C.
	<ul style="list-style-type: none"> La batterie est déconnectée de l'outil. 	<ul style="list-style-type: none"> Raccordez à nouveau le connecteur.
	<ul style="list-style-type: none"> La batterie est déchargée. 	<ul style="list-style-type: none"> Rechargez la batterie.
The cutting line can't be released.	<ul style="list-style-type: none"> L'arbre du moteur ou la tête de coupe est bloquée par de l'herbe. 	<ul style="list-style-type: none"> Éteignez l'outil, retirez la batterie, puis retirez l'herbe de l'arbre du moteur et de la tête de coupe.
	<ul style="list-style-type: none"> Il n'y a pas assez de fil dans la tête de coupe. 	<ul style="list-style-type: none"> Retirez la batterie et changez le fil de coupe. Pour cela, consultez le chapitre « CHANGER LE FIL DE COUPE » de ce manuel d'utilisation.
	<ul style="list-style-type: none"> La tête de coupe est sale. 	<ul style="list-style-type: none"> Retirez la batterie et nettoyez la bobine, le boîtier inférieur et le boîtier supérieur.
	<ul style="list-style-type: none"> Le fil est emmêlé dans la tête de coupe. 	<ul style="list-style-type: none"> Retirez la batterie, enlevez le fil de coupe de la bobine, puis rembobinez-le. Pour cela, consultez le chapitre « CHANGER LE FIL DE COUPE » de ce manuel d'utilisation.
	<ul style="list-style-type: none"> Le fil de coupe est trop court. 	<ul style="list-style-type: none"> Retirez la batterie, puis tirez les extrémités du fil de coupe en appuyant et relâchant alternativement la tête de coupe.

PROBLÈME	CAUSE	SOLUTION
Grass wraps around trimmer head and motor housing	<ul style="list-style-type: none">■ Vous coupez de l'herbe haute au ras du sol.	<ul style="list-style-type: none">■ Coupez l'herbe en plusieurs fois en partant du haut.

GARANTIE

POLITIQUE DE GARANTIE EGO

Veuillez consulter le site egopowerplus.com pour trouver l'ensemble des modalités et conditions de la politique de garantie EGO

¡LEA TODAS LAS INSTRUCCIONES!



LEA EL MANUAL DEL USUARIO

⚠ ADVERTENCIA: ¡Riesgo residual! Las personas con implantes electrónicos, como marcapasos, deberán consultar a su médico antes de utilizar este producto. La utilización de equipos eléctricos en las proximidades inmediatas de un marcapasos podría causar en este interferencias o averías.



Aviso de seguridad

Utilizar protección ocular utilice siempre utilice gafas de seguridad, gafas con cristales anti-impacto que cuenten con pantallas de protección lateral, o bien una máscara facial que proteja completamente la cara.



Utilizar protección auditiva lleve siempre protección auditiva cuando utilice este producto.



Utilizar protección para la cabeza lleve puesto casco de seguridad para protegerse la cabeza.



No instale cuchillas redondas.



Anchura: la anchura de corte máxima del cortabordes con cabezal de hilo

Asegúrese de que las personas y los animales domésticos se mantengan a una distancia mínima de 15 m cuando se esté usando el cortabordes con cabezal de hilo.



Nivel de potencia acústica garantizado. La emisión de ruido al medio ambiente cumple la directiva de la Comunidad Europea.



Los productos eléctricos no deben eliminarse con la basura doméstica. Llévelos a un centro de reciclaje autorizado.

n_0

Velocidad sin carga-Velocidad de giro, sin carga



Corriente continua

SÍMBOLOS DE SEGURIDAD

⚠ ADVERTENCIA: Cuando se utilizan herramientas eléctricas, es posible que salgan despedidos objetos que podrían causar lesiones oculares graves. Antes de empezar a usar herramientas eléctricas, póngase siempre gafas de seguridad, gafas con cristales anti-impacto que cuenten con pantallas de protección lateral, o bien una máscara facial que proteja completamente la cara. Recomendamos usar una máscara de seguridad de amplia visión que pueda utilizarse encima de gafas graduadas, o bien gafas normales de seguridad equipadas con pantallas laterales.



Para reducir el riesgo de lesiones, el usuario debe leer el manual de instrucciones.



Utilizar calzado de seguridad lleve calzado de seguridad antideslizante siempre que utilice este equipo.



Utilizar guantes de protección utilice guantes para protegerse las manos cuando manipule cuchillas o el protector de las cuchillas.



Tener cuidado con el contragolpe de las cuchillas advierta al usuario del peligro de contragolpe de las cuchillas.



Diámetro: tenga en cuenta el diámetro del hilo de corte indicado.



Los objetos lanzados pueden rebotar y provocar lesiones personales o daños materiales.

Asegúrese de que las personas y los animales domésticos se mantengan alejados cuando se esté usando la desbrozadora.



No utilice la herramienta bajo la lluvia ni la deje a la intemperie cuando esté lloviendo.



Este producto está en conformidad con las directivas de la CE aplicables.

V Tensión

.../min Por minuto

kg Kilogramo

ESPECIFICACIONES

ES

Tensión	56 V ---	
Velocidad sin carga	Hasta 5800 /min	
Mecanismo de corte	Cabezal de impacto	
Tipo de hilo de corte	Hilo retorcido de nailon de 3,0 mm	
Anchura de corte	38 cm	
Temperatura de funcionamiento recomendada	0°C-40°C	
Temperatura de almacenamiento recomendada	-20°C-70°C	
Temperatura óptima de carga	5°C-40°C	
Peso (sin batería)	5,8 kg	
Nivel de potencia acústica ponderado L_{WA}	94,2 dB(A) K=1,8 dB(A)	
Nivel de presión acústica medido a la altura del oído del usuario L_{PA}	74,15 dB(A) K=2,5 dB(A)	
Nivel de potencia acústica garantizado L_{WA} (medido según 2000/14/CE)	96 dB(A)	
Evaluación de la vibración a_{hv}	Empuñadura auxiliar delantera	3,2 m/s ² K=1,5 m/s ²
	Empuñadura trasera	2,3 m/s ² K=1,5 m/s ²

- El nivel total de vibraciones especificado ha sido medido conforme al método de prueba estándar empleado en la industria y puede utilizarse para efectuar comparaciones entre herramientas.
- Asimismo, el nivel total de vibraciones declarado podrá utilizarse para efectuar una evaluación preliminar de la exposición del usuario a los niveles de vibración generados por la herramienta.

AVISO: Las vibraciones generadas durante el uso real de la herramienta eléctrica podrán diferir del valor declarado en función de la manera en que se utilice. A modo de protección, el usuario deberá utilizar guantes y protectores auditivos en condiciones reales de uso.

LISTA DE EMBALAJE (Fig. A1)

DESCRIPCIÓN

FAMILIARÍCESE CON EL CORTABORDES CON CABEZAL DE HILO (Fig. A1)

1. Conexión
2. Palanca de desbloqueo
3. Abrazadera de tope
4. Empuñadura con bucle
5. Hilo de corte
6. Conjunto de protección
7. Tubo
8. Gatillo
9. Empuñadura posterior
10. Cabezal del cortabordes (cabezal de impacto)
11. Lengüeta de liberación
12. Cuchilla de recorte del hilo
13. Barrera de seguridad (solo para cabezal de desbrozadora)
14. Espiga de bloqueo de la barrera de seguridad (solo para cabezal de desbrozadora)
15. Brida exterior (solo para cabezal de desbrozadora)
16. Tuerca (solo para cabezal de desbrozadora)
17. Tornillo
18. Llave Allen

MONTAJE

⚠ ADVERTENCIA: Si alguna pieza falta o está rota, no utilice el producto hasta haber sustituido las piezas. Podrían producirse lesiones graves en caso de utilizar el producto si alguna de sus piezas falta o está dañada.

⚠ ADVERTENCIA: No intente modificar esta herramienta ni fabricar accesorios no recomendados para el uso con este cortabordes. Cualquier alteración o modificación se considerará uso indebido y podría provocar una situación peligrosa con riesgo de sufrir lesiones graves.

⚠ ADVERTENCIA: Para evitar una puesta en marcha accidental que podría causar lesiones graves, desenchufe siempre de la conexión el conector de la batería antes de montar piezas.

⚠ ADVERTENCIA: Si la herramienta está equipada con cabezal de desbrozadora, hay que instalar la barrera de seguridad.

MONTAJE DE LA PROTECCIÓN

⚠ ADVERTENCIA: Utilice siempre guantes al instalar o sustituir la protección. Tenga cuidado con la cuchilla instalada en la protección y protéjase las manos para evitar cortarse.

⚠ ADVERTENCIA: Nunca utilice la herramienta sin la protección instalada y firmemente sujeta en su sitio. ¡La protección deberá estar siempre instalada en la herramienta para proteger al usuario! Cuando la protección esté fijada, no intente nunca quitarla o ajustarla. ¡En caso de que haya que sustituirla, deberá hacerlo un técnico cualificado!

Afloje los dos tornillos de la protección y quítelos (fig. B), alinee los orificios de montaje de la protección con los orificios de instalación y, a continuación, bloquee la protección sobre la base del tubo utilizando los dos tornillos, junto con dos arandelas elásticas (fig. C).

⚠ ADVERTENCIA: Asegúrese de que la protección esté fijada tal como se muestra en las fig. B y C. ¡Si se fija de forma inversa provocará una situación de peligro grave!

MONTAJE Y AJUSTE DE LA EMPUÑADURA CON BUCLE

1. Pare el motor y desenchufe el conector de la batería de la conexión, si está instalada.
2. Afloje la tuerca de palometa para separar la empuñadura ajustable con bucle (fig. D).

NOTA: Si la herramienta está equipada con cabezal de desbrozadora, instale la barrera de seguridad sobre la empuñadura con bucle utilizando los dos tornillos.

Fig. D, ver abajo la descripción de las piezas:

D-1	Empuñadura con bucle	D-4	Barrera de seguridad (solo para cabezal de desbrozadora)
D-2	Bloque de fijación	D-5	Espiga de bloqueo
D-3	Tuerca de palometa		

NOTA: Hay dos tipos de espiga de bloqueo, la más corta es para el cabezal del cortabordes. La más larga es para el cabezal de desbrozadora. Tenga cuidado de escoger la espiga de bloqueo correcta cuando use la herramienta.

3. Empuje la empuñadura con bucle sobre el tubo en la parte delantera de la abrazadera de tope. No la ponga nunca entre la abrazadera de tope y el área de la empuñadura trasera (fig. E).

NOTA: Ajuste la empuñadura con bucle entre la abrazadera de tope y la etiqueta de advertencia si la herramienta está equipada con el cabezal de desbrozadora (fig. F).

4. Inserte el bloque de fijación en la ranura de la empuñadura (fig. G).
5. Monte la espiga de bloqueo y sujételos ligeramente con la tuerca de mariposa. Asegúrese de que la empuñadura con bucle quede hacia arriba y apunte hacia la parte superior de la empuñadura trasera (fig. H).
6. Ajuste la empuñadura con bucle entre la abrazadera de tope y la etiqueta, hasta encontrar una posición cómoda para usar el cortabordes.
7. Cierre la palanca de la espiga de bloqueo (fig. I).

⚠ ADVERTENCIA: Nunca utilice la herramienta sin la empuñadura con bucle instalada y firmemente sujeta en su sitio.

⚠ ADVERTENCIA: Fije solo la empuñadura con bucle entre la arandela de tope y la etiqueta.

INSTALAR EL CABEZAL DEL CORTABORDES CON LA CUCHILLA DE 3 DIENTES

1. Saque el enchufe de alimentación del cortabordes con cabezal de hilo.
2. Gire el cabezal del cortabordes para alinear la ranura en la brida con el orificio de bloqueo del tubo en la caja de engranaje, e inserte un estabilizador en el orificio (fig. J).
3. Gire el cabezal cortabordes en sentido horario para quitarlo (fig. J).
4. Quite el accesorio de protección aflojando los tres tornillos con arandelas (fig. K3).

NOTA: Debe llevar guantes para protegerse contra posibles lesiones cuando realice cualquier operación con la cuchilla de 3 dientes.

5. Monte en su posición la brida interior y la cubierta de la brida (fig. L1).
6. Instale la cuchilla en el eje del motor, asegurándose de que la superficie de la cuchilla esté a nivel con la superficie del saliente de la brida interior. Monte la brida exterior y la tuerca (fig. L2). Apriete previamente la tuerca a mano en sentido ANTIHORARIO.

7. Coloque la caja de engranaje contra una superficie sólida como apoyo. Sujete con una mano el tubo de la desbrozadora y con la otra mano utilice la llave multifuncional para apretar la tuerca siguiendo la dirección de la flecha marcada en la brida exterior (fig. L3).

ES

FUNCIONAMIENTO

⚠ ADVERTENCIA: No permita que la confianza que supone el hecho de estar familiarizado con el producto dé lugar a descuidos. Recuerde que cualquier distracción de una fracción de segundo es suficiente para provocar lesiones graves.

⚠ ADVERTENCIA: Utilice siempre gafas de seguridad, así como protección auditiva. De lo contrario, los objetos despedidos por la acción de la herramienta podrían alcanzar sus ojos y provocar lesiones graves oculares o de otro tipo.

⚠ ADVERTENCIA: No utilice piezas o accesorios que no hayan sido recomendados por el fabricante de este producto. La utilización de piezas o accesorios no recomendados por el fabricante podría provocar lesiones graves.

⚠ ADVERTENCIA: Para evitar lesiones graves, desenchufe el conector de la batería de la conexión antes de realizar cualquier reparación, limpieza, cambio de accesorios o de retirar acumulaciones de material cortado.

Este producto puede utilizarse para los fines indicados a continuación:

Recorte: se usa para quitar hierba y malas hierbas junto a paredes, vallas, árboles y bordes.

Corte: se usa para cortar la hierba difícil de alcanzar con un cortacésped normal.

NOTA: La herramienta debe utilizarse únicamente para el fin previsto. Cualquier otro uso, por ejemplo el corte de setos, se considerará uso indebido.

CONEXIÓN/DESCONEXIÓN DEL CABLE DE LA BATERÍA

Utilizar solo con los acumuladores y cargadores enumerados en la fig. A2.

Cargue totalmente la batería antes de usarla por primera vez.

Cómo instalar el cable de la batería (fig. M)

Alinee ▲ el enchufe con ▲ el cortabordes de hilo. Inserte el enchufe en la máquina hasta que la junta verde quede oculta totalmente en la conexión.

Para desconectarlo:

Suelte el cable de la batería de la ranura de montaje y saque el enchufe de la conexión del cortabordes de hilo.

PUESTA EN MARCHA / PARADA DEL CORTABORDES DE HILO (Fig. N)

Puesta en marcha

Ponga la palanca de desbloqueo en la posición "ON", empuje la lengüeta de bloqueo hacia delante y, a continuación, presione el gatillo interruptor. El gatillo ajusta la velocidad de forma continua. Cuanto más se levanta el gatillo, mayor es la velocidad.

N-1	Palanca de desbloqueo	N-3	Gatillo interruptor
N-2	Lengüeta de bloqueo		

Parada

Suelte el gatillo interruptor y vuelva a poner el botón de desbloqueo en la posición "OFF".

⚠ ADVERTENCIA: Desenchufe el conector de la batería de la conexión siempre que haga pausas en el trabajo, así como una vez finalizada la tarea.

USO DEL CORTABORDES DE HILO

⚠ ADVERTENCIA: Para evitar lesiones graves, lleve gafas de seguridad siempre que utilice esta herramienta. Use una mascarilla antipolvo si utiliza la herramienta en entornos polvorientos.

Antes de cada uso, despeje la zona de trabajo. Quite todos los objetos como piedras, vidrios rotos, clavos, alambres, cables o cuerdas, ya que podrían salir despedidos por la acción de la herramienta o enredarse en el elemento de corte. Mantenga a los niños, las mascotas y otras personas fuera de la zona de trabajo. Mantenga a niños, mascotas y otras personas a una distancia mínima de 15 m; existe riesgo de que salgan objetos despedidos. Se recomienda que cualquier persona presente en la zona de trabajo utilice protección ocular. Apague inmediatamente el motor o desactive el dispositivo de corte si se acerca alguna persona.

Antes de cada utilización, examine la herramienta por si hubiera piezas dañadas o desgastadas.

Examine el cabezal de impacto, la protección y la empuñadura con bucle. Sustituya cualquier pieza que esté agrietada, deformada, doblada o presente cualquier tipo de daño.

Con el tiempo, el filo de la cuchilla de recorte de hilo situada en la protección puede llegar a embotarse. Se recomienda afilarla con una lima a intervalos periódicos o sustituirla por otra nueva.

Limpie el cortabordes después de cada uso.

⚠ PRECAUCIÓN: Cualquier obstrucción de los orificios de ventilación impedirá la correcta circulación de aire por el interior de la carcasa del motor, pudiendo hacer que este se sobrecaliente o sufra daños.

- Use solo jabón suave y un paño húmedo para limpiar la herramienta. No deje nunca que entre líquido en la herramienta ni sumerja ninguna parte de la herramienta en ningún líquido.
- Mantenga en todo momento los orificios de ventilación de la carcasa del motor libres de residuos.

⚠ ADVERTENCIA: No use nunca agua para limpiar el cortabordes. Evite utilizar disolventes para limpiar las piezas de plástico. La mayoría de los plásticos se pueden dañar si se limpian con algunos de los tipos de disolventes disponibles en el mercado. Utilice paños limpios para eliminar la suciedad y los residuos de polvo, aceite, grasa, etc.

AJUSTE DE LA LONGITUD DEL HILO DE CORTE

El cabezal del cortabordes permite al usuario ir extrayendo más hilo de corte del carrete sin tener que detener el motor. A medida que el hilo se deshilacha o se desgasta, se puede extraer hilo adicional golpeando levemente el botón de extracción sobre el suelo mientras se utiliza el cortabordes (fig. V).

NOTA: La extracción del hilo de corte se hará más difícil si el hilo se queda demasiado corto.

⚠ ADVERTENCIA: No retire ni modifique el conjunto de la cuchilla de corte del hilo. Una longitud excesiva de hilo de corte hará que el motor se sobrecaliente y podría provocar lesiones graves.

Sustitución del hilo de corte

NOTA: Utilice siempre el hilo de corte de nailon recomendado, cuyo diámetro no sea mayor que 3,0 mm. Si se utiliza otro hilo de corte distinto al especificado, el cortabordes de hilo podría calentarse excesivamente y sufrir daños.

⚠ ADVERTENCIA: Nunca utilice carretes de alambre, hilo metálico reforzado, cuerda, etc., ya que podrían romperse y sus trozos convertirse en proyectiles peligrosos.

1. Saque el enchufe de alimentación del cortabordes con cabezal de hilo.
2. En caso necesario, quite el hilo de corte que quede.
3. Corte 8 m de hilo e inserte el hilo en el orificio de montaje en el interior de la anilla (fig. O1). Empuje y tire del hilo desde el otro lado, hasta que aparezca la misma cantidad de hilo por ambos lados del carrete.
4. Presione, al mismo tiempo que gira el conjunto de la tapa inferior en la dirección de la flecha, para enrollar el hilo en el carrete hasta que se vean aproximadamente 14 cm de hilo por cada lado (fig. O2).
5. Empuje el conjunto de la tapa inferior hacia abajo mientras tira de los hilos para hacer que el hilo avance manualmente, y para comprobar el montaje correcto del cabezal del cortabordes.

Si el hilo de corte se rompe de la salida del hilo o si no se libera hilo de corte cuando se golpea el cabezal del cortabordes, realice los pasos siguientes:

1. Presione las lengüetas de liberación situadas en la tapa superior y retire el conjunto de la tapa inferior tirando de él hacia fuera (fig. K1 y K2).
2. Quite el hilo de corte del carrete.
3. Sujetando con una mano el conjunto de la tapa inferior, use la otra mano para agarrar el conjunto de la tapa inferior y alinear las lengüetas de la tapa superior con los orificios del conjunto de la tapa inferior (fig. O3); presione con la palma de la mano el conjunto de la tapa inferior, hasta que las lengüetas se enclaven en la tapa superior.
4. Siga las instrucciones del apartado «SUSTITUCIÓN DEL HILO DE CORTE» para volver a cargar el hilo de corte.

MANTENIMIENTO

⚠ ADVERTENCIA: Cuando repare la herramienta, utilice solo piezas idénticas a las originales. Examine la herramienta regularmente y lleve a cabo las operaciones de mantenimiento. Para garantizar la seguridad y fiabilidad del producto, todas las reparaciones deberá realizarlas un técnico cualificado.

⚠ ADVERTENCIA: Las herramientas que funcionan a batería no requieren enchufarse en una toma de corriente. Por lo tanto, siempre están listas para funcionar. Para evitar lesiones graves, extermine las precauciones y proceda con cuidado al efectuar tareas de mantenimiento, reparación o sustitución del elemento de corte o de otros accesorios.

⚠ ADVERTENCIA: Para evitar lesiones graves, desenchufe el conector de la batería de la conexión antes de realizar cualquier reparación, limpieza, cambio o instalación de accesorios o de retirar acumulaciones de material cortado.

LUBRIQUE LA CAJA DE ENGRANAJES

Para disfrutar del mejor funcionamiento y una larga vida útil, lubrique la caja de engranajes con una grasa especial (4-5g cada vez) después de 50 horas de funcionamiento.

La grasa especial debe cumplir los siguientes requisitos.

1. Pertenecer a DIN51818: grado de penetración NLGI-1.
2. Grasa con base de éster.
3. Propiedades de excelente baja temperatura de arranque, EP, rodamiento mecánico, resistencia a la abrasión y estabilidad oxidativa.
4. Temperatura de funcionamiento entre -40~180°C. Retire la tapa de la batería y el tornillo sellador. Lubrique la caja de engranajes a través del orificio para aceite.

⚠ ADVERTENCIA: No lubricar mientras el aparato está conectado con la batería o funcionando.

LIMPIEZA DE LA UNIDAD

- Limpie la herramienta utilizando un paño húmedo y detergente suave.
- No utilice detergentes fuertes en la carcasa de plástico o en la empuñadura. Ciertos aceites aromáticos, como aquellos a base de limón o resina de pino y disolventes como queroseno, podrían dañar estas piezas. La humedad también puede provocar descargas eléctricas. Utilice un paño suave y seco para eliminar cualquier resto de humedad.

ALMACENAMIENTO DE LA HERRAMIENTA

- Desenchufe el conector de la batería de la conexión del cortabordes con cabezal de hilo cuando no lo utilice.
- Limpie a fondo la herramienta antes de guardarla.

- Almacene la herramienta en un lugar seco y bien ventilado, ya sea cerrado o a una altura suficiente que impida que los niños puedan alcanzarla. No la guarde encima ni cerca de fertilizantes, gasolina u otros productos químicos.
- Use una cubierta de transporte para las cuchillas de metal durante el transporte y almacenamiento.

Protección del medio ambiente



¡No elimine aparatos eléctricos, baterías usadas ni cargadores de baterías junto con los desperdicios domésticos! Lleve este producto a un punto de reciclaje autorizado y deposítelo por separado según corresponda. Las herramientas eléctricas se deben llevar a un punto de reciclaje con fin de proteger el medio ambiente.

RESOLUCIÓN DE PROBLEMAS

PROBLEMA	CAUSA	SOLUCIÓN
No arranca	<ul style="list-style-type: none"> La batería no está correctamente insertada en el cortabordes con cabezal de hilo. 	<ul style="list-style-type: none"> Inserte correctamente la batería en el cabezal del cortabordes.
	<ul style="list-style-type: none"> No hay contacto eléctrico entre la batería y el cortabordes. 	<ul style="list-style-type: none"> Vuelva a insertar la batería con el cargador especificado.
	<ul style="list-style-type: none"> La batería está agotada. 	<ul style="list-style-type: none"> Cargue la batería.
La hierba se enreda alrededor del cabezal y de la carcasa del motor	<ul style="list-style-type: none"> La protección no está instalada en el cortabordes, haciendo que el hilo de corte quede extraído a una longitud excesiva y el motor se sobrecargue. 	<ul style="list-style-type: none"> Desenchufe el conector de la batería de la conexión e instale la protección en el cortabordes.
	<ul style="list-style-type: none"> Se está utilizando un hilo de corte demasiado grueso. 	<ul style="list-style-type: none"> Utilice hilo de corte de nailon recomendado, con un diámetro no superior a 3,0 mm.
	<ul style="list-style-type: none"> Hay hierba enrollada en el eje del motor o el cabezal del cortabordes. 	<ul style="list-style-type: none"> Apague el cortabordes, quite la batería y quite la hierba del eje y del cabezal del cortabordes.
	<ul style="list-style-type: none"> El motor se ha sobrecargado. 	<ul style="list-style-type: none"> La máquina se recuperará cuando se retire la carga. Para un trabajo continuo, reduzca la carga de la herramienta.
	<ul style="list-style-type: none"> La batería o el cortabordes están demasiado calientes. 	<ul style="list-style-type: none"> Espere a que la batería o el cortabordes se hayan enfriado lo suficiente hasta que su temperatura sea inferior a 67 °C.
	<ul style="list-style-type: none"> El conector de la batería se ha desenchufado de la herramienta. 	<ul style="list-style-type: none"> Vuelva a enchufar el conector.
	<ul style="list-style-type: none"> La batería está agotada. 	<ul style="list-style-type: none"> Cargue la batería.

ES

PROBLEMA	CAUSA	SOLUCIÓN
The cutting line can't be released.	<ul style="list-style-type: none"> ■ Hay hierba enrollada en el eje del motor o el cabezal del cortabordes. 	<ul style="list-style-type: none"> ■ Apague el cortabordes, quite la batería y retire la hierba del eje del motor y cabezal del cortabordes.
	<ul style="list-style-type: none"> ■ No queda suficiente hilo de corte en el cabezal del cortabordes. 	<ul style="list-style-type: none"> ■ Quite la batería y sustituya el hilo de corte. Consulte el apartado "SUSTITUCIÓN DEL HILO DE CORTE" en este manual.
	<ul style="list-style-type: none"> ■ El cabezal del cortabordes está sucio. 	<ul style="list-style-type: none"> ■ Quite la batería y limpie el conjunto de la tapa inferior, el carrete y la tapa superior.
	<ul style="list-style-type: none"> ■ El hilo está enredado en el cabezal del cortabordes. 	<ul style="list-style-type: none"> ■ Quite la batería, retire el hilo de corte del carrete y vuelva a enrollarlo. Consulte el apartado "SUSTITUCIÓN DEL HILO DE CORTE" en este manual.
	<ul style="list-style-type: none"> ■ El hilo es demasiado corto. 	<ul style="list-style-type: none"> ■ Quite la batería y tire de los extremos del hilo de corte mientras presiona y suelta alternativamente el cabezal del cortabordes.
Grass wraps around trimmer head and motor housing	<ul style="list-style-type: none"> ■ Está cortando a nivel del suelo hierba demasiado alta. 	<ul style="list-style-type: none"> ■ Corte la hierba en varias secciones desde arriba hasta el nivel del suelo.

GARANTÍA

POLÍTICA DE GARANTÍA EGO

Por favor visite nuestra página web egopowerplus.com para los términos y las condiciones completas de la política de garantía EGO.

LEIA TODAS AS INSTRUÇÕES!



LEIA O MANUAL DE INSTRUÇÕES

AVISO: Risco residual! As pessoas com dispositivos eletrônicos, como pacemakers, deverão consultar o seu médico antes de utilizarem este produto. A utilização de equipamento elétrico perto de um pacemaker pode causar interferências ou falhas no pacemaker.



Alerta de segurança



Utilize proteção ocular Utilize sempre óculos de segurança com proteção lateral e, se necessário, uma proteção completa do rosto, quando utilizar este produto.



Utilize proteção auditiva Utilize sempre proteção auditiva ao utilizar este produto.



Use proteção para a cabeça Use um chapéu de proteção aprovado para proteger a cabeça.



Não instale lâminas de corte redondas.



Largura: A largura máx. de corte da roçadora



Certifique-se de que outras pessoas e animais permanecem a, pelo menos, 15 metros da roçadora durante a utilização.



Nível de potência do som garantido. Emissão de ruído para o ambiente de acordo com a diretiva da Comunidade Europeia.



Os resíduos elétricos não deverão ser eliminados juntamente com o lixo doméstico comum. Entregue-os num centro de reciclagem autorizado.

n_0

Velocidade sem carga-Velocidade de rotação, sem carga



Corrente direta

SÍMBOLOS DE SEGURANÇA

AVISO: O funcionamento de qualquer ferramenta elétrica pode dar origem ao ressalto de quaisquer objetos estranhos que podem atingir os olhos, podendo dar origem a sérias lesões oculares. Antes de começar a utilizar a ferramenta elétrica, utilize sempre óculos de segurança com proteções laterais e uma proteção completa para o rosto, quando necessário. Recomendamos a utilização de máscaras de segurança com visão panorâmica por cima dos óculos ou óculos de segurança padrão com proteção lateral.



De modo a reduzir os riscos de lesões, o utilizador tem de ler o manual de utilização.



Use calçado de segurança Use calçado de segurança antiderrapante quando usar este equipamento.



Use luvas de proteção Proteja as suas mãos com luvas quando manusear a lâmina ou a proteção da lâmina.



Cuidado com o impulso da lâmina Avise o operador do perigo de impulso da lâmina.



Diâmetro: O diâmetro do fio de corte de nylon



Objetos podem ressaltar e causar lesões pessoais ou danos materiais. Certifique-se de que outras pessoas e animais permanecem afastados da roçadeira durante a utilização.



Não use este produto à chuva nem o deixe no exterior quando chover.



Este produto encontra-se em conformidade com as diretivas CE aplicáveis.

V Voltagem

.../min Por minuto

kg Quilograma

ESPECIFICAÇÕES

PT

Voltagem	56 V ---	
Velocidade sem carga	Até 5800/min	
Mecanismo de corte	Cabeça de choque	
Tipo de fio de corte	Fio torcido de nylon de 3,0 mm	
Largura de corte	38 cm	
Temperatura de funcionamento recomendada	0°C-40°C	
Temperatura de armazenamento recomendada	-20°C-70°C	
Temperatura de carregamento ótima	5°C-40°C	
Peso (sem a bateria)	5,8 kg	
Nível de potência do som medido L_{WA}	94,2 dB(A) K=1,8 dB(A)	
Nível da pressão do som no ouvido do operador L_{PA}	74,15 dB(A) K=2,5 dB(A)	
Nível de potência acústica garantido L_{WA} (medido de acordo com 2000/14/CE)	96 dB(A)	
Avaliação da vibração a_{hv}	Pega auxiliar dianteira	3,2 m/s ² K=1,5 m/s ²
	Pega traseira	2,3 m/s ² K=1,5 m/s ²

- O valor total declarado da vibração foi medido de acordo com um método de teste padrão e pode ser usado para comparar duas ferramentas;
- O valor total declarado da vibração também pode ser usado numa avaliação preliminar da exposição.

AVISO: A emissão de vibrações durante a utilização da ferramenta elétrica pode diferir do valor declarado em que a ferramenta é usada. De modo a proteger o utilizador, este deverá utilizar luvas e proteção auditiva nas condições atuais de utilização.

LISTA DE PEÇAS (Imagem A1)

DESCRIÇÃO

CONHEÇA A SUA ROÇADORA DE FIO (Imagem A1)

1. Tomada

2. Alavanca de desbloqueio
3. Anilha de entrada
4. Pega em arco
5. Linha de corte
6. Conjunto da proteção
7. Eixo
8. Gatilho
9. Pega traseira
10. Cabeça da roçadora (cabeça de choque)
11. Aba de libertação
12. Lâmina de corte do fio
13. Barra de barreira de segurança (apenas para a cabeça da moto-roçadora)
14. Haste de fixação da barra de barreira de segurança (apenas para a cabeça da moto-roçadora)
15. Rebordo exterior (apenas para a cabeça da moto-roçadora)
16. Porca (apenas para a cabeça da moto-roçadora)
17. Parafuso
18. Chave sextavada

MONTAGEM

⚠ AVISO: Se houver peças danificadas ou em falta, não utilize o produto até ter substituído essas peças. Utilizar este produto com peças danificadas ou em falta pode dar origem a lesões pessoais sérias.

⚠ AVISO: Não tente modificar este produto nem criar acessórios que não sejam recomendados para utilizar com esta roçadora de fio. Qualquer alteração ou modificação é considerada uma má utilização e pode dar origem a perigos, que podem levar a possíveis lesões pessoais sérias.

⚠ AVISO: Para evitar um arranque acidental que possa causar lesões pessoais sérias, retire sempre o conector da bateria da tomada durante a montagem das peças.

⚠ AVISO: Quando a ferramenta vier equipada com uma cabeça de moto-roçadora, deverá montar a barra de barreira de segurança.

MONTAR A PROTEÇÃO

⚠ AVISO: Use sempre luvas quando montar ou substituir a proteção. Tenha cuidado com a lâmina na proteção e proteja a sua mão contra cortes.

⚠ AVISO: Nunca utilize o aparelho sem a proteção bem colocada. A proteção tem de estar sempre no aparelho para proteger o utilizador. Quando a proteção estiver fixada, nunca tente retirar nem ajustar a proteção. Se for necessário substituí-la, isso deverá ser efetuado por um técnico de reparação qualificado!

Solte e retire os dois parafusos da proteção (Imagem B), alinhe os orifícios de montagem da proteção com os orifícios de montagem e, depois, fixe a proteção na base do eixo com dois parafusos, juntamente com duas anilhas de mola (Imagem C).

⚠ AVISO: Certifique-se de que a proteção é fixada de acordo com a Imagem B e C. Qualquer fixação inversa dará origem a grandes perigos!

MONTAR E AJUSTAR A PEGA EM ARCO

1. Pare o motor e retire o conetor da bateria da tomada, caso esteja instalada.
2. Desaperte a porca de asas para separar a pega em arco ajustável (Imagem D).

AVISO: Instale o conjunto da barra de barreira de segurança na pega em arco com os dois parafusos quando a ferramenta vier equipada com a cabeça da moto-roçadora.

Imagem D: Descrição das peças apresentada abaixo:

D-1	Pega em arco	D-4	Barra de barreira de segurança (apenas para a cabeça da moto-roçadora)
D-2	Bloco de fixação	D-5	Haste de fixação
D-3	Porca de asas		

AVISO: Existem dois tipos de haste de fixação. A curta é para a cabeça da roçadora. A comprida é para a cabeça da moto-roçadora. Tenha o cuidado de escolher a haste de fixação correta quando usar a ferramenta.

3. Pressione a pega em arco para o eixo na frente da anilha de entrada. Nunca a coloque entre a anilha de entrada e a área da pega traseira (Imagem E).

AVISO: Ajuste a pega em arco entre a anilha de entrada e a etiqueta de aviso quando a ferramenta vier equipada com a cabeça da moto-roçadora (Imagem F).

4. Insira o bloco de fixação na ranhura da pega (Imagem G).
5. Monte a haste de fixação e pré-aperte com a porca de asas. Certifique-se de que a pega em arco fica para cima, virada para o topo da pega traseira (Imagem H).

6. Ajuste a pega em arco entre a anilha de entrada e a etiqueta, até encontrar a posição confortável quando usar a roçadora.
7. Fixe a alavanca da haste de fixação (Imagem I).

⚠ AVISO: Nunca utilize a ferramenta sem a pega em arco bem colocada.

⚠ AVISO: Fixe a pega em arco apenas entre a anilha de entrada e a etiqueta.

SUBSTITUA A CABEÇA DA ROÇADORA PELA LÂMINA DE 3 DENTES

1. Retire a ficha de alimentação do aparador de fio.
2. Rode a cabeça do aparador para alinhar a ranhura no rebordo com o orifício de fixação do eixo na estrutura do carreto e insira um estabilizador no orifício (Imagem J).
3. Rode a cabeça do aparador no sentido dos ponteiros do relógio para a retirar (Imagem J).
4. Retire a proteção, desapertando os três parafusos com anilha (Imagem K3).

AVISO: Para se proteger de lesões, tem de usar luvas antes de qualquer operação com a lâmina de 3 dentes.

5. Monte o rebordo interior e a cobertura do rebordo no respetivo lugar (Imagem L1).
6. Monte a lâmina no eixo do motor, certificando-se de que a superfície da lâmina fica nivelada com a superfície da saliência do rebordo interior. Monte o rebordo exterior e a porca (Imagem L2). Aperte à mão a porca no SENTIDO INVERSO AO DOS PONTEIROS DO RELÓGIO.
7. Coloque a estrutura do carreto contra uma superfície sólida para a suportar. Com uma mão, segure o eixo da moto-roçadora e, com a outra mão, segure a chave multifunções para apertar a porca na direção da seta assinalada no rebordo exterior (Imagem L3).

FUNCIONAMENTO

⚠ AVISO: Não deixe que a sua familiaridade com o produto o torne descuidado. Lembre-se de que uma fração de segundo de desatenção é o suficiente para sofrer uma lesão séria.

⚠ AVISO: Utilize sempre proteção ocular, juntamente com proteção auricular. Se não o fizer, pode apanhar com objetos nos olhos, dando origem a possíveis lesões sérias.

⚠ AVISO: Não utilize quaisquer acessórios para além dos recomendados pelo fabricante deste produto. A utilização de acessórios que não sejam recomendados pode dar origem a lesões pessoais sérias.

⚠ AVISO: Para evitar lesões pessoais sérias, desligue o conector da bateria da tomada antes da reparação, limpeza, mudança de acessórios ou remoção de material da unidade.

Pode utilizar este produto com os intuitos listados em baixo:

Aparar: Usado para retirar relva e ervas encostadas a paredes, vedações, árvores e canteiros.

Cortar: Usado para cortar relva de difícil acesso com uma máquina de cortar relva normal.

AVISO: A ferramenta tem de ser usada apenas conforme descrito. Qualquer outra utilização, por exemplo desbaste de sebes, será considerada má utilização.

FIXAR/RETIRAR O CABO DA BATERIA

Utilize apenas com as baterias e carregadores listados na imagem A2.

Carregue por completo antes da primeira utilização.

Instalar o fio da bateria (Imagem M)

Alinhe ▲ da ficha com ▲ da roçadora. Insira a ficha na máquina até que o vedante verde desapareça por completo na tomada.

Retirar

Liberte o fio da bateria da ranhura de fixação e retire a ficha da roçadora.

LIGAR/DESLIGAR A ROÇADORA DE FIO (Imagem N)

Para ligar

Prima a alavanca de desbloqueio para a posição "ON", prima o trinco de fixação para a frente e prima o gatilho do interruptor. O gatilho ajusta a velocidade continuamente. Quanto mais pressionar o gatilho, maior será a velocidade.

N-1	Alavanca de desbloqueio	N-3	Gatilho do interruptor
N-2	Trinco de fixação		

Para parar

Liberte o gatilho do interruptor e prima o botão de desbloqueio para a posição "OFF".

⚠ AVISO: Retire sempre o conector da bateria da tomada durante pausas de trabalho e após terminar o trabalho.

USAR A ROÇADORA DE FIO

⚠ AVISO: Para evitar lesões pessoais sérias, utilize sempre óculos de segurança quando utilizar este aparelho. Use uma máscara para o rosto ou máscara do pó em locais poeirentos.

Desobstrua a área a ser cortada antes de cada utilização. Retire todos os objetos, como pedras, vidro partido, pregos, arames ou fios que possam ser atirados ou ficar presos no acessório de corte. Afaste as crianças, terceiros e animais. No mínimo, mantenha as crianças, terceiros e animais a um raio de 15 metros. Poderá continuar a haver um risco para as pessoas devido aos objetos que possam ser atirados. Quaisquer terceiros deverão ser encorajados a utilizar proteção ocular. Se alguém se aproximar, desligue imediatamente o motor e o acessório de corte.

Antes de cada utilização, verifique se existem peças gastas ou danificadas.

Verifique a cabeça de choque, proteção e pega em arco, e substitua as peças rachadas, torcidas, dobradas ou danificadas de algum modo.

Esta lâmina para cortar o fio na extremidade da proteção pode deixar de ficar afiada com o passar do tempo. Recomendamos que afie periodicamente com uma lima ou que a substitua por uma lâmina nova.

Após cada utilização, limpe a roçadora.

⚠ CUIDADO: As obstruções nas aberturas de ventilação impedem que o ar flua para a estrutura do motor, dando origem a um sobreaquecimento ou danos no motor.

- Utilize apenas detergente neutro e um pano humedecido para limpar o aparelho. Nunca permita que entre líquido no aparelho e nunca coloque qualquer parte do aparelho dentro de qualquer líquido.
- Mantenha sempre as aberturas de ventilação da estrutura do motor sem lixo.

⚠ AVISO: Nunca utilize água para limpar a sua roçadora. Evite utilizar solventes quando limpa peças de plástico. Grande parte dos plásticos podem ficar danificados devido a vários tipos de solventes comerciais. Utilize panos limpos para retirar a sujidade, pó, óleo, gordura, etc.

AJUSTAR O COMPRIMENTO DO FIO DE CORTE

A cabeça da roçadeira permite ao operador libertar mais linha de corte sem parar o motor. À medida que a linha fica gasta, pode libertar mais linha, batendo ligeiramente o manípulo de choque no chão enquanto utiliza o aparador (Imagem V).

AVISO: A libertação da linha irá ser mais difícil pois a linha começa a ficar mais curta.

AVISO: Não retire nem altere o conjunto da lâmina de corte da linha. Uma linha com um comprimento excessivo faz o motor sobreaquecer e pode dar origem a lesões pessoais sérias.

Substituição da linha

AVISO: Use sempre o fio de corte de nylon recomendado, com um diâmetro que não exceda 3,0 mm. Usar o fio com outros intuitos pode fazer com que a roçadora sobreaqueça ou fique danificada.

AVISO: Nunca use fio de metal reforçado, arame, corda, etc. Estes podem partir e tornar-se projéteis perigosos.

1. Retire a ficha da alimentação do aparador de fio.
2. Retire o fio de corte restante, se necessário.
3. Corte 8m de fio de corte. Insira o fio no orifício de fixação no interior do ilhó (imagem 01). Pressione e puxe o fio a partir do outro lado, até que apareçam quantidades iguais de fio em ambos os lados da bobina.
4. Pressione, enquanto roda o conjunto da cobertura inferior na direção da seta, para enrolar o fio na bobina até que apareçam cerca de 14 cm de fio de cada lado (Imagem 02).
5. Pressione o conjunto da cobertura dianteira para baixo enquanto puxa os fios para os fazer avançar manualmente, e certifique-se da montagem adequada da cabeça do aparador.

Quando o fio de corte se partir na saída do fio, ou não for libertado quando bater com a cabeça do aparador, siga os passos apresentados abaixo:

1. Prima as abas de libertação na cobertura dianteira e retire o conjunto da cobertura inferior puxando a direita (Imagem K1 e K2).
2. Retire o fio de corte do fixador da bobina.
3. Com uma mão a segurar o conjunto da cobertura superior, use a outra mão para segurar o conjunto da cobertura inferior e alinhar as abas na cobertura com os orifícios no conjunto da cobertura inferior (Imagem 03). Use a palma da mão para pressionar o conjunto da cobertura inferior até que as abas fiquem fixadas na cobertura superior.

4. Siga as instruções em “SUBSTITUIÇÃO DO FIO” para recarregar o fio de corte.

MANUTENÇÃO

AVISO: Quando fizer reparações, utilize apenas peças sobresselentes idênticas. Inspeção e efetue a manutenção da máquina com regularidade. Para assegurar a segurança e bom funcionamento, todas as reparações deverão ser efetuadas por um técnico de reparação qualificado.

AVISO: As ferramentas que funcionam a bateria não têm de ser ligadas a uma tomada elétrica; assim, estão sempre em estado de funcionamento. Para evitar lesões pessoais sérias, tenha muito cuidado quando efetuar a manutenção, reparação ou mudança do acessório de corte ou de outros acessórios.

AVISO: Para evitar lesões pessoais sérias, retire o conector da bateria da tomada antes da reparação, limpeza, mudança de acessórios ou remoção de material da unidade.

LUBRIFICAR A CAIXA DOS CARRETOS

Para um melhor funcionamento e um tempo de vida mais prolongado, lubrifique a caixa dos carretos com um lubrificante especial (cerca de 4 a 5 g de cada vez) a cada 50 horas de funcionamento.

O lubrificante especial deverá ir de encontro aos seguintes requisitos.

1. Pertencer ao grau de penetração cônica DIN51818:NLGI-1.
2. Lubrificante à base de éster.
3. Excelente arranque a baixas temperaturas, EP, resistente à abrasão e desgaste mecânico e propriedades estabilizadoras oxidativas.
4. A temperatura de funcionamento tem de se encontrar entre os -40 °C e os 180 °C. Retire a ficha da bateria e o parafuso vedante. Lubrifique a caixa dos carretos através do orifício do óleo.

AVISO: Não lubrifique enquanto a roçadora ainda estiver ligada à bateria ou a funcionar.

LIMPEZA DA UNIDADE

- Limpe a unidade com um pano ligeiramente embebido em água e um detergente neutro.

- Não use detergentes fortes na estrutura de plástico ou na pega. Estes podem ser danificados por determinados óleos aromáticos, como pinho e limão e por solventes como querosene. A humidade também pode causar um perigo de choque. Retire qualquer vestígio de humidade com um pano suave e seco.

GUARDAR A UNIDADE

- Retire o conector da bateria da tomada da roçadora de fio quando não a utilizar.
- Limpe bem o aparelho antes de o guardar.
- Guarde a unidade num local seco, bem ventilado, trancado ou elevado, fora do alcance das crianças. Não armazene a unidade em cima ou perto de fertilizantes, gasolina ou outros químicos.
- Utilize uma cobertura de transporte para as lâminas de metal durante o transporte e armazenamento.

Proteção do ambiente



Não elimine equipamento elétrico, bateria gasta nem carregador juntamente com o lixo doméstico comum! Leve este produto a um centro de reciclagem autorizado para que possa haver uma separação das peças. As ferramentas elétricas têm de ser devolvidas em instalações de reciclagem ambientalmente compatíveis.

RESOLUÇÃO DE PROBLEMAS

PROBLEMA	CAUSA	SOLUÇÃO
Falha ao iniciar.	<ul style="list-style-type: none"> ■ A bateria não foi colocada no corta-sebes. ■ Não existe contacto elétrico entre a roçadora e a bateria. ■ A bateria está gasta. 	<ul style="list-style-type: none"> ■ Fixe a bateria na roçadora de fio. ■ Volte a inserir a bateria com o carregador especificado. ■ Carregue a bateria.
A relva enrola-se à volta da cabeça da roçadora e da estrutura do motor.	<ul style="list-style-type: none"> ■ A proteção não está montada na roçadora, fazendo com que haja um fio excessivamente comprido e o sobreaquecimento do motor. ■ Está a usar uma linha de corte muito pesada. ■ O eixo do motor ou a cabeça da roçadora está cheia de erva. ■ O motor está sobrecarregado. ■ A bateria ou a roçadora de fio estão muito quentes. ■ O conector da bateria foi desligado da ferramenta. ■ A bateria está gasta. 	<ul style="list-style-type: none"> ■ Retire o conector da bateria da tomada e monte a proteção na roçadora. ■ Use o fio de corte de nylon recomendado com um diâmetro nunca superior a 3,0 mm. ■ Pare a roçadora, retire a bateria e retire a relva do eixo e da cabeça da roçadora. ■ A máquina recupera quando a carga for retirada. Para um funcionamento contínuo, diminua a carga da máquina. ■ Deixe a bateria ou roçadora arrefecer até que a temperatura atinja menos de 67 °C. ■ Volte a ligar o conector. ■ Carregue a bateria.
The cutting line can't be released.	<ul style="list-style-type: none"> ■ O eixo do motor ou a cabeça da roçadora está cheia de erva. ■ Não tem fio suficiente na cabeça da roçadora. ■ A cabeça da roçadora está suja. ■ O fio está entrelaçado na cabeça da roçadora. ■ O fio é demasiado curto. 	<ul style="list-style-type: none"> ■ Pare a roçadora, retire a bateria e retire a relva do eixo do motor e da cabeça da roçadora. ■ Retire a bateria e substitua o fio de corte. Siga a secção "SUBSTITUIÇÃO DO FIO" neste manual. ■ Retire a bateria e limpe o conjunto da cobertura inferior, bobina e cobertura superior. ■ Retire a bateria, retire o fio da bobina e enrolre. Siga a secção "SUBSTITUIÇÃO DO FIO" neste manual. ■ Retire a bateria e puxe os fios enquanto pressiona alternadamente e liberta a cabeça da roçadora.
Grass wraps around trimmer head and motor housing	<ul style="list-style-type: none"> ■ Corte erva alta até ao nível do solo. 	<ul style="list-style-type: none"> ■ Corte as ervas em várias secções, desde o topo até ao fundo.



GARANTIA

POLÍTICA DE GARANTIA EGO

Por favor, visite o website egopowerplus.com para saber todos os termos e condições da política de garantia EGO.

PT

LEGGERE TUTTE LE ISTRUZIONI!



LEGGERE IL MANUALE DI ISTRUZIONI

AVVERTENZA! Rischi residui! Le persone portatrici di dispositivi elettronici, ad esempio pacemaker, devono consultare il proprio medico prima di usare questo prodotto. L'uso di apparecchi elettrici in prossimità di pacemaker cardiaci comporta il rischio di interferenze o malfunzionamento del pacemaker.



Avvertenza di sicurezza



Indossare protezioni per gli occhi - Durante l'uso del prodotto, indossare sempre occhiali protettivi o occhiali di sicurezza con protezioni laterali e una maschera facciale.



Indossare protezioni per le orecchie - Durante l'uso del prodotto, indossare sempre protezioni per le orecchie.



Indossare protezioni per la testa - Indossare un casco di sicurezza omologato per proteggere la testa.



Non installare lame rotonde.



Ampiezza - Ampiezza di taglio max. del decespugliatore



Assicurarsi che eventuali altre persone e animali rimangano ad almeno 15 m di distanza dall'apparecchio quando è in funzione.



Livello di potenza sonora garantito. Emissione di rumore nell'ambiente conforme alla direttiva dell'Unione europea.



I prodotti elettrici non devono essere smaltiti insieme ai rifiuti domestici. Portarli presso un centro di riciclaggio autorizzato.

n_0

Velocità a vuoto-Velocità di rotazione, senza carico



Corrente continua

SIMBOLI DI SICUREZZA

AVVERTENZA! L'uso di apparecchi elettrici può causare il lancio di oggetti estranei verso l'operatore, con il rischio di lesioni gravi agli occhi. Durante l'uso dell'apparecchio, indossare sempre occhiali protettivi o occhiali di sicurezza con protezioni laterali e, se necessario, una maschera facciale. Si consiglia di indossare una maschera di sicurezza con ampio campo visivo sopra gli occhiali o occhiali di sicurezza standard con protezioni laterali.



Per ridurre il rischio di infortunio, l'operatore deve leggere il manuale di istruzioni.



Indossare calzature di sicurezza - Indossare calzature di sicurezza antiscivolo durante l'uso di questo apparecchio.



Indossare guanti di sicurezza - Proteggere le mani con i guanti durante la manipolazione della lama o della cuffia di protezione.



Fare attenzione al rischio di contraccolpo - Avverte l'operatore del pericolo di contraccolpo della lama.



Diametro - Diametro del filo di taglio in nylon



Gli oggetti lanciati possono rimbalzare e causare danni o lesioni. Assicurarsi che eventuali altre persone e animali rimangano a distanza dall'apparecchio quando è in funzione.



Non usare l'apparecchio in caso di pioggia e non lasciarlo all'aperto quando piove.



Questo prodotto è conforme alle direttive europee applicabili.

V Tensione

.../min Al minuto

kg Chilogrammo

SPECIFICHE TECNICHE

Tensione	56 V $\overline{\text{---}}$	
Velocità a vuoto	Fino a 5800 /min	
Meccanismo di taglio	Testa con rilascio del filo mediante pressione	
Tipo di filo di taglio	Filo in nylon attorcigliato 3,0 mm	
Ampiezza di taglio	38 cm	
Temperatura di funzionamento raccomandata	0°C-40°C	
Temperatura di conservazione raccomandata	-20°C-70°C	
Temperatura di ricarica ottimale	5°C-40°C	
Peso (senza gruppo batteria)	5,8 kg	
Livello di potenza sonora misurato L_{WA}	94,2 dB(A) K=1,8 dB(A)	
Livello di pressione sonora a livello dell'orecchio dell'operatore L_{PA}	74,15 dB(A) K=2,5 dB(A)	
Livello di potenza sonora garantito L_{WA} (misurato conformemente a 2000/14/EC)	96 dB(A)	
Valore di vibrazioni $a_{h\text{v}}$	Impugnatura anteriore ausiliaria	3,2 m/s ² K=1,5 m/s ²
	Impugnatura posteriore	2,3 m/s ² K=1,5 m/s ²

- Il valore totale di vibrazioni indicato è stato misurato tramite il metodo di collaudo standard e può essere utilizzato per confrontare l'apparecchio con altri prodotti analoghi.
- Il valore totale di vibrazioni indicato può essere utilizzato anche per una valutazione preliminare dei livelli di esposizione.

NOTA: L'emissione di vibrazioni durante l'uso effettivo dell'apparecchio può variare rispetto al valore indicato in base a come viene utilizzato l'utensile. Per proteggerci, l'operatore deve indossare guanti e dispositivi di protezione per le orecchie in base alle reali condizioni d'uso.

CONTENUTO DELLA CONFEZIONE (Fig. A1)

DESCRIZIONE

DESCRIZIONE DEL DECESPUGLIATORE (Fig. A1)

1. Presa
2. Leva di sbloccaggio
3. Anello limitatore
4. Impugnatura ad anello
5. Filo di taglio
6. Gruppo protezione parasassi
7. Asta
8. Interruttore a leva
9. Impugnatura posteriore
10. Testa di taglio (rilascio del filo mediante pressione)
11. Linguetta di rilascio
12. Lama taglia-filo
13. Barra di protezione (solo per testa di taglio con lama)
14. Perno di bloccaggio della barra di protezione (solo per testa di taglio con lama)
15. Flangia esterna (solo per testa di taglio con lama)
16. Dado (solo per testa di taglio con lama)
17. Vite
18. Chiave esagonale

ASSEMBLAGGIO

⚠ AVVERTENZA! In caso di componenti danneggiati o mancanti, non usare l'apparecchio finché i componenti non vengono sostituiti. L'uso dell'apparecchio con componenti danneggiati o mancanti comporta il rischio di lesioni gravi.

⚠ AVVERTENZA! Non tentare di modificare l'apparecchio o creare accessori non raccomandati per l'uso con questo apparecchio. Tali alterazioni o modifiche costituiscono un uso improprio e comportano condizioni pericolose e il rischio di lesioni gravi.

⚠ AVVERTENZA! Per evitare l'avvio accidentale e il conseguente rischio di lesioni gravi, scollegare sempre il connettore della batteria dalla presa durante l'assemblaggio dei componenti.

⚠ AVVERTENZA! Quando sull'utensile è installata la testa di taglio con lama, è necessario installare anche la barra di protezione.

INSTALLAZIONE DELLA PROTEZIONE PARASASSI

⚠ AVVERTENZA! Indossare sempre i guanti durante l'installazione o la sostituzione della protezione parasassi. Fare attenzione alla lama sulla protezione parasassi e proteggere le mani dal rischio di lesioni.

⚠ AVVERTENZA! Non usare l'apparecchio se la protezione parasassi non è posizionata correttamente e saldamente. La protezione parasassi deve essere sempre installata per proteggere l'operatore! Dopo aver fissato la protezione parasassi, non tentare mai di rimuoverla o regolarla. Se è necessario sostituirla, affidare l'operazione a un tecnico qualificato!

Allentare e rimuovere le due viti dalla protezione parasassi (Fig. B), allineare i fori di montaggio della cuffia con i fori di assemblaggio, quindi bloccare la cuffia sulla base dell'asta con le due viti e le due rondelle a molla (Fig. C).

⚠ AVVERTENZA! Accertarsi che la cuffia sia fissata come illustrato in Fig. B e C; un fissaggio invertito comporta gravi rischi!

INSTALLAZIONE E REGOLAZIONE DELL'IMPUGNATURA AD ANELLO

1. Arrestare il motore e scollegare il connettore della batteria dalla presa, se installata.
2. Allentare il dado a farfalla per separare l'impugnatura ad anello regolabile (Fig. D).

NOTA: installare il gruppo barra di protezione sull'impugnatura ad anello con le due viti se sull'utensile è installata la testa di taglio con lama.

Descrizione delle parti in Fig. D:

D-1	Impugnatura ad anello	D-4	Barra di protezione (solo per testa di taglio con lama)
D-2	Morsetto	D-5	Perno di bloccaggio
D-3	Dado a farfalla		

NOTA: sono inclusi due tipi di perno di bloccaggio; quello più corto è destinato alla testa di taglio con filo, quello più lungo è destinato alla testa di taglio con lama. Selezionare il perno di bloccaggio corretto durante l'uso dell'utensile.

3. Spingere l'impugnatura ad anello sull'asta, davanti all'anello limitatore. Non posizionarla tra l'anello limitatore e l'area dell'impugnatura posteriore (Fig. E).

NOTA: regolare la posizione dell'impugnatura ad anello tra l'anello limitatore e l'etichetta quando sull'utensile è installata la testa di taglio con lama (Fig. F).

4. Inserire il morsetto nella fessura dell'impugnatura (Fig. G).
5. Inserire il perno di bloccaggio e serrarlo leggermente con il dado a farfalla. Accertarsi che l'impugnatura ad anello sia ruotata verso l'alto e rivolta verso la parte superiore dell'impugnatura posteriore (Fig. H).
6. Regolare la posizione dell'impugnatura ad anello tra l'anello limitatore e l'etichetta fino a trovare la posizione più confortevole durante l'uso dell'utensile.
7. Chiudere la leva del perno di bloccaggio (Fig. I).

⚠ AVVERTENZA! Non usare l'apparecchio se l'impugnatura ad anello non è posizionata saldamente.

⚠ AVVERTENZA! Fissare l'impugnatura ad anello esclusivamente tra l'anello limitatore e l'etichetta.

SOSTITUZIONE DELLA TESTA DI TAGLIO CON FILO CON LA LAMA A 3 DENTI

1. Scollegare il cavo di alimentazione dal decespugliatore.
2. Ruotare la testa del decespugliatore per allineare la fessura nella flangia con il foro di bloccaggio dell'asta nella scatola degli ingranaggi e inserire uno stabilizzatore nel foro (Fig. J).
3. Ruotare la testa del decespugliatore in senso orario per rimuoverla (Fig. J).
4. Rimuovere l'accessorio per cuffia allentando le tre viti con rondella (Fig. K3).

NOTA: Per evitare il rischio di lesioni, indossare dei guanti prima di effettuare qualsiasi operazione sulla lama a 3 denti.

5. Posizionare la flangia interna e la copertura della flangia (Fig. L1).
6. Installare la lama sull'albero motore, assicurandosi che la superficie della lama sia a filo con la superficie della sporgenza della flangia interna. Posizionare la flangia esterna e il dado (Fig. L2). Pre-serrare il dado a mano in senso ANTIORARIO.

7. Posizionare la scatola degli ingranaggi contro una superficie solida che lo supporti. Afferrare l'asta del decespugliatore con una mano, e con l'altra mano afferrare la chiave multifunzione e serrare il dado nella direzione contraria rispetto alla freccia riportata sulla fiangia esterna (Fig. L3).

FUNZIONAMENTO

IT

⚠ AVVERTENZA! La familiarità con questo apparecchio non deve rendere l'operatore disattento. Anche un solo momento di disattenzione comporta il rischio di lesioni gravi.

⚠ AVVERTENZA! Indossare sempre protezioni per gli occhi e protezioni per le orecchie. Il mancato rispetto di questa istruzione comporta il rischio di oggetti proiettati verso gli occhi dell'operatore e altre lesioni gravi.

⚠ AVVERTENZA! Non usare accessori non raccomandati dal costruttore dell'apparecchio. L'uso di accessori non raccomandati comporta il rischio di lesioni gravi.

⚠ AVVERTENZA! Per evitare lesioni gravi, scollegare il connettore della batteria dalla presa prima delle operazioni di pulizia e riparazione e prima di sostituire gli accessori o rimuovere del materiale dall'apparecchio.

Questo prodotto può essere usato per gli scopi elencati di seguito.

Rifinitura: per rimuovere erba e erbacce contro muri, steccati, alberi e bordi.

Taglio: per tagliare erba difficile da raggiungere con un normale tosaerba.

NOTA: usare l'apparecchio esclusivamente per gli scopi previsti. Altri utilizzi, ad esempio come tagliasiepi, sono da considerarsi impropri.

COLLEGAMENTO/SCOLLEGAMENTO DEL CAVO DELLA BATTERIA

Usare esclusivamente con i gruppi batteria e i caricabatteria elencati in fig. A2.

Ricaricare completamente la batteria prima del primo utilizzo.

Collegamento del cavo della batteria (Fig. M)

Allineare il simbolo ▲ sulla spina con il simbolo ▲ sull'apparecchio. Inserire la presa nell'apparecchio finché il sigillo verde non scompare completamente nella presa.

Scollegamento

Rilasciare il cavo della batteria dalla scanalatura di fissaggio ed estrarre la spina dall'apparecchio.

AVVIO/ARRESTO DEL DECESPUGLIATORE (Fig. N)

Avvio

Portare la leva di sbloccaggio in posizione "ON", spingere la linguetta di bloccaggio in avanti, quindi premere l'interruttore a leva. L'interruttore a leva integra un regolatore di velocità: maggiore è la pressione sulla leva, maggiore è la velocità dell'apparecchio.

N-1	Leva di sbloccaggio	N-3	Interruttore a grilletto
N-2	Linguetta di bloccaggio		

Arresto

Rilasciare l'interruttore e riportare il pulsante di sbloccaggio in posizione "OFF".

⚠ AVVERTENZA! Scollegare sempre il connettore della batteria dalla presa durante le pause e al termine del lavoro.

UTILIZZO DEL DECESPUGLIATORE

⚠ AVVERTENZA! Per evitare lesioni gravi, indossare sempre occhiali di protezione o di sicurezza durante tutto l'uso dell'apparecchio. Indossare una maschera facciale o antipolvere in ambienti polverosi.

Sgombrare l'area da tagliare prima di ogni utilizzo. Rimuovere oggetti come pietre, vetri rotti, chiodi, cavi o corde perché potrebbero venire lanciati o impigliarsi nell'accessorio di taglio. Tenere lontani dall'area di lavoro bambini, altre persone e animali. Tenere eventuali bambini, altre persone e animali ad almeno 15 m di distanza; permane tuttavia il rischio di lesioni alle altre persone dovute al lancio di oggetti. Si raccomanda di far indossare dei dispositivi di protezione per gli occhi a eventuali persone presenti. Se un'altra persona si avvicina, arrestare immediatamente il motore e l'accessorio di taglio.

Prima di ogni utilizzo, verificare l'assenza di componenti danneggiati/usurati.

Ispezionare la testa di taglio, la protezione parasassi e l'impugnatura ad anello e sostituire i componenti incrinati, deformati, piegati o danneggiati in qualsiasi modo.

La lama taglia-filo sul bordo della protezione parasassi può smussarsi col tempo. Si consiglia di affilarla periodicamente con una lima o di sostituirla con una lama nuova.

Pulire il decespugliatore dopo ogni utilizzo.

⚠ ATTENZIONE! L'ostruzione delle aperture di ventilazione impedirà il flusso d'aria all'interno del vano motore, causando il surriscaldamento o il danneggiamento del motore.

- Usare esclusivamente sapone neutro e un panno umido per pulire l'apparecchio. Evitare la penetrazione di liquidi all'interno dell'apparecchio. Non immergere mai alcuna parte dell'apparecchio in liquidi.
- Mantenere le aperture di ventilazione sul vano motore prive di detriti.

⚠ AVVERTENZA! Non usare mai acqua per pulire l'apparecchio. Evitare l'uso di solventi durante la pulizia delle parti in plastica. La maggior parte dei materiali plastici può essere danneggiata da diversi tipi di solventi in commercio. Usare un panno pulito per rimuovere sporczia, polvere, olio, grasso, ecc.

REGOLAZIONE DELLA LUNGHEZZA DEL FILO DI TAGLIO

La testa di taglio permette all'operatore di allungare il filo di taglio senza arrestare il motore. Quando il filo diventa sfilacciato o usurato, allungarlo premendo leggermente il pulsante di rilascio del filo sul terreno mentre il decespugliatore è in funzione (Fig. V).

⚠ ATTENZIONE! Allungare il filo diventa più difficile mano a mano che il filo di taglio si accorcia.

⚠ AVVERTENZA! Non rimuovere o alterare la lama del filo di taglio. Una lunghezza eccessiva del filo causerà il surriscaldamento del motore e il conseguente rischio di lesioni gravi.

Sostituzione del filo

NOTA: utilizzare esclusivamente il filo di taglio in nylon raccomandato con diametro non superiore a 3,0 mm. L'uso di fili diversi da quello specificato comporta il rischio di surriscaldamento o danneggiamento del decespugliatore.

⚠ AVVERTENZA! Non usare mai cavi, fili rinforzati in metallo, corda, ecc. perché possono rompersi e diventare proiettili pericolosi.

1. Scollegare il cavo di alimentazione dal decespugliatore.
2. Rimuovere il filo di taglio rimanente, se necessario.

3. Tagliare 8 m di filo e inserire il filo nel foro di montaggio all'interno dell'occhiello (fig. O1). Spingere e tirare il filo dall'altro lato finché da entrambi i lati della bobina non fuoriescono quantità uguali.
4. Premere e contemporaneamente ruotare il gruppo coperchio inferiore in direzione della freccia per avvolgere il filo sulla bobina, finché da ogni lato non rimangono circa 14 cm di filo (Fig. O2).
5. Spingere il gruppo coperchio inferiore verso il basso e contemporaneamente tirare i fili per farli avanzare manualmente e controllare il corretto assemblaggio della testa di taglio.

Se il filo di taglio si rompe a livello dell'uscita del filo o se il filo di taglio non viene rilasciato alla pressione della testa di taglio, seguire i passaggi descritti di seguito.

1. Premere le linguette di rilascio sul coperchio superiore e rimuovere il gruppo coperchio inferiore estraendolo in linea retta (Fig. K1 e K2).
2. Rimuovere il filo di taglio dalla bobina.
3. Tenendo con una mano il gruppo coperchio inferiore, afferrare con l'altra mano il gruppo coperchio inferiore e allineare le linguette sul coperchio superiore con i fori nella base del gruppo coperchio inferiore (Fig. O3); usare il palmo della mano per premere e il gruppo coperchio inferiore finché le linguette non si incastrano nel coperchio superiore.
4. Seguire le istruzioni alla sezione "SOSTITUZIONE DEL FILO" per ricaricare il filo di taglio.

MANUTENZIONE

⚠ AVVERTENZA! Per la riparazione dell'apparecchio, usare esclusivamente parti di ricambio identiche. Ispezionare l'apparecchio ed effettuare la manutenzione regolarmente. Per garantire sicurezza e affidabilità, tutte le riparazioni e sostituzioni devono essere eseguite da un tecnico qualificato.

⚠ AVVERTENZA! Gli apparecchi a batteria non hanno bisogno di essere collegati a un impianto elettrico; pertanto sono sempre in condizioni operative. Per evitare lesioni gravi, prestare particolare attenzione durante le operazioni di manutenzione o riparazione e la sostituzione dell'accessorio di taglio o di altri accessori.

⚠ AVVERTENZA! Per evitare lesioni gravi, scollegare il connettore della batteria dalla presa prima delle operazioni di pulizia e riparazione e prima di sostituire gli accessori o rimuovere del materiale dall'apparecchio.

LUBRIFICAZIONE DELLA SCATOLA DEGLI INGRANAGGI

IT

Per un funzionamento ottimale e una maggiore durata di vita, lubrificare la scatola degli ingranaggi con del grasso speciale (4-5 g ogni volta) ogni 50 ore di utilizzo.

Il grasso deve rispettare i requisiti elencati di seguito.

1. Grado di consistenza conforme a DIN51818: NLGI-1.
2. Grasso a base di estere.
3. Bassa temperatura di avviamento, EP, abbassamento meccanico, resistenza all'abrasione e proprietà ossidative stabili.
4. Temperatura operativa compresa tra -40 e 180°C. Rimuovere il connettore della batteria e la vite sigillante. Lubrificare la scatola degli ingranaggi attraverso l'apposito foro.

⚠ AVVERTENZA! Non lubrificare il decespugliatore mentre è in funzione o collegato alla batteria.

PULIZIA DELL'APPARECCHIO

- Pulire l'apparecchio usando un panno inumidito con del detergente neutro.
- Non usare detergenti aggressivi sulle superfici esterne in plastica o sull'impugnatura perché possono essere danneggiate da alcuni oli aromatici, come pino e limone, e da solventi come il cherosene. L'umidità comporta il rischio di scossa elettrica. Rimuovere eventuali segni di umidità con un panno asciutto e morbido.

CONSERVAZIONE DELL'APPARECCHIO

- Scollegare il connettore della batteria dalla presa quando il decespugliatore non è in uso.
- Pulire accuratamente l'apparecchio prima di riportarlo.
- Conservare l'apparecchio in un luogo asciutto, ben ventilato, elevato o chiuso a chiave, e fuori dalla portata dei bambini. Non conservare l'apparecchio sopra o in prossimità di fertilizzanti, benzina o altre sostanze chimiche.
- Rivestire la lama con l'apposito copri-lama durante il trasporto e lo stoccaggio.

Protezione dell'ambiente



Non smaltire apparecchi elettrici, caricabatteria e batterie insieme ai rifiuti domestici. Portare il prodotto presso un centro di riciclaggio autorizzato affinché venga raccolto separatamente. Gli apparecchi elettrici devono essere portati presso un centro di riciclaggio ecocompatibile.

RISOLUZIONE DEI PROBLEMI

PROBLEMA	CAUSA	SOLUZIONE
L'apparecchio non si avvia.	<ul style="list-style-type: none"> ■ Il gruppo batteria non è installato sul decespugliatore. ■ Il contatto elettrico tra il decespugliatore e la batteria è mancante. ■ Il gruppo batteria è scarico. 	<ul style="list-style-type: none"> ■ Installare il gruppo batteria sul decespugliatore. ■ Ricaricare il gruppo batteria con il caricabatteria specificato. ■ Ricaricare il gruppo batteria.
L'erba si avvolge intorno alla testa di taglio e al vano motore.	<ul style="list-style-type: none"> ■ La protezione parasassi non è installata sul decespugliatore, causando l'eccessiva lunghezza del filo di taglio e il sovraccarico del motore. ■ È in uso un filo di taglio troppo spesso. ■ L'albero di comando o la testa di taglio sono bloccati dall'erba. ■ Il motore è sovraccarico. ■ Il gruppo batteria o il decespugliatore sono troppo caldi. ■ Il connettore del gruppo batteria è scollegato. ■ Il gruppo batteria è scarico. 	<ul style="list-style-type: none"> ■ Scollegare il connettore del gruppo batteria dalla presa e installare la protezione parasassi sul decespugliatore. ■ Utilizzare filo di taglio in nylon raccomandato con diametro non superiore a 3,0 mm. ■ Arrestare il decespugliatore, rimuovere la batteria e rimuovere l'erba dall'albero di comando e dalla testa di taglio. ■ Il motore si riavvierà alla rimozione del carico. Per l'uso continuo, diminuire il carico sull'apparecchio. ■ Attendere che la temperatura del gruppo batteria e del decespugliatore scenda al di sotto di 67°C. ■ Ricollegare il connettore. ■ Ricaricare il gruppo batteria.

PROBLEMA	CAUSA	SOLUZIONE
The cutting line can't be released.	<ul style="list-style-type: none"> ■ L'albero di comando o la testa di taglio sono bloccati dall'erba. ■ La testa di taglio non contiene abbastanza filo. ■ La testa di taglio è sporca. ■ Il filo è impigliato nella testa di taglio. ■ Il filo è troppo corto. 	<ul style="list-style-type: none"> ■ Arrestare il decespugliatore, rimuovere la batteria e rimuovere l'erba dall'albero di comando e dalla testa di taglio. ■ Rimuovere la batteria e sostituire il filo di taglio. Seguire le istruzioni alla sezione SOSTITUZIONE DEL FILO in questo manuale. ■ Rimuovere la batteria e pulire il gruppo copertura inferiore della bobina, la bobina e la copertura superiore. ■ Rimuovere la batteria, rimuovere il filo dalla bobina e riavvolgerlo. Seguire le istruzioni alla sezione SOSTITUZIONE DEL FILO in questo manuale. ■ Rimuovere la batteria, quindi tirare i fili e simultaneamente premere e rilasciare la testa di taglio.
Grass wraps around trimmer head and motor housing	<ul style="list-style-type: none"> ■ Tagliare l'erba a livello del terreno. 	<ul style="list-style-type: none"> ■ Tagliare l'erba in più passaggi, dalla cima al livello del terreno.

GARANZIA

CONDIZIONI DELLA GARANZIA EGO

Visitare il sito web egopowerplus.com per consultare le condizioni complete della garanzia EGO.

LEES ALLE INSTRUCTIES!



LEES DE GEBRUIKSAANWIJZING

⚠ WAARSCHUWING: Restrisico! Personen met elektronische apparaten, zoals pacemakers, moeten eerst hun arts(en) raadplegen voordat ze dit product gebruiken. De werking van een elektrisch apparaat in de nabijheid van een pacemaker kan een storing of defect van de pacemaker veroorzaken.



Veiligheidswaarschuwing



Draag oogbescherming - Draag altijd een veiligheidsbril met zijschermen en een gelaatsscherm als u dit product gebruikt.



Draag oorbescherming - Draag altijd gehoorbescherming wanneer u dit product gebruikt.



Draag hoofdbescherming - Draag een goedgekeurde veiligheidshelm om uw hoofd te beschermen.



Installeer geen ronde snijmesses.



Breedte - De max. snijbreedte van de grastrimmer



Zorg dat andere personen en huisdieren zich op minstens 15m van de trimmer bevinden wanneer deze in gebruik is.



Gewaarborgd geluidsvermogensniveau. Geluidsemisatie voor de omgeving in overeenstemming met de richtlijnen van de Europese Unie.



Gooi elektrisch afval niet via het huishoudelijk afval weg. Breng het naar een geautoriseerd recyclingbedrijf.

n_0

Snelheid zonder belasting-Draaisnelheid, zonder belasting



Gelijkstroom

VEILIGHEIDSSYMBOLEN

⚠ WAARSCHUWING: De werking van het apparaat kan leiden tot het rondslingeren van (vreemde) objecten die in uw ogen kunnen terechtkomen. Dit kan leiden tot ernstig oogletsel. Wanneer u elektrische apparaten gebruikt, zorg er dan voor dat u altijd een veiligheidsbril (met zijschermen) of een gelaatsscherm draagt. We bevelen aan om een gelaatsscherm over uw bril of standaard veiligheidsbril met zijschermen te gebruiken.



De gebruiker moet de gebruiksaanwijzing lezen om het risico op letsel te beperken.



Draag veiligheidsschoenen - Draag slipvrije veiligheidsschoenen als u dit apparaat gebruikt.



Draag veiligheidshandschoenen - Bescherm uw handen met handschoenen bij de omgang met de messen of de mesbeschermer.



Houd rekening met de druk van het mes - Waarschuw de bediener voor de gevaren van de stuwkracht van het mes.



Diameter - De diameter van de nylon snijdraad



Rondvliegende voorwerpen kunnen terugkaatsen wat tot persoonlijk letsel en materiële schade kan leiden. Zorg dat andere personen en huisdieren uit de buurt blijven van de bosmaaier wanneer deze in gebruik is.



Gebruik het apparaat niet in de regen en laat het tevens niet buiten achter als het regent.



Dit product is in overeenstemming met de EG-richtlijnen.

V Spanning

.../min Per minuut

kg Kilogram

SPECIFICATIES

Spanning	56 V ---	
Snelheid zonder belasting	Tot 5800/min	
Snijmechanisme	Aantikkop	
Type snijdraad	3,0mm nylon gedraaide draad	
Snijbreedte	38 cm	
Aanbevolen bedrijfstemperatuur	0°C-40°C	
Aanbevolen opslagtemperatuur	-20°C-70°C	
Optimale laadtemperatuur	5°C-40°C	
Gewicht (zonder accupack)	5,8 kg	
Gemeten geluidsvermogensniveau L_{WA}	94,2 dB(A) K=1,8 dB(A)	
Geluidsdruk niveau aan het oor van de bediener L_{PA}	74,15 dB(A) K=2,5 dB(A)	
Gegarandeerd geluidsvermogensniveau L_{WA} (gemeten volgens 2000/14/EG)	96 dB(A)	
Inschatting van de vibratie a_h :	Voorste handvat	3,2 m/s ² K=1,5 m/s ²
	Achterste greep	2,3 m/s ² K=1,5 m/s ²

- De opgegeven totale vibratiewaarde is gemeten volgens de standaard testmethode en kan worden gebruikt om het apparaat met een ander apparaat te vergelijken;
- De opgegeven totale vibratiewaarde kan ook worden gebruikt in een voorafgaande beoordeling op blootstelling.

OPMERKING: De vibratie-afgifte tijdens het werkelijk gebruik van het elektrisch gereedschap kan verschillen van de opgegeven totale waarde; Om de bediener te beschermen dient de gebruiker tijdens het gebruik handschoenen en gehoorbescherming te dragen.

INHOUD VAN DE VERPAKKING (Afb. A1)

BESCHRIJVING

KEN UW TRIMMER (afb. A1)

- Aansluiting

- Ontgrendelingshendel
- Grensring
- Lus greep
- Snijdraad
- Beschermkap
- Schacht
- Schakelaar
- Achterste greep
- Snijkop (aantikkop)
- Ontgrendelingsknop
- Mes voor het snijden van de draad
- Veiligheidsgreep (alleen voor de bosmaaierkop)
- Vergrendelstang voor veiligheidsgreep (alleen voor de bosmaaierkop)
- Buitenflens (alleen voor de de bosmaaierkop)
- Moer (alleen voor de de bosmaaierkop)
- Schroef
- Binnenzeskantsleutel

MONTAGE

⚠ WAARSCHUWING: Als er onderdelen beschadigd zijn of ontbreken, gebruik dit product niet totdat alle onderdelen vervangen of aanwezig zijn. Dit product gebruiken met beschadigde of ontbrekende onderdelen kan ernstig persoonlijk letsel veroorzaken.

⚠ WAARSCHUWING: Probeer niet om dit product aan te passen of accessoires te maken die niet voor gebruik met deze grastrimmer zijn aanbevolen. Een dergelijke aanpassing of wijziging is misbruik en kan leiden tot gevaar en een ernstig persoonlijk letsel.

⚠ WAARSCHUWING: Om het toevallig starten van het gereedschap, dat ernstig persoonlijk letsel kan veroorzaken te voorkomen, moet u de accuconnector altijd uit de aansluiting halen als u onderdelen monteert.

⚠ WAARSCHUWING: Als het gereedschap is uitgerust van een bosmaaierkop, moet de veiligheidsgreep worden gemonteerd.

HET SCHERM MONTEREN

⚠ WAARSCHUWING: Draag altijd handschoenen wanneer u de bescherming monteert of vervangt. Let op voor het mes op de bescherming zodat u geen letsel oploopt.

⚠ WAARSCHUWING: Gebruik het gereedschap nooit zonder juist gemonteerde bescherming. De bescherming moet zich altijd op het gereedschap bevinden om de gebruiker te beschermen! Als de bescherming is vastgemaakt, mag u nooit pogen de bescherming te verwijderen of aan te passen. Als u een vervanging nodig heeft, dient dit te worden uitgevoerd door een gekwalificeerde onderhoudsmonteur!

Maak de twee schroeven los en verwijder ze van de beschermkap (afb. B), breng de bevestigingsgaten op één lijn met de montagegaten en maak vervolgens de beschermkap vast met de twee schroeven, samen met de onderlegplaatjes (afb. C).

⚠ WAARSCHUWING: Zorg ervoor dat het scherm volgens afb. B & C is bevestigd; een andere bevestiging kan groot gevaar veroorzaken!

DE LUS GREEP MONTEREN EN AANPASSEN

1. Stop de motor en haal de accuconnector uit de aansluiting, mocht deze geïnstalleerd zijn.
2. Maak de vleugelmoer los om de aanpasbare lus greep (afb. D) te verwijderen.

OPMERKING: Monteer de veiligheidsgreep met de twee schroeven aan de lus greep als het gereedschap is voorzien van een bosmaaierkop.

Afb. D beschrijving van de onderdelen zie beneden:

D-1	Lus greep	D-4	Veiligheidsgreep (alleen voor de bosmaaierkop)
D-2	Klemblok	D-5	Vergrendelingsstang
D-3	Vleugelmoer		

OPMERKING: Er zijn twee soorten vergrendelingsstangen, de kortere is voor de trimmerkop. De langere is voor de bosmaaierkop. Wees voorzichtig bij het kiezen van de juiste vergrendelingsstang bij gebruik van het gereedschap.

3. Druk de lus greep op de schacht aan de voorkant van de grensring. Plaats het nooit tussen de grensring en het gedeelte bij de achterste handgreep (afb. E).

OPMERKING: Stel de lus greep in tussen de grensring en het waarschuwingslabel wanneer het gereedschap is uitgerust met een bosmaaierkop (afb. F).

4. Steek het klemblok in de handvatsleuf (afb. G).

5. Bevestig de vergrendelingsstang en maak hem alvast vast met de vleugelmoer. Zorg ervoor dat de lus greep naar boven is gericht zodat het in richting van het achterste handvat wijst (afb. H).
6. Stel de lus greep in tussen de grensring en het label tot u de comfortabele positie vindt wanneer u de grastrimmer gebruikt. .
7. Vergrendel de hendel op de vergrendelingsstang (afb. I).

⚠ WAARSCHUWING: Gebruik het gereedschap nooit zonder juist gemonteerde lus greep.

⚠ WAARSCHUWING: Bevestig de lus greep alleen tussen de grensring en het label.

VERVANGEN VAN DE MAAIKOP DOOR HET 3-TANDS MES

1. Verwijder de stroomstekker van de grastrimmer.
2. Draai het mes om de gleuf in de flens op één lijn te brengen met het vergrendelingsgat voor stang in de tandwielkast en stop vervolgens een stabilisator in het gat (afb. J).
3. Draai de trimmerkop met de klok mee om hem te verwijderen (afb. J).
4. Verwijder het beschermkap-accessoire door de drie schroeven met sluitringen los te draaien (afb. K3).

OPMERKING: Om tegen letsel te beschermen, dient u handschoenen te dragen alvorens welke actie dan ook uit te voeren aan het 3-tands mes.

5. Breng de binnenflens en de flenskap op de juiste plaats aan (afb. L1).
6. Maak het mes vast op de motoras. Zorg dat het oppervlak van het mes vlak is met het oppervlak van het uitstekend deel van de binnenflens. Maak de buitenflens en de moer vast (afb. L2). Draai de moer MET DE KLOK MEE handvast aan.
7. Position the gear case against a solid surface for support. With one hand hold the brush cutter shaft and the other hand grasp the multi-function wrench to tighten the nut following the directional arrow icon marked on the outer flange (Fig. L3).

BEDIENING

⚠ WAARSCHUWING: Wordt niet achteloos naarmate u het product beter kent. Denk eraan dat een seconde van achteloosheid voldoende is om ernstig letsel te veroorzaken.

⚠ WAARSCHUWING: Draag altijd oogbescherming, samen met gehoorbescherming. Het niet dragen van deze beschermingsuitrusting kan ertoe leiden dat voorwerpen in uw ogen terechtkomen of kan mogelijk ander ernstig letsel veroorzaken.

⚠ WAARSCHUWING: Gebruik geen toebehoren of accessoires die niet door de fabrikant van dit product zijn aanbevolen. Het gebruik van niet aanbevolen toebehoren of accessoires kan leiden tot ernstig persoonlijk letsel.

⚠ WAARSCHUWING: Om ernstig persoonlijk letsel te voorkomen, koppelt u de accuconnector los van de aansluiting alvorens onderhoud, reiniging, het wijzigen van accessoires of het verwijderen van materiaal.

U kunt dit product gebruiken voor onderstaand vermelde doeleinden:

Trimmen: wordt gebruikt voor het verwijderen van gras en onkruid langs muren, hekken, bomen en perken.

Snijden: wordt gebruikt voor het maaien van gras dat moeilijk te bereiken is met een normale grasmaaier.

OPMERKING: Het gereedschap mag alleen voor het voorheen genoemde doeleinde worden gebruikt. Ieder ander gebruik, bijvoorbeeld het trimmen van heggen, is in dit geval misbruik.

DE ACCUKABEL INSTALLEREN/VERWIJDEREN

Gebruik alleen met in afb. A2 vermelde accupacks en opladers.

Voor de eerste ingebruikname volledig opladen.

De accukabel installeren (afb. M)

Lijn ▲ de stekker uit met ▲ de grastrimmer. Stop de stekker in het gereedschap totdat de groene afdichting volledig in de aansluiting is verdwenen.

Verwijderen

Maak de accukabel los van de montagegroef en trek de stekker uit de grastrimmer.

DE GRASTRIMMER STARTEN/STOPPEN (afb. N)

Starten

Duw de ontgrendelingshendel naar stand "ON", duw de sluitlip naar voren en druk op de schakelaar. De schakelaar is een traploze snelheidsregeling. Hoe verder u aan de schakelaar trekt, hoe hoger de snelheid.

N-1	Ontgrendelingshendel	N-3	Trekverschakelaar
N-2	Sluitlip		

Stoppen

Laat de schakelaar los en duw de ontgrendelingsknop opnieuw naar stand "OFF" (uit).

⚠ WAARSCHUWING: Ontkoppel altijd de accuconnector van de aansluiting tijdens pauzes en nadat u klaar bent met de werkzaamheden.

DE GRASTRIMMER GEBRUIKEN

⚠ WAARSCHUWING: Om ernstig persoonlijk letsel te voorkomen, draag altijd een veiligheidsbril wanneer u dit gereedschap gebruikt. Draag een gezichts- of stofmasker in geval van een stoffige omgeving.

Voor gebruik, verwijder alle mogelijke obstakels uit de te maaien zone. Verwijder voorwerpen zoals rotsen, gebroken glas, nagels, draad of koorden, die opgegooid kunnen worden of in het snijelement terecht kunnen komen. Zorg dat er zich geen kinderen, omstanders of huisdieren in de omgeving bevinden. Houd kinderen, omstanders en huisdieren op een afstand van minstens 15m; er is nog altijd risico op het wegslingeren van voorwerpen richting omstanders. Omstanders worden aangespoord om oogbescherming te dragen. Als iemand in de buurt komt, stop de motor en het snijelement onmiddellijk.

Controleer voor elk gebruik op beschadigde/versleten onderdelen

Controleer de aantikop, beschermkap en lus greep en vervang de onderdelen die gebarsten, scheef getrokken, gebogen of beschadigd zijn.

Het mes voor het snijden van de draad op de rand van het scherm kan na verloop van tijd bot worden. Het is aanbevolen om het mes regelmatig met een vijl te slijpen of door een nieuw mes te vervangen.

Maak de trimmer na elk gebruik schoon.

⚠ CAUTION: Belemmeringen in de ventilatieopeningen beletten de aanvoer van lucht in de motorbehuizing. Dit kan oververhitting of schade aan de motor veroorzaken.

- Maak het gereedschap alleen schoon met een vochtige doek en milde zeep. Zorg dat er geen vloeistof het gereedschap binnendringt. Dompel nooit een deel van het gereedschap in een vloeistof.
- Houd de luchtopeningen in de motorbehuizing op elk moment vrij van vuil.

⚠ WAARSCHUWING: Maak uw grastrimmer nooit schoon met water. Maak de kunststof onderdelen niet schoon met oplosmiddelen. De meeste kunststoffen kunnen door verschillende soorten van commercieel beschikbare oplosmiddelen schade oplopen. Gebruik een schone doek voor het verwijderen van vuil, stof, olie, smeer, etc.

DE LENGTE VAN DE SNIJDRAAD AANPASSEN

De maaikop stelt de bediener in staat om meer snijdraad vrij te geven zonder de motor te moeten stoppen. Als de snijdraad uitgerafeld of versleten raakt, kunt u extra draad vrijgeven door de aantikknop tijdens gebruik van de trimmer voorzichtig tegen de grond te tikken (afb. V).

OPMERKING: Het vrijgeven van draad wordt moeilijker als de snijdraad te kort wordt.

⚠ WAARSCHUWING: Verwijder of pas de draadsnijder niet aan. Een te lange snijdraad zal de motor oververhitten wat tot ernstig persoonlijk letsel kan leiden.

De draad vervangen

OPMERKING: Gebruik altijd de geadviseerde nylon snijdraad met een diameter die niet groter is dan 3,0 mm. Het gebruik van een andere dan aangegeven draad kan ertoe leiden dat de trimmer oververhit of beschadigd raakt.

⚠ WAARSCHUWING: Gebruik nooit metaal versterkte draad, koord of touw, etc. Deze kan afbreken en een gevaarlijk projectiel worden.

1. Verwijder de stroomstekker van de grastrimmer.
2. Verwijder indien nodig de overgebleven snijdraad.
3. Snij 8m af van de snijdraad en steek de draad in het bevestigingsgat in het oogje (afb. O1). Druk en trek de draad van de andere kant totdat aan beide zijden van de spoel evenveel draad is.
4. Druk, terwijl u de gemonteerde onderste afdekking in de richting van de pijl draait, om de draad op de spoel te draaien totdat ongeveer 14 cm van de draad aan iedere kant uitsteekt (afb. O2).
5. Druk de gemonteerde onderste afdekking naar beneden terwijl u met de hand aan de draden trekt om de draden naar voren te halen en om te kijken of de snijkop goed zit.

Als de draad aan de uitgang breekt of als de draad niet verder loopt of vast zit in de trimmerkop, dient u de volgende stappen uit te voeren:

1. Druk op de ontgrendelingsknoppen op de bovenste afdekking en verwijder de gemonteerde onderste afdekking door deze recht eruit te trekken (afb. K1 & K2).
2. Verwijder de snijdraad van de spoel.
3. Terwijl u met één hand de gemonteerde onderste afdekking vasthoudt, gebruikt u de andere hand om de gemonteerde onderste afdekking vast te pakken en de lipjes op de bovenste afdekking in een lijn te brengen met de gemonteerde onderste afdekking (afb. O3); Gebruik uw handpalm om de gemonteerde onderste afdekking in te drukken totdat de lipjes in de bovenste afdekking grijpen.
4. Volg de instructies in "DE DRAAD VERVANGEN" om een nieuwe snijdraad te plaatsen.

ONDERHOUD

⚠ WAARSCHUWING: Bij reparatie, gebruik uitsluitend identieke reserve-onderdelen. Controleer en onderhoud het gereedschap regelmatig. Laat alle reparaties uitvoeren door een vakbekwame reparateur om een continue veiligheid en betrouwbaarheid te waarborgen.

⚠ WAARSCHUWING: Accugereedschap moet niet op een stopcontact worden aangesloten en is daarom altijd gereed voor gebruik. Om ernstig persoonlijk letsel te voorkomen, neem extra voorzorgsmaatregelen wanneer u het snijelement of andere accessoires onderhoudt, reinigt of wijzigt.

⚠ WAARSCHUWING: Om ernstig persoonlijk letsel te voorkomen, koppelt u de accuconnector los van de aansluiting alvorens onderhoud, reiniging, het wijzigen van add-on accessoires of het verwijderen van materiaal.

DE KETTINGKAST SMEREN

Voor het beste resultaat en een lange levensduur dient u de kettingkast alle 50 gebruiksuren met speciaal vet te smeren (4 à 5 g per keer).

Het speciale vet dient aan de volgende eisen te voldoen.

1. Behorende tot DIN51818: NLGI-1 graad van kegelpenetratie.
2. Op esters gebaseerd vet.
3. Uitstekende start bij lage temperaturen, EP, mechanisch scheren, slijtweerstand en oxidatieve stabiliteitseigenschappen.

4. Gebruikstemperatuur moet tussen -40 en ~180°C liggen. Verwijder de accustekker en de afdichtschroef. Smeer de kettingkast door het oliegat.

⚠ WAARSCHUWING: Niet smeren als de bosmaaier nog is aangesloten op de accu of nog is ingeschakeld.

HET APPARAAT SCHOONMAKEN

- Maak het apparaat schoon met een vochtige doek en mild schoonmaakmiddel.
- Maak de kunststof behuizing of handgreep niet schoon met een agressief schoonmaakmiddel. Deze kunnen door bepaalde aromatische oliën, zoals pijnboom en citroen, en oplosmiddelen, zoals kerosine, worden beschadigd. Vocht kan risico op elektrische schokken met zich meebrengen. Veeg eventueel vocht weg met een zachte en droge doek.

HET APPARAAT OPBERGEN

- Koppel de accuconnector los van de aansluiting van de grastrimmer als u deze niet in gebruikt.
- Maak het gereedschap grondig schoon voordat u het opbergt.
- Berg het gereedschap op in een droge, goed geventileerde en afsluitbare ruimte of op een hoge hoogte, buiten het bereik van kinderen. Berg het apparaat niet op in de buurt van meststoffen, benzine of andere chemicaliën.
- Gebruik een transportafdekking voor de metalen messen tijdens transport en opslag.

Het milieu beschermen



Gooi geen elektrische apparatuur, gebruikte batterijen en laders weg via het huishoudelijk afval! Geef dit product af bij een geautoriseerd recyclingbedrijf en zorg dat het apart kan worden ingezameld. Elektrisch gereedschap moet worden afgegeven voor een milieuvriendelijke recycling.

PROBLEEMOPLOSSING

PROBLEEM	OORZAAK	OPLOSSING
Start niet	<ul style="list-style-type: none"> ■ Het accupack is niet met de grastrimmer verbonden. ■ Er is geen elektrisch contact tussen de grastrimmer en accu. ■ Het accupack is uitgeput. 	<ul style="list-style-type: none"> ■ Verbind het accupack met de grastrimmer. ■ Herplaats het accupack met de aangegeven oplader. ■ Laad het accupack op.
Gras wordt om de snijkop en motorbehuizing gewikkeld	<ul style="list-style-type: none"> ■ De bescherming is niet op de grastrimmer gemonteerd waardoor de snijdraad te lang is en de motor oververhit raakt. ■ Er wordt zware snijdraad gebruikt. ■ Er is gras om de motoras of snijkop gewikkeld. ■ De motor is overbelast. ■ Het accupack of de grastrimmer is te heet. ■ De connector van het accupack is niet aangesloten op het gereedschap. ■ Het accupack is leeg. 	<ul style="list-style-type: none"> ■ Verwijder de accuconnector van de aansluiting en bevestig de bescherming op de trimmer. ■ Gebruik de geadviseerde nylon snijdraad met een diameter van niet meer dan 3,0 mm. ■ Stop de grastrimmer, verwijder de accu en verwijder het gras van de as en snijkop. ■ Het gereedschap herstelt weer zodra de belasting is verdwenen. Voor continu gebruik dient u het vermogen van het gereedschap te verlagen. ■ Laat het accupack of de trimmer afkoelen totdat de temperatuur lager dan 67°C is. ■ Sluit de stekker opnieuw aan. ■ Laad het accupack op.
The cutting line can't be released.	<ul style="list-style-type: none"> ■ Er is gras om de motoras of trimmerkop gewikkeld. ■ Er bevindt zich onvoldoende draad in de trimmerkop. ■ De snijkop is vuil. ■ De draad is verstrikt geraakt in de trimmerkop ■ De draad is te kort. 	<ul style="list-style-type: none"> ■ Stop de grastrimmer, verwijder de accu en verwijder het gras van de motoras en snijkop. ■ Verwijder de accu en vervang de snijdraad volgens de sectie "DE DRAAD VERVANGEN" in deze handleiding. ■ Verwijder de accu en maak de onderste afdekking, spoel en bovenste afdekking schoon. ■ Verwijder de accu en verwijder de snijdraad van de spoel en wikkel op, volgens de sectie "DE DRAAD VERVANGEN" in deze handleiding. ■ Verwijder de accu en trek aan de draden terwijl de aantikknop afwisselend wordt ingedruwd en losgelaten.

PROBLEEM	OORZAAK	OPLOSSING
Grass wraps around trimmer head and motor housing	<ul style="list-style-type: none">■ Lang gras wordt op grondniveau gemaaid.	<ul style="list-style-type: none">■ Snijd het onkruid in verschillende secties van boven naar beneden af.

GARANTIE

EGO GARANTIEVOORWAARDEN

NL

Bezoek onze website egopowerplus.com voor alle voorwaarden van de EGO garantie.

LÆS ALLE ANVISNINGER!



LÆS BRUGERVEJLEDNINGEN

⚠ ADVARSEL: Resterende risiko! Folk med elektroniske anordninger, såsom pacemakere, bør spørge deres læge(r) til råds, før de bruger dette produkt. Betjening af elektrisk udstyr i umiddelbar nærhed af et hjerte pacemaker kan forårsage forstyrrelser eller svigt af pacemakere.



Sikkerhed Alert

Bær beskyttelsesbriller - bær altid beskyttelsesbriller eller sikkerhedsbriller med side skjolde og en fuld ansigtsskærm, når du betjener dette produkt.



Brug høreværn - brug altid høreværn, når dette produkt bruges.



Brug hovedbeskyttelse - bær en godkendt sikkerhedshjelm til at beskytte dit hoved.



Montér ikke runde skæreknive



Bredde - græstrimmerens maks. klippebredde



Sørg for, at andre mennesker og kæledyr står mindst 15 m væk fra græstrimmeren, når den er i brug.



Garanteret lydniveau. Støjemission til miljøet opfylder EF-direktivet.



Elektriske affaldsprodukter må ikke bortskaffes sammen med husholdningsaffald. Bring det til en godkendt genbrugsplads.

n_0

Hastighed uden belastning-
Rotationshastighed, uden belastning



Direct Current

SIKKERHEDSSYMBOLER

⚠ ADVARSEL: Når elværktøjer bruges, er der altid en risiko for at genstande slynges ind i øjnene, som kan føre til alvorlige øjenskader. Inden du begynder elværktøj drift, altid bære beskyttelsesbriller eller sikkerhedsbriller med side skjolde og en fuld ansigtsmaske når det er nødvendigt. Vi anbefaler en Wide Vision Safety Maske til brug over briller eller standard sikkerhedsbriller med sideskærme.



For at mindske risikoen for skader skal brugeren læse brugsanvisningen.



Benyt sikkerhedsfodtøj - benyt skridsikkert sikkerhedsfodtøj, når du bruger dette udstyr.



Brug beskytteshandsker - beskyt dine hænder med handsker, når du håndterer kniven eller skærmen til kniven.



Pas på tilbageslag fra savklingen - advar brugeren om faren for ryk i kniven.



Diameter - diameteren af nylontrimmersnoren



Genstande, der udslynges kan rikochettere og resultere i personskade eller skade på ejendom. Sørg for, at andre personer og kæledyr er mindst 15 m væk fra buskrydderen, når den er i brug.



Må ikke bruges i regn og må ikke efterlades udenfor i regnvej.



Dette produkt er i overensstemmelse med gældende EU-direktiver.

V Spænding

.../min Per minut

kg Kg

SPECIFIKATIONER

Spænding	56 V ---	
Hastighed ubelastet	Op til 5800 o./min	
Trimmemekanisme	Fjederhoved	
Type trimmersnor	3,0mm snoet nylontråd	
Trimmebredde	38 cm	
Anbefalet driftstemperatur	0°C-40°C	
Anbefalet opbevaringstemperatur	-20°C-70°C	
Optimal opladningstemperatur	5°C-40°C	
Vægt (uden batteri)	5,8 kg	
Målt lydeffektniveau L_{WA}	94,2 dB(A) K=1,8 dB(A)	
Lydtryk ved brugerens øre L_{PA}	74,15 dB(A) K=2,5 dB(A)	
Garanteret lydeffektniveau L_{WA} (målt i henhold til direktiv 2000/14/EF)	96 dB(A)	
Vibrationsværdi a_{hc}	Forreste hjælpehåndtag	3,2 m/s ² K=1,5 m/s ²
	Bagerste håndtag	2,3 m/s ² K=1,5 m/s ²

- Den samlede værdi af angivne vibrationer er målt i overensstemmelse med en standardiseret prøvningsmetode og kan anvendes til at sammenligne et værktøj med et andet
- Den samlede angivne værdi for vibrationer kan også anvendes ved en foreløbig vurdering af eksponeringen.

BEMÆRK: Udsendelsen af vibrationer ved faktisk brug af elværktøjet kan afvige fra den angivne værdi, der hvor værktøjet anvendes. For at beskytte operatøren, bør vedkommende bære handsker og høreværn under de faktiske brugsbetingelser.

PAKKELISTE (Fig. A1)

BESKRIVELSE

KEND DIN GRÆSTRIMMER (fig. A1)

- Stik
- Låsegreb
- Spærring
- Bøjlehåndtag
- Trimmersnor
- Skærmmontering
- Skaft
- Startknap
- Bagerste håndtag
- Trimmerhoved (fjederhoved)
- Udløsertap
- Kniv til afskæring af snor
- Stang til sikkerhedsafskærmning (kun ved brug af buskrydderhovedet)
- Låsepal til stang til sikkerhedsafskærmning (kun ved brug af buskrydderhovedet)
- Ydre flange (kun ved brug af buskrydderhovedet)
- Møtrik (kun ved brug af buskrydderhovedet)
- Skruer
- Unbrakonøgle

MONTERING

⚠ ADVARSEL: Hvis der er dele, der er beskadigede eller mangler, anvendes apparatet ikke, før delene er udskiftet. Brug af dette produkt med beskadigede eller manglende dele kan medføre alvorlig personskaade.

⚠ ADVARSEL: Forsøg ikke at ændre dette produkt eller fremstille tilbehør, der ikke anbefales til brug med denne græstrimmer. Enhver sådan ændring eller modifikation er misbrug og kan resultere i en farlig situation og føre til eventuel alvorlig personskaade.

⚠ ADVARSEL: For at forebygge utilsigtet start, der kunne forårsage alvorlig personskaade, skal man altid tage batteriets stik ud af stikdåsen, når der monteres dele.

⚠ ADVARSEL: Når værktøjet er udstyret med buskrydderhoved, skal stangen til sikkerhedsafskærmning monteres.

PÅSÆTNING AF KAPPEN

⚠ ADVARSEL: Brug altid handsker ved montering eller udskiftning af kappen. Vær forsigtig med kniven på kappen, og beskyt din hånd mod at blive skåret.

⚠ ADVARSEL: Brug aldrig værktøjet uden kappen solidt på plads. Kappen skal altid være på værktøjet for at beskytte brugeren! Når kappen er monteret, så forsøg aldrig at fjerne eller tilpasse den; hvis der er behov for udskiftning, skal det gøres af en kvalificeret servicetekniker!

Løsn, og fjern de to skruer på kappen (fig. B), flugt kappens monteringshuller med enhedens huller; sæt derefter kappen fast på skaftet med de to skruer sammen med to fjederskiver (fig. C).

⚠ ADVARSEL: Sørg for, at kappen sidder som på fig. B og C. Hvis monteringen gøres omvendt kan det forårsage stor fare!

MONTERING OG JUSTERING AF BØJLEHÅNDTAGET

1. Stop motoren, og og tag stikket til batteriet ud af stikdåsen, hvis det er isat.
2. Løsn vingemøtrikken for at adskille det justerbare forreste bøjlehåndtag (fig. D).

BEMÆRK: Monter stangen til sikkerhedsafskærmning på bøjlehåndtaget med de to skruer, når værktøjet er udstyret med buskrydderhoved.

Beskrivelse af dele i fig. D, se nedenfor:

D-1	Bøjlehåndtag	D-4	Stang til sikkerhedsafskærmning (kun ved brug af buskrydderhovedet)
D-2	Klemmeklods	D-5	Låsepal
D-3	Vingemøtrik		

BEMÆRK: Der er to typer låsepal, den korteste er til trimmerhovedet. Den længste er til buskrydderhovedet. Vær omhyggelig med at vælge den rigtige låsepal ved brug af værktøjet.

3. Bøjlehåndtaget skubbes på skaftet foran spærreringen. Anbring det aldrig i området mellem spærreringen og bagerste håndtag (fig. E).

BEMÆRK: Indstil bøjlehåndtag mellem spærreringen og advarselsmærkat, når værktøjet er udstyret med buskrydderhoved (fig. F).

4. Indsæt klemmeklods i noten i håndtaget (fig. G).
5. Monter låsepalen, og spænd let til med vingemøtrikken. Sørg for at bøjlehåndtaget vender opad og peger mod toppen af det bagerste håndtag (fig. H).
6. Indstil bøjlehåndtaget mellem spærreringen og mærkat, indtil du finder den mest behagelige stilling, når du bruger trimmeren. .
7. Lås grebet på låsepalen (fig. I).

⚠ ADVARSEL: Brug aldrig værktøjet uden bøjlehåndtaget solidt monteret.

⚠ ADVARSEL: Bøjlehåndtaget må kun monteres mellem spærreringen og mærkat.

UDSKIFT TRIMMERHOVEDET MED 3 TANDS-KLINGE

1. Træk stikket ud af kantklipperen.
2. Drej klippehovedet, så rillen i flangen passer med skaft-låsehullet på gearkassen, og sæt en stabilisator i hullet (fig. J). Drej klingen, så rillen i flangen passer med skaft-låsehullet på gearkassen, og sæt en stabilisator i hullet.
3. Drej klippehovedet med uret, for at tage det af (fig. J.)
4. Afrmøntér kappeilbehøret ved at løse de tre skruer med skive (fig. K3).

BEMÆRK: For at beskytte mod personskade skal du bære handsker før al drift med 3 tands-klinge.

5. Sæt den indre flange og flangedækslet på (fig. L1).
6. Monter kniven på motorakslen, så knivfladen flugter med forhøjningen på den indre flange. Sæt den ydre flange og møtrikken på (fig. L2). Forspænd møtrikken med fingrene MOD URET.
7. Placer gearkassen mod en solid overflade til støtte. Med den ene hånd holdes skaftet på buskrydderen, og med den anden hånd holdes den medfølgende multifunktionsværktøjet; stram møtrikken modsat pilens retning markeret på den ydre flange (fig. L3).

BETJENING

⚠ ADVARSEL: Selvom du får kendskab til motorsaven, skal du stadig passe på, når den bruges. Husk på, at det kan føre til alvorlige skader, hvis du ikke er opmærksom i blot et sekund.

⚠ ADVARSEL: Bær altid sikkerhedsbriller samt høreværn. Hvis du ikke gør, kan du få genstande slyngt i øjnene, og der kan også opstå andre alvorlige skader.

⚠ ADVARSEL: Undgå, at bruge dele eller tilbehør, der ikke anbefales af producenten af dette produkt. Hvis der bruges dele eller tilbehør, der ikke anbefales, kan det føre til alvorlige personskader.

⚠ ADVARSEL: For at undgå alvorlig personskade tages batteriets stik ud af stikdåsen før service, rengøring, udskiftning af påmonteringer, eller før der fjernes noget fra apparatet.

DK

Du kan bruge dette produkt til de formål, der er nævnt nedenfor:

Trimning: anvendes til at fjerne græs og ukrudt op mod vægge, hegn, træer og langs kanter.

Klipning: anvendes til at klippe græs, der er svært at nå med en almindelig plæneklipper.

BEMÆRK: Værktøjet skal kun bruges til det formål, det er beregnet til. Enhver anden anvendelse, f.eks. kanttrimning, anses for at være et tilfælde af fejlbrug.

PÅSÆTNING / AFTAGNING BATTERIKABLET

Produktet må kun bruges med batteripakkerne og opladerne, der står på listen i fig. A2.

Fuld opladning før første brug.

Sådan sættes batterikablet på (fig. M)

Flugt ▲ på stikket med ▲ trimmeren. Sæt stikket i maskinen, indtil den grønne forsegling forsvinder helt ind i stikkontakten.

Sådan tages batteripakken af

Løsn batterikablet fra monteringsrillen, og træk stikket ud af græstrimmeren.

START/STOP AF GRÆSTRIMMEREN (fig. N)

Sådan startes der

Skub låsegrebet til position "ON", skub låsetungen fremad, og tryk derefter på afbryderudløseren. Udløseren har trinløs hastighedsjustering. Jo mere du trækker i udløseren, jo højere er maskinens hastighed.

N-1	Låsegreb	N-3	Afbryderudløser
N-2	Låsetunge		

Sådan stoppes maskinen

Slip afbryderudløseren, og tryk låseknappen tilbage til "OFF" (SLUK).

⚠ ADVARSEL: Fjern altid batteriets stik fra stikdåsen under pauser, og når arbejdet er slut.

BRUG AF GRÆSTRIMMEREN

⚠ ADVARSEL: For at undgå alvorlig personskade bæres altid beskyttelsesbriller eller sikkerhedsbriller, når denne enhed betjenes. Brug en ansigtsmaske eller støvmaske, hvor der er støvet.

Ryd området, hvor der skal trimmes, før hver brug. Fjern alle genstande, såsom sten, glasskår, søm, tråd, eller linje, der kan slynges eller blive viklet ind i trimmerdelen. Få børn, tilskuere og kæledyr væk fra området. Hold alle børn, omkringstående og kæledyr mindst 15 m væk. Tilskuere kan stadig være i fare for at blive ramt af genstande, der slynges ud. Omkringstående bør opfordres til at bære øjenbeskyttelse. Hvis nogen nærmer sig, så stop straks motoren og trimmerdelen.

Før hver anvendelse undersøges for skader / slidte dele

Tjek fjederhoved, kappe og bøjlehåndtag, og udskift de dele, der er revnede, skævede, bøjedede eller beskadigede på nogen måde.

Snorkniven på kanten af kappen bliver med tiden sløv. Det anbefales regelmæssigt at slibe den med en fil eller udskifte den med en ny kniv.

Efter hver brug rengøres trimmeren.

⚠ FORSIGTIG: Forhindringer i ventilationsåbningerne forhindrer luften i at komme ind i motorhuset og forårsager overophedning eller beskadigelse af motoren.

- Brug kun mild sæbe og en fugtig klud til at rengøre værktøjet. Lad aldrig væsker komme ind i værktøjet, nedsenk det aldrig i nogen form for væske.
- Hold altid lufthuller i motorhuset fri for snavs og skidt.

⚠ ADVARSEL: Brug aldrig vand til rengøring af din trimmer. Undgå at bruge opløsningsmidler ved rengøring af plastdele. De fleste plastmateriale risikerer at blive ødelagt ved brug af forskellige typer af alment tilgængelige opløsningsmidler. Brug rene klude til at fjerne snavs, støv, olie, fedt osv.

JUSTERING AF TRIMMERSNORENS LÆNGDE

Klippehovedet giver brugeren mulighed for at frigive mere klippestrå, uden at stoppe motoren. Efterhånden som tråden bliver flosset eller slidt, kan man frigive mere tråd, ved at trykke fjederknoppen let mod jorden, mens kantklipperen kører (fig. V).

BEMÆRK: Frigivelse af tråden bliver vanskeligere, hvis tråden bliver kortere.

⚠ ADVARSEL: Du må ikke fjerne eller ændre på kantklipperklinge-samlingen. For lang tråd vil få motoren til at overophede og kan give i alvorlig personskade.

Sådan skiftes tråden

BEMÆRK: Brug altid den anbefalede trimmersnor af nylon med en diameter ikke over 3,0 mm. Brug af snor med anden diameter kan medføre, at græstrimmeren bliver overophedet eller beskadiget.

⚠ ADVARSEL: Brug aldrig metalforstærket tråd, wire eller reb osv. Disse kan knække og blive farlige projektiler.

1. Træk stikket ud af kantklipperen.
2. Fjern resterende klippesnor, hvis nødvendigt.
3. Skær 8 meter lang klippesnor. Sæt snoren ind i monteringshullet i øjenhullet (fig. 01). Tryk og træk snoren fra den anden side, indtil der sidder lige meget snor på begge sider af spolen.
4. Tryk samtidig med, at du drejer det nederste dæksel i pilens retning, for at vikle snoren på spolen, indtil der stikker ca. 14 cm snor ud på hver side (fig. 02).
5. Tryk den nedre dækselsamling nedad, mens der trækkes i snorene, for manuelt at trække snoren ud, og så du kan se, om klippehovedet er monteret rigtigt.

Hvis klippesnoren springer ved udgangsjøet, eller hvis snoren ikke frigives, når klippehovedet trykkes mod jorden, følges trinene nedenfor:

1. Tryk på de to løsetapper på det øverste dæksel, og fjern det nederste dæksel ved at trække det lige ud (fig. K1 & K2).
2. Fjern klippesnoren fra spolen.
3. Hold det øvre beslag med den ene hånd, og hold den nedre beslagsamling med den anden hånd. Hold tappene på det øvre beslag mod hullerne på det nedre beslag (fig. 03). Brug håndfladen til at trykke på det nedre dæksel, indtil tappene låses fast med det øvre beslag.
4. Følg vejledningen i "UDSKIFTNING AF SNOR", når der skal fyldes mere klippesnor i.

VEDLIGEHOLDELSE

⚠ ADVARSEL: Ved service må der kun bruges originale reservedele. Efterse og vedligehold apparatet regelmæssigt. For at sikre sikkerhed og pålidelighed skal alle reparationer udføres af en kvalificeret servicetekniker.

⚠ ADVARSEL: Batteridrevne værktøjer behøver ikke at være tilsluttet en stikkontakt, og derfor er de altid driftsklar. For at undgå alvorlig tilskadekomst: Tag ekstra forholdsregler og udvis forsigtighed, når du udfører vedligeholdelse, service eller skal skifte klippe-/trimmetilbehør eller andet tilbehør.

⚠ ADVARSEL: For at undgå alvorlig tilskadekomst tages batteriets stik ud af stikdåsen før service, rengøring, udskiftning af påmonteringer, eller før der fjernes noget fra apparatet.

SÅDAN SMØRES GEARKASSEN

Hearkassen holder længere og virker bedre, når den smøres med en særlig fedt (ca. 4-5 g hver gang) efter hver 50 timers drift.

Det særlige fedt skal opfylde følgende krav.

1. Tilhører DIN51818: NLGI-1-kegepenetrationsgrad.
2. Esterbaseret fedt.
3. God opstart ved lave temperaturer, EP, mekanisk klipping, slidstærk og oxidative stabilitetsegenskaber.
4. Driftstemperaturen skal være inden for -40 ~ 180 °C. Fjern batteristikket, og den forseglede skrue. Smøring af gearhuset gennem oliehuset.

⚠ ADVARSEL: Kantklipperen må ikke smøres, når den stadig er forbundet med batteriet eller kører.

RENGØRING AF APPARATET

- Rengør apparatet med en fugtig klud med et mildt rengøringsmiddel.
- Brug ikke stærke rengøringsmidler på plastkabinettet eller -håndtaget. De kan tage skade af visse aromatiske olier, såsom fyr og citron, og opløsningsmidler såsom petroleum. Fugt kan også give elektrisk stød. Tør al fugt af med en blød tør klud.

OPBEVARING AF APPARATET

- Tag batteriets stik ud af stikdåsen på græstrimmeren, når den ikke er i brug.
- Rengør værktøjet grundigt, før det lægges væk.
- Opbevar apparatet på et tørt og godt ventileret sted, der er låst og utilgængeligt for børn. Opbevar ikke apparatet på eller ved siden af gødning, benzin eller andre kemikalier.
- Brug af en transportskærm til metalklinger under transport og opbevaring.

Beskyttelse af miljøet



Elektrisk udstyr, batterioplader og batterier må ikke smides ud sammen med almindelig husholdningsaffald! Tag dette produkt til en autoriseret genbrugsplads, og sørg for at det sendes til genbrug. Elektriske værktøjer skal returneres til et miljøkompatibelt genvindingsanlæg.

FEJLFINDING

PROBLEM	ÅRSAG	LØSNING
Apparatet starter ikke	<ul style="list-style-type: none"> ■ Batteripakken er ikke sat på græstrimmeren. ■ Ingen elektrisk kontakt mellem trimmer og batteri. ■ Batteripakken er afladet. 	<ul style="list-style-type: none"> ■ Sæt batteripakken på græstrimmeren. ■ Sæt batteripakken i igen med den angivne oplader. ■ Oplad batteripakken.
Der er græs omkring trimmerhoved og motorhus	<ul style="list-style-type: none"> ■ Kappen er ikke monteret på trimmeren, hvilket resulterer i en alt for lang trimmersnor og overbelastning af motoren. ■ Der anvendes kraftig trimmersnor. ■ Motoraksel eller trimmerhoved er omviklet med græs. ■ Motoren er overbelastet. ■ Batteripakken eller græstrimmeren er for varm. ■ Batteripakkens stik er ikke sat i værktøjet. ■ Batteripakken er afladet. 	<ul style="list-style-type: none"> ■ Tag batteripakkens stik ud af stikdåsen, og sæt kappen på trimmeren. ■ Brug anbefalet trimmersnor af nylon med en diameter på højst 3,0 mm. ■ Stop trimmeren, fjern batteriet, og fjern græsset fra motoraksel og trimmerhoved. ■ Apparatet vil køre normalt igen, når det ikke længere er belastet. Formidsk belastningen på maskinen, når der arbejdes igen. ■ Lad batteripakke eller trimmer køle, indtil temperaturen falder til under 67 °C. ■ Sæt stikket i igen. ■ Oplad batteripakken.
The cutting line can't be released.	<ul style="list-style-type: none"> ■ Motoraksel eller trimmerhoved er omviklet med græs. ■ Der er ikke tilstrækkelig snor i trimmerhovedet. ■ Trimmerhovedet er snavset. ■ Snoren er filtret ind i trimmerhovedet ■ Snoren er for kort. 	<ul style="list-style-type: none"> ■ Stop trimmeren, fjern batteriet, og fjern græs fra motoraksel og trimmerhoved. ■ Fjern batteriet, og udskift snoren; se afsnittet "UDSKIFTNING AF SNOR" i denne vejledning. ■ Fjern batteriet, og rens det nedre dæksel, spole og øvre dæksel. ■ Fjern batteriet, fjern snoren fra spolen og spol den på igen; se afsnittet "UDSKIFTNING AF SNOR" i denne vejledning. ■ Tag batteriet af og træk i snorene, mens trimmerhovedet skiftevis trykkes ned og slippes.
Grass wraps around trimmer head and motor housing	<ul style="list-style-type: none"> ■ Trimning af højt græs i jordhøjde. 	<ul style="list-style-type: none"> ■ Klip ukrudt i flere sektioner fra toppen og ned til jordniveau.



GARANTI

EGO's GARANTIPOLITIK

Besøg venligst hjemmesiden egopowerplus.com for fuldstændige vilkår og betingelser for EGO's garantipolitik.

DK

LÄS IGENOM ALLA INSTRUKTIONER!



LÄS IGENOM BRUKSANVISNINGEN

⚠ VARNING: Dolda risker! Personer med elektroniska enheter såsom pacemaker skall rådfråga sin läkare innan denna produkt används. Användning av elektronisk utrustning i närheten av en pacemaker kan orsaka störningar eller fel på pacemakern.



Säkerhetslarm



Använd skyddsglasögon! skyddsglasögon eller säkerhetsglasögon med sideskydd och en full ansiktsmask när denna produkt används.



Använd hörselskydd när denna produkt används.



Använd skyddshjälm godkänd skyddshjälm för att skydda huvudet.



Montera inte runda skärblad.



Max. skärbredd för kantrimmern



Se till att andra personer och husdjur befinner sig minst 15 m från trädtrimmen när den används.



Garanterad ljudeffektnivå. Bulleremissioner för omgivningen enligt EU-direktivet.



Förbrukade elektriska produkter får inte kastas i hushållssoporna. Lämnas in dem till en auktoriserad återvinningsstation.

n_0

Tomgångshastighet-Rotationshastighet utan belastning



Likström

SÄKERHETSSYMBOLER

⚠ VARNING: Användning av något elverktyg kan resultera i att främmande föremål kastas in i dina ögon vilket kan resultera i allvarliga ögonskador. Innan elverktyget börjar användas skall alltid skyddsglasögon eller skyddsglasögon med sideskydd och full ansiktsskydd användas när så behövs. Vi rekommenderar att en ansiktsmask med brett synfält används ovanpå glasögonen eller standard skyddsglasögon med sideskydd.



För att minska risken för skador måste användaren läsa bruksanvisningen.



Använd skyddsskor vid användning av denna utrustning.



Använd skyddshandskar dina händer med handskar när bladen eller bladskyddet hanteras.



Se upp med klingans slungkraft för faran med maskinens kastbenägenhet.



Diametern för skärlinan av nylon



Utslungade föremål kan rikoschettera och leda till skador på personer eller egendom. Se till att övriga personer och husdjur håller ett säkert avstånd från röjsågen när den används.



Använd den inte vid regn och lämna den inte utomhus om det regnar.




Denna produkt är i enlighet med gällande EC-direktiv.

V Spänning

.../min Per minut

kg Kilogram

SPECIFIKATIONER

Spänning	56 V 	
Ingen belastningshastighet	Upp till 5800/min	
Skärmekanism	Trådhuvid	
Skärträdens typ	3,0 mm nylonlina	
Klippbredd	38 cm	
Rekommenderad användningstemperatur	0°C-40°C	
Rekommenderad förvaringstemperatur	-20°C-70°C	
Optimal laddningstemperatur	5°C-40°C	
Vikt (utan batteripack)	5,8 kg	
Uppmätt ljudeffektnivå L_{WA}	94,2 dB(A) K=1,8 dB(A)	
Ljudtrycksnivå vid operatörens öra L_{PA}	74,15 dB(A) K=2,5 dB(A)	
Garanterad ljudeffektnivå L_{WA} (uppmätt i enlighet med 2000/14/EC)	96 dB(A)	
Värdering av vibration a_h	Främre handtag	3,2 m/s ² K=1,5 m/s ²
	Bakre handtag	2,3 m/s ² K=1,5 m/s ²

Det angivna totalvärdet för vibration är uppmätt enligt standardprovningmetoden och kan användas för att jämföra olika verktyg;

- Det angivna totalvärdet för vibration kan även användas vid preliminär utvärdering av exponering.

OBS! Den verkliga vibrationen under arbete med det eldrivna verktyget kan avvika från det angivna värdet. Användaren bör ha på sig lämpliga handskar och hörselskydd för de aktuella arbetsförhållandena för att skydda sig.

PACKLISTA (Bild A1)

BESKRIVNING

LÄRA KÄNNA DIN TRÅDTRIMMER (bild A1)

1. Uttag

2. Upplåsningsreglage
3. Tröskelring
4. Loop-handtag
5. Trimmertråd
6. Skyddsenshet
7. Axel
8. Gasreglage
9. Bakre handtag
10. Trimmerhuvud (trådhuvid)
11. Frikopplingsflik
12. Skärblad för trådkapning
13. Skyddsstång (endast för buskskärarens huvud)
14. Låsstång för skyddsstång (endast för buskskärarens huvud)
15. Yttre fläns (endast för buskskärarens huvud)
16. Mutter (endast för buskskärarens huvud)
17. Skruv
18. Insexnyckel

MONTERING

⚠ VARNING! Om någon del skadats eller saknas, använd inte denna produkt förrän delarna har bytts ut. Användning av denna produkt om den är skadad eller saknar delar kan resultera i allvariga personskador.

⚠ VARNING! Försök inte att modifiera denna produkt eller skapa tillbehör som inte rekommenderas för användning med denna trådtrimmer. Alla sådana ändringar eller modifikationer är felaktig användning och resulterar i farliga förhållanden som kan leda till allvariga personskador.

⚠ VARNING! För att förhindra oavsiktlig start som kan orsaka allvariga personskador, koppla alltid ur batterikontakten från uttaget vid montering av delar.

⚠ VARNING! När verktyget är utrustat med buskskärarens huvud måste skyddsstången monteras.

MONTERA SKYDDET

⚠ VARNING! Använd alltid handskar vid montering eller utbyte av skyddet. Var försiktig med skärbladet på skyddet och skydda din hand.

⚠ VARNING! Använd aldrig verktyget utan att skyddet är korrekt på plats. Skyddet måste alltid vara monterat på verktyget för att skydda användaren! När skyddet är fastsatt, försök aldrig att ta bort eller justera det, om utbyte krävs måste det utföras av en kvalificerad servicetekniker!

Lossa och ta bort de två skruvarna från skyddet (bild B), rikta in skyddets fästhål till monteringshålen och lås sedan fast skyddet till axelns bas med de två skruvarna och fjäderbrickorna (bild C).

⚠ VARNING! Säkerställ att skyddet är korrekt fastsatt enligt bild B och C. En omvänd fastsättning är mycket farligt!

MONTERING OCH JUSTERING AV LOOP-HANDTAGET

1. Stoppa motorn och koppla ur batterikontakten från uttaget (om batteriet är installerat).
2. Lossa på vingmuttern för att separera det justerbara loop-handtaget (bild D).

OBS! Installera skyddsstängan på loop-handtaget med de två skruvarna när verktyget är utrustat med buskskärarens huvud.

Bild D. Se nedan för beskrivning av delar:

D-1	Loop-handtag	D-4	Skyddsstäng (endast för buskskärarens huvud)
D-2	Klämblock	D-5	Låsstäng
D-3	Vingmutter		

OBS! Det finns två typer av låsstäng, den kortare stängan är för trimmerhuvudet. Den långa stängan är för buskskärarens huvud. Var noga med att välja korrekt låsstäng vid användning av verktyget.

3. Tryck fast loop-handtaget på axeln i fronten av tröskelringen. Placera det aldrig mellan tröskelringen och området för det bakre handtaget (bild E).

OBS! Justera loop-handtaget mellan tröskelringen och varningsetiketten när verktyget är utrustat med buskskärarens huvud (bild F).

4. Sätt in fästblocket i handtagsöppningen (bild G).
5. Montera låsstängan och dra åt dem i förhand med vingmuttern. Se till att det främre handtaget är riktat uppåt och pekar mot den övre delen på det bakre handtaget (bild H).
6. Justera loop-handtaget mellan tröskelringen och etiketten tills du hittar ett bekvämt användningsläge för trimmern.
7. Lås spaken för låsstängan. (bild I).

⚠ VARNING! Använd aldrig verktyget utan att loop-handtaget är korrekt på plats.

⚠ VARNING! Fixera loop-handtaget endast mellan tröskelringen och etiketten.

BYTA UT TRIMMERHUVUDET MED DET TRETANDADE BLADET

1. Ta bort strömkontakten från trådtrimmern.
2. Vrid trimmerhuvudet för att rikta in skåran i flänsen med låsningshålet för axeln i växelhuset och för in en stabilisator i hålet (bild J).
3. Vrid trimmerhuvudet medurs för att ta bort det (bild J).
4. Ta bort skyddstillsatsen genom att lossa de tre skruvarna med brickor (bild K3).

OBS! För att skydda dig mot personskador måste du använda handskar före hantering av det tretandade bladet.

5. Montera den inre flänsen och flänskyddet på plats (bild L1).
6. Montera skärbladet på motoraxeln, säkerställ att skärbladets yta är i jämnhöjd med ytan på den inre flänsens utbuktning. Montera den yttre flänsen och muttern (bild L2). Fördra muttern i MOTSOLS riktning för hand.
7. Positionera växelhuset mot en fast yta för support. Håll buskskärarens axel med ena handen och den multifunktionella skiftnyckeln med den andra handen för att dra åt muttern enligt pilikonen som visas på den yttre flänsen (bild L3).

ANVÄNDNING

⚠ VARNING! Bli inte vårdslös bara för att du är bekant med denna produkt. Kom ihåg att oaksamhet under en bråkdel av en sekund är tillräckligt för att orsaka allvarliga skador.

⚠ VARNING! Använd alltid ögonskydd, tillsammans med hörselskydd. Om du inte gör så kan det resultera i att föremål kastas in i ögonen och andra möjliga allvarliga skador.

⚠ VARNING! Använd inga andra tillsatser eller tillbehör än de som rekommenderas av tillverkaren av denna produkt. Användning av tillbehör eller tillsatser som inte rekommenderas kan resultera i allvarlig personskada.

⚠ VARNING! För att förhindra allvarliga personskador, koppla ur batterikontakten från uttaget före service, rengöring, ändring av tillbehör och borttagning av material från enheten.

Du kan använda denna produkt för de tillämpningar som listas nedan:

Trimning: Används för att ta bort gräs och ogräs mot väggar, staket, träd och kanter.

Klippning: Används för att klippa gräs som är svårt att komma åt med en vanlig gräsklippare.

OBS! Verktyget får endast användas för sitt avsedda ändamål. All annan användning, t.ex. häcktrimning, anses vara en felaktig användning.

SE

MONTERA/TA BORT BATTERIKABELN

Använd endast med de batteripack och laddare som listas i bild A2.

Ladda fullt före första användning.

Installera batterikabeln (bild M)

Rikta in ▲ på kontakten med ▲ på trådtrimmern. För in kontakten i maskinen tills den gröna förseglingen inte längre syns i uttaget.

Borttagning

Frigör batterikabeln från monteringskåran och dra ut kontakten från trådtrimmern.

STARTA/STOPPA TRÅDTRIMMERN (bild N)

Starta

Tryck upplåsningsreglaget till läget "ON", tryck låstungan framåt och tryck sedan in gasreglaget Gasreglaget har en steglös hastighetsjustering. Ju mer du trycker in gasreglaget, desto högre blir hastigheten.

N-1	Upplåsningsreglage	N-3	Gasreglage
N-2	Låstunga		

Stoppa

Släpp upp gasreglaget och tryck tillbaka startspärren till läget "OFF (Av)".

⚠ VARNING! Koppla alltid ur batterikontakten ur uttaget vid arbetspauser och efter att du har jobbat klart.

ANVÄNDA TRÅDTRIMMERN

⚠ VARNING! För att undvika allvarliga personskador, använd alltid skyddsglasögon vid användning av denna enhet. Använd en ansikts- eller dammask på dammiga platser.

Rensa området som ska beskåras före varje användning. Ta bort alla objekt som t.ex. stenar, krossat glas, spikar, trådar eller ledningar som kan slungas ut eller trasslas in i skärenheten. Se till att inga barn, åskådare eller husdjur är inom området. Håll alla barn, åskådare och husdjur minst 15 meter bort. Det kan fortfarande finnas en risk för slungade föremål mot åskådare. Uppmuntra åskådare att använda skyddsglasögon. Om någon närmar sig dig, stoppa omedelbart motorn och skärenheten.

Kontrollera efter skadade/slitna delar före varje användning.

Kontrollera tråd huvudet, skyddet och loop-handtaget och byt ut delar som är spruckna, skeva, böjda eller skadade på något sätt.

Skärbladet för trådkapning kan bli slött efter en tid. Det rekommenderas att vässa det regelbundet med en fil eller byta ut det mot ett nytt skärblad.

Rengör trimmern efter varje användning.

⚠ FÖRSIKTIGHET! Om ventilerna blockeras förhindras luften från att flöda in i motorhöljet, vilket kan resultera i överhettning eller skada på motorn.

- Använd endast mild tvål och en fuktad trasa för att rengöra verktyget. Låt aldrig någon vätska komma in i verktyget; sänk aldrig ner någon del av verktyget i en vätska.
- Håll alltid luftventilerna på motorhöljet fria från skräp.

⚠ VARNING! Använd aldrig vatten för att rengöra din trimmer. Använd inte lösningsmedel när du rengör plastdelarna. De flesta plaster är känsliga för skador från olika typer av kommersiella lösningsmedel. Använd rena trasor för att ta bort smuts, damm, olja, fett osv.

JUSTERA SKÄRTRÅDENS LÅNGD

Trimmerhuvudet låter operatören dra ut mer skärtråd utan att motorn behöver stoppas. När tråden blir fransig eller sliten kan mer tråd frigöras genom att knacka stötknappen lätt mot marken när trimmern är igång (bild V).

OBS! Tråden blir svårare att mata ut i takt med att skärtråden blir kortare.

⚠ VARNING! Ta inte bort eller modifiera skärbladet för tråden. En för lång tråd får motorn att överhettas och kan resultera i allvarliga personskador.

Byta ut tråden

OBS! Använd alltid rekommenderade nylontråd med en diameter som inte överstiger 3,0 mm. Om en annan skärtråd än den som anges används kan trådtrimmern överhettas eller skadas.

⚠ VARNING! Använd aldrig metallförstärkta trådar, kablar eller rep osv. Dessa kan gå av och bli farliga projektiler.

1. Ta bort strömkontakten från trådtrimmern.
2. Ta bort den återstående skärtråden om så krävs.
3. Klipp till 8 m lång skärtråd, för in tråden i monteringshålet på insidan av hålet (bild O1). Tryck in och dra tråden från den andra sidan tills en likvärdig längd visas på spolens båda sidor.
4. Tryck ner och vrid nedre lockmontaget i pilens riktning för att linda in spolen tills cirka 14 cm av tråden visas på vardera sida (bild O2).
5. Tryck ner nedre lockmontaget medan tråden dras ut manuellt för att förlänga den och för att kontrollera att trimmerhuvudet är korrekt monterat.

När skärtråden går av från trådutgången eller om skärtråden inte frigörs när trimmerhuvudet knackas lätt, följ stegen nedan:

1. Tryck in flikarna på övre locket och ta bort nedre lockmontaget genom att dra den rakt ut (bild K1 och K2).
2. Ta bort skärtråden från spolen.
3. Håll det nedre lockmontaget med ena handen och använd den andra handen för att ta tag i det nedre lockhandtaget och rikta in flikarna mot hålen i det nedre lockmontaget (bild O3); Använd handflatan för att trycka på det nedre lockmontaget tills flikarna läses med det övre locket.
4. Följ instruktionerna i "BYTA TRÅD" för att byta ut skärtråden.

UNDERHÅLL

⚠ VARNING! Vid service, används endast identiska utbytesdelar. Inspektera och underhåll maskinen regelbundet. För att garantera en säker och pålitlig användning måste alla reparationer utföras av en kvalificerad servicetekniker.

⚠ VARNING! Batteridrivna verktyg behöver inte vara anslutna till ett eluttag och är därför alltid redo för användning. För att förhindra allvarliga personskador, vidta extra försiktighet och omsorg vid underhåll, service eller när skärenhet eller andra tillbehör byts ut.

⚠ VARNING! För att förhindra allvarliga personskador, koppla ur batterikontakten från uttaget före service, rengöring, ändring av monterade tillbehör och borttagning av material från enheten.

SMÖRJ IN VÄXELLÅDAN

För bästa användning och längre livslängd, smörj in växellådan med ett särskilt fett (4-5 g per insmörjning) efter cirka 50 timmars drift.

Det särskilda fettet bör uppfylla följande krav.

1. Tillhöra DIN 51818: NLGI-1 penetreringsdjup i en mätkon.
2. Esterbaserat fett.
3. Utmärkt start vid låg temperatur, EP, mekanisk skjuvning, nötningshårdighet och oxidationsstabilitet.
4. Drifttemperaturen måste innehålla -40~180 °C. Dra ut batterikontakten och tätningsskraven. Smörj in växellådan via oljehålet.

⚠ VARNING! Smörj inte in när röjsågen fortfarande är ansluten till batteriet eller är igång.

RENGÖRA ENHETEN

- Rengör enheten med en fuktad trasa och ett mildt rengöringsmedel.
- Använd inte starka rengöringsmedel på plasthöljet eller handtaget. De kan skadas av vissa aromatiska oljor som t.ex. tall och citron, samt av lösningsmedel som t.ex. fotogen. Fukt kan även utgöra en risk för elektriska stötar. Torka bort fukt med en mjuk och torr trasa.

FÖRVARA ENHETEN

- Koppla ur batterikontakten från uttaget på trådtrimmern när den inte används.
- Rengör verktyget noga innan förvaring.
- Förvara enheten på en torr, välventilerad plats, inlåst eller högt upp, utom räckhåll för barn. Förvara inte enheten på eller i anslutning till gödningsmedel, bensin eller andra kemikalier.
- Använd ett transportskydd för metallskärbladen vid transport och förvaring.

Miljöskydd



Kasta inte elektrisk utrustning, använt batteri och laddare i hushållssoporna! Ta denna produkt till en auktoriserad återvinnare och gör den tillgänglig för separat insamling. Elektriska verktyg måste returneras till en miljöanpassad återvinningsanläggning.

FELSÖKNING

PROBLEM	ORSAK	LÖSNING
Går inte att starta	<ul style="list-style-type: none"> ■ Batteripacket är inte monterat på trådtrimmern. ■ Ingen elektrisk kontakt mellan trimmern och batteriet. ■ Batteriet är urladdat. 	<ul style="list-style-type: none"> ■ Montera batteripacket på trådtrimmern. ■ Ladda batteripacket med den laddare som anges. ■ Ladda batteripacket.
Intrasslat gräs runt trimmerhuvudet och motorhöljet.	<ul style="list-style-type: none"> ■ Skyddet är inte monterat på trimmern, vilket resulterar i en för lång skärtråd och överbelastning av motorn. ■ Kraftig skärtråd används. ■ Motoraxeln eller trimmerhuvudet är intrasslat i gräs. ■ Motorn är överbelastad. ■ Batteripacket eller trådtrimmern är för varm. ■ Batteripackets kontakt är inte anslutet till verktyget. ■ Batteripacket är urladdat. 	<ul style="list-style-type: none"> ■ Koppla ur batterikontakten från uttaget och montera skyddet på trimmern. ■ Använd rekommenderad nylontråd med en diameter som inte överstiger 3,0 mm. ■ Stoppa trimmern, ta ut batteriet och ta bort gräset från axeln och trimmerhuvudet. ■ Maskinen återhämtar sig när belastningen har avlägsnats. För kontinuerlig användning, minska maskinens belastning. ■ Låt batteripacket och trimmern svalna tills temperaturen sjunker under 67 °C. ■ Anslut kontakten igen. ■ Ladda batteripacket.
The cutting line can't be released.	<ul style="list-style-type: none"> ■ Motoraxeln eller trimmerhuvudet är intrasslat i gräs. ■ Det finns inte tillräckligt med tråd i trimmerhuvudet. ■ Trimmerhuvudet är smutsigt. ■ Tråden har traslat in sig i trimmerhuvudet. ■ Tråden är för kort. 	<ul style="list-style-type: none"> ■ Stoppa trimmern, ta ut batteriet och ta bort gräset från motoraxeln och trimmerhuvudet. ■ Ta ut batteriet och byt ut skärtråden; följ instruktionerna i avsnittet "BYTA UT TRÅDEN" i denna bruksanvisning. ■ Ta bort batteriet och rengör det nedre skyddet, spolen och det övre skyddet. ■ Ta ut batteriet, ta bort tråden från spolen och linda in den igen; följ instruktionerna i avsnittet "BYTA UT TRÅDEN" i denna bruksanvisning. ■ Ta ut batteriet och dra i trådarna medan trimmerhuvudet trycks in och släpps upp.
Grass wraps around trimmer head and motor housing	<ul style="list-style-type: none"> ■ Skära högt gräs i marknivå. 	<ul style="list-style-type: none"> ■ Klipp ogräset i olika sektioner från toppen till marknivå.



GARANTI

GARANTIVILLKOREN AV EGO

Var god besök webbplatsen egopowerplus.com för att se de fullständiga garantivillkoren av EGO.

SE

LUE KAIKKI OHJEET!



LUE KÄYTTÖOPAS

VAROITUS: Jäännösriski! Henkilöiden, joilla on sydämentahdistin tai muu vastaava elektroninen laite, tulisi keskustella lääkärin kanssa ennen tämän tuotteen käyttöä. Sähkölaitteiden käyttö sydämentahdistimen lähetyksillä saattaa häiritä tahdistimen toimintaa tai aiheuttaa vakavan toimintahäiriön.



Turvallisuushälytys



Använd skyddsglasögon! Käytä aina suojalaseja, joissa on sivusuojat, ja koko kasvot peittävää suojaa, kun käytät laitetta.



Använd hörselskydd – Käytä aina kuulosuojaimia, kun käytät laitetta.



Käytä suojakypärää – Käytä hyväksyttyä suojakypärää suojataksesi pääsi.



Älä asenna siihen pyöreitä teriä.



Leveys – Siimaleikkurin maks. leikkuuleveys



Varmista, että muut ihmiset ja lemmikkieläimet ovat vähintään 15 m päässä siimaleikkurista, kun se on käytössä.



Taattu äänen tehotaso. Melupäästöt ympäristöön Euroopan yhteisen direktiivin mukaiset.



Vanhoja sähkölaitteita ei saa hävittää kotitalousjätteen mukana. Vie laite valtuutettuun kierrätyslaitokseen.

n_0

Tyhjäkäyntinopeus-Pyörimisnopeus ilman kuormaa



Tasavirta

TURVALLISUUSYMBOLIT

VAROITUS: Minkä tahansa sähkötyökalun käyttö saattaa aiheuttaa vierasesineiden sinkoutumisen silmiin, mikä voi aiheuttaa vakavia silmävammoja. Käytä aina suojalaseja, joissa on sivusuojat, ja tarvittaessa koko kasvot peittävää suojaa, kun käytät sähkötyökaluja. Silmälasien päällä suosittelemme käytettäväksi suojamaskia, jossa on laaja näkökenttä, tai tavallisia suojalaseja, joissa on sivusuojat.



Käyttäjän on luettava käyttöopas loukkaantumisvaaran vähentämiseksi.



Käytä turvajalkineita – Käytä luistamattomia turvajalkineita varusteen käytön aikana.



Käytä suojakäsineitä – Käytä suojakäsineitä, kun käsittelet terästä tai terän suojusta.



Varo terän työntövoimaa – Varoita käyttäjää terän työntövoiman vaarallisuudesta.



Halkaisija – Nailonleikkuusiiman halkaisija



Sinkoutuvat esineet voivat kimmota ja aiheuttaa henkilö- tai omaisuusvahingon. Varmista, että muut ihmiset ja lemmikit ovat etäällä, kun pensasleikkuria käytetään.



Älä käytä sateella tai jätä ulos sateeseen.



Tämä tuote vastaa sovellettavia EU-direktiivejä.

V Jännite

.../min per minuutti

kg Kilogramma

MÄÄRITYKSET

Jännite	56 V ---	
Joutokäyntinopeus	Enintään 5800 / min	
Leikkuumeکانisimi	Kupupää	
Leikkuusiiman tyyppi	3,0mm:n kierresiima nailonista	
Leikkuuleveys	38 cm	
Suosittelut käyttölämpötila	0°C-40°C	
Suosittelut säilytyslämpötila	-20°C-70°C	
Ihanteellinen latauslämpötila	5°C-40°C	
Paino (ilman akkua)	5,8 kg	
Mitattu äänen tehotaso L_{WA}	94,2 dB(A) K=1,8 dB(A)	
Äänenpaineen taso käyttäjän korvien tasolla L_{PA}	74,15 dB(A) K=2,5 dB(A)	
Taattu äänen tehotaso L_{WA} (mitattu 2000/14/EY:n mukaisesti)	96 dB(A)	
Värinäarvo a_{Tt}	Etuapukahva	3,2 m/s ² K=1,5 m/s ²
	Takakahva	2,3 m/s ² K=1,5 m/s ²

- Ilmoitettu värinän kokonaisarvo on mitattu standardikoemenetelmän mukaan ja sitä voidaan käyttää verrattaessa työkaluja keskenään
- Ilmoitettua värinän kokonaisarvoa voidaan myös käyttää altistumisen ennakoarvioinnissa.

HUOMAA: Sähkötyökalun todellisen käytön aikana ilmenevä värinä voi erota työkalun käytölle ilmoitetusta arvosta. Käyttäjän suojelemiseksi on todellisissa käyttöolosuhteissa käytettävä käsineitä ja kuulosuojaimia.

PAKKAUSLUETTELO (Kuva A1)

KUVAUS

TUNNE SIIMALEIKKURISI (Kuva A1)

1. Liitäntä
2. Lukituksen vapautusvipu
3. Rajoitusrengas

4. Kaarikahva
5. Leikkurin siima
6. Suojuskokoonpano
7. Varsi
8. Liipaisin
9. Takakahva
10. Leikkuupää (kupupää)
11. Vapautusuloke
12. Siiman leikkuuterä
13. Turvaestetanko (vain pensasleikkuripäähän)
14. Lukitusvarsi turvaestetankoon (vain pensasleikkuripäähän)
15. Ulkolaippa (vain pensasleikkuripäähän)
16. Mutteri (vain pensasleikkuripäähän)
17. Ruuvi
18. Kuusioavain

KOKOONPANO

⚠ VAROITUS: Jos jokin osa on vahingoittunut tai puuttuu, älä käytä tuotetta ennen kuin osat on vaihdettu. Tuotteen käyttö vioittuneilla tai puuttuvilla osilla voi aiheuttaa vakavan henkilövahingon.

⚠ VAROITUS: Älä yritä muuttaa tätä tuotetta tai käyttää siinä lisävarusteita, joita ei ole suunniteltu käytettäväksi tämän siimaleikkurin kanssa. Mikä tahansa tällainen muokkaus tai muutos on väärinkäytös ja saattaa aiheuttaa vaarallisen tilan, joka saattaa johtaa vakavaan henkilövammaan.

⚠ VAROITUS: Irrota akun liitin liittämästä aina, kun kokoat osia. Näin varmistat, ettei laite käynnisty vahingossa eikä aiheuta vakavia henkilövahinkoja.

⚠ VAROITUS: Turvaestetanko on asennettava, jos työkalu on varustettu pensasleikkuripäällä.

SUOJAN KIINNITTÄMINEN

⚠ VAROITUS: Käytä aina käsineitä, kun kiinnität tai vaihdat suojaa. Huolehdi, että suojan terä ei leikkaa käsiäsi.

⚠ VAROITUS: Älä koskaan käytä työkalua ilman, että suoja on kunnolla paikallaan. Suojan on aina oltava työkalussa käyttäjän suojaamiseksi! Jos suoja on kiinteä, älä ikinä poista tai säädä sitä. Jos suojan vaihtaminen on tarpeen, vain asiantunteva huoltoteknikko saa vaihtaa sen!

Löysää ja poista kaksi ruuvia suojasta (kuva B). Kohdista suojan kiinnitysreiät kokoonpanoreikiin ja lukitse suoja sitten varren tyveen kahden ruuvin ja jousiasuslaattojen kanssa (kuva C).

VAROITUS: Varmista, että suoja on paikallaan kuvien B ja C mukaisesti, käänteinen kiinnitys aiheuttaa suuren vaaran!

KAARIKAHVAN ASENTAMINEN JA SÄÄTÄMINEN

1. Pysäytä moottori ja irrota akun liitin liittännästä, jos se on asennettuna.
2. Löysää siipimutteri, jotta saat säädettävän kaarikahvan irti (kuva D).

HUOMAUTUS: Asenna turvaestetanko kaarikahvaan kahdella ruuvilla silloin, kun työkalu on varustettu pensasleikkuripäällä.

Kuvan D osien tiedot alla:

D-1	Kaarikahva	D-4	Turvaestetanko (vain pensasleikkuripäähän)
D-2	Puristuskappale	D-5	Lukitusvarsi
D-3	Siipimutteri		

HUOMAUTUS: Lukitusvarsia on kaksi erilaista. Lyhyempi niistä on siimaleikkuripäähän. Pidempi on pensasleikkuripäähän. Muista valita oikea lukitusvarsi, kun käytät työkalua.

3. Paina kaarikahva varteen rajoitusrenkaan eteen. Älä koskaan aseta sitä rajoitusrenkaan ja takakahvan väliselle alueelle (kuva E).

HUOMAUTUS: Säädä kaarikahva rajoitusrenkaan ja varoitusrenkaan väliin, jos työkalu on varustettu pensasleikkuripäällä (kuva F).

4. Aseta puristuskappale kahvan koloon (kuva G).
5. Asenna lukitusvarsi ja esikiristä se siipimutterilla. Varmista, että kaarikahva on ylöspäin ja osoittaa kohti takakahvan yläosaa (kuva H).
6. Säädä kaarikahva rajoitusrenkaan ja varoitusrenkaan väliin siten, että sinulla on miellyttävä asento leikkuria käyttäessäsi. .
7. Lukitse lukitusvarren vipu (kuva I).

VAROITUS: Älä ikinä käytä työkalua ilman, että kaarikahva on kunnolla paikallaan.

VAROITUS: Kiinnitä kaarikahva ainoastaan rajoitusrenkaan ja tarran väliin.

VAIHTA TRIMMERIPÄÄ 3-HAMPaiseen TERÄÄN

1. Irrota pistoke siimaleikkurista.
2. Käännä leikkuupäätä, jotta laipan kolo kohdistuu varren lukitusreikään vaihteistokotelossa ja aseta vakain reikään (kuva J).
3. Irrota leikkuupää kiertämällä sitä myötäpäivään (kuva J).
4. Poista suojaosa irrottamalla kolme ruuvia ja aluslevyä (kuva K3).

HUOMAUTUS: Käytä käsiineitä suojataksesi itsesi loukkaantumiselta, kun käsittelet 3-hampaista terää.

5. Asenna sisälaippa ja laipan suojus paikoilleen (kuva L1).
6. Asenna terä moottorin karaan. Varmista, että terän pinta on sisälaiipan ulokkeen tasossa. Asenna ulkolaippa ja mutteri (kuva L2). Esikiristä mutteri VASTAPÄIVÄÄN sormikireyteen.
7. Aseta vaihdekotelo tuen kiinteää pintaa vasten. Tartu toisella kädellä pensasleikkurin varteen ja toisella kädellä monitoimivaimeseen, kiristä mutteri ulkolaipassa olevan nuolen osoittamaan suuntaan (kuva L3).

KÄYTTÖ

VAROITUS: Älä anna tämän laitteen tuttuuden tehdä sen käsittelystä huolimattomta. Muista, että muutaman sadasosasekunnin huolimattomuus riittää aiheuttamaan vakavan henkilövahingon.

VAROITUS: Käytä aina suojalaseja ja kuulosuojaimia. Tämän ohjeen laiminlyöminen saattaa aiheuttaa esineiden sinkoutumisen silmiin ja mahdollisen vakavan henkilövahingon.

VAROITUS: Älä käytä lisälaitteita tai lisävarusteita, jos tämän tuotteen valmistaja ei ole suositellut. Muiden kuin suositeltujen lisälaitteiden tai lisävarusteiden käyttö saattaa aiheuttaa vakavan henkilövahingon.

VAROITUS: Vakavien henkilövahinkojen välttämiseksi akun liitin on irrotettava liittännästä ennen kuin huollat tai puhdistat laitetta tai vaihdat siihen varusteita tai poistat materiaalia laitteesta.

Tätä laitetta voi käyttää seuraavassa mainittuihin tarkoituksiin:

Ruohotrimmerinä: käytetään ruohon ja rikkaruohojen poistamiseen seinien, aitojen, puiden ja rajojen lähellä.

Leikkurina: käytetään sellaisen nurmikon leikkaamiseen, johon on vaikea päästä käsiksi perinteisellä ruohonleikkurilla.

HUOMAUTUS: Laitetta tulee käyttää vain sille tarkoitettuun tarkoitukseen. Muunlainen käyttö, esimerkiksi pensaiden leikkuu, katsotaan väärinkäytöksi.

AKUN JOHDON LIITTÄMINEN/IRROTTAMINEN

Käytä vain kuvassa A2 lueteltujen akkujen ja latereiden kanssa.

Lataa täyteen ennen ensimmäistä käyttökertaa.

Akun johdon asentaminen (kuva M)

Yhdistä ▲ pistoke ▲ leikkurin liitäntään. Työnnä pistoke koneeseen, kunnes vihreä tiiviste häviää täysin liitäntään.

Irrottaminen

Vapauta akun johto kiinnitysaurasta ja vedä pistoke irti siimaleikkurista.

SIIMALEIKKURIN KÄYNNISTÄMINEN/ SAMMUTTAMINEN (kuva N)

Käynnistäminen

Paina lukituksen vapautusvipu ON-asentoon, paina lukituskieli eteenpäin ja paina sitten liipaisukytkintä. Liipaisin säätää nopeuden portaattomasti. Mitä enemmän vedät liipaisinta, sitä kovempi nopeus on.

N-1	Lukituksen vapautusvipu	N-3	Liipaisinkytkin
N-2	Lukituskieli		

Pysäyttämisen

Vapauta liipaisinkytkin ja paina lukituksen vapautuspainike takaisin OFF-asentoon.

VAROITUS: Irrota akun liitin liittäneestä, kun pidät työstä taukoa ja kun lopetat leikkurin käytön.

SIIMALEIKKURIN KÄYTTÖ

VAROITUS: Käytä aina laseja tai turvalaseja laitetta käyttäessäsi vakavien henkilövahinkojen välttämiseksi. Käytä pölyisissä olosuhteissa hengityssuojainta tai pölysuojainta.

Tyhjennä leikattava alue ennen jokaista käyttökertaa. Poista kaikki esineet, kuten kivet, rikkiäinen lasi, naulat, rautalanka tai narut, jotka saattavat lentää tai sotkeutua leikkurin osiin. Tyhjennä alue lapsista, sivullisista ja lemmikkieläimistä. Pidä kaikki lapset,

sivulliset ja lemmikit vähintään 15 metrin päässä; sivulliset saattavat silti olla lentävien esineiden riskialueella. Sivullisia tulee kannustaa pitämään suojalaseja. Jos joku lähestyy sinua, sammuta moottori ja leikkulaite välittömästi.

Tarkasta ennen jokaista käyttöä vaurioituneiden/ kuluneiden osien varalta

Tarkasta kupupää, suoja ja kaarikahva. Vaihda murtuneet, vääntyneet, taipuneet tai muulla tavoin vaurioituneet osat.

Suojan reunassa oleva siiman leikkuterä saattaa tylsyä käytössä. Suosittelemme, että teroitat sen määrääjain viillalla tai vaihdat sen uuteen terään.

Puhdista leikkuri jokaisen käyttökerran jälkeen.

VAROITUS: Tukokset ilma-aukoissa estävät ilman virtaamisen moottorikehikkoon ja voivat aiheuttavat ylikuumentumista tai moottorin vahingoittumisen.

- Käytä työkalun puhdistuksessa vain mietoja pesuainetta ja kosteaa liinaa. Älä ikinä päästä vettä työkalun sisälle; älä koskaan upota mitään työkalun osaa nesteeseen.
- Pidä moottorikehikon ilma-aukot aina puhtaana irtoaineksestä.

VAROITUS: Älä koskaan käytä vettä leikkurin puhdistamiseen. Vältä liuotainaineiden käyttöä, kun puhdistat muoviosia. Suurin osa muoveista on alltiita vahingoittumaan markkinoilla olevista liuottimista. Poista lika, pöly, öljy, rasva ym. puhtaalla liinalla.

LEIKKUUSIIMAN PITUUDEN SÄÄTÄMINEN

Trimmeripää mahdollistaa leikkuusiiman vapauttamisen ilman moottorin sammuttamista. Kun siima kuluu tai rispaantuu, voit vapauttaa lisää kopauttamalla kupupäätä maata vasten leikkurin käytön aikana (kuva V).

HUOMAUTUS: Siiman vapautus vaikeutuu, jos leikkauksiima tulee liian lyhyeksi.

VAROITUS: Älä poista siimaleikkurin teräkokooppaanoa tai muuta sitä. Ylimääräinen siiman pituus aiheuttaa moottorin ylikuumentumista ja saattaa aiheuttaa vakavan henkilövahingon.

Siiman vaihtaminen

HUOMAUTUS: Käytä aina suositeltua nailonleikkuusiimaa, jonka halkaisija on korkeintaan 3,0 mm. Muunlaisen siiman käyttäminen saattaa aiheuttaa siimaleikkurin kuumentumisen tai vaurioittumisen.

VAROITUS: Älä käytä koskaan metallilla vahvistettua siimaa, rautalankaa, narua yms. Ne saattavat katketa ja muuttua vaarallisiksi ammuksiksi.

1. Irrota pistoke siimaleikkurista.
2. Poista jäljellä oleva siima, mikäli tarpeen.
3. Leikkaa leikkuusiimasta 8 m pitkä kappale. Työnnä siima pujotusreiän sisäpuolella olevaan asennusreikään (kuva O1). Työnnä ja vedä siimaa toiselta puolelta, kunnes kummallakin puolella kelaa on yhtä paljon siimaa.
4. Paina ja pyöritä samalla alemmaa suojusta nuolen suuntaan saadaksesi siiman kelalle, kunnes kummallakin puolella on näkyvissä noin 14 cm siimaa (kuva O2).
5. Paina alemmaa suojusta ja vedä samalla siimoja käsin siiman liikuttamiseksi eteenpäin. Tarkista leikkuupään oikea kokoonpano.

Kun leikkuusiima katkeaa siiman ulostulosta tai leikkuusiimaa ei vapaudu leikkuupäätä napautettaessa, noudata seuraavia ohjeita:

1. Paina ylemmän suojuksen vapautusulokkeita ja poista alempi suojus vetämällä sitä suoraan ulospäin (kuvat K1 ja K2).
2. Irrota leikkuusiima kelasta.
3. Pidä toisella kädellä alemmasta suojuksesta, tartu toisella kädellä alempaan suojukseen ja kohdista ylemmän suojuksen ulokkeet alemman suojuksen reikiin (kuva O3). Käytä kämmettä ja paina alemmaa suojusta, kunnes ulokkeet lukittuvat ylemmään suojukseen.
4. Noudata leikkuusiiman uudelleen lataamisessa kohdan ”SIIMAN VAIHTAMINEN” ohjeita.

HUOLTO

VAROITUS: VAROITUS: Käytä huollon yhteydessä vain identtisiä varaosia. Tarkasta laite ja kunnossapidä sitä säännöllisesti. Pätevän huoltoteknikon tulee suorittaa kaikki korjaukset, jotta voidaan taata tuotteen turvallinen ja luotettava käyttö.

VAROITUS: Akkuyökaluja ei tarvitse liittää sähköverkkoon. Tästä syystä ne ovat aina käyttökunnossa. Vakavan henkilövahingon välttämiseksi ole erityisen varovainen, kun kunnossapidät, huollat tai vaihdat leikkuuosia tai muita osia.

VAROITUS: Irrota akun liitin liitännästä ennen kuin huollat tai puhdistat laitetta tai vaihdat siihen varusteita tai poistat materiaalia laitteesta, jotta vältät vakavat henkilövahingot.

VAIHEISTOKOTELON VOITELU

Parhaan toimivuuden ja pitkän käyttöiän takaamiseksi voitele vaihteistokotelo erikoisrasvalla (4–5 g joka kerta) 50 käyttötunnin välein.

Erikoisrasvan on täytettävä seuraavat vaatimukset.

1. Kuuluttava DIN 51818: NLGI-1 kartion tunkeutumislukkaan.
2. Esteripohjainen rasva.
3. Erinomainen alhaisen lämpötilan käynnistys, EP, mekaaninen leikkaus, hankauksen kestävyys ja hapettumisenkestävyysominaisuudet.
4. Käyttölämpötilan on oltava –40–180 °C. Irrota akun pistoke ja tiivistysruuvi. Vaihteistokotelon voitelu voitelureiän kautta.

VAROITUS: Älä voitele, jos pensasleikkuri on vielä yhdistettynä akkuun tai se on käynnissä.

LAITTEEN PUHDISTAMINEN

- Puhdista laite kostealla liinalla ja miedolla puhdistusaineella.
- Älä käytä voimakkaita puhdistusaineita muoviseen kuoreen tai kahvaan. Ne saattavat vahingoittaa tietyistä aromaattisista öljyistä, kuten männystä ja sitruunasta, ja liuottimista, kuten kerosiineista. Kosteus voi myös aiheuttaa sähköiskun vaaran. Pyyhi kosteus pois pehmeällä ja kuivalla liinalla.

LAITTEEN VARASTOINTI

- Irrota akun liitin siimaleikkurin liitännästä, kun laite ei ole käytössä.
- Puhdista työkalu perusteellisesti ennen varastointia.
- Säilytä laite kuivassa, hyvin ilmastoidussa, lukitussa paikassa tai korkealla, poissa lasten ulottuvilta. Älä säilytä laitetta laannoitteiden, bensiinin tai muiden kemikaalien vieressä tai päällä.
- Käytä metalliterissä kuljetussuojusta kuljetuksen ja varastoinnin aikana.

Ympäristönsuojelu



Älä hävitä sähkölaitteita, akkulatoria tai akkua/ladattavia paristoja kotitalousjätteen seassa! Vie tämä tuote hyväksytyyn kierrätyspaikkaan tai anna se erilliseen keräilyyn. Sähkötyökalut tulee palauttaa asianmukaiseen ympäristöystävälliseen kierrätyslaitokseen.

VIANETSINTÄ

ONGELMA	SYY	RATKAISU
Ei käynnisty	<ul style="list-style-type: none"> ■ Akkua ei ole liitetty siimaleikkuriin. ■ Leikkurin ja akun välillä ei ole sähköliitäntää. ■ Akku on tyhjä. 	<ul style="list-style-type: none"> ■ Liitä akku siimaleikkuriin. ■ Aseta akku uudelleen määritettyyn laturiin. ■ Lataa akku.
Ruoho kietoutuu leikkurin päähän ja moottorin kehikkoon	<ul style="list-style-type: none"> ■ Suojaa ei ole kiinnitetty leikkuriin, mikä aiheuttaa liian pitkän leikkuusiiman ja moottorin ylikuormittumisen. ■ Leikkuusiima on liian paksu. ■ Moottorin kara tai leikkurin pää on täynnä ruohoa. ■ Moottori on ylikuormittunut. ■ Akku tai siimaleikkuri on liian kuuma. ■ Akun liitin on irronnut työkalusta. ■ Akku on tyhjä. 	<ul style="list-style-type: none"> ■ Irrota akun liitin liitännästä ja kiinnitä suoja leikkuriin. ■ Käytä aina suositeltua nailonleikkuusiimaa, jonka halkaisija on korkeintaan 3,0 mm. ■ Pysäytä leikkuri, poista akku ja poista ruoho karasta ja leikkuripästä. ■ Kone palautuu, kun esteet poistetaan. Vähennä koneen kuormitusta jatkuvassa käytössä. ■ Jäähdytä akkua tai leikkuria, kunnes sen lämpötila on alle 67 °C. ■ Liitä liitin takaisin. ■ Lataa akku.
The cutting line can't be released.	<ul style="list-style-type: none"> ■ Moottorin kara tai leikkurin pää on täynnä ruohoa. ■ Leikkuripäässä ei ole riittävästi siimaa. ■ Leikkuripää on likainen. ■ Siima on solmussa leikkuripäässä ■ Siima on liian lyhyt. 	<ul style="list-style-type: none"> ■ Pysäytä leikkuri, poista akku ja poista ruoho moottorin karasta ja leikkuripästä. ■ Poista akku ja vaihda leikkuusiima; noudata tämän käyttöoppaan SIIMAN VAIHTAMINEN -osion ohjeita. ■ Poista akku ja puhdista alempi suojuus, kela ja ylempi suojuus. ■ Poista akku, poista siima rullasta ja kela se uudelleen; noudata tämän käyttöoppaan SIIMAN VAIHTAMINEN -osion ohjeita. ■ Poista akku ja vedä siimoja samalla, kun vuorotellen painat ja vapautat leikkuripään.
Grass wraps around trimmer head and motor housing	<ul style="list-style-type: none"> ■ Pitkän ruohon leikkaaminen maan tasalle. 	<ul style="list-style-type: none"> ■ Leikkaa rikkaruohot useammassa osassa latvasta tyveen päin.



TAKUU

EGO-TAKUUKÄYTÄNTÖ

Katso verkkosivuilta osoitteesta egopowerplus.com EGO-takuukäytännön ehdot ja edellytykset kokonaisuudessaan.

FI

LES ALLE INSTRUKSJONER!



LES BRUKERHÅNDBOKEN

⚠ ADVARSEL: Restrisiko! Personer med elektroniske enheter, for eksempel pacemakere, må rådføre seg med lege før de bruker dette produktet. Drift av elektrisk utstyr i umiddelbar nærhet av en pacemaker kan føre til at pacemakeren forstyrres eller svikter.



Sikkerhetsadvarsel



Bruk vernebriller – bruk alltid vernebriller eller vernebriller med sidebeskyttelse, og full ansiktsskjerm når du bruker dette produktet.



Bruk hørselvern – bruk alltid hørselsvern når du bruker dette produktet.



Bruk hodebeskyttelse – bruk en godkjent vernehjelm for å beskytte hodet.



Ikke installer runde skjæreblad.



Bredde – kantklipperens maks. skjærebredde



Sørg for at andre mennesker og kjæledyr er minst 15 m unna kantklipperen når den er i bruk.



Garantert lydeffektnivå. Støy i omgivelsene er i henhold til EUs direktiv.



Elektrisk avfall skal ikke kastes sammen med husholdningsavfall. Innlever ved en godkjent gjenvinningsstasjon.

n_0

Hastighet uten last-Rotasjonshastighet, uten last



Likestrøm

SIKKERHETSSYMBOLER

⚠ ADVARSEL: Bruk av hvilke som helst elektroverktøy kan føre til at fremmedlegemer blir kastet mot øynene, noe som kan gi alvorlige øyeskader. Før du begynner å bruke elektroverktøyet, skal du alltid ta på vernebriller eller vernebriller med sidebeskyttelse, og en full ansiktsskjerm der det trengs. Vi anbefaler en Wide Vision Safety Mask til bruk over briller, eller standard vernebriller med sidebeskyttelse.



For å redusere risikoen for skader må brukeren lese bruksanvisningen.



Bruk vernesko – bruk sklisikre vernesko når du bruker utstyret.



Bruk vernehansker – beskytt hendene med hansker når du håndterer knivbladene.



Vær oppmerksom på risikoen for tilbakeslag – varsle operatøren om faren for forskyvning av skjæreblad.



Diameter – diameteren på nylontråden



Gjenstander som slynges bort, kan rikosjettere og forårsake skade på personer eller eiendom. Sørg for at andre mennesker og kjæledyr er minst 15 m unna busktrimmeren når den er i bruk.



Produktet må ikke brukes i regnvær eller etterlates utendørs når det regner.



Dette produktet er i samsvar med gjeldende EF-direktiver.

V Spenning

.../min Per minutt

kg Kilogram

NO

SPESIFIKASJONER

Spenning	56 V $\overline{\text{---}}$	
Hastighet uten belastning	Opptil 5800/min.	
Kuttemekanisme	Trimmerhode	
Trådtype	3,0 mm nylontråd	
Klippebredde	38 cm	
Anbefalt driftstemperatur	0°C-40°C	
Anbefalt oppbevaringstemperatur	-20°C-70°C	
Optimal ladetemperatur	5°C-40°C	
Vekt (uten batteripakke)	5,8 kg	
Målt lydeffektnivå L_{WA}	94,2 dB(A) K=1,8 dB(A)	
Lydtrykknivå ved brukerens øre L_{PA}	74,15 dB(A) K=2,5 dB(A)	
Garantert lydeffektnivå L_{WA} (målt i henhold til 2000/14/EF)	96 dB(A)	
Vibrasjonsnivå $a_{h,v}$	Fremre hjelpéhåndtak	3,2 m/s ² K=1,5 m/s ²
	Bakre håndtak	2,3 m/s ² K=1,5 m/s ²

- Den deklarerte totale vibrasjonsverdien er målt i overensstemmelse med en standard testmetode, og kan brukes til å sammenligne ett verktøy med et annet;
- Den deklarerte totale vibrasjonsverdien kan også brukes i en foreløpig vurdering av eksponering.

MERK: Vibrasjoner under faktisk bruk av elektroverktøyet kan variere fra den opplyste verdien der verktøyet brukes; For å beskytte brukeren, skal det brukes hansker og hørselsvern under de faktiske bruksforholdene.

PAKKELISTE (Fig. A1)

BESKRIVELSE

GJØR DEG KJENT MED KANTKLIPPEREN (Fig. A1)

1. Kontakt
2. Låsespake
3. Avgrensningsring
4. Sløyféhåndtak

5. Tråd
6. Skjermmontasje
7. Skaft
8. På/av-bryter
9. Bakre håndtak
10. Trimmerhode
11. Utløserflik
12. Trådkuttingsblad
13. Sikkerhetsbarrierestang (bare for busktrimmerhode)
14. Låsehendel for sikkerhetsbarrierestang (bare for busktrimmerhode)
15. Ytre flens (bare for busktrimmerhode)
16. Mutter (bare for busktrimmerhode)
17. Skruer
18. Unbrakonøkkel

MONTERING

⚠ ADVARSEL: Hvis noen av delene er skadet eller mangler, må du ikke bruke dette produktet før delene er byttet. Bruk av dette produktet dersom deler er skadet eller mangler, kan føre til alvorlige personskader.

⚠ ADVARSEL: Ikke prøv å endre produktet eller konstruere tilbehør som ikke er anbefalt for bruk med denne kantklipperen. Enhver slik endring eller modifisering er feil bruk og kan føre til farlige situasjoner og alvorlige personskader.

⚠ ADVARSEL: For å unngå utilsiktet oppstart, som kan forårsake alvorlig personskade, må du alltid trekke batterikoblingen ut av kontakten når du skal montere deler.

⚠ ADVARSEL: Når verktøyet er utstyrt med busktrimmerhode, må sikkerhetsbarrierestangen være påmontert.

MONTERING AV SKJERMEN

⚠ ADVARSEL: Bruk alltid hansker når du monterer eller skifter ut skjermen. Vær forsiktig med trådkuttingsbladet på skjermen, slik at du ikke kutter hånden.

⚠ ADVARSEL: Bruk aldri verktøyet uten skjermen på plass. Skjermen må alltid være på plass på verktøyet for å beskytte brukeren. Når skjermen er på plass, må du ikke forsøke å fjerne eller justere den. Hvis den trenger å skiftes ut, må dette gjøres av en kvalifisert fagperson!

Løsne og fjern de to skruene fra skjermen (Fig. B). Posisjoner skjermmonteringshullene over monteringshullene, og lås skjermen fast på skaftbasen med de to skruene og to fjærskiver (Fig. C).

⚠ ADVARSEL: Forsikre deg om at skjermen er festet som vist på Fig. B og C. Festes den på annen måte, kan det medføre alvorlig fare!

MONTERING OG JUSTERING AV SLØYFEHÅNDTAKET

1. Stans motoren og trekk batterikoblingen ut av kontakten hvis den er pluggert inn.
2. Løsne vingemutteren for å løsne det regulerbare sløyfehåndtaket (Fig. D).

MERK: Monter sikkerhetsbarrierestangen i sløyfehåndtaket ved hjelp av de to skruene når verktøyet er utstyrt med busktrimmerhode.

Se delebeskrivelse for Fig. D nedenfor:

D-1	Sløyfehåndtak	D-4	Sikkerhetsbarrierestang (bare for busktrimmerhode)
D-2	Klemblokk	D-5	Låsehendel
D-3	Vingemutter		

MERK: Det finnes to typer låsehendel. Den korteste er ment for bruk med trimmerhode. Den lengste er ment for bruk med busktrimmerhode. Pass på at du velger riktig låsehendel når du skal bruke verktøyet.

3. Skyv sløyfehåndtaket inn skaffet foran avgrensingsringen. Det må aldri plasseres mellom avgrensingsringen og området rundt det bakre håndtaket (Fig. E).

MERK: Juster sløyfehåndtaket mellom avgrensingsringen og advarselsetiketten når verktøyet er utstyrt med busktrimmerhode (Fig. F).

4. Sett klemblokken inn i spalten på håndtaket (Fig. G).
5. Sett på låsehendelen, og stram til midlertidig med vingemutteren. Pass på at sløyfehåndtaket vender opp og peker mot toppen av det bakre håndtaket (Fig. H).
6. Juster sløyfehåndtaket mellom avgrensingsringen og etiketten til du finner en komfortabel bruksposisjon.

7. Lås spaken på låsehendelen (Fig. I).

⚠ ADVARSEL: Bruk aldri verktøyet uten sløyfehåndtaket korrekt påmontert.

⚠ ADVARSEL: Sløyfehåndtaket må festes mellom avgrensingsringen og etiketten.

BYTT UT TRIMMERHODET MED DET 3-TANNEDE BLADET

1. Fjern stikkkontakten fra kantklipperen.
2. Drei trimmerhodet for å justere sporet i flensen med aksellåsehullet i giraksen, og sett inn en stabilisator i hullet (Fig. J).
3. Drei trimmerhodet i retning med klokken for å løsne det (Fig. J).
4. Fjern skjermtilbehøret ved å løsne de tre skruene med skiver (Fig. K3).

MERK: For å beskytte deg mot skader må du bruke hansker når du skal håndtere det 3-tannede bladet.

5. Monter den indre flensen og flensdekselet på plass (Fig. L1).
6. Monter bladet på motorakselen, slik at bladets overflate er i flukt med overflaten på bulen på den indre flensen. Monter den ytre flensen og mutteren (Fig. L2). Stram mutteren til MOT KLOKKERETNINGEN for hånd.
7. Sett giraksen mot en solid overflate for støtte. Hold busktrimmerens skaft fast med den ene hånden, og grip multifunksjonsnøkkelen ned den andre for å stramme til mutteren i tråd med retningspil-ikonet på den ytre flensen (Fig. L3).

BRUK

⚠ ADVARSEL: Selv om du er vant med å bruke produktet, må du aldri være uaktksom. Husk at et ørlite øyeblikks uoppmerksomhet er alt som skal til for at alvorlige personskader kan oppstå.

⚠ ADVARSEL: Bruk alltid vernebriller og hørselsvern. Unnlattelse av å gjøre dette kan resultere i at gjenstander kastes inn i øynene dine, samt andre potensielle, alvorlige skader.

⚠ ADVARSEL: Ikke bruk noen form for tilleggsutstyr eller tilbehør som ikke er anbefalt av produsenten av dette produktet. Buk av tilleggsutstyr eller tilbehør som ikke er anbefalt, kan medføre alvorlig personskade.

NO

⚠ ADVARSEL: For å unngå alvorlig personskade må du trekke batterikoblingen ut av kontakten før du går i gang med service, rengjøring, bytte av tilbehør eller fjerning av materiale fra enheten.

Du kan bruke dette produktet til formålene som er listet opp under:

Kantklipping: brukes for å fjerne gress og ugress inntil vegger, gjerder, trær og tomtengrensler.

Kutting: brukes for å klippe gress som er vanskelig å komme til med en vanlig gressklipper.

MERK: Verktøyet skal bare brukes til sitt foreskrevne formål. All annen bruk, for eksempel hekktrimming, anses for å være feil bruk.

FESTING/FJERNING AV BATTERIKABELEN

NO

Bruk kun med batteripakker og ladere som oppført i fig. A2.

Lad batteriet helt opp før første gangs bruk.

Installering av batterikabel (Fig. M)

Posisjoner ▲ på støpselet mot ▲ på kantklipperen. Sett støpselet inn i maskinen til den grønne forseglingen er helt inne i kontakten.

Frakobling

Løsne batterikabelen fra monteringsporet, og trekk ut støpselet fra kantklipperen.

OPPSTART/STANS AV KANTKLIPPEREN (Fig. N)

For å starte opp

Skyv låsespaken til «ON»-posisjonen, skyv låsetungen fremover, og trykk deretter inn På/av-bryteren. På/av-bryteren har trinnløs hastighetsregulering. Jo lenger inn bryteren trykkes, jo høyere blir hastigheten.

N-1	Låsespake	N-3	På/av-bryter
N-2	Låsetunge		

For å stanse

Slipp ut På/av-bryteren, og skyv låseknappen tilbake til «OFF»-posisjonen.

⚠ ADVARSEL: Batterikoblingen må alltid trekkes ut av kontakten når du skal ta pauser og etter endt arbeid.

BRUK AV KANTKLIPPEREN

⚠ ADVARSEL: For å unngå alvorlige personskader skal det brukes brillor eller vernebriller hele tiden mens du bruker denne enheten. Bruk en ansiktsmaske eller støvmaske i støvete omgivelser.

Rydd arbeidsområdet før du bruker verktøyet. Fjern alle gjenstander som steiner, glasskår, spikre, ståltråd eller snorer som kan slynges bort eller vikle seg inn i skjæretilbehøret. Se til at området er fritt for barn, tilskuere og dyr. Som et minimum må alle barn, tilskuere og kjæledyr holdes på minst 15 meters avstand. Vær obs på at gjenstander som slynges ut, fremdeles kan representere en fare for tilskuere. Tilskuere bør oppmuntres til å bruke vernebriller. Hvis noen nærmer seg deg, må du stanse motoren og skjæretilbehøret umiddelbart.

Før hver bruk må du se etter skadede/slitte deler

Sjekk trimmerhodet, skjermen og sløyfehandtaget, og skift ut eventuelle deler som er sprukne, skjeve, bøyd eller skadet på annen måte.

Trådkuttingsbladet på kanten av skjermen kan bli sløvt over tid. Det anbefales at du med jevne mellomrom skjerper det med en fil eller bytter det ut med et nytt blad.

Kantklipperen skal rengjøres etter hver bruk.

⚠ FORSIKTIG: Dersom ventilasjonsåpningene blokkeres, vil dette hindre luft fra å komme inn i motorhuset og resultere i overoppheting av eller skade på motoren.

- Bruk bare mild såpe og en fuktig klut for å rengjøre verktøyet. La aldri væske trenge inn i verktøyet, og nedsenk aldri noen del av verktøyet i væske.
- Hold ventilasjonsåpningene i motorhuset fri for rusk til enhver tid.

⚠ ADVARSEL: Bruk aldri vann når du skal rengjøre kantklipperen. Unngå bruk av løsemidler når plastdeler skal rengjøres. De fleste plasttyper risikerer å ta skade av ulike typer kommersielle løsemidler. Bruk rene kluter til å fjerne smuss, støv, olje, fett osv.

JUSTERING AV TRÅDLENGDE

Trimmerhodet gjør at brukeren kan frigjøre mer tråd uten å stoppe motoren. Etter hvert som tråden blir frynset eller slitt, kan du frigi mer tråd ved å trykke støtknotten lett mot bakken under bruk av trimmeren (se fig. V).

MERK: Frigjøring av tråd blir vanskeligere hvis tråden blir for kort.

⚠ ADVARSEL: Ikke fjern eller endre det trådkuttende bladet. Hvis tråden er for lang, vil motoren bli overopphetet, og dette kan resultere i alvorlig personskade.

Bytte av tråd

MERK: Bruk alltid anbefalt type nylontråd med en diameter på maks. 3,0 mm. Bruk av andre trådtyper enn den som er spesifisert, kan føre til at kantklipperen blir overopphetet eller skadet.

⚠ ADVARSEL: Du må aldri bruke metallforsterket tråd, ståltråd, tau eller lignende, da disse kan gå i stykker og bli til farlige prosjektiler.

1. Fjern stikkkontakten fra kantklipperen.
2. Fjern gjenværende skjæretråd hvis nødvendig.
3. Skjær en skjæretråd på 8 m. Før tråden inn i monteringsåpningen i maljen (Fig. O1). Skyv og dra tråden fra den andre siden til det er like mye tråd på begge sider av spolen.
4. Trykk mens du dreier nedre deksel i pilens retning for å vikle tråden rundt spolen til det er ca. 14 cm tråd på hver side (Fig. O2).
5. Skyv nedre deksel ned samtidig som du drar i tråden for å få ut mer, og for å sjekke at trimmerhodet er riktig påsatt.

Hvis skjæretråden går i stykker der tråden kommer ut, eller den ikke utløses når du banker på trimmerhodet, gjør du følgende:

1. Trykk på utløserflikene på øvre deksel, og ta av nedre deksel ved å dra det rett ut (Fig. K1 og K2).
2. Fjern skjæretråden fra spoleholderen.
3. Mens den ene hånden holder øvre deksel, bruker du den andre til å ta tak i nedre deksel og justerer flikene på øvre deksel i forhold til hullene i det nedre (Fig. O3). Bruk håndflaten til å trykke og dreie på nedre deksel til flikene går i inngrep med øvre deksel.
4. Følg instruksjonene i "BYTTE TRÅD" for å sette skjæretråden på igjen.

VEDLIKEHOLD

⚠ ADVARSEL: I forbindelse med service må det bare brukes identiske reservedeler. Maskinen må etteres og vedlikeholdes regelmessig. For å sikre trygg og pålitelig bruk må alle reparasjoner utføres av en kvalifisert fagperson.

⚠ ADVARSEL: Batteridrevne verktøy trenger ikke å være tilkoblet et strømuttak for å fungere og er derfor alltid klare for bruk. For å unngå alvorlige personskader må du være ekstra forsiktig når du utfører vedlikehold eller service, og når du skal bytte skjæretilbehør eller annet tilbehør.

⚠ ADVARSEL: For å unngå alvorlig personskade må du trekke batterikoblingen ut av kontakten før du går i gang med service, rengjøring, bytte av tilbehør eller fjerning av materiale fra enheten.

SMØR GIRKASSEN

For best mulig drift og lenger levetid, smør girkassen med et spesialfett (4-5 g hver gang) etter hver 50. driftstime.

Spesialfettet må oppfylle følgende krav.

1. Tilhøre DIN51818: NLGI-1 penetrasjonsgrad.
2. Esterbasefett.
3. Utmerket lavtemperaturoppstart, EP, mekanisk skjæring, slitestyrke og oksidative stabilitetsegenskaper.
4. Driftstemperaturen må være -40~180 °C. Ta ut batteristøpset og tetningskruen. Smør girkassen gjennom ølgehullet.

⚠ ADVARSEL: Ikke smør mens krattklipperen fremdeles er i drift eller koblet til batteriet.

RENGJØRING AV ENHETEN

- Rengjør apparatet med en fuktig klut og et mildt rengjøringsmiddel.
- Ikke bruk kraftige rengjøringsmidler på plasthuset eller håndtaket. Disse delene kan bli skadet av enkelte aromatiske oljer, som furu og sitron, og av løsemidler som parafin. Fuktighet kan også medføre fare for elektrisk støt. Tørk av eventuell fuktighet med en myk og tørr klut.

OPPBEVARING AV VERKTØYET

- Trekk batterikoblingen ut av kontakten når kantklipperen ikke skal brukes.
- Rengjør verktøyet grundig før du setter det til oppbevaring.
- Oppbevar enheten på et tørt og godt ventilert sted, enten innelåst eller i høyden, slik at den ikke er tilgjengelig for barn. Ikke oppbevar enheten på eller like ved gjødsel, bensin eller andre kjemikalier.
- Bruk et transportdeksel for metallblader under transport og oppbevaring.

Beskytt miljøet



Elektrisk utstyr, batteriladere og batterier /
oppladbare batterier må ikke kastes i
husholdningsavfallet! Ta med dette
produktet til autorisert gjenvinning, og gjør
det tilgjengelig for separat innsamling.

Elektriske verktøy må returneres til et
egnet resirkuleringsanlegg.

NO

FEILSØKING

PROBLEM	ÅRSAK	LØSNING
Starter ikke	<ul style="list-style-type: none"> ■ Batteripakken er ikke festet til kantklipperen. ■ Ingen elektrisk kontakt mellom kantklipperen og batteriet. ■ Batteripakken er utladet. 	<ul style="list-style-type: none"> ■ Fest batteripakken til kantklipperen. ■ Sett batteripakken inn i den spesifiserte laderen. ■ Lad opp batteripakken.
Gress vikler seg rundt trimmerhodet og motorhuset	<ul style="list-style-type: none"> ■ Skjermen er ikke montert på kantklipperen, noe som resulterer i at tråden blir for lang, og at motoren blir overbelastet. ■ Tråden som brukes, er for tung. ■ Gress har viklet seg rundt motorakselen eller trimmerhodet. ■ Motoren er overbelastet. ■ Batteripakken eller kantklipperen er for varm. ■ Batteripakken er koblet fra verktøyet. ■ Batteripakken er utladet. 	<ul style="list-style-type: none"> ■ Trekk batterikoblingen ut av kontakten, og monter skjermen på kantklipperen. ■ Bruk anbefalt tråd av nylon med en diameter på maks. 3,0 mm. ■ Stans kantklipperen, ta ut batteriet og fjern gresset fra akselen og trimmerhodet. ■ Maskinen vil fungere normalt igjen når belastningen er fjernet. Ved kontinuerlig bruk bør belastningen på maskinen reduseres. ■ La batteripakken eller kantklipperen kjøle seg ned til temperaturen er kommet under 67 °C. ■ Plugg inn batteripakken igjen. ■ Lad opp batteripakken.
The cutting line can't be released.	<ul style="list-style-type: none"> ■ Motorakselen eller trimmerhodet er blokkert av gress ■ Det er ikke nok tråd i trimmerhodet. ■ Trimmerhodet er skittent. ■ Tråden har viklet seg opp i trimmerhodet ■ Tråden er for kort. 	<ul style="list-style-type: none"> ■ Stans kantklipperen, ta ut batteriet og fjern gresset fra motorakselen og trimmerhodet. ■ Ta ut batteriet, og skift ut tråden ved å følge anvisningene i avsnittet «BYTTE AV TRÅD» i denne håndboken. ■ Fjern batteriet og rengjør spolen samt nedre og øvre del av huset. ■ Ta ut batteriet, fjern tråden fra spolen og vikle den på på nytt; følg instruksjonen i avsnittet «BYTTE AV TRÅD» i denne bruksanvisningen. ■ Ta ut batteriet og trekk ut tråd ved vekselvis å trykke ned og slippe opp trimmerhodet.
Grass wraps around trimmer head and motor housing	<ul style="list-style-type: none"> ■ Du forsøker å klippe høyt gress på bakkenivå. 	<ul style="list-style-type: none"> ■ Klipp gresset i flere trinn ved å begynne på toppen og jobbe deg nedover mot bakken.

NO



GARANTI

EGOs GARANTIREGLER

Besøk nettsiden egopowerplus.com for å se fullstendige vilkår og betingelser for EGO-garantireglene.

NO

ПРОЧИТАЙТЕ ВСЕ ИНСТРУКЦИИ!



ПРОЧИТАЙТЕ РУКОВОДСТВО ПОЛЬЗОВАТЕЛЯ

⚠ ПРЕДУПРЕЖДЕНИЕ. Остаточный риск! Если вы используете такие электронные устройства, как кардиостимулятор, перед эксплуатацией данного устройства проконсультируйтесь с врачом. Использование электрооборудования в непосредственной близости от кардиостимулятора может привести к образованию помех и повреждению кардиостимулятора.



Предупреждение об опасности



Надевайте защитные очки. При работе с данным устройством всегда используйте защиту для глаз или защитные очки с боковыми щитками и полнопрофильную защитную маску.



Используйте средства защиты органов слуха. При использовании устройства всегда надевайте средства защиты органов слуха.



Используйте защитный головной убор. Используйте надежную каску для защиты головы.



Не используйте круглые режущие элементы.



Ширина. Макс. ширина резания триммера с леской



Убедитесь, что другие люди и животные находятся на расстоянии не менее 15 м от работающего устройства.



Гарантированный уровень звуковой мощности. Уровень шума в окружающей среде в соответствии с директивой ЕС.



Неисправные электрические устройства нельзя выбрасывать вместе с бытовым мусором. Сдавайте их в авторизованные пункты сбора и утилизации.

n_0

Скорость работы без нагрузки-Скорость вращения без нагрузки



Постоянный ток

СИМВОЛЫ БЕЗОПАСНОСТИ



ПРЕДУПРЕЖДЕНИЕ. В результате работы электроинструмента в глаза могут попасть посторонние предметы, что приведет к серьезному повреждению глаз. Перед началом использования электроинструмента всегда надевайте защитную маску или защитные очки с боковыми щитками и полнопрофильную защитную маску (при необходимости). Поверх очков или стандартных защитных очков рекомендуется надевать безопасную маску с широким обзором.



Прочитайте руководство по эксплуатации, чтобы уменьшить риск получения травм.



Используйте надежную обувь. При использовании устройства надевайте надежную нескользящую обувь.



Используйте защитные перчатки. При работе с режущим элементом и щитком надевайте защитные перчатки.



Остерегайтесь отдачи режущего элемента. Предупредите оператора об опасности отдачи режущего элемента.



Диаметр. Диаметр нейлоновой режущей лески.



Отброшенные предметы могут отскочить и привести к травмам или повреждению имущества. Убедитесь, что другие люди и животные находятся на расстоянии от работающего устройства.



Во время дождя не используйте устройство и не оставляйте его вне помещения.



Соответствует основным требованиям стандартов безопасности Европейских директив.

V

Напряжение

.../min В минуту

kg Килограмм

ТЕХНИЧЕСКИЕ ХАРАКТЕРИСТИКИ

Напряжение	56 В	
Скорость вращения без нагрузки	До 5800 об/мин	
Режущий механизм	Головка катушки	
Тип режущей лески	Нейлоновая крученая леска 3,0 мм	
Ширина резания	38 см	
Рекомендуемая рабочая температура	От 0 до 40 °С	
Рекомендуемая температура хранения	От -20 до 70 °С	
Оптимальная температура зарядки	От 5 до 40 °С	
Масса (без аккумулятора)	5,8 кг	
Измеренный уровень звуковой мощности L_{WA}	94,2 дБ(А) K=1,8 дБ(А)	
Уровень звукового давления на уши оператора L_{PA}	74,15 дБ(А) K=2,5 дБ(А)	
Гарантированный уровень звуковой мощности L_{WA} (измерен в соответствии с 2000/14/ЕС)	96 дБ(А)	
Значение вибрации a_v	Передняя вспомогательная рукоятка	3,2 м/с ² K=1,5 м/с ²
	Задняя рукоятка	2,3 м/с ² K=1,5 м/с ²

- Указанный общий показатель уровня вибрации был определен с помощью стандартного теста и может быть использован для сравнения разных инструментов.
- Указанный общий уровень вибрации может использоваться также для предварительной оценки уровня воздействия.

ПРИМЕЧАНИЕ. Реальное вибрационное воздействие электроинструмента может отличаться от указанного в зависимости от способа использования. В целях безопасности оператор должен надевать перчатки и средства защиты органов слуха во время использования устройства.

УПАКОВОЧНЫЙ ЛИСТ (Рис. А1)

ОПИСАНИЕ

ЧАСТИ ТРИММЕРА (Рис. А1)

1. Разъем
2. Переключатель блокировки
3. Ограничительное кольцо
4. Рукоятка-скоба
5. Режущая леска
6. Щиток в сборе
7. Вал
8. Курок
9. Задняя рукоятка
10. Головка триммера (катушки)
11. Фиксатор
12. Лезвие для обрезки лески
13. Защитное ограждение (только для головки кустореза)
14. Стопор защитного ограждения (только для головки кустореза)
15. Внешний фланец (только для головки кустореза)
16. Гайка (только для головки кустореза)
17. Винт
18. Шестигранный ключ

СБОРКА

⚠ ПРЕДУПРЕЖДЕНИЕ. Если какие-либо части повреждены или отсутствуют, не используйте устройство, пока они не будут установлены. Использование устройства в случае повреждения или отсутствия частей может привести к получению серьезной травмы.

⚠ ПРЕДУПРЕЖДЕНИЕ. Не пытайтесь изменить конструкцию данного изделия или создать не рекомендованные для него дополнительные принадлежности. Подобное изменение считается ненадлежащим использованием и способствует возникновению опасной ситуации, которая приведет к получению серьезной травмы.

⚠ ПРЕДУПРЕЖДЕНИЕ. Перед сборкой отсоедините разъем аккумулятора, чтобы предотвратить случайное включение инструмента и получение серьезной травмы.

⚠ ПРЕДУПРЕЖДЕНИЕ. Если инструмент оборудован головкой кустореза, необходимо установить защитное ограждение.

УСТАНОВКА ЩИТКА

⚠ ПРЕДУПРЕЖДЕНИЕ. Всегда надевайте перчатки при установке и демонтаже щитка. Остерегайтесь лезвия на щитке и берегите руки от порезов.

⚠ ПРЕДУПРЕЖДЕНИЕ... Никогда не используйте устройство без надежно установленного щитка. Щиток всегда должен быть установлен на устройстве для защиты пользователя! Не пытайтесь снимать или регулировать установленный щиток. Если щиток необходимо заменить, эту работу должен выполнить квалифицированный специалист по обслуживанию!

Открутите и удалите два винта из щитка (Рис. В), совместите крепежные отверстия щитка с отверстиями для установки, а затем зафиксируйте щиток на основании вала при помощи двух винтов и двух пружинных шайб (Рис. С).

⚠ ПРЕДУПРЕЖДЕНИЕ. Убедитесь, что щиток установлен так, как показано на Рис. В и С. Любое другое положение может быть очень опасным!

УСТАНОВКА И РЕГУЛИРОВКА РУКОЯТКИ-СКОБЫ

1. Остановите двигатель и отсоедините разъем аккумулятора.
2. Открутите барашковую гайку, чтобы отсоединить регулируемую рукоятку-скобу (Рис. D).

ПРИМЕЧАНИЕ. Если инструмент оборудован головкой кустореза, установите защитное ограждение на рукоятку-скобу с помощью двух винтов. Описание частей на Рис. D

D-1	Рукоятка-скоба	D-4	Защитное ограждение (только для головки кустореза)
D-2	Зажимной блок	D-5	Стопор
D-3	Барашковая гайка		

ПРИМЕЧАНИЕ. Существует два типа стопоров.

Короткий предназначен для головки триммера. Длинный — для головки кустореза. Будьте внимательны при выборе стопора перед использованием инструмента.

3. Установите рукоятку-скобу на вал перед ограничительным кольцом. Никогда не размещайте ее между ограничительным кольцом и задней рукояткой (Рис. E).

ПРИМЕЧАНИЕ. Отрегулируйте положение рукоятки-скобы между ограничительным кольцом и этикеткой, если инструмент оборудован головкой кустореза (Рис. F).

4. Вставьте зажим в углубление рукоятки (Рис. G).
5. Установите стопор и предварительно затяните при помощи барашковой гайки. Убедитесь, что рукоятка-скоба расположена вертикально и направлена к верхней части задней рукоятки (Рис. H).
6. Отрегулируйте положение рукоятки-скобы между ограничительным кольцом и этикеткой таким образом, чтобы было удобно использовать триммер.
7. Заблокируйте рычаг стопора (Рис. I).

⚠ ПРЕДУПРЕЖДЕНИЕ... Никогда не используйте устройство без надежно установленной рукоятки-скобы.

⚠ ПРЕДУПРЕЖДЕНИЕ. Фиксируйте рукоятку-скобу только между ограничительным кольцом и этикеткой.

ЗАМЕНА РЕЖУЩЕЙ ГОЛОВКИ НА РЕЖУЩИЙ ЭЛЕМЕНТ С ТРЕМЯ ЗУБЦАМИ

1. Отсоедините от триммера кабель питания.
2. Поверните головку триммера таким образом, чтобы совместить отверстие фланца с отверстием блокировки вала на корпусе редуктора, и вставьте фиксатор в совмещенные отверстия (Рис. J).
3. Поверните головку триммера по часовой стрелке, чтобы снять ее (Рис. J).
4. Чтобы снять защитный элемент, открутите три винта с шайбами (Рис. K3).

ПРИМЕЧАНИЕ. Во избежание травм обязательно надевайте перчатки перед выполнением каких-либо действий с режущим элементом с тремя зубцами.

5. Установите на место внутренний фланец и крышку фланца (Рис. L1).
6. Установите режущий элемент на вал двигателя и убедитесь, что поверхность режущего элемента плотно прилегает к выпуклой части внутреннего фланца. Установите внешний фланец и гайку (Рис. L2). Предварительно затяните гайку ПРОТИВ ЧАСОВОЙ СТРЕЛКИ вручну.
7. Положите корпус редуктора на твердую поверхность для опоры. Одной рукой удерживайте вал кустореза, а другой рукой при помощи прилагаемого многофункционального гаечного ключа затяните гайку в направлении, указанном стрелкой на внешнем фланце (Рис. L3).

ИСПОЛЬЗОВАНИЕ

⚠ ПРЕДУПРЕЖДЕНИЕ. Не допускайте небрежности и беспечности при работе с устройством. Помните, что потери бдительности на долю секунды достаточно для получения серьезной травмы.

⚠ ПРЕДУПРЕЖДЕНИЕ. Всегда надевайте защитные очки, а также используйте защиту органов слуха. В противном случае выбрасываемые предметы попадут в глаза, что может привести к получению серьезной травмы.

⚠ ПРЕДУПРЕЖДЕНИЕ. Не используйте насадки или дополнительные приспособления, не рекомендованные производителем устройства. Использование нерекондованных насадок и дополнительных приспособлений может привести к серьезным травмам.

⚠ ПРЕДУПРЕЖДЕНИЕ. Чтобы предотвратить получение серьезных травм, отсоединяйте разъем аккумулятора перед выполнением сервисного обслуживания, очистки, замены принадлежностей или удаления материала из устройства.

Данное устройство можно использовать в следующих целях.

Скашивание: используется для удаления травы и сорняков рядом со стенами, заборами, деревьями и бордюрами.

Срезание: используется для скашивания травы, которую трудно достать при помощи обычной газонокосилки.

ПРИМЕЧАНИЕ. Инструмент должен использоваться только по назначению. Любое другое использование (например, обрезка кустов) считается ненадлежащим.

УСТАНОВКА И ДЕМОНТАЖ КАБЕЛЯ АККУМУЛЯТОРА

Используйте только аккумуляторы и зарядные устройства, указанные на рис. А2.

Перед первым использованием полностью зарядите аккумулятор.

Подключение кабеля аккумулятора (Рис. М)

Совместите символ ▲ на вилке с символом ▲ на триммере. Вставьте вилку таким образом, чтобы зеленое уплотнение полностью исчезло в разъеме.

Извлечение

Освободите кабель из монтажного паза и извлеките вилку из разъема триммера.

ВКЛЮЧЕНИЕ И ВЫКЛЮЧЕНИЕ ТРИММЕРА С ЛЕСКОЙ (Рис. N)

Включение

Переведите переключатель блокировки в положение «ON» (ВКЛ), сдвиньте запорный язычок вперед и нажмите на курок. Курок позволяет плавно регулировать скорость. Чем сильнее нажатие на курок, тем выше скорость.

N-1	Переключатель блокировки	N-3	Курковый переключатель (курок)
N-2	Запорный язычок		

Выключение

Отпустите курок и переместите переключатель блокировки в положение «OFF» (ВЫКЛ).

⚠ ПРЕДУПРЕЖДЕНИЕ. Во время перерывов в работе и после ее окончания всегда отсоединяйте разъем аккумулятора.

ИСПОЛЬЗОВАНИЕ ТРИММЕРА С ЛЕСКОЙ

⚠ ПРЕДУПРЕЖДЕНИЕ. Во избежание травм всегда надевайте защитные очки при работе с данным устройством. Надевайте маску или респиратор при работе в пыльной среде.

Очищайте обрабатываемый участок перед каждым использованием инструмента. Удалите такие предметы, как камни, осколки стекла, гвозди, проволоку или веревки, которые могут запутаться в режущем приспособлении или которые оно может отбросить. На участке не должны находиться дети, прохожие и животные. Дети, прохожие и животные должны находиться на расстоянии не менее 15 м, так как во время работы могут отлетать предметы. Посторонние лица должны надевать защитные очки. В случае приближения посторонних лиц немедленно остановите двигатель и режущее приспособление.

Перед каждым использованием проверяйте устройство на наличие поврежденных и изношенных частей.

Проверьте головку катушки, щиток и рукоятку-скобу и замените треснувшие, деформированные, изогнутые или поврежденные части.

Лезвие для обрезки лески на краю щитка может время от времени затупляться. Рекомендуется периодически затачивать его напильником или заменять новым.

Очищайте триммер после каждого использования.

⚠ ВНИМАНИЕ! Загрязнения в вентиляционных отверстиях могут помешать попаданию воздуха в корпус двигателя и привести к перегреву и повреждению двигателя.

- Для очистки устройства используйте только слабый мыльный раствор и влажную ткань. Никогда не допускайте попадания какой-либо жидкости внутрь инструмента и никогда не погружайте никакие части инструмента в жидкость.
- Следите за тем, чтобы вентиляционные отверстия на корпусе двигателя всегда были чистыми.

⚠ ПРЕДУПРЕЖДЕНИЕ. Никогда не используйте воду для очистки триммера. Не используйте растворители для очистки пластиковых частей. Большинство пластиковых частей чувствительны к различным бытовым растворителям. Для очистки от грязи, пыли, масла, смазки и т. п. используйте чистую ткань.

РЕГУЛИРОВКА ДЛИНЫ РЕЖУЩЕЙ ЛЕСКИ

Режущая головка позволяет оператору вытянуть дополнительное количество лески, не выключая двигатель. Если леска износилась во время использования, слегка прижмите фиксатор катушки к земле, чтобы вытянуть дополнительную леску (Рис. V).

ПРИМЕЧАНИЕ. Вытягивание лески становится сложнее по мере ее укорачивания.

⚠ ПРЕДУПРЕЖДЕНИЕ Не демонтируйте и не изменяйте узел лезвия для обрезки лески. Слишком длинная леска может стать причиной перегрева двигателя и серьезных травм.

Замена лески

ПРИМЕЧАНИЕ. Всегда используйте рекомендованную нейлоновую режущую леску диаметром не более 3,0 мм. Использование лески, не отвечающей техническим характеристикам устройства, может привести к перегреву или повреждению триммера.

⚠ ПРЕДУПРЕЖДЕНИЕ. Никогда не используйте усиленную металлом леску, проволоку, веревку и т. д. Части этих материалов могут отделяться и опасно разлетаться в стороны.

1. Отсоедините от триммера кабель питания.
2. При необходимости извлеките оставшуюся леску.
3. Отрежьте 8 м лески и вставьте ее в крепежное отверстие внутри ушка (Рис. O1). Проденьте и вытяните леску с другой стороны таким образом, чтобы с обеих сторон катушки леска была одинаковой длины.

4. Прижмите нижнюю крышку и вращайте ее в направлении, указанном стрелкой, чтобы наматывать леску на катушку, оставив приблизительно по 14 см с каждой стороны (Рис. O2).
5. Прижмите нижнюю крышку и одновременно вытяните обе лески, чтобы вручную отрегулировать длину и проверить правильность сборки головки триммера.

Если режущая леска выскочила из отверстия или не вытягивается при нажатии на головку триммера, следуйте инструкциям ниже.

1. Нажмите на фиксаторы на верхней крышке и потяните нижнюю крышку, чтобы снять (Рис. K1 и K2).
2. Извлеките режущую леску из катушки.
3. Одной рукой удерживайте нижнюю крышку, а другой рукой возьмитесь за нижнюю крышку и совместите выступы на верхней крышке с отверстиями на нижней крышке (Рис. O3). Прижмите нижнюю крышку ладонью, чтобы выступы зафиксировались на месте.
4. Инструкции по установке режущей лески см. в разделе «ЗАМЕНА ЛЕСКИ».

ОБСЛУЖИВАНИЕ

⚠ ПРЕДУПРЕЖДЕНИЕ. При ремонте используйте только идентичные запасные части. Регулярно проверяйте устройство и выполняйте его обслуживание. Для обеспечения безопасности и надежности устройства его ремонт должен выполнять квалифицированный специалист.

⚠ ПРЕДУПРЕЖДЕНИЕ. Работающие от аккумуляторов инструменты не требуются подключать к розетке электросети, поэтому они всегда готовы к использованию. Чтобы предотвратить получение серьезных травм, будьте особо осторожны и внимательны при выполнении технического обслуживания, ремонта или замене режущих или других приспособлений.

⚠ ПРЕДУПРЕЖДЕНИЕ. Чтобы предотвратить получение серьезных травм, отсоединяйте разъем аккумулятора перед выполнением сервисного обслуживания, очистки, замены принадлежностей или удаления материала из устройства.

СМАЗКА РЕДУКТОРА

Для обеспечения наилучшей производительности и увеличения срока службы смазывайте редуктор специальной смазкой (4–5 г при каждом смазывании) через каждые 50 часов использования.

Специальная смазка должна соответствовать следующим требованиям.

1. Соответствие стандарту DIN51818: степень конусной пенетрации NLGI-1.
2. Смазка на основе эфира.
3. Отличные показатели низкотемпературного запуска, противозадирные свойства, устойчивость к механическому разрушению, истиранию и окислению.
4. Рабочая температура должна находиться в пределах от -40 до 180 °С. Извлеките разъем аккумулятора и уплотнительный винт. Смажьте редуктор через маслосливное отверстие.

⚠ ПРЕДУПРЕЖДЕНИЕ. Не выполняйте смазку кустореза, если он работает или к нему подключен аккумулятор.

ОЧИСТКА УСТРОЙСТВА

- Очистите устройство с помощью влажной ткани и мягкого моющего средства.
- Не используйте активные моющие средства для очистки пластикового корпуса или рукоятки. Они могут быть повреждены определенными ароматическими маслами, такими как хвойное и лимонное масла, а также растворителями, например керосином. Кроме того, наличие влаги может привести к поражению электрическим током. Протрите влажное место мягкой сухой тканью.

ХРАНЕНИЕ УСТРОЙСТВА

- Отсоедините разъем аккумулятора от триммера, если он не используется.
- Тщательно очистите устройство перед хранением.
- Храните устройство в сухом, хорошо проветриваемом, закрытом или высоком месте, недоступном для детей. Не храните устройство рядом с удобрениями, бензином или другими химическими веществами.
- Используйте транспортировочный чехол для металлических ножей во время транспортировки и хранения.

Защита окружающей среды



Не выбрасывайте электроприборы, зарядные устройства и аккумуляторные батареи вместе с бытовыми отходами! Отправьте данное изделие на переработку в специализированное предприятие или сдайте его для раздельного сбора. Электронные инструменты должны быть возвращены на перерабатывающее предприятие, не наносящее ущерба окружающей среде.

УСТРАНЕНИЕ НЕИСПРАВНОСТЕЙ

ПРОБЛЕМА	ПРИЧИНА	РЕШЕНИЕ
Устройство не запускается.	<ul style="list-style-type: none"> ■ Аккумулятор не подключен к триммеру. ■ Нет электрического контакта между триммером и аккумулятором. ■ Аккумулятор разряжен. 	<ul style="list-style-type: none"> ■ Подключите аккумулятор к триммеру. ■ Заряжайте аккумулятор только с помощью указанного зарядного устройства. ■ Зарядите аккумулятор.
Устройство прекратило работу.	<ul style="list-style-type: none"> ■ Щиток не установлен на триммер, в результате чего леска стала очень длинной, и двигатель перегрелся. ■ Используется слишком толстая режущая леска. ■ На вал двигателя и головку триммера намоталась трава. ■ Двигатель перегружен. ■ Аккумулятор или триммер перегрелись. ■ Разъем аккумулятора не подключен к устройству. ■ Аккумулятор разряжен. 	<ul style="list-style-type: none"> ■ Отсоедините разъем аккумулятора и установите щиток на триммер. ■ Используйте рекомендуемую нейлоновую режущую леску диаметром не более 3,0 мм. ■ Выключите триммер, извлеките аккумулятор и удалите траву из вала двигателя и головки триммера. ■ Устройство начнет работать снова, как только нагрузка уменьшится. При длительной работе снизьте нагрузку на устройство. ■ Дайте аккумулятору или триммеру остыть, пока температура не упадет ниже 67 °С. ■ Снова подключите разъем. ■ Зарядите аккумулятор.
Не удается вытянуть леску.	<ul style="list-style-type: none"> ■ На вал двигателя и головку триммера намоталась трава. ■ Недостаточно лески в головке триммера. ■ Головка триммера загрязнена. ■ Леска запуталась в головке триммера. ■ Леска слишком короткая. 	<ul style="list-style-type: none"> ■ Выключите триммер, извлеките аккумулятор и удалите траву из вала двигателя и головки триммера. ■ Извлеките аккумулятор и замените режущую леску в соответствии с инструкциями в разделе «ЗАМЕНА ЛЕСКИ» данного руководства. ■ Извлеките аккумулятор и очистите нижнюю крышку в сборе, катушку и верхнюю крышку. ■ Извлеките аккумулятор, снимите леску с катушки и намотайте ее заново в соответствии с инструкциями в разделе «ЗАМЕНА ЛЕСКИ» данного руководства. ■ Извлеките аккумулятор и вытяните леску, нажимая на фиксатор катушки и освобождая головку триммера.

ПРОБЛЕМА	ПРИЧИНА	РЕШЕНИЕ
Трава намоталась на головку триммера и корпус двигателя.	<ul style="list-style-type: none">■ Стрижка высокой травы на уровне земли.	<ul style="list-style-type: none">■ Срезайте сорняки в несколько приемов сверху вниз до уровня земли.

ГАРАНТИЯ

ГАРАНТИЙНАЯ ПОЛИТИКА EGO

Посетите веб-сайт egopowerplus.com, чтобы ознакомиться со всеми условиями и сроками гарантийной политики EGO.

PRZECZYTAJ WSZYSTKIE INSTRUKCJE!



PRZECZYTAJ INSTRUKCJĘ OBSŁUGI

⚠ OSTRZEŻENIE: Ryzyko resztkowe! Osoby z urządzeniami elektronicznymi, takimi jak rozruszniki serca, powinny przed użyciem produktu skonsultować się ze swoim(i) lekarzem/-ami. Używanie urządzeń elektronicznych blisko rozrusznika serca może spowodować zakłócenia lub uszkodzić rozrusznik.



Ostrzeżenie dotyczące bezpieczeństwa



Noś okulary ochronne – Podczas używania produktu należy zawsze nosić okulary ochronne lub okulary ochronne z osłonami bocznymi, a także pełną osłonę na twarz.



Noś ochronniki słuchu – Podczas pracy urządzeniem należy zawsze nosić ochronniki słuchu.



Noś kask ochronny – Aby chronić głowę, należy nosić atestowany kask ochronny.



Nie należy montować okrągłych tarcz tnących.



Szerokość – Maks. szerokość koszenia podkaszarką



Należy zawsze pilnować, aby inni ludzie i zwierzęta domowe pozostawali w odległości co najmniej 15 m od pracującej podkaszarki.



Gwarantowany poziom mocy akustycznej. Emisja hałasu do środowiska zgodnie z dyrektywą Wspólnoty Europejskiej.



Zużytych wyrobów elektrycznych nie należy wyrzucać razem ze zwykłymi odpadami domowymi. Należy je oddać do autoryzowanego punktu recyklingu.

n_0

Prędkość bez obciążenia-Prędkość obrotowa bez obciążenia



Prąd stały

SYMBOLE BEZPIECZEŃSTWA

⚠ OSTRZEŻENIE: Praca elektronarzędziami może spowodować wyrzucenie ciał obcych w oczy użytkownika, co może doprowadzić do poważnych urazów oczu. Przed rozpoczęciem pracy elektronarzędziem należy zawsze założyć okulary ochronne lub okulary z osłonami bocznymi, a w stosownych przypadkach także pełną osłonę na twarz. Zalecamy nakładanie na zwykłe okulary maski zabezpieczającej o szerokim polu widzenia lub stosowanie standardowych okularów zabezpieczających z osłonami bocznymi.



Aby ograniczyć ryzyko urazów, użytkownik musi przeczytać instrukcję operatora.



Noś obuwie ochronne – Podczas używania urządzenia należy nosić obuwie ochronne z podeszwami antypoślizgowymi.



Noś rękawice ochronne – Na czas prac przy ostrzu i osłonie ostrza należy zabezpieczyć ręce rękawicami.



Uwaga na możliwość odbicia ostrza – Operatora należy ostrzec o ryzyku związanym z szarpnięciem ostrza.



Średnica – Średnica nylonowej żyłki tnącej



Przedmioty wyrzucone w powietrze mogą odbić się rykoszetem i doprowadzić do urazów lub strat materialnych. Należy zawsze pilnować, aby inni ludzie oraz zwierzęta domowe pozostawali w z dala od pracującej kosi do zarośli.



Nie należy używać w deszczu, nie zostawiać na dworze podczas deszczu.



Ten produkt jest zgodny z obowiązującymi dyrektywami WE.

V Napięcie

.../min Na minutę

kg Kilogram

PL

SPECYFIKACJA

Napięcie	56 B ---	
Prędkość bez obciążenia	Do 5800 obr./min	
Mechanizm tnący	Głowica-uderzak	
Typ żyłki do koszenia	Żyłka nylonowa 3,0 mm	
Szerokość koszenia	38 cm	
Zalecana temperatura użytkowania	От 0 до 40 °C	
Zalecana temperatura przechowywania	От -20 до 70 °C	
Optymalna temperatura ładowania	От 5 до 40 °C	
Ciężar (bez akumulatora)	5,8 кг	
Zmierzony poziom mocy akustycznej L_{WA}	94,2 dB(A) K=1,8 dB(A)	
Poziom ciśnienia akustycznego przy uchu operatora L_{PA}	74,15 dB(A) K=2,5 dB(A)	
Gwarantowany poziom mocy akustycznej L_{WA} (zmierzony zgodnie z dyrektywą 2000/14/WE)	96 dB(A)	
Szacunkowe drgania a_n	Przedni uchwyt pomocniczy	3,2 m/s ² K=1,5 m/s ²
	Uchwyt tylny	2,3 m/s ² K=1,5 m/s ²

- Deklarowana całkowita wartość drgań została zmierzona zgodnie ze standardowymi metodami testowania i może służyć do porównywania różnych narzędzi.
- Deklarowana całkowita wartość drgań może również służyć do wstępnej oceny narażenia na drgania.

UWAGA: W zależności od sposobu eksploatacji, emisja wibracji podczas faktycznego użytkowania elektronarzędzia może się różnić od wartości deklarowanej. Aby chronić operatora, w rzeczywistych warunkach użytkowania użytkownik powinien nosić rękawice i nauszники ochronne.

LISTA ELEMENTÓW W OPAKOWANIU

(Rys. A1)

OPIS

ZAPOZNANIE SIĘ Z PODKASZARKĄ (rys. A1)

1. Gniazdo wtykowe

2. Dźwignia odblokowująca
3. Pierścień progowy
4. Uchwyt pomocniczy
5. Żyłka tnąca
6. Osłona (zespoł)
7. Trzonek
8. Spust
9. Uchwyt tylny
10. Głowica podkaszarki (głowica-uderzak)
11. Zaczep odblokowujący
12. Ostrze do przycinania żyłki
13. Pałak zabezpieczający (tylko do głowicy kosy do zarośli)
14. Otwór blokujący na pałak zabezpieczający (tylko do głowicy kosy do zarośli)
15. Kołnierzyk zewnętrzny (tylko do głowicy kosy do zarośli)
16. Nakrętka (tylko do głowicy kosy do zarośli)
17. Śruba
18. Klucz imbusowy

MONTAŻ

⚠ OSTRZEŻENIE: W przypadku braku lub uszkodzenia którejś z części nie należy uruchamiać urządzenia aż do momentu wymiany lub naprawy części. Używanie urządzenia z uszkodzonymi lub brakującymi częściami może doprowadzić do poważnych urazów ciała.

⚠ OSTRZEŻENIE: Nie należy próbować przerabiać urządzenia lub tworzyć akcesoriów, które nie są zalecane do używania w podkaszarce. Wszelkie tego typu zmiany lub modyfikacje są niedozwolone i mogą prowadzić do niebezpiecznych sytuacji oraz poważnych urazów ciała.

⚠ OSTRZEŻENIE: Aby zapobiec przypadkowemu włączeniu, które mogłoby spowodować urazy ciała, na czas mocowania części w urządzeniu należy zawsze odłączyć akumulator.

⚠ OSTRZEŻENIE: Jeśli narzędzie jest wyposażone w głowicę do koszenia zarośli, na osłonie należy zamontować pałak zabezpieczający.

MONTAŻ OSŁONY

⚠ OSTRZEŻENIE: Podczas zakładania lub wymienia osłony należy zawsze mieć założone rękawice. Należy uważać na ostrze na osłonie – ryzyko skaleczenia dłoni.

⚠ OSTRZEŻENIE: Nigdy nie należy włączać narzędzia bez mocno założonej osłony. Osłona musi być zawsze założona na narzędzie, aby chronić użytkownika! Jeśli osłona jest założona, nie należy nigdy próbować jej zdejmować lub regulować. Jeśli potrzebna jest wymiana, powinien ją przeprowadzić wykwalifikowany technik!

Należy poluzować i wykręcić 2 śruby z osłony (rys. B). Dopasować otwory montażowe do otworów w zespole i zablokować osłonę na podstawie trzonka 2 śrubami z 2 podkładkami sprężynującymi (rys. C).

⚠ OSTRZEŻENIE: Upewnić się, że osłona jest zamocowana zgodnie z rys. B i C, jakiegokolwiek rodzaju montaż odwrotną stroną stanowi poważne zagrożenie!

MOCOWANIE I REGULACJA UCHWYTU POMOCNICZEGO

- Wyłączyć silnik i odłączyć akumulator, o ile jest założony.
- Poluzować pokrętkę motylkowe, aby oddzielić regulowany uchwyt pomocniczy (rys. D).

UWAGA: Zainstalować pałąk zabezpieczający na uchwyt dwiema śrubami, gdy narzędzie jest wyposażone w głowicę do koszenia zarośli.

Rys. D – opis części patrz poniżej:

D-1	Uchwyt	D-4	Pałąk zabezpieczający (tylko do głowicy do koszenia zarośli)
D-2	Blok zaciskowy	D-5	Bolec blokujący
D-3	Nakrętka motylkowa		

UWAGA: Są dwa rodzaje bolców blokujących, krótszy jest przeznaczony do głowicy tnącej. Dłuższy bolec służy do głowicy do koszenia zarośli. Podczas używania narzędzia należy uważać przy wyborze prawidłowego bolca blokującego.

- Wcisnąć uchwyt na trzonek z przodu pierścienia progowego. Nigdy nie należy wkładać go między pierścień progowy a okolice tyłu uchwytu (rys. E).

UWAGA: Wyregulować przedni uchwyt pomocniczy między pierścieniem progowym a etykietą w taki sposób, aby przednie ramię użytkownika było podczas pracy wyprostowane (rys. F).

- Włożyć blok zaciskowy w szczelinę uchwytu (Rys. G).
- Zamontować bolec blokujący i wstępnie dokręcić go nakrętką motylkową. Dopiłnować, aby uchwyt pomocniczy był skierowany do góry i w stronę górnej części uchwytu tylnego (Rys. H).

- Wyregulować przedni uchwyt pomocniczy między pierścieniem progowym a etykietą w taki sposób, aby znaleźć wygodną pozycję podczas używania podkaszarki.

- Zablokować dźwignię bolca blokującego (Rys. I).

⚠ OSTRZEŻENIE: Nigdy nie należy włączać narzędzia bez mocno założonego uchwytu pomocniczego.

⚠ OSTRZEŻENIE: Uchwyt pomocniczy należy mocować tylko między pierścieniem progowym a etykietą.

WYMIANA GŁOWICY TNĄCEJ NA OSTRZE Z 3 ZĘBAMI

- Wyjąć wtyczkę z podkaszarki.
- Obrócić głowicę podkaszarki tak, aby szczelinę w kołnierzu dopasować do otworu blokującego wałek blokujący w obudowie przekładni i włożyć w otwór stabilizator (Rys. J).
- Obrócić głowicę podkaszarki w prawo (zgodnie z kierunkiem ruchu wskazówek zegara), aby go wyjąć (Rys. J).
- Zdemontować osprzęt osłony – dokręcić trzy śruby z podkładkami (Rys. K3).

UWAGA: Aby nie dopuścić do urazów, przed rozpoczęciem pracy przy ostrzu z 3 zębami należy założyć rękawice.

- Zamocować na miejsce kołnierz wewnętrzny i pokrywę kołnierza (rys. L1).
- Zamocować ostrze na wałku silnika, dopilnować, aby powierzchnia ostrza znalazła się na jednej wysokości z powierzchnią wybrzuszenia kołnierza wewnętrznego. Założyć kołnierz zewnętrzny i nakrętkę (rys. L2). Wstępnie dokręcić nakrętkę ręką W LEWÓ (PRZECIWNIE DO KIERUNKU RUCHU WSKAZÓWEK ZEGARA).
- Położyć i oprzeć obudowę przekładni na solidnej powierzchni. Jedną ręką przytrzymać trzonek kosi do zarośli, a drugą chwycić klucz wielofunkcyjny i dokręcić nim nakrętkę w kierunku zaznaczonym strzałką na kołnierzu zewnętrznym (Rys. L3).

UŻYTKOWANIE

⚠ OSTRZEŻENIE: Nie wolno dopuścić do tego, aby znajomość narzędzia doprowadziła do nieuwagi. Należy pamiętać, że do spowodowania poważnych obrażeń wystarczy zaledwie chwila nieuwagi.

⚠ OSTRZEŻENIE: Należy zawsze nosić środki ochrony oczu i uszu. Nieprzestrzeżenie tego zalecenia może doprowadzić do poważnych obrażeń oczu odłamkiem lub skrawkiem materiału wyrzuconym przez pracujące narzędzie, a także grozi innymi możliwymi urazami.

⚠ OSTRZEŻENIE: Nie należy używać końcówek lub akcesoriów innych niż zalecane przez producenta produktu. Używanie końcówek lub akcesoriów innych niż zalecane może doprowadzić do poważnych obrażeń.

⚠ OSTRZEŻENIE: Aby uniknąć poważnych obrażeń ciała, przed serwisowaniem, czyszczeniem, wymianą osprzętu dodatkowego oraz usuwaniem materiału z urządzenia należy zawsze odłączać akumulator.

Urządzenia można używać wyłącznie do celów podanych poniżej:

Podkaszanie: usuwanie trawy i chwastów przy ścianach, płotach, drzewach i na brzegach.

Koszenie: koszenie trawy w miejscach trudno dostępnych dla zwykłej kosiarki.

UWAGA: Narzędzia należy używać tylko do celów zgodnych z przeznaczeniem. Wszelkie inne zastosowania, np. przycinanie żywopłotów, uznaje się za niezgodne z przeznaczeniem.

PL

PODŁĄCZANIE/ODŁĄCZANIE PRZEWODU AKUMULATORA

W urządzeniu należy używać wyłącznie akumulatorów i ładowarek podanych na rys. A2.

Naładować przed pierwszym użyciem.

Instalowanie przewodu akumulatora (rys. M)

Dopasować do siebie oznaczenia ▲ na wtyczce i ▲ na podkaszarce. Włożyć wtyczkę do narzędzia tak, aby zielona uszczelka całkowicie schowała się w gnieździe wtykowym.

Wymowianie

Należy wyjąć przewód akumulatora z rowka mocującego i wyjąć wtyczkę z gniazda w podkaszarce.

WŁĄCZANIE/WYŁĄCZANIE PODKASZARKI (rys. N)

Włączanie

Należy przestawić dźwignię odblokowującą w pozycję „WŁ.” i nacisnąć tylną dźwignię przelączającą. Przelącznik spustowy ma bezstopniową regulację prędkości. Im mocniej naciska się spust, tym wyższa jest prędkość.

N-1	Dźwignia odblokowująca	N-3	Przelącznik spustowy
N-2	Blokada		

Wyłączanie

Zwołnić przelącznik spustowy i przestawić przelącznik odblokowujący z powrotem w pozycję „WYŁ.”.

⚠ OSTRZEŻENIE: W czasie przerw w pracy i po zakończeniu pracy należy zawsze odłączać akumulator od narzędzia.

UŻYWANIE PODKASZARKI

⚠ OSTRZEŻENIE: Aby uniknąć poważnych obrażeń ciała, podczas używania narzędzia należy zawsze nosić gogle lub okulary ochronne. Podczas pracy przy silnym zapyleniu należy nosić osłonę na twarz lub maskę przeciwpyłową.

Przed każdym użyciem narzędzia należy uprzątnąć teren pracy. Usunąć wszystkie przedmioty takie jak kamienie, pośluzzone szkło, gwoździe, kawałki drutu lub sznurka itp., które mogą zostać wyrzucone w powietrze lub mogą zaplątać się w końcówkę tnącą. Z terenu, który ma zostać skoszony wyprosić dzieci i osoby postronne oraz wygonić zwierzęta. Jako minimum dzieci i osoby postronne oraz zwierzęta muszą znajdować się w odległości 15 m, jednak taka odległość nadal nie eliminuje całkowicie ryzyka trafienia wyrzucenymi w powietrze przedmiotami. Osoby postronne należy zachęcać do noszenia okularów ochronnych. Jeśli do użytkownika zbliży się jakaś osoba, należy natychmiast wyłączyć silnik i zatrzymać końcówkę tnącą.

Przed każdym użyciem należy sprawdzić, czy jakieś części nie są uszkodzone lub zużyte.

Należy skontrolować głowicę-uderzak, osłonę i uchwyt oraz wymienić części pęknięte, wypaczone, skrzywione lub uszkodzone w jakikolwiek sposób.

Ostrze do żyłki tnącej na krawędzi osłony może się z czasem stępić. Zaleca się je okresowo ostrzyć pilnikiem lub wymieniać na nowe.

Po każdym użyciu należy wyczyścić podkaszarkę.

⚠ UWAGA: Zanieczyszczenia w otworach wentylacyjnych uniemożliwiają dopływ powietrza do obudowy silnika i w efekcie prowadzą do przegrzania się i uszkodzenia silnika.

- Do czyszczenia narzędzia należy używać wyłącznie łagodnego mydła i wilgotnej ściereczki. Do środka urządzenia nie mogą się dostać żadne płyny, nie wolno też zanurzać części urządzenia w jakiegokolwiek cieczy.
- Otwory wentylacyjne w obudowie silnika nie mogą być nigdy zabrudzone.

⚠ OSTRZEŻENIE: Do czyszczenia nożyc nigdy nie należy używać wody. Podczas czyszczenia części plastikowych należy unikać używania rozpuszczalników. Pod wpływem działania różnego rodzaju dostępnych w handlu rozpuszczalników większość tworzyw sztucznych ulega uszkodzeniu. Do usuwania zabrudzeń, kurzu, oleju, smaru itp. należy używać czystych ściereczek.

REGULACJA DŁUGOŚCI ŻYŁKI TNAČEJ

Głowica tnąca pozwala operatorowi wysuwać więcej żyłki tnącej bez wyłączania silnika. Żyłka strzępi się i zużywa, dodatkową żyłkę można wysunąć lekko uderzając głowicą w ziemię w czasie, gdy podkaszarka pracuje (Rys. V).

UWAGA: Im krótsza żyłka, tym trudniejsze jest jej wysuwanie.

⚠ OSTRZEŻENIE: Nie należy demontować lub przerabiać zespołu ostrza do żyłki. Zbyt długa żyłka prowadzi do przegrzewania się silnika i może spowodować poważne urazy ciała.

Wymiana żyłki

UWAGA: Należy zawsze używać nylonowej żyłki tnącej zalecanego typu, o średnicy nieprzekraczającej 3,0 mm. Używanie żyłki innego typu może prowadzić do przegrzewania się podkaszarki i spowodować jej uszkodzenie.

⚠ OSTRZEŻENIE: Nigdy nie należy używać żyłek wzmocnionych metalem, drutów, sznurków itp. Mogą się one ułamać i zmienić w niebezpieczne pociski.

1. Wyjąć wtyczkę z podkaszarki.
2. Jeśli jest to konieczne, wyjąć pozostałą żyłkę tnącą.
3. Odciąć 8 m żyłki tnącej. Włożyć żyłkę do otworu mocującego w środku przelotki (Rys. O1). Wcisnąć żyłkę i wyciągnąć ją z drugiej strony, tak aby po obu stronach szpulki znajdowało się tyle samo żyłki.
4. Obracać osłonę dolną w kierunku zaznaczonym strzałką i nacisnąć ją, aby nawinąć żyłkę na szpulę tak, aby po obu stronach widać było około 14 cm żyłki (Rys. O2).
5. Nacisnąć osłonę mocującą szpuli w dół i jednocześnie pociągnąć żyłki, aby je ręcznie wysunąć, sprawdzić prawidłowe złożenie głowicy podkaszarki.

Gdy żyłka tnąca urwie się na wylocie żyłki lub gdy żyłka tnąca nie wysuwa się z głowicy podkaszarki pod wpływem uderzenia głowicą o ziemię, należy wówczas wykonać następujące kroki:

1. Wcisnąć zaczepy odblokowujące w osłonie dolnej i zdjąć osłonę (Rys. K1 i K2).
2. Wyjąć żyłkę tnącą ze szpuli.

3. Jedną ręką przytrzymać osłonę dolną, a drugą chwycić osłonę dolną i dopasować zaczepy w osłonie górnej do otworów w osłonie dolnej (Rys. O3). Środkiem dłoni docisnąć osłonę dolną, aż zaczepy zablokują się w osłonie górnej.
4. Wykonać instrukcje podane w części „WYMIANA ŻYŁKI”, aby ponownie założyć żyłkę tnącą.

KONSERWACJA

⚠ OSTRZEŻENIE: Podczas serwisowania należy używać wyłącznie części zamiennych identycznych z oryginalnymi. Urządzenie należy regularnie kontrolować i konserwować. Aby zagwarantować bezpieczeństwo i niezawodność, wszystkie naprawy powinny być wykonywane przez wykwalifikowanych techników serwisu.

⚠ OSTRZEŻENIE: Narzędzia akumulatorowe nie wymagają podłączenia do kontaktu elektrycznego i dlatego są zawsze gotowe do pracy. Aby zapobiec poważnym urazom ciała, podczas wykonywania czynności konserwacyjnych, w czasie serwisowania lub wymiany końcówek tnących lub innych należy stosować dodatkowe środki ostrożności.

⚠ OSTRZEŻENIE: Aby uniknąć poważnych obrażeń ciała, przed serwisowaniem, czyszczeniem, wymianą osprzętu dodatkowego oraz usuwaniem materiału z urządzenia należy zawsze odłączyć akumulator.

SMAROWANIE PRZEKŁADNI

Aby narzędzie działało optymalnie i przez długi czas, po każdym 50 godzinach użytkowania, przekładnię należy nasmarować specjalnym smarem (każdorazowo około 4-5 g).

Smar ten powinien spełniać następujące wymagania:

1. Należec do klasy DIN51818: stopień NLGI-1 w badaniu penetracji sondą stożkową.
2. Smar na bazie estrów.
3. Posiadać znakomite właściwości w warunkach uruchamiania na zimno i podczas zwiększonego nacisku (EP), doskonałą odporność na ścinanie mechaniczne i ścieranie oraz własności stabilizujące utlenianie.
4. Temperatura pracy musi zawierać przedział -40~180°C. Wyjąć wtyczkę akumulatora i śrubę uszczelniającą. Smarowanie przekładni przez otwór smarowy.

⚠ OSTRZEŻENIE: Nie należy przeprowadzać smarowania, gdy kosa do zarośli jest nadal podłączona do akumulatora lub włączona.

CZYSZCZENIE URZĄDZENIA

- Wyrób należy czyścić wilgotną ściereczką i łagodnym detergentem.
- Do czyszczenia części plastikowych lub uchwytu nie należy używać jakichkolwiek silnych detergentów. Mogą one zostać uszkodzone przez niektóre olejki aromatyczne, takie jak olejek sosnowy i cytrynowy oraz przez rozpuszczalniki takie jak nafta. Wilgoć może także spowodować porażenie prądem. Wszelką wilgoć należy wycierać miękką suchą ściereczką.

PRZECHOWYWANIE URZĄDZENIA

- Gdy podkaszarka nie będzie używana, należy odłączyć od niej akumulator.
- Przed schowaniem dokładnie wyczyścić narzędzie.
- Urządzenie należy przechowywać w suchym i przewiewnym miejscu niedostępnym dla dzieci: albo pod kluczem, albo wystarczająco wysoko. Urządzenia nie należy przechowywać na nawozach lub w ich pobliżu, to samo dotyczy podłoży zanieczyszczonych benzyną i substancjami chemicznymi.
- Podczas transportu i przechowywania należy używać pokrowca transportowego na metalowe ostrza.

Ochrona środowiska



Urządzeń elektrycznych, zużytych akumulatorów i ładowarki nie należy wyrzucać do zwykłych zmieszanych śmieci domowych! Produkt należy oddać do zbiórki selektywnej w autoryzowanym punkcie recyklingu. Narzędzia elektryczne należy oddawać do zakładów recyklingu przyjaznych dla środowiska.

ROZWIĄZYWANIE PROBLEMÓW

PROBLEM	PRZYCZYNA	ROZWIĄZANIE
Nie udaje się włączyć urządzenia	<ul style="list-style-type: none"> ■ Do podkaszarki nie włożono akumulatora. ■ Podkaszarka i akumulator nie kontaktują. ■ Akumulator jest rozładowany. 	<ul style="list-style-type: none"> ■ Zamocować akumulator do podkaszarki. ■ Ponownie włożyć akumulator do odpowiedniej ładowarki. ■ Naładować akumulator.
Trawa owija się wokół głowicy podkaszarki i obudowy silnika	<ul style="list-style-type: none"> ■ Na podkaszarce nie ma zamontowanej osłony, przez co żyłka jest za długa i dochodzi do przecięcia silnika. ■ Używana jest ciężka żyłka. ■ Walek silnika lub głowica podkaszarki są owinięte trawą. ■ Silnik jest przeciążony. ■ Akumulator lub podkaszarka są zbyt gorące. ■ Przewód połączeniowy akumulatora jest odłączony od narzędzia. ■ Akumulator jest rozładowany. 	<ul style="list-style-type: none"> ■ Odłączyć przewód połączeniowy akumulatora i zamocować osłonę w podkaszarce. ■ Używać zalecanej nylonowej żyłki tnącej o średnicy nie większej niż 3,0 mm. ■ Zatrzymać podkaszarkę, wyjąć akumulator i usunąć trawę z walka silnika i głowicy podkaszarki. ■ Gdy tylko obciążenie zostanie usunięte, narzędzie wznowi pracę. Do pracy ciąglej zmniejszyć obciążenie urządzenia. ■ Pozwolić, aby akumulator lub podkaszarka ostygły do temperatury poniżej 67°C. ■ Ponownie podłączyć przewód połączeniowy. ■ Naładować akumulator.
Не удается вытянуть леску.	<ul style="list-style-type: none"> ■ Walek silnika lub głowica podkaszarki są zapchane trawą. ■ W głowicy podkaszarki jest za mało żyłki. ■ Głowica podkaszarki jest zabrudzona. ■ Żyłka w głowicy podkaszarki poplątała się. ■ Żyłka jest za krótka. 	<ul style="list-style-type: none"> ■ Zatrzymać podkaszarkę, wyjąć akumulator i usunąć trawę z walka silnika i głowicy podkaszarki. ■ Wyjąć akumulator i wymienić żyłkę tnącą; patrz część „WYMIANA ŻYŁKI” w niniejszej instrukcji. ■ Wyjąć akumulator i wyczyścić dolną osłonę, szpulę i górną osłonę. ■ Wyjąć akumulator, wyjąć żyłkę ze szpuli i przewinąć; patrz część „WYMIANA ŻYŁKI” w niniejszej instrukcji. ■ Wyjąć akumulator i pociągnąć żyłki, a jednocześnie na przemian wciskać i puszczać głowicę.
Трава намоталась на головку триммера и корпус двигателя.	<ul style="list-style-type: none"> ■ Koszenie wysokiej trawy tuż przy ziemi. 	<ul style="list-style-type: none"> ■ Pociąć chwasty na kilka kawałków od czubka do korzenia.



GWARANCJA

POLITYKA GWARANCYJNA EGO

W celu zapoznania się z wszystkimi warunkami polityki gwarancyjnej EGO prosimy odwiedzić stronę egopowerplus.com.

PL

PŘEČTĚTE SI VŠECHNY POKYNY!



PŘEČTĚTE SI NÁVOD K OBSLUZE

VAROVÁNÍ: Zbytkové riziko! Lidé s elektronickými přístroji, jako jsou např. kardiostimulátory, by se měli před použitím toho výrobku poradit se svým lékařem. Použití elektrického zařízení v těsné blízkosti kardiostimulátoru může způsobit narušení činnosti nebo poruchu kardiostimulátoru.



Bezpečnostní upozornění



Používejte ochranu očí výrobku vždy noste ochranné brýle, ochranné brýle s bočními kryty nebo obličejový štít.



Používejte ochranu sluchu. výrobkem vždy používejte chrániče sluchu.



Používejte ochranu hlavy. K ochraně hlavy používejte schválenou pevnou ochrannou přilbu.



Neinstalujte kulaté řezací čepele.



Max. šířka sekání strunové sekačky



Když strunovou sekačku používáte, udržujte od ostatních osob a domácích zvířat bezpečnou vzdálenost aspoň 15 m.



Garantovaná hladina akustického výkonu. Emise hluku do prostředí dle direktivy Evropského společenství.



Odpadní elektrické výrobky se nesmí likvidovat s domovním odpadem. Odevzdejte do autorizovaného recyklačního střediska.

n_0

Rychlost při chodu naprázdno-Otáčky při chodu naprázdno



Stojnsměrný proud

BEZPEČNOSTNÍ SYMBOLY

VAROVÁNÍ: Při použití elektrického nářadí může dojít k vymrštění cizích těles do očí, což může způsobit jejich závažné poškození. Před použitím elektrického nářadí si vždy nasadte ochranné brýle, ochranné brýle s bočními kryty nebo v případě potřeby obličejový štít. Na brýle nebo standardní ochranné brýle s bočními kryty doporučujeme použít ochrannou masku.



Z důvodu snížení rizika úrazu si musí uživatel přečíst návod k obsluze.



Používejte ochrannou obuv. Při použití tohoto výrobku noste protiskluzovou bezpečnostní obuv.



Používejte ochranné rukavice. Chraňte své ruce rukavicemi při manipulaci s čepelí nebo chráničem čepele.



Dejte si pozor na zpětný ráz. Upozorníte obsluhu na nebezpečí zpětného rázu.



Průměr nylonové žací struny



Vymrštěné objekty se mohou odrazit a mít za následek zranění osob nebo poškození majetku. Když křovinořez používáte, udržujte od ostatních osob a domácích zvířat bezpečnou vzdálenost.



Nepoužívejte ani nenechávejte venku na dešti.



Tento výrobek je v souladu s platnými směrnici ES.

V Napětí

.../min Za minutu

kg Kilogram

CZ

SPECIFIKACE

Napětí	56 B ---	
Otáčky naprázdno	Až do 5800 /min	
Žací mechanismus	Strunová hlava	
Typ žací struny	3,0 mm nylonová skroucená struna	
Šířka sekání	38 cm	
Doporučená provozní teplota	От 0 до 40 °C	
Doporučená skladovací teplota	От -20 до 70 °C	
Optimální teplota nabíjení	От 5 до 40 °C	
Hmotnost (bez akumulátoru)	5,8 кг	
Měřená hladina akustického výkonu L_{WA}	94,2 dB(A) K=1,8 dB(A)	
Hladina akustického tlaku na sluch obsluhy L_{PA}	74,15 dB(A) K=2,5 dB(A)	
Zaručená úroveň akustického výkonu L_{WA} (podle 2000/14/ES)	96 dB(A)	
Hodnota vibrací a_h	Přední pomocná rukojeť	3,2 m/s ² K=1,5 m/s ²
	Zadní rukojeť	2,3 m/s ² K=1,5 m/s ²

- Celková deklarovaná hodnota vibrací byla naměřena podle standardní zkušební metody a lze ji použít ke srovnání s jiným nářadím;
- Celkovou deklarovanou hodnotu vibrací lze použít také k předběžnému stanovení expozičních limitů.

POZNÁMKA: Emise vibrací při konkrétním použití elektrického nářadí se mohou lišit od deklarované hodnoty, při které se nářadí používá; z důvodu ochrany provozovatele by měl uživatel ve skutečných pracovních podmínkách nosit rukavice a chrániče sluchu.

УПАКОВОЧНЫЙ ЛИСТ (Obr. A1)

POPIS

SEZNAMTE SE S NAŠÍ STRUNOVOU SEKAČKOU (obr. A1)

1. Zdiřka
2. Pojistná páčka
3. Prahový kroužek

4. Oblouková rukojeť
5. Struna do sekačky
6. Sestava chrániče
7. Hřídél
8. Spouštěč
9. Zadní rukojeť
10. Hlava sekačky (strunová hlava)
11. Uvolňovací západka
12. Ořezávací čepel pro strunu
13. Bezpečnostní zábránová tyč (pouze pro hlavu křovinořezu)
14. Zajišťovací tyčka pro bezpečnostní zábránovou tyč (pouze pro hlavu křovinořezu)
15. Vnější příruba (pouze pro hlavu křovinořezu)
16. Matice (pouze pro hlavu křovinořezu)
17. Šroub
18. Imbusový klíč

MONTÁŽ

⚠ VAROVÁNÍ: Pokud jsou některé díly poškozené, nebo chybí, nepoužívejte výrobek, dokud se díly nevymění. Použití tohoto výrobku s poškozenými nebo chybějícími díly může vést k vážnému úrazu.

⚠ VAROVÁNÍ: Nepokoušejte se výrobek upravovat ani vytvářet příslušenství, které není pro tuto strunovou sekačku doporučeno. Každá taková změna nebo úprava je nesprávná a může vést k nebezpečné situaci, která může zapříčinit vážný úraz.

⚠ VAROVÁNÍ: Pokud provádíte montáž dílů, vždy odpojte konektor baterie ze zásuvky, aby nedošlo k neúmyslnému spuštění, které může způsobit vážný úraz.

⚠ VAROVÁNÍ: Když je nástroj vybaven hlavou křovinořezu, je třeba namontovat bezpečnostní zábránovou tyč.

MONTÁŽ CHRÁNIČE

⚠ VAROVÁNÍ: Při montáži nebo výměně chrániče vždy používejte rukavice. Pozor na hranu chrániče. Chraňte si ruce před pořezáním.

⚠ VAROVÁNÍ: Nářadí nikdy nepoužívejte bez řádně nainstalovaného chrániče. Chránič musí být vždy na nářadí z důvodu ochrany uživatele! Pokud je chránič instalován napevno, nikdy se jej nepokoušejte odstranit nebo upravit; pokud je nezbytná výměna, musí být provedena kvalifikovaným servisním technikem!

Uvolněte a vyjměte dva šrouby z krytu (obr. B), vyrovnejte montážní otvory chrániče s instalačními otvory a pak zajistěte chránič na základnu hřídele dvěma šrouby společně se dvěma pružnými podložkami (obr. C).

VAROVÁNÍ: Zkontrolujte, zda je chránič upevněn podle obr. B a C. Obrácené upevnění představuje vysoké riziko!

MONTÁŽ A SEŘÍZENÍ OBLOUKOVÉ RUKOJETI

1. Zastavte motor a odpojte konektor baterie ze zásuvky, pokud je baterie nainstalována.
2. Uvolněte křídlovou matici pro oddělení nastavitelné obloukové rukojeti (obr. D).

POZNÁMKA: Namontujte sestavu zábránové tyče na obloukovou rukojeť se dvěma šrouby, pokud je nástroj vybaven hlavou křovinořezu.

Popis dílů viz obr. D níže:

D-1	Oblouková rukojeť	D-4	Bezpečnostní zábránová tyč (pouze pro hlavu křovinořezu)
D-2	Upínací blok	D-5	Zajišťovací tyčka
D-3	Křídlová matice		

POZNÁMKA: K dispozici jsou dva druhy zajišťovacích tyček. Kratší je pro hlavu sekačky. Delší je pro hlavu křovinořezu. Pro práci s nástrojem si vhodně zvolte správnou zajišťovací tyčku.

3. Nasuňte obloukovou rukojeť na hřídel na přední stranu prahového kroužku. Nikdy ji nedávejte mezi prahový kroužek a zadní část rukojeti (obr. E).

POZNÁMKA: Nastavte obloukovou rukojeť mezi prahový kroužek a výstražný štítek, pokud je nástroj vybaven hlavou křovinořezu (obr. F).

4. Vložte upínací blok do otvoru rukojeti (obr. G).
5. Namontujte zajišťovací tyčku a přitáhněte křídlovou matici. Ujistěte se, že přední oblouková rukojeť je vzhůru a směruje k horní části zadní rukojeti (obr. H).
6. Nastavte rukojeť mezi prahový kroužek a štítek, dokud nenajdete pohodlnou polohu pro použití sekačky.
7. Zajistěte páčku zajišťovací tyčky (obr. I).

VAROVÁNÍ: Nářadí nikdy nepoužívejte bez řádně nainstalované obloukové rukojeti.

VAROVÁNÍ: Obloukovou rukojeť připevňte pouze mezi prahový kroužek a štítek.

VÝMĚNA STRUNOVÉ HLAVY ZA TRÍZUBOU ČEPEL

1. Vyjměte zástrčku ze strunové sekačky.

2. Otáčejte žací hlavicí tak, aby se zarovнала štěrbiná v přírubě s otvorem pro zajištění hřídele v převodovce a do otvoru vložte stabilizátor (obr. J).
3. Otáčejte žací hlavicí ve směru hodinových ručiček, abyste ji demontovali (obr. J).
4. Odstraňte příslušenství chrániče uvolněním tří šroubů s podložkou (obr. K3).

POZNÁMKA: Nasadte si rukavice před jakoukoli činností s třízubou čepelí jako ochranu před zraněním.

5. Namontujte vnitřní přírubu a kryt příruby na místo (obr. L1).
6. Namontujte čepel na hřídel motoru tak, aby povrch čepele byl v jedné rovině s povrchem vyboulení vnitřní příruby. Namontujte vnější přírubu a matici (obr. L2). Utáhněte předběžně matici PROTI SMĚRU hodinových ručiček rukou.
7. Položte převodovou skříň na pevnou podložku pro podporu. S jednou rukou přidržeťte hřídel křovinořezu a druhou rukou uchopte multifunkční klíč a utáhněte matici ve směru šipky vyznačené na vnější přírubě (obr. L3).

POUŽITÍ

VAROVÁNÍ: Dbejte, abyste se po seznámení s výrobkem nestali neopatrní. Nezapomínejte, že stačí chvilé nepozornosti a může se stát vážný úraz.

VAROVÁNÍ: Vždy používejte ochranu zraku spolu s chrániči sluchu. Pokud tak neučiníte, může dojít k vymrštění předmětu do očí, nebo případně jiným vážným úrazům.

VAROVÁNÍ: Nepoužívejte nástavce nebo příslušenství, které nedoporučuje výrobce tohoto výrobku. Použití nedoporučených nástavců a příslušenství může vést k vážnému úrazu.

VAROVÁNÍ: Před servisem, čištěním, výměnou nástavců nebo odstraněním materiálu odpojte konektor baterie ze zásuvky, aby nedošlo k vážnému úrazu.

Výrobek lze použít k následujícím účelům:

Ořezávání: slouží k odstranění trávy a plevele u zdí, plotů, stromů a obrubníků.

Sekání: slouží k sekání trávy, která je pro běžnou sekačku obtížně dostupná.

POZNÁMKA: Nářadí se smí používat pouze k vyhrazenému účelu. Jakékoliv jiné použití, např. ořezávání živých plotů, se považuje za nesprávné použití.

PŘIPOJENÍ/ODPOJENÍ BATERIOVÉHO KABELU

Používejte pouze akumulátory a nabíječky uvedené na obr. A2.

Před prvním použitím akumulátor nabijte.

Připojení bateriového kabelu (obr. M)

Zarovnejte ▲ zástrčku se ▲ zásuvkou strunové sekačky. Zasuňte zástrčku do stroje, dokud zelené těsnění zcela nezmqzí do zásuvky.

Odstranění

Uvolněte kabel akumulátoru z montážní drážky a vytáhněte zástrčku ze strunové sekačky.

ZAPNUTÍ/VYPNUTÍ STRUNOVÉ SEKAČKY (obr. N)

Spuštění

Zatlačte pojistnou páčku do polohy „ON“ (ZAP), posuňte zajišťovací jazýček dopředu a poté stisknete spínač spouště. Spouštěč plynule nastavuje rychlost. Čím více mačkáte spouštěč, tím vyšší je rychlost.

N-1	Pojistná páčka	N-3	Spínač
N-2	Zajišťovací jazýček		

Zastavení

Uvolněte spínač a zatlačte blokovací tlačítko zpět do polohy „OFF“ (VYP).

VAROVÁNÍ: Konektor baterie vždy odpojte ze zásuvky během pracovních přestávek a po dokončení práce.

POUŽITÍ STRUNOVÉ SEKAČKY

VAROVÁNÍ: Aby nedošlo k vážnému úrazu, používejte vždy při práci s tímto nářadím ochranné brýle. V prašném prostředí používejte ochrannou masku nebo protiprachový respirátor.

Před každým použitím vyčistěte prostor, kde budete stříhat. Odstraňte veškeré předměty, jako jsou např. kameny, rozbité sklo, hřebíky, dráty nebo provazy, které mohou být vrženy, nebo se mohou do žacího nástavce zaplést. Z prostoru vyžeňte děti, ostatní osoby a domácí zvířata. Minimální bezpečná vzdálenost pro děti, ostatní osoby a domácí zvířata je 15 m; stále však hrozí riziko zasažení ostatních osob vymrštěnými předměty. Ostatním osobám doporučte použití ochrany očí. Pokud se k vám někdo blíží, okamžitě vypněte motor a žací příslušenství.

Před každým použitím zkontrolujte poškození/opotřebené díly

Zkontrolujte strunovou hlavu, chránič, obloukovou rukojeť a vyměřte díly, které jsou prasklé, zdeformované, ohnuté nebo jinak poškozené.

Ořezávací čepel pro strunu na okrajích chrániče se může v průběhu času otupit. Doporučujeme ji pravidelně brousit pilníkem, nebo vyměnit za novou.

Po každém použití sekačku vyčistěte.

VAROVÁNÍ: Překážky ve větracích otvorech zabrání proudění vzduchu do pouzdra motoru, což povede k přehřátí nebo poškození motoru.

- K čištění nářadí používejte pouze neagresivní mýdlo a vlhký hadr. Dbejte, aby do nářadí nepronikla žádná kapalina; žádný díl tohoto nářadí nikdy neponožte do kapaliny.
- Udržujte větrací otvory pouzdra motoru vždy v čistotě.

VAROVÁNÍ: K čištění nůžek nikdy nepoužívejte vodu. K čištění plastových dílů nepoužívejte rozpouštědla. Většina plastů je náchylná k poškození různými typy komerčních rozpouštědel. K odstranění nečistot, prachu, oleje, maziva atd. použijte čistý hadr.

NASTAVENÍ DÉLKY ŽACÍ STRUNY

Strunová hlava umožňuje obsluhu více vysunout žací strunu bez zastavení motoru. Když se struna roztřepeí nebo opotřebí, lze při práci se sekačkou vysunout další část struny lehkým poklepáním na regulátor struny o zem (viz obr. V).

POZNÁMKA: Vysouvání struny se stává obtížnějším se zkracováním žací struny.

VAROVÁNÍ: Nevýjímajte ani neupravujte sestavu výžinacího kotouče. Nadměrná délka struny způsobí přehřátí motoru, což může vést k vážnému úrazu.

Výměna struny

POZNÁMKA: Vždy používejte doporučenou nylonovou strunu s průměrem, který nepřesahuje 3,0 mm. Použití jiné struny, než je uvedeno, může způsobit přehřátí nebo poškození strunové sekačky.

VAROVÁNÍ: Nikdy nepoužívejte kovem zesílené struny, dráty, nebo lanka atd. Mohou se ulomit a stát se nebezpečnými projektily.

1. Vyjměte zástrčku ze strunové sekačky.
2. Odstraňte zbývající strunu, pokud je to nutné.
3. Ustříhnete strunu v délce 8 m a vložte ji do otvoru uvnitř očka (obr. O1). Zatlačte a vytáhněte strunu z druhé strany, dokud se na obou stranách cívký neobjeví stejná délka struny.

- Při otáčení sestavy spodního krytu ve směru šipky stiskněte, aby se navinula struna na cívku, dokud na každé straně nezůstane přibližně 14 cm struny (obr. O2).
- Zatlačte sestavu spodního krytu dolů a zároveň tahejte za struny, abyste je ručně vysunuli a zkontrolovali správnou montáž žací hlavy.

Když se žací struna utrhne ve výstupu struny nebo není žací struna uvolněna, když ůtknete na strunovou hlavu, postupujte podle následujících kroků:

- Stiskněte uvolňovací západky na horním krytu a vytáhněte sestavu spodního krytu tahem směrem ven (obr. K1 a K2).
- Vytáhněte strunu z cívky.
- Jednou rukou přidrže sestavu spodního krytu, druhou rukou uchopte sestavu spodního krytu a zarovnejte západky na horním krytu s otvory v sestavě spodního krytu (obr. O3); dlaní zatlačte na sestavu spodního krytu, dokud západky nezapadnou do horního krytu.
- Pro natažení nové struny postupujte podle pokynů v části „VÝMĚNA STRUNY“.

ÚDRŽBA

VAROVÁNÍ: opravách používejte pouze originální náhradní díly. Pravidelně stroj kontrolujte a udržujte. Z důvodu bezpečnosti by měl všechny opravy provádět kvalifikovaný servisní technik.

VAROVÁNÍ: Akumulátorové nářadí se nemusi zapojovat do elektrické zásuvky, proto je vždy v provozním stavu. Aby nedošlo k vážnému úrazu, věnujte zvýšenou pozornost a péči údržbě, servisu, výměně žacího nebo jiného nástavce.

VAROVÁNÍ: Před servisem, čištěním, výměnou nástavců nebo odstraněním materiálu odpojte konektor baterie ze zásuvky, aby nedošlo k vážnému úrazu.

MAZÁNÍ PŘEVODOVÉ SKŘÍŇE

Pro nejlepší provoz a delší životnost mažte převodovou skříň speciálním mazivem (pokaždé přibližně 4 - 5 g) po každých 50 hodinách provozu.

Speciální mazivo musí splňovat následující požadavky.

- Patří do DIN51818: Stupeň kuželové penetrace NLGI-1.
- Mazivo na bázi esteru.
- Vynikající spouštění při nízkých teplotách, EP, mechanický stříh, odolnost proti otěru a vlastnosti oxidativní stability.

- Provozní teplota musí být od -40 do 180 ° C. Odpojte zástrčku akumulátoru a těsnici šroub. Mažte převodovou skříň přes otvor pro olej.

VAROVÁNÍ: Mazání neprovádějte, když je křovinořez stále připojen k baterii nebo je v provozu.

ČIŠTĚNÍ NÁŘADÍ

- Nářadí čistěte vlhkým hadrem s neagresivním čisticím prostředkem.
- Na plastové pouzdro nebo rukojeť nepoužívejte žádné silné čisticí prostředky. Mohou být poškozeny některými aromatickými oleji, jako např. borovicovým nebo citronovým a rozpouštědly, jako např. petrolej. Vlhkost může rovněž způsobit riziko úrazu elektrickým proudem. Veškerou vlhkost setřete suchým měkkým hadrem.

SKLADOVÁNÍ NÁŘADÍ

- Pokud strunovou sekačku nepoužíváte, odpojte konektor baterie ze zásuvky.
- Nářadí před uskladněním řádně vyčistěte.
- Nářadí skladujte na suchém, dobře větraném, uzamčeném nebo vyvýšeném místě mimo dosah dětí. Nářadí neskladujte v blízkosti hnojiv, benzínu nebo jiných chemických látek.
- Používejte přepravní kryt pro kovové čepele během přepravy a skladování.

Ochrana životního prostředí



Elektrické zařízení, nabíječku a baterie / nabíjecí baterie nevhazujte do domovního odpadu! Předějte tento výrobek autorizované recyklační společnosti ke tříděnému sběru. Elektrické nářadí musí být vráceno do zařízení k ekologické recyklaci.

ODSTRAŇOVÁNÍ PROBLÉMŮ

PROBLÉM	PŘÍČINA	ŘEŠENÍ
Nepodaří se spustit	<ul style="list-style-type: none"> ■ K strunové sekačce není připojen akumulátor. ■ Bez elektrického kontaktu mezi sekačkou a akumulátorem. ■ Akumulátor je vybitý. 	<ul style="list-style-type: none"> ■ Připojte akumulátor na strunovou sekačku. ■ Odpojte a znovu připojte akumulátor. ■ Nabijte akumulátor.
Kolem strunové hlavy a pouzdra motoru se namotala tráva	<ul style="list-style-type: none"> ■ Na sekačce není namontovaný chránič, což má za následek příliš dlouhou žací strunu a přetížení motoru. ■ Je použita těžká žací struna. ■ Hřídel motoru nebo strunová hlava jsou ovinuté trávou. ■ Motor je přetížen. ■ Akumulátor nebo strunová sekačka je příliš horká. ■ Konektor akumulátoru je odpojen od stroje. ■ Akumulátor je vybitý. 	<ul style="list-style-type: none"> ■ Odpojte konektor baterie ze zásuvky a namontujte chránič na sekačku. ■ Použijte standardní nylonovou žací strunu s průměrem nejvíce 3,0 mm. ■ Zastavte sekačku, vyjměte akumulátor a odstraňte trávu z hřídele a strunové hlavy. ■ Stroj se zotaví po odstranění zátěže. Pro kontinuální práci snižte zatížení stroje. ■ Nechejte akumulátor nebo sekačku zchladnout, dokud teplota neklesne pod 67 ° C. ■ Znovu připojte konektor. ■ Nabijte akumulátor.
Не удастся вытянуть леску.	<ul style="list-style-type: none"> ■ Hřídel motoru nebo strunová hlava jsou ovinuté trávou. ■ Ve strunové hlavě není struna v dostatečné délce. ■ Strunová hlava je znečištěná. ■ Struna je zamotaná ve strunové hlavě ■ Struna je příliš krátká. 	<ul style="list-style-type: none"> ■ Zastavte sekačku, vyjměte akumulátor a odstraňte trávu z hřídele motoru a strunové hlavy. ■ Vyjměte baterii a vyměňte strunu; dodržujte pokyny uvedené v části „VYMĚNA STRUNY“ v tomto návodu. ■ Vyjměte akumulátor a vyčistěte cívku, sestavu spodního krytu a horní kryt. ■ Vyjměte akumulátor, vymotejte strunu z cívky a znovu ji navíňte; dodržujte pokyny uvedené v části „VYMĚNA STRUNY“ v tomto návodu. ■ Vyjměte akumulátor a vytáhněte strunu se současným střídávým stisknutím a uvolněním strunové hlavy.
Трава наматалась на головку триммера и корпус двигателя.	<ul style="list-style-type: none"> ■ Sekání vysoké trávy na úrovni terénu. 	<ul style="list-style-type: none"> ■ Sekejte trávu postupně v několika vrstvách seshora dolů.

ZÁRUKA

ZÁRUKA SPOLEČNOSTI EGO

Úplné záruční podmínky společnosti EGO naleznete na webové stránce egopowerplus.com.

PREČÍTAJTE SI VŠETKY POKYNY!



PREČÍTAJTE SI NÁVOD NA OBSLUHU.

VAROVANIE: Zvyškové riziko! Ľudia s elektronickými zariadeniami, napríklad kardiostimulátorom, musia používanie tohto výrobku konzultovať so svojim lekárom. Použitie elektrických zariadení v tesnej blízkosti kardiostimulátora by mohlo spôsobiť rušenie alebo zlyhanie kardiostimulátora.



Bezpečnostné upozornenie



Používajte ochranu zraku. Pri práci s týmto výrobkom vždy noste ochranné okuliare alebo ochranné okuliare s postrannými krytmi a celotvárový štít.



Používajte ochranu sluchu. Pri práci s týmto výrobkom vždy používajte ochranu sluchu.



Používajte ochranu hlavy. Používajte schválenú bezpečnostnú prilbu na ochranu hlavy.



Neinštalujte okrúhle rezacie čepele.



Šírka - Max. rezná šírka strunovej kosačky



Zabezpečte, aby ostatní ľudia a domáce zvieratá zostali vo vzdialenosti aspoň 15 m od strunovej kosačky, keď sa používa.



Garantovaná hladina akustického výkonu. Emisie hluku do prostredia podľa smernice Európskeho spoločenstva.



Odpadové elektrické výrobky sa nesmú likvidovať spolu s domovým odpadom. Odovzdajte do autorizovaného recyklačného strediska.

n_0

Rýchlosť bez zaťaženia-Rýchlosť otáčania, bez záťaže



Jednosmerný prúd

BEZPEČNOSTNÉ SYMBOLY

VAROVANIE: Prevádzka akéhokoľvek elektrického náradia môže viesť k vymršteniu cudzích predmetov do vašich očí, čo môže spôsobiť vážne poškodenie zraku. Predtým, než začnete používať elektrické náradie, si vždy nasadte ochranné okuliare alebo ochranné okuliare s postrannými krytmi a prípadne celotvárový štít. Odporúčame použiť bezpečnostnú masku so širokým prierezom na okuliare alebo štandardné bezpečnostné okuliare s postrannými krytmi.



Používateľ si musí prečítať návod na obsluhu, aby znížil riziko úrazu.



Používajte ochrannú obuv. Pri používaní tohto zariadenia noste protišmykovú bezpečnostnú obuv.



Používajte ochranné rukavice. Pri manipulácii s čepeľou alebo chráničom čepele si ruky chráňte rukavicami.



Spätný ráz - Upozornite obsluhu na nebezpečenstvo spätného rázu.



Priemer - Priemer nylonovej rezacej struny



Vymrštené objekty sa môžu odraziť a mať za následok zranenie osôb alebo poškodenie majetku. Keď krovinorez používate, udržiajte od ostatných osôb a domácich zvierat bezpečnú vzdialenosť.



Nepoužívajte ani nenechávajte vonku na daždi.



Tento výrobok je v súlade s platnými smernicami ES.

V Napätie

.../min Za minútu

kg Kilogram

TECHNICKÉ ÚDAJE

Napätie	56 B ---	
Rýchlosť naprázdno	Až 5800/min	
Rezací mechanizmus	Rezacía hlava	
Typ rezacej struny	3,0 mm nylonová stočená struna	
Rezná šírka	38 cm	
Odporúčaná prevádzková teplota	От 0 до 40 °C	
Odporúčaná skladovacia teplota	От -20 до 70 °C	
Optimálna teplota nabíjania	От 5 до 40 °C	
Hmotnosť (bez akumulátora)	5,8 kg	
Hladina akustického výkonu L_{WA}	94,2 dB(A) K=1,8 dB(A)	
Hladina akustického tlaku pri uchu obsluhy L_{PA}	74,15 dB(A) K=2,5 dB(A)	
Garantovaná hladina akustického výkonu L_{WA} (meraná podľa 2000/14/EC)	96 dB(A)	
Ohodnotenie vibrácií a_{h1}	Predná pomocná rukoväť	3,2 m/s ² K=1,5 m/s ²
	Zadná rukoväť	2,3 m/s ² K=1,5 m/s ²

- Uvádzaná celková hodnota vibrácií bola meraná v súlade so štandardnou skúšobnou metódou a môže byť použitá na porovnanie jedného zariadenia s iným;
- Uvádzaná celková hodnota vibrácie sa môže použiť aj na predbežný odhad expozície.

POZNÁMKA: Emisia vibrácií pri skutočnom používaní náradia sa môže odlišovať od deklarovanej hodnoty, pri akej sa nástroj používa; Za účelom ochrany obsluhy má používateľ v skutočných podmienkach použitia nosiť rukavice a ochranu sluchu.

OBSAH BALENIA (Obr. A1)

POPIS

SPOZNAJTE SVOJU STRUNOVÚ KOSAČKU (obr. A1)

1. Zásuvka
2. Poistná páčka

3. Prahový krúžok
4. Rukoväť
5. Struna do kosačky
6. Zostava chrániča
7. Hriadiel
8. Vypínač
9. Zadná rukoväť
10. Hlavica kosačky (strunová hlava)
11. Uvoľňovacia zarážka
12. Strunová rezacia čepeľ
13. Závara bezpečnostnej bariéry (len pre hlavicu rezacieho noža)
14. Uzamykacia tyč závary bezpečnostnej bariéry (len pre hlavicu rezacieho noža)
15. Obruba (len pre hlavicu rezacieho noža)
16. Matica (len pre hlavicu rezacieho noža)
17. Skrutka
18. Imbusový kľúč

ZOSTAVA

⚠ VAROVANIE: Ak akýkoľvek diel chýba, alebo je poškodený, nepoužívajte tento výrobok, kým nie sú vymenené diely. Ak používate tento výrobok s poškodenými alebo chýbajúcimi časťami, môže dôjsť k vážnemu zraneniu.

⚠ VAROVANIE: Nepokúšajte sa upravovať tento výrobok alebo vytvoriť príslušenstvo, ktoré nie je odporúčané pre použitie s týmito zarovnávacími nožnicami. Každá takáto zmena alebo modifikácia sa považuje za zneužitie a môže spôsobiť nebezpečný stav, ktorý vedie k možnému vážnemu zraneniu.

⚠ VAROVANIE: Aby sa zabránilo náhodnému spusteniu, ktoré by mohlo viesť k vážnemu zraneniu, vždy pri montáži dielov vytiahnite prípojku akumulátora zo zásuvky.

⚠ VAROVANIE: Ak je nástroj vybavený hlavicom rezacieho noža, mala by sa namontovať závara bezpečnostnej bariéry.

Montáž chrániča

⚠ VAROVANIE: Pri montáži alebo výmene chrániča vždy používajte rukavice. Dajte si pozor na ostré hrany na chrániči a chráňte si ruky pred porenaním.

VAROVANIE: Nikdy nepoužívajte náradie bez nasadeného ochranného krytu. Chránič musí byť vždy na nástroji na ochranu používateľa! Keď je chránič pripevnený, nikdy sa nepokúšajte ho odobrať alebo upraviť. Ak je nutná výmena, nechajte ju vykonať oprávnenému servisnému technikovi!

Uvoľnite a odstráňte dve skrutky z chrániča (obr. B), zarovnajajte montážne otvory chrániča s montážnymi otvormi a následne pripevnite chránič na základňu hriadeľa pomocou dvoch skrutiek, spolu s dvoma pružnými podložkami (obr. C).

VAROVANIE: Zabezpečte, aby bol chránič pripevnený podľa obr. B a C. Akékoľvek iné upevnenie spôsobí veľké nebezpečenstvo!

MONTÁŽ A NASTAVENIE RUKOVÁTE

- Zastavte motor a odpojte prípojku akumulátora zo zásuvky, aj je zapojená.
- Uvoľnite krídlovú maticu za účelom oddelenia nastaviteľnej rukoväte (obr. D).

UPOZORNENIE: Ak je nástroj vybavený hlavnicou rezacieho noža, namontujte závoru bezpečnostnej bariéry na rukoväť slucku pomocou dvoch skrutiek.

Obr. D popis častí pozri nižšie:

D-1	Rukoväť	D-4	Závora bezpečnostnej bariéry (len pre hlavicu rezacieho noža)
D-2	Upínací blok	D-5	Uzamykacia tyč
D-3	Krídlová matica		

UPOZORNENIE: Existujú dva druhy uzamykacej tyče, kratší je na hlavicu kosačky. Dlhšia je na hlavicu rezacieho noža. Pri používaní stroja buď opatrni pri výbere správnej uzamykacej tyče.

- Zatlačte rukoväť na hriadeľ na prednej strane prahového krúžku. Nikdy ju neumiestňujte medzi prahový krúžok a oblasť zadnej rukoväte (obr. E).

UPOZORNENIE: Ak je nástroj vybavený hlavnicou rezacieho noža (obr. F), nastavte rukoväť medzi prahovým krúžkom a výstražným štítkom.

- Vložte upínací blok do otvoru rukoväte (obr. G).
- Namontujte uzamykaciu tyč a pritiahnite krídlovú maticu. Uistite sa, že rukoväť je otočená nahor a smeruje k hornej časti zadnej rukoväte (obr. H).
- Kým počas používania kosačky nenájdete pohodlnú pozíciu, nastavte rukoväť medzi prahový krúžok a štítkom.
- Uzamknite páčku uzamykacej tyče (obr. I)

VAROVANIE: Zariadenie nikdy nepoužívajte, ak nie je rukoväť pevne na svojom mieste.

VAROVANIE: Rukoväť upevnite len medzi prahovým krúžkom a štítkom.

NAHRAĎTE HLAVICU KOSAČKY 3-ZUBOVOU ČEPELOU

- Vytiahnite zástrčku zo strunovej kosačky.
- Otočte strunovú hlavu tak, aby sa zarovnala štrbina v príruby s otvorom pre zaistenie hriadeľa v prevodovke a vložte stabilizátor do otvoru (obr. J).
- Strunovú hlavu otáčajte v smere hodinových ručičiek pre jej demontáž (obr. J).
- Odoberte ochranné príslušenstvo uvoľnením troch skrutiek s podložkou (obr. K3).

UPOZORNENIE: Na ochranu pred zranením si pred akoukoľvek manipuláciou s 3-zubovou čepeľou musíte nasadiť rukavice.

- Namontujte vnútornú obrubu a kryt obruby na svoje miesto (obr. L1).
- Namontujte čepeľ na hriadeľ motora tak, aby povrch čepele bol v jednej rovine s povrchom výklenku vnútornej príruby. Namontujte vonkajšiu obrubu a maticu (obr. L2). Utiahnete rukou predbežne maticu PROTI SMERU hodinových ručičiek.
- Položte prevodovú skriňu na pevnú podložku pre podporu. Jednou rukou držte hriadeľ rezacieho noža a druhou rukou uchopte multifunkčný kľúč na utiahnutie matice podľa ikony smerovej šípky vyznačenej na vonkajšej obrube (obrázok L3).

OBSLUHA

VAROVANIE: Nedovoľte, aby ste sa po zoznámení s týmto výrobkom stali neopatrnými. Zapamätajte si, že zlomok sekundy neopatrnosti postačuje na spôsobenie vážneho poranenia.

VAROVANIE: Vždy používajte ochranu zraku spolu s chráničmi sluchu. Ak tak neurobíte, môže dôjsť k vyvršteniu predmetov do očí a iným možným vážnym zraneniam.

VAROVANIE: Nepoužívajte žiadne prídavné zariadenia alebo príslušenstvo, ktoré nie sú odporúčané výrobcom tohto výrobku. Používanie prídavných zariadení alebo príslušenstva, ktoré nie sú odporúčané, môže viesť k vážnemu zraneniu.

VAROVANIE: Aby nedošlo k vážnemu zraneniu, pred vykonávaním údržby, čistením, výmenou príslušenstva alebo odstraňovaním materiálu zo zariadenia vyťahnite prípojku akumulátor zo zásuvky.

Tento výrobok môžete použiť na nižšie uvedené účely:

Kosenie: slúži na odstránenie trávy a buriny pri múroch, plotoch, stromoch a okrajoch.

Kosenie: slúži na kosenie trávy, ktorú je ťažké pokosiť bežnou kosačkou.

UPOZORNENIE: Náradie sa musí používať v súlade s účelom použitia. Každé iné použitie, napríklad orezávanie živých plotov, sa považuje za nesprávne.

PRIPOJENIE/ODPOJENIE KÁBLA AKUMULÁTORA

Používajte iba s akumulátormi a nabíjačkami, ktoré sú uvedené na obr. A2.

Pred prvým použitím nabite doplna.

Za účelom zapojenia kábla akumulátora (obr. M)

Zarovnajte ▲ zástrčku so ▲ strunovou kosačkou. Zasuňte zástrčku do stroja, kým zelené tesnenie celkom nezmnizne do zásuvky.

Odstránenie

Uvoľnite kábel akumulátora z montážnej drážky a vyťahnite zástrčku zo strunovej kosačky.

SPUSTENIE/ZASTAVENIE STRUNOVEJ KOSAČKY (obr. N)

Zapnutie

Zatlačte uzamykaciu páčku do polohy "ON", stlačte uzamykací jazýček dopredu a uvoľnite spínač spúšte. Spúšť slúži na plynulé nastavovanie rýchlosti. Čím viac vyťahnete spúšť, tým vyššia rýchlosť.

N-1	Poistná páčka	N-3	Spínač
N-2	Uzamykací jazýček		

Zastavenie

Uvoľnite spínač a zatlačte poistné tlačidlo späť do polohy „OFF“.

VAROVANIE: Počas pracovných prestávok a po ukončení práce vždy vyťahnite prípojku akumulátora zo zásuvky.

POUŽÍVANIE STRUNOVEJ KOSAČKY

VAROVANIE: Aby nedošlo k vážnemu zraneniu, nosťte okuliare alebo ochranné okuliare po celú dobu používania prístroja. Používajte masku alebo masku proti prachu v prašnom prostredí.

Pred každým použitím vyčistíte oblasť, ktorá má byť rezaná. Odstráňte všetky predmety, ako sú kamene, rozbité sklo, klince, drôty alebo šnúry, ktoré môžu byť vymrštené alebo môžu uviaznuť v stroji. Zabráňte prístupu deťom, prítomným osobám a domácim zvieratám. Všetky deti, prizerajúce sa osoby a zvieratá sa musia zdržiavať vo vzdialenosti najmenej 15 metrov; stále ešte môže existovať riziko vymrštenia predmetov na prizerajúce sa osoby. Okolostojace osoby by mali mať ochranu očí. Ak sa približujú, okamžite zastavte motor a reznú príslušenstvo.

Pred každým použitím skontrolujte, či nie sú poškodené / opotrebované diely

Skontrolujte strunovú hlavicu, chránič a rukoväť a vymeňte diely, ktoré sú prasknuté, zdeformované, ohnuté alebo inak poškodené.

Strunová čepeľ na okraji chrániča sa v priebehu času otupí. Odporúčame, aby ste ju pravidelne prebrúšili pilníkom, alebo ju nahradili za novú čepeľ.

Po každom použití vyčistíte kosačku.

VAROVANIE: Prekážky vo vetracích otvoroch bránia prívodu vzduchu do krytu motora, čoho následkom je prehriatie alebo poškodenie motora.

- Používajte iba mydlový roztok a vlhkú handričku na čistenie náradia. Zabráňte preniknutiu akejkoľvek kvapaliny do vnútorných častí náradia; Nikdy neponárajte žiadnu časť náradia do kvapaliny.
- Udržujte vetracie otvory v kryte motora vždy bez nečistôt.

VAROVANIE: Nikdy nepoužívajte vodu na čistenie nožnic. Na čistenie plastových dielov nepoužívajte rozpúšťadlá. Väčšina plastov je náchylná na poškodenie z rôznych typov komerčných rozpúšťadiel. Použite čisté handry na odstránenie nečistôt, prachu, oleja, maziva, atď.

NASTAVENIE DĹŽKY REZNEJ STRUNY

Strunová hlava umožňuje obsluhu predžití rezaciu strunu bez zastavenia motora. Ak sa struna rozstrapká alebo opotrebuje, je možné počas používania kosačky vysunúť ďalšiu strunu ľahkým poklepaním gombíka hlavy o zem (obr. V).

POZNÁMKA: Vysúvanie struny sa stáva ťažšie, keď sa rezacia struna skraccuje.

VAROVANIE: Neodstraňujte alebo nemeňte zostavu strunovej rezacej čepele. Nadmerná dĺžka struny môže spôsobiť prehriatie motora a môže dôjsť k vážnemu zraneniu.

Výmena struny

UPOZORNENIE: Vždy používajte odporúčanú nylonovú strunu s priemerom, ktorý nepresahuje 3,0 mm. Použitie inej struny, než je uvedená, môže spôsobiť prehriatie alebo poškodenie strunovej kosačky.

VAROVANIE: Nikdy nepoužívajte kovom vystužené struny, dróty, šnúry atď. Môžu sa odtrhnúť a stať sa nebezpečnými projektilmi.

1. Vytiahnite zástrčku zo strunovej kosačky.
2. Odstráňte zvyšnú strunu, ak je to nutné.
3. Odrežte 8 m rezacej struny, vložte ju do montážneho otvoru vnútri očka (obr. O1). Pretlačte a vytiahnite strunu z druhej strany, pokiaľ nebude rovnaká dĺžka struny na oboch stranách cievky.
4. Počas otáčania prítlačte zostavu spodného krytu v smere šípky, aby sa struna navinula na cievku tak, aby nakoniec zostalo na každej strane 14 cm (obr. O2).
5. Zatláčte zostavu spodného krytu smerom nadol pri ťahaní struny, ak chcete manuálne vytiahnuť strunu a skontrolujte správnu montáž strunovej hlavy.

Keď sa rezacia struna odtrhne na výstupe struny alebo sa rezacia struna nevsunie pri poklepaní na strunovú hlavu, postupujte podľa nasledujúcich krokov:

1. Stlačte uvoľňovacie jazýčky na hornom kryte a odmontujte spodnú časť krytu tak, že ju rovno vytiahnete von (obr. K1 a K2).
2. Odstráňte rezaciu strunu z cievky.
3. Jednou rukou držte zostavu spodného krytu, druhou ruku uchopte zostavu spodného krytu a zarovnajte jazýčky na hornom kryte s otvormi v spodnej časti zostavy krytu (obr. O3); Dlaňou tlačte na zostavu dolného krytu, kým sa jazýčky nezablokujú horným krytom.
4. Za účelom natiiahnutia novej rezacej struny postupujte podľa pokynov v časti „VÝMENA STRUNY“.

ÚDRŽBA

VAROVANIE: Pri servise používajte iba identické náhradné diely. Pravidelne kontrolujte a udržiavajte stroj. Pre zaistenie bezpečnosti a spoľahlivosti je nevyhnutné, aby všetky opravy vykonával len kvalifikovaný servisný technik.

VAROVANIE: Nástroje na batérie nemusia byť zapojené do elektrickej zásuvky; preto sú vždy v prevádzkovom stave. Aby nedošlo k vážnemu zraneniu, prijmite osobitné opatrenia a pozornosť pri vykonávaní údržby, opravy alebo výmene rezacieho alebo iného príslušenstva.

VAROVANIE: Aby nedošlo k vážnemu zraneniu, pred vykonávaním údržby, čistením, výmenou príslušenstva alebo odstraňovaním materiálu zo zariadenia vytiahnite prípojku akumulátora zo zásuvky.

MAZANIE PREVODOVEJ SKRINE

Pre najlepšiu prevádzku a dlhšiu životnosť mažte prevodovú skriňu špeciálnym mazivom (vždy približne 4 – 5 g) po každých 50 hodinách prevádzky.

Špeciálne mazivo musí spĺňať nasledujúce požiadavky.

1. Patrí do DIN51818: Stupeň kužeľovej penetrácie NLGI-1.
2. Mazivo na báze esteru.
3. Vynikajúce spúšťanie pri nízkych teplotách, EP, mechanický strih, odolnosť proti oderu a vlastnosti oxidatívnej stability.
4. Prevádzková teplota musí byť od -40 do 180 °C. Odpojte zástrčku akumulátora a tesniacu skrutku. Mažte prevodovú skriňu cez otvor na olej.

VAROVANIE: Mazanie nevykonávajte, keď je krovinnorez stále pripojený na batériu alebo je v prevádzke.

ČISTENIE PRÍSTROJA

- Výrobok čistite vlhkou handričkou a jemným saponátom.
- Nepoužívajte žiadne silné čistiace prostriedky na plastovom kryte alebo rukoväti. Môžu byť poškodené určitými aromatickými olejmi, ako je borovica a citrón, a rozpúšťadlami, ako je petrolej. Vlhkosť môže tiež spôsobiť nebezpečenstvo úrazu elektrickým prúdom. Akúkoľvek vlhkosť poutierajte mäkkou a suchou handrou.

USKLADNENIE PRÍSTROJA

- Keď kosačku nepoužívate, odpojte prípojku akumulátora zo zásuvky.
- Pred uložením prístroj dôkladne vyčistite.
- Prístroj skladujte na suchom a dobre vetranom uzamknutom alebo vyvýšenom mieste mimo dosahu detí. Prístroj neskladujte v blízkosti hnojiv, benzínu alebo iných chemikálií.
- Počas prepravy a skladovania používajte prepravný kryt na kovové čepele.

Ochrana životného prostredia

Nevyhadzujte elektrické zariadenia, nabíjačku batérií a použité batérie/akumulátory do domového odpadu! Tento výrobok odneste na autorizované recyklačné miesto a dajte ho k dispozícii na separovaný zber. Elektrické náradie sa musí vrátiť do recyklačného zariadenia, ktoré je zlučiteľné so životným prostredím.

ODSTRÁŇOVANIE PROBLÉMOV

PROBLÉM	PRÍČINA	RIEŠENIE
Nepodarí sa spustiť	<ul style="list-style-type: none"> ■ Akumulátor nie je pripojený k strunovej kosačke. ■ Žiadny elektrický kontakt medzi kosačkou a batériou. ■ Akumulátor je vybitý. 	<ul style="list-style-type: none"> ■ Pripojte akumulátor ku kosačke. ■ Znovu vložte akumulátor s určenou nabíjačkou. ■ Nabite akumulátor.
Tráva obaluje hlavu kosačky a kryt motora.	<ul style="list-style-type: none"> ■ Chránič nie je namontovaný na kosačke, čo spôsobuje príliš dlhý rez a preťaženie motora. ■ Je použitá príliš ťažká struna. ■ Hriadeľ motora alebo hlava kosačky sú omotané trávou. ■ Motor je preťažený. ■ Akumulátor alebo strunová kosačka sú príliš horúce. ■ Prípojka akumulátora je odpojená od zariadenia. ■ Akumulátor je vybitý. 	<ul style="list-style-type: none"> ■ Odpojte prípojku akumulátora zo zásuvky a namontujte kryt na kosačku. ■ Používajte odporúčanú štandardnú nylonovú strunu s priemerom najviac 3,0 mm. ■ Zastavte kosačku, vyberte akumulátor a odstráňte trávou z hriadeľa motora a hlavice kosačky. ■ Stroj sa zotaví po odstránení záťaže. Pre kontinuálnu prácu znížte zaťaženie zariadenia. ■ Nechajte akumulátor alebo strunovú kosačku vychladnúť, kým teplota neklesne pod 67 ° C. ■ Znova zapojte prípojku. ■ Nabite akumulátor.
Не удается вытянуть леску.	<ul style="list-style-type: none"> ■ Hriadeľ motora alebo hlava kosačky sú omotané trávou. ■ V strunovej hlavici nie je lanko. ■ Strunová hlava je znečistená. ■ Struna je zamotaná v strunovej hlavici. ■ Struna je príliš krátka. 	<ul style="list-style-type: none"> ■ Zastavte kosačku, vyberte akumulátor a odstráňte trávou z hriadeľa motora a hlavy kosačky. ■ Vyberte batériu a vymeňte rezaciu strunu; postupujte podľa časti „VÝMENA STRUNY“ v tomto návode na obsluhu. ■ Vyberte batériu a vyčistite zostavu spodného krytu, cievku a horný kryt. ■ Vyberte batériu a strunu z cievky a odviňte ju; postupujte podľa časti „VÝMENA STRUNY“ v tomto návode na obsluhu. ■ Vyberte batériu a vytiahnite strunu so súčasným striedavým zatlačením a uvoľnením strunovej hlavy.
Трава наматалась на головку триммера и корпус двигателя.	<ul style="list-style-type: none"> ■ Kosenie vysokej trávy na úrovni terénu. 	<ul style="list-style-type: none"> ■ Rozstrihajte burinu na niekoľko častí smerom zhora nadol.

ZÁRUKA

ZÁRUČNÁ POLITIKA EGO

Navštívte webové stránky egopowerplus.com pre úplné podmienky záručnej politiky spoločnosti EGO.

OLVASSA EL AZ ÖSSZES UTASÍTÁST!



OLVASSA EL A HASZNÁLATI ÚTMUTATÓT

⚠ FIGYELMEZTETÉS: Fennmaradó kockázat! Az elektronikus készülékekkel, például pacemakerrel élő emberek a termék használata előtt kérjék ki az orvos véleményét. Az elektromos felszerelésnek a pacemakerhez közel való működtetése interferenciát vagy meghibásodást okozhat a pacemakerben.



Biztonsági figyelmeztetés



Viseljen szemvédőt – Mindig viseljen védőszemüveget vagy oldalsó védőlemezelt ellátott védőárlarcot a termék működtetése közben.



Viseljen fülvédőt – Mindig viseljen hallásvédőt a termék működtetése közben



Viseljen fejdédőt – Viseljen hivatalos biztonsági kemény sisakot a feje védelme érdekében.

HU



Ne szereljen fel kerek vágópengét.



Szélesség – A fűkasza max. vágásszélessége



Ügyeljen arra, hogy más személyek és a háziállatok legalább 15 m távolságban legyenek a fűkasza használata közben.



Garantált hangteljesítményszint. Környezetre ható zajkibocsátás a Európai Közösség irányelve szerint.



Az elhasznált elektromos termékek nem helyezhetők a háztartási hulladék közé. Vigye hivatalos újrahasznosító telephelyre.

n_0

Üresjárat fordulatszám-Forgási sebesség
üresjáraton



Egyenáram

BIZTONSÁGI SZIMBÓLUMOK



FIGYELMEZTETÉS: Bármely elektromos kéziszerszám működtetése azzal járhat, hogy idegen tárgyak szembe kerülnek, ami súlyos szemsérüléseket okozhat. Az elektromos kéziszerszám működtetése előtt mindig vegyen fel oldalsó védőlemezelt ellátott védőszemüveget és a teljes védőárlarcot, ha szükséges. Javasoljuk, hogy viseljen Wide Vision Safety Mask-ot (védőárlarc) a védőszemüveg fölött vagy standard védőszemüveget oldalsó védőlemezelt.



A sérülések kockázatának csökkentése érdekében a használaton el kell olvasnia a használati útmutatót.



Viseljen védő lábbelit. Viseljen csúszásgátló cipőt, amikor a készüléket használja.



Viseljen védőkesztyűt – Védje a kezét kesztyűvel, amikor a pengét vagy a pengevédőt kezeli.



A visszapattnó tárgyak súlyos személyi sérülést vagy anyagi kárt okozhatnak. Ügyeljen arra, hogy más személyek és a háziállatok távol legyenek a fűkasza használata közben.



Átmérő – A nylon vágószál átmérője



Ügyeljen arra, hogy más személyek és a háziállatok legalább 15 m távolságban legyenek a fűkasza használata közben.



Ne használja esőben, és ne hagyja kint, ha esik az eső.



A termék megfelel az érvényes EK irányelveknek.

V Feszültség

.../min Percenként

kg Kilogramm

MŰSZAKI ADATOK

Feszültség	56 B ---	
Üresjáratú fordulatszám	Max. 5800 fordulat/perc	
Vágómechanizmus	Ütköző fej	
Vágószál típusa	3,0 mm-es sodrott nejlon vágószál	
Vágásszélesség	38 cm	
Javasolt működési hőmérséklet	От 0 до 40 °C	
Javasolt tárolási hőmérséklet	От -20 до 70 °C	
Optimális töltési hőmérséklet	От 5 до 40 °C	
Súly (akkumulátoregység nélkül)	5,8 кг	
Mért hangteljesítményszint L_{WA}	94,2 dB(A) K=1,8 dB(A)	
Mért hangteljesítményszint L_{PA}	74,15 dB(A) K=2,5 dB(A)	
Mért hangteljesítményszint L_{WA} (a 2000/14/EK szerint mérve)	96 dB(A)	
Vibráció értéke a_{rh}	Elülső segédfogantyú	3,2 m/s ² K=1,5 m/s ²
	Hátsó fogantyú	2,3 m/s ² K=1,5 m/s ²

- Valoarea totală declarată a vibrațiilor a fost măsurată în conformitate cu o metodă standard de testare și poate fi utilizată pentru compararea sculelor între ele;
- Valoarea totală declarată poate fi utilizată în evaluarea preliminară a expunerii.

OBSERVAȚIE: Vibrațiile emise în timpul utilizării efective a sculei electrice pot diferi față de valoarea celor declarate pentru scula utilizată; Pentru protejerea operatorului, utilizatorul trebuie să poarte mănuși și protecții auditive în timpul utilizării efective a produsului.

CSOMAGOLÁS TARTALMA (A1. Ábra)

LEÍRÁS

ISMERJE MEG A FŰKASZÁT (A1. ábra)

1. Aljzat
2. Kikapcsoló kar
3. Határoló gyűrű

4. Kétkézes fogantyú
5. Fűkasza
6. Védőburkolat egység
7. Tengely
8. Ravasz
9. Hátsó fogantyú
10. Fűkasza fej (ütköző fej)
11. Kioldó gomb
12. Vágópengé
13. Biztonsági zárórúd (csak kefes vágófejhez)
14. Rögzítés a biztonsági zárórúdnhoz (csak kefes vágófejhez)
15. Külső perem (csak kefes vágófejhez)
16. Anya (csak kefes vágófejhez)
17. Csavar
18. Imbuszkulcs

ÖSSZESZERELÉS

▲ FIGYELMEZTETES: Ha bármely alkatrész sérült vagy hiányzik, akkor ne működtesse a terméket, amíg az alkatrészeket ki nem cserélik. Sérült vagy hiányzó alkatrészekkel való használat súlyos személyes sérülést okozhat.

▲ FIGYELMEZTETES: Ne változtassa meg a terméket és ne készítsen hozzá olyan tartozékokat, amelyek nem javasoltak ehhez a készülékhez. Bármilyen módosítás vagy változtatás helytelen használatnak minősül, és veszélyes feltételeket teremthet, amely súlyos személyi sérüléssel végződhet.

▲ FIGYELMEZTETES: A véletlenszerű indítás elkerülése érdekében, amely súlyos személyi sérülést okozhat, mindig húzza ki az akkumulátoregység csatlakozóját az aljzataból, amikor összeszereli az alkatrészeket.

▲ FIGYELMEZTETES: Ha a szerszám kefes vágófejjel van felszerelve, fel kell szerelni a biztonsági zárórúdat.

A VÉDŐBURKOLAT FELSZERELÉSE

▲ FIGYELMEZTETES: A védőburkolat felszerelése vagy cseréje során mindig viseljen kesztyűt. Legyen óvatos a védőburkolat alatti pengével, és óvja a kezét vágástól.

▲ FIGYELMEZTETES: Soha ne működtesse a szerszámot, ha a védőburkolat nincs megfelelően a helyén. A védőburkolatnak mindig a szerszámon kell lennie a használó védelme érdekében! Ha a védőburkolat rögzítve van, akkor soha ne próbálja meg eltávolítani vagy beállítani, ha ki kell cserélni, akkor azt szakképzett szerviztechnikus végezze!

Lazítsa meg, és vegye le a két csavart a védőburkolatról (B. ábra), illesse a rögzítőfuratokat a szerelési lyukakba, majd rögzítse a védőburkolatot a tengely talpához a két csavarral és két rugós alátéttel (C. ábra).

▲ FIGYELMEZTETES: Ellenőrizze, hogy a védőburkolat a B. és C. ábrának megfelelően rögzítve van-e, a fordított rögzítés nagy veszélyt okozhat!

A KÉTKEZES FOGANTYÚ FELSZERELÉSE ÉS BEÁLLÍTÁSA

1. Állítsa le a motort, és húzza ki az akkumulátoregység csatlakozóját az aljzatból, ha be volt dugva.
2. Oldja ki a szárnyas anyát a beállítható kétkezes fogantyú levételéhez (D. ábra).

MEGJEGYZÉS: Szerelje fel a biztonsági zárórudat a kétkezes fogantyúra a két csavarral, ha a szerszám keféس vágófejjel rendelkezik.

A D ábra alkatrészeinek leírását lásd lent:

D-1	Kétkezes fogantyú	D-4	Biztonsági zárórúd (csak keféس vágófejhez)
D-2	Rögzítőkápcocs	D-5	Rögzítő
D-3	Szárnyas anya		

MEGJEGYZÉS: Kétféle rögzítő van, a rövidebb való a fúkasza-fejhez. A hosszabb való a keféس vágófejhez. Legyen óvatos és válassza a megfelelő rögzítőt a szerszám használatához.

3. Tolja rá a kétkezes fogantyút a tengelyre a határoló gyűrű elején. Sohase tegye a határoló gyűrű és a hátulsó fogantyú területe közé. (E. Ábra).

MEGJEGYZÉS: Állítsa be a kétkezes fogantyút a határoló gyűrű és a figyelmeztető tábla közé, ha a szerszám keféس vágófejjel rendelkezik (F. ábra).

4. Helyezze a rögzítőkápcost a fogantyú nyílásba (G. ábra).
5. Szerelje fel a rögzítőt, és húzza meg őket a szárnyas anyával. Ellenőrizze, hogy a kétkezes fogantyú felfelé és a hátsó fogantyú teteje felé néz-e (H. ábra).
6. Állítsa be a kétkezes fogantyút a határoló gyűrű és a tábla közé, míg meg nem találja a kényelmes helyzetet, ha a fúkaszt használja. .
7. Zárja le a rögzítő karját (I. ábra).

▲ FIGYELMEZTETES: Soha ne működtesse a szerszámot, ha a kétkezes fogantyú nincs megfelelően a helyén.

▲ FIGYELMEZTETES: Csak a kétkezes fogantyút rögzítse a határoló gyűrű és a tábla közé.

A FÚKASZA-FEJ KICSERÉLÉSE A 3-FOGÚ PENGÉVEL

1. Távolítsa el a hálózati csatlakozót a fúkaszból.
2. Fordítsa el a vágófejet, hogy a peremen lévő nyílást a tengelyrögzítő lyukkal a szerelvényburkolathoz illesse, és helyezze be a stabilizátort a lyukba (J ábra).
3. Ahhoz, hogy ki tudja venni, forgassa el a vágófejet az óramutató járásával megegyező irányba (J ábra).
4. Oldja ki a három alátétcsavart és távolítsa el a burkolatot (K3. ábra).

MEGJEGYZÉS: A sérülések elleni védekezés érdekében kesztyűt kell húzni, mielőtt bármilyen műveletet végezne a 3-fogú pengével.

5. Szerelje a helyére a belső peremet és a perem burkolatot (L1. ábra).
6. Szerelje fel a pengét a motor tengelyre, ellenőrizze, hogy a penge felülete a perem belső szélénél legyen. Szerelje fel a külső peremet és anyát (L2. ábra). Kézzeل húzza meg kissé az anyát az ÓRAMUTATÓ JÁRÁSÁVAL ELLENKEZŐ irányba.
7. Helyezze a szerelvényburkolatot erős felületre a támasztás érdekében. Az egyik kezével fogja meg a keféس vágótengelyt, a másik kezével pedig fogja meg a multifunkciós csavarkulcsot az anya meghúzásához, amelynek irányát a külső peremen lévő nyíl mutatja (L3. ábra).

MŰKÖDÉS

▲ FIGYELMEZTETES: Ne hagyja, hogy a termékkel szerzett jártassága miatt óvatlanná váljon. Emlékezzen arra, hogy a másodperc töredéke alatt történő óvatlanság súlyos sérülést okozhat.

▲ FIGYELMEZTETES: Mindig viseljen védőszemüveget és hallásvédőt. Amennyiben nem ezt teszi, tárgyak repülhetnek a szemébe, és más komoly sérülések keletkezhetnek.

▲ FIGYELMEZTETES: Ne használjon a gyártó által nem javasolt tartozékokat a termékhez. A nem javasolt tartozékok használata súlyos személyes sérülést okozhat.

▲ FIGYELMEZTETES: A súlyos személyi sérülések elkerülése érdekében húzza ki az akkumulátoregység csatlakozóját az aljzatból szervizelés, tisztítás, tartozékok cseréje vagy anyagok szerszámból való eltávolítása előtt.

A terméket az alábbi célokra használhatja:

Fúkaszállás: a falak, kerítések, fák és szegélyek tövében lévő fű végására használja.

Vágás: olyan fű vágására használja, amelyet a normál fűnyíró nehezen érne el.

MEGJEGYZÉS: A szerszámot csak az előírt célokra használja. Bármilyen más használat, például szegélynyírás helytelen használatnak minősül.

AZ AKKUMULÁTOR-KÁBEL BERAKÁSA/KIVÉTELE

Csak az A2.ábrán felsorolt akkumulátoregységeket és töltőket használja.

Az első használat előtt teljesen tölts fel.

Az akkumulátor-kábel berakása (M. ábra)

Illessze ▲ össze a ▲ dugót a fűkaszával. Helyezze a csatlakozódugót a gépbe, amíg a zöld tömítőgyűrű teljesen el nem tűnik az aljzatban.

Kivétel

Oldja ki az akkumulátor vezetékét a szerelési horonyból, és húzza ki a csatlakozódugót a fűkaszából.

A FŰKASZA INDÍTÁSA/LEÁLLÍTÁSA (N. ábra)

Indítás

Tolja a rögzítés-kioldó kart a „BE” állásba, nyomja előre a rögzítőnyelvet, utána engedje el a kapcsoló ravaszt. A ravasz fokozatmentes sebességbeállításra alkalmas. Minél jobban húzza felfelé a ravaszt, annál nagyobb lesz a sebesség.

N-1	Biztonsági kapcsolókar	N-3	Kapcsoló ravasz
N-2	Rögzítőnyelv		

Leállítás

Oldja ki a kapcsoló ravaszt, majd állítsa vissza a biztonsági kapcsológombot „KI” állásba.

▲ FIGYELMEZTETES: Mindig húzza ki az akkumulátoregység csatlakozóját az aljzatból, ha megszakítja a munkát, és a munka befejezése után.

A FŰKASZA HASZNÁLATA

▲ FIGYELMEZTETES: A súlyos személyi sérülések elkerülése érdekében mindig viseljen védőszemüveget az egység működtetésekor. Viseljen arc- vagy porvédő maszkot poros körülmények között.

Minden használat előtt tisztítsa meg a nyírándó területet. Távolítson el minden tárgyat, pl. követ, törött üveget, tűt, vezetékét vagy zsinórt, amely beakadhat a vágóegységbe. A területen ne legyenek gyermekek, nézelődők vagy állatok. Minden nézelődő, gyermek és állat legalább 15

m távolságban legyen; még így is fennáll a veszélye, hogy tárgyak repüljenek a nézelődők felé. A nézelődők is viseljenek védőszemüveget. Amikor Ön felé közeledik valaki, azonnal állítsa le a motort és a vágóegységet.

Minden használat előtt ellenőrizze a sérült/kopott alkatrészeket

Ellenőrizze az ütköző fejet, védőburkolatot és kétkezes fogantyút, és cserélje ki a repedt, behajolt vagy sérült alkatrészeket.

A védőburkolat szélén lévő vágópenge egy idő után tompa lehet. Javasoljuk, hogy időnként élezze meg reszelővel, vagy cserélje ki új pengére.

Minden használat után tisztítsa meg a fűkaszát.

▲ VIGYÁZAT: A szellőzőnyílásokban lévő akadályok megakadályozzák, hogy levegő áramoljon a motorházba, így a motor megsérülhet vagy túlmelegedhet.

- A szerszám tisztítását csak kímélő hatású szappannal és nedves ruhával végezze. Soha ne hagyja, hogy bármilyen folyadék kerüljön a szerszámra és soha ne merítse vízbe a szerszám semmilyen részét.
- A motorházon lévő szellőzőnyílásokat mindig tartsa szennyeződésektől mentesen.

▲ FIGYELMEZTETES: Soha ne használjon vizet a fűkasza tisztításhoz. A műanyag alkatrészek tisztításához ne használjon oldószereket. A legtöbb műanyag a kereskedelemben kapható oldószerek hatására sérülésnek van kitéve. Használjon tiszta ruhát a szennyeződés, por, olaj, zsír, stb. eltávolításához.

A VÁGÁS HOSSZÁNAK BEÁLLÍTÁSA

A fűkasza fej lehetővé teszi a kezelőnek, hogy a motor leállítása nélkül oldjon ki vágószálat. Ha a szál kopott vagy elhasználódott, akkor kiegészítő szál oldható ki, ha enyhén megnyomja az ütköző gombot a fűkasza működése közben (V ábra).

MEGJEGYZÉS: A vágószál kioldása egyre nehezebb, ha a vágószál rövidebb lesz.

▲ FIGYELMEZTETES: Ne távolítsa el, és ne változtassa meg a vágóegységet. A felesleges hossz miatt a motor túlmelegszik, amely súlyos sérülést okozhat.

A vágószál cseréje

MEGJEGYZÉS: Minden a javasolt nylon vágószálat használja, amelynek átmérője nem használja meg a 3,0 mm-t. Ha nem ilyen használ, akkor a fűkasza túlmelegedhet, vagy megsérülhet.

▲ FIGYELMEZTETES: Soha ne használjon fémmele erősített szálát, vezetékét vagy zsinórt, stb. Ezek eltörhetnek, és veszélyesek lehetnek a szétröppenő részek miatt.

1. Távolítsa el a hálózati csatlakozót a fűkaszából.
2. Vegye le a maradék vágószálát, ha szükséges.
3. Vágjon le 8 m hosszú vágószálát. Helyezze a vágószálát a fűzöltyük rögzítőlyukába (O1 ábra). Húzza és tolja a vágószálát a másik oldalról, amíg egyenlő mennyiség nincs az orsó két oldalán.
4. Nyomja, miközben az alsó borítást a nyíl irányába forgatja, hogy a vágószálát az orsóra tekerje, amíg körülbelül 14 cm nem marad mindkét oldalon (O2 ábra).
5. Nyomja le az alsó borítást, miközben húzza a vágószálát, hogy kézzel beállítsa, és ellenőrizze a fűkasza fej megfelelő összeszerelését.

Ha a vágószál kiszakad a vágószál kimenetből, vagy a vágószál nem oldódik ki, ha a vágófej beakad, akkor kövesse az alábbi lépéseket:

1. Nyomja meg a kioldógombot a felső borításon, és távolítsa el az alsó borítást úgy, hogy egyenesen kihúzza (K1 és K2 ábra).
2. Távolítsa el a vágószálát az orsóból.
3. Míg az egyik kezével az alsó borítást tartja, fogja a másik kezével az alsó borítást, és illesse a felső borításon található gombokat az alsó borítás nyílásaiba (O3 ábra); A tenyerével nyomja az alsó borítást, amíg a gombok a helyükre kerülnek a felső borításban.
4. A vágószál újratöltéséhez kövesse a „VÁGÓSZÁL CSERÉJE” pontban található utasításokat.

KARBANTARTÁS

▲ FIGYELMEZTETES: Javitáskor használjon azonos pótalkatrészeket. Rendszeresen ellenőrizze a gépet, és végezzen karbantartást. A biztonságosság és megbízhatóság biztosítása érdekében minden javítást szakképzett szerviztechnikus hajtson végre.

▲ FIGYELMEZTETES: Az akkumulátorral működő szerszámokat nem kell hálózati aljzathoz csatlakoztatni; ezért mindig működőképes állapotban vannak. A súlyos személyi sérülések elkerülése érdekében legyen rendkívül óvatos, amikor karbantartást, szervizelést végez, vagy kicseréli a vágóegységet vagy más alkatrészeket.

▲ FIGYELMEZTETES: A súlyos személyi sérülések elkerülése érdekében húzza ki az akkumulátoregység csatlakozóját az aljzathoz szervizelés, tisztítás, tartozékok cseréje vagy anyagok szerszámból való eltávolítása előtt.

A SZERELVÉNYBURKOLAT KENÉSE

A legjobb működés és a hosszabb élettartam érdekében a szerelvényburkolatot speciális zsírral kell bekenni (minden alkalommal körülbelül 4-5 g) minden 50 óra működés után.

A speciális kenőanyagának meg kell felelnie a következő követelményeknek.

1. A DIN51818: NLGI-1 kúpbeholási fokba tartozik.
2. Észter alapú zsír
3. Kiváló alacsony-hőmérsékletű indítás, EP, mechanikus nyírás, kopásálló és oxidációs stabilitás tulajdonságok.
4. A működtetési hőmérsékletnek -40~180 °C között kell lennie. Húzza ki az akkumulátor csatlakozódugót és a rögzítőcsavart. Kenje be a szerelvényburkolatot az olajnyíláson keresztül.

▲ FIGYELMEZTETES: Ne kenje be, amíg a fűkasza még az akkumulátorhoz van csatlakoztatva, vagy működésben van.

AZ EGYSÉG TISZTÍTÁSA

- Nedves törőruhával és enyhe tisztítószerezellel tisztítsa meg az egységet.
- Ne használjon erős tisztítószereket a műanyag burkolaton vagy a fogantyún. Ezek megsérülhetnek a különböző aromaolajaktól, pl. fenyő vagy citrom, és az olyan oldószerektől, mint a kerozin. A nedvesség szintén áramütés veszélyét okozhatja. A nedvességet egy puha, száraz törővel törölje le.

AZ EGYSÉG TÁROLÁSA

- Mindig húzza ki az akkumulátoregység csatlakozóját az aljzathoz, ha nem használja a fűkaszát.
- Elrakás előtt alaposan tisztítsa meg a szerszámot.
- Az egységet száraz, jól szellőző, elzárt vagy magas helyen tárolja, ahol gyermekek nem érik el. Ne tárolja az egységet benzin vagy más vegyszerek mellett.
- Szállítás és tárolás közben használja a szállítási burkolatot a fémpengékhez.

A környezet védelme

Ne dobja az elektromos felszerelést, az elhasznált akkumulátort és a töltőt a háztartási hulladékok közé! Vigye hivatalos újrahasznosító telephelyre, és tegye hozzáférhetővé a szelektív gyűjtéshez. Az elektromos szerszámokat környezetbarát újrahasznosító üzembe kell vinni.

HIBAELHÁRÍTÁS

PROBLÉMA	OK	MEGOLDÁS
Nem indul	<ul style="list-style-type: none"> ■ Az akkumulátoregység nincs csatlakoztatva a fűkaszához. ■ Nincs elektromos kapcsolat a fűkasza és az akkumulátor között. ■ Az akkumulátoregység lemerült. 	<ul style="list-style-type: none"> ■ Csatlakoztassa az akkumulátoregységet a fűkaszához. ■ Tegye be újra az akkumulátoregységet a meghatározott töltővel. ■ Töltse fel az akkumulátoregységet.
Fű tekeredett a fűkasza fejre és motorházra	<ul style="list-style-type: none"> ■ A védőburkolat nincs felszerelve a fűkaszára, amely révén a vágószál túl hosszú, és a motor túlterhelt. ■ Túl vastag vágószálat használ ■ A motortengelyre vagy fűkasza fejre rácsavarodott a fű. ■ A motor túlterhelt. ■ Az akkumulátoregység vagy a fűkasza túl forró. ■ Az akkumulátoregység csatlakozója le van választva a szerszámról. ■ Az akkumulátoregység lemerült. 	<ul style="list-style-type: none"> ■ Húzza ki az akkumulátoregység csatlakozóját az aljzatból, és szerelje fel a védőburkolatot a fűkaszára. ■ Használja a javasolt nylon vágószálat, legfeljebb 3,0mm átmérővel. ■ Állítsa le a fűkaszát, vegye ki az akkumulátort, és távolítsa el a fűvet a tengelyről és fűkasza fejről. ■ A gép újra működőképes, ha a terhet eltávolítja. A folyamatos működés érdekében csökkentse a gép terhelését. ■ Hűtse le az akkumulátoregységet vagy a fűkaszát 67 °C alatti hőmérsékletre. ■ Csatlakoztassa újra a készüléket az áramellátáshoz. ■ Töltse fel az akkumulátoregységet.

PROBLÉMA	OK	MEGOLDÁS
Не удается вытянуть леску.	<ul style="list-style-type: none"> ■ A motortengelyre vagy fűkasza fejre rácsavarodott a fű. ■ Nincs elég vágószál a vágófejben. ■ A fűkasza-fej elszennyeződött. ■ A vágószál összegabalyodott a vágófejben ■ A vágószál túl rövid. 	<ul style="list-style-type: none"> ■ Állítsa le a fűkaszt, vegye ki az akkumulátort, és távolítsa el a fűvet a motor tengelyről és fűkasza fejről. ■ Vegye ki az akkumulátort, és cserélje ki a vágószálat; kövesse a jelen használati útmutató „VÁGÓSZÁL CSERÉJE” fejezetet. ■ Vegye ki az akkumulátort, és tisztítsa ki az alsó burkolatrészt, az orsót és a felső burkolatrészt. ■ Vegye ki az akkumulátort, és vegye ki a vágószálat az orsóból, és tekerjen fel újat; kövesse a jelen használati útmutató „VÁGÓSZÁL CSERÉJE” fejezetet. ■ Vegye ki az akkumulátort, és húzza ki a szálat, közben nyomja le, és oldja ki a fűkasza fejet.
Трава наматалась на головку триммера и корпус двигателя.	<ul style="list-style-type: none"> ■ Magas fűvet talajhoz közel vág. 	<ul style="list-style-type: none"> ■ A gyomokat több részletben vágja, fentről kezdve és a talajszint felé haladva.

GARANCIA

EGO GARANCIÁLIS FELTÉTELEK

Kérjük, látogasson el az egopowerplus.com oldalra, ahol megtalálja a részletes EGO garanciális feltételeket.

HU

CITIȚI TOATE INSTRUCȚIUNILE!



CITIȚI MANUALUL DE INSTRUCȚIUNI

⚠ AVERTISMENT: Riscuri reziduale! Persoanele cu dispozitive electronice precum stimulatoare cardiace ar trebui să se consulte cu medicul (medicii) înainte de a utiliza acest produs. Funcționarea echipamentelor electrice în imediata apropiere a unui stimulator cardiac ar putea provoca interferențe sau defecțiuni ale stimulatorului cardiac.



Alertă privind siguranța



Purtați echipament de protecție oculară - Purtați întotdeauna ochelari de protecție sau ochelari de protecție cu apărători laterale și o vizieră facială completă când utilizați acest produs.



Purtați echipament de protecție auditivă - Purtați întotdeauna echipament de protecție auditivă când utilizați acest produs.



Purtați echipament de protecție a capului - Purtați o cască de protecție aprobată pentru a vă proteja capul.



Nu instalați lame de tăiere rotunde.



Lățime - Lățimea maximă de tăiere a trimmerului cu fir



Asigurați-vă că alte persoane și animalele de companie se află o distanță de cel puțin 15 m de trimmerul cu fir când acesta este în funcțiune.



Nivelul puterii sunetului garantat. Emisii sonore în mediul înconjurător conform Directivei comunitare europene.



Deșeurile produselor electrice nu trebuie să fie eliminate împreună cu deșeurile menajere. Predați-le unui punct de reciclare autorizat.

n_0

Turație de mers în gol-Turație de mers în gol



Curent continuu

SIMBOLURI PRIVIND SIGURANȚA

⚠ AVERTISMENT: Exploatarea oricăror scule electrice se poate solda cu ricoșarea de obiecte străine în ochii dumneavoastră, ceea ce se poate solda cu vătămarea gravă a ochilor. Înainte de a începe să utilizați scula electrică, echipați-vă întotdeauna cu ochelari de protecție cu apărători laterale și vizieră pentru față, atunci când este nevoie. Vă recomandăm să purtați o vizieră lată de protecție peste ochelarii de vedere sau ochelari de protecție standard cu apărători laterale.



Pentru a reduce riscul de accidentări, utilizatorul trebuie să citească manualul de instrucțiuni.



Purtați încălțăminte de protecție - Purtați încălțăminte antiderapantă când utilizați acest echipament.



Purtați mănuși de protecție - Protejați-vă mâinile cu mănuși când manevrați lama sau apărătoarea lamei.



Ferțiți-vă de propulsarea lamei - Avertizați operatorul asupra pericolului propulsiei lamei.



Diametru - Diametrul firului de tăiere din nailon



Obiectele aruncate pot ricoși și cauza vătămări corporale și pagube. Asigurați-vă că terți și animalele de companie se află la distanță de trimmerul pentru tufișuri când acesta este în funcțiune.



Nu utilizați acest produs în ploaie și nu-l lăsați în exterior în timp ce plouă.



Acest produs este în conformitate cu directivele europene aplicabile.

V Tensiune

.../min Pe minut

kg Kilogram

SPECIFICAȚII

Tensiune	56 V	
Turație de mers în gol	Până la 5800 /min	
Mecanism de tăiere	Cap cu bobină	
Tipul firului de tăiere	Fir de nailon răsucit de 3,0 mm	
Lățime de tăiere	38 cm	
Temperatură de funcționare recomandată	0°C-40°C	
Temperatură de depozitare recomandată	-20°C-70°C	
Temperatură optimă de încărcare	5°C-40°C	
Greutate (fără set de acumulatori)	5,8 kg	
Nivel de putere sonoră măsurat L_{WA}	94,2 dB(A) K=1,8 dB(A)	
Nivel de presiune sonoră la urechea operatorului L_{PA}	74,15 dB(A) K=2,5 dB(A)	
Nivel de putere sonoră garantat L_{WA} (măsurat în conformitate cu 2000/14/CE)	96 dB(A)	
Valoarea vibrațiilor $a_{h\prime}$:	Mâner frontal de susținere	3,2 m/s ² K=1,5 m/s ²
	Mâner posterior	2,3 m/s ² K=1,5 m/s ²

- Valoarea totală declarată a vibrațiilor a fost măsurată în conformitate cu o metodă standard de testare și poate fi utilizată pentru compararea sculelor între ele;
- Valoarea totală declarată poate fi utilizată în evaluarea preliminară a expunerii.

OBSERVAȚIE: Vibrațiile emise în timpul utilizării efective a sculei electrice pot diferi față de valoarea celor declarate pentru scula utilizată; Pentru protejerea operatorului, utilizatorul trebuie să poarte mănuși și protecții auditive în timpul utilizării efective a produsului.

CONȚINUTUL AMBALAJULUI (Fig. A1)

DESCRIERE

DESCRIEREA COSITORII CU FIR (Fig. A1)

1. Priză
2. Manetă de blocare
3. Inel limitator
4. Mâner de susținere

5. Fir de tăiere
6. Ansamblu apărătoare
7. Tijă
8. Declanșator
9. Mâner posterior
10. Cap de cositoare (Cap cu bobină)
11. Clapă de detașare
12. Lamă de tăiere fir
13. Bară de siguranță (Numai pentru cap de coasă pentru iarbă)
14. Tijă de blocare pentru bară de siguranță (Numai pentru cap de coasă pentru iarbă)
15. Flanșă exterioară (Numai pentru cap de coasă pentru iarbă)
16. Piuilți (Numai pentru cap de coasă pentru iarbă)
17. Șurub
18. Cheie hexagonală

ASAMBLARE

⚠ AVERTIZARE: Dacă unele piese sunt deteriorate sau lipsesc, nu utilizați acest produs până la înlocuirea pieselor. Utilizarea acestui produs cu piese deteriorate sau lipsă s-ar putea solda cu vătămări grave.

⚠ AVERTIZARE: Nu încercați să modificați acest produs sau să creați accesorii nerecomandate pentru această cositoare cu fir. Orice astfel de modificare sau schimbare reprezintă o utilizare necorespunzătoare și se poate solda cu condiții periculoase care pot conduce la posibile vătămări grave.

⚠ AVERTIZARE: Pentru a preveni pomirea accidentală care ar putea provoca vătămări grave, scoateți întotdeauna conectorul acumulatorului din priză când asamblați componente.

⚠ AVERTIZARE: Atunci când scula este echipată cu cap de coasă pentru iarbă, trebuie montată bara de siguranță.

MONTAREA APĂRĂTORII

⚠ AVERTIZARE: Purtați întotdeauna mănuși când montați sau înlocuiți apărătoarea. Aveți grijă de lama de pe apărătoare și protejați-vă mâna împotriva tăieturilor.

⚠ AVERTIZARE: Nu utilizați niciodată scula fără apărătoarea bine fixată. Apărătoarea trebuie să fie întotdeauna instalată pe sculă pentru a proteja utilizatorul. Când apărătoarea este atașată, nu încercați niciodată să o îndepărtați sau să o reglați, dacă este nevoie să fie înlocuită, această operație trebuie executată de un tehnician de service autorizat!

Desfaceți și îndepărtați cele două șuruburi de pe apărătoare (Fig. B), aliniați orificiile de fixare ale apărătorii cu orificiile ansamblului, după care prindeți apărătoarea de baza tijei cu ajutorul celor două șuruburi împreună cu două șaibe elastice (Fig. C).

⚠️ AVERTIZARE: Asigurați-vă că apărătoarea este fixată conform ilustrațiilor din Fig. B și C, orice fixare inversată va cauza un mare pericol!

MONTAREA ȘI REGLAREA MÂNERULUI FRONTAL DE SUSȚINERE

1. Opriți motorul și scoateți conectorul acumulatorului din priză, dacă acesta este instalat.
2. Desfaceți piulița fluture pentru a separa mânerul frontal de susținere (Fig. D).

OBSERVAȚIE: Instalați ansamblul barei de siguranță pe mânerul de susținere cu cele două șuruburi atunci când scula este echipată cu capul de coasă pentru iarbă.

Pentru descrierea pieselor din Fig. D, consultați tabelul de mai jos:

D-1	MÂNER DE SUSȚINERE	D-4	Bară de siguranță (Numai pentru cap de coasă pentru iarbă)
D-2	Bloc de fixare	D-5	Tijă de blocare
D-3	Piuliță fluture		

OBSERVAȚIE: Există două tipuri de tije de blocare, cea mai scurtă este pentru capul cositorii. Cea mai lungă este pentru capul coasei pentru iarbă. Aveți grijă să alegeți tija de blocare corectă când utilizați scula.

3. Împingeți mânerul de susținere pe axul din fața inelului limitator. Nu-l amplasați niciodată între inelul limitator și zona mânerului din spate (Fig. E).

OBSERVAȚIE: Reglați mânerul de susținere între inelul limitator și eticheta de avertizare atunci când scula este echipată cu cap de coasă pentru iarbă (Fig. F).

4. Introduceți blocul de fixare în fanta mânerului (Fig. G).
5. Instalați tija de blocare și strângeți cu piulița fluture. Asigurați-vă că mânerul de susținere este îndreptat în sus și este orientat spre partea superioară a mânerului posterior (Fig. H).
6. Reglați mânerul de susținere între inelul limitator și eticheta până când găsiți poziția confortabilă atunci când utilizați cositoarea.
7. Blocați maneta de pe tija de blocare (Fig. I).

⚠️ AVERTIZARE: Nu utilizați niciodată scula fără mânerul de susținere bine fixat.

⚠️ AVERTIZARE: Fixați mânerul de susținere numai între inelul limitator și eticheta.

ÎNLOCUIREA CAPULUI COSITORII CU LAMA CU 3 DINȚI

1. Scoateți fișa de alimentare din trimmerul cu fir.
2. Rotiți capul trimmerului pentru a alinia fanta din flanșă cu orificiul de blocare a axului din cutia de viteze și introduceți un stabilizator în orificiu (Fig. J).
3. Rotiți capul trimmerului în sensul acelor de ceasornic pentru a-l îndepărta (Fig. J).
4. Scoateți accesoriul apărătoare prin desfacerea celor trei șuruburi cu șaibă (Fig. K3).

OBSERVAȚIE: Pentru a vă proteja împotriva vătămării, trebuie să purtați mănuși înainte de orice operație cu lama cu 3 dinți.

5. Montați flanșa interioară și capacul acesteia în poziția desemnată (Fig. L1).
6. Montați lama pe axul motorului, asigurându-vă că suprafața lamei este la același nivel cu suprafața proeminenței flanșei interioare. Montați flanșa exterioară și piulița (Fig. L2). Strângeți în prealabil piulița în sens ANTIOAR cu mâna.
7. Pentru suport, sprijiniți cutia de viteze de o suprafață solidă. Țineți cu o mână axul de tăiere al coasei pentru iarbă și cu cealaltă mână prindeți cheia multifuncțională pentru a strânge piulița, respectând pictograma săgeată indicată pe flanșa exterioară (Fig. L3).

FUNȚIONARE

⚠️ AVERTISMENT: Nu permiteți ca familiarizarea cu acest produs să vă facă neglijent(ă). Amintiți-vă că o fracțiune de secundă de neglijență este suficientă pentru a provoca vătămări grave.

⚠️ AVERTISMENT: Întotdeauna purtați protecție oculară și echipament de protecție auditivă. Nerespectarea acestei instrucțiuni ar putea avea ca rezultat proiectarea în ochi a obiectelor și alte posibile vătămări grave.

⚠️ AVERTISMENT: Nu utilizați nicio componentă sau accesoriu care nu a fost recomandat de producătorul acestui produs. Utilizarea de accesorii nerecomandate se poate solda cu vătămări grave.

⚠️ AVERTIZARE: Pentru prevenirea vătămarilor grave, scoateți conectorul acumulatorului din priză înainte de a depana, curăța, înlocui accesorii sau de a îndepărta materialul din produs.

Puteți utiliza acest produs în scopurile menționate mai jos:

Cosire: utilizare pentru îndepărtarea ierbii și a buruienilor de lângă pereți, garduri, copaci și borduri.

Tăiere: utilizare pentru tăierea ierbii greu accesibile cu o mașină normală de tuns iarba.

OBSERVAȚIE: Scula trebuie utilizată numai în scopul pentru care a fost proiectată. Orice altă utilizare, de exemplu tăierea gardului viu, este considerată a fi caz de utilizare necorespunzătoare.

ATAȘAREA/DETAȘAREA CABLULUI ACUMULATORULUI

Utilizați numai seturile de acumulatori și încărcătorii din fig.A2.

Încărcați acumulatorul complet înainte de prima utilizare.

Instalarea cablului acumulatorului (Fig. M)

Aliniați ștecherul ▲ cu cositoarea ▲ cu fir. Introduceți ștecherul în mașină până când garnitura verde dispare complet în priză.

Îndepărtarea

Eliberați cablul acumulatorului din canelura de montare și extrageți ștecherul din cositoarea cu fir.

PORNIREA/OPRIREA COSITORII CU FIR (Fig. N)

Pornirea

Împingeți maneta de blocare în poziția „ON”, împingeți limba de blocare înainte, apoi apăsați pe comutatorul de declanșare. Declanșatorul este reglarea vitezei fără trepte. Cu cât trageți mai mult de declanșator, cu atât este mai mare viteza.

N-1	Manetă de blocare	N-3	Comutator de declanșare
N-2	Limbă de blocare		

Oprirea

Eliberați comutatorul de declanșare și împingeți la loc butonul de blocare în poziția „OFF”.

AVERTIZARE: Scoateți întotdeauna conectorul acumulatorului din priză în timpul pauzelor de lucru și după terminarea lucrării.

UTILIZAREA COSITORII CU FIR

AVERTIZARE: Pentru evitarea vătămarilor corporale grave, purtați ochelari de protecție în permanență când utilizați acest produs. Purtați mască de protecție a feței sau mască de protecție la praf în locurile cu praf.

Curățați zona de tuns iarba înainte de fiecare utilizare. Îndepărtați toate obiectele, cum ar fi pietre, sticlă spartă, cuie, sârmă sau fire care pot fi aruncate sau se pot încurca în capul de tăiere. Îndepărtați din zonă copiii, trecătorii și animalele de companie. Țineți toți copiii, trecătorii și animalele la o distanță minimă de 15 m; poate exista totuși un risc pentru trecători datorită obiectelor ricoșate. Trecătorii trebuie încurajați să poarte ochelari de protecție. Dacă cineva se apropie de dumneavoastră, opriți imediat motorul și capul de tăiere.

Înainte de fiecare utilizare, verificați scula pentru depistarea pieselor deteriorate/uzate.

Verificați capul cu bobina, apărătoarea și mânerul de susținere și înlocuiți piesele care sunt fisurate, distorsionate, îndoite sau deteriorate în vreun fel.

Lama de tăiere a firului de pe muchia apărătorii se poate toci cu timpul. Se recomandă să o ascuțiți periodic cu o pilă sau să o înlocuiți cu una nouă.

După fiecare utilizare, curățați cositoarea.

ATENȚIE: Obturarea orificiilor de ventilație va împiedica pătrunderea aerului în carcasa motorului și va provoca supraîncălzirea sau deteriorarea motorului.

- Utilizați numai săpun cu acțiune moderată și o lavetă umedă pentru a curăța scula. Nu lăsați niciun lichid să pătrundă în interiorul sculei; nu scufundați niciodată vreo parte a sculei în vreun lichid.
- Păstrați în permanență curate orificiile de ventilație din carcasa motorului.

AVERTIZARE: Nu utilizați niciodată apă pentru curățarea cositorii. Evitați utilizarea solvenților când curățați piese din plastic. Majoritatea pieselor din plastic sunt susceptibile să se deterioreze de la diverse tipuri de solvenți comerciali. Utilizați lavete curate pentru a îndepărta murdăria, praful, uleiul, vaselina etc.

REGLAREA LUNGIMII FIRULUI DE TĂIERE

Capul trimmerului permite utilizatorului să elibereze mai mult fir fără să oprească motorul. Pe măsură ce firul devine fragil sau uzat, fir adițional poate fi eliberat prin lovirea ușoară a butonului de derulare a firului de sol în timpul operării trimmerului (Fig. V).

OBSERVAȚIE: Eliberarea firului devine mai dificilă pe măsură ce firul de tăiere devine mai scurt.

⚠️ AVERTISMENT: Nu îndepărtați sau să modificați ansamblul lamei de tăiere a firului. Lungimea excesivă a firului poate cauza supraîncălzirea motorului și poate duce la răni personale grave.

Înlocuirea firului

OBSERVAȚIE: Utilizați întotdeauna firul de tăiere din nailon recomandat, cu un diametru maxim de 3,0 mm. Utilizarea unui fir diferit de cel specificat poate duce la supraîncălzirea cositorii cu fir sau la deteriorarea acesteia.

⚠️ AVERTISMENT: Nu utilizați niciodată fir de metal ranforsat, sârmă, sfoară etc. Acestea se pot rupe și pot deveni proiectile periculoase.

1. Scoateți fișa de alimentare din trimmerul cu fir.
2. Îndepărtați firul de tăiere rămas, dacă este nevoie.
3. Tăiați fir de tăiere cu lungimea de 8 m, introduceți firul în gaura de montare din interiorul ochetului (Fig. O1). Împingeți și trageți firul din partea opusă până când firele au aceeași lungime de ambele laturi ale bobinei.
4. Apăsăți, în timp ce rotiți ansamblul capacului inferior în direcția săgeții, pentru a înfășura firul pe bobină până când rămân aproximativ 14 cm de fir de fiecare parte (Fig. O2).
5. Apăsăți în jos ansamblul capacului inferior în timp ce instalați firele pentru a derula manual firul și a vă asigura că asamblarea capului de trimmer este corectă.

Când firul de tăiere se rupe din orificiul de ieșire al acestuia sau dacă firul nu este eliberat când capul trimmerului este lovit, urmați pașii de mai jos:

1. Apăsăți pe cele două urechi de detașare de pe capacul superior și scoateți ansamblul capacului inferior extrăgându-l spre exterior (Fig. K1 și K2).
2. Scoateți firul de tăiere din bobină.
3. Ținând cu o mână ansamblul capacului inferior, utilizați cealaltă mână pentru a apuca ansamblul capacului inferior și aliniați urechile de pe capacul superior cu orificiile din ansamblul capacului inferior (Fig. O3). Utilizați palma pentru a apăsa ansamblul capacului inferior până când urechile se blochează în capacul superior.
4. Urmăți instrucțiunile din „ÎNLOCUIREA FIRULUI” pentru a reincărca firul de tăiere.

ÎNȚREȚINEREA

⚠️ AVERTISMENT: La depanare, utilizați numai piese de schimb identice. Inspectați și efectuați întreținerea mașinii cu regularitate. Pentru siguranța și fiabilitatea produsului, toate reparațiile trebuie efectuate de către un tehnician de service autorizat.

⚠️ AVERTISMENT: Sculele electrice alimentate cu baterii nu trebuie să fie racordate la o priză electrică; de aceea, acestea sunt întotdeauna în stare de funcționare. Pentru prevenirea vătămărilor corporale grave, adoptați măsuri de siguranță suplimentare și de îngrijire când efectuați operații de întreținere, service sau înlocuiri accesoriile de tăiere sau alte accesorii.

⚠️ AVERTISMENT: Pentru prevenirea vătămărilor corporale grave, deconectați conectorul acumulatorului din priză înainte de a depana, curăța, înlocui accesoriile detașabile sau de a îndepărta materialul din produs.

LUBRIFIĂȚI CARCASA CUTIEI DE VITEZE

Pentru funcționare optimă și durată mai lungă de viață, lubrifiați carcasa cutiei de viteze cu un lubrifiant special (4-5 g de fiecare dată) după fiecare 50 de ore de funcționare. Vaselina specială trebuie să îndeplinească următoarele cerințe.

1. Să facă parte din clasa DIN51818: NLGI-1 privind gradul de penetrare cu con.
2. Vaselină pe bază de ester.
3. Pomire excelentă la temperatură joasă, PE, forfecare mecanică, rezistență la abraziune și proprietăți de stabilitate la oxizi.
4. Temperatura de funcționare trebuie să fie cuprinsă între -40~180°C. Scoateți mufa acumulatorului și șurubul de etanșare. Lubrifiați carcasa cutiei de viteze prin orificiul de ungere.

⚠️ AVERTISMENT: Nu lubrifiați în timp ce coasa pentru iarbă este conectată încă la acumulator sau funcționează încă.

CURĂȚAREA PRODUSULUI

- Curățați scula electrică cu o cârpă umedă, înmuată în detergent cu acțiune moderată.
- Nu utilizați detergenți puternici pe carcasa de plastic sau pe mâner. Acestea pot fi deteriorate de anumite uleiuri parfumate precum brad și lămâie, și de către solvenți precum kerosenul. Umezeala poate cauza un risc de electrocutare. Ștergeți orice urmă de umezeală cu o cârpă uscată.

DEPOZITAREA PRODUSULUI

- Scoateți conectorul acumulatorului din priza de pe cositoarea cu fir când aceasta nu este utilizată.
- Curățați scula bine înainte de a o depozita.
- Depozitați produsul într-un loc uscat, bine ventilat, închis cu cheia sau la înălțime, inaccesibil copiilor. Nu depozitați produsul peste sau lângă îngrășăminte, benzină sau alte substanțe chimice.
- Folosiți o husă de transport în cazul lamelor metalice, pe durata transportului și a depozitării.

Protejarea mediului înconjurător



Nu eliminați echipamentul electric, încărcătorul de acumulator și acumulatorul împreună cu deșeurile menajere! Predați acest produs unui punct de reciclare autorizat sau puneți-l la dispoziția colectării separate. Sculele electrice trebuie returnate unui centru de reciclare ecologic.

GHID DE DEPANARE

PROBLEMĂ	CAUZĂ	SOLUȚIE
Cositoarea nu pornește.	<ul style="list-style-type: none"> ■ Setul de acumulatori nu este atașat la cositoarea cu fir. ■ Nu există contact electric între cositoarea cu fir și acumulator. ■ Setul de acumulatori este descărcat. 	<ul style="list-style-type: none"> ■ Atașați setul de acumulatori la cositoarea cu fir. ■ Reintroduceți setul de acumulatori cu încărcătorul specificat. ■ Încărcați setul de acumulatori.
Cositoarea se oprește din funcționat.	<ul style="list-style-type: none"> ■ Apărătoarea nu este montată pe cositoare, având ca rezultat un fir de tăiere prea lung și suprasolicitarea motorului. ■ Este utilizat un fir de tăiere gros. ■ Axul motorului sau capul cositorii este blocat cu iarbă. ■ Motorul este suprasolicitat. ■ Setul de acumulatori sau cositoarea sunt prea fierbinți. ■ Conectorul acumulatorului este deconectat de la sculă. ■ Setul de acumulatori este descărcat. 	<ul style="list-style-type: none"> ■ Scoateți conectorul acumulatorului din priză și montați apărătoarea pe cositoare. ■ Utilizați firul de nailon de tăiere recomandat cu diametrul de maxim 3,0 mm. ■ Oprii cositoarea, îndepărtați acumulatorul și curățați iarbă de pe axul motorului și capul cositorii. ■ Mașina își va reveni după ce sarcina este îndepărtată. Pentru lucru continuu, reduceți sarcina mașinii. ■ Lăsați setul de acumulatori sau cositoarea cu fir să se răcească până când temperatura scade sub 67°C. ■ Reconectați conectorul. ■ Încărcați setul de acumulatori.

PROBLEMĂ	CAUZĂ	SOLUȚIE
Firul de tăiere nu poate fi eliberat.	<ul style="list-style-type: none"> ■ Axul motorului sau capul cositorii este blocat cu iarbă. ■ În capul cositorii nu mai este suficient fir. ■ Capul cositorii este murdar. ■ Firul este încurcat în capului cositorii. ■ TFirul este prea scurt. 	<ul style="list-style-type: none"> ■ Opriți cositoarea, îndepărtați acumulatorul și curățați iarba de pe axul motorului și capul cositorii. ■ Îndepărtați acumulatorul și înlocuiți firul de tăiere; respectați instrucțiunile din capitolul „ÎNLOCUIREA FIRULUI” din acest manual. ■ Îndepărtați acumulatorul și curățați ansamblul carcasei inferioare, bobina și capacul superior. ■ Îndepărtați acumulatorul, îndepărtați firul de pe bobină și înfășurați; respectați instrucțiunile din capitolul „ÎNLOCUIREA FIRULUI” din acest manual. ■ Scoateți acumulatorul și scoateți firele în timp ce apăsați alternativ în jos și eliberați capul cositorii.
Iarbă înfășurată în jurul capului cositorii și al carcasei motorului.	<ul style="list-style-type: none"> ■ Se taie iarbă înaltă la nivelul solului. 	<ul style="list-style-type: none"> ■ Tăiați buruienile în mai multe secțiuni de la vârf la nivelul solului.

GARANȚIA

POLITICA DE GARANȚIE EGO

Vă rugăm consultați website-ul egopowerplus.com pentru termenii și condițiile complete ale politicii de garanție EGO.

PREBERITE VSA NAVODILA!



PREBERITE PRIROČNIK Z NAVODILI ZA UPORABO

⚠ OPOZORILO: Tveganje zaradi preostalega toka! Pred uporabo izdelka se morajo osebe z elektronskimi napravami, kot je srčni spodbujevalnik, posvetovati s svojim zdravnikom. Delovanje električne opreme v bližini srčnega spodbujevalnika lahko povzroči motnje ali okvaro srčnega spodbujevalnika.



Varnostno opozorilo



Nosite zaščito za oči – pri upravljanju tega izdelka vedno nosite zaščitna očala ali varnostna očala s stransko zaščito in zaščito za celoten obraz.



Nosite zaščito za ušesa – pri upravljanju tega izdelka vedno nosite zaščito za ušesa.



Uporabljajte zaščito za glavo – za zaščito glave nosite odobreno varnostno čelado.



Ne nameščajte okroglih rezil.



Širina – največja širina košnje kosilnice z nitko



Poskrbite, da bodo drugi ljudje in hišni ljubljenci vsaj 15 m stran od kosilnice z nitko, ko je v uporabi.



Zajamčena raven zvočne moči. Emisije hrupa v okolico so v skladu z direktivo Evropske skupnosti.



Odpadnih električnih izdelkov ne odlagajte med gospodinjske odpadke. Odnosite jih na pooblaščen obrat za recikliranje.

n_0

Hitrost brez obremenitve-Vrtilna hitrost brez obremenitve



Enosmerni tok

VARNOSTNI SIMBOLI

⚠ OPOZORILO: delovanje katerega koli električnega orodja lahko povzroči metanje tujkov v vaše oči, kar lahko povzroči resne poškodbe očesa. Pred začetkom dela z električnim orodjem vedno nosite zaščitna očala ali varnostna očala s stranskimi zaščitami in po potrebi tudi ščit za celoten obraz. Priporočamo vam uporabo varnostne maske Wide Vision Safety Mask za uporabo preko očal ali standardnih varnostnih očal s stransko zaščito..



Za zmanjšanje nevarnosti poškodb je pomembno, da uporabnik prebere priročnik z navodili za uporabo.



Uporabljajte zaščitno obutev – med uporabo te opreme nosite neдрsečo zaščitno obutev.



Uporabljajte zaščitne rokavice – pri rokovanju z rezilom ali zaščito rezila roke zaščitite z rokavicami.



Bodite pozorni na sunek rezila – upravljavca opozorite na nevarnost sunka rezila.



Premer – premer najlonske nitke



Sunjeni predmeti se lahko odbijejo in povzročijo telesno poškodbo ali poškodbo lastnine. Poskrbite, da bodo drugi ljudje in hišni ljubljenci ustrezno oddaljeni od motorne kose, ko je ta v uporabi.



Naprave ne uporabljajte v dežju ali je puščajte zunaj, ko dežuje.



Ta izdelek je skladen z veljavnimi direktivami ES.

V Napetost

.../min Na minuto

kg Kilogram

TEHNIČNI PODATKI

Napetost	56 V ---	
Hitrost brez obremenitve	Do 5800/min	
Mehanizem za košnjo	Udarna glava	
Vrsta nitke za košnjo	3,0-mm najlonska zavita nitka	
Širina košnje	38 cm	
Priporočena delovna temperatura	0 °C–40 °C	
Priporočena temperatura za shranjevanje	-20 °C–70 °C	
Optimalna temperatura polnjenja	5 °C–40 °C	
Teža (brez baterijskega sklopa)	5,8 kg	
Izmerjena raven zvočne moči L_{WA}	94,2 dB(A) K=1,8 dB(A)	
Raven zvočnega tlaka v ušesu upravljavca L_{PA}	74,15 dB(A) K=2,5 dB(A)	
Zajamčena raven zvočnega tlaka L_{WA} (izmerjena v skladu z 2000/14/ES)	96 dB(A)	
Vrednotenje oddajanja vibracij a_h	Nastavljiv sprednji ročaj za prijem	3,2 m/s ² K=1,5 m/s ²
	Zadnji ročaj	2,3 m/s ² K=1,5 m/s ²

- Deklarirana skupna vrednost vibracij je bila izmerjena v skladu s standardno preskusno metodo in se lahko uporabi za medsebojno primerjavo različnih orodij;
- Navedena skupna vrednost vibracij se lahko uporabi za predhodne ocene izpostavljenosti.

OPOMBA: Emisije vibracij se lahko med dejansko uporabo električnega orodja razlikujejo od deklarirane vrednosti, pri kateri se orodje uporablja. Z namenom zaščite upravljavca mora uporabnik v dejanskih pogojih uporabe nositi rokavice in zaščito za ušesa.

VSEBINA PAKETA (Slika A1)

OPIS

SPOZNAJTE SVOJO KOSILNICO Z NITKO (slika A1)

1. Vtičnica
2. Vzvod za odklepanje

3. Mejni obroč
4. Krožni ročaj
5. Nitka za košnjo
6. Sklop varovala
7. Gred
8. Sprožilec
9. Zadnji ročaj
10. Glava kosilnice (udarna glava)
11. Jeziček za sprostitvev
12. Rezilo nitke za košnjo
13. Varnostni pregradni drog (samo za glavo motorne kose)
14. Pridrlni drog za varnostni pregradni drog (samo za glavo motorne kose)
15. Zunanja prirobnica (samo za glavo motorne kose)
16. Matica (samo za glavo motorne kose)
17. Vijak
18. Imbus ključ

SESTAVA

⚠ OPOZORILO: če so deli poškodovani ali manjkajo, izdelka ne uporabljajte, dokler deli niso zamenjani. Če ta izdelek uporabljate s poškodovanimi ali manjkajočimi deli, se lahko resno poškodujete.

⚠ OPOZORILO: tega orodja ne poskušajte spreminjati in ne poskušajte izdelovati dodatkov, ki niso primerni za uporabo s to kosilnico z nitko. Vsako tako spreminjanje ali predelava je napačna uporaba in lahko povzroči tveganja, ki povzročijo telesne poškodbe.

⚠ OPOZORILO: pri nameščanju delov vedno izključite baterijski priključek iz vtičnice, da preprečite nenamerni zagon, ki bi lahko povzročil resno telesno poškodbo.

⚠ OPOZORILO: Kadar je orodje opremljeno z glavo motorne kose, mora biti nameščena varnostni pregradni drog.

NAMESTITEV VAROVALA

⚠ OPOZORILO: pri nameščanju ali zamenjavi varovala vedno nosite rokavice. Pazite na rezilo na ščitniku in dlan zaščitite, da se ne urežete.

⚠ OPOZORILO: orodja nikoli ne upravljajte brez varovala trdno nameščenega na mestu. Ščitnik mora biti vedno nameščen na orodju za zaščito uporabnika. Ko je ščitnik pritrjen, ga nikoli ne poskušajte odstraniti ali prestaviti. Ščitnik lahko zamenja samo usposobljeni servisni tehnik.

Na varovalu odvijte in odstranite dva vijaka (slika B), odprtine za montažo varovala poravnajte z odprtinami sklopa in nato varovalno zaklenite na podnožje gredi z dvema vijakoma in z dvema vzmetnima podložkama (slika C).

⚠ OPOZORILO: prepričajte se, da je varovalo pritrjeno v skladu s slikama B in C. Kakršna koli drugačna namestitvev bo povzročila veliko nevarnost.

NAMEŠČANJE IN PRILAGAJANJE KROŽNEGA ROČAJA

1. Ustavite motor in baterijski sklop izključite iz vtičnice, če je nameščen.
2. Odvijte krilno matico, da odstranite nastavljeni krožni ročaj (slika D).

OPOMBA: na krožni ročaj s pomočjo dveh vijakov namestite sklop varnostnega pregradnega droga, kadar je orodje opremljeno z glavo motorne kose.

Slika D: za opis delov glejte spodaj:

D-1	Krožni ročaj	D-4	Varnostni pregradni drog (samo za glavo motorne kose)
D-2	Pritrdilni blok	D-5	Pritrdilni drog
D-3	Krilna matica		

OPOMBA: obstajata dve vrsti pritrdilnega droga, krajši je glava kosilnice. Daljši je namenjen glavi motorne kose. Pri uporabi orodja pazite, da boste izbrali pravi pritrdilni drog.

3. Krožni ročaj potisnite na gred na sprednji strani mejnega obroča. Nikoli ga ne namestite med mejni obroč in območje zadnjega ročaja (slika E).

OPOMBA: krožni ročaj namestite med mejni obroč in nalepko z opozorilom, če je orodje opremljeno z glavo motorne kose (slika F).

4. Pritrdilni blok vstavite v režo ročaja (slika G).
5. Namestite pritrdilni drog in ga privijte s krilno matico. Preverite, ali je krožni ročaj obrnjen navzgor v smeri zgornjega dela zadnjega ročaja (slika H).
6. Krožni ročaj namestite med mejni obroč in nalepko, dokler ne najdete udobnega položaja pri uporabi kosilnice.
7. Zaklenite ročico pritrdilnega droga (slika I).

⚠ OPOZORILO: orodja nikoli ne upravljajte, če krožni ročaj ni trdno nameščen.

⚠ OPOZORILO: med mejni obroč in nalepko namestite samo krožni ročaj.

ZAMENJAVA GLAVE KOSILNICE S 3-ZOBIM REZILOM

1. Odstranite električni vtič s kosilnice z nitko.
2. Zavrtite glavo kosilnice z nitko, da poravnate režo v prirobnici z odprtino za zaklep gredi v prestavnem ohišju, in v odprtino vstavite stabilizator (slika J).
3. Glavo kosilnice z nitko zavrtite v smeri urinega kazalca, da jo odstranite (slika J).
4. Odstranite dodatek varovala tako, da sprostite tri vijake s podložko (slika K3).

OPOMBA: pred kakršnim koli delom s 3-zobim rezilom si morate nadeti zaščitne rokavice, da se zaščitite pred poškodbami.

5. Notranjo prirobnico in pokrov prirobnice namestite na svoje mesto (slika L1).
6. Rezilo namestite na gred motorja, pri čemer mora biti površina rezila poravnana s površino izbokline notranje prirobnice. Namestite zunanjo prirobnico in matico (slika L2). Matico z roko vnaprej privijte V NASPROTNI SMERI URINEGA KAZALCA.
7. Položite ohišje zobnikov na trdo površino, ki bo nudila ustrezno podporo. Z eno roko pridržite gred motorne kose, z drugo pa primite večnamenski ključ in zategnite matico v smeri, označeni s puščico na zunanji prirobnici (slika L3).

UPRAVLJANJE

⚠ OPOZORILO: Četudi se dodobra seznanite s tem izdelkom, pri rokovanju z njim ne postanite neprevidni. Pomnite, da je brezskrbni delec sekunde dovolj za resno poškodbo.

⚠ OPOZORILO: vedno nosite zaščito za oči in ušesa. Če tega ne storite, vam lahko v oči priletijo predmeti ali pride do drugih hudih poškodb.

⚠ OPOZORILO: Ne uporabljate priključkov ali dodatkov, ki jih proizvajalec tega izdelka ne priporoča. Uporaba priključkov ali dodatkov, ki niso priporočeni, lahko privede do hudih telesnih poškodb.

⚠ OPOZORILO: pred servisiranjem, čiščenjem, zamenjavo priključkov ali odstranjevanjem materiala iz enote baterijski sklop izključite iz vtičnice, da preprečite resno telesno poškodbo.

Ta izdelek lahko uporabljate za naslednje namene:

Obrezovanje: uporablja se za odstranjevanje trave in plevela ob stenah, ograjah, drevsih in mejah.

Košnja: uporablja se za košnjo trave, ki jo je z običajno kosilnico težko doseči.

OPOMBA: orodje lahko uporabljate samo za predpisan namen. Kakršna koli druga uporaba, kot je obrezovanje robov, se smatra za nepravilno uporabo.

PRIKLJUČITEV/ODKLOP BATERIJSKEGA KABLA

Napravo uporabljajte le z akumulatorskimi baterijami in polnilniki, navedenimi v sliki A2.

Pred prvo uporabo popolnoma napolnite baterijski sklop

Namestitev baterijskega sklopa (slika M)

Vtič ▲ pravnajte s kosilnico ▲ z nitko. Vtič vstavite v napravo, dokler zeleno tesnilo popolnoma ne izgine v vtičnico.

Odstranitev

Kabel baterije sprostite iz namestitvenega utora ter vtič izvlecite iz kosilnice z nitko.

ZAGON/ZAUSTAVITEV KOSILNICE Z NITKO (slika N)

Zagon

Vzvod za odklepanje potisnite v položaj »ON«, zaklepni jeziček potisnite naprej, nato pritisnite sprožilec stikala. Sprožilec omogoča brezstopenjsko nastavljanje hitrosti. Bolj kot povlečete sprožilec, višja je hitrost.

N-1	Vzvod za odklepanje	N-3	Sprožilec stikala
N-2	Zaklepni jeziček		

Zaustavitev

Sprostite sprožilec stikala ter gumb za odklepanje potisnite v položaj »OFF«.

⚠ OPOZORILO: med delovnimi odmori in po končanem delu baterijski sklop vedno izključite iz vtičnice.

UPORABA KOSILNICE Z NITKO

⚠ OPOZORILO: da se izognete resni telesni poškodbi, nosite očala ali zaščitna očala ves čas upravljanja enote. Na prašnih lokacijah uporabljajte obrazno masko ali protiprašno masko.

Območje rezanja pred vsako uporabo počistite. Odstranite vse predmete, kot so kamni, zdrobljeno steklo, žebli, žica ali vrvi, ki jih lahko vrže ali se zapletejo v priključek za košnjo. Na območju naj ne bo otrok, opazovalcev in hišnih ljubljenčkov. Otroci, opazovalci in hišni ljubljenčki naj bodo oddaljeni vsaj 15 m. Še vedno lahko obstaja nevarnost letečih predmetov za opazovalce. Prisotni naj tudi uporabljajo zaščito za oči. Če pristopite, takoj ustavite motor in priključek za košnjo.

Pred vsako uporabo napravo pregledite za poškodovane/obrabljene dele.

Pregledite udarno glavo, ščitnik in krožno krmilo ter zamenjajte dele, ki so razpokani, zvitji, upognjeni ali kakor koli poškodovani.

Rezilo nitke za košnjo na robu ščitnika lahko sčasoma postane topo. Priporočljivo je, da ga redno ostrite s pilo ali ga zamenjate z novim rezilom.

Kosilnico z nitko po vsaki uporabi očistite.

⚠ POZOR: ovire v zračnikih bodo preprečile dovod zraka v ohišje motorja, kar bo vodilo v pregrevanje in poškodbe motorja.

- Za čiščenje orodja uporabite blago milo in vlažno krpo. Ne dovolite, da bi tekočina vstopila v orodje. Nobenega dela orodja nikoli ne potopite v katero koli tekočino.
- Poskrbite, da bodo zračne odprtine motorja vedno prosto prehodne.

⚠ OPOZORILO: obrezovalnika nikoli ne čistite z vodo. Pri čiščenju plastičnih delov se izogibajte uporabi topli. Večina vrst plastike se lahko pri uporabi različnih komercialnih topil poškoduje. Za odstranjevanje prahu, umazanije, olja, masti itd. uporabite čiste krpe.

PRILAGAJANJE DOLŽINE NITKE

Glava kosilnice z nitko upravljavcu omogoča sprostitev več nitke za košnjo brez zaustavitve motorja. Ko se nitka scefra ali obrabi, lahko sprostite dodatno nitko tako, da z gumbom za podajanje narahlo potolčete ob tla med delovanjem kosilnice.

OPOMBA: Sproščanje nitke bo postalo težje, ko bo nitka postajala krajša.

⚠ OPOZORILO: sklopa rezila ne odstranjujte ali spreminjajte. Prevelika dolžina nitke bo povzročila pregrevanje motorja, ki lahko povzroči resno telesno poškodbo.

Zamenjava nitke

OPOMBA: vedno uporabljajte priporočeno najlonsko nitko za košnjo s premerom, ki ni večji od 3,0 mm. Uporaba drugačne nitke lahko povzroči pregrete ali poškodbe kosilnice z nitko.

⚠ OPOZORILO: nikoli ne uporabljajte nitke s kovinsko ojačitvijo ali žice, vrvi itd. Lahko se odrgajo in postanejo nevarne.

1. Odstranite električni vtič s kosilnice z nitko.
2. Po potrebi odstranite preostalo nitko za košnjo.

3. Odrežite 8 metrov dolgo nitko za košnjo in jo vstavite v odprtino za namestitev v vstavitveni odprtini (slika O1). Potisnite nitko in jo izvelcite na drugi strani tako, da bosta na obeh straneh vretena enaki dolžini nitke.
4. Pritisnite in hkrati vrtite spodnji sklop pokrova v smeri puščice, da nitko navijete na vreteno in je na vsaki strani vretena približno 14 cm nitke (slika O2).
5. Sklop spodnjega pokrova potiskajte navzdol, medtem ko ročno vlečete nitko za ročno namestitev nitke, da preverite pravilno namestitev glave kosilnice za nitko.

Če se nitka za košnjo odloži iz izhoda za nitko ali če se nitka ne sprosti, ko udarite glavo kosilnice za nitko, upoštevajte spodnja navodila:

1. Pritisnite jezičke za sprostitev na zgornjem pokrovu in odstranite sklop spodnjega pokrova tako, da ga izvelčete naravnost ven (sliki K1 in K2).
2. Nitko za košnjo odstranite z vretena.
3. Z eno roko pridržite sklop spodnjega pokrova, z drugo roko pa primate sklop spodnjega pokrova in poravnajte jezičke na zgornjem pokrovu z odprtinami na sklopu spodnjega pokrova (slika O3). Z dlanko pritisnite sklop spodnjega pokrova, da se jezički zaklenejo z zgornjim pokrovom.
4. Za ponovno namestitev nitke za košnjo upoštevajte navodila v razdelku »ZAMENJAVA NITKE«.

VZDRŽEVANJE

⚠ OPOZORILO: za popravila uporabljajte le identične nadomestne dele. Stroj redno preverjajte in vzdržujte. Za zagotovitev varnosti in zanesljivosti mora vsa popravila izvesti usposobljen serviser.

⚠ OPOZORILO: baterijskih orodij ni potrebno priklopiti v električno vtičnico, zato so vedno v stanju delovanja. Da preprečite resno telesno poškodbo, bodite izjemno previdni pri vzdrževanju, servisiranju ali zamenjavi priključka za košnjo oziroma drugih priključkov.

⚠ OPOZORILO: pred servisiranjem, čiščenjem, zamenjavo dodatnih priključkov ali odstranjevanjem materiala iz enote baterijski sklop izkjučite iz vtičnice, da preprečite resno telesno poškodbo.

NAMAŽITE POGONSKO OHIŠJE

Za najboljše delovanje in daljšo življenjsko dobo pogonsko ohišje po vsakih 50 urah delovanja namažite s posebno masljo (vsakič 4–5 g).

Posebna mast mora izpolnjevati naslednje zahteve:

1. Stopnja penetracije stožca DIN51818:NLGI-1

2. Mast na osnovi estra
3. Odličen zagon pri nizki temperaturi, EP, mehansko striženje, odpornost na abrazijo in oksidativna stabilnost
4. Delovna temperatura –40~180 °C. Odstranite vtič baterije in tesnilni vijak. Mazanje pogonskega ohišja skozji odprtino za olje.

⚠ OPOZORILO: Ne mažite, ko je obrezovalnik še vedno priključen na baterijo ali deluje.

ČIŠČENJE ENOTE

- Enoto očistite z vlažno krpo in blagim detergentom.
- Za čiščenje plastičnega dela ročaja ne uporabljajte močnih čistilnih sredstev. Poškodujejo ga lahko določena aromatična olja, kot sta olje bora in limone, ter topila, kot je kerozin. Vlaga prav tako lahko ustvari nevarnost električnega udara. Vlago obrišite z mehko in suho krpo.

SHRANJEVANJE ENOTE

- Kadar kosilnice za nitko ne uporabljate, baterijski sklop izkjučite iz vtičnice v kosilnici.
- Orodje pred shranjevanjem temeljito očistite.
- Shranite ga v suhem in dobro zračenem prostoru, ki se zaklepa ali je dvignjen, da ne bo na doseg otrok. Enote ne shranjujte na ali v bližino gnojil, bencina ali drugih kemikalij.
- Pri transportu ali shranjevanju uporabljajte pokrov.

Varovanje okolja



Električne opreme, iztrošene baterije in polnilnika ne odvrzite med gospodinjске odpadke. Izdelek odnesite na pooblaščen obrat za recikliranje in ga zavrzite ločeno. Električna orodja je treba odnesti na obrat za recikliranje in ga reciklirati na okolju prijazen način.

ODPRAVLJANJE TEŽAV

TEŽAVA	VZROK	REŠITEV
Zagon ni mogoč.	<ul style="list-style-type: none"> ■ Baterijski sklop ni pritrjen na kosilnico z nitko. ■ Med kosilnico z nitko in akumulatorjem ni električnega stika. ■ Baterijski sklop je izpraznjen. 	<ul style="list-style-type: none"> ■ Baterijski sklop pritrдите na kosilnico z nitko. ■ Ponovno napolnite baterijski sklop z navedenim polnilnikom. ■ Baterijski sklop napolnite.
Trava se ovije okoli glave kosilnice in ohišja motorja.	<ul style="list-style-type: none"> ■ Varovalo ni nameščeno na kosilnici z nitko, zato prihaja do predolge nitke za košnjo predolga in do preobremenjenosti motorja. ■ Uporabljate težko nitko za košnjo. ■ Okoli gredi motorja ali glave kosilnice z nitko je ovita trava. ■ Motor je preobremenjen. ■ Baterijski sklop ali kosilnica z nitko meje je prevroča. ■ Priključek baterijskega sklopa ni priključen na orodje. ■ Baterijski sklop je izpraznjen. 	<ul style="list-style-type: none"> ■ Baterijski sklop izključite iz vtičnice in na kosilnico namestite varovalo. ■ Uporabljajte standardno najlonsko nitko za košnjo s premerom do 3,0 mm. ■ Zaustavite kosilnico z nitko, odstranite akumulator, nato pa odstranite travo z gredi in glave kosilnice z nitko. ■ Naprava bo spet delovala, ko boste odpravili obremenitev. Za neprekinjeno delovanje zmanjšajte obremenitev stroja. ■ Baterijski sklop ali kosilnico z nitko ohladite do temperature, ki je nižja od 67 °C. ■ Ponovno ga priključite. ■ Baterijski sklop napolnite.
Не удаётся вытянуть леску.	<ul style="list-style-type: none"> ■ Okoli gredi motorja ali glave kosilnice z nitko je ovita trava. ■ V glavi kosilnice ni dovolj nitke. ■ Glava kosilnice z nitko je umazana. ■ Nitka je zapletena v glavi kosilnice. ■ Nitka je prekratka. 	<ul style="list-style-type: none"> ■ Zaustavite kosilnico z nitko, odstranite akumulator, nato pa odstranite travo z gredi motorja in glave kosilnice z nitko. ■ Odstranite baterijo in namestite nitko. Pri tem sledite navodilom v razdelku »ZAMENJAVA NITKE« tega priročnika. ■ Odstranite akumulator in očistite sklop spodnjega pokrova, vreteno in zgornji pokrov. ■ Odstranite baterijo, odstranite nitko z vretena in jo ponovno navijte. Pri tem sledite navodilom v razdelku »ZAMENJAVA NITKE« tega priročnika. ■ Odstranite akumulator in povlecite nitko, medtem ko izmenično pritiskate in sproščate glavo kosilnice z nitko.

TEŽAVA	VZROK	REŠITEV
Trava se oмотava oko glave šišača trave i kućišta motora	<ul style="list-style-type: none">▪ Košnja visoke trave pri tleh.	<ul style="list-style-type: none">▪ Travo odrežite v več slojih od zgoraj navzdol.

GARANCIJA

GARANCIJSKA POLITIKA DRUŽBE EGO

Za popolne pogoje garancijske politike družbe EGO obiščite spletno stran egopowerplus.com.

PERSKAITYKITE VISĄ INSTRUKCIJĄ!



PERSKAITYKITE NAUDOJIMO INSTRUKCIJĄ

⚠️ ĮSPĖJIMAS: Liekamasis pavojus! Žmonėms, kuriems implantuoti elektroniniai prietaisai, pvz., širdies stimulatoriai, prieš pradėdami naudoti šį gaminį, reikia pasitarti su savo gydytoju (-ais). Arti širdies stimulatoriaus veikianti elektros įranga gali trikdyti širdies stimulatoriaus veikimą arba jį sugadinti.



Saugos įspėjimas



Dėvėkite akių apsaugos priemones naudodami šį gaminį, visada užsidėkite apsauginius akinius arba apsauginius akinius su šonine apsauga ar visą veidą dengiantį skydelį.



Dėvėkite ausų apsaugos priemones dirbdami su šiuo gaminiu visada užsidėkite apsaugines ausines.



Užsidėkite galvos apsaugos priemonę galvai apsaugoti užsidėkite patvirtintą apsauginį šalną.



Nenaudokite apskritų pjovimo diskų.



Plotis: didžiausiasis žoliapjovės su lyneliu pjovimo tako plotis.



Pjudami žoliapjove su lyneliu, neieškite kitiems žmonėms ir naminiams gyvūnams prisiartinti arčiau nei per 15 metrų.



Garantuojamas garso galios lygis. Triukšmo sklaida į aplinką atitinka Europos Bendrijos direktyvą.



Elektros prietaisų atliekas draudžiama utilizuoti kartu su buitinėmis atliekomis. Perduoti įgaliotam perdirbėjui.

n_0

Sūčiai be apkrovos-Sukimosi greitis be apkrovos



Nuolatinė elektros srovė

SAUGOS SIMBOLIAI

⚠️ ĮSPĖJIMAS: Bet koks elektrinis įrankis naudojimo metu gali išsviesti šiukšles, kurios gali pataikyti į akis ir sunkiai jas sužaloti. Prieš pradėdami naudoti elektrinį įrankį, visada užsidėkite apsauginius akinius arba apsauginius akinius su šonine apsauga ir, jei reikia, visą veidą dengiantį skydelį. Rekomenduojame naudoti platų matymo lauką užtikrinančią apsauginę kaukę, dedamą ant akinių, arba standartinius apsauginius akinius su šonine apsauga.



Norėdamas sumažinti susižalojimo pavojų, naudotojas privalo perskaityti naudojimo instrukciją.



Avėkite apsauginę avalynę naudodami šį gaminį mėvėkite neslidžią avalynę.



Mūvėkite apsaugines pirštines tvarkydami peilį ar jo apsaugą, apsaugokite rankas pirštinėmis.



Saugokitės pjovimo galvutės atatranksio įspėkite operatorių apie peilio atoveiksčio keliamą pavojų.



Skersmuo: nailoninio pjovimo lynelio skersmuo.



Išsviesti svetimkūniai gali atšokti ir sužaloti žmones ar sugadinti turtą. Kitai žmonės ir naminiai gyvūnai turi atsitraukti toliau nuo naudojamos žoliapjovės.



Nenaudokite lyjant ir nepalikite lauke per lietų.



Šis gaminytis atitinka taikomas EB direktyvas.

V

lįtama


.../min

Per minutę

kg

Kilogramai

TECHNINIAI DUOMENYS

Įtampa	56 V 	
Sūkiai be apkrovos	Iki 5800 aps./min.	
Pjovimo mechanizmas	Pjovimo galvutė	
Pjovimo valo tipas	3,0mm nailoninis susuktas pjovimo valas	
Pjovimo plotis	38 cm	
Rekomenduojama darbinė temperatūra	Nuo 0°C iki 40 °C	
Rekomenduojama sandėliavimo temperatūra	Nuo -20 °C iki 70 °C	
Optimali įkrovimo temperatūra	Nuo 5°C iki 40 °C	
Svoris (be akumulatoriaus)	5,8 kg	
Išmatuotas garso galios lygis L_{WA}	94,2 dB(A) K=1,8 dB(A)	
Garso slėgio lygis ties operatoriaus ausimi L_{PA}	74,15 dB(A) K=2,5 dB(A)	
Garantuojamas garso galios lygis L_{WA} (išmatuotas pagal 2000/14/EB)	96 dB(A)	
Vibracijų įvertinimas a_{hv} :	Priekinė pagalbinė rankena	3,2 m/s ² K=1,5 m/s ²
	Galinė rankena	2,3 m/s ² K=1,5 m/s ²

LT

- Nurodyta bendroji vibracijos vertė išmatuota taikant standartinį bandymo metodą, todėl pagal ją galima palyginti skirtingus įrenginius.
- Nurodytą bendrąją vibracijos vertę taip pat galima naudoti pirminiam poveikio vertinimui.

PASTABA: Naudojant įrenginį realiomis sąlygomis, skleidžiamos vibracijos stiprumo vertė gali skirtis nuo nurodytos. Kad apsisaugotų dirbdamas realiomis sąlygomis, naudotojas turi mūvėti pirštines ir naudoti ausų apsaugos priemones.

PAKUOTĖS TURINIO SĄRAŠAS (A1 Pav.)

APRAŠAS

SUŽINOKITE, KAIP VEIKIA ŽOLIAPJOVĖ (A1 pav.)

1. Lizdas

2. Fiksavimo svirtelė
3. Tarpinis žiedas
4. Lanko formos rankena
5. Žoliapjovės pjovimo valas
6. Apsaugos konstrukcija
7. Velenas
8. Gaidukas
9. Galinė rankena
10. Žoliapjovės galvutė (pjovimo valas paduodamas spustelėjus galvutę į žemę)
11. Atlaisvinimo auselė
12. Pjovimo valo nukirtimo peilis
13. Apsauginis ribotuvas (tik krūmapjovės galvutei)
14. Fiksavimo kaištis apsauginiam ribotuviui (tik krūmapjovės galvutei)
15. Išorinė jungė (tik krūmapjovės galvutei)
16. Veržlė (tik krūmapjovės galvutei)
17. Varžtas
18. Šešiabriaunis raktas

SURINKIMAS

⚠️ ĮSPĖJIMAS. Jei kurios nors dalys pažeistos arba jų nėra, nenaudokite šio gaminio tol, kol tos dalys nebus pakeistos. Naudodami šį gaminį, kai dalys yra pažeistos arba jų trūksta, galima sunkiai susižaloti.

⚠️ ĮSPĖJIMAS. Nebandykite keisti šio įrenginio arba kurti priedus, kurių nerekomenduojama naudoti su šia žoliapjove. Visi tokie pakeitimai laikomi netinkamu naudojimui ir gali sukelti pavojingas situacijas, kurių metu galite būti sunkiai susižaloti.

⚠️ ĮSPĖJIMAS. Norėdami išvengti atsitiktinio paleidimo, kuris gali lemti sunkų sužalojimą, dalių surinkimo metu visada ištraukite akumulatoriaus kištuką iš lizdo.

⚠️ ĮSPĖJIMAS. Kai įrankyje sumontuota krūmapjovės galvutė, turi būti sumontuotas apsauginis ribotuvas.

APSAUGOS MONTAVIMAS

⚠️ ĮSPĖJIMAS. Montuodami arba keisdami apsaugą būtinai mūvėkite pirštines. Atidžiai elkitės su ant apsaugos sumontuotu peiliu ir saugokite rankas nuo įpjovimo.

⚠️ ĮSPĖJIMAS. Niekada nenaudokite įrankio, kai jo apsauga nėra įtvirtinta. Apsauga visada turi būti uždėta ant įrenginio ir saugoti naudotoją! Po to, kai apsauga įtvirtinama, niekada nesistenkite jos nuimti arba sureguliuoti. Jeigu apsaugą reikia pakeisti, tai turi atlikti kvalifikuotas techninės priežiūros specialistas!

Išsukite du varžtus iš apsaugos (B pav.), sulygininkite apsaugos tvirtinimo skyles su apsaugos konstrukcijos skyklėmis ir pritvirtinkite apsaugą ant veleno pagrindo dviem varžtais kartu su spyruoklinėmis poveržlėmis (C pav.).

⚠️ ĮSPĖJIMAS. Įsitinkinkite, kad apsauga pritvirtinta kaip parodyta B ir C pav. Apsaugą sumontavus atvirščiai kils didelis pavojus!

LANKO FORMOS RANKENOS SUMONTAVIMAS IR REGULIAVIMAS

- Sustabdykite variklį ir ištraukite akumulatoriaus kištuką iš lizdo, jeigu yra .
- Atlaisvinkite sparnuotąją veržlę, kad galėtumėte nuimti lanko formos rankeną (D pav.).

PASTABA. Kai ant įrankio yra uždėta krūmapjovės galvutė, sumontuokite apsauginį ribotuvą.

D pav. pavaizduotų dalių aprašas:

D-1	Lanko formos rankena	D-4	Apsauginis ribotuvas (tik krūmapjovės galvutei)
D-2	Fiksavimo kaladėlė	D-5	Fiksavimo kaištis
D-3	Sparnuotoji veržlė		

PASTABA. Yra dviejų rūšių fiksavimo kaiščiai. Trumpesnis yra skirtas žoliapjovės galvutei. Ilgesnis yra skirtas krūmapjovės galvutei. Būkite atidūs ir pasirinkite tinkamą fiksavimo kaištį.

- Užmaukite lanko formos rankeną priešais tarpinį žiedą. Niekada jos neuždėkite tarp tarpinio žiedo ir galinės rankenos (E pav.).

PASTABA. Kai įrankyje sumontuota krūmapjovės galvutė, lanko formos rankeną tvirtinkite tarp tarpinio žiedo ir įspėjamojo lipduko (F pav.).

- Įstatykite prispaudimo bloką į rankenos angą (G pav.).
- Sumontuokite fiksavimo kaištį ir jį priveržkite sparnuotąją veržlę. Įsitinkinkite, kad lanko formos rankena nukreipta į viršų ir galinės rankenos viršutinės dalies link (H pav.).
- Lanko formos rankenos padėtį reguliuokite tarp tarpinio žiedo ir lipduko, kol rasite jums patogią žoliapjovės naudojimo padėtį. .
- Užfiksuokite fiksavimo kaiščio svirtelę (I pav.).

⚠️ ĮSPĖJIMAS. Niekada nenaudokite įrankio, jeigu nėra tvirtai įtvirtinta lanko formos rankena.

⚠️ ĮSPĖJIMAS. Lanko formos rankeną tvirtinkite tik tarp tarpinio žiedo ir lipduko.

ŽOLIAPJOVĖS GALVUTĖS KEITIMAS Į TRIAŠMENĮ PEILĮ

- Iš žoliapjovės ištraukite kištuką.
- Pasukite žoliapjovės galvutę, kad anga jungėje susilygintų su veleno fiksavimo anga reduktoriaus korpusė, ir įstatykite į angą šešiabriaunį raktą (J pav.).
- Kad nuimtumėte žoliapjovės galvutę, sukite ją pagal laikrodžio rodyklę (J pav.).
- Nuimkite apsaugos priedą atlaisvindami tris varžtus su poveržle (K3 pav.).

PASTABA. Tam, kad atlikdami veiksmus su triašmeniu peiliu išvengtumėte susižalojimo, mūvėkite pirštines.

- Įstatykite į vietą vidinę jungę ir jos dangtelį (L1 pav.).
- Uždėkite peilį ant variklio veleno taip, kad peilio paviršius būtų sulig vidinės jungės iškiša. Uždėkite išorinę jungę ir priveržkite veržlę (L2 pav.). Priveržkite veržlę ranka PRIES LAIKRODŽIO RODYKLĘ.
- Atremkite reduktoriaus korpusą į kieta paviršius. Viena ranka laikykite krūmapjovės veleną, o kita ranka suimkite universalų raktą ir priveržkite veržlę, vadovaudamiesi ant išorinės jungės nurodyta rodykle (L3 pav.).

NAUDOJIMAS

⚠️ ĮSPĖJIMAS. dirbdami neatsipalaiduokite ir būkite budrūs. Atsiminkite, kad trumpam atitraukę dėmesį galite sunkiai susižaloti.

⚠️ ĮSPĖJIMAS. būtinai naudokite akių ir klausos organų apsaugos priemones. Priešingu atveju į akis gali pataikyti išsviestos šiukšlės arba galite kitaip sunkiai susižaloti.

⚠️ ĮSPĖJIMAS. nenaudokite jokių gamintojo nerekomenduotų priedų arba įtaisų. Naudodami nerekomenduojamus priedus arba įtaisus galite sunkiai susižaloti.

⚠️ ĮSPĖJIMAS. Kad išvengtumėte sunkių traumų, prieš atlikdami techninę priežiūrą, valydami įrankį, keisdami priedus arba valydami žolės likučius ištraukite akumulatoriaus kištuką iš lizdo.

Galite naudoti šį įrenginį toliau išvardytais tikslais:

Apkarpymas: naudojamas pašalinti žolėms ir piktžolėms prie sienų, tvorų, medžių ir bortelių.

Pjovimas: naudojamas žolei pjauti vietose, kurias sunku pasiekti naudojant įprastą vejapjovę.

PASTABA. Įrankį naudoti tik pagal numatytąją paskirtį. Naudojimas bet kokiais kitais paskirčiais, pvz., gyvatvorės kirpimui, laikomas netinkamu naudojimui.

AKUMULIATORIAUS KABELIO PRIJUNGIMAS / ATJUNGIMAS

Naudokite tik su A2 paveiksle nurodytomis sudėtinėmis baterijomis ir įkrovikliais.

Prieš naudodami pirmą kartą, visiškai įkraukite akumuliatorių.

Akumulatoriaus kabelio prijungimas (M pav.)

Lygiuokite kištuko ▲ žymę su žoliapjovės ▲ žyme. Stumkite kištuką į įrankį, kol žalias tarpiklis pasislėps lizde.

Atjungimas

Ištraukite akumulatoriaus laidą iš tvirtinimo griovelio ir ištraukite kištuką iš krūmapjovės.

ŽOLIAPJOVĖS PALEIDIMAS / STABDYMAS (N pav.)

Paleidžiant

Blokavimo svirtelę perjunkite į „ON“ (įjungta) padėtį, paspauskite fiksavimo liežuvėlį į priekį, tada paspauskite gaiduką. Gaiduku galite pasirinkti norimą greitį. Kuo labiau spaudžiate gaiduką, tuo didesniu greičiu jis sukasi.

N-1	Fiksavimo svirtelė	N-3	Gaidukas
N-2	Fiksavimo liežuvėlis		

Sustabdymas

Atleiskite gaiduką ir perjunkite fiksavimo svirtelę į „OFF“ (išjungta) padėtį.

▲ ĮSPĖJIMAS. Darydami pertraukas arba baigę darbą, visada ištraukite akumulatoriaus kištuką iš lizdo.

ŽOLIAPJOVĖS NAUDOJIMAS

▲ ĮSPĖJIMAS. Siekdami išvengti sunkaus susižalojimo, dirbdami su įrenginiu visada dėvėkite apsauginius akinius. Dirbdami dulkoje aplinkoje, užsidėkite visą veidą dengiančią kaukę arba respiratorių.

Prieš kiekvieną naudojimą išvalykite pjaunamą plotą. Pašalinkite viską, pavyzdžiui, akmenis, stiklo duženas, vinis, vielas arba laidus, t. y. objektus, kurie pjovimo įtaiso gali būti sviesti į šoną arba jame įsipainioti. Užtikrinkite, kad darbo zonoje nebūtų vaikų, pašalinių asmenų bei naminių gyvūnų. Vaikai, pašaliniai asmenys bei naminiai gyvūnai turi būti nutolę ne mažesniu kaip 15 m atstumu; net ir laikantis šio atstumo, žoliapjovės sviedžiamų objektų

pavojus pašaliniams asmenims keliamas išlieka. Šalia esantys asmenys turėtų dėvėti akių apsaugas. Jeigu matote jūsų link artėjantį asmenį, nedelsdami išjunkite įrenginį.

Kaskart prieš naudodami įrankį patikrinkite, ar nėra pažeistų ir (arba) sudilusių dalių

Apžiūrėkite pjovimo galvutę, apsaugą ir lanko formos rankeną. Pakeiskite sutrūkinėjusias, pakeitusias formą, sulinkusias arba bet kaip kitaip pažeistas dalis.

Apsaugos krašte sumontuotas pjovimo valo nukirtimo peilis laiku bėgant gali atšipti. Rekomenduojama reguliariai gaštą jį dilde arba pakeisti nauju.

Po kiekvieno naudojimo žoliapjovę išvalykite.

▲ DĖMESIO. Angose susikaupę pašaliniai objektai neleidžia orui patekti į variklio korpusą, dėl to variklis gali perkaisti arba sugesti.

- Įrenginį valykite tik šilpnu valikliu ir drėgna šluoste. Niekada neleiskite jokiam skysčiui patekti į įrenginio vidų; niekada nenardinkite jokios įrenginio dalies į skystį.
- Visada užtikrinkite, kad variklio korpuso ventiliacinėse angose nebūtų žolės likučių.

▲ ĮSPĖJIMAS. Niekada žoliapjovės valymui nenaudokite vandens. Plastikinių dalių valymui nenaudokite tirpiklių, įvairūs komerciniai tirpikliai ardo daugelį plastikų. Norėdami nuvalyti purvą, dulkes, tepalus, riebalus ir pan., naudokite švarias šluostes.

PJOVIMO VALO ILGIO REGULIAVIMAS

Operatorius gali ištraukti daugiau žoliapjovės galvutės pjovimo lynelio nestabdydamas variklio. Pjovimo lyneliui nudilus, jo galima daugiau ištraukti lengvai trinktelėjus žoliapjovės galvutę į žemės paviršių, neišjungiant žoliapjovės.

PASTABA: kuo pjovimo lynelis trumpesnis, tuo sunkiau jį ištraukti.

▲ ĮSPĖJIMAS: neišimkite ir nekeiskite lynelio pjovimo peilio konstrukcijos. Jeigu lynelis per ilgas, gali perkaisti variklis ir galite sunkiai susižaloti.

Lynelio keitimas

PASTABA. Visada naudokite rekomenduojamą nailoninį pjovimo valą, kurio skersmuo neviršija 3,0 mm. Naudojant kitokį, nei nurodyta, pjovimą valą žoliapjovė gali perkaisti arba sugesti.

⚠ ĮSPĖJIMAS. Niekada nenaudokite metalu armuoto valo, vielos, virvės ar pan. Jie gali nutrūkti ir būti pavojingai išsviesti.

1. Iš žoliapjovės ištraukite kištuką.
2. Jei reikia, pašalinkite likusį pjovimo lynelį.
3. Atpjaukite 8 m ilgio pjovimo lynelio atkarpą ir įkiškite į angą ašelėje (O1 pav.). Kiškite pjovimo lynelį ir ištraukite kitoje pusėje; traukite, kol abiejose ritės pusėse lynelio bus vienodo ilgio.
4. Paspaudę ir sukdami rodyklės kryptimi apatinę gaubto dalį, vyniokite lynelį ant ritės, kol abiejose pusėse liks maždaug po 14 cm lynelio (O2 pav.).
5. Norėdami ištraukti lynelį, paspauskite apatinę gaubto dalį ir rankomis ištraukite lynelio galus bei patikrinkite, ar tinkamai sumontuota žoliapjovės galvutė.

Kai pjovimo lynelis nutrūksta ties lynelio išleidimo anga arba nepailgėja stuktelėjus žoliapjovės galvutę į žemę, atlikite šiuos veiksmus:

1. Nuspauskite viršutinio gaubto atkabinimo auseles ir traukdami išimkite apatinę gaubto dalį (K1 ir K2 pav.).
2. Nuvyniokite pjovimo lynelį nuo ritės.
3. Viena ranka laikykite apatinę gaubto dalį, o kita suimkite apatinę gaubto konstrukciją ir įtaikykite viršutinio gaubto auseles į apatinio gaubto angas (O3 pav.); apatinę konstrukciją spauskite delnu iki auselės užsifiksuos viršutiniame gaubte.
4. Norėdami pakeisti pjovimo lynelį, laikykitės skyriuje „LYNELIO KEITIMAS“ pateiktų nurodymų.

TECHNINĖ PRIEŽIŪRA

⚠ ĮSPĖJIMAS. Atlikdami techninės priežiūros darbus, naudokite tik identiškas atsargines dalis. Įrenginį reguliariai apžiūrėkite ir tvarkykite. Norint užtikrinti saugų ir patikimą gaminio naudojimą visus remonto darbus turi atlikti kvalifikuotas techninės priežiūros specialistas.

⚠ ĮSPĖJIMAS. Akumuliatorių įrankių nereikia įjungti į elektros lizdą; jie visada yra darbinės būsenos. Norėdami išvengti rimtų sužalojimų, imkitės papildomų atsargumo priemonių ir būkite atidūs atlikdami techninę priežiūrą, aptamavinimą arba keisdami pjovimo įtaisą ar kitus priedus.

⚠ ĮSPĖJIMAS. Kad išvengtumėte sunkių traumų, prieš atlikdami techninę priežiūrą, valydami įrankį, keisdami papildomus priedus arba valydami žolės likučius ištraukite akumulatoriaus kištuką iš lizdo.

REDUKTORIAUS TEPIMAS

Tam, kad prietaisas veiktų tinkamai ir būtų prailgintas jo eksploatacavimo laikas, kas 50 veikimo valandų tepkite reduktorių specialiu tepalu (kiekvienu kartą 4–5 g).

Specialus tepalas turi atitikti toliau pateikiamus reikalavimus.

1. Atitikti DIN51818: NLGI-1 kūginio prasiskverbimo laipsnis.
2. Esterio pagrindu pagamintas tepalas.
3. Puikios paleidimo esant žemai temperatūrai, EP, atsparumo mechaniniam kirpimui, atsparumo dilimui ir oksidacinio stabilumo savybės.
4. Darbinė temperatūra turi būti nuo -40 iki 180 °C. Išimkite akumulatoriaus kištuką ir sandarinimo Reduktoriaus tepimui naudokite tam skirtą angą.

⚠ ĮSPĖJIMAS: Netepkite, jeigu krūmapjovė vis dar prijungta prie akumulatoriaus arba veikia.

ĮRENGINIO VALYMAS

- Įrenginį valykite silpnu plovikliu suvilgyta šluoste.
- Nenaudokite jokių stiprių ploviklių plastikinių korpuso arba rankenos dalių valymui. Aromatinės alyvos (pušies arba citrinų kvapo) ir tirpikliai , pvz., žibalas, gali jas sugadinti. Drėgmė taip pat gali kelti elektros smūgio pavojų. Bet kokią drėgmę nuvalykite minkšta ir sausa šluoste.

ĮRENGINIO SANDĖLIAVIMAS

- Ištraukite akumulatoriaus kištuką iš žoliapjovės lizdo kai nenaudojate.
- Prieš sandėliavimą kruopščiai nuvalykite įrenginį.
- Įrenginį sandėliuokite sausoje, gerai vėdinamoje, rakinamoje patalpoje arba aukštai, vaikams nepasiekiamoje vietoje. Nelaikykite įrenginio ant arba šalia trašų, benzino arba kitų chemikalų.
- Gabenimui arba sandėliavimui naudokite pjovimo peilių apsauginį dėklą.

Aplinkos apsauga



Neišmeskite elektros įrangos, panaudotų baterijų ir įkroviklio kartu su buitinėmis atliekomis! Šias atliekas reikia pristatyti į jų surinkimo vietą ar įgaliotam perdirbėjui. Elektrinius įrankius reikia grąžinti į atitinkamą perdirbimo įmonę.

TRIKČIŲ ŠALINIMAS

PROBLEMA	PRIEŽASTIS	SPRENDIMAS
Nepavyksta paleisti	<ul style="list-style-type: none"> ■ Akumuliatorius neprijungtas prie žoliapjovės. ■ Nėra elektros kontakto tarp žoliapjovės ir akumulatoriaus. ■ Akumuliatorius visiškai išsikrovęs. 	<ul style="list-style-type: none"> ■ Prijunkite akumuliatorių prie žoliapjovės. ■ Akumuliatorių įstatykite į nurodytą įkroviklį. ■ Įkraukite akumuliatorių.
Dirbant išsijungia	<ul style="list-style-type: none"> ■ Nesumontuota žoliapjovės apsauga, todėl per ilgą pjovimo valas perkrauna variklį. ■ Naudojamas per tvirtas pjovimo valas. ■ Ant variklio veleno arba žoliapjovės galvutės apsvyniojusi žolė. ■ Perkrautas variklis. ■ Akumuliatorius arba žoliapjovė yra per daug įkaitusi. ■ Akumulatoriaus kištukas yra atjungtas nuo įrankio. ■ Akumuliatorius visiškai išsikrovęs. 	<ul style="list-style-type: none"> ■ Ištraukite akumulatoriaus kištuką iš lizdo ir sumontuokite žoliapjovės apsaugą. ■ Naudokite rekomenduojamą pjovimo valą, kurio skersmuo ne didesnis kaip 3,0 mm. ■ Sustabdykite žoliapjovę, išimkite akumuliatorių, tada pašalinkite žolę nuo veleno arba žoliapjovės galvutės. ■ Variklis vėl įsijungs pašalinus apkrovą. Kad darbas vyktų nenutrūkstamai, sumažinkite įrankiui tenkančią apkrovą. ■ Leiskite akumuliatoriui arba žoliapjovei atvėsti, iki temperatūra nukris žemiau 67 °C. ■ Vėl prijunkite kištuką. ■ Įkraukite akumuliatorių.

PROBLEMA	PRIEŽASTIS	SPRENDIMAS
Negalima ištraukti ilgesnio pjovimo valo.	<ul style="list-style-type: none"> ■ Ant variklio veleno arba žoliapjovės galvutės apsvyniojusi žolė. ■ Ritės laikiklyje nepakanka pjovimo valo. ■ Purvina žoliapjovės galvutė. ■ Pjovimo valas susinarpliojo žoliapjovės galvutėje ■ Pjovimo valas per trumpas. 	<ul style="list-style-type: none"> ■ Sustabdykite žoliapjovę, išimkite akumuliatorių, tada pašalinkite žolę nuo variklio veleno arba žoliapjovės galvutės. ■ Išimkite akumuliatorių ir pakeiskite pjovimo valą; vadovaukitės šio vadovo skyriumi „PJOVIMO VALO KEITIMAS“. ■ Išimkite akumuliatorių ir išvalykite apatinio gaubto konstrukciją, ritę ir viršutinį gaubtą. ■ Išimkite akumuliatorių, nuvyniokite pjovimo valą nuo ritės ir pakartotinai užvyniokite; vadovaukitės šio vadovo skyriumi „PJOVIMO VALO KEITIMAS“. ■ Išimkite akumuliatorių ir patraukite pjovimo valo galus į priešingas puses nuspausdami ir atleisdami žoliapjovės galvutę.
Žolė apsvynioja aplink žoliapjovės galvutę ir variklio korpusą	<ul style="list-style-type: none"> ■ Aukštą žolę pjaukite palei žemę. 	<ul style="list-style-type: none"> ■ Piktžolės pjaukite keliais etapais, pradėdami nuo viršaus ir užbaigdami pažeme.

GARANTIJA

EGO GARANTINIS POLISAS

Norėdami sužinoti visas „EGO“ garantinio poliso sąlygas, apsilankykite interneto svetainėje egopowerplus.com.

IZLASIET VISUS NORĀDĪJUMUS!



IZLASIET LIETOTĀJA ROKASGRĀMATU

⚠ BRĪDINĀJUMS! Citi riski! Personām, kuras lieto elektroniskas ierīces, piemēram, elektrokardiostimulatorus, pirms šīs ierīces lietošanas jākonsultējas ar savu ārstu. Elektriskā aprīkojuma darbība sirds elektrokardiostimulatora tuvumā var radīt stimulatora darbības traucējumus vai kļūmes.



Drošības brīdinājums



Lietojiet aizsargbrilles šī izstrādājuma darbināšanas laikā vienmēr valkājiet aizsargbrilles vai aizsargbrilles ar sānu aizsargiem un pilnu sejas aizsargmasku.



Lietojiet dzirdes aizsarglīdzekļus strādājot ar šo instrumentu, vienmēr izmantojiet dzirdes aizsarglīdzekļus.



Lietot galvas aizsarglīdzekļus valkājiet apstiprinātu cieto aizsargecipri, lai pasargātu savu galvu.



Neuzstādiēt apaļās formas griešanas asmeņus.



Maksimālais auklas trimera griešanas platums

LV



Lietojot auklas trimmeri, sekojiet, lai citi cilvēki un mājdzīvnieki atrastos vismaz 15 m attālumā no tā.



Garantētais skaņas intensitātes līmenis. Trokšņa emisija vidē atbilstoši Eiropas Kopienas direktīvai.



Elektrisko izstrādājumu atkritumus nedrīkst izmest kopā ar sadzīves atkritumiem. Nogādājiet uz pilnvarotu pārstrādes punktu.

n_0

Apgriezienu skaits bez slodzes-Rotācijas ātrums bez slodzes



Līdzstrāva

DROŠĪBAS SIMBOLI



⚠ BRĪDINĀJUMS! Jebkura elektroinstrumenta lietošanas laikā acīs var iekļūt svešķermeņi, kas var radīt smagu acu traumu. Pirms elektroinstrumenta ieslēgšanas vienmēr uzvelciet aizsargbrilles vai aizsargbrilles ar sānu aizsargiem un, ja nepieciešams, pilnu sejas aizsargmasku. Iesakām izmantot aizsargmasku ar plašu skata leņķi, ko uzvelk virs parastajām brillēm, vai arī standarta aizsargbrilles ar sānu aizsargiem.



Lai mazinātu traumu gūšanas bīstamību, lietotājam jāizlasa lietotāja rokasgrāmata.



Valkāt drošības apavus lietojot šo aprīkojumu, valkājiet drošības apavus ar neslidošu zoli.



Lietot aizsargcimdus darbojoties ar asmeni vai asmens aizsargu, sargājiet savas rokas, valkājot cimdus.



Uzmanību, asmens atsitiena risks! Brīdiniet operatoru par asmens atsitiena briesmām.



Diametrs: neilona griezējauklas diametrs



Lidojoši priekšmeti var atstāties un radīt miesas bojājumus vai kaitējumu īpašumam. Lietojot krūmgriezi, sekojiet, lai citi cilvēki un mājdzīvnieki neatrastos tā tuvumā.



Neizmantojiet lietū vai neatstājiet ārā, kamēr līst lietus.



Šis izstrādājums atbilst piemērojamām EK direktīvai.

V Spriegums

.../min Minūtē

kg kilograms

SPECIFIKĀCIJAS

Spriegums	56 V	
Apgriezienu skaits, strādājot bez slodzes	Līdz 5800/min.	
Griešanas mehānisms	Piespiežamā galva	
Griezējauklas veids	3,0 mm neilona griezējaukla	
Griešanas platums	38 cm	
Ieteicamā darba temperatūra	0°C–40°C	
Ieteicamā uzglabāšanas temperatūra	-20°C-70°C	
Optimālā uzlādes temperatūra	5°C-40°C	
Svars (bez akumulatoru bloka)	5,8 kg	
Izmērītāis skaņas intensitātes līmenis L_{WA}	94,2 dB(A) K=1,8 dB(A)	
Trokšņa spiediena līmenis pie lietotāja auss L_{PA}	74,15 dB(A) K=2,5 dB(A)	
Garantētais skaņas intensitātes līmenis L_{WA} (mērīts saskaņā ar 2000/14/EK)	96 dB(A)	
Vibrācijas ietekmes novērtējums a_{h1} :	Priekšējais paltgrotkuris.	3,2 m/s ² K=1,5 m/s ²
	Aizmugurējais rokturis	2,3 m/s ² K=1,5 m/s ²

- Norādītā vibrāciju kopējā vērtība ir izmērīta saskaņā ar standartā pārbaudes metodi un var tikt izmantota, lai salīdzinātu vairākus instrumentus.
- Norādītā vibrāciju kopējā vērtība var arī tikt izmantot ietekmes sākotnējai novērtēšanai.

PIEZĪME. Vibrāciju emisijas faktiskajā elektroinstrumenta darbināšanas laikā var atšķirties no norādītās vērtības. Lai pasargātu operatoru, lietotājam jāvalkā cimdi un dzirdes aizsarglīdzekļi atbilstoši patiesajiem darba apstākļiem.

KOMPLEKTĀCIJA (A1 Att.)

APRAKSTS

PĀRZINIET SAVU AUKLAS TRIMMERI (A1 att.)

1. Kontakligzda
2. Bloķēšanas svira

3. Slišķņvērtības gredzens
4. Cilpveida formas rokturis
5. Trimmera aukla
6. Samontēts aizsargs
7. Vārpsta
8. Sprūds
9. Aizmugurējais rokturis
10. Trimmera galva (piespiežamā galva)
11. Atlaišanas izcilnis
12. Auklas griezējasmens
13. Drošības barjeras stienis (tikai krūmgrieža galvai)
14. Drošības barjeras fiksācijas stienis (tikai krūmgrieža galvai)
15. Ārējais atloks (tikai krūmgrieža galvai)
16. Uzgrieznis (tikai krūmgrieža galvai)
17. Skrūve
18. Seškanšu atslēga

MONTĀŽA

⚠ BRĪDINĀJUMS. Ja kāda daļa ir bojāta vai trūkst, nedarbiniet šo instrumentu, kamēr nav nomainīta bojātā daļa. Darbinot šo instrumentu ar bojātām vai trūkstošām daļām, varat gūt smagus miesas bojājumus.

⚠ BRĪDINĀJUMS. Nemēģiniet pārveidot šo instrumentu vai pievienot piederumus, kuru izmantošana šajā auklas trimmerī nav ieteicama. Jebkādi šādi uzlabojumi vai pārveidojumi ir uzskatāmi par neatbilstoši lietošanai un var radīt bīstamus apstākļus, kas var izraisīt nopietnus ievainojumus.

⚠ BRĪDINĀJUMS. Lai nepieļautu nejašu instrumenta ieslēgšanos, kas var radīt smagas traumas, vienmēr izvelciet akumulatora spraudni no ligzdas, uzstādot daļas.

⚠ BRĪDINĀJUMS. Ja instrumentam tiek uzstādīta krūmgrieža galva, uzstādiat arī drošības barjeras stieni.

AIZSARGA MONTĀŽA

⚠ BRĪDINĀJUMS. Uzstādot vai nomainot aizsargu, vienmēr valkājiet cimdus. Sargieties no asmens, kas atrodas uz aizsarga, un aizsargājiet rokas pret sagriešanos.

⚠ BRĪDINĀJUMS. Nekādā gadījumā nelietojiet instrumentu, ja tam nav uzstādīts aizsargs. Aizsargam vienmēr jāatrodas uz instrumenta, lai aizsargātu lietotāju! Kad aizsargs ir piestiprināts, nekad nemēģiniet to noņemt vai regulēt; ja aizsargs ir jānomaina, nogādājiet to kvalificētam apkopes tehnikim!

Atskrūvējiet un izņemiet abas skrūves no vārpstas pamatnes aizsarga (B att.), salāgojiet aizsarga uzstādīšanas caurumiņus ar montāžas caurumiņiem un pēc tam piestipriniet aizsargu vārpstas pamatnei, pieskrūvējot abas skrūves un abas atspereplāksnes (C att.).

⚠ BRĪDINĀJUMS. Pārļiecinieties, vai aizsargs ir piestiprināts pareizi tā, kā norādīts B un C attēlos; nepareizi uzstādīts aizsargs ir ļoti bīstams!

CILPVEIDA FORMAS ROKTURA UZSTĀDĪŠANA UN REGULĒŠANA

1. Apturiet motoru un izvelciet akumulatora spraudni no kontaktlīgšanas, ja tas bija iesprausts.
2. Atskrūvējiet spārnuzgriezni, lai noņemtu regulējamu cilpveida formas rokturi (D att.).

⚠ PIEZĪME! Uzstādiet drošības barjeras stieni uz cilpveida roktura, pieskrūvējot ar divām skrūvēm, ja instrumentam tiek uzstādīta krūmgrieža galva.

Zemāk norādīts D attēla detaļu apraksts:

D-1	Cilpveida formas rokturis	D-4	Drošības barjeras stienis (tikai krūmgrieža galvai)
D-2	Stiprinājuma bloks	D-5	Fiksācijas stienis
D-3	Spārnuzgrieznis		

PIEZĪME! Ir divu veidu fiksācijas stieņi — tsākais ir paredzēts trimmera galvai. Garākais ir paredzēts krūmgrieža galvai. Rūpīgi izvēlieties pareizo fiksācijas stieni, lietojot instrumentu.

3. Uzspiediet cilpveida rokturi uz vārpstas sliekšņvērtības gredzena priekšpusē. Nekad nenovietojiet to starp sliekšņvērtības gredzenu un aizmugurējo rokturi (E att.).

PIEZĪME! Pielāgojiet cilpveida formas rokturi starp sliekšņvērtības gredzenu un brīdinājuma plāksnīti, ja instrumentam tiek uzstādīta krūmgrieža galva (F att.).

4. Ievietojiet stiprinājuma bloku roktura gropē (G att.)
5. Uzstādiet fiksācijas stieni un pievelciet ar spārnuzgriezni. Pārļiecinieties, vai priekšējais palīgrokturis ir vērsts uz augšu un virzienā uz aizmugurējā roktura augšējo daļu (H att.).
6. Pielāgojiet cilpveida formas rokturi starp sliekšņvērtības gredzenu un plāksnīti, lai atrastu tādu darba pozīciju, kas ļauj ērti lietot trimmeri. .
7. Bloķējiet fiksācijas stieņa sviru (I att.).

⚠ BRĪDINĀJUMS! Nekādā gadījumā nelietojiet instrumentu, ja tam nav uzstādīts cilpveida formas rokturis.

⚠ BRĪDINĀJUMS! Pielāgojiet cilpveida formas rokturi tikai starp sliekšņvērtības gredzenu un plāksnīti.

TRIMERA GALVAS NOMAINĪŠANA AR 3 ZOBU ASMENI

1. Izņemiet barošanas kontaktdakšu no auklas trimmera.
2. Lai salāgotu spraugu atlokā ar vārpstas bloķēšanas atveri pārnesumkārbā, pagrieziet trimmera galvu un ielieciet atverē stabilizatoru (J att.).
3. Lai izņemtu, pagrieziet trimmera galvu pulksteņrādītāja kustības virzienā (J att.).
4. Noņemiet aizsarga piederumu, atskrūvējot visas trīs skrūves un noņemot paplāksni (K3 att.).

PIEZĪME! Lai pasargātu sevi no traumām, valkājiet cimdus pirms sākat darboties ar 3 zobu asmeni.

5. Uzstādiet iekšējo atloku un atloka vāciņu (L1 att.).
6. Uzstādiet asmeni uz motora vārpstas tā, lai asmens virsma atrastos vienā līmenī ar iekšējā atloka virsmas izliekumu. Uzstādiet ārējo atloku un uzgriezni (L2 att.). Pievelciet uzgriezni ar roku PRETĒJI PULKSTENRĀDĪTĀJA KUSTĪBAS virzienam.
7. Atbalstiet pārnesumkārbu pret cietu virsmu. Ar vienu roku pieturiet krūmgrieža vārpstu un ar otru satveriet daudzfunkciju uzgriežņu atslēgu, lai pievilktu uzgriezni bultiņas atzīmes virzienā, kas norādīta uz ārējā atloka (L3 att.).

LIETOŠANA

⚠ BRĪDINĀJUMS! Saglabājiet modrību visu darbarīka lietošanas laiku. Neaizmirstiet, ka pat mirklis neuzmanības var izraisīt nopietnu traumu.

⚠ BRĪDINĀJUMS! Vienmēr valkājiet aizsargbrilles, kā arī dzirdes aizsarglīdzekļus. Šo noteikumu neievērošanas rezultātā acis var tikt iesviesti svešķermeņi vai jūs varat gūt cita veida smagas traumas.

⚠ BRĪDINĀJUMS! Nelietojiet pierīces vai piederumus, ko nav ieteicis šī izstrādājuma ražotājs. Šādu neapstiprinātu pierīču vai piederumu lietošana var radīt nopietnus ievainojumus.

⚠ BRĪDINĀJUMS! Lai izvairītos no smagām traumām, pirms trimmera apkopes, tīrīšanas, papildierīču nomaiņas vai nogrieztā materiāla izņemšanas izvelciet akumulatora spraudni no līgšanas.

Šo instrumentu var lietot tālāk norādītajiem mērķiem:

Ap griešana: izmantojiet zāles un nezāļu nogriešanai pie sienām, žogiem, kokiem un apmalēm.

Griešana: lietojiet zāles nogriešanai vietās, kur ir grūti piekļūt ar parastu zāles pļāvēju.

PIEZĪME! Instrumentu drīkst izmantot tikai aprakstītajam mērķim. Citu veidu lietošana, piemēram, dzīvžogu apgriešana, ir uzskatāma par nepareizu lietošanu.

AKUMULATORA KABEĻA SPRAUDŅA IESPRAUŠANA/IZVILKŠANA

Izmantojiet tikai **A2** attēlā uzskaitītos akumulatora blokus un lādētājus.

Pirms pirmās lietošanas reizes akumulators ir pilnībā jāuzlādē.

Akumulatora kabeļa spraudņa iespraušana (M att.)

Salāgojiet spraudņa ar auklas trimmera . Iespraidiet kontaktdakšu ▲ elektroinstrumenta ▲ kontaktligzdā tā, lai vairs nav redzama zaļā atzīme.

Noņemšana

Atbrīvojiet akumulatora strāvas vadu no montāžas gropes un izvelciet kontaktdakšu no auklas trimmera.

AUKLAS TRIMMERA IEDARBINĀŠANA/ APTURĒŠANA (N att.)

Ieslēgšana

Nospiediet bloķēšanas sviru „ON” pozīcijā, pēc tam pabīdīet fiksācijas mēlīti uz priekšu, un tad nospiediet ieslēgšanas slēdzi. Slēdzim ir bezpakāpju ātruma regulēšanas funkcija. Jo stingrāk piespiežat slēdzi, jo lielāks ātrums.

N-1	Bloķēšanas svira	N-3	Ieslēgšanas slēdzis
N-2	Fiksācijas mēlīte		

Apturēšana

Atļaidiet slēdža sprūdu un nospiediet bloķēšanas pogu pozīcijā „OFF” (izslēgts).

▲ BRĪDINĀJUMS! Darba pārtraukumos un pēc darba pabeigšanas vienmēr izvelciet akumulatora spraudni no ligzdas.

AUKLAS TRIMMERA LIETOŠANA

▲ BRĪDINĀJUMS! Lai nepieļautu smagas traumas rašanos lietojot šo instrumentu, vienmēr izmantojiet aizsargbrilles. Putekļainā vidē lietojiet sejas vai putekļu masku.

Pirms katras lietošanas reizes attīriet apstrādājamo vietu. Savāciet akmeņus, stikla lauskas, naglas, vadus vai auklas, kas var tikt izsviestas vai iekļūt griešanas piercē. Nepieļaujiet bērnu, citu personu un mājdzīvnieku atrašanos darba vietā. Sekojiet, lai bērni, citas personas un mājdzīvnieki atrastos vismaz 15 m attālumā; vēl arvien pastāv apdraudējums, ko rada izsviesti objekti. Sekojiet, lai apkārtējie izmantotu acu aizsarglīdzekļus. Ja strādājot kāds jums tuvojas, nekavējoties apturiet motoru un griešanas pierci.

Pirms katras lietošanas reizes pārbaudiet, vai nav bojātu/nodilušu daļu

Pārbaudiet instrumenta piespiežamo galvu, aizsargu un cilpveida formas rokturi, un nomainiet detaļas, ja tās ir saplaisājušas, savijušas, saliekušas vai bojātas.

Laika gaitā auklas griezējamsens uz aizsarga malas kļūst neass. Ieteicams periodiski asināt asmeni ar vīli vai nomainīt to.

Trimmeris ir jānotīra pēc katras lietošanas reizes.

▲ UZMANĪBU. Ja ventilācijas atveres būs aizsērējušas, gaiss nevarēs iekļūt motora korpusā un motors pārkaršis vai tiks sabojāts.

- Instrumenta tīrīšanai izmantojiet tikai vieglu ziepjūdeni un mitru lupatiņu. Nekādā gadījumā nepieļaujiet šķidruma iekļūšanu instrumentā; nekad neiegremdējiet šķidrumā nevienu no instrumenta daļām.
- Turiet motora korpusa atveres tīras no gružiem.

▲ BRĪDINĀJUMS! Nekad neizmantojiet ūdeni, lai notīrītu trimmeri. Tīrot plastikāta detaļas, neizmantojiet šķīdinātājus. Tirdzniecībā iegādājami šķīdinātāji bojā lielāko daļu plastmasas materiālu. Lai notīrītu netīrumus, putekļus, eļļu, smērvielas u.c., izmantojiet tīras lupatiņas.

TRIMMERA AUKLAS GARUMA REGULĒŠANA

Trimerā galva ļauj operatoram izbīdīt vairāk griešanas auklas, neapturot motoru. Ja aukla sadilst vai nolietojas, nedaudz piesiet izcilni pret zemi trimera lietošanas laikā, var izbīdīt jaunu auklas garumu (skatiet V att.).

PIEZĪME. Griezējauklai paliekot īsākai, auklas padeve kļūst apgrūtināta.

▲ BRĪDINĀJUMS! Nenopiemiet un nepārveidojiet auklas griešanas asmens mezglu. Pārmērīgi gara aukla izraisa motora pārkaršanu, un var rasties smagi miesas bojājumi.

Auklas nomaīņa

PIEZĪME! Vienmēr lietojiet ieteikto neilona griezējauklu, kuras diametrs nepārsniedz 3,0 mm. Cita veida auklas izmantošana var izraisīt auklas trimmera pārkaršanu vai var to sabojāt.

⚠ BRĪDINĀJUMS! Nekad neizmantojiet auklu ar metāla pastiprinājumiem, stiepli, virvi u.tml. Šāda veida auklas var salūst un kļūt par bīstamiem, lielā ātrumā izsviestiem objektiem.

1. Izņemiet barošanas kontaktdakšu no auklas trimmera.
2. Nepieciešamības gadījumā izņemiet atlikušo griezējauklu daļu.
3. Nogrieziet 8 m garu griezējauklu, izveriet caur uzstādīšanas atveri actiņā (O1 att.). Iespiediet un izvelciet auklu no otras puses, līdz spolei abās pusēs var redzēt vienāda garuma auklu.
4. Lai uzlītu auklu uz spoles, piespiediet, vienlaikus pagriežot spoles apakšējo daļu bultiņas virzienā, kamēr no katras puses iznāk uz āru aptuveni 14 cm auklas (O2 att.).
5. Vienlaikus velkot auklu, nospiediet spoles apakšējo daļu, lai ar rokām izvilktu auklu un, lai pārbaudītu, vai trimmera galva ir pareizi uzstādīta.

Ja griešanas aukla pārtrūkst pie auklas izejas vai griešanas aukla netiek padota, piesitot ar trimmera galvu, izpildiet tālāk norādītās darbības:

1. Nospiediet atbrīvošanas izciļņus uz spoles augšējās daļas un noņemiet spoles apakšējo daļu, izvelkot to uz āru (K1 un K2 att.).
2. Izņemiet griezējauklu no spoles.
3. Ar vienu roku pieturiet spoles apakšējo daļu un ar otru roku satveriet spoles apakšējo daļu un salāgojiet spoles augšējās daļas izciļņus ar spoles apakšējās daļas caurumiem (O3 att.); ar plaukstu piespiediet un pagrieziet spoles apakšējo daļu, līdz izciļņi nofiksējas spoles augšējā daļā.
4. Lai nomainītu griezējauklu, ievērojiet sadaļā „AUKLAS NOMAĪŅĀ” sniegtos norādījumus.

APKOPE

⚠ BRĪDINĀJUMS! Veicot instrumenta apkopi, izmantojiet tikai identiskas rezerves daļas. Regulāri pārbaudiet instrumentu un veiciet tam apkopi. Lai garantētu drošību un uzticamību, visi remontdarbi jāveic kvalificētam apkopes tehniķim.

⚠ BRĪDINĀJUMS! Ar akumulatoru darbināmiem instrumentiem nav jābūt pievienotiem strāvas avotam, tāpēc tie vienmēr ir gatavi darbam. Lai nepieļautu smagas traumas, apkopes un remontdarbu laikā, kā arī griezējierces vai citu piederumu maiņas laikā veiciet papildu piesardzības pasākumus un esiet uzmanīgs.

⚠ BRĪDINĀJUMS! Lai izvairītos no smagām traumām, pirms instrumenta apkopes, tīrīšanas, papildierīču nomaīņas vai nogrieztā materiāla izņemšanas izvelciet akumulatora spraudni no ligzdas.

PĀRNESUMKĀRBAS EĻĻOŠANA

Lai dzīvzogu šķēru pānesumkārbā kalpotu labāk un ilgāk, eļļojiet pānesumkārbu ik pēc 50 ekspluatācijas stundām, izmantojot speciālu smērvielu (katrā reizē 4–5 g).

Speciālaijam smērvielai ir jāatbilst turpmāk norādītajām prasībām.

1. Atbilstība DIN51818: konusa iespiešanās pakāpe NLGI-1.
2. Estera bāzes smērviela.
3. Teicama iedarbināšana arī zemā temperatūrā, EP, mehāniskā griešana, izturība pret nodilumu un oksidatīvās stabilitātes īpašības.
4. Darba temperatūrai jābūt robežās no -40~180 °C. Izņemiet akumulatora barošanas spraudni un blīvskrūvi. Pānesumkārbu eļļo caur eļļošanas caurumu

⚠ BRĪDINĀJUMS! Neēļļojiet krūmgriezi, kamēr tas ir savienots ar akumulatoru vai darbojas.

INSTRUMENTA TĪRĪŠANA

- Tīriet instrumentu ar mitru drānu un maigu mazgāšanas līdzekli.
- Netīriet plastmasas korpusu un rokturi ar kodīgiem tīrīšanas līdzekļiem. Plastmasas daļas var sabojāt ar zināmām aromatizētām eļļām, piemēram, priežu un citrona, un šķīdinātājiem, piemēram, petroleju. Elektrotraumu var radīt arī mitrums. Kārtīgi noslaukiet mitrumu ar mikstu, tīru drānu.

INSTRUMENTA UZGLABĀŠANA

- Ja auklas trimmeri neizmantojat, izvelciet no ligzdas akumulatora spraudni.
- Pirms uzglabāšanas instruments ir kārtīgi jānotīra.
- Uzglabājiet instrumentu sausā, labi vēdināmā, aizslēdzamā vai augstā — bērniem nepieejamā — vietā. Neuzglabājiet instrumentu blakus mēslojumam, degvielai vai citām ķīmikālijām.

- Metāla asmeņiem pārvadāšanas un uzglabāšanas laikā ir jāizmanto transportēšanas pārsegs.

Vides aizsardzība

Neutilizējiet elektrisko aprīkojumu, izlietoto akumulatoru un lādētāju sadzīves atkritumos! Nogādājiet šo produktu uz pilnvarotu pārstrādes punktu un sagatavojiet atkritumu šķirošanai. Elektriskos instrumentus jānogādā videi nekaitīgā pārstrādes rūpnīcā.

KĻŪMJU NOVĒRŠANA

PROBLĒMA	CĒĻONIS	RISINĀJUMS
Instrumentu nevar iedarbināt.	<ul style="list-style-type: none"> ■ Auklas trimmerī nav ievietots akumulatoru bloks. ■ Starp trimmeri un akumulatoru nav elektriskā savienojuma. ■ Akumulatoru bloks ir izlādējies. 	<ul style="list-style-type: none"> ■ Ievietojiet auklas trimmerī akumulatoru bloku. ■ Uzlādējiet akumulatoru bloku tikai ar tam paredzēto lādētāju. ■ Uzlādējiet akumulatoru bloku.
Instrumenti pārstāj darboties.	<ul style="list-style-type: none"> ■ Uz trimmera nav uzstādīts aizsargs, kā rezultātā griezējaukļa ir par garu un rodas motora pārslodze. ■ Izmantota smaga griezējaukļa. ■ Ap motora vārpstu vai trimmera galvu aptinisies zāle. ■ Motora pārslodze. ■ Akumulatoru bloks vai dzīvzogu trimmeris ir pārkarsis. ■ Akumulatora spraudnis ir atvienots no instrumenta. ■ Akumulatoru bloks ir izlādējies. 	<ul style="list-style-type: none"> ■ Izņemiet akumulatora spraudni no ligzdas un uzstādiet trimmerim aizsargu. ■ Izmantojiet ieteikto neilona griezējaukļu, kuras diametrs nepārsniedz 3,0 mm. ■ Apturiet trimmeri, izņemiet akumulatoru un izfīriet zāli no vārpstas un trimmera galvas. ■ Instruments pēc noslogojuma atbrīvošanas atsāks darboties. Lai instruments darbotos nepārtraukti, samaziniet slodzi. ■ Ļaujiet akumulatora blokam vai trimmerim atdzist, līdz temperatūra nokrītas zem 67 °C. ■ Vēlreiz iespraudiet spraudni. ■ Uzlādējiet akumulatoru bloku.
Nevar izvilkāt griezējaukļu.	<ul style="list-style-type: none"> ■ Ap motora vārpstu vai trimmera galvu aptinisies zāle. ■ Trimmera galvā nepietiek auklas. ■ Trimmera galva ir netīra. ■ Trimmera galvā savijusies aukla. ■ Aukla ir par īsu. 	<ul style="list-style-type: none"> ■ Apturiet trimmeri, izņemiet akumulatoru un izfīriet zāli no motora vārpstas un trimmera galvas. ■ Izņemiet akumulatoru un nomainiet griezējaukļu; skatiet šīs rokasgrāmatas nodaļu „AUKLAS MAIŅA”. ■ Izņemiet akumulatoru un izfīriet apakšējo daļu, spoli un augšējo daļu. ■ Izņemiet akumulatoru, izņemiet no spoles auklu un uzīniet no jauna; skatiet šīs rokasgrāmatas nodaļu „AUKLAS MAIŅA”. ■ Izņemiet akumulatoru un velciet auklas, vienlaikus nospiežot un atlaižot trimmera galvu.
Ap trimmera galvu un motora korpusu ir aptinisies zāle.	<ul style="list-style-type: none"> ■ Garas zāles griešana pie zemes. 	<ul style="list-style-type: none"> ■ Pļaujiet zāli ar vairākiem piegājieniem, sākot no augšas un pakāpeniski pārejot līdz apakšējai daļai.

GARANTIJA

EGO GARANTIJAS POLITIKA

Lūdzu, apmeklējiet tīmekļa vietni egopowerplus.com, kur pieejama pilna EGO Garantijas politikas noteikumu un nosacījumu versija.

ΔΙΑΒΑΣΤΕ ΟΛΕΣ ΤΙΣ ΟΔΗΓΙΕΣ!



ΔΙΑΒΑΣΤΕ ΤΟ ΕΓΧΕΙΡΙΔΙΟ ΧΡΗΣΗΣ

⚠ ΠΡΟΕΙΔΟΠΟΙΗΣΗ: Υπολειπόμενοι κίνδυνοι! Άνθρωποι που φέρουν ηλεκτρονικές συσκευές όπως βηματοδότες πρέπει να συμβουλευούνται τους γιατρούς τους, πριν τη χρήση αυτού του προϊόντος. Η λειτουργία ηλεκτρολογικού εξοπλισμού κοντά σε βηματοδότη μπορεί να προκαλέσει παρεμβολές ή βλάβη στο βηματοδότη.



Προειδοποίηση ασφαλείας



Φοράτε προστατευτικά γυαλιά - Φοράτε πάντοτε προστατευτικά γυαλιά ή γυαλιά ασφαλείας με πλευρική προστασία και πλήρη προστατευτική προσωπίδα κατά τη χρήση αυτού του προϊόντος.



Φοράτε προστατευτικά ακοής - Φοράτε πάντα προστατευτικά ακοής όταν χρησιμοποιείτε αυτό το προϊόν.



Φοράτε προστασία για το κεφάλι - Φοράτε ένα εγκεκριμένο για την ασφάλεια κράνος για την προστασία του κεφαλιού σας.



Μην εγκαθιστάτε στρογγυλές λεπίδες κοπής.



Πλάτος - Μέγιστο πλάτος κοπής χλοοκοπτικού με μεσινέζα

GR



Εξασφαλίστε ότι άλλα άτομα ή κατοικίδια παραμένουν σε απόσταση τουλάχιστον 15 m από το χλοοκοπτικό με μεσινέζα όταν αυτό χρησιμοποιείται.



Εγγυημένη στάθμη ηχητικής ισχύος. Εκπομπές θορύβου στο περιβάλλον σύμφωνα με την οδηγία της Ευρωπαϊκής Ένωσης.



Τα απόβλητα ηλεκτρικών προϊόντων δεν πρέπει να απορρίπτονται μαζί με τα οικιακά απορρίμματα. Παραδώστε τα σε εξουσιοδοτημένη μονάδα ανακύκλωσης.

n_0

Ταχύτητα χωρίς φορτίο-Ταχύτητα περιστροφής, χωρίς φορτίο



Συνεχές ρεύμα

ΣΥΜΒΟΛΑ ΑΣΦΑΛΕΙΑΣ

⚠ ΠΡΟΕΙΔΟΠΟΙΗΣΗ: Η λειτουργία ηλεκτρικών εργαλείων μπορεί να προκαλέσει την εκτόξευση ξένων αντικειμένων στα μάτια σας, με αποτέλεσμα σοβαρό τραυματισμό. Πρωτού ξεκινήσετε τη χρήση του ηλεκτρικού εργαλείου, φοράτε πάντα προστατευτικά γυαλιά ή γυαλιά με πλευρική προστασία και, εφόσον απαιτείται, πλήρη προστατευτική προσωπίδα. Συνιστούμε μια προσωπίδα ασφαλείας ευρείας όρασης, για χρήση πάνω από γυαλιά ή τα συνήθη προστατευτικά γυαλιά με πλευρική προστασία.



Προκειμένου να μειωθεί ο κίνδυνος τραυματισμού, ο χρήστης πρέπει να διαβάσει το εγχειρίδιο χρήσης.



Φοράτε υποδήματα ασφαλείας - Φοράτε αντιολισθητικά υποδήματα ασφαλείας όταν χρησιμοποιείτε αυτό τον εξοπλισμό.



Φοράτε προστατευτικά γάντια - Προστατεύετε τα χέρια σας με γάντια κατά το χειρισμό της λεπίδας ή της καλύπτρας της λεπίδας.



Προσέχετε την αναπήδηση της λεπίδας - Ο χειριστής πρέπει να έχει πάντα το νου του στον κίνδυνο ανάκρουσης της λεπίδας.



Διάμετρος - Διάμετρος της νάιλον μεσινέζας



Αντικείμενα που πετιούνται μπορεί να εξοστρακιστούν και να προκύψει ατομικός τραυματισμός ή ζημιά στην ιδιοκτησία. Εξασφαλίστε ότι άλλα άτομα ή κατοικίδια παραμένουν τουλάχιστον μακριά από το θαμνοκοπτικό όταν αυτό χρησιμοποιείται.



Να μην χρησιμοποιείται στη βροχή και να μη μένει σε εξωτερικό χώρο όταν βρέχει.



Αυτό το προϊόν συμμορφώνεται με τις εφαρμοστές οδηγίες της ΕΚ.

V Τάση

.../min Ανά λεπτό

kg Κιλό

ΠΡΟΔΙΑΓΡΑΦΕΣ

Τάση	56 V ---	
Ταχύτητα χωρίς φορτίο	Έως και 5800/λεπτό	
Μηχανισμός κοπής	Κεφαλή πρόσκρουσης	
Τύπος νήματος κοπής	Συστραμμένο νάιλον νήμα 3,0 mm	
Πλάτος κοπής	38 cm	
Προτεινόμενη θερμοκρασία λειτουργίας	0°C-40°C	
Προτεινόμενη θερμοκρασία αποθήκευσης	-20°C-70°C	
Βέλτιστη θερμοκρασία φόρτισης	5°C-40°C	
Βάρος (χωρίς τη συστοιχία μπαταριών)	5,8 kg	
Μετρημένη στάθμη ηχητικής ισχύος L_{WA}	94,2 dB(A) K=1,8 dB(A)	
Στάθμη ηχητικής πίεσης στη θέση χειριστή L_{pA}	74,15 dB(A) K=2,5 dB(A)	
Εγγυημένο επίπεδο ισχύος ήχου L_{WA} (μέτρηση κατά 2000/14/EE)	96 dB(A)	
Αξιολόγηση δονήσεων a_{h1} :	Λαβή μπροστινής υποβοήθησης	3,2 m/s ² K=1,5 m/s ²
	Οπίσθια λαβή	2,3 m/s ² K=1,5 m/s ²

- Η αναφερόμενη συνολική τιμή κραδασμών έχει μετρηθεί σύμφωνα με την πρότυπη μέθοδο ελέγχου και μπορεί να χρησιμοποιηθεί για τη σύγκριση ενός εργαλείου με κάποιο άλλο.
- Η αναφερόμενη συνολική τιμή κραδασμών μπορεί να χρησιμοποιηθεί επίσης για την προκαταρκτική αξιολόγηση της έκθεσης.

ΣΗΜΕΙΩΣΗ: Οι εκπομπές κραδασμών κατά τη διάρκεια της πραγματικής χρήσης του ηλεκτρικού εργαλείου μπορεί να διαφέρουν από τη δηλωμένη τιμή στην οποία χρησιμοποιείται το εργαλείο. Για την προστασία του χειριστή, πρέπει να χρησιμοποιούνται γάντια και προστασία της ακοής στις πραγματικές συνθήκες χρήσης.

ΚΑΤΑΛΟΓΟΣ ΕΞΑΡΤΗΜΑΤΩΝ ΣΥΣΚΕΥΑΣΙΑΣ (ΣΧ. Α1)

ΠΕΡΙΓΡΑΦΗ

ΓΝΩΡΙΣΤΕ ΤΟ ΧΛΟΟΚΟΠΤΙΚΟ ΜΕ ΝΗΜΑ (ΣΧ. Α1)

1. Υποδοχή
2. Μοχλός ασφάλισης
3. Δακτύλιος κατωφλίου
4. Στρόγγυλη χειρολαβή
5. Νήμα χλοοκοπτικού
6. Καλύπτρα
7. Άξονας
8. Σκανδάλη
9. Οπίσθια λαβή
10. Κεφαλή χλοοκοπτικού (κεφαλή πρόσκρουσης)
11. Γλωπίδα αποδέσμευσης
12. Λεπίδα κοπής νήματος
13. Μπάρα ασφάλειας (μόνο για κεφαλή θαμνοκοπτικού)
14. Ράβδος ασφάλισης για μπάρα ασφάλειας (μόνο για κεφαλή θαμνοκοπτικού)
15. Εξωτερική φλάντζα (μόνο για κεφαλή θαμνοκοπτικού)
16. Παξιμάδι (μόνο για κεφαλή θαμνοκοπτικού)
17. Βίδα
18. Κλειδί άλλειν

ΣΥΝΑΡΜΟΛΟΓΗΣΗ

⚠ ΠΡΟΕΙΔΟΠΟΙΗΣΗ: Σε περίπτωση που κάποια από τα εξαρτήματα έχουν υποστεί ζημιά ή λείπουν, μη χρησιμοποιήσετε το μηχάνημα, μέχρι να αντικατασταθούν. Η χρήση αυτού του προϊόντος με φθαρμένα ή ελλιπή εξαρτήματα μπορεί να έχει σαν αποτέλεσμα σοβαρό τραυματισμό.

⚠ ΠΡΟΕΙΔΟΠΟΙΗΣΗ: Μην επιχειρήσετε να τροποποιήσετε αυτό το προϊόν ή να χρησιμοποιήσετε εξαρτήματα που δε συνιστώνται για χρήση με αυτό το χλοοκοπτικό με νήμα. Κάθε παρόμοια μετατροπή ή τροποποίηση συνιστά κακή χρήση και μπορεί να δημιουργήσει επικίνδυνες καταστάσεις με επακόλουθο σοβαρό τραυματισμό.

⚠ ΠΡΟΕΙΔΟΠΟΙΗΣΗ: Για να εμποδίσετε την τυχαία εκκίνηση που θα μπορούσε να προκαλέσει σοβαρό τραυματισμό, απομακρύνετε πάντα τη συστοιχία συσσωρευτών από το εργαλείο όταν συναρμολογείτε εξαρτήματα.

⚠ ΠΡΟΕΙΔΟΠΟΙΗΣΗ: Όταν το εργαλείο είναι εξοπλισμένο με κεφαλή θαμνοκοπτικού πρέπει να προσαρτηθεί η μπάρα ασφάλειας.

ΠΡΟΣΑΡΤΗΣΗ ΚΑΛΥΠΤΡΑΣ

⚠ ΠΡΟΕΙΔΟΠΟΙΗΣΗ: Φοράτε πάντα γάντια κατά την τοποθέτηση ή αντικατάσταση της καλύπτρας. Προσέχετε τη λεπίδα της καλύπτρας και προστατεύετε το χέρι σας από κοπή.

⚠ ΠΡΟΕΙΔΟΠΟΙΗΣΗ: Μη χρησιμοποιήσετε ποτέ το εργαλείο χωρίς να είναι καλά τοποθετημένη η καλύπτρα. Η καλύπτρα πρέπει να βρίσκεται πάντα στο εργαλείο για την προστασία του χρήστη! Εφόσον έχει προσαρτηθεί η καλύπτρα, μην επιχειρήσετε ποτέ να την αφαιρέσετε ή να τη ρυθμίσετε. Εφόσον απαιτηθεί αντικατάσταση, αυτή θα πρέπει να διεξαχθεί από εξειδικευμένο τεχνικό σέρβις!

Χαλαρώστε και αφαιρέστε τις δύο βίδες από την καλύπτρα (Εικ. Β), ευθυγραμμίστε τις οπές στην καλύπτρα με τις οπές συναρμολόγησης και ασφαλίστε την στη βάση του άξονα με τις δύο βίδες και τις δύο ελατηριωτές ροδέλες (Εικ. C).

⚠ ΠΡΟΕΙΔΟΠΟΙΗΣΗ: Εξασφαλίστε ότι η καλύπτρα έχει προσαρτηθεί σύμφωνα με τις Εικ. Β και C, ενώ οποιαδήποτε αντίστροφη προσαρτήση ενέχει εξαιρετικά μεγάλο κίνδυνο!

ΤΟΠΟΘΕΤΗΣΗ ΚΑΙ ΡΥΘΜΙΣΗ ΤΗΣ ΣΤΡΟΓΓΥΛΗΣ ΛΑΒΗΣ

1. Σβήστε τον κινητήρα και αφαιρέστε τη συστοιχία μπαταριών, εφόσον έχει εγκατασταθεί.
2. Λασκάρτε την πεταλούδα για να διαχωρίσετε την ρυθμιζόμενη στρόγγυλη λαβή (Εικ. D).

ΣΗΜΕΙΩΣΗ: Εγκαταστήστε τη διάταξη της μπάρας ασφάλειας πάνω στη στρόγγυλη χειρολαβή με τις δυο βίδες, εφόσον το εργαλείο είναι εξοπλισμένο με κεφαλή θαμνοκοπτικού.

Η περιγραφή των εξαρτημάτων της Εικ. D ακολουθεί τη συνέχεια:

D-1	Στρόγγυλη χειρολαβή	D-4	Μπάρα ασφάλειας (μόνο για κεφαλή θαμνοκοπτικού)
D-2	Μπλοκ σύσφιξης	D-5	Ράβδος ασφάλισης
D-3	Πεταλούδα		

ΣΗΜΕΙΩΣΗ: Υπάρχουν δύο είδη ράβδων ασφάλισης. Η κοντύτερη είναι για την κεφαλή χλοοκοπτικού. Η μακρύτερη είναι για την κεφαλή θαμνοκοπτικού. Φροντίστε να επιλέξετε τη σωστή ράβδο ασφάλισης για την εκάστοτε χρήση.

3. Πιέστε τη στρόγγυλη χειρολαβή πάνω στον άξονα στον μπροστινό δακτύλιο καταφλίου. Μην την τοποθετήσετε ποτέ μεταξύ του δακτυλίου καταφλίου και την περιοχής της πίσω χειρολαβής. (Εικ. E).

ΣΗΜΕΙΩΣΗ: Προσαρμόστε τη στρόγγυλη χειρολαβή μεταξύ του δακτυλίου καταφλίου και της προειδοποιητικής πινακίδας, εφόσον το εργαλείο είναι εξοπλισμένο με κεφαλή θαμνοκοπτικού (Εικ. F).

4. Εισαγάγετε το μπλοκ σύσφιξης μέσα στην εσοχή λαβής(Εικ. G).
5. Προσαρτήστε τη ράβδο ασφάλισης και συσφίξτε την αρχικά με την πεταλούδα. Εξασφαλίστε ότι η στρόγγυλη χειρολαβή είναι προς τα επάνω, με κατεύθυνση προς το πάνω μέρος της πίσω χειρολαβής (Εικ. Η).
6. Προσαρμόστε τη στρόγγυλη χειρολαβή μεταξύ του δακτυλίου καταφλίου και της προειδοποιητικής πινακίδας, μέχρι να βρείτε μια άνετη θέση χρήσης του χλοοκοπτικού. .
7. Ασφαλίστε το μοχλό της ράβδου ασφάλισης (Εικ. I).

⚠ ΠΡΟΕΙΔΟΠΟΙΗΣΗ: Μη χρησιμοποιείτε ποτέ το εργαλείο χωρίς να είναι καλά προσαρτημένη η στρόγγυλη χειρολαβή.

⚠ ΠΡΟΕΙΔΟΠΟΙΗΣΗ: Προσαρτάτε τη στρόγγυλη χειρολαβή μόνο μεταξύ του δακτυλίου καταφλίου και της πινακίδας.

ΑΝΤΙΚΑΤΑΣΤΑΣΗ ΤΗΣ ΚΕΦΑΛΗΣ ΤΟΥ ΧΛΟΟΚΟΠΤΙΚΟΥ ΜΕ ΛΕΠΙΔΑ 3 ΟΔΟΝΤΩΣΕΩΝ

Η κεφαλή του χλοοκοπτικού εικονίζεται στην Εικ. J.

1. Αποσυνδέστε το καλώδιο ρεύματος από το χλοοκοπτικό με νήμα.
 2. Περιστρέψτε την κεφαλή χλοοκοπτικού, ώστε να ευθυγραμμιστεί η εγκοπή στη φλάντζα με την οπή ασφάλισης του άξονα στο μειωτήρα και τοποθετήστε ένα εργαλείο σταθεροποίησης στην οπή (Εικ. J).
 3. Περιστρέψτε την κεφαλή χλοοκοπτικού δεξιόστροφα για να την αφαιρέσετε (Εικ. J).
 4. Αφαιρέστε το εξάρτημα της καλύπτρας, ξεβιδώνοντας τις τρεις βίδες με ροδέλα (Εικ. K3).
- ΣΗΜΕΙΩΣΗ:** Φοράτε γάντια πριν από κάθε εργασία στη λεπίδα 3 οδοντώσεων, ώστε να αποφευχθεί οποιοδήποτε τραυματισμός.
5. Τοποθετήστε την εσωτερική φλάντζα και το κατάκι φλάντζας στις θέσεις τους (Εικ. L1).

6. Τοποθετήστε τη λεπίδα στον άξονα του κινητήρα, έτσι ώστε η επιφάνεια της λεπίδας να είναι ευθυγραμμισμένη με την επιφάνεια της προεξοχής στην εσωτερική φλάντζα. Τοποθετήστε την εξωτερική φλάντζα και το παξιμάδι (Εικ. L2). Συσφίξτε το παξιμάδι με το χέρι ΑΡΙΣΤΕΡΟΣΤΡΟΦΑ.
7. Τοποθετήστε το μειωτήρα πάνω σε μια σταθερή επιφάνεια για υποστήριξη. Με το ένα χέρι πιέστε τον άξονα του θαμνοκοπτικού και με το άλλο το κλειδί πολλαπλών λειτουργιών για να συσφίξετε το παξιμάδι, ακολουθώντας την κατεύθυνση του βέλους που εικονίζεται στην εξωτερική φλάντζα (Εικ. L3).

ΛΕΙΤΟΥΡΓΙΑ

⚠ ΠΡΟΕΙΔΟΠΟΙΗΣΗ: Η εξοικειωσή σας με αυτό το προϊόν δε θα πρέπει να σας κάνει λιγότερο προσεκτικούς. Θυμηθείτε πως ένα κλάσμα δευτερολέπτου απροσεξίας μπορεί να προκαλέσει σοβαρό τραυματισμό.

⚠ ΠΡΟΕΙΔΟΠΟΙΗΣΗ: Φοράτε πάντα προστασία για τα μάτια μαζί με προστασία ακοής. Σε αντίθετη περίπτωση, είναι πιθανό να υπάρξει εκτόξευση αντικειμένων στα μάτια σας και άλλοι πιθανοί σοβαροί τραυματισμοί.

⚠ ΠΡΟΕΙΔΟΠΟΙΗΣΗ: Μη χρησιμοποιείτε εξαρτήματα που δε συνιστώνται από τον κατασκευαστή αυτού του προϊόντος. Η χρήση παρελκόμενων ή εξαρτημάτων που δε συνιστώνται από τον κατασκευαστή, ενέχει τον κίνδυνο σοβαρού τραυματισμού.

⚠ ΠΡΟΕΙΔΟΠΟΙΗΣΗ: Προκειμένου να αποφευχθεί σοβαρός τραυματισμός, απσυνδέστε τη συστοιχία συσσωρευτών από το εργαλείο πριν από τη συντήρηση, τον καθαρισμό, την αλλαγή προσαρτημάτων ή την αφαίρεση υλικού από τη μονάδα.

Μπορείτε να χρησιμοποιήσετε αυτό το προϊόν για τους ακόλουθους σκοπούς:

Ξάκρυσμα: χρησιμοποιείται για την απομάκρυνση γρασιδιού και αγριόχορτων σε τοίχους, φράχτες, δέντρα και όρια.

Κοπή: χρησιμοποιείται για την κοπή γρασιδιού, στο οποίο η πρόσβαση είναι δύσκολη με κανονικό χορτοκοπτικό μηχανήμα.

ΣΗΜΕΙΩΣΗ: Το εργαλείο πρέπει να χρησιμοποιείται αποκλειστικά για τη σκοπούμενη χρήση. Οποιαδήποτε άλλη χρήση, για παράδειγμα, το ξάκρυσμα θάμνων, θα εκληφθεί ως μη ορθή χρήση.

ΠΡΟΣΑΡΤΗΣΗ/ΑΦΑΙΡΕΣΗ ΣΥΣΤΟΙΧΙΑΣ ΣΥΣΣΩΡΕΥΤΩΝ

Να χρησιμοποιείται μόνο με τις συστοιχίες μπαταριών και τους φορτιστές που αναφέρονται στην εικ. Α2.

Φορτίστε πλήρως πριν από την πρώτη χρήση.

Τοποθέτηση του καλωδίου μπαταρίας (Εικ. Μ)

Ευθυγραμμίστε ▲ το καλώδιο ▲ του χλοοκοπτικού με νήμα. Τοποθετήστε το βύσμα στο μηχανήμα μέχρι να χαθεί πλήρως η πράσινη τσιμούχα μέσα στην υποδοχή.

Αφαίρεση

Αποσυνδέστε το καλώδιο μπαταρίας από την εγκοπή στερέωσης και αφαιρέστε το βύσμα από το χλοοκοπτικό με νήμα.

ΕΝΕΡΓΟΠΟΙΗΣΗ/ΑΠΕΝΕΡΓΟΠΟΙΗΣΗ ΤΟΥ ΧΛΟΟΚΟΠΤΙΚΟΥ ΜΕ ΝΗΜΑ (Εικ. Ν)

Ενεργοποίηση

Πιέστε το μοχλό ασφάλισης στη θέση «ON», τη γλωπίδα ασφάλισης προς τα εμπρός και, στη συνέχεια, πιέστε το διακόπτη-σκανδάλη προς τα κάτω. Ο διακόπτης-σκανδάλη διαθέτει αβαθμιώτη ρύθμιση ταχύτητας. Όσο πιο πολύ πιέζετε τη σκανδάλη, τόσο αυξάνεται η ταχύτητα.

N-1	Μοχλός ασφάλισης	N-3	Διακόπτης-σκανδάλη
N-2	Γλωπίδα ασφάλισης		

Απενεργοποίηση

Αποδεσμεύστε το διακόπτη-σκανδάλη και περιστρέψτε το κουμπί ασφάλισης στη θέση «OFF».

⚠ ΠΡΟΕΙΔΟΠΟΙΗΣΗ: Αφαιρείτε πάντοτε τη συστοιχία συσσωρευτών από την υποδοχή, κατά τη διάρκεια διαλειμμάτων και μετά την ολοκλήρωση της εργασίας.

ΧΡΗΣΗ ΤΟΥ ΧΛΟΟΚΟΠΤΙΚΟΥ ΜΕ ΝΗΜΑ

⚠ ΠΡΟΕΙΔΟΠΟΙΗΣΗ: Για την αποφυγή σοβαρού τραυματισμού, φοράτε πάντοτε προστατευτικά γυαλιά ή γυαλιά προστασίας κατά τη χρήση της μονάδας. Φοράτε μάσκα προσώπου ή προστασίας από σκόνη σε τοποθεσίες με σκόνη.

Καθαρίζετε την περιοχή κοπής πριν από κάθε χρήση. Απομακρύνετε όλα τα αντικείμενα όπως πέτρες, στασιμμένα γυαλιά, καρφιά, σύρματα ή νήματα, τα οποία μπορεί να πεταχτούν ή να μπερδευτούν στο προσάρτημα κοπής. Απομακρύνετε παιδιά, παρευρισκόμενους και κατοικίδια από το χώρο. Τα παιδιά, οι παρευρισκόμενοι και τα κατοικίδια πρέπει να βρίσκονται σε απόσταση τουλάχιστον 15 m. Ενδεχομένως να εξακολουθήσει να υπάρχει κίνδυνος για τους παρευρισκόμενους λόγω εκτόξευσης αντικειμένων. Οι παρευρισκόμενοι πρέπει να ενθαρρύνονται να φορούν προστασία για τα μάτια.

Εάν σας προσεγγίσουν, απενεργοποιήστε αμέσως τον κινητήρα και το προσάρτημα κοπής.

Πριν από κάθε χρήση ελέγχετε για τυχόν εξαρτήματα με ζημιές/φθορές

Ελέγχετε την κεφαλή πρόσκρουσης, την καλύπτρα και τη στρόγγυλη λαβή και αντικαθιστάτε τα εξαρτήματα που έχουν ρωγμές, παραμόρφωση, λυγίσματα ή οποιοσδήποτε ζημιάς.

Η λεπίδα κοπής νήματος στην άκρη της καλύπτρας μπορεί να σπαστεί με την πάροδο του χρόνου. Συνιστάται να την τροχίζετε ανά τακτά χρονικά διαστήματα με μια λίμα ή να την αντικαθιστάτε με νέα.

Καθαρίζετε το χλοοκοπτικό μετά από κάθε χρήση.

▲ ΠΡΟΦΥΛΑΞΗ: Τα εμπόδια στις σπές εμποδίζουν ροή του αέρα στο περιβλήμα κινητήρα και έχουν σαν αποτέλεσμα την υπερθέρμανση ή τη ζημιά στον κινητήρα.

- Χρησιμοποιείτε μόνο ήπιο σαπούνι και ένα υψώτο πανί για τον καθαρισμό του εργαλείου. Δεν πρέπει να εισχωρήσουν υγρά στο εσωτερικό του εργαλείου. Μη βυθίζετε ποτέ οποιοδήποτε τμήμα του εργαλείου σε υγρά.
- Διατηρείτε πάντοτε τις σπές αερισμού στο περιβλήμα κινητήρα και τον άξονα ελεύθερα από υπολείμματα.

▲ ΠΡΟΕΙΔΟΠΟΙΗΣΗ: Ποτέ μη χρησιμοποιείτε νερό για τον καθαρισμό του θαμνοκοπτικού σας. Αποφύγετε τη χρήση διαλυτών κατά τον καθαρισμό των πλαστικών εξαρτημάτων. Τα περισσότερα πλαστικά είναι ευπαθή στη χρήση διαφόρων τύπων διαλυτών του εμπορίου. Χρησιμοποιείτε καθαρό πανί για την απομάκρυνση βρωμιάς, σκόνης, λαδιού, γράσου, κτλ.

ΡΥΘΜΙΣΗ ΜΗΚΟΥΣ ΤΟΥ ΝΗΜΑΤΟΣ ΚΟΠΗΣ

Η κεφαλή χλοοκοπτικού επιτρέπει στον χειριστή να αποδεσμεύσει περισσότερο νήμα κοπής χωρίς να σταματήσει το μοτέρ. Καθώς το νήμα ξεφτίζει ή φθίρειται, μπορεί να αποδεσμευτεί περισσότερο νήμα πατώντας ελαφρά το κουμπί πρόσκρουσης στο έδαφος ενώ λειτουργεί το χορτοκοπτικό.

ΣΗΜΕΙΩΣΗ: Η αποδέσμευση νήματος θα είναι πιο δύσκολη εάν το νήμα κοπής γίνει πολύ κοντό.

▲ ΠΡΟΕΙΔΟΠΟΙΗΣΗ: Μην απομακρύνετε ή τροποποιείτε τη μονάδα λεπίδας κοπής νήματος. Υπερβάλλον μήκος νήματος θα προκαλέσει υπερθέρμανση στο μοτέρ και μπορεί να προκύψει σοβαρός ατομικός τραυματισμός.

Αντικατάσταση νήματος

ΣΗΜΕΙΩΣΗ: Χρησιμοποιείτε πάντα το συνιστώμενο νάιλον νήμα κοπής με μια διάμετρο που δεν υπερβαίνει τα 3,0 mm. Η χρήση διαφορετικού νήματος μπορεί να προκαλέσει υπερθέρμανση ή ζημιά στο χλοοκοπτικό με νήμα.

▲ ΠΡΟΕΙΔΟΠΟΙΗΣΗ: Ποτέ μη χρησιμοποιείτε νήμα με μεταλλική ενίσχυση, σύρμα ή σχοινί, κτλ. Αυτά ενδέχεται να σπάσουν και να αποτελέσουν πηγή κινδύνου.

1. Αποσυνδέστε το καλώδιο ρεύματος από το χλοοκοπτικό με νήμα.
2. Απομακρύνετε την υπόλοιπη μεσινέζα, εφόσον απαιτηθεί.
3. Κόψτε 8 m μεσινέζας και εισαγάγετε την στην οπή τοποθέτησης μέσα στο σφραγισμένο (Εικ.Ο1) Ωθήστε και τραβήξτε τη μεσινέζα από την άλλη πλευρά, μέχρι να προκύψει το ίδιο μήκος μεσινέζας και στις δύο πλευρές του καρούλιού.
4. Πιέστε, ενώ περιστρέφετε το κάτω συγκρότημα καλύμματος στην κατεύθυνση βέλους, για να τυλίξετε τη μεσινέζα στο καρούλι, μέχρι να προεξέχουν περίπου 14 cm μεσινέζας σε κάθε πλευρά (Εικ.Ο2)
5. Πιέστε το κάτω συγκρότημα καλύμματος προς κάτω, ενώ τραβήξτε τις μεσινέζες για να προωθηθεί χειροκίνητα τη μεσινέζα και να ελεγχτεί τη σωστή συναρμολόγηση της κεφαλής χλοοκοπτικού.

Εάν σπάσει η μεσινέζα στην έξοδο μεσινέζας ή η μεσινέζα δεν αποδεσμευτεί όταν χτυπηθεί η κεφαλή χλοοκοπτικού, ακολουθήστε τα κατωτέρω βήματα:

1. Πιέστε τις γλωττίδες αποδέσμευσης στο άνω κάλυμμα και απομακρύνετε το κάτω συγκρότημα καλύμματος τραβώντας το ίσια προς τα έξω (Εικ. Κ1 και Κ2).
2. Αφαιρέστε τη μεσινέζα από το καρούλι.
3. Κρατώντας με το ένα χέρι το συγκρότημα κάτω καλύμματος, χρησιμοποιήστε το άλλο χέρι για να πιέσετε το κάτω συγκρότημα καλύμματος και ευθυγραμμίστε τις γλωττίδες στο κάτω κάλυμμα με τις σπές στο κάτω συγκρότημα καλύμματος (Εικ. Ο3). Χρησιμοποιήστε την παλάμη σας για να πιέσετε το κάτω συγκρότημα κάτω καλύμματος, μέχρι οι γλωττίδες να ασφαλιστούν με το άνω κάλυμμα.
4. Ακολουθήστε τις οδηγίες της ενότητας «ΑΝΤΙΚΑΤΑΣΤΑΣΗ ΜΕΣΙΝΕΖΑΣ» για να τοποθετήσετε νέα μεσινέζα.

ΣΥΝΤΗΡΗΣΗ

▲ ΠΡΟΕΙΔΟΠΟΙΗΣΗ: Κατά τη συντήρηση του εργαλείου, χρησιμοποιείτε μόνο όμοια ανταλλακτικά. Ελέγχετε και συντηρείτε τακτικά το μηχανήμα. Για να διασφαλιστεί η ασφάλεια και η αξιοπιστία, όλες οι επισκευές πρέπει να διεξάγονται από εξειδικευμένο τεχνικό σέρβις.

⚠️ ΠΡΟΕΙΔΟΠΟΙΗΣΗ: Τα εργαλεία μπαταρίας δεν πρέπει να συνδέονται σε ηλεκτρική πρίζα. Γι' αυτό και βρίσκονται πάντοτε σε κατάσταση λειτουργίας. Προκειμένου να αποφευχθεί σοβαρός τραυματισμός, λαμβάνετε επιπρόσθετα προληπτικά μέτρα και προσέχετε όταν διεξάγετε συντήρηση, επισκευή ή όταν αλλάζετε προσάρτημα κοπής ή άλλα προσάρτηματα.

⚠️ ΠΡΟΕΙΔΟΠΟΙΗΣΗ: Προκειμένου να αποφευχθεί σοβαρός τραυματισμός, απουσιάζετε τη συστοιχία συσσωρευτών από το εργαλείο πριν από τη συντήρηση, τον καθαρισμό, την αλλαγή επιπρόσθετων προσαρμογμάτων ή την αφαίρεση υλικού από τη μονάδα.

ΛΙΠΑΝΣΗ ΤΟΥ ΚΙΒΩΤΙΟΥ ΓΡΑΝΑΖΙΟΥ

Για βέλτιστη λειτουργία και μεγαλύτερη διάρκεια ζωής, λιπαίνετε το κιβώτιο γραναζιού με ειδικό λιπαντικό (4-5 g τη φορά) μετά από κάθε 50 ώρες λειτουργίας.

Το ειδικό λιπαντικό πρέπει να πληροί τις παρακάτω προδιαγραφές.

1. Βαθμός διεύθυνσης κώνου DIN51818: NLGI-1
2. Λιπαντικό με βάση εστέρα.
3. Εξαιρετικές ιδιότητες εκκίνησης σε χαμηλή θερμοκρασία, EP, μηχανικής απότμησης, αντοχής στην τριβή και οξειδωτικής σταθερότητας.
4. Αντοχή σε θερμοκρασίες λειτουργίας -40~180°C. Αφαιρέστε την πρίζα της μπαταρίας και τη βίδα στεγανοποίησης. Λιπάνετε το κιβώτιο γραναζιού μέσω της οπής λίπανσης.

⚠️ ΠΡΟΕΙΔΟΠΟΙΗΣΗ: Μην λιπαίνετε ενώ το μηχάνημα είναι συνδεδεμένο στην μπαταρία ή λειτουργεί.

ΚΑΘΑΡΙΣΜΟΣ ΤΗΣ ΜΟΝΑΔΑΣ

- Καθαρίζετε τη μονάδα, χρησιμοποιώντας ένα υψώ πανί με ήπιο απορρυπαντικό.
- Μη χρησιμοποιήσετε κανένα δραστικό απορρυπαντικό πάνω στο πλαστικό περιβλήμα ή τη χειρολαβή. Αυτά μπορούν να καταστραφούν από ορισμένα αρωματικά έλαια, όπως πεύκο και λεμόνι, καθώς και από διαλύτες, όπως η κηροζίνη. Η υγρασία μπορεί, επίσης, να προκαλέσει κίνδυνο ηλεκτροπληξίας. Σκουπίζετε την ενδεχόμενη υγρασία με ένα μαλακό στεγνό πανί.

ΑΠΟΘΗΚΕΥΣΗ ΤΗΣ ΜΟΝΑΔΑΣ

- Αποσυνδέετε τη συστοιχία μπαταριών από το χλοοκοπτικό με νήμα, εφόσον δε χρησιμοποιείται.
- Καθαρίστε το εργαλείο σχολαστικά προτού το αποθηκεύσετε.

- Αποθηκεύετε τη μονάδα σε έναν στεγνό, καλά αεριζόμενο χώρο, κλειδωμένο ή σε ψηλό σημείο, μακριά από τα παιδιά. Μην αποθηκεύετε τη μονάδα επάνω ή δίπλα σε λιπάσματα, βενζίνη ή άλλες χημικές ουσίες.
- Κατά τη διάρκεια της μεταφοράς και αποθήκευσης, χρησιμοποιήστε κάλυμμα μεταφοράς για τις μεταλλικές λεπίδες.

Προστασία του περιβάλλοντος



Μη απορρίπτετε ηλεκτρικό εξοπλισμό, παλιές μπαταρίες και φορτιστές στα οικιακά απορρίμματα! Μεταφέρετε αυτό το προϊόν σε εξουσιοδοτημένο κέντρο ανακύκλωσης και παραδώστε το για ξεχωριστή συλλογή. Τα ηλεκτρικά εργαλεία πρέπει να επιστρέφονται σε περιβαλλοντικά συμβατή μονάδα ανακύκλωσης.

ΑΝΤΙΜΕΤΩΠΙΣΗ ΠΡΟΒΛΗΜΑΤΩΝ

ΠΡΟΒΛΗΜΑ	ΑΙΤΙΑ	ΕΠΙΛΥΣΗ
Το εργαλείο δε λειτουργεί.	<ul style="list-style-type: none"> ■ Το πακέτο συσσωρευτών δεν είναι συνδεδεμένο στο χλοοκοπτικό με νήμα. ■ Δεν υπάρχει ηλεκτρική επαφή μεταξύ του χλοοκοπτικού και της μπαταρίας. ■ Η συστοιχία μπαταριών έχει αδειάσει. 	<ul style="list-style-type: none"> ■ Προσαρτήστε τη συστοιχία μπαταριών στο χλοοκοπτικό με νήμα. ■ Επανατοποθετήστε το πακέτο συσσωρευτών με τον προβλεπόμενο φορτιστή. ■ Φορτίστε τη συστοιχία μπαταριών.
Συσσωρεύεται γρασίδι γύρω από την κεφαλή χλοοκοπτικού και από το περιβλήμα κινητήρα	<ul style="list-style-type: none"> ■ Η καλύπτρα δεν έχει τοποθετηθεί στο χλοοκοπτικό με αποτέλεσμα μια εξαιρετικά μακριά γραμμή κοπής και την υπερφόρτωση του μοτέρ. ■ Χρησιμοποιείται βαρύ νήμα κοπής. ■ Ο άξονας κινητήρα ή η κεφαλή χλοοκοπτικού έχουν γεμίσει με γρασίδι. ■ Ο κινητήρας έχει υπερφορτωθεί. ■ Η συστοιχία μπαταριών ή το χλοοκοπτικό με νήμα έχει υπερθερμανθεί. ■ Το βύσμα της συστοιχίας μπαταριών έχει αποσυνδεθεί από το εργαλείο. ■ Η συστοιχία μπαταριών έχει αδειάσει. 	<ul style="list-style-type: none"> ■ Αποσυνδέστε τη συστοιχία συσσωρευτών και τοποθετήστε την καλύπτρα στο χλοοκοπτικό. ■ Χρησιμοποιείτε το προτεινόμενο νάιλον νήμα κοπής με διάμετρο όχι μεγαλύτερη από 3,0 mm. ■ Απενεργοποιήστε το χλοοκοπτικό, απομακρύνετε τη μπαταρία και απομακρύνετε το γρασίδι από τον άξονα κινητήρα και την κεφαλή χλοοκοπτικού. ■ Το μηχανήμα θα επανέλθει μόλις μειωθεί το φορτίο. Για συνεχή εργασία, ελαττώστε το φορτίο της μηχανής. ■ Αφήστε τη συστοιχία μπαταριών ή το χλοοκοπτικό να κρυώσουν, μέχρι να πέσει η θερμοκρασία τους κάτω από τους 67°C. ■ Συνδέστε εκ νέου το βύσμα. ■ Φορτίστε τη συστοιχία μπαταριών.

ΠΡΟΒΛΗΜΑ	ΑΙΤΙΑ	ΕΠΙΛΥΣΗ
Не удаётся вытянуть леску.	<ul style="list-style-type: none"> ■ Ο άξονας κινητήρα ή η κεφαλή χλοοκοπτικού έχουν γεμίσει με γρασίδι. ■ Δεν υπάρχει επαρκές νήμα στην κεφαλή κοπής. ■ Η κεφαλή χλοοκοπτικού είναι βρώμικη. ■ Το νήμα έχει μπλεχτεί στην κεφαλή κοπής. ■ Το νήμα είναι υπερβολικά κοντό. 	<ul style="list-style-type: none"> ■ Σταματήστε το χλοοκοπτικό, απομακρύνετε τη μπαταρία και αφαιρέστε το γρασίδι από τον άξονα κινητήρα και την κεφαλή χλοοκοπτικού. ■ Απομακρύνετε τη μπαταρία και αντικαταστήστε το νήμα κοπής. Ακολουθήστε τις οδηγίες της ενότητας «ΑΝΤΙΚΑΤΑΣΤΑΣΗ ΝΗΜΑΤΟΣ» στο παρόν εγχειρίδιο. ■ Απομακρύνετε τη μπαταρία και καθαρίστε τη διάταξη καλύμματος, το καρούλι και το επάνω κάλυμμα. ■ Απομακρύνετε τη μπαταρία, αφαιρέστε το νήμα από το καρούλι και τυλίξτε εκ νέου. Ακολουθήστε τις οδηγίες της ενότητας «ΑΝΤΙΚΑΤΑΣΤΑΣΗ ΝΗΜΑΤΟΣ» στο παρόν εγχειρίδιο. ■ Απομακρύνετε τη μπαταρία και τραβήξτε το νήμα ενώ πατάτε κάτω και αποδεσμεύετε διαδοχικά την κεφαλή χλοοκοπτικού.
Trava se omotava oko glave šišača trave i kućišta motora	<ul style="list-style-type: none"> ■ Κοπή ψηλού γρασιδιού σε επίπεδο εδάφους. 	<ul style="list-style-type: none"> ■ Κόψτε τα αγριόχορτα σε διάφορα τμήματα, από επάνω προς το έδαφος.

ΕΓΓΥΗΣΗ

ΠΟΛΙΤΙΚΗ ΕΓΓΥΗΣΗΣ EGO

Επισκεφθείτε την ιστοσελίδα egopowerplus.com για όλους τους όρους και τις προϋποθέσεις της πολιτικής εγγύησης EGO.

TÜM TALIMATLARI OKUYUN!



KULLANIM KILAVUZUNU OKUYUN

⚠ UYARI: Artık risk! Kalp pili gibi elektronik cihaz kullanan kişiler bu ürünü kullanmadan önce hekimlerine danışmalıdır. Elektrikli cihazların, kalp pili yakınında çalıştırılması kalp pilinde parazit veya arızaya neden olabilir.



Güvenlik Uyarısı



Koruyucu Gözlük Takın - Bu ürünü çalıştırırken daima göz koruması, yan siperleri olan koruyucu gözlük ya da tam yüz maskesi kullanın.



Kulak Koruması Takın - Bu ürünü kullanırken daima kulak koruması kullanın.



Koruyucu Kask Takın - Başınızı korumak için onaylanmış bir kask takın.



Yuvarlak kesim bıçağı takmayın.



En-Misinalı çim biçme makinesinin maks. kesim genişliği



Misinalı çim biçme makinesi kullanılırken diğer insanların ve evcil hayvanların en az 15m uzakta olduklarından emin olun.



Garanti edilen ses gücü seviyesi. Avrupa Birliği Yönetmeliği'ne göre çevre gürültü emisyonu.



Atık elektrikli ürünler, evsel atıklar ile birlikte imha edilmemelidir. Yetkili bir geri dönüşüm merkezine teslim edilmelidir.

n_0

Yüksüz Hız-Yüksüz dönüş hızı



Doğru Akım

GÜVENLİK SEMBOLLERİ



UYARI: Elektrikli aletlerin kullanımı yabancı nesnelerin gözlerinize fırlatılması sonucunu doğurabilir, bu da gözlerde ciddi hasara yol açabilir. Elektrikli aleti kullanmaya başlamadan önce, daima göz koruması veya yan siperleri olan koruyucu gözlük takın ve gerektiğinde tam yüz siperi kullanın. Gözlük üzerine kullanım için Wide Vision Koruyucu Maske ya da yan siperleri olan standart koruyucu gözlükleri tavsiye ederiz.



Yaralanma riskini azaltmak için, kullanıcı kullandığı kılavuzunu mutlaka okumalıdır.



Koruyucu Ayakkabı Giyin - Bu cihazı kullanırken kaymaz emniyet ayakkabıları giyin.



Koruyucu Eldiven Takın - Bıçağa veya bıçak muhafazasına dokunurken eldiven giyerek ellerinizi koruyun.



Bıçağın kuvvetle itilmesine karşı dikkatli olun - Operatörü yırtan bıçağının oluşturacağı tehlikeye karşı uyarın.



Çap-Naylon kesim misinasının çapı



Fırlayan cisimler sekebilir ve kişisel yaralanma veya mal hasarına yol açabilir. Çalı kesici kullanılırken üçüncü şahısların ve evcil hayvanların cihazdan uzakta olduklarından emin olun.



Bu ürünü yağmur altında kullanmayın veya yağmur yağarken dışarıda bırakmayın.



Bu ürün, yürürlükteki AB yönetmeliklerine uygundur.

V

Volтаж

.../min

Dakika Başına

kg

Kilogram

TEKNİK ÖZELLİKLER

Voltaj	56 V $\overline{\text{---}}$	
Yüksüz Hız	5800/dak.'ya kadar	
Kesim Mekanizması	Çarpma Başı	
Kesim Misinası Türü	3,0mm naylon bükülü misina	
Kesim Genişliği	38 cm	
Tavsiye Edilen Çalışma Sıcaklığı	0°C-40°C	
Tavsiye Edilen Depolama Sıcaklığı	-20°C-70°C	
Optimum Şarj Sıcaklığı	5°C-40°C	
Ağırlık (akü hariç)	5,8 kg	
Ölçülen ses güç düzeyi L_{WA}	94,2dB(A) K=1,8 dB(A)	
Operatörün duyduğu ses güç düzeyi L_{PA}	74,15 dB(A) K=2,5 dB(A)	
Garanti edilen ses güç düzeyi L_{WA} (2000/14/EC uyarınca ölçülmüş)	96 dB(A)	
Titreşim değeri a_h	Ön destek sapı	3,2 m/s ² K=1,5 m/s ²
	Arka tutma yeri	2,3 m/s ² K=1,5 m/s ²

■ Bildirilen toplam titreşim değeri standart test yöntemine uygun olarak ölçülmüştür ve bir cihazı diğer bir cihaz ile karşılaştırmak için kullanılabilir.

■ Bildirilen toplam titreşim değeri ayrıca ön maruz kalma değerlendirilmesinde de kullanılabilir.

⚠ UYARI: Elektrikli aletin gerçek kullanımını sırasında meydana gelen titreşim emisyonu aletin kullanım şekline bağlı olarak bildirilen değerden farklı olabilir; Operatörü korumak için, kullanıcı gerçek kullanım koşullarında eldiven ve kulak koruması takmalıdır.

AMBALAJ LİSTESİ (Şek. A1)

MIKTAR

AÇIKLAMA

MİSİNALI ÇİM BİÇME MAKİNESİNİZİ TANIYIN (Şek. A1)

1. Priz
2. Kilit açma kolu

3. Sınır Halkası
4. Halka kolu
5. Kesim misinası
6. Koruyucu donanım
7. Şaft
8. Tetik
9. Arka tutma yeri
10. Çim Bıçme Makinesi Başlığı (Çarpma Başı)
11. Açma tırnağı
12. Misina- kesme bıçağı
13. Güvenlik bariyeri çubuğu (Sadece fırçalı kesici kafası için)
14. Güvenlik bariyeri için kilitleme pimi (Sadece fırçalı kesici kafası için)
15. Dış flanş (Sadece fırçalı kesici kafası için)
16. Somun (Sadece fırçalı kesici kafası için)
17. Vida
18. Alyen anahtarı

MONTAJ

⚠ UYARI: Hasarlı veya eksik parça varsa, bu parçalar değiştirilinceye kadar ürünü çalıştırmayın. Bu ürünün hasarlı veya eksik parçaları ile kullanılması ciddi kişisel yaralanmalara yol açabilir.

⚠ UYARI: Bu ürün üzerinde değişiklik yapmaya veya bu misinalı çim biçme makinesi ile kullanılması önerilmeyen aksesuarlar oluşturmaya çalışmayın. Bu tür değişiklikler veya modifikasyonlar hatalı kullanımdır ve ciddi kişisel yaralanmalara neden olabilen tehlikeli bir duruma sebep olabilir.

⚠ UYARI: Ciddi kişisel yaralanmalara neden olabilen yanlışlıkla çalışmayı önlemek için, parçaları monte ederken akü bağlantı parçasını mutlaka soketten çıkarın.

⚠ UYARI: Alet, fırçalı kesici kafasıyla donatıldığında, güvenlik bariyeri monte edilmelidir.

KORUMANIN TAKILMASI

⚠ UYARI: Koruyucu monte edilirken veya değiştirilirken daima eldiven takın. Koruyucu üzerindeki bıçağa ve elinizi kesilmemesine dikkat edin.

⚠ UYARI: Aleti asla koruması düzgün şekilde takılı değilken kullanmayın. Koruyucu, kullanıcıyı korumak için daima alete takılı durumda olmalıdır! Koruyucu takılıyken, asla koruyucuyu çıkarmaya veya ayarlamaya çalışmayın, değiştirilmesi gerekirse, yetkili bir servis teknisyeni tarafından gerçekleştirilmelidir!

Korumdaki iki vidayı gevşetin ve çıkarın (Şek. B), koruyucu montaj delikleri ile montaj deliklerini hizalayın ve iki yaylı rondela ile birlikte iki vida yardımıyla koruyucuyu mil tabanına sabitleyin (Şek. C).

⚠ UYARI: Koruyucunun Şek. B ve C'ye uygun olarak monte edildiğinden emin olun, hatalı bir montaj büyük tehlikeye yol açar!

HALKA KOLUNUN MONTAJI VE AYARLANMASI

1. Motoru durdurun ve takılı ise akü bağlantı parçasını soketten çıkarın.
2. Ayarlanabilir halka kolunu (Şek. D) ayırmak için kelebek somununu gevşetin.

DİKKAT: Alet, fırçalı kesici kafası ile donatıldığında, güvenlik bariyer çubuğu aksamını iki vidayla halka koluna takın.

Şek. D parçalarının açıklaması aşağıdaki gibidir:

D-1	Halka kolu	D-4	Güvenlik bariyeri çubuğu (Sadece fırçalı kesici kafası için)
D-2	Mengene bloğu	D-5	Kilitleme pimi
D-3	Kelebek somun		

DİKKAT: İki tür kilitleme pimi vardır, daha kısa olanı çim biçme makinesi başlığı içindir. Uzun olanı fırçalı kesici kafası içindir. Aleti kullanırken doğru kilitleme pimini seçmeye dikkat edin.

3. Halka kolunu, sınır halkasının önündeki shafta doğru itin. Asla sınır halkası ve arka tutma alanı arasına yerleştirmeyin (Şek. E).

DİKKAT: Alet, fırçalı kesici kafası ile donatıldığında, halka kolunu sınır halkası ve uyarı etiketi arasında ayarlayın (Şek. F).

4. Kol yuvasına sıkıştırma bloğunu sokun. (Şek. G).
5. Kilitleme pimini monte edin ve kelebek somunu ile bunları önceden sıkın. Halka kolunun yukarı doğru durduğundan ve arka tutma yerinin üstüne doğru baktığından emin olun (Şek. G).
6. Çim biçme makinesini kullanırken rahat konumu bulana kadar halka kolunu sınır halkası ve etiket arasında ayarlayın.
7. Kilitleme piminin kolunu kilitleyin (Şek. I).

⚠ UYARI: Aleti asla halka kolu düzgün şekilde takılı değilken kullanmayın.

⚠ UYARI: Halka kolunu sadece sınır halkası ve etiket arasına sabitleyin.

ÇİM BİÇME MAKİNESİ BAŞLIĞINI 3 DİŞLİ BİÇAK İLE DEĞİŞTİRİN

1. Misinalı çim biçme makinesinden fişi çıkarın.
2. Kesme makinesi kafasını çevirerek flanş içindeki yanğı, dişli kutusundaki mil kilitleme deliğiyle aynı hizaya getirin ve deliğe bir dengeleyici çubuk yerleştirin (Şek. J).
3. Kesme makinesi kafasını çıkarmak için saat yönünde çevirin (Şek. J).
4. Koruyucu aksesuarı, rondelalarla üç vidayı gevşeterek çıkarın (Şek. K3).

DİKKAT: Yaralanmaya karşı korumak için, 3 dişli bıçakla herhangi bir işlem yapmadan önce eldiven giymelisiniz.

5. İç flanş ve flanş kapağını yerine monte edin (Şek. L1).
6. Bıçak yüzeyinin iç flanş çıkıntısının yüzeyi ile aynı hizada olmasını sağlayarak bıçağı motor miline monte edin. Dış flanş ve somunu monte edin (Şek. L2). Somunu SAAT YÖNÜNÜN TERSİ yönde elle sıkın.
7. Dişli kutusunu destek için sağlam bir yüzey üzerine yerleştirin. Bir elinizle fırçalı kesicinin milini, diğer elinizle çok işlevli anahtarı tutarak ve somunu dış flanşın üzerinde işaretli ok yönünde sıkarak sabitleyin (Şek. L3).

ÇALIŞMA

⚠ UYARI: Ürüne aşına olmanız sizi dikkatsiz yapmasın. İkinci dereceden bir dikkatsizliğin ciddi yaralanmalara neden olmak için yeterli olduğunu unutmayın.

⚠ UYARI: Daima göz koruması ve kulak koruması kullanın. Böyle yapılmaması sonucu gözlerinize fırlayan nesnelere ciddi kişisel yaralanmalara neden olabilir.

⚠ UYARI: Bu ürünün üreticisi tarafından önerilmeyen ek parça veya aksesuarları kullanmayın. Önerilmeyen parça veya aksesuarların kullanılması ciddi kişisel yaralanmalara neden olabilir.

⚠ UYARI: Ciddi kişisel yaralanmaları önlemek için, aksesuarlara bakım veya onarım, temizlik, değişim yapmadan veya makineden malzeme çıkarmadan önce akü bağlantı parçasını soketten çıkarın.

Bu ürünü aşağıda listelenen amaçlar için kullanabilirsiniz:

Budama: duvar, çit, ağaç ve kenarlıklarda bulunan çim ve otların temizlenmesi için kullanılır.

Kesim: normal çim biçme makinesi ile ulaşılması zor olan çimlerin kesilmesi için kullanılır.

DİKKAT: Makine sadece belirtilen kullanım amacına uygun kullanılmalıdır. Diğer kullanım şekilleri, örneğin çit budama, hatalı kullanım olarak kabul edilir.

AKÜ KABLOSUNUN TAKILMASI/ÇIKARILMASI

Sadece **şek. A2'da** listelenen pil paketi ve şarj cihazlarını kullanın.

İlk kullanımdan önce tamamen şarj edin.

Akü kablosunu takmak için (Şek.M)

Fişin işaretini ▲ çim biçme makinesindeki işareti ▲ ile hizalayın/ Fişi makine soketine takın ve yeşil conta soketin içinde tamamen kayboluncaya kadar itin.

Sökme

Akü kablosunu montaj olduğundan çıkarın ve fişi budama makinesinden çekip çıkarın.

MİSİNALI ÇİM BİÇME MAKİNESİNİ ÇALIŞTIRMA/ DURDURMA (Şek. N)

Çalıştırmak için

Kilitleme kolunu "ON" konumuna getirin, kilitleme dilini öne doğru itin ve ardından anahtar tetiğine basın. Tetik, kademesiz hız ayarıdır. Tetiği ne kadar çok çekerseniz, hız da o kadar yüksek olur.

N-1	Kilit açma kolu	N-3	Tetik Düğmesi
N-2	Kilitleme dili		

Durdurmak için

Tetik düğmesini bırakın ve kilitleme düğmesini tekrar "OFF" (KAPALI) konuma getirin.

UYARI: Mola verdiğinizde ve işiniz bittikten sonra daima akü bağlantı parçasını çim biçme makinesinden çıkarın.

MİSİNALI ÇİM BİÇME MAKİNESİNİN KULLANIMI

UYARI: Ciddi kişisel yaralanmayı önlemek için, bu cihazı kullanırken daima göz koruması veya koruyucu gözlük takın. Çalışma ortamı tozluysa, yüz veya toz maskesi takın.

Her kullanımdan önce kesilecek alanı temizleyin. Kesim parçalarına takılabilecek veya fırlatılabilecek taş, kırık cam, çivi, tel veya sicim vb. tüm nesnelere temizleyin. Çocukları, üçüncü şahısları ve evcil hayvanları çalışma alanından uzak tutun. Çocukları, üçüncü şahısları ve evcil hayvanları çalışma alanından en az 15 metre uzak tutun; buna rağmen üçüncü şahısların fırlayan nesnelere yaralanma riski olabilir. Üçüncü şahısların göz koruması kullanmaları

önerilir. Çalışırken yanınıza yaklaşan kimselerin olması durumunda derhal motoru ve kesici parçaları durdurun.

Her kullanımdan önce hasarlı/aşınmış parça olup olmadığını kontrol edin

Çarpma başlığını, koruyucuyu ve halka kolunu kontrol edin, çatlak, kıvrılmış, eğik veya hasarlı kesim parçalarını değiştirin.

Koruyucunun kenarındaki misina kesim bıçağı zamanla körelebilir. Bu bıçağı düzenli olarak bir eğe ile bilemeniz veya yenisiyle değiştirmeniz önerilir.

Her kullanımın ardından, çim biçme makinesini temizleyin.

DİKKAT: Hava deliklerindeki tıkanıklıklar motor gövdesindeki hava akımını engelleyerek aşırı ısınmaya ve motor hasarına neden olabilir.

- Aleti temizlemek için sadece nemli bir bez ve yumuşak bir temizleyici kullanın. Asla cihaza su girmesine izin vermeyin; aletin herhangi bir parçasını sıvıya daldırmayın.

- Motor gövdesindeki hava deliklerinin her zaman temiz kalmasını sağlayın.

UYARI: Çim biçme makinenizi temizlemek için asla su kullanmayın. Plastik parçaları temizlerken çözücü maddeler kullanmaktan kaçının. Çoğu plastik parça çeşitli tip ticari solventlerden zarar görebilir. Kir, toz, yağ, gres, vb. gidermek için temiz bez kullanın.

KESİM MİSİNASI UZUNLUĞUNUN AYARLANMASI

Kesim başlığı operatörün motoru durdurmaya gerek kalmadan kesim ipini salmasına olanak sağlar. İp aşırın veya yıpranırsa, tırpan çalışır durumda iken çarpma düğmesini hafifçe yere vurarak biraz daha ip salınabilir.

UYARI: Kesim ipi çok kısa olursa misinanın salınması daha zor olur.

UYARI: Misina kesim bıçağı donanımını çıkarmayın veya üzerinde değişiklik yapmayın. Aşırı uzun kesim ipi motorun aşırı ısınmasına neden olabilir ve ciddi kişisel yaralanmalara yol açabilir.

Kesim ipinin değiştirilmesi

DİKKAT: Daima 3,0 mm'yi aşmayan bir çapa sahip naylon kesim misinası kullanılmasını önerilir. Belirtilenin dışında kesim misinası kullanımı kesim makinesinin aşırı ısınmasına veya hasar görmesine neden olabilir.

UYARI: Asla metal takviyeli misina, tel, ip, vb. malzeme kullanmayın. Bunlar koparak tehlikeli biçimde fırlatılabilir.

1. Misinalı çim biçme makinesinden fişi çıkarın.
2. Gerekirse, kalan kesim ipini çıkarın.
3. 8m'lik misinayı kesin ve misinayı halka içindeki montaj deliğine yerleştirin (Şek. O1). Makaranın her iki tarafında eşit miktarda misina oluncaya kadar misinayı itin ve diğer taraftan çekin.
4. Alt kapak aksamını bastırarak ok yönünde çevirin ve her iki tarafta yaklaşık 14cm misina görününceye kadar misinayı makara üzerine sarın (Şek. O2).
5. Alt kapak aksamını aşağı bastırarak misinaları çekin ve kesim başlığının düzgün monte edildiğini kontrol etmek için manuel olarak ilerletin.

Kesim misinası çıkış noktasından kırıldığında veya çim biçme başlığına dokunulduğunda kesim misinası salınmazsa, aşağıdaki adımları izleyin:

1. Üst kapak üzerindeki açma tırnaklarına bastırın ve alt kapak aksamını çekerek çıkarın (Şek. K1 ve K2).
2. Makaradan misinayı çıkarın.
3. Alt kapak aksamını bir elinizle tutarak diğer elinizle alt kapak aksamını kavrayın ve üst kapaktaki sekmeleri alt kapak aksamındaki deliklerle hizalayın (Şek. O3); avucunuzu sekmeler üst kapağa kilitlene kadar alt kapak aksamına bastırmak için kullanın.
4. "MİSİNANIN DEĞİŞTİRİLMESİ" bölümündeki talimatları izleyerek tekrar misinayı takın.

BAKIM

⚠ UYARI: Bakım yaparken sadece aynı olan yedek parçaları kullanın. Makineyi düzenli olarak kontrol edin ve bakımını yapın. Emniyet ve güvenilirliği sağlamak için tüm tamir işleri uzman bir servis teknisyeni tarafından yapılmalıdır.

⚠ UYARI: Aküyle çalışan aletlerin elektrik prizine takılmalarına gerek yoktur; bu nedenle daima çalışır durumdadırlar. Ciddi kişisel yaralanmayı önlemek için, kesim parçaları veya diğer parçalara bakım veya onarım yaparken veya değişim sırasında ekstra önlemler alın ve dikkatli olun.

⚠ UYARI: Ciddi kişisel yaralanmaları önlemek için, eklenen aksesuarlara bakım veya onarım, temizlik, değişim yapmadan veya makineden malzeme çıkarmadan önce akü bağlantı parçasını soketten çıkarın.

DIŞLI KUTUSUNU YAĞLAYIN

En iyi çalışma ve daha uzun kullanım ömrü için dişli kutusunu her 50 saatlik çalışmadan sonra özel bir yağla yağlayın (her defasında 4-5g).

Özel yağ aşağıdaki gereksinimleri yerine getirmelidir.

1. DIN51818: NLGI-1 sınıfa ait konik penetrasyon derecesi.
2. Ester bazlı yağ.
3. Harika düşük sıcaklıkta başlatma, EP, mekanik kayma, aşınma dayanımı ve oksidatif stabilite özellikleri.
4. Çalışma sıcaklığı -40~180°C olmalıdır. Akü fişini ve sızdırmazlık vidasını çıkarın. Fişli kutusunu yağ deliğinden yağlayın.

⚠ UYARI: Çalı kesicisine akü takılıken veya çalışırken yağlamayın.

CİHAZIN TEMİZLENMESİ

- Cihazı nemli bir bez ve yumuşak deterjanla temizleyin.
- Plastik gövde veya tutma sapı üzerinde güçlü deterjanlar kullanmayın. Çam ve limon gibi belirli aromatik yağlar ve kerosen gibi çözücü maddeler bu yüzeylere zarar verebilir. Nem nedeniyle elektrik çarpması tehlikesi oluşabilir. Yumuşak kuru bir bezle nemli yerleri silin.

CİHAZIN SAKLANMASI

- Kullanılmadığı zamanlarda, akü bağlantı parçasını misinalı çim biçme makinesinden soketten çıkarın.
- Cihazı saklamadan önce tamamen temizleyin.
- Cihazı çocukların ulaşamayacağı kuru, iyi havalandırılmış, kilitli ve yüksek bir yerde muhafaza edin. Gübre, benzin veya diğer kimyasal maddelerin yanında saklamayın.
- Taşıma ve depolama sırasında metal bıçaklar için bir taşıma kapağı kullanın.

Çevre koruması



Elektrikli cihazları, kullanılmış aküyü ve akü şarj cihazını evsel atıklarla birlikte atmayın! Bu ürünü yetkili bir geri dönüşümcüye götürün ve ayrı bir şekilde toplanmasını sağlayın. Elektrikli aletler çevreyle uyumlu bir geri dönüşüm tesisine götürülmelidir.

SORUN GİDERME

SORUN	SEBEP	ÇÖZÜM
Cihaz çalışmıyor	<ul style="list-style-type: none"> ■ Akü, misinalı çim biçme makinesine takılı değil. ■ Çim biçme makinesi ile akü arasında elektrik teması yok. ■ Akü boşalmış. 	<ul style="list-style-type: none"> ■ Aküyü çim biçme makinesine takın. ■ Aküyü belirtilen şarj cihazı ile şarj edin. ■ Aküyü şarj edin.
Çimler, çim biçme başlığının etrafına ve motor gövdesine dolanıyor	<ul style="list-style-type: none"> ■ Çim biçme makinesine koruyucu takılmamış, sonuç olarak aşırı uzun kesim misinası ve motorun aşırı ısınması söz konusu. ■ Ağır kesim misinası kullanılıyor. ■ Motor şaftı veya çim biçme makinesi başlığı çimler nedeniyle tutukluk yapıyor. ■ Motora aşırı yüklenilmiş. ■ Akü veya misinalı çim biçme makinesi çok sıcak. ■ Akü bağlantı parçası ile aletin bağlantısı kesilmiş. ■ Akü boşalmış. 	<ul style="list-style-type: none"> ■ Akü bağlantı parçasını soketten çıkarın ve koruyucuyu çim biçme makinesine monte edin. ■ Çapı en fazla 3,0mm olan naylon kesim misinası kullanmanız önerilir. ■ Çim biçme makinesini durdurun, aküyü çıkarın ve mili ve çim biçme başlığındaki çimleri temizleyin. ■ Yük kaldırıldığında cihaz normale dönecektir. Sürekli çalışma için makinenin yükünü azaltın. ■ Akü veya çim biçme makinesinin 67°C'nin altına düşene kadar soğumasını bekleyin. ■ Bağlantı parçasını tekrar takın. ■ Aküyü şarj edin.
Kesim misinası beslenemiyor	<ul style="list-style-type: none"> ■ Motor şaftı veya çim biçme makinesi başlığı çimler nedeniyle tutukluk yapıyor. ■ Çim biçme makinesi başlığında yeteri kadar misina yok. ■ Çim biçme başlığı kırı. ■ Misina çim biçme makinesinin başlığına dolanmış. ■ Misina çok kısa. 	<ul style="list-style-type: none"> ■ Çim biçme makinesini durdurun, aküyü çıkarın ve motor mili ve çim biçme başlığındaki çimleri temizleyin. ■ Aküyü çıkarın ve bu kılavuzdaki "MİSİNANIN DEĞİŞTİRİLMESİ" bölümünü izleyerek kesim misinasını değiştirin. ■ Aküyü çıkarın ve alt kapak aksamını, makarayı ve üst kapağı temizleyin. ■ Aküyü çıkarın ve bu kılavuzdaki "MİSİNANIN DEĞİŞTİRİLMESİ" bölümünü izleyerek kesim misinasını makaradan çıkarın ve yeniden sarın. ■ Aküyü çıkarın ve ardı ardına çim biçme makinesinin başlığına basarak ve serbest bırakarak misinaları çekin.
Çimler, çim biçme başlığının etrafına ve motor gövdesine dolanıyor	<ul style="list-style-type: none"> ■ Uzun çimler zemin seviyesinde kesiliyor. 	<ul style="list-style-type: none"> ■ Yabani otları üstten yer seviyesine çeşitli bölümlere ayırın.



GARANTİ

EGO GARANTİ POLİTİKASI

EGO Garanti politikasına ilişkin tüm hüküm ve koşullar için, lütfen egopowerplus.com adresindeki web sitemizi ziyaret edin.

TR

LUGEGE KÕIKI JUHISEID!



LUGEGE KASUTUSJUHENIDIT

⚠ HOIATUS! Kaasnev risk! Inimesed, kes kasutavad elektroonilisi seadmeid, nt südamestimulaatorit, peaksid enne selle toote kasutamist konsulteerima oma arstiga. Elektriseadmete kasutamine südamestimulaatori läheduses võib põhjustada südamestimulaatori häireid või rikkeid.



Ohutusteade



Kandke kaitseprille - Kandke selle toote kasutamise ajal alati kaitseprille või külgkaitsetega kaitseprille ja täielikku näokaitset.



Kasutage kõrvade kaitsevahendeid - Seadmega töötades kasutage alati kuulmiskaitset.



Kandke tugevat peakatet - Pea kaitsmiseks kandke nõuetekohast tugevast materjalist peakatet.



Ärge paigaldage ümaraid lõiketerasid.



Laius - Jõhvtrimmeri maksimaalne lõikeulatus



Jõhvtrimmeriga töötamise ajal ei tohi vähemalt 15 m raadiuses olla loomi ega teisi inimesi.



Garanteeritud helivõimsuse tase. Seadme müra keskkonnas on Euroopa Ühenduse direktiiviga vastavuses.



Elektriseadmete jäätmeyra ei tohi visata olmejäätmete hulka. Viige volitatud taaskäitleja juurde.

n_0

Tühikäigu kiirus-Tühikäigu pöörlemiskiirus



Alalisvool

OHUTUSSÜMBOLID

⚠ HOIATUS! Mis tahes elektriliste tööriistade kasutamine võib põhjustada vöörkehade paiskumist silma, mis võib põhjustada raskeid silmakahjustusi. Kandke elektriliste tööriistade kasutamise ajal alati kaitseprille või külgkaitsetega kaitseprille ja vajadusel täielikku näokaitset. Soovitame kanda prillide peal laia vaatealaga kaitsemaski või tavalisi külgkaitsetega kaitseprille.



Vigastuste ohu vähendamiseks peab kasutaja enne toote kasutamist kasutusjuhendit lugema.



Kandke ohutusjalatseid. - Tööriista kasutamisel kandke mitteliibsevaid turvajalanõusid.



Kindad - Tera või tera kaitse käsitsemisel kandke kätte kaitsmiseks kindaid.



Ettevaatust tera tagasilöögiga - Hoiatage seadme operaatorit tera tagasilöögi ohu eest.



Läbimõõt - Nailonist lõikejõhvi läbimõõt



Vöörkehad võivad rikošetiga eemale paiskuda ja selle tagajärjeks võivad olla isikuvigastused või vara kahjustumine. Võsalõikuriga töötamise ajal ei tohi läheduses olla loomi ega teisi inimesi.



Mitte kasutada vihma käes või jätta välitingimustesse vihmajärgi ajal.




Toode vastab rakendatavatele EÜ direktiividele.

V Pinge

.../min Minutis

kg Kilogramm

SPETSIFIKATSIOONID

Pinge	56 V 	
Tühikäik	Kuni 5800 /min	
Lõikemehhanism	Muhuga pea	
Lõikejõhvi tüüp	3,0mm nailonist jõhv (keerumusega)	
Lõikelaius	38 cm	
Soovituslik töökeskkonna temperatuur	0°C-40°C	
Soovituslik hoiustamise temperatuur	-20°C-70°C	
Optimaalne laadimistemperatuur	5°C-40°C	
Kaal (ilma akuplokita)	5,8 kg	
Mõõdetud helirõhu tase L_{WA}	94,2 dB(A) K=1,8 dB(A)	
Helirõhk seadme operaatori kõrva juures L_{PA}	74,15 dB(A) K=2,5 dB(A)	
Garanteeritud helirõhk L_{WA} (mõõdetud vastavalt 2000/14/EN)	96 dB(A)	
Vibratsioon a_h mõõtmise:	Eesmine abikäepide	3,2 m/s ² K=1,5 m/s ²
	Tagumine käepide	2,3 m/s ² K=1,5 m/s ²

- The declared vibration total value has been measured in accordance with a standard test method and may be used for comparing one tool with another;
- The declared vibration total value may also be used in a preliminary assessment of exposure.

NOTICE: The vibration emission during actual use of the power tool can differ from the declared value in which the tool is used; In order to protect the operator, user should wear gloves and ear protectors in the actual conditions of use.

PAKENDI LOEND (Joon. A1)

KIRJELDUS

TUNNE OMA JÕHVTRIMMERIT (joon. A1)

1. Pesa
2. Lukustushoob

3. Läve rõngas
4. Aaskäepideme
5. Trimmeri jõhv
6. Kaitsepiire
7. Vars
8. Päästik
9. Tagumine käepide
10. Trimmeripea (muhuga pea)
11. Vabastussakk
12. Jõhvi lõketera
13. Kaitsetõkke moodul (ainult võsalõikuri pea jaoks)
14. Kaitsetõkke mooduli lukustusdetail (ainult võsalõikuri pea jaoks)
15. Välimine äärisk (ainult võsalõikuri pea jaoks)
16. Mutter (ainult võsalõikuri pea jaoks)
17. Kruvi
18. Kuuskantvõti

KOKKUPANEK

⚠ HOIATUS! Kui mõni osa on kahjustatud või puudub, ärge kasutage seadet enne, kui see osa on parandatud või väljavahetatud. Kasutades kahjustatud või vajalike komponentideta seadet, võite saada raskeid vigastusi.

⚠ HOIATUS! Ärge üritage seadet ümber ehitada ega kasutada lisatarvikuid, mis pole mõeldud kasutamiseks selle jõhvtrimmeriga. Kõik niisugused muudatused loetakse väärkasutuseks ja need võivad põhjustada ohtlikke olukordi, mis lõppevad raskete vigastustega.

⚠ HOIATUS! Raskeid vigastusi põhjustada võiva juhusliku käivitumise vältimiseks katkestage seadmeosade kokkupane ku ajaks alati aku ühendus.

⚠ HOIATUS! Kui tööriist on varustatud võsalõikuri peaga, siis tuleb paigaldada ka kaitsetõkke moodul.

KAITSEPIIRDE PAIGALDAMINE

⚠ HOIATUS! Piirde paigaldamise või vahetamise ajal kasutage alati kindaid. Jälgige tera liikumist ja olge ettevaatlik, et te ei vigastaks oma käsi.

⚠ HOIATUS! Ärge kasutage tööriista, mille kaitsepiire pole korrektselt paigaldatud. Kasutaja turvalisuse huvides peab kaitsepiire kogu aeg kinnitatud olema. Kaitsepiirde paigaldamise järgselt ärge kunagi üritage seda eemaldada ega kohandada. Väljavahetamise vajaduse korral peab seda tegema kvalifitseeritud tehnik!

Kruvige lahti kaks kaitsepiirde (joon. B) küljes olevat kruvi, joondage aluse kinnitusaugud kaitsepiirde aukudega ja kinnitage kaitsepiire varre alumise osa külge kahe kruvi ja kahe seibiga (joon. C).

⚠ HOIATUS! Veenduge, et kaitsepiire on kinnitatud vastavalt joonistel B ja C antud juhistele. Juhiste eiramine tekitab väga ohtliku olukorra.

AASKÄPIDEME PAIGALDAMINE JA SEADISTAMINE

1. Seisake mootor ja ühendage aku ühendus pesast lahti (kui see on paigaldatud).
2. Vabastage tiibmutter ja eraldage reguleeritav aaskäepide (joon. D).

MÄRKUS: Kui tööriist on varustatud võsalõikuri peaga, siis paigaldage kaitsetõkke moodul kahe kruviga aaskäepideme külge.

Joonise D osade kirjeldus, vt allpool:

D-1	Aaskäepide	D-4	Kaitsetõkke moodul (ainult võsalõikuri pea jaoks)
D-2	Kinnitusplokk	D-5	Lukustusdetail
D-3	Tiibmutter		

MÄRKUS: Komplektis on kaht tüüpi lukustusdetailid. Lühem on mõeldud trimmeripea jaoks. Pikem on mõeldud võsalõikuri pea jaoks. Tööriista kasutamisel jälgige, et valite õige lukustusdetaili.

3. Lükake aaskäepide varrele läve rõngast ettepoole. Ärge kunagi paigaldage seda läve rõnga ja tagumise käepideme vahelisele alale (joon. E).

MÄRKUS: Kui tööriist on varustatud võsalõikuri peaga, siis reguleerige aaskäepide läve rõnga ja hoiatussildi vahele (joon. F).

4. Sisestage kinnitusplokk käepideme pesasse (joon. G).
5. Kinnitage lukustusdetail ja eelpingutage need tiibmutriga. Veenduge, et aaskäepide on suunatud ülespoole ja tagumise käepideme ülaosa suunas (joon. H).
6. Kui kasutate trimmerit, siis reguleerige aaskäepide läve rõnga ja sildi vahele enda jaoks mugavasse kohta.
7. Lukustage lukustusdetaili hoob (joon. I).

⚠ HOIATUS! Ärge kasutage tööriista ilma tugevalt kinnitatud aaskäepidemeta.

⚠ HOIATUS! Aaskäepidet tohib paigaldada vaid läve rõnga ja sildi vahele.

TRIMMERIPEA VAHETAMINE 3-TERALISE LÕIKETERA VASTU

1. Eemaldage toitepistik jõhvtrimmerist.
2. Keerake trimmeripead, et joondada äärikus olev ava käigukastis oleva võlli lukustamise avaga ning paigaldage avasse stabilisaator (joon. J).
3. Eemaldamiseks keerake trimmeripead päripäeva (joon. J).
4. Eemaldage kaitsepiirde tarvik, vabastades kolm kruvi ja seibi (joon. K3).

MÄRKUS: Vigastuste vältimiseks kandke 3-teralise lõiketera käsitsemisel alati kindaid.

5. Pange sisemine äärik ja ääriku kate oma kohale (joon. L1).
6. Paigaldage lõiketera mootoriosa külge ja veenduge, et tera pind on sisemise ääriku kumerusega ühetasa. Paigaldage välimine äärik ja mutter (joon. L2). Keerake mutrit käsitsi VASTUPÄEVA.
7. Asetage käigukast toetamise eesmärgil kindla pinna vastu. Hoidke ühe käega võsalõikuri varrest ja haarake teise käega multifunktsionaalne mutrivõti, et keerata mutter kinni välimisele äärikule märgitud noole suunas (joonis L3).

KASUTAMINE

⚠ WARNING: Do not allow familiarity with this product to make you careless. Remember that a careless fraction of a second is sufficient to inflict serious injury.

⚠ WARNING: Always wear eye protection, along with hearing protection. Failure to do so could result in objects being thrown into your eyes and other possible serious injuries.

⚠ WARNING: Do not use any attachments or accessories not recommended by the manufacturer of this product. The use of attachments or accessories not recommended can result in serious personal injury.

⚠ HOIATUS! Raskete vigastuste vältimiseks ühendage aku ühendus alati pesast lahti enne, kui asute seadet hooldama, puhastama, tarvikuid vahetama või kinni jäänud objekte eemaldama.

Seda toodet võite kasutada allpool loetletud eesmärkidel:

Trimmerdamine: seinte, aedade, puude ja piirete ääres kasvava muru eemaldamiseks.

Lõikamine: sellise muru lõikamiseks, millele on tavalise niiduki abil keeruline ligi pääseda.

MÄRKUS: Seadet tohib kasutada vaid käesolevas juhendis lubatud eesmärgil. Igasugust muud kasutust (nt heki lõikamist) loetakse väärkasutuseks.

AKU JUHTME PAIGALDAMINE/EEMALDAMINE

Kasutage ainult joonisel A2 esitatud akuplokke ja laadijaid.

Laadige enne esimest kasutamist täielikult.

Aku juhtme paigaldamiseks (joon. M)

Joondage pistiku ▲ jöhvtrimmeri ▲ -ga. Lükake pistik seadmesse nii kaugele, et roheline märgis kaob täies ulatuses pistikupesasse.

Eemaldamiseks

Vabastage aku juhe paigaldussoonest ja tõmmake pistik jöhvtrimmerist välja.

JÖHVTRIMMERI KÄIVITAMINE/PEATAMINE (joon. N)

Käivitamiseks

Seadke lukustushoob asendisse „ON“, seadke lukustuskeel ettepoole ja seejärel vajutage päästikülilit. Päästiku abil saab reguleerida kiirust sujuvalt (mitteastmeliselt). Mida kaugemale päästikut tõmmata, seda suuremaks kiirus läheb.

N-1	Lukustushoob	N-3	Päästikülilit
N-2	Lukustuskeel		

Peatamiseks

Vabastage päästikülilit ja liigutage lukustusnupp tagasi asendisse „OFF“.

⚠ HOIATUS! Tööpauside ajal ja pärast töö lõpetamist ühendage akuplokk alati pesast lahti.

JÖHVTRIMMERI KASUTAMINE

⚠ HOIATUS! Raskete vigastuste vältimiseks kasutage seadmega töötades alati kaitseprille. Tolmustes tingimustes kandke näomaski või tolumaski.

Enne töö alustamist puhastage tööpiirkond võrkehaded. Eemaldage tööpinna kõik kivid, klaasikillud, naelad, juhtmed ja nõõrid, mis võivad seadme külge või sisse kinni jääda. Jälgige, et tööpiirkonnas poleks lapsi, kõrvalisi isikuid ega loomi. Lapsed, kõrvalised isikud ja loomad peavad olema vähemalt 15 meetri kaugusel; ka selle tingimuse täidetuse korral säilib mõningane paiskuvatest esemetest tingitud oht kõrvalistele isikutele. Soovitage kõrvalistel isikutel kasutada kaitseprille. Kui keegi teile läheneb, seisake mootor ja lõikeseade koheselt.

Enne iga kasutuskorda kontrollige seadme kahjustumist / kulumist.

Kontrollige lõikepead, kaitsepiiret ja aaskäepidid ning vahetage välja mõranenud, väärdunud, paindunud või muul moel kahjustatud komponendid.

Jöhv lõiketera kaitsepiirde serval võib aja jooksul kuluda. Soovitatav on seda aeg-ajalt viiliga teritada või nürinemise korral uue vastu vahetada.

Puhastage trimmerit pärast iga kasutuskorda.

⚠ ETTEVAATUST! Öhutusava ees olevad objektid takistavad öhu pääsemist mootori korpusesse ning selle tulemusena võib mootor üle kuumeneda või kahjustusi saada.

- Puhastamiseks kasutage ainult pehmetoimelist seepi ja niisket lappi. Ärge laske vedelikul tööriista sisse sattuda ega kastke tööriista vedeliku sisse.
- Jälgige alati, et mootori korpuse öhutusavad oleksid puhtad.

⚠ HOIATUS! Ärge kunagi puhastage trimmerit veega. Väldige plastosade puhastamisel lahustite kasutamist. Enamik plastmasse lagunevad kaubanduslike lahustite toimel kergesti. Kasutage mustuse, tolm, öli, rasva jm eemaldamiseks puhast lappi.

LÖIKEJÖHVI PIKKUSE REGULEERIMINE

Trimmeripea abil saab kasutaja pikendada jöhv seadet seisukamata. Kui jöhv läheb katki või kulub, puudutage jöhv pikendamiseks lõikepea muhuga kergelt maad ilma trimmerit seisukamata.

MÄRKUS: Lõikejövhi vabastamine muutub jövhi lühenedes järjest raskemaks.

⚠ HOIATUS! Ärge eemaldage ega kohandage jövhi lõiketera. Liiga pikk jöhv põhjustab mootori ülekuumenemist, mis omakorda suurendab raskete vigastuste ohtu.

Jövhi vahetamine

MÄRKUS: Kasutage alati seadme jaoks mõeldud nailonist jövhi, mille diameeter ei ületa 3,0 mm. Muu jövhi peale kindlaks määratud jövhi kasutamine võib kaasa tuua trimmeri ülekuumenemise või kahjustumise.

⚠ HOIATUS! Ärge kasutage metalltugevdusega jövhi, traati, köit vmt. Need võivad murduda ning öhku paiskudes ohtlikuks muutuda.

1. Eemaldage toitepistik jöhvtrimmerist.
2. Vajadusel eemaldage ülejäänud jöhv.

- Lõigake 8 m pikkune lõikejõhv, sisestage jõhv augukeses olevasse kinnitusavasse (joon. O1). Lükake ja tõmmake jõhvi teiselt poolt kuni mõlemal pool pooli on sama palju jõhvi.
- Suruge pooli, samas alumise katte moodulit noole suunas keerates, et täita pool jõhviga mõlemalt poolt on näha kuni umbes 14 cm jõhvi (joon. O2).
- Vajutage alumise katte moodulit alla, samal ajal jõhve tõmmates, et jõhvi käsitsi edasi liigutada ja kontrollida, kas trimmeri pea on korralikult kokku pandud.

Kui jõhv läheb katki avadest, kust jõhv välja tuleb, või kui jõhv ei tule trimmeri pea vastu koputades välja, siis tehke järgmist.

- Vajutage ülemise katte vabastussakkidele ja eemaldage alumise katte moodul, tõmmates selle otse välja (joonised K1 ja K2).
- Eemaldage lõikejõhv poolilt.
- Hoides ühte kätt alumise katte moodulil, võtke teise käega alumise katte moodulist kinni ja joondage ülemise katte sakid avadega alumise katte moodulil (joon. O3); vajutage peopesaga alumise katte moodulit, kuni sakid lukustuvad ülemise katte külge.
- Uue jõhvi lisamiseks järgige juhiseid jaotises „JÕHVI VAHETAMINE“.

HOOLDUS

⚠ HOIATUS! Remontimisel kasutage vaid originaalvaruosi. Kontrollige ja hooldage seadet regulaarselt. Ohutuse ja töökindluse tagamiseks tohivad seda seadet remontida ainult vastava kvalifikatsiooniga hooldustehnikud.

⚠ HOIATUS! Akuga töötavaid tööriistu pole vaja vooluvõrku ühendada, seega on nad alati töörežiimis. Raskete kehavigastuste ennetamiseks olge väga hoolikals, kui teostate hooldus- või remonttööd või vahetate lõikeseadmeid või muid tarvikuid.

⚠ HOIATUS! Raskete vigastuste vältimiseks ühendage aku ühendus alati pesast lahti enne, kui asute seadet hooldama, puhastama, lisatarvikuid vahetama või kinni jäänud objekte eemaldama.

MÄÄRIGE KÄIGUKAST

Parima töö ja pikema tööea tagamiseks määrige käigukasti spetsiaalse määrdeainega (4-5 g iga kord) iga 50 töötunni järel.

Spetsiaalne määrdeaine peab vastama järgmistele nõuetele:

- DIN51818: NLGI-1 koonuspenetratsiooni klass.
- Estril põhinev määrdeaine.
- Suurepärase madalal temperatuuril käivitumine, EP, mehaaniline lõikamine, kulumiskindlus ja oksüdatsiooni stabiliseerivad omadused.
- Töötemperatuur peab sisaldama vahemikku -40 °C kuni 180 °C. Eemaldage aku kork ja kinnituskruvi. Määrige käigukast läbi määrdeaine ava.

⚠ HOIATUS: ärge määrige tööriista ajal kui võsalõikur on akuga ühendatud või töötab.

SEADME PUHASTAMINE

- Seadme puhastamiseks kasutage leebetoimelise puhastusvahendiga immutatud niisket lappi.
- Ärge kasutage plastmasskomponentide või käepideme puhastamiseks tugevatoimelisi puhastusaineid. Seadme osi võivad kahjustada teatud aromaatsed õlid (nt männi- või sidruniõli) ja teatud ained (nt petrooleum). Niiskus võib tekitada elektrilöögi ohu. Eemaldage niiskus pehme kuiva lapiga.

SEADME HOUSTAMINE

- Kui te jõhvtrimmerit ei kasuta, ühendage aku ühendus jõhvtrimmeri pesast lahti.
- Enne tööriista hoiustamist puhastage see hoolikalt.
- Hoidke tööriista kuivas, hästi ventileeritavas, lukustatud kohas ja kõrgel, lastele ligipääsmatus kohas. Ärge hoidke seadet väetiste, bensini või muude kemikaalide läheduses.
- Seadme transportimisel ja hoiustamisel kasutage metallterade jaoks mõeldud transportdikatteid.

Keskonnakaitse



Ärge visake elektriseadmeid, akulaadurit ega patareisid/akusid olmeprügi hulka! Viige toode volitatud taaskäitleja juurde ja võimaldage selle komponendid sorteerituna kõrvaldada. Elektritööriistad viige keskkonnakaitsenõudeid järgivasse jäätme käitluskeskusesse.

ET

TÖRKEOTSING

PROBLEEM	PÕHJUS	LAHENDUS
Seade ei käivitu.	<ul style="list-style-type: none"> ■ Akuplokk pole jõhvtrimmeriga ühendatud. ■ Trimmeri ja aku vahel puudub elektriline ühendus. ■ Akuplokk on tühi. 	<ul style="list-style-type: none"> ■ Kinnitage akuplokk jõhvtrimmeri külge. ■ Laadige akuplokki selleks ettenähtud laadijaga uuesti. ■ Laadige akuplokki.
Rohi keerdub ümber trimmeri pea ja mootori korpuse.	<ul style="list-style-type: none"> ■ Kaitsepiire pole trimmeri külge kinnitatud, mistõttu on jõhv liiga pikaks läinud ja mootor üle koormatud. ■ Kasutatakse rasket jõhvi. ■ Rohi on ummistanud mootori võlli või trimmeri pea. ■ Mootor on ülekoormatud. ■ Akuplokk või jõhvtrimmer on liiga kuum. ■ Akuploki ühendus on tööriista küljest lahti ühendatud. ■ Akuplokk on tühi. 	<ul style="list-style-type: none"> ■ Ühendage aku ühendus pesast lahti ja kinnitage kaitsepiire trimmeri külge. ■ Kasutage soovitatud nailonist lõikejõhvi, mille diameeter pole suurem kui 3,0 mm. ■ Seisake trimmer, ühendage aku lahti ja eemaldage võlli ja trimmeripea ümber kogunenud rohi. ■ Seadme võimsus taastub koormuse eemaldamisel. Järjepidevaks töötamiseks vähendage seadme koormust. ■ Jahutage akuplokki või trimmerit, kuni temperatuur langeb alla 67°C. ■ Ühendage ühendus uuesti pesasse. ■ Laadige akuplokki.
Не удаётся вытянуть леску.	<ul style="list-style-type: none"> ■ Rohi on ummistanud mootori võlli või trimmeri pea. ■ Trimmeripeas ei ole piisavalt jõhvi. ■ Trimmeri pea on määrdunud. ■ Jõhv kiilib trimmeripeasse kinni. ■ Jõhv on liiga lühike. 	<ul style="list-style-type: none"> ■ Seisake trimmer, ühendage aku lahti ja eemaldage mootori võlli ja trimmeripea ümber kogunenud rohi. ■ Eemaldage aku ja vahetage jõhv, järgides käesoleva juhendi alapunkti "JÕHVI VAHETAMINE" antud juhiseid. ■ Eemaldage aku ja puhastage alumise katte moodul, pool ja ülemine kate. ■ Eemaldage aku ning kerige jõhv pooli pealt maha ja tagasi, järgides käesoleva juhendi alapunkti "JÕHVI VAHETAMINE" antud juhiseid. ■ Eemaldage aku ja tõmmake jõhve ning vajutage samaaegselt mitu korda lõikepea peale.
Trava se omotava oko glave šišača trave i kučišta motora	<ul style="list-style-type: none"> ■ Kõrget rohtu lõigatakse maapinna lähedal. 	<ul style="list-style-type: none"> ■ Lõigake rohtu mitmes jaos, alustades ülevalt ja liikudes järk-järgult maapinna suunas.

GARANTII

EGA GARANTIIPÕHIMÕTTED

Täielikud EGO garantiitingimused leiate veebilehelt egopowerplus.com.

ПРОЧИТАЙТЕ ВСІ ІНСТРУКЦІЇ!



ПРОЧИТАЙТЕ ПОСІБНИК З ЕКСПЛУАТАЦІЇ

⚠ ПОПЕРЕДЖЕННЯ. Залишковий ризик!
Люди з електронними пристроями, наприклад кардіостимуляторами, повинні проконсультуватися зі своїм лікарем (лікарями) перед використанням цього виробу. Експлуатація електрообладнання в безпосередній близькості від кардіостимулятора може спричинити перешкоди або несправність кардіостимулятора.



Попередження щодо безпеки



Надягайте засоби захисту очей – працюючи з цим виробом, завжди носіть закриті захисні окуляри чи відкриті захисні окуляри з бічними щитками або повнопрофільну захисну маску.



Надягайте засоби захисту органів слуху – під час роботи з цим виробом завжди використовуйте засоби захисту органів слуху.



Надягайте засоби захисту голови – носіть схвалений захисний шолом для захисту голови.



Не встановлюйте кругові різальні леза.



Ширина – макс. ширина різання лісового тримера



Переконайтеся, що інші люди та домашні тварини залишаються на відстані принаймні 15 м від лісового тримера, коли він використовується.



Гарантований рівень звукової потужності. Розповсюдження шуму в навколишнє середовище згідно з директивою Європейського співтовариства.



Відходи електричних виробів не слід викидати разом із побутовим сміттям. Зверніться до авторизованого пункту переробки.

n_0

Швидкість холостого ходу-Обертова швидкість без навантаження



Постійний струм

СИМВОЛИ, ЩО СТОСУЮТЬСЯ БЕЗПЕКИ

⚠ ПОПЕРЕДЖЕННЯ. Використання будь-яких електроінструментів може призвести до потраплення сторонніх предметів в очі, що може спричинити серйозне пошкодження очей. Перед початком експлуатації електроінструмента завжди надягайте закриті захисні окуляри або відкриті захисні окуляри з бічними щитами та, якщо потрібно, повнопрофільну захисну маску. Ми рекомендуємо захисну маску широкого розміру для використання поверх окулярів або стандартні відкриті захисні окуляри з бічними щитами.



З метою зменшення ризику отримання травм користувач повинен прочитати посібник з експлуатації.



Надягайте захисне взуття – використовуючи таке обладнання, одягайте неслизьке захисне взуття.



Надягайте захисні рукавиці. – під час роботи з лезом і щитком леза одягайте рукавиці для захисту рук.



Остерігайтесь упору леза – попередьте оператора про небезпеку упору леза.



Діаметр – діаметр нейлонової ріжучої ліски



Відкинуті предмети можуть відрикошетитися і призвести до травм або пошкоджень майна. Переконайтеся, що інші люди та домашні тварини залишаються на відстані від кущоріза, коли він використовується.



Не використовуйте цей пристрій у дощ і не залишайте його в дощ надворі.



Цей виріб відповідає чинним директивам ЄС.

V

Напруга

.../min

На хвилину

kg

Кілограм

СПЕЦИФІКАЦІЇ

Напруга	56 В $\overline{\text{---}}$	
Швидкість холостого ходу	До 5800 /хв	
Ріжучий механізм	Ударна головка	
Тип ріжучої лиски	3,0-міліметрова нейлонова вита лиска	
Ширина різання	38 мм	
Діапазон рекомендованих робочих температур	0°C–40°C	
Діапазон рекомендованих температур зберігання	-20°C–70°C	
Оптимальна температура заряджання	5°C–40°C	
Вага (без акумулятора)	5,8 кг	
Вимірний рівень звукової потужності L_{WA}	94,2 dB(A) K=1,8 dB(A)	
Рівень звукового тиску на місці вуха оператора L_{PA}	74,15 dB(A) K=2,5 dB(A)	
Гарантований рівень звукової потужності L_{WA} (відповідно до стандарту 2000/14/EC)	96 dB(A)	
Оцінка вібрації a_{hv} :	Передня допоміжна ручка	3,2 m/s ² K=1,5 m/s ²
	Задня ручка	2,3 m/s ² K=1,5 m/s ²

- Вказане загальне значення вібрації виміряне за стандартним методом тестування і може використовуватися для порівняння одного інструмента з іншим;
- Заявлене сумарне значення вібрації може також використовуватись для попередньої оцінки впливу.

ПРИМІТКА. Емісія вібрації під час фактичного використання електроінструмента може відрізнятись від заявленої величини, у якій використовується інструмент. Щоб захистити оператора, користувач повинен вдягати рукавички та захисні навушники в реальних умовах використання.

СПИСОК ПРЕДМЕТІВ, ЩО ВХОДЯТЬ У КОМПЛЕКТ (Рис. А1)

ОПИС

ОЗНАЙОМЛЕННЯ З ЛІСКОВИМ ТРИМЕРОМ (рис. А1)

1. Гніздо
2. Важіль блокування
3. Порогове кільце
4. Ручка-скоба
5. Лиска тримера
6. Щиток у зборі
7. Вал
8. Тригер
9. Задня ручка
10. Головка тримера (ударна головка)
11. Фіксатор
12. Лісковий ніж
13. Захисна бар'єрна штанга (тільки для головки куцоріза)
14. Стопорний штифт для захисної бар'єрної штанги (тільки для головки куцоріза)
15. Зовнішній фланець (тільки для головки куцоріза)
16. Гайка (тільки для головки куцоріза)
17. Гвинт
18. Торцевий ключ

ЗБИРАННЯ

⚠ ПОПЕРЕДЖЕННЯ. Якщо якісь частини пошкоджені або відсутні, не користуйтеся цим інструментом, доки вони не будуть замінені. Використання цього виробу з пошкодженими або відсутніми деталями може призвести до серйозних травм.

⚠ ПОПЕРЕДЖЕННЯ. Не намагайтесь вдосконалити цей виріб або застосувати приладдя, не рекомендоване для нього. Кожна така заміна чи переробка є фактом неправильного користування, створює небезпечні умови й загрожує серйозними травмами.

⚠ ПОПЕРЕДЖЕННЯ. Щоб запобігти випадковому запуску, що може спричинити серйозні травми, завжди від'єднуйте роз'єм акумулятора від гнізда під час монтажу деталей.

⚠ ПОПЕРЕДЖЕННЯ. Якщо інструмент обладнано головою куцоріза, слід установити захисний бар'єр.

УСТАНОВЛЕННЯ ЩИТКА

▲ ПОПЕРЕДЖЕННЯ. Під час установлення або заміни щитка завжди слід носити рукавички. Остерігайтеся леза на щитку та захистіть руку від травм.

▲ ПОПЕРЕДЖЕННЯ. Ніколи не використовуйте інструмент, якщо щиток міцно не закріплено. Щиток завжди має бути на інструменті для захисту користувача! Коли щиток зафіксовано, ніколи не намагайтеся зняти або відрегулювати щиток. Якщо потрібно замінити його, це має виконувати кваліфікований технічний персонал!

Відкрутіть і зніміть два гвинти з запобіжника (рис. В), вирівняйте захисні монтажні отвори з отворами для збирання, а потім закріпіть щиток на основі вала за допомогою двох гвинтів разом із двома пружинними шайбами (рис. С).

▲ ПОПЕРЕДЖЕННЯ. Переконайтеся, що захисний щиток закріплений відповідно до рисунків В і С, будь-яке зворотнє кріплення може призвести до великої небезпеки!

УСТАНОВЛЕННЯ ТА РЕГУЛЮВАННЯ РУЧКИ-СКОБИ

1. Вимкніть мотор і від'єднайте роз'єм акумулятора від гнізда, якщо його встановлено.
2. Відкрутіть гайку-баранець, щоб відокремити регульовану ручку-скобу (рис. D).

ПРИМІТКА. Установіть захисну бар'єрну штангу в зборі на ручку-скобу за допомогою двох гвинтів, якщо інструмент обладнано головою кущоріза.

Рис. D – див. опис деталей нижче:

D-1	Ручка-скоба	D-4	Захисна бар'єрна штанга (тільки для головки кущоріза)
D-2	Затискний блок	D-5	Стопорний штифт
D-3	Гайка-баранець		

ПРИМІТКА. Існує два види стопорних штифтів, короткий призначений для головки тримера. Довший призначений для головки кущоріза. Будьте уважні та виберіть правильний стопорний штифт під час використання інструмента.

3. Натисніть на ручку-скобу в напрямку вала на передній частині порогового кільця. Ніколи не поміщайте її між пороговим кільцем і областю задньої ручки (рис. E).

ПРИМІТКА. Відрегулюйте ручку-скобу між пороговим кільцем та етикеткою попередження, якщо інструмент обладнано головою кущоріза (рис. F).

4. Вставте затискний блок у гніздо для ручки (рис. G).
5. Закріпіть стопорний штифт і злегка закрутіть її гайкою-баранцем. Переконайтеся, що ручка-скоба направлена на верхню частину задньої ручки (рис. H).
6. Відрегулюйте ручку-скобу між пороговим кільцем та етикеткою, доки не знайдете зручне положення для використання тримера.
7. Зафіксуйте важіль стопорного штифта (рис. I).

▲ ПОПЕРЕДЖЕННЯ. Ніколи не використовуйте інструмент, якщо ручка-скоба міцно не закріплена.

▲ ПОПЕРЕДЖЕННЯ. Обов'язково зафіксуйте ручку-скобу між пороговим кільцем і етикеткою.

ЗАМІНА ТРИМЕРНОЇ ГОЛОВКИ З 3 ЗУБЦЯМИ

1. Вийміть вилку шнура живлення з лісового тримера.
2. Поверніть головку тримера, щоб вирівняти гніздо фланця з отвором блокування вала в корпусі редуктора і вставте стабілізатор в отвір (рис. J).
3. Поверніть головку тримера за годинниковою стрілкою, щоб зняти її (рис. J).
4. Зніміть захисний аксесуар, відкрутивши три гвинти з шайбою (рис. K3).

ПРИМІТКА. Для захисту від травми необхідно одягати рукавички перед будь-якою операцією з лезом із 3 зубцями.

5. Установіть внутрішній фланець та кришку фланця на місце (рис. L1).
6. Установіть лезо на приводний вал, переконавшись, що поверхня леза врівень із поверхнею випуклості внутрішнього фланця. Установіть зовнішній фланець та гайку (рис. L2). Попередньо закрутіть гайку ПРОТИ ГОДИННИКОВОЇ СТРІЛКИ вручну.
7. Поставте корпус редуктора на тверду поверхню для опори. Однією рукою тримайте вал кущоріза, а іншою рукою візьміть багатофункціональний гайковий ключ, щоб затягнути гайку за напрямком стрілки, позначеної на зовнішньому фланці (рис. L3).

ЕКСПЛУАТАЦІЯ

▲ ПОПЕРЕДЖЕННЯ. Знання виробу не має робити вас небалим. Пам'ятайте, що півсекунди неуважності досить для серйозної травми.

⚠ ПОПЕРЕДЖЕННЯ. Завжди носіть засоби захисту органів зору та слуху. Без окулярів ви ризикуєте травмами очей від викинутих предметів та іншими серйозними травмами.

⚠ ПОПЕРЕДЖЕННЯ. Не використовуйте ніякі приладдя чи насадки, не рекомендовані виробником цього пристрою. Використання нерекomenдованого приладдя чи насадок може призвести до серйозних травм.

⚠ ПОПЕРЕДЖЕННЯ. Щоб запобігти серйозним травмам, від'єднайте роз'єм акумулятора від гнізда перед обслуговуванням, очищенням, заміною насадок або видаленням матеріалу з пристрою.

Ви можете використовувати цей виріб для цілей, перелічених нижче:

Підрізання: використовується для видалення трави та бур'янів біля стін, парканів, дерев та бордюрів.

Зрізання: використовується для зрізання трави, яку важко дістати за допомогою звичайної косарки.

ПРИМІТКА. Цей інструмент має використовуватись тільки за призначенням. Будь-яке інше використання, наприклад підрізання живоплоту, вважається випадком використання не за призначенням.

УСТАНОВЛЕННЯ ТА ЗНЯТТЯ КАБЕЛЮ АКУМУЛЯТОРА

Використовуйте лише акумулятори та зарядні пристрої, перелічені на рис. A2.

Повністю зарядіть перед першим використанням.

Установлення кабелю акумулятора (рис. M)

Вирівняйте ▲ на штепселі з ▲ на лісовому тримері. Вставте штепсель в інструмент таким чином, щоб зелений ущільнювач повністю зник у гнізді.

Видалення

Від'єднайте шнур акумулятора від кріпильного паза та витягніть штепсель із лісового тримера.

ЗАПУСК/ЗУПИНКА ЛІСОВОГО ТРИМЕРА (рис. N)

Запуск

Натисніть важіль блокування в положення «УВІМК.», натисніть запірний язичок вперед, потім натисніть на важіль перемикача. Цей важіль слугує для плавного регулювання швидкості. Що більше ви піднімаєте важіль, то вище швидкість.

N-1	Важіль блокування	N-3	Важіль перемикача
N-2	Важіль перемикача		

Зупинка

Відпустіть важіль перемикача та натисніть кнопку блокування, щоб повернутися в положення «OFF».

⚠ ПОПЕРЕДЖЕННЯ. Завжди від'єднайте роз'єм акумулятора від гнізда під час перерв у роботі та після закінчення роботи.

ВИКОРИСТАННЯ ЛІСОВОГО ТРИМЕРА

⚠ ПОПЕРЕДЖЕННЯ. Щоб уникнути серйозних травм, завжди використовуйте закриті або відкриті захисні окуляри під час роботи з цим пристроєм. Одягайте маску для обличчя або пилову маску в місцях, де є пил.

Очищуйте ділянку підрізання перед кожним використанням. Видаліть усі предмети, такі як камені, бите скло, цвяхи, дроти або ліску, які можуть бути відкинуті або затягнуті в ріжуче обладнання. Приберіть із робочої області дітей, сторонніх і домашніх тварин. Принаймні тримайте всіх дітей, сторонніх спостерігачів і домашніх тварин на відстані не менше 15 м; проте для сторонніх спостерігачів усе одно може бути ризик від відкинутих предметів. Стороннім спостерігачам слід рекомендувати носити засоби захисту очей. Перед наближенням зупиніть мотор і ріжучий пристрій негайно.

Перед кожним використанням перевірте наявність пошкоджень/зношених деталей

Перевірте ударну головку, щиток і ручку-скобу, а також замініть частини, які тріснули, викривлені, зігнуті або будь-яким чином пошкоджені.

Ріжучий лісовий ніж на краю щитка може затупитися з часом. Рекомендується періодично заточувати його за допомогою напилка або замінити його на нове лезо.

Після кожного використання очистьте тример.

⚠ ЗАСТЕРЕЖЕННЯ. Засмічення вентиляційних отворів перешкоджає проникненню повітря в корпус мотора і може призвести до перегріву або пошкодження мотора.

- Чистьте тільки м'яким милом і вологою ганчіркою. Ніколи не допускайте потрапляння рідини всередину інструмента; ніколи не занурюйте будь-яку частину інструмента в рідину.
- Завжди оберігайте вентиляційні отвори в корпусі мотора від сміття.

⚠ ПОПЕРЕДЖЕННЯ. Ніколи не використовуйте воду для очищення тримера. Не застосовуйте розчинники, коли чистите пластмасові деталі. Більшість пластмас чутливі до пошкоджень різноманітними промисловими розчинниками. Для видалення бруду, пилу, мастила тощо користуйтеся чистою ганчіркою.

РЕГУЛЮВАННЯ ДОВЖИНИ РІЗУЧОЇ ЛІСКИ.

Тримерна головка дає оператору змогу випустити більше різучої ліски, не зупиняючи мотор. Коли ліска стирається або зношується, можна випустити додаткову ліску, злегка вдаривши ударну ручку об землю під час роботи з тримером (рис. V).

ПРИМІТКА. Випуск ліски стане складнішим, коли різуча ліска стане закороткою.

⚠ ПОПЕРЕДЖЕННЯ. Не видаляйте та не змінюйте різуче лезо в зборі. Надмірна довжина ліски призведе до перегріву мотора та може спричинити серйозні травми.

ЗАМІНА ЛІСКИ

ПРИМІТКА. Завжди використовуйте рекомендовану нейлонову різучу ліску з діаметром, що не перевищує 3,0 мм. Використання іншої ліски, відмінної від указаної, може спричинити перегрівання ліскового тримера або його пошкодження.

⚠ ПОПЕРЕДЖЕННЯ. Ніколи не використовуйте металеву ліску, дріт або канат тощо. Вони можуть зламатись і стати небезпечними снарядами.

1. Вийміть вилку шнура живлення з ліскового тримера.
2. Видаліть залишкову різучу ліску, якщо це необхідно.
3. Відріжте 8 м різучої ліски, вставте ліску в кріпильний отвір усередині вушка (рис. O1). Натисніть і витягніть ліску з іншої сторони, доки не з'явиться рівна кількість ліски з обох боків катушки.
4. Натискайте, обертаючи нижню кришку в зборі в напрямку стрілки, щоб намотати ліску на катушку, доки на кожній стороні не з'явиться приблизно 14 см ліски (рис. O2).
5. Натисніть на нижню кришку в зборі, тягнучи за ліску, щоб просувати ліску вручну, і перевірте, чи тримерну головку зібрано правильно.

Коли різуча ліска виривається з лінійного отвору або різуча ліска не випускається під час удару тримерної головки, виконайте такі дії:

1. Натисніть на фіксатори верхньої кришки та зніміть нижню кришку в зборі, витягнувши її (рис. K1 і K2).

2. Видаліть різучу ліску з катушки.
3. Тримайте однією рукою нижню кришку в зборі, іншою рукою візьміться за нижню кришку в зборі і сумістіть виступи на верхній кришці з отворами на нижній кришці в зборі (рис. O3). Натискайте долонею на нижню кришку в зборі, доки фіксатори не зафіксуються на верхній кришці.
4. Дотримуйтеся інструкцій у розділі «ЗАМІНА ЛІСКИ», щоб заправити різучу ліску.

ТЕХНІЧНЕ ОБСЛУГОВУВАННЯ

⚠ ПОПЕРЕДЖЕННЯ. Використовуйте для технічного обслуговування лише ідентичні запчастини. Регулярно оглядайте інструмент і виконуйте його обслуговування. Для гарантування безпеки та надійності всі ремонтні роботи повинен проводити кваліфікований технічний спеціаліст.

⚠ ПОПЕРЕДЖЕННЯ. Акумуляторні інструменти не потрібно підключати до електричної розетки; отже, вони завжди в робочому стані. Щоб запобігти серйозному травмуванню, вживайте додаткових заходів та будьте обережні під час технічного обслуговування або зміни різального обладнання чи інших пристосувань.

⚠ ПОПЕРЕДЖЕННЯ. Щоб запобігти серйозним травмам, від'єднайте роз'єм акумулятора від гнізда перед обслуговуванням, очищенням, заміною додаткових насадок або видаленням матеріалу з пристрою.

DIŞLİ KUTUSUNU YAĞLAYIN

En iyi çalışma ve daha uzun kullanım ömrü için dişli kutusunu her 50 saatlik çalışmadan sonra özel bir yağla yağlayın (her defasında 4-5g).

Özel yağ aşağıdaki gereksinimleri yerine getirmelidir.

1. DIN51818: NLGI-1 sınıfına ait konik penetrasyon derecesi.
2. Ester bazlı yağ.
3. Harika düşük sıcaklıkta başlatma, EP, mekanik kayma, aşınma dayanımı ve oksidatif stabilite özellikli.
4. Çalışma sıcaklığı -40~180°C olmalıdır. Akü fişini ve sızdırmazlık vidasını çıkarın. Fişli kutusunu yağ deliğinden yağlayın.

⚠ ПОПЕРЕДЖЕННЯ. Чалі кесисине акү таклыкен veya çalışırken yağlamayın.

ОЧИЩЕННЯ ПРИЛАДУ

- Очистьте прилад вологою ганчіркою з м'яким миючим засобом.

- Не використовуйте сильні миючі засоби на пластиковому корпусі або ручці. Вони можуть бути пошкоджені деякими ароматичними маслами, наприклад хвойним і лимонним, а також розчинниками, такими як гас. Вологість також може становити небезпеку удару. Обережно протріть вологу м'якою сухою тканиною.

ЗБЕРІГАННЯ ПРИЛАДУ

- Від'єднайте роз'єм акумулятора від гнізда, коли тример не використовується.
- Перед зберіганням інструмент необхідно ретельно очистити.
- Зберігайте пристрій у сухому, добре вентильованому, закритому або високо розташованому недоступному для дітей місці. Не зберігайте пристрій біля мінеральних добрив, бензину та інших хімікатів.
- Використовуйте транспортувальний чохол для металевих лез під час транспортування та зберігання.

Захист довкілля



Не викидайте електричне обладнання, акумулятор і зарядний пристрій у побутові відходи! Віднесіть цей виріб авторизованому переробнику й надайте його для роздільного збирання. Електроінструменти необхідно повернути в підприємство, що займається екологічно безпечною переробкою.

УСУНЕННЯ НЕСПРАВНОСТЕЙ

НЕСПРАВНІСТЬ	ПРИЧИНА	ВИРІШЕННЯ
Не вдається запустити.	<ul style="list-style-type: none"> ■ Акумуляторна батарея не приєднана до лісового тримера. ■ Немає електричного контакту між тримером і батареєю. ■ Акумуляторна батарея розряджена. 	<ul style="list-style-type: none"> ■ Під'єднайте акумулятор до лісового тримера. ■ Повторно вставте акумуляторну батарею із зазначеним зарядним пристроєм. ■ Зарядіть акумуляторну батарею.
Трава намоталася на головку тримера та корпус мотора.	<ul style="list-style-type: none"> ■ Щиток не встановлено на тример, у результаті чого ріжуча ліска надмірно довга і мотор перевантажено. ■ Використовується важка ріжуча ліска. ■ У валі мотора або головці тримера намоталася трава. ■ Мотор перевантажено. ■ Акумулятор або лісовий тример занадто гарячі. ■ Роз'єм акумулятора від'єднано від інструмента. ■ Акумуляторна батарея розряджена. 	<ul style="list-style-type: none"> ■ Від'єднайте роз'єм акумулятора від гнізда та встановіть щиток на тример. ■ Використовуйте рекомендовану нейлонову ріжучу ліску з діаметром не більше 3,0 мм. ■ Зупиніть тример, вийміть акумулятор і витягніть траву з вала та головки тримера. ■ Інструмент відновить роботу, коли навантаження буде усунуто. Для безперервної роботи зменште навантаження на інструмент. ■ Дайте акумуляторній батареї або тримеру охолонути, доки температура не опуститься нижче 67 °С. ■ Повторно підключіть роз'єм. ■ Зарядіть акумуляторну батарею.
<div style="background-color: black; color: white; padding: 2px; font-weight: bold; display: inline-block;">UK</div> <p>Ріжуча ліска не випускається.</p>	<ul style="list-style-type: none"> ■ У валі мотора або головці тримера намоталася трава. ■ У тримерній головці бракує ліски. ■ Тримерна головка брудна. ■ Ліска заплуталась у тримерній головці. ■ Ліска занадто коротка. 	<ul style="list-style-type: none"> ■ Зупиніть тример, вийміть акумулятор і витягніть траву з вала мотора та головки тримера. ■ Вийміть акумулятор і замініть ріжучу ліску; дотримуйтеся вказівок у розділі «ЗАМІНА ЛІСКИ» в цьому посібнику. ■ Remove the battery and clean the lower cover assembly, spool and upper cover. ■ Remove the battery, remove the line from the spool and rewind; follow the section "LINE REPLACEMENT" in this manual. ■ Remove the battery and pull the lines while alternately pressing down on and releasing the trimmer head.

НЕСПРАВНІСТЬ	ПРИЧИНА	ВИРІШЕННЯ
Трава намоталася на головку тримера та корпус мотора.	<ul style="list-style-type: none">Різання високої трави на рівні землі.	<ul style="list-style-type: none">Cut out the weeds into several sections from top to ground level.

ГАРАНТІЯ

ПРАВИЛА ГАРАНТІЇ EGO

Будь ласка, відвідайте веб-сайт egopowerplus.com для отримання повних умов гарантійної політики EGO.

ПРОЧЕТЕТЕ ВСИЧКИ ИНСТРУКЦИИ)



ПРОЧЕТЕТЕ РЪКОВОДСТВОТО НА ОПЕРАТОРА

⚠ ПРЕДУПРЕЖДЕНИЕ: Остатъчен риск! Хора с електронни устройства, като пейсмейкър трябва да се консултират с лекуващия(те) си лекар(и) преди употреба на този продукт. Работата с електрическо оборудване в непосредствена близост до сърдечен пейсмейкър може да предизвика смущение или неизправност на пейсмейкъра.



Сигнал за безопасност



Носете защита за очите - Винаги носете предпазни очила със странична защита и предпазен екран за цялото лице, когато работите с този продукт.



Носете защита за слуха - Винаги носете защита за слуха, когато работите с този продукт



Носете защита за главата - Носете одобрена предпазна каска с твърдо бомбе за да предпазите главата.



Не монтирайте кръгли режещи ножове.



Ширина - Максималната режеща ширина на кордов тример



Уверете се, че други хора и домашни любимци спазват поне 15 м разстояние от тримера, когато го използвате.



Гарантирано ниво на мощност на звука. Звуквите емисии към околната среда са в съответствие с директивите на европейската общност.



Отпадъчните електрически продукти не трябва да бъдат изхвърляни заедно с домакинския отпадък. Отнесете го до упълномощено място за рециклиране.

n_0

Скорост без натоварване-Скорост на въртене без товар



Постоянен ток

СИМВОЛИ ЗА БЕЗОПАСНОСТ

⚠ ПРЕДУПРЕЖДЕНИЕ: Експлоатацията на всички електрически инструменти, може да доведе до изхвърляне на чужди предмети към вашите очи, което може да доведе до сериозно нараняване на очите. Преди започване на работа с електрически инструмент, винаги носете предпазни очила със странична защита и визьор за цялото лице, когато е необходимо. Ние препоръчваме предпазна маска с широк визьор за употреба над очила или стандартни предпазни очила със странична защита.



За намаляване на опасността от нараняване, потребителят трябва да прочете ръководството на оператора.



Носете предпазни ръкавици - Носете нелъзгащи се ботуци за безопасност, когато използвате това оборудване.



Носете защитни ръкавици - Защитете ръцете си с ръкавици, когато боравите с ножа или предпазителя на ножа.



Пазете се от тласкане на ножа - Препредете оператора за опасност от тласкане на ножа.



Диаметър - Диаметър на найлонова режеща корда



Изхвърлените обекти могат да рикошират и да доведат до нараняване или щети по собствеността. Уверете се, че други хора и домашни любимци спазват достатъчно разстояние от хорстореза, когато го използвате.



Не използвайте в дъжд или не го оставяйте навън, когато вали.



Този продукт е в съответствие с приложимите директиви на ЕС.

V Напряжение

.../min на минута

kg Килограм

СПЕЦИФИКАЦИИ

Напрежение	56 V $\overline{\text{---}}$	
Скорост без натоварване	До 5800/мин	
Механизъм за рязане	Ударна глава	
Вид режеща корда	3,0 мм найлонова усукана корда	
Ширина на рязане	38 см	
Препоръчителна работна температура	0°C-40°C	
Препоръчителна температура на съхранение	-20°C-70°C	
Оптимална температура на зареждане	5°C-40°C	
Тегло (без акумулаторна батерия)	5,8 kg	
Измерено ниво на сила на звука L_{WA}	94,2 dB(A) K=1,8 dB(A)	
Ниво на звуково налягане при ухото на оператора L_{PA}	74,15 dB(A) K=2,5 dB(A)	
Гарантирано ниво на сила на звука L_{WA} (измерено съгласно 2000/14/EC)	96 dB(A)	
Оценка на вибрации a_{Hv} :	Предна спомагателна ръкохватка	3,2 m/s ² K=1,5 m/s ²
	Задна ръкохватка	2,3 m/s ² K=1,5 m/s ²

- Декларираният общ размер на вибрации е измерен в съответствие със стандартния метод за тест и може да бъде използван за сравнение между два инструмента;
- Декларираният общ размер на вибрации може също така да бъде използван за предварителна оценка на влиянието.
- **БЕЛЕЖКА:** Вибрационните емисии по време на действителната употреба на електрическия инструмент може да се различава от декларираната стойност. С цел да се защити оператора, потребителят трябва да носи ръкавици и антифони в действителни условия на работа.

ОПАКОВЪЧЕН ЛИСТ (Фиг. А1)

ОПИСАНИЕ

ЗАПОЗНАЙТЕ СЕ С ВАШИЯ КОРДОВ ТРИМЕР (Фиг. А1)

1. Контакт
2. Лост за отключване
3. Ограничителен пръстен
4. Затворена ръкохватка
5. Корда за тример
6. Предпазител комплект
7. Вал
8. Спусък
9. Задна ръкохватка
10. Тримерна глава (ударна глава)
11. Бутон за освобождаване
12. Режец нож за кордата
13. Предпазен бариерен прът (само за глава на хросторез)
14. Фиксиращ прът за предпазния бариерен прът (само за глава на хросторез)
15. Външен фланец (само за глава на хросторез)
16. Гайка (само за глава на хросторез)
17. Винт
18. Ключ за вътрешен шестостен

МОНТАЖ

⚠ ПРЕДУПРЕЖДЕНИЕ: Ако някои от частите са повредени или липсват, не работете с този продукт, докато частите не се подменят. Използването на този продукт с повредени или липсващи части може да доведе до сериозно лично нараняване.

⚠ ПРЕДУПРЕЖДЕНИЕ: ПРЕДУПРЕЖДЕНИЕ: Не се опитвайте да модифицирате този продукт или да създадете аксесоари, които не се препоръчват за употреба с този кордов тример. Всяка такава промяна или модификация е злоупотреба и може да доведе до опасни условия с последици от възможни сериозни наранявания.

⚠ ПРЕДУПРЕЖДЕНИЕ: За да предотвратите случайно стартиране, което може да причини сериозно винаги изваждайте конектора на акумулаторната батерия от контакта, когато сглобявате частите.

⚠ ПРЕДУПРЕЖДЕНИЕ: Когато инструментът е оборудван с глава на хросторез, предпазният бариерен прът трябва да бъде монтиран.

МОНТАЖ НА ПРЕДПАЗИТЕЛЯ

⚠ ПРЕДУПРЕЖДЕНИЕ: Винаги носете ръкавици, когато монтирате или подмените предпазителя. Пазете се от ножа на предпазителя и защитете вашата ръка от нарязване.

⚠ ПРЕДУПРЕЖДЕНИЕ: Никога не работете с инструмента без предпазителя да е здраво на мястото си. Предпазителят трябва винаги да е на инструмента, за да предпазва потребителя! Когато предпазителят е фиксиран, никога не се опитвайте да извадите или да регулирате предпазителя, ако е необходима подмяна, трябва да бъде извършена от квалифициран сервизен техник!

Разхлабете и извадете двата винта от предпазителя (Фиг. В), подравнете монтажните отвори на предпазителя с отворите за монтажния механизъм и след това захванете предпазителя в основата на шангата с двата винта, заедно с две пружинни шайби (Фиг. С).

⚠ ПРЕДУПРЕЖДЕНИЕ: Уверете се, че предпазителят е закрепен съгласно Фиг. В и С, всяко закрепване на обратно ще причини голяма опасност!

МОНТИРАНЕ И РЕГУЛИРАНЕ НА ЗАТВОРЕНАТА РЪКОХВАТКА

1. Спрете мотора и извадете конектора на акумулаторната батерия от контакта, ако е монтирана.
2. Разхлабете крилчатата гайка за да отделите регулируемата затворена ръкохватка (Фиг. D).

БЕЛЕЖКА: Инсталирайте възела на предпазния бариерен прът върху затворената ръкохватка с двата винта, когато инструментът е оборудван с глава на хросторез.

Фиг. D - за описание на части виж по-долу:

D-1	Затворена ръкохватка	D-4	Предпазен бариерен прът (само за глава на хросторез)
D-2	Затягащ блок	D-5	Фиксиращ прът
D-3	Крилчатата гайка		

BG

БЕЛЕЖКА: Има два вида фиксиращ прът, късият е за тримерна глава. Дългият е за глава на хросторез. Внимавайте да изберете правилния фиксиращ прът, когато използвате инструмента.

3. Натиснете затворената ръкохватка във вала от предната страна на ограничителния пръстен. Никога не я поставяйте между ограничителния пръстен и зоната на задната ръкохватка. (Фиг. E).

БЕЛЕЖКА: Регулирайте затворената ръкохватка между ограничителния пръстен и предупредителната табелка, когато инструментът е оборудван с глава на хросторез (Фиг. F).

4. Поставете затягащия блок в прореза на ръкохватката (Фиг. G).
5. Монтирайте заключването на пръта и затегнете предварително с крилчатата гайка. Уверете се, че затворената ръкохватка е нагоре и сочи към върха на задната ръкохватка (Фиг. H).
6. Регулирайте затворената ръкохватка между ограничителния и табелката, докато намерите удобната позиция, когато използвате като тример.
7. Застопорете лоста на фиксиращия прът (Фиг. I).

⚠ ПРЕДУПРЕЖДЕНИЕ: Никога не работете с инструмента без затворената ръкохватка да си е на мястото.

⚠ ПРЕДУПРЕЖДЕНИЕ: Закрепете затворената ръкохватка единствено между ограничителния пръстен и табелката.

СМЯНА НА ТРИМЕРНАТА ГЛАВА С НОЖА С 3 ЗЪБА

1. Извадете щепсела от кордовия тример.
2. Завъртете тримерната глава, за да подравните прореза във фланеца с отвора за закрепване на вала в предавателната кутия и вмъкнете стабилизатора в отвора (Фиг. J).
3. Завъртете главата на тримера по часовниковата стрелка, за да я снемете (Фиг. J).
4. Отстранете предпазния аксесоар като разхлабете трите винта с шайби (Фиг. K3).

БЕЛЕЖКА: За да се защитите срещу нараняване, трябва да носите ръкавици преди всяка работа с ножа с 3 зъба.

5. Монтирайте вътрешния фланец и капака на фланеца на местата им (Фиг. L1)
6. Монтирайте ножа на вала на мотора осигурявайки, че повърхността на ножа е изравнена с повърхността на издатината на външния фланец. Монтирайте външния фланец и гайката (Фиг. L2). Затегнете предварително гайката в посока **ОБРАТНО НА ЧАСОВНИКА** на ръка.
7. Поставете предавателната кутия върху твърда повърхност за опора. С едната си ръка хванете пръта на хростореза, а с другата си ръка хванете мултифункционалния гаечен ключ, за да затегнете гайката, като следвате стрелката за посоката маркирана върху външния фланец (Фиг. L3).

ЕКСПЛОАТАЦИЯ

▲ ПРЕДУПРЕЖДЕНИЕ: Не позволявайте рутината с този продукт да ви направи непредпазливи. Запомнете, че невнимание за малка част от секундата е достатъчна за да нанесете сериозно нараняване.

▲ ПРЕДУПРЕЖДЕНИЕ: Винаги носете защита за очите заедно със защита за слуха. Ако не го направите може да доведе до изхвърляне на предмети към очите ви и други възможни сериозни наранявания.

▲ ПРЕДУПРЕЖДЕНИЕ: Не използвайте други приставки или аксесоари, които не са препоръчани от производителя на този продукт. Употребата на приставки или аксесоари, които не са препоръчани, може да доведе до сериозно нараняване.

▲ ПРЕДУПРЕЖДЕНИЕ: За да предотвратите сериозно нараняване, извадете конектора на акумулаторната батерия от контакта преди обслужване, почистване, смяна на приставките или изваждане на материал от устройството.

Може да използвате този продукт за целите описани долу:

Подкастриане: използва се за да се премахне тревата и плевелите до стени, огради, дърветата и лежи.

Рязане: използва се за рязане на трева, която е трудно достъпна използвайки нормална косачка.

БЕЛЕЖКА: Инструментът трябва да бъде използван само за предназначенията цели. Всяка друга употреба, примерно подрязване на жив плет, се смята за случай на злоупотреба.

МОНТИРАНЕ/ИЗВАЖДАНЕ НА КАБЕЛА НА БАТЕРИЯТА

Използвайте само с акумулаторни батерии и зарядни устройства изброени на фиг. А2.

Заредете напълно преди първата употреба.

За да инсталирате кабела на акумулаторната батерия (Фиг. М)

Подравнете ▲ щепсела ▲ с кордовия тример. Въжкнете щепсела в машината, докато зеленото уплътнение напълно излезне в контакта.

За да извадите

Освободете кабела на батерията от монтажния канал и издърпайте щепсела от кордовия тример.

СТАРТИРАНЕ/СПИРАНЕ НА КОРДОВИЯ ТРИМЕР (Фиг. N)

За да стартирате

Натиснете лоста за отключване в позиция "ON" (ВКЛ.), избутайте заключващото езиче напред, след това натиснете превключвателния спусък. Спусъкът регулира безстепенно скоростта. Колкото повече издърпвате спусъка, толкова по-висока е скоростта.

N-1	Лост за отключване	N-3	Превключвателен спусък
N-2	Заключващо езиче		

За да спрете

Отпуснете превключвателния спусък и натиснете бутона за отключване обратно към позиция "OFF".

▲ ПРЕДУПРЕЖДЕНИЕ: Винаги изваждайте конектора на акумулаторната батерия от контакта по време на работни прекъсвания и след завършване на работата.

ИЗПОЛЗВАНЕ НА КОРДОВИЯ ТРИМЕР

▲ ПРЕДУПРЕЖДЕНИЕ: За да избегнете сериозно нараняване, носете предпазни очила по всяко време, когато работите с този уред. Носете маска за лицето или прахова маска при запрашени места.

Почистете зоната, която трябва да бъде подрязана преди всяка употреба. Почистете всички обекти, като камъни, счупени стъкла, пирони, кабели или въжета, които могат да бъдат изхвърлени или да се оплетат в приставката за рязане. Изчистете зоната от деца, околни хора или домашни любимци. Като минимум дръжте всички деца, околни хора и домашни любимци минимум на 15 м разстояние, въпреки това пак може да съществува риск за околните от изхвърлени обекти. Околните наблюдатели трябва да бъдат насърчени да носят защита за очите. Ако бъдете приближен от човек спрете незабавно мотора и приставката за рязане.

Преди всяка употреба проверявайте за повредени/износени части

Проверете ударната глава, предпазителя и затворената ръкохватка и подменете всички части, които са напукани, деформирани, изкривени или повредени по някакъв начин.

Режещият нож за кордата на ръба на предпазителя може да се изтъпи в течение на времето. Препоръчва се периодично да го заточвате с пила или да го подмените с нов нож.

След всяка употреба почистете тримера.

⚠ ВНИМАНИЕ: Запушвания на вентилационните отвори ще предотвратят навлизане на въздух във корпуса на мотора и ще доведат до прегряване или повреда на мотора.

- Използвайте единствено мек сапун и влажна кърпа за да почистите инструмента. Никога не позволявайте каквато и да е течност да навлезе вътре в инструмента, никога не потапяйте някоя част от инструмента във вода.
- По всяко време пазете вентилационните отвори в корпуса на мотора от отпадъци.

⚠ ПРЕДУПРЕЖДЕНИЕ: Никога не използвайте вода за почистване на тримера. Избягвайте употребата на разтворители, когато почиствате пластмасовите части. Повечето пластмаси са податливи на повреди от различни видове разтворители, предлагани в търговската мрежа. Използвайте чист плат, за премахване на мръсотия, прах, масло и т.н.

РЕГУЛИРАНЕ НА ДЪЛЖИНАТА НА РЕЖЕЩАТА КОРДА

Главата на тримера позволява на оператора да отпусне повече режеща корда без да спира мотора. Когато кордата стане разкъсана или износена, може да бъде отпусната допълнителна корда чрез леко потупване в земята на бутона на главата (Фиг. V).

БЕЛЕЖКА: Освобождаването на корда ще стане по трудно, когато кордата стане твърде къса.

⚠ ПРЕДУПРЕЖДЕНИЕ: Не премахвайте или променяйте устройството на режещия нож за кордата. Прекалената дължина на кордата ще причини прегряване на мотора и може да доведе до сериозно нараняване.

ПОДМЯНА НА КОРДАТА

БЕЛЕЖКА: Винаги използвайте препоръчителната найлонова режеща корда, с диаметър не надвишаващ 3,0 мм. Използване на корда различна от посочената може да причини прегряване или повреда на тримера.

⚠ ПРЕДУПРЕЖДЕНИЕ: Никога не използвайте метално подсилена корда, жица или въже и др. Те могат да се счупят и да станат опасни летящи предмети.

1. Извадете щепсела от кордовия тример.
2. Премахнете оставашата корда за рязане ако е необходимо.

3. Отрежете 8 м корда вкарайте кордата в монтажния отвор вътре в ухото (Фиг. O1). Избутайте и дръпнете кордата от другата страна, докато еднакво количество корда се появи от двете страни на макаратата.
4. Натиснете, докато въртите възела на долния капак по посока на стрелката, за да навиете кордата в макаратата, докато остане приблизително 14 см корда, показваща се от двете страни (Фиг. O2).
5. Бутнете надолу възела на долния капак, докато издърпвате кордата за да я придвижите ръчно напред и да проверите за правилно сглобяване на главата на тримера.

Когато кордата за рязане се откъсне от изхода за кордата или кордата за рязане не се освобождава, когато потупвате главата на тримера, следвайте долните стъпки:

1. Натиснете пластината за освобождаване на горния капак и снемете долния капак, като го издърпате право навън (Фиг. K1 и K2).
2. Извадете кордата за рязане от макаратата.
3. Като държите с една ръка възела на долния капак, използвайте другата ръка за да хванете възела на долния капак и подравнете пластините на горния капак с отворите във възела на долния капак (Фиг. O3); използвайте дланта си, за да притиснете възела на долния капак, докато пластините се фиксират в горния капак.
4. Следвайте инструкциите в "ПОДМЯНА НА КОРДАТА", за да презаредите режещата корда.

ПОДДРЪЖКА

⚠ ПРЕДУПРЕЖДЕНИЕ: Когато обслужвате, използвайте само идентични резервни части. Проверявайте и поддържайте машината редовно. За да осигурите безопасността и надеждността, всички поправки трябва да се извършват от квалифициран сервизен техник.

⚠ ПРЕДУПРЕЖДЕНИЕ: Инструментите с батерия не трябва да бъдат заклучени към електрически контакт, поради това те винаги са в работно състояние. За да предотвратите сериозно нараняване вземете допълнителни предпазни мерки и грижи, когато извършвате поддръжка, обслужване или при смяна на режещите или други приставки.

⚠ ПРЕДУПРЕЖДЕНИЕ: За да предотвратите сериозно нараняване, извадете конектора на акумулаторната батерия от контакта преди обслужване, почистване, смяна на приставки или изваждане на материал от устройството.

СМАЗВАНЕ НА КОРПУСА НА РЕДУКТОРА

За най-добра работа и по-дълъг живот смазвайте корпуса на редуктора със специална грес (по 4-5 грама всеки път) след всеки 50 часа работа.

Специалната грес трябва да отговаря на следните изисквания.

1. Да отговаря на стандарта DIN51818: NLGI-1 степен на проникване на конуса.
2. Грес на естерна основа.
3. Отлично стартиране при ниски температури, EP, механично срязване, устойчивост на абразия и стабилност на оксидиране.
4. Работната температура трябва да бъде $-40\sim 180^{\circ}\text{C}$. Отстранете щепсела на батерията и уплътняващия винт. Смажете корпуса на редуктора през отвора за смазване.

⚠ ПРЕДУПРЕЖДЕНИЕ: Не смазвайте, докато хросторезът е все още свързан с батерията или работи.

ПОЧИСТВАНЕ НА УРЕДА

- Почистете уреда използвайки влажна кърпа и мек почистващ препарат.
- Не използвайте силен почистващ препарат по пластмасата на корпуса или ръкохватката. Те могат да бъдат повредени от определени ароматни масла като бор и лимон и от разтворители като керосин. Влагата също може да причини токов удар. Избършете всякаква влага със суха мека кърпа.

СЪХРАНЯВАНЕ НА УРЕДА

- Извадете конектора на акумулаторната батерия от контакта на кордовия тример, когато не е в употреба.
- Почистете изцяло инструмента преди да го съхраните.
- Съхранете уреда в сухо място с добра вентилация, заключен или съхраняван на високо извън достъпа на деца. Не съхранявайте уреда в близост или върху тор, бензин или други химикали.
- Използвайте транспортен капак за металните остриета по време на транспортиране и съхранение.

Опазване на околната среда



Не изхвърляйте електрическо оборудване, използвана батерия или зарядно устройство в домакинския отпадък! Отнесете продукта до упълномощена фирма за рециклиране и го предоставете за разделно събиране. Електрическите инструменти трябва да бъдат връщани в съоръжения за рециклиране съвместими с околната среда.

ОТСТРАНЯВАНЕ НА НЕИЗПРАВНОСТИ

ПРОБЛЕМ	ПРИЧИНА	РЕШЕНИЕ
Отказ при стартиране	<ul style="list-style-type: none"> ■ Акумулаторната батерия не е прикрепена към кордовия тример. ■ Няма електрически контакт между тримера и батерията. ■ Акумулаторната батерия е изтощена. 	<ul style="list-style-type: none"> ■ Закрепете акумулаторната батерия към кордовия тример. ■ Поставете отново акумулаторната батерия в посоченото зарядно устройство. ■ Заредете акумулаторната батерия.
Тревата обгръща главата на тримера и корпуса на мотора	<ul style="list-style-type: none"> ■ Предпазителят не е монтиран на тримера, което води до прекалено дълга режеща корда и прегряване на мотора. ■ Използвана е тежка корда за рязане. ■ Валът на мотора и тримерната глава са обвити в трева. ■ Моторът е претоварен. ■ Акумулаторната батерия или кордовият тример са твърде горещи. ■ Конекторът на акумулаторната батерия е разединен от инструмента. ■ Акумулаторната батерия е изтощена. 	<ul style="list-style-type: none"> ■ Извадете конектора на акумулаторната батерия от контакта и монтирайте предпазителя на тримера. ■ Използвайте препоръчана найлонова режеща корда с диаметър не по-голям от 3,0 мм. ■ Спрете тримера, извадете батерията и извадете тревата от вала и тримерната глава. ■ Машината ще се възстанови, когато натоварването е отстранено. За да продължите работа, намалете натоварването на машината. ■ Позволете на акумулаторната батерия или тримера да се охлади, докато температурата спадне под 67°C. ■ Вкарайте конектора отново. ■ Заредете акумулаторната батерия.

ПРОБЛЕМ	ПРИЧИНА	РЕШЕНИЕ
Не удаётся вытянуть леску.	<ul style="list-style-type: none"> ■ Валът на мотора или тримерната глава са обвити в трева. ■ Няма достатъчно корда в тримерната глава. ■ Главата на тримера е замърсена. ■ Кордата е оплетена в тримерната глава. ■ Кордата е твърде къса.. 	<ul style="list-style-type: none"> ■ Спрете тримера, извадете батерията и извадете тревата от вала на мотора и тримерната глава. ■ Отстранете батерията и подменете кордата за рязане, следвайте раздел "ПОДМЯНА НА КОРДАТА" в това ръководство. ■ Отстранете батерията и почистете възела на долния капак, макарата и горния капак. ■ Извадете акумулатора, извадете кордата от макарата и я навийте, следвайте раздел "СМЯНА НА КОРДАТА" в това ръководство. ■ Извадете батерията и издърпайте кордите, като последователно натиснете и освободите главата на тримера.
Trava se omotava oko glave šišača trave i kućišta motora	<ul style="list-style-type: none"> ■ Рязане на висока трева при нивото на земята. 	<ul style="list-style-type: none"> ■ Отрежете плевелите на няколко части отгоре до нивото на земята.

ГАРАНЦИЯ

ГАРАНЦИОННА ПОЛИТИКА EGO

Моля посетете уебсайта egopowerplus.com за пълните условия по гаранционната политика на EGO.

PROČITAJTE UPUTE U CIJELOSTI!



PROČITAJTE PRIRUČNIK ZA RUKOVATELJE.

⚠ UPOZORENJE: Preostale opasnosti! Osobe s elektroničkim uređajima poput srčanih elektrostimulatora prije uporabe ovog proizvoda trebaju se posavjetovati sa svojim liječnikom. Rad električne opreme u neposrednoj blizini srčanih elektrostimulatora može prouzročiti smetnju ili kvar srčanog elektrostimulatora



Sigurnosno upozorenje



Nosite zaštitu za oči. - uvijek nosite zatvorene zaštitne naočale ili zaštitne naočale s bočnim štitnicima i štitičnik za cijelo lice kada rukujete ovim proizvodom.



Nosite zaštitu za sluh. - nosite zaštitu za sluh kada koristite ovaj proizvod.



Nosite zaštitu za glavu. - radi zaštite glave nosite odobrenu sigurnosnu kacigu.



Ne postavljajte okrugle rezne noževe.



Širina - maksimalna širina rezanja šišača trave s reznom niti



Pobrinite se da druge osobe i kućni ljubimci ostanu najmanje 15 m udaljeni od šišača trave s reznom niti kada je u uporabi.



Zajamčena razina zvučne snage. Emisija buke u okruženju u skladu je sa smjericama Europske unije.



Otpadni električni proizvodi ne smiju se odlagati s otpadom iz kućanstva. Odnosite ih u ovlašteni centar za reciklažu.

HR

n_0

Brzina bez opterećenja-Brzina vrtnje u praznom hodu



Istosmjerna struja

SIGURNOSNI SIMBOLI

⚠ UPOZORENJE: Rukovanje električnim alatima može rezultirati odbacivanjem stranih predmeta u oči što opet može izazvati teška oštećenja očiju. Prije početka rukovanja električnim alatom nosite zatvorene zaštitne naočale ili zaštitne naočale s bočnim štitnicima, a prema potrebi i štitičnik za cijelo lice. Preporučujemo nošenje sigurnosne maske proizvođača Wide Vision preko naočala, ili nošenje standardnih zaštitnih naočala s bočnim štitnicima.



Pročitajte priručnik za rukovatelje radi smanjenja opasnosti od ozljeda.



Nosite sigurnosnu obuću. - nosite neklizajuću sigurnosnu obuću kada koristite ovu opremu.



Nosite zaštitne rukavice. - zaštitite ruke rukavicama kada rukujete nožem ili štitičnikom noža.



Čuvajte se povratnog udara noža. - upozorite rukovatelja na opasnost od povratnog udara noža.



Promjer - promjer najlonske rezne niti



Odbačeni predmeti mogu odskočiti i rezultirati tjelesnim ozljedama ili materijalnom štetom. Pobrinite se da druge osobe i kućni ljubimci ostanu podalje od obrezivača grmlja kada je u uporabi.



Proizvod ne upotrebljavajte na kiši i ne ostavljajte ga na otvorenom kad pada kiša.



Ovaj proizvod je u skladu s primjenjivim smjericama EU.

V Napon

.../min U minuti

kg Kilogram

TEHNIČKI PODACI

Napon	56 V ---	
Brzina bez opterećenja	do 5800 o/min	
Rezni mehanizam	Rezna glava	
Tip rezne niti	Najlonska rezna nit 3,0 mm	
Širina reza	38 cm	
Preporučena radna temperatura	0 °C - 40 °C	
Preporučena temperatura skladištenja	-20 °C - 70 °C	
Optimalna temperatura punjenja	5°C - 40 °C	
Težina (bez baterijskog modula)	5,8 kg	
Izmjerena razina zvučne snage L_{WA}	94,2 dB(A) K=1,8 dB(A)	
Razina zvučnog tlaka kod uha rukovatelja L_{PA}	74,15 dB(A) K=2,5 dB(A)	
Zajamčena razina zvučne snage L_{WA} (izmjeren u skladu s 2000/14/EZ)	96 dB(A)	
Procjena vibracija a_h	Prednji pomoćni rukohvat	3,2 m/s ² K=1,5 m/s ²
	Stražnja drška	2,3 m/s ² K=1,5 m/s ²

- Deklarirane ukupne vrijednosti vibracija izmjerene su u skladu sa standardnom metodom ispitivanja i mogu se koristiti za usporedbu jednog alata s drugim.
- Deklarirane ukupne vrijednosti vibracija mogu se koristiti u preliminarnoj procjeni izloženosti.

NAPOMENA: emisija vibracija tijekom aktualnog korištenja električnog alata može se razlikovati od deklarirane vrijednosti u kojoj se alat koristi; Radi zaštite rukovatelja korisnik treba nositi rukavice i štitnike za uši u aktualnim uvjetima korištenja.

POPIS ZA PAKIRANJE (SI. A1)

OPIS

UPOZNAJTE VAŠ ŠIŠAČ S REZKOM NITI (SI. A1)

- Podnožje
- Ručica za otključavanje
- Granični prsten
- Pomoćna ručka
- Rezna nit
- Sklop štitnika
- Vratilo
- Okidač
- Stražnja drška
- Glava šišača trave (rezna glava)
- Jezičac za oslobađanje
- Oštrica za rezanje rezne niti
- Sigurnosna granična šipka (samo za glavu obrezaivača grmlja)
- Poluga za zaključavanje sigurnosne granične šipke (samo za glavu obrezaivača grmlja)
- Vanjska pribirbnica (samo za glavu obrezaivača grmlja)
- Matica (samo za glavu obrezaivača grmlja)
- Vijak
- Imbus kluč

MONTAŽA

⚠ UPOZORENJE: Ako je bilo koji dio oštećen ili nedostaje, nemojte koristiti proizvod dok se ne zamijene dijelovi. Upotreba proizvoda na kojemu nedostaju dijelovi ili su oni oštećeni, možete dovesti do ozbiljne tjelesne ozljede.

⚠ UPOZORENJE: Ne pokušavajte obavljati preinake na ovom proizvodu ili izrađivati pribor koji nije preporučen za uporabu s ovim šišačem s reznom niti. Sve takve izmjene ili preinake predstavljaju nepropisnu uporabu i mogu rezultirati opasnim stanjima koja mogu dovesti do mogućih teških tjelesnih ozljeda.

⚠ UPOZORENJE: Da biste spriječili slučajni pokretanje koje bi moglo prouzročiti ozbiljne tjelesne ozljede, prilikom montaže dijelova iskopčajte utikač iz utičnice.

⚠ UPOZORENJE: Kada se na alatu nalazi glava obrezaivača grmlja, mora biti postavljena sigurnosna granična šipka.

POSTAVLJANJE ŠITNIKA

⚠ UPOZORENJE: Pri postavljanju ili zamjeni štitnika nosite rukavice. Pazite da se ne porežete na nož te zaštitite ruke od ozljeda.

⚠ UPOZORENJE Alat ne koristite bez dobro pričvršćenog štitnika. Štitnik mora biti na alatu radi zaštite korisnika! Kada je štitnik učvršćen, ne pokušavajte ukloniti ili namjestiti štitnik. Ako ga je potrebno zamijeniti, neka to obavi kvalificirani serviser! Otpustite i uklonite dva vijka sa štitnika (sl. B), poravnajte rupe na štitniku s montažnim rupama i zatim štitnik pričvrstite na podnožju vratila s dva vijka i dvije elastične podloške (sl. C).

⚠ UPOZORENJE: Uvjerite se da je štitnik pričvršćen u skladu sa slikama B i C jer će obrnuto pričvršćivanje izazvati veliku opasnost!

POSTAVLJANJE I PODEŠAVANJE PREDNJEG RUKOHVATA

1. Zaustavite motor i iskopčajte priključak baterije iz utičnice, ako je priključen.
2. Otpustite krilnu maticu kako biste razdvojili podesivu pomoćnu ručku (slika D).

OBAVIJEST: Kada se na alatu nalazi glava obrezivača grmlja, pomoću dva vijka postavite sklop sigurnosne granične šipke na pomoćnu ručku.

Opis dijelova na Sl. D pogledajte u nastavku:

D-1	Pomoćna ručka	D-4	Sigurnosna granična šipka (samo za glavu obrezivača grmlja)
D-2	Stezni blok	D-5	Štap za fiksiranje
D-3	Krilna matica		

OBAVIJEST: Postoje dvije vrste štapa za fiksiranje, kraći se koristi za glavu šišača. Duži se koristi za glavu obrezivača grmlja. Pažljivo odaberite odgovarajući štap za fiksiranje pri korištenju alata.

3. Gurnite pomoćnu ručku na prednju stranu graničnog prstena na vratilo. Nemojte ju postavljati između graničnog prstena i područja stražnjeg rukohvata. (Sl. E).

OBAVIJEST: Kada se na alatu nalazi glava obrezivača grmlja, podesite položaj pomoćne ručke između graničnog prstena i oznake upozorenja (Sl. F).

4. Ubacite stezni blok u utor za dršku(Sl. D).
5. Montirajte štap za fiksiranje i stegnite ga krilnom maticom. Pazite da prednji rukohvat bude gore i okrenut prema gornjem dijelu stražnje drške (Sl. H).
6. Po želji podesite položaj pomoćne ručke između graničnog prstena i oznake upozorenja.
7. Fiksirajte polugu na štapu za fiksiranje (Sl. I).

⚠ UPOZORENJE: Alat ne upotrebljavajte bez dobro pričvršćenog prednjeg rukohvata.

⚠ UPOZORENJE: Prednji pomoćni rukohvat učvrstite samo između graničnog prstena i naljepnice.

ZAMJENA GLAVE ŠIŠAČA S NOŽEM S 3 ZUBA

1. Uklonite električni utikač sa šišača s niti.
2. Glavu šišača s niti okrenite tako da poravnate utor na prirubnici s rupom za fiksiranje vratila u kućištu prijenosnika i umetnite stabilizator u rupu (sl. J).

3. Okrenite glavu šišača udesno za njezino skidanje (sl. J).
4. Uklonite štitnik otpuštanjem tri vijka s podloškom (sl. K3).

OBAVIJEST: Da biste se zaštitili od ozljeda, morate nositi rukavice prilikom bilo kakvih rukovanja s nožem s 3 zuba.

5. Montirajte unutarnju prirubnicu i poklopac prirubnice na odgovarajuća mjesta (Sl. L1).
6. Montirajte nož na vratilo motora vodeći računa da površina noža bude u ravnini s površinom izbočenja unutarnje prirubnice. Montirajte vanjsku prirubnicu i maticu (sl. L2). Maticu prije toga stegnite rukom ULIJEVO.
7. Postavite kućište prijenosnika na čvrstu površinu radi oslonca. Jednom rukom držite vratilo obrezivača grmlja, a drugom rukom uhvatite višenamjenski ključ za zatezanje matice, slijedeći smjer strelice na vanjskoj prirubnici (sl. L3).

RAD

⚠ UPOZORENJE! Nemojte dopustiti da zbog dobrog poznavanja ovog proizvoda postanete nepažljivi. Zapamtite da je jedna sekunda nepažnje dovoljna za ozbiljnu ozljedu.

⚠ UPOZORENJE! Uvijek nosite zaštitu za oči i sluh. Nepostupanje u skladu s tim može rezultirati odbacivanjem predmeta u oči i drugim mogućim teškim ozljedama.

⚠ UPOZORENJE! Nemojte koristiti nikakve priključke ili pribor koje nije preporučio proizvođača ovog proizvoda. Uporaba priključaka ili pribora koji nije preporučen može dovesti do ozbiljnih tjelesnih ozljeda.

⚠ UPOZORENJE: Radi sprečavanja teških tjelesnih ozljeda, prije servisiranja, čišćenja, promjene priključaka ili uklanjanja materijala iz jedinice, iskopčajte priključak baterije iz utičnice.

Ovaj proizvod možete koristiti za svrhe navedene u nastavku:

Šišanje: koristi se za uklanjanje trave i korova oko zidova, ograda, stabala i pregrada.

Košnja: koristi se za košnja trave koju je teško dohvatiti pomoću normalne kosilice.

OBAVIJEST: alat se smije koristiti samo za prethodno opisanu namjenu. Svaka druga uporaba, kao što je primjerice rubno šišanje, smatra se nepropisnom uporabom.

SPAJANJE/ODSPAJANJE BATERIJSKOG KABELA

Upotrebjavajte samo s baterijskim modulima i punjačima koji su navedeni na sl. A2.

U potpunosti napunite prije prve uporabe.

Ugradnja kabela baterije (sl. M)

Poravnajte utikača ▲ s na šišaču ▲ s reznom niti. Umetnite utikač u stroj tako da se zelena brtva ne vidi u utičnici.

Uklanjanje

Oslobodite kabel akumulatora iz žlijeba za montiranje i izvucite utikač iz šišača s reznom niti.

POKRETANJE/ZAUSTAVLJANJE ŠIŠAČA S NITI (sl. N)

Pokretanje

Postavite ručicu za otključavanje u položaj „UKLJUČENO“, gurnite jezičak za zaključavanje prema naprijed i zatim pritisnite okidačku sklopku. Okidač kontinuirano podešava brzinu. Što više pritisnete okidač, to će brzina biti veća.

N-1	Ručica za otključavanje	N-3	Okidačka sklopka
N-2	Jezičak za zaključavanje		

Zaustavljanje

Otpustite okidačku sklopku i postavite gumb za otključavanje natrag u položaj „ISKLJUČENO“.

⚠ UPOZORENJE: Za vrijeme prekida i nakon završetka rada iskopčajte priključak baterije iz utičnice.

UPORABA ŠIŠAČA S REZONOM NITI

⚠ UPOZORENJE: Kako biste izbjegli ozbiljne tjelesne ozljede, u svakom trenutku tijekom rada s ovim uređajem nosite zaštitne naočale ili sigurnosne naočale. U prašnjavim područjima nosite zaštitnu masku za lice ili masku za zaštitu od prašine.

Prije svake uporabe očistite radno područje. Uklonite sve predmete poput kamenja, razbijenog stakla, čavala, žica ili niti koje stroj može odbaciti ili koji se mogu zaplesti u rezni priključak. Iz područja udaljite djecu, promatrače i kućne ljubimce. Promatrače i kućne ljubimce udaljite najmanje 15 m; čak i tada postoji opasnost od odbačenih predmeta za promatrače. Promatrače je treba potaknuti da nose zaštitu za oči. Ako vam netko prilazi, odmah zaustavite motor i rezni priključak.

Prije svake uporabe provjerite da nema oštećenih/istrošenih dijelova

Provjerite glavu za udaranje, štitnik i prednji rukohvat i zamijenite dijelove koji su napukli, deformirani, svinuti ili oštećeni na bilo koji način.

Nož za rezanje rezne niti na rubu štitnika vremenom može otpući. Preporučujemo povremeno oštrenje noža turpijom ili zamjenu noža novim.

Šišač s reznom niti očistite nakon svake uporabe.

⚠ OPREZ: Prepreke u ventilacijskim otvorima sprječavaju da zrak struji u kućište motora što uzrokuje pregrijavanje ili oštećenje motora.

- Za čišćenje alata koristite samo blagi sapun i vlažnu krpu. Nemojte dopustiti da tekućina uđe u alat; Ne uranjajte nijedan dio alata u tekućinu.
- Održavajte ventilacijske otvore kućišta motora u svakom trenutku bez nečistoća.

⚠ UPOZORENJE: Za čišćenje šišača ne koristite vodu. Pri čišćenju plastičnih dijelova izbjegavajte koristiti otapala. Većina plastike podložna je oštećenju različitih vrsta komercijalnih otapala. Za uklanjanje nečistoće, prašine, ulja, masti i sl. koristite čiste krpe.

PODEŠAVANJE DULJINE REZNE NITI

Glava šišača trave rukovatelju omogućuje otpuštanje više rezne niti bez zaustavljanja motora. Ako se rezna žinja stanji ili istroši, laganim doticanjem glave šišača trave o tlo tijekom rukovanja šišačem moguće je otpustiti više žinje (sl. V).

NAPOMENA: Otpuštanje žinje teže je kako se rezna žinja skraćuje.

⚠ UPOZORENJE! Ne uklanjajte sklop rezne oštrice niti ili ne obavljajte preinake na njemu. Prekomjerna duljina niti prouzročit će pregrijavanje motora što može rezultirati teškim tjelesnim ozljedama.

ZAMJENA REZNE NITI

OBAVIJEST: Upotrebjavajte preporučenu najlonsku reznu nit promjera ne većeg od 3,0 mm. Upotreba rezne niti drukčije od navedene može prouzročiti pregrijavanje ili oštećenje šišača trave.

⚠ UPOZORENJE: Ne upotrebjavajte metalom ojačane niti, žicu ili užu i sl. jer mogu se odlomiti i postati opasni projektili.

1. Uklonite električni utikač sa šišača s niti.
2. Ako je potrebno, uklonite preostalu reznu nit.
3. Odrežite reznu nit na duljinu 8 m, uložite reznu nit u montažnu rupu u ušici (sl. O1). Gurajte i vucite reznu nit s druge strane dok rezna nit ne bude jednake duljine s obje strane koluta.

4. Pritisnite dok sklop donjeg poklopcu okrećete u smjeru strelice kako biste reznu nit namotali na kolut tako da sa svake strane ostane oko 14 cm rezne niti (sl. O2).
5. Gurnite sklop donjeg poklopcu prema dolje uz povlačenje rezne niti kako biste je ručno pomaknuli prema naprijed i provjerili ispravnost ugradnje glave šišača.
3. Svojtva su odlično pokretanje pri niskoj temperaturi, EP mehaničko smicanje, otpornost na rezanje i oksidacijska stabilnost.
4. Radna temperatura mora biti u rasponu -40~180 °C. Uklonite utikač akumulatora i vijak za brtvljenje. Podmazivanje kućišta reduktora kroz otvor za ulje.

Ako se rezna nit otkida od izlaza niti ili ako se rezna nit ne oslobađa lupkanjem glavom šišača, učinite sljedeće:

1. Pritisnite jezičce za oslobađanje na gornjem poklopcu i uklonite sklop donjeg poklopcu povlačeći ga ravno van (sl. K1 i K2).
2. Uklonite reznu nit iz koluta.
3. Jednom rukom držite sklop donjeg poklopcu, drugom rukom uzмите sklop donjeg poklopcu i poravnajte jezičce na gornjem poklopcu s rupama u sklopu donjeg poklopcu (sl. O3); dlanom pritisćite sklop donjeg poklopcu dok jezičci ne ulegnu u gornji poklopac.
4. Za ponovno namotavanje rezne niti slijedite upute u poglavlju "ZAMJENA REZNE NITI".

ODRŽAVANJE

⚠ UPOZORENJE: Pri servisiranju koristite samo identične zamjenske dijelove. Redovito obavljajte pregled i održavanje stroja. Radi sigurnosti i pouzdanosti sve popravke treba obavljati kvalificirani servisni tehničar.

⚠ UPOZORENJE: Baterijske alate nije potrebno uključivati u električnu utičnicu, stoga su u radnom stanju. Da biste spriječili ozbiljne tjelesne ozljede, poduzmite dodatne mjere opreza i brige prilikom održavanja, servisiranja ili mijenjanja priključaka za rezanje ili drugih priključaka.

⚠ UPOZORENJE: Radi prevencije teških tjelesnih ozljeda, prije servisiranja, čišćenja, promjene priključaka ili uklanjanja materijala iz uređaja baterijski modul izvadite iz jedinice.

PODMAZIVANJE KUĆIŠTA REDUKTORA

Najbolji rad i duži radni vijek osigurat ćete ako kućište reduktora podmazete posebnom mašću (oko svaki put s 4-5 g) nakon 50 sati rada.

Posebna mast mora zadovoljavati sljedeće uvjete.

1. Pripada uz DIN51818: NLGI-1 stupanj koničnog prodiranja.
2. Mast na bazi estera.

⚠ UPOZORENJE! Nemojte vršiti podmazivanje dok je rezač žbunja još povezan s akumulatorom ili dok je u radu.

ČIŠĆENJE UREĐAJA

- Jedinicu očistite vlažnom krpom i blagim deterdžentom.
- Za čišćenje plastičnog kućišta ili rukohvata ne koristite jake deterdžente jer mogu ih oštetiti neka aromatična ulja, kao što su borovo i limunovo ulje i otapala kao što je kerozin. Vлага može izazvati opasnost od strujnog udara. Vlažna mjesta obrišite mekanom suhom krpom.

SKLADIŠTENJE JEDINICE

- Ako ga ne koristite, iskopčajte priključak baterije iz šišača s reznom niti.
- Prije skladištenja temeljito očistite alat.
- Jedinicu skladištite na suhom, dobro prozračenom mjestu koje je moguće zaključati ili koje je na visini izvan dohvata djece. Uređaj nemojte pohranjivati na gnojivima, benzinu ili drugim kemikalijama ili u njihovoj blizini.
- Koristite pokrov za metalne noževe tijekom prevoženja i skladištenja.

Zaštita okoliša



Električnu opremu, iskorištenu bateriju i punjač ne odlažite u otpad iz kućanstva! Ovaj proizvod odnesite u ovlaštenu centar za reciklažu i time omogućite odvojeno sakupljanje. Električne alate potrebno je vratiti u ekološki prihvatljiv pogon za reciklažu.

OTKLANJANJE POGREŠKI

PROBLEM	UZROK	RJEŠENJE
Ne može se pokrenuti	<ul style="list-style-type: none"> ■ Baterijski modul nije pričvršćen na šišač s reznom niti. ■ Nema električnog kontakta između šišača i baterije. ■ Baterijski modul je ispražnjen. 	<ul style="list-style-type: none"> ■ Pričvrstite baterijski modul na šišač s reznom niti. ■ Baterijski modul punite u posebnom punjaču. ■ Napunite baterijski modul.
Устройство прекратило работу.	<ul style="list-style-type: none"> ■ Štitnik nije postavljen na šišač trave, što rezultira predugačkom reznom niti i preopterećenjem motora. ■ Koristi se teška rezna nit. ■ Vratilo motora ili glavu šišača trave blokira trava. ■ Motor je preopterećen. ■ Baterijski modul ili šišač trave s reznom niti previše je vruć. ■ Priključak baterijskog modula je odvojen od alata. ■ Baterijski modul je ispražnjen. 	<ul style="list-style-type: none"> ■ Iskopčajte priključak baterije iz utičnice i postavite štitnik na šišač. ■ Koristite preporučenu najlonsku reznu nit promjera ne većeg od 3,0 mm. ■ Zaustavite rad šišača trave, izvadite bateriju i očistite travu s vratila i glave šišača trave. ■ Stroj će se povratiti po uklanjanju opterećenja. Za kontinuirani rad smanjite opterećenje stroja. ■ Pričekajte da se baterijski modul ili šišač ohladi na temperaturu ispod 67 °C. ■ Ponovno ukopčajte priključak. ■ Napunite baterijski modul.
Не удаётся вытянуть леску.	<ul style="list-style-type: none"> ■ Na vratilo motora ili glavu šišača namotala se trava. ■ U glavi šišača trave nema dovoljno rezne niti. ■ Glava šišača trave je zaprljana. ■ Rezna nit zapetjerala se u glavi šišača trave ■ Rezna nit je prekratka. 	<ul style="list-style-type: none"> ■ Zaustavite rad šišača trave, izvadite bateriju i očistite travu s vratila motora i glave šišača trave. ■ Izvadite bateriju i zamijenite reznu nit; slijedite upute u poglavlju "ZAMJENA REZNE NITI" u ovom priručniku. ■ Izvadite bateriju i očistite sklop donjeg poklopca, držač koluta i gornji poklopac. ■ Izvadite bateriju, uklonite reznu nit iz koluta i ponovno je namotajte; slijedite upute u poglavlju "ZAMJENA REZNE NITI" u ovom priručniku. ■ Uklonite bateriju i povucite rezne niti dok izmjenično pritišćete i otpuštate glavu šišača trave.
Trava se omotava oko glave šišača trave i kućišta motora	<ul style="list-style-type: none"> ■ Visoka trava reže se od razine tla. 	<ul style="list-style-type: none"> ■ Korov režite u dijelovima, od vrha prema korijenu.



JAMSTVO

JAMSTVENA POLITIKA PROIZVOĐAČA EGO

Za cjelokupne uvjete jamstvene politike proizvođača EGO posjetite internetsku stranicu egopowerplus.com.

სრულად გაეცანით ინსტრუქციას!



გაეცანით მომხმარებლის ინსტრუქციას

⚠ გაფრთხილება: არსებული რისკი! პიროვნებებმა ისეთი ელექტრული მოწყობილობებით, როგორცაა იმპლანტირებული დეფიბრილატორი, უნდა მიმართონ პირად ექიმს რჩევისთვის ამ პროდუქტის გამოყენებამდე. იმპლანტირებულ დეფიბრილატორთან უშუალო სიახლოვეს ელექტრული მოწყობილობის ოპერირებამ შესაძლოა დეფიბრილატორს ხელი შეუშალოს მუშაობაში ან გათიშოს იგი.



უსაფრთხოების ნიშანი



გაიკეთეთ თვალების დამცავი - ყოველთვის მიირჩეთ უსაფრთხოების თვალსაფარი ან გვერდითა ეკრანების მქონე უსაფრთხოების სათვალე და მთლიანი სახის ეკრანი ხელსაწყოთა სარგებლობისას.



გაიკეთეთ ყურების დამცავი - ყოველთვის გაიკეთეთ ყურების დამცავი ხელსაწყოთი სარგებლობისას



გაიკეთეთ თავის დამცავი საშუალება - გამოიყენეთ აპრობირებული მყარი ჩაფხუტი, რათა დაიცვათ თავის არე.



არ დაუყენოთ მრგვალი ფორმის საჭრელი დანები.



სიგანე - ელექტრული სათიბის მაქსიმალური თიბვის სიგანე



დარწმუნდით რომ სხვა ადამიანები ან შინაური ცხოველები იმყოფებიან მინიმუმ 15 მ მოშორებით ელექტრო მთიბავით სარგებლობისას.



გარანტირებული ხმის სიმძლავრის დონე. გარემოში ხმაურის გავრცელების დონე ევროკავშირის რეგულაციების შესატყვისია.

უსაფრთხოების წესის სიმბოლოები

⚠ გაფრთხილება: ელექტრული ხელსაწყოთა გამოყენებისას შესაძლოა უცხო სხეულის თვალების მიდამოში მოხვედრა, რამაც შესაძლოა გამოიწვიოს თვალის მნიშვნელოვანი დაზიანება. ელექტრული ხელსაწყოთა გამოყენებამდე აუცილებლად მიირჩეთ უსაფრთხოების თვალსაფარი ან სათვალე მყარი თვალის დამცავებით და მთლიანი სახის ეკრანით. ჩვენ რეკომენდაციას ვუწვევთ ფართო ხედვის არის მქონე უსაფრთხოების ნიღაბს სათვალეებთან ერთად ან სტანდარტულ გვერდითა ეკრანების მქონე უსაფრთხოების სათვალეებს.



დაზიანების რისკის შესამცირებლად მომხმარებელმა უნდა წაიკითხოს ხელსაწყოთა მუშაობის ინსტრუქცია.



ჩაიცვით უსაფრთხოების დამცავი ფეხსაცმელი - ჩაიცვით მოცურების საწინააღმდეგო ფეხსაცმელი ხელსაწყოთა გამოყენებისას.



ჩაიცვით დამცავი ხელთათმანები - დაიცვით თქვენი ხელები ხელთათმანებით, როდესაც უხეზობ დანას ან დანის დამცავ ეკრანს.



მოერიდეთ დანის ზიბძეს - გააფრთხილეთ მომხმარებელი დანის ზიბძის საფრთხის შესახებ.



დიამეტრი - მთიბავი ნეილონის მუის დიამეტრი



შესაძლოა გამოტორცილო სხეულები რიკოშეტით და ამით პირადი ან ქონებრივი ზიანის მიყენება.



დარწმუნდით რომ სხვა ადამიანები ან შინაური ცხოველები იმყოფებიან ბუჩქის საკრეჭიდან მოშორებით ხელსაწყოთი სარგებლობისას.



არ გამოიყენოთ წვიმაში ან დატოვით გარეთ წვიმის დროს.



ხელსაწყო შეესაბამება ევროკავშირის მიერ წამოყენებულ რეგულაციებს.

KA



ელექტრული ხელსაწყოების უტილიზაცია არ უნდა მოხდეს საყოფაცხოვრებო ნარჩენებთან ერთად. წაიღეთ ხელსაწყო ავტორიზებულ ნარჩენების გადამამუშავებელთან.

n_0 დაუტვირთავი სიჩქარე-
დაუტვირთავი ბრუნვის სიჩქარე
მუდმივი დენი

V ძაბვა

.../min წუთში

kg კილოგრამი

ტესტირების მეთოდით და შესაძლოა გამოყენებულ იქნას ერთი ხელსაწყოს მეორესთან შედარებისას.

- მითითებული ვიზრაციის სრული მნიშვნელობა ასევე შესაძლოა გამოყენებულ იქნას ზემოქმედების პირველადი შეფასებისას.

შენიშვნა: ელექტრული ხელსაწყოს ვიზრაციის ემისია გამოყენებისას შესაძლოა განსხვავდებოდეს მითითებული ოდენობისგან; მომხმარებელმა ხელსაწყოთი სარგებლობისას საჭიროა გამოიყენოს ხელათამაშები და ყურის დამცავი საშუალებები.

შეფუთვის ჩამონათვალი (ნახ. A1)

აღწერა

შეისწავლეთ თქვენი ელექტრო სათიბი (ნახ. A1)

- ფოსო
- ჩამკეტი ბერკეტი
- გასამიჯნი რგოლი
- ჩარჩოსებრი სახელური
- საჭრელი ძუა
- დამცავი ეკრანის კომპლექტი
- ტარი
- ტრივერი
- უკანა სახელური
- სათიბის თავაკი
- გამშვები ლილაკი
- ძუის საჭრელი დანა

სპეციფიკაციები

ძაბვა	56 ვოლტი ---	
დაუტვირთავი ბრუნვის სიჩქარე	5800 ბრ/წთ-მდე	
მთიბავი მექანიზმი	მთიბავის თავაკი	
მთიბავი ძუის ტიპი	3.0 მმ სისქის ნილონის დაგრებილი ძუა	
თიბვის სიგანე	38 სმ	
რეკომენდირებული საექსპლუატაციო ტემპერატურა:	0°C-40°C	
რეკომენდირებული დასაწყობების ტემპერატურა:	-20°C-70°C	
ოპტიმალური დამუხტვის ტემპერატურა	5°C-40°C	
წონა (აკუმულატორის გარეშე)	5.8 კგ	
გაზომილი ხმის სიმძლავრის დონე L_{WA}	94.2 dB(A) K=1.8 dB(A)	
ბგერის წნევის დონე მომხმარებლის ყურზე L_{PA}	74.15 dB(A) K=2.5 dB(A)	
გარანტირებული ხმის სიმძლავრის დონე L_{WA} (გაზომილი 2000/14/EC რეგულაციის მიხედვით)	96 dB(A)	
ვიზრაციის შეფასება a_n :	რეგულ- ირება- დი წ-ინა სახე- ლური	3.2 /წმ ² K=1.5 /წმ ²
	უკანა სახელური	2.3 /წმ ² K=1.5 /წმ ²

- მითითებული ვიზრაციის სრული მნიშვნელობა გაზომილია სტანდარტული

KA

13. უსაფრთხოების ბარიერის ძელი (მხოლოდ ბუჩქის საკრეჭის თავაკისთვის)
14. უსაფრთხოების ბარიერის ძელის ჩამკეტი (მხოლოდ ბუჩქის საკრეჭის თავაკისთვის)
15. გარეთა შვერილი (მხოლოდ ბუჩქის საკრეჭის თავაკისთვის)
16. ქანჩი (მხოლოდ ბუჩქის საკრეჭის თავაკისთვის)
17. ხრახნი
18. ექვსწახნაგა შლიცის გასაღები

ანწყობა

▲ გაფრთხილება: თუ რომელიმე ნაწილი დაზიანებულია ან დაკარგულია, არ ისარგებლოთ ხელსაწყოთი სანამ ყველა ნაწილი არ შეიცვლება. ხელსაწყოთი სარგებლობას დაზიანებული ან დანაკლისი ნაწილებით შესაძლოა მოჰყვეს სერიოზული პირადი ზიანი.

▲ გაფრთხილება: არ სცადოთ ხელსაწყოს გადაკეთება ან ისეთი ნაწილების გამოყენება, რომლებიც არაა რეკომენდირებული ამ ელექტრო სათიბისთვის. ნებისმიერი მსგავსი ცვლილება ან მოდიფიკაცია არის ხელსაწყოს არასათანადო გამოყენება და შესაძლოა წარმოქმნას სახიფათო მდგომარეობა, რომელმაც შესაძლოა გამოიწვიოს სერიოზული პირადი ზიანი.

▲ გაფრთხილება: უცაბედი ჩართვის გამოსარიცხად, რომელმაც შესაძლოა გამოიწვიოს სერიოზული პერსონალური ზიანი, ყოველთვის ამორთეთ აკუმულატორის კონექტორი ბუდიდან როდესაც ხდება ხელსაწყოს აწყობა.

▲ გაფრთხილება: როდესაც ხელსაწყოზე დამონტაჟებულია ბუჩქის საკრეჭის თავაკი, მას უნდა მიემარგოს უსაფრთხოების ბარიერის ძელი.

დამცავი ეკრანის დამონტაჟება

▲ გაფრთხილება: ყოველთვის გამოიყენეთ ხელთათმანები, როდესაც ამონტაჟებთ ან ცვლით დამცავ ეკრანს. ფრთხილად

მოეპყარით დანას ეკრანზე და დაიცავით ხელი გაჭრისგან.

▲ გაფრთხილება: არ გამოიყენოთ ხელსაწყო მჭიდროდ დამაგრებული დამცავი ეკრანის გარეშე. დამცავი ეკრანი ყოველთვის უნდა იყოს დამაგრებული ხელსაწყოზე, რათა დაიცვას მომხმარებელი! არ შეეცადოთ მოხსნათ ან შეასწოროთ დამცავი ეკრანის პოზიცია, თუ საჭიროა მისი შეცვლა, მიმართეთ კვალიფიციურ სერვისის ტექნიკოსს! მოუშვით და მოხსენით ორი ხრახნი დამცავ ეკრანს (ნახ. B).

გაუსწოროთ დამცავ ეკრანზე არსებული ხვრელები ასაწყობ ხვრელებს და დამაგრეთ ეკრანი ტარის ფუძეზე ორი ხრახნითა და შუასადებით (ნახ. C).

▲ გაფრთხილება: დარწმუნდით რომ დამცავი ეკრანი დამაგრებულია, როგორც ნაჩვენებია ნახ. B და C-ზე. ნებისმიერი სხვაგვარი დამაგრება არის სახიფათო!

ჩარჩოსებრი სახელურის დამაგრება და გასწორება

1. გააჩერეთ მოტორი და ამორთეთ აკუმულატორის კონექტორი ბუდიდან, თუ ის შერთებულია.
2. მოუშვით ფრთიანი ქანჩი რათა განაცალკევოთ ჩარჩოსებრი სახელური (ნახ. D).

შენიშვნა: დაამონტაჟეთ უსაფრთხოების ბარიერის ძელის კომპლექტი ჩარჩოსებრი სახელურზე ორი ხრახნით როდესაც ხელსაწყოზე მორგებულია ბუჩქის საკრეჭი თავაკი.

ნახ. D ნაჩვენებ ნაწილების აღწერა მოცემულია ქვევით:

D-1	ჩარჩოსებრი სახელური	D-4	უსაფრთხოების ბარიერის ძელი (მხოლოდ ბუჩქის საკრეჭის თავაკისთვის)
D-2	დამჭერი ბლოკი	D-5	ჩამკეტი
D-3	ფრთიანი ქანჩი		

შენიშვნა: კომპლექტში ორი ჩამკეტია, შედარებით მოკლე სათიბი თავაკისთვისაა განკუთვნილი. შედარებით გრძელი ჩამკეტი ბუჩქის საკრეჭის თავაკისთვისაა. გამოიჩინეთ ყურადღება ძელისთვის სწორი ჩამკეტის ამორჩევას.

3. ჩასვით ჩარჩოსებრი სახელური ტარზე გასამიჯნი რგოლის წინ. არასოდეს მოათავსოთ ის გასამიჯნი რგოლსა და უკანა სახელურს შორის არსებულ სივრცეში (ნახ. E).

შენიშვნა: გასწორეთ ჩარჩოსებრი სახელურის მდებარეობა გასამიჯნი რგოლსა და გამაფრთხილებელ ეტიკეტს შორის, როდესაც ხელსაწყოზე დამონტაჟებულია ბუჩქის საკრეჭი თავაკი (ნახ. F).

4. ჩასვით დამჭერი ბლოკი სახელურის ნასვრეტში (ნახ. G).

5. დაამაგრეთ ჩამკეტი ძელი და დაუჭირეთ ფრთიანი ქანჩის საშუალებით. დარწმუნდით რომ ჩარჩოსებრი სახელური არის მოტრიალებული ზედა მხარეს და დამიზნებულია უკანა სახელურის ზევითა ნაწილისკენ (ნახ. H).

6. გასწორეთ ჩარჩოსებრი სახელურის მდებარეობა გასამიჯნი რგოლსა და გამაფრთხილებელ ეტიკეტს შორის, სანამ არ იპოვით ხელსაწყოს გამოყენებისთვის საჭირო კომფორტულ პოზიციას. .

7. დაამაგრეთ ჩამკეტი ძელის ბერკეტი (ნახ. I).

⚠ გაფრთხილება: არ გამოიყენოთ ხელსაწყო მჭიდროდ დამაგრებული ჩარჩოსებრი სახელურის გარეშე.

⚠ გაფრთხილება: ჩარჩოსებრი სახელური დაამაგრეთ მხოლოდ ეტიკეტსა და გასამიჯნი რგოლს შორის.

სათიბი თავაკის შეყვლა 3-კბილანიანი დანით

1. ამორთეთ კვების ჩანგალი ელექტრო სათიბიდან.

2. დაატრიალეთ სათიბის თავი ისე, რომ გაუსწოროთ შვერილზე არსებული ნასვრეტი ტარის ჩამკეტ ხვრელს გადაცემათა კოლოფში და ჩასვით სტაბილიზატორი ნახვრეტში (ნახ. J).

3. მოატრიალეთ სათიბი თავაკი საათის ისრის მიმართულებით რათა მოხსნათ იგი (ნახ. J).

4. მოხსენით დამცავი ეკრანის დამატება სამი ხრახნისა და შუასადების მოხსნით (ნახ. K3).

შენიშვნა: ფიზიკური ზიანისგან თავის დასაცავად 3-კბილანიანი დანის გამოყენებამდე აუცილებლად ჩაიცვით დამცავი ხელთათმანები.

5. ჩაამაგრეთ შიდა შვერილი და შვერილის საფარი თავის ადგილას (ნახ. L1).

6. დაამონტაჟეთ დანა მოტორის ლილვზე, დარწმუნდით რომ დანის ზედაპირი უსწორდება შიდა შვერილის გამოწვეულ ზედაპირს. დაამონტაჟეთ გარეთა შვერილი და ქანჩი (ნახ. L2). ხელით წინასწარ დაუჭირეთ ქანჩი საათის ისრის საწინააღმდეგეთ მიმართულებით.

7. მოათავსეთ გადაცემათა კოლოფი მყარ საყრდენ ზედაპირზე. ერთი ხელით დაიჭირეთ ბუჩქის საკრეჭის ტარი და მეორეთი - მრავალფუნქციური ქანჩის გასადები, დაუჭირეთ ქანჩს ნახაზზე გარეთა შვერილზე მითითებული ისრის მიმართულებით (ნახ. L3).

გამოყენება

⚠ გაფრთხილება: შეეცადეთ მსგავსი პროდუქტის გამოყენების გამოცილებამ არ გამოიწვიოს თქვენი უფლისყურობა. დაიმასოვრეთ რომ უფლისყურობამ წამის მეთაღმდეგ კი შესაძლოა მოგიტანოთ სერიოზული ზიანი.

⚠ გაფრთხილება: ყოველთვის მოირგეთ გვერდითა ეკრანების მქონე უსაფრთხოების სათვალე და სმენის დამცავი საშუალება. ამ ინსტრუქციის უგულვებლყოფამ შესაძლოა გამოიწვიოს სხვადასხვა სხეულის თვალში მოხვედრა და სხვა შესაძლო სერიოზული ზიანი.

▲ გაფრთხილება: არ გამოიყენოთ სხვა ნებისმიერი ნაწილი, რომელიც არაა რეკომენდირებული ამ ხელსაწყოს მწარმოებლის მიერ. არარეკომენდირებული ნაწილის გამოყენებამ შესაძლოა მოგაყენოთ სერიოზული ზიანი.

▲ გაფრთხილება: სერიოზული პერსონალური ზიანისგან თავის არიდების მიზნით ამორთეთ აკუმულატორის კონექტორი ბუდიდან ხელსაწყოს ტექნიკური სერვისის, გაწმენდის, მიმაგრების შეცვლის ან ნარჩენი ნივთიერების მოცილების დროს.

თქვენ შეგიძლიათ გამოიყენოთ ხელსაწყო ქვემოთ ჩამოთვლილი მიზნებისთვის:

გაკრეჭა: გამოიყენება ბალახის და სარეველას მოსაცილებლად კედლის, ღობის, ხის და საზღვრების გასწვრივ.

მოთიბვა: გამოიყენება ისეთი ბალახის მოსათიბად, რომელიც რთულადაა მისადგომი ჩვეულებრივი სათიბი მანქანისთვის.

შენიშვნა: ხელსაწყოს გამოყენება შესაძლებელია მხოლოდ დანიშნულებისამებრ. სხვა ნებისმიერი სარგებლობა, მაგალითად ბუჩქის გაკრეჭა, ჩაითვლება როგორც არამიზნობრივი გამოყენების შემთხვევა.

აკუმულატორის სადენის ჩამაგრება/მოხსნა

გამოიყენეთ მხოლოდ ის აკუმულატორის ბლოკები და დამტენები, რომლებიც მითითებულია სურ. A2-ში

სრულად დატენით პირველ ჯერზე სარგებლობამდე.

აკუმულატორის სადენის შესაერთებლად (ნახ. M)

გაუსწორეთ ჩანგლის ნიშანი ▲ ელექტრო სათიბის ნიშანს ▲ . შეაერთეთ კვების ჩანგალი ხელსაწყოში, სანამ მწვანე ფერის მაჩვენებელი მთლიანად არ ჩაჯდება ბუდეში.

მოსახსნელად

მოსხენით აკუმულატორის სადენი სამაგრირიდან და გამოიწიეთ კვების ჩანგალი ელექტრო სათიბიდან.

ელექტრო სათიბის ჩართვა/გამორთვა (ნახ. N)

ჩასართავად

გადაიყვანეთ ჩამკეტი ბერკეტი პოზიციამი “ON”, წინ გადაწიეთ ჩამკეტი ენაკი, ხოლო შემდეგ კი დააწეეთ ჩამრთველ ღილაკს. ჩამრთველი ღილაკი უსაფეხურა და განკუთვნილია სიჩქარის დარეგულირებისთვის. რაც მეტად დააწევით ღილაკს, მეტად სწრაფად იმუშავებს ხელსაწყო.

N-1	ჩამკეტი ბერკეტი	N-3	ჩამრთველი ტრიგერი
N-2	ჩამკეტი ენაკი		

გამოსართველად

გაუშვით ჩამრთველ ტრიგერს და გადაიყვანეთ ჩამკეტი ღილაკი უკან პოზიციამი “OFF”.

▲ გაფრთხილება: ყოველთვის ამორთეთ აკუმულატორის ჩანგალი ხელსაწყოს ბუდიდან შესვენებისას ან სამუშაოს დამთავრებისთანავე.

ელექტრო სათიბის გამოყენების წესი

▲ გაფრთხილება: სერიოზული პერსონალური ზიანისგან თავის არიდების მიზნით ყოველთვის მოირგეთ უსაფრთხოების თვალსაფარი ან სათვალე ხელსაწყოთი სარგებლობისას. გამოიყენეთ სახის ნიღაბი ან მტკერის საწინააღმდეგო ნიღაბი მტკერთან ადგილას მუშაობისას.

გასაუფთავებთ სამუშაო არე მუშაობის დაწყებამდე. მოაცილეთ ყველა ობიექტი როგორცაა ქვები, დამტვრეული მინა, ლურსმანი, სადენი ან ბაწარი, რომელიც შესაძლოა ჩაყვას ან დაეხვიოს ხელსაწყოს მთიბავ ნაწილს. მორიდეთ სამუშაო ადგილს ბავშვები, სხვა პირები და შინაური ცხოველები. დარწმუნდით რომ ბავშვები, სხვა ადამიანები ან შინაური ცხოველები იმყოფებიან მინიმუმ 15 მ მოშორებით; არსებობს რისკი რომ უცხო სხეულები მაღალი სიჩქარით გვერდზე მდგომი პირებისკენ გაიტყორცნონ. გვერდზე მდგარი პირებისთვის რეკომენდირებულია თვალის დამცავი საშუალებების გამოყენება. თუ თქვენ სხვა პიროვნება მოგიახლოვდათ, დაუყოვნებლივ გააჩერეთ მოტორი და სათიბი მოწყობილობა.

ყოველი გამოყენების წინ შეამოწმეთ ნაწილები დაზიანებაზე/ცვეთაზე

შეამოწმეთ სათიბის თავაკი, დამცავი ეკრანი და ჩარჩოსებრი სახელური, შეცვალეთ ნაწილები, რომლებიც გაბზარულია, გაღუნულია, აქვს შეცვლილი ფორმა ან დაზიანებულია სხვაგვარად.

დამცავ ეკრანის კიდესთან მდებარე მთიბავის დანა შესაძლოა დაჩლუნგდეს დროთა განმავლობაში რეკომენდირებულია მისი გალესვა პერიოდულად ქლიბის საშუალებით ან ახალი დანის დამონტაჟებამ.

ყოველი გამოყენების შემდეგ გასაუფთავეთ სათიბი.

⚠ ყურადღება: საჰაერობის დახშობა ხელს უშლის ჰაერის შედინებას მოტორში და გამოიწვევს მის გადახურებას და დაზიანებას.

- გამოიყენეთ მხოლოდ რბილი საპონი და ნოტიო ქსოვილი ხელსაწყოს გასაწმენდად. არასდროს დაუშვით ხელსაწყოში სითხის შეღწევა; არასდროს მოათავსოთ ხელსაწყოს რაიმე ნაწილი სითხეში.
- ყოველთვის გაათავისუფლეთ მოტორის საჰაეროები ნარჩენებისგან.

⚠ გაფრთხილება: არასდროს გამოიყენოთ წყალი თქვენი ხელსაწყოს გასაწმენდად. მოერიდეთ გამხსნელების გამოყენებას ხელსაწყოს პლასტმასის ნაწილების გაწმენდისას. უმეტესობა პლასტმასები ზიანდება მათზე გამხსნელების გამოყენების შედეგად. გამოიყენეთ სუფთა ტილო ტალახის, მტერის, ზეთის, ცხიმის და სხვ. მოსაცილებლად.

სათიბი ძუის სიგრძის ცვლილება

სათიბის თავაკი აძლევს მომხმარებელს საშუალებას გაზარდოს სათიბის ძუის სიგრძე მოტორის გაუჩერებლად. როდესაც ძუა იცვითება და წყდება, დამატებითი ძუის სიგრძის გამოშვება შესაძლებელია სათიბის თავაკის მიწაზე რბილი დარტყმით ხელსაწყოთი სარგებლობისას.

შენიშვნა: ძუის გამოშვება უფრო გართულდება, თუ მისი სიგრძე კოჭაზე ძალიან დამოკლდება.

⚠ გაფრთხილება: არ მოხსნათ ან შეცვალოთ ძუის საჭრელი დანის კონსტრუქცია. საჭრელი ძუის დიდი სიგრძე გამოიწვევს მოტორის გადახურებას, რამაც შესაძლოა მოგაყენოთ სერიოზული ზიანი.

ძუის გამოცვლა

შენიშვნა: ყოველთვის გამოიყენეთ რეკომენდირებული ნეილონის სათიბი ძუა, რომლის დიამეტრი არ აღემატება 3.0 მმ-ს. სხვა ტიპის ძუის გამოყენებამ შესაძლოა გამოიწვიოს სათიბის გადახურება და დაზიანება.

⚠ გაფრთხილება: არასოდეს გამოიყენოთ მავთული, სხვა მეტალის ჩანართიანი ზონარი ან თოკი და სხვ. ესენი შესაძლოა გაწყდეს და წარმოქმნას სახიფათო გამოტყორცნილი სხეულები.

1. ამორთეთ კვების ჩანგალი ელექტრო სათიბიდან.
2. მოხსენით დარჩენილი ძუა საჭიროების შემთხვევაში.

3. მოჭერით 8 მ სიგრძის სათიბი ძუა და ჩასვით იგი ხვრელში არსებულ სამაგრ სიღრუეში (ნახ. O1). შეიყვანეთ და ამოქაჩეთ ძუა მეორე მხრიდან, სანამ კოჭის ორივე მხარეს თანაბარი რაოდენობის ძუა არ გამოჩნდება.
4. დააჭირეთ და დაატრიალეთ ქვედა ხუფი ისრის მიმართულებით, რათა დაახვიოთ ძუა კოჭაზე სანამ დაახლოებით 14 სმ სიგრძის ძუა არ გამოჩნდება ორივე მხარეს (ნახ. O2).
5. დააჭირეთ ქვედა ხუფს დაბლა ძუაზე მოქაჩვისას, რათა მანუალურად გამოწიოთ ძუა და შეამოწმოთ სათიბის თავაკის ჯეროვანი აწყობა.

როდესაც მჭერი ძუა წყდება და სათიბის თავაკზე დაჭერით ძუა არ გამოდის, მიყევით შემდეგ ინსტრუქციებს:

1. დააჭირეთ კოჭის ფუძეზე არსებულ გამშვებ დილაკებს და მოხსენით ქვედა ხუფი ამოქაჩვით (ნახ. K1 და K2).
2. მოხსენით ძუა კოჭას.
3. ერთი ხელით დაიჭირეთ ზედა ხუფი, ხოლო მეორეთი - ქვედა ხუფი და გაუსწორეთ ზედა ხუფზე არსებული გამშვები დილაკები ქვედა ხუფზე არსებულ ნასვრეტებს (ნახ. O3); დააჭირეთ ხელისგულით ქვედა ხუფს სანამ დილაკები არ ჩაჯდება ზედა ხუფში.
4. მიყევით ინსტრუქციებს სექციაში „ძუის გამოცვლა“, რათა ხელახლა დაახვიოთ ძუა.

ექსპლუატაცია

▲ ფაგრთხილება: ტექნიკური სერვისისას გამოიყენეთ მხოლოდ იდენტური სათადარიგო ნაწილები. გაუკეთეთ ხელსაწყოს რეგულარული შემოწმება და ინსპექტირება. ხელსაწყოს უსაფრთხოდ და გამართულად მუშაობისთვის საჭიროა მისი ყველა შეკეთება და ნაწილის შეცვლა შესრულდეს კვალიფიციური სერვისის ტექნიკოსის მიერ.

▲ ფაგრთხილება: აკუმულატორიანი ელექტრული ხელსაწყობების ქსელში შეერთება არ არის აუცილებელი; ისინი ყოველთვის მუშა მდგომარეობაში არიან. სერიოზული პერსონალური ზიანისგან თავის არიდების მიზნით მიიღეთ დამატებითი ზომები და გამოიჩინეთ სიფრთხილე შეკეთებისას, სერვისის ან სათიბი და სხვა ნაწილების შეცვლისას.

▲ ფაგრთხილება: სერიოზული პერსონალური ზიანისგან თავის არიდების მიზნით ამორთეთ აკუმულატორი ხელსაყვადან ტექნიკური სერვისის, გაწმენდის, მისამაგრებელი ნაწილების შეცვლის ან ნარჩენი ნივთიერების მოცილების დროს.

გადაცემათა კოლოფის შენევის წესი

ხელსაწყოს ოპტიმალური მუშაობისთვის და ხანგრძლივი მოხმარებისთვის შეზეთეთ გადაცემათა კოლოფი სპეციალური საპოხით (4-5 გ ყოველ ჯერზე) ყოველი 50 საათიანი ექსპლუატაციის პერიოდის შემდეგ.

სპეციალური საპოხი უნდა აკმაყოფილებდეს შემდეგ მოთხოვნებს:

1. მიეკუთვნებოდეს DIN51818 ტიპს: კონქუსის შკალაზე NLGI-1 სირბილის.
2. სინთეტიკური ეთერის ცხიმი.
3. შესანიშნავი საპოხი დაბალტემპერატურული ჩართვისთვის, მაღალი წნევის პირობებისთვის, მექანიკური ცვეთისა და გახების საწინააღმდეგო და ოქსიდაციის სტაბილიზაციის თვისებებით.
4. ტემპერატურის მუშა რეჟიმი უნდა მოიცავდეს -40°C ინტერვალს. მოხსენით აკუმულატორის კვების ჩანგალი და დამლუქავი ხრახნი. შეზეთეთ გადაცემათა კოლოფი სპეციალურად განკუთვნილი ხვრელის საშუალებით.

▲ ფაგრთხილება: არ შეზეთოთ ხელსაწყო როდესაც ბუჩქის საკრეკი შეერთებულია აკუმულატორთან ან იგი მუშა რეჟიმშია.

ხელსაწყოს განმეიდის წესი

- გაწმინდეთ ხელსაწყო ნოტიო ქსოვილით და რბილი სარეცხი საშუალებით.
- არ გამოიყენოთ ძლიერი გამწმენდი საშუალებები პლასტმასის ბუდეზე ან სახელურზე. ისინი შესაძლოა დაზიანდეს ისეთი არომატიზატორებით, როგორცაა ნაძვის ან ლიმნის ზეთი, ან ნავთის ტიპის გამხსნელი საშუალებებით. სინესტემ ასევე შეიძლება შექმნას ელექტრული შოკის საფრთხე. რბილი, მშრალი ქსოვილით მოწმინდეთ ხელსაწყოს ნებისმიერი ნესტი,

ხელსაწყოს შენახვის წესი

- ამორთეთ აკუმულატორის ჩანგალი ელექტრო სათიბის ბუდიდან ხელსაწყოს გამოყენების შემდეგ.
- საფუძვლიანად გაწმინდეთ ხელსაწყო შენახვამდე.
- შეინახეთ ხელსაწყო მშრალ, კარგად განიავებად ადგილას ჩაკეტილ და მაღალ სათავსოში, ბავშვებისთვის მიუწვდომელ ადგილას. არ შეინახოთ ხელსაწყო სასუქის, ბენზინის და სხვა ქიმიური ნივთიერებების სიახლოვეს.
- ხელსაწყოს ტრანსპორტირების დროს გამოიყენეთ ლითონის დანების საფარი.

გარემოს დაცვა



არ მოახდინოთ ელექტრული მოწყობილობის, დამტენის და აკუმულატორის / მისი ბატარეების მოთავსება საყოფაცხოვრებო ნაგავში! მიუტანეთ ისინი ავტორიზირებულ ნარჩენების გადამამუშავებელს და მოახდინეთ ასეთი ნარჩენის განცალკევებულად შეგროვება. ელექტრული ხელსაწყოები უნდა ჩაბარდეს ნარჩენების გადამამუშავებელ ორგანოს გარემოს დაცვის ნორმების გათვალისწინებით.

გაუმართაობის

პრობლემა	მიზეზი	გადაჭრის გზა
ხელსაწყო არ ჩაირთო	<ul style="list-style-type: none"> ▪ აკუმულატორი არ არის შეერთებული სათიბზე. ▪ სათიბსა და აკუმულატორს შორის არ არის ელექტრული კონტაქტი. ▪ აკუმულატორი დაცლილია. 	<ul style="list-style-type: none"> ▪ დაამაგრეთ აკუმულატორი სათიბ ხელსაწყოზე. ▪ ხელახლა მიუერთეთ აკუმულატორი მწარმოებლის მიერ მითითებული დამტენი მოწყობილობით. ▪ დატენეთ აკუმულატორი.
გაჩერდა მუშაობის პროცესში	<ul style="list-style-type: none"> ▪ დამცავი ეკრანი არაა დამონტაჟებული სათიბზე, რის გამოც სათიბი ძუა არის უზომოდ გრძელი და მოტორი იტვირთება. ▪ მძიმე სათიბი ძუა არის გამოყენებული. ▪ მოტორის ტარი ან სათიბის თავი ზალახშია გახლართული. ▪ მოტორი არის გადატვირთული. ▪ აკუმულატორი ან სათიბი ზედმეტად გაცხელებულია. ▪ აკუმულატორის ჩანგალი ამორთულია ხელსაწყოს ბუდიდან. ▪ აკუმულატორი დაცლილია. 	<ul style="list-style-type: none"> ▪ ამორთეთ აკუმულატორის ჩანგალი ხელსაწყოს ბუდიდან და დაამონტაჟეთ დამცავი ეკრანი სათიბზე. ▪ გამოიყენეთ სტანდარტული ნეილონის სათიბი ძუა, არაუმეტეს 3.0 მმ დიამეტრის სისქით, ▪ გამორთეთ სათიბი, მოხსენით აკუმულატორი, მოაცილეთ ზალახი ლილვს და სათიბის თავაკს. ▪ ხელსაწყო განახლებს მუშაობას როდესაც დატვირთვა მოიხსნება. განუწყვეტლივი მუშაობისას შეამცირეთ ხელსაწყოზე დატვირთვა. ▪ აცალეთ სათიბს ან აკუმულატორს გაგრილება 67°C-ის ქვევით. ▪ ხელახლა ჩასვით აკუმულატორის ჩანგალი. ▪ დატენეთ აკუმულატორი.

პრობლემა	მიზეზი	გადაჭრის გზა
არ ხდება სათიბის ძუის გამოშვება.	<ul style="list-style-type: none"> ■ მოტორის ტარი ან სათიბის თავი ბალახშია გახლართული. ■ სათიბ თავაკში არასაკმარისი რაოდენობის ძუა არის დარჩენილი. ■ სათიბის თავაკი ჭუჭყიანია. ■ ძუა გახლართულია სათიბ თავაკში. ■ ძუა საკმარისზე მოკლეა. 	<ul style="list-style-type: none"> ■ გამორთეთ სათიბი, მოხსენით აკუმულატორი, მოაცილეთ ბალახი მოტორის სახელურს და სათიბის თავაკს. ■ მოხსენით აკუმულატორი და შეცვალეთ სათიბი ძუა; მიჰყევით ინსტრუქციაში მოცემულ სექციას „ძუის გამოცვლა“. ■ მოხსენით აკუმულატორი და გაწმინდეთ კოჭა, ქვედა და ზედა ხუფები. ■ მოხსენით აკუმულატორი, გაშალეთ და ხელახლა დაახვიეთ სათიბი ძუა; მიჰყევით ინსტრუქციაში მოცემულ სექციას „ძუის გამოცვლა“. ■ მოხსენით აკუმულატორი და მოქაჩეთ ძუის წვერებზე, თან შიგადაშიგ დააწექით და აუშვით ხელი სათიბის თავაკს.
ბალახი ეხვევა სათიბის თავაკს და მოტორის ბუდეს	<ul style="list-style-type: none"> ■ მაღალი ბალახის ჭრა ძირში. 	<ul style="list-style-type: none"> ■ მოჭერით სარეველები რამდენიმე სექციად წვერიდან ფესვებამდე.

გარანტია

EGO-ს გარანტიის მომსახურების წესი

გთხოვთ ეწვიოთ ვებ-გვერდს egopowerplus.com, რათა მიიღოთ EGO-ს საგარანტიო მომსახურების სრული დადგენილებები და პირობები.

PROČITAJTE SVA UPUTSTVA!



PROČITAJTE PRIRUČNIK ZA RUKOVAOČA

⚠ UPOZORENJE: Reziidualni rizik! Osobe sa elektronskim uređajima, poput pejsmejкера, treba da konsultuju svog lekara (svoje lekare) pre upotrebe ovog proizvoda. Rukovanje električnom opremom u neposrednoj blizini srčanog pejsmejкера moglo bi da izazove smetnje ili otkazivanje pejsmejкера.



Sigurnosno upozorenje



Nosite zaštitu za oči - uvek nosite sigurnosne naočare sa bočnim štitnicima i masku za celo lice kad rukujete ovim proizvodom.



Nosite zaštitu za uši - uvek nosite zaštitu za uši kad rukujete ovim proizvodom.



Nosite zaštitu za glavu - nosite odobreni sigurnosni šlem da biste zaštitili glavu.



Ne instalirajte okrugle noževe za sečenje.



Širina - maksimalna širina sečenja trimera sa strunom



Osigurajte da drugi ljudi i kućni ljubimci budu udaljeni najmanje 15 m od trimera kada je u upotrebi.



Garantovan nivo jačine zvuka. Emisija buke u okruženju prema Direktivi Evropske zajednice.



Otpadne električne proizvode ne bi trebalo odlagati zajedno sa otpadom iz domaćinstva. Odnosite ih u ovlašćeni pogon za reciklažu.

n_0

Brzina bez opterećenja-Rotaciona brzina, bez opterećenja



Jednosmerna struja

SIGURNOSNI SIMBOLI

⚠ UPOZORENJE: Rukovanje svakim električnim alatom može da dovede do izbacivanja stranih tela ka očima, što može da dovede do ozbiljnog oštećenja očiju. Pre započinjanja rada sa električnim alatom, uvek stavite sigurnosne naočare sa bočnim štitnicima ili po potrebi masku za celo lice. Preporučujemo sigurnosnu masku Wide Vision za upotrebu preko naočara ili standardnih sigurnosnih naočara sa bočnim štitnicima.



Da bi smanjio rizik od povreda, korisnik mora pročitati priručnik za rukovaoca.



Nosite sigurnosnu obuću - nosite sigurnosnu obuću koja se ne klizje kad koristite ovu opremu.



Nosite zaštitne rukavice - zaštitite ruke rukavicama kada rukujete nožem ili štitnikom noža.



Čuvajte se odbijanja noža - upozorite rukovaoca na opasnosti od odbijanja noža.



Prečnik - prečnik najlonске strune za sečenje



Izbaceni predmeti se mogu odbiti i izazvati telesnu povredu ili oštetiti imovinu. Osigurajte da drugi ljudi i kućni ljubimci budu udaljeni od trimera kada je u upotrebi.



Ne koristite po kiši i ne ostavljajte napolju dok pada kiša.



Ovaj proizvod je u skladu sa primenljivim EC direktivama.

V Voltaža

.../min U minutu

kg Kilogram

SPECIFIKACIJE

Voltaža	56 V $\overline{\text{---}}$	
Brzina bez opterećenja	Do 5800 /min	
Mehanizam sečenja	Izbočena glava	
Tip strune za sečenje	3,0 mm najlonska upletena struna	
Širina sečenja	38 cm	
Preporučena radna temperatura	0 °C - 40 °C	
Preporučena temperatura skladištenja	-20 °C - 70 °C	
Optimalna temperatura punjenja	5 °C - 40 °C	
Težina (bez baterije)	5,8 kg	
Izmereni nivo jačine zvuka L_{WA}	94,2 dB(A) K=1,8 dB(A)	
Nivo zvučnog pritiska kod uha rukovaoca L_{PA}	74,15 dB(A) K=2,5 dB(A)	
Garantovan nivo jačine zvuka L_{WA} (izmereno prema 2000/14/EC)	96 dB(A)	
Procena vibracije a_h :	Prednja pomoćna drška	3,2 m/s ² K=1,5 m/s ²
	Zadnja drška	2,3 m/s ² K=1,5 m/s ²

- Deklarisana ukupna vrednost vibracije je izmerena u skladu sa standardnim metodom testiranja i može se koristiti za upoređivanje jednog alata sa drugim;
- Deklarisana ukupna vrednost vibracije može se koristiti i u preliminarnoj proceni izlaganja.

NAPOMENA: Emisija vibracija tokom stvarne upotrebe električnog alata može da se razlikuje od deklarirane vrednosti u kojoj se alat koristi. Da bi se rukovalac zaštitio, korisnik bi trebalo da nosi rukavice i štitnike za uši u stvarnim uslovima korišćenja.

POPIS PAKOVANJA (SI. A1)

OPIS

SR

UPOZNAJTE TRIMER SA STRUNOM (SI. A1)

1. Utičnica
2. Poluga za zaključavanje.

3. Granični prsten
4. Kružna drška
5. Struna trimera
6. Sklop štitnika
7. Vratilo
8. Okidač
9. Zadnja drška
10. Glava trimera (izbočena glava)
11. Jezičak za otpuštanje
12. Nož za košenje strunom
13. Sigurnosna prečka (samo za glavu motorne kose)
14. Šipka za zaključavanje sigurnosne prečke (samo za glavu motorne kose)
15. Spoljašnja prirubnica (samo za glavu motorne kose)
16. Navrtanj (samo za glavu motorne kose)
17. Vijak
18. Inbus ključ

SKLAPANJE

⚠ UPOZORENJE: Ako su neki delovi oštećeni ili nedostaju, nemojte koristiti ovaj proizvod dok delovi ne budu zamenjeni. Korišćenje ovog proizvoda sa oštećenim ili nedostajućim delovima može dovesti do ozbiljnih telesnih povreda.

⚠ UPOZORENJE: Ne pokušavajte da modifikujete ovaj proizvod ili da pravite dodatke koji nisu preporučeni za korišćenje sa ovim trimenom sa strunom. Svaka takva promena ili modifikacija je zloupotreba i može dovesti do opasnih uslova koji mogu da dovedu do ozbiljnih telesnih povreda.

⚠ UPOZORENJE: Da biste sprečili nehotično pokretanje koje bi moglo izazvati ozbiljne telesne povrede, uvek izvucite konektor baterije iz utičnice kada sklapate delove.

⚠ UPOZORENJE: Kada je alat opremljen glavnom motorne kose, sigurnosna prečka treba da bude montirana.

MONTIRANJE ŠTITNIKA

⚠ UPOZORENJE: Uvek nosite rukavice kad montirate ili zamenjujete štitnik. Pazite na nož na štitniku i zaštitite šaku od posekotine.

⚠ UPOZORENJE: Nikada ne koristite alat bez štitnika čvrsto na mestu. Štitnik mora uvek biti na alatu da bi zaštitio korisnika! Kad je štitnik fiksiran, nikad ne pokušavajte da skinete ili podesite štitnik; ako je potrebna zamena, nju treba da uradi kvalifikovani servisni tehničar!

Olabavite i uklonite dva vijka sa štitnika (Sl. B), poravnajte montažne rupe štitnika sa rupama na sklopu pa zatim zaključajte štitnik na bazu vratila pomoću dva vijka, zajedno sa dve elastične podloške (Sl. C).

⚠ UPOZORENJE: Proverite da li je štitnik fiksiran prema Sl. B i C, svako obrnuto fiksiranje će izazvati veliku opasnost!

MONTIRANJE I PODEŠAVANJE KRUŽNE DRŠKE

1. Zaustavite motor i isključite konektor baterije iz utičnice, ako je instalirana.
2. Olabavite leptir navrtanj da biste odvojili podesivu kružnu dršku (Sl. D).

NAPOMENA: Instalirajte sklop sigurnosne prečke na kružnu dršku pomoću dva vijka kada je alat opremljen glavnom motorne kose.

Opis delova sa Sl. D pogledajte ispod:

D-1	Kružna drška	D-4	Sigurnosna prečka (samo za glavu motorne kose)
D-2	Spojni blok	D-5	Šipka za zaključavanje
D-3	Leptir navrtanj		

NAPOMENA: Postoje dve vrste šipke za zaključavanje, kraća je za glavu trimera. Duža je za glavu motorne kose. Vodite računa da izaberete odgovarajuću šipku za zaključavanje kad koristite alat.

3. Gurnite kružnu dršku na vratilo ispred graničnog prstena. Nikad je ne stavljajte između graničnog prstena i zadnje drške (Sl. E).

NAPOMENA: Podesite kružnu dršku između graničnog prstena i nalepnice upozorenja kad je alat opremljen glavom motorne kose (Sl. F).

4. Umetnite spojni blok u prerez drške (Sl. G).
5. Montirajte šipku za zaključavanje i unapred zategnite ih leptir navrtanjem. Vodite računa da kružna drška bude okrenuta nagore i usmerena ka gornjem delu zadnje drške (Sl. H).
6. Podesavajte kružnu dršku između graničnog prstena i nalepnice dok ne pronađete udoban položaj za korišćenje trimera.

7. Zaključajte polugu šipke za zaključavanje (Sl. I).

⚠ UPOZORENJE: Nikada ne koristite alat bez kružne drške čvrsto na mestu.

⚠ UPOZORENJE: Kružnu dršku fiksirajte isključivo između graničnog prstena i nalepnice.

ZAMENA GLAVE TRIMERA 3-ZUBIM NOŽEM

1. Izvadite strujni utikač iz trimera sa strunom.
2. Okrenite glavu trimera da biste poravnali prerez na prirubnici sa rupom za zaključavanje vratila na menjaču brzina pa umetnite stabilizator u rupu (slika J).
3. Okrenite glavu trimera u smeru kazaljke na satu da biste je skinuli (slika J).
4. Skinite dodatak štitnika tako što ćete olabaviti tri vijka sa podloškom (Sl. K3).

NAPOMENA: Da bi se zaštitilo od povrede, morate nositi rukavice dok radite bilo šta sa 3-zubim nožem.

5. Montirajte unutrašnju prirubnicu i poklopac prirubnice na njihovo mesto (Sl. L1).
6. Postavite nož na vratilo motora, vodeći računa da površina noža bude u ravni sa površinom izbočine unutrašnje prirubnice. Montirajte spoljašnju prirubnicu i navrtanj (Sl. L2). Unapred ručno zategnite navrtanj SUPROTNO OD SMERA KAZALJKE NA SATU.
7. Postavite menjač brzina na čvrstu površinu radi podrške. Jednom rukom držite vratilo motorne kose a drugom rukom uhvatite višenamenski ključ da biste zategnuli navrtanj prateći smer strelice označen na spoljašnjoj prirubnici (Sl. L3).

RUKOVANJE

⚠ UPOZORENJE: Ne dozvolite da zbog poznavanja ovog proizvoda postanete nemarni. Zapamtite da je delić sekunde nepažnje dovoljan da nanese ozbiljnu povredu.

⚠ UPOZORENJE: Uvek nosite zaštitne naočare i zaštitu za sluh. Nepridržavanje toga može dovesti do predmeta izbačenih prema očima i drugih ozbiljnih povreda.

⚠ UPOZORENJE: Ne koristite nikakve dodatke ili pribor koje nije preporučio proizvođač ovog proizvoda. Upotreba dodataka ili pribora koji nisu preporučeni može da dovede do ozbiljne telesne povrede.

⚠ UPOZORENJE: Da biste sprečili ozbiljne telesne povrede, isključite konektor baterije iz utičnice pre servisiranja, čišćenja, menjanja dodataka ili skidanja materijala sa jedinice.

Možete koristiti ovaj proizvod za svrhe navedene ispod:

Trimovanje: koristi se za uklanjanje trave i korova pored zidova, ograda, drveća i međa.

Sečenje: koristi se za sečenje trave koju je teško dosegnuti koristeći normalnu kosilicu.

NAPOMENA: Alat treba koristiti samo za propisanu svrhu. Svaka druga upotreba, na primer trimovanje ivica, smatra se slučajem zloupotrebe.

SPAJANJE/ODVAJANJE KABLA BATERIJE

Koristite samo sa baterijama i punjačima navedenim na slici A2.

Potpuno napunite pre prve upotrebe.

Za instaliranje kabla baterije (Sl. M)

Poravnajte ▲ utikač sa ▲ utičnicom trimera sa strunom. Umetnite utikač u mašinu dok zelena zaptivka potpuno ne nestane u utičnici.

Za uklanjanje

Izvadite kabl baterije iz montažnog žleba i izvucite utikač iz trimera sa strunom.

POKRETANJE/ZAUSTAVLJANJE TRIMERA SA STRUNOM (Sl. N)

Za pokretanje

Gurnite polugu za zaključavanje u položaj „ON“, gurnite jezičak za zaključavanje unapred a zatim pritisnite okidač. Okidač kontinuirano podešava brzinu. Što više povlačite okidač, brzina je veća.

N-1	Poluga za zaključavanje.	N-3	Okidač
N-2	Jezičak za zaključavanje		

Za zaustavljanje

Pustite glavni okidač i gurnite dugme za zaključavanje nazad u položaj „OFF“.

⚠ UPOZORENJE: Uvek izvucite konektor baterije iz utičnice tokom pauza u radu i posle završetka rada.

KORIŠĆENJE TRIMERA SA STRUNOM

⚠ UPOZORENJE: Da biste izbegli ozbiljne telesne povrede, uvek nosite sigurnosne naočare sa bočnim štitnicima ili sigurnosne naočare kad rukujete ovom jedinicom. Nosite masku za lice ili masku za prašinu na prašnjavim mestima.

Očistite područje na kojem ćete seći pre svake upotrebe. Uklonite sve predmete poput kamenja, razbijenog stakla, eksera, žica ili strune koji bi mogli biti izbačeni ili zakačeni dodatkom za sečenje. Uklonite decu, prolaznike i kućne ljubimce iz područja gde ćete raditi. U najmanju ruku, držite svu decu, prolaznike i ljubimce na udaljenosti od najmanje 15 m; i dalje može postojati rizik po posmatrača od izbačenih predmeta. Posmatrača bi trebalo podstaci da nose zaštitne naočare. Ako vam neko priđe, odmah zaustavite motor i dodatak za sečenje.

Pre svake upotrebe proverite da li ima oštećenih/pohabanih delova.

Proverite izbočenu glavu, štitnik i kružnu dršku i zamenite delove koji su naprsli, iskrivljeni, savijeni ili na bilo koji način oštećeni.

Nož za sečenje strunom na ivici štitnika može vremenom da se istupi. Preporučuje se da ga periodično naoštrite turpjom ili da ga zamenite novim nožem.

Nakon svake upotrebe, očistite trimer.

⚠ OPREZ: Začepljenje otvora će sprečiti protok vazduha u kucište motora i dovešće do pregrevanja ili oštećenja motora.

- Koristite samo blag sapun i vlažnu krpu da čistite alat. Nikad ne dozvolite da neka tečnost uđe u alat; nikad ne potapajte nijedan deo alata u tečnost.
- Uvek održavajte otvore za vazduh u kucištu motora bez prljavštine.

⚠ UPOZORENJE: Nikad ne koristite vodu za čišćenje trimera. Izbegavajte korišćenje rastvarača kada čistite plastične delove. Većina plastike je podložna oštećenjima od raznih tipova komercijalnih rastvarača. Koristite čiste krpe da uklonite zemlju, prašinu, ulje, masnoću itd.

PODEŠAVANJE DUŽINE STRUNE ZA SEČENJE

Glava trimera omogućava rukovaocu da otpusti još strune za sečenje bez zaustavljanja motora. Kako struna postaje iskrsana ili pohabana, još strune se može otpustiti laganim tapkanjem izbočenog dugmeta o tlo tokom rukovanja trimenom.

NAPOMENA: Opuštanje strune postaće teže kako struna za sečenje postaje kraća.

⚠ UPOZORENJE: Ne uklanjajte niti prepravljajte sklop noža za sečenje strunom. Prekomerna dužina strune će izazvati pregrevanje motora i može da dovede do ozbiljnih telesnih povreda.

Zamena strune

NAPOMENA: Uvek koristite preporučenu najlonsku strunu za sečenje, prečnika koji ne prelazi 3,0 mm. Korišćenje neke druge strune osim one koja je navedena može da izazove pregrevanje ili oštećenje trimera sa strunom.

⚠ UPOZORENJE: Nikad ne koristite strunu ojačanu metalom, žicu ili kanap itd. Oni se mogu otkinuti i postati opasni projektili.

1. Izvadite strujni utikač iz trimera sa strunom.
2. Uklonite preostalu strunu za sečenje, ako je neophodno.
3. Odsecite 8 m dužine strune za sečenje; udenite strunu u rupicu za montiranje unutar rupe (slika O1). Gurajte i vucite strunu sa druge strane dok se jednake dužine strune ne pojave sa obe strane kalema.
4. Pritiskajte, dok rotirate sklop donjeg poklopca u smeru strelice, da biste namotali strunu na kalem dok približno 14 cm strune ne viri sa svake strane (slika O2).
5. Pritisnite sklop donjeg poklopca nadole dok vučete strune da ručno izvučete strunu i proverite pravilno sklapanje glave trimera.

Kad struna za sečenje puca dok izlazi iz izlaza strune ili se struna za sečenje ne oslobađa kad se glava trimera tapka, pratite korake ispod:

1. Pritisnite jezičke za otključavanje na gornjem poklopcu i skinite sklop donjeg poklopca tako što ćete ga ravno izvući napolje (slika K1 i K2).
2. Uklonite strunu za sečenje iz kalema.
3. Dok jednom rukom držite sklop donjeg poklopca, drugom rukom uhvatite sklop donjeg poklopca i poravnajte jezičke na gornjem poklopcu sa rupicama na sklopu donjeg poklopca (slika O3); dlanom pritiskajte sklop donjeg poklopca dok se jezički ne zaključaju sa gornjim poklopcem.
4. Pratite uputstva u odeljku „ZAMENA STRUNE“ da biste ponovo stavili strunu za sečenje.

ODRŽAVANJE

⚠ UPOZORENJE: Tokom servisiranja, koristite samo identične rezervne delove. Redovno pregledajte i održavajte mašinu. Da bi se osigurala sigurnost i pouzdanost, sve popravke treba da radi kvalifikovani servisni tehničar.

⚠ UPOZORENJE: Alati na baterije ne moraju da budu uključeni u utičnicu; oni su stoga uvek u radnom stanju. Da biste sprečili ozbiljne telesne povrede, budite veoma oprezni i pažljivi kad radite održavanje, servisiranje ili kad menjate dodatak za sečenje ili druge dodatke.

⚠ UPOZORENJE: Da biste sprečili ozbiljne telesne povrede, isključite konektor baterije iz utičnice pre servisiranja, čišćenja, menjanja dodataka ili skidanja materijala sa jedinice.

PODMAZIVANJE MENJAČA BRZINA

Za najbolji rad i duži radni vek, podmazujte menjač brzina specijalnim mazivom (4-5 g svaki put) posle svakih 50 sati rada.

Specijalno mazivo treba da ispuni sledeće zahteve.

1. Spada u DIN51818: NLGI-1 stepen penetracije konusa.
2. Mazivo na bazi estra.
3. Svojstva odličnog pokretanja na niskoj temperaturi, EP, mehaničkog smicanja, otpornosti na abraziju i oksidativne stabilnosti.
4. Radna temperatura mora da obuhvati -40 - 180 °C. Izvadite utikač baterije i zaptivni vijak. Podmazivanje menjača brzina kroz rupicu za ulje.

⚠ UPOZORENJE: Ne podmazujte dok je motorna kosa još uvek spojena sa baterijom ili dok radi.

ČIŠĆENJE JEDINICE

- Očistite jedinicu vlažnom krpom i blagim deterdžentom.
- Ne koristite jake deterdžente na plastičnom kućištu i drški. Mogu ih oštetiti određena aromatična ulja, poput bora i limuna, i rastvarači poput kerozina. Vлага može da izazove i opasnost od strujnog udara. Obrisite svu vlagu mekom suvom krpom.

SKLADIŠTENJE JEDINICE

- Izvucite konektor baterije iz utičnice iz trimera sa strunom kad nije u upotrebi.
- Temeljno očistite alat pre no što ga uskladištite.

- Skladištite jedinicu na suvom, dobro provetrenom mestu, zaključanu ili na visini, van domašaja dece. Ne skladištite jedinicu na ili pored đubriva, benzina ili drugih hemikalija.
- Upotrebljavajte transportnu navlaku za metalne noževe tokom transportovanja i skladištenja.

Zaštita životne sredine



Ne odlažite električnu opremu, potrošene baterije i punjače u kućni otpad! Odnosite ovaj proizvod u ovlašćeni pogon za reciklažu ili ga odvojite od ostalog smeća radi zasebnog prikupljanja. Električni alati moraju se odneti u ekološki prihvatljiv pogon za reciklažu.

REŠAVANJE PROBLEMA

PROBLEM	UZROK	REŠENJE
Neće da se pokrene	<ul style="list-style-type: none"> ■ Baterija nije spojena na trimer sa strunom. ■ Nema električnog kontakta između trimera i baterije. ■ Baterija je prazna. 	<ul style="list-style-type: none"> ■ Spojite bateriju na trimer sa strunom. ■ Ponovo umetnite bateriju sa navedenim punjačem. ■ Napunite bateriju.
Prestaje da radi	<ul style="list-style-type: none"> ■ Štitnik nije montiran na trimer, dovodeći do predugačke strune za sečenje i preopterećenja motora. ■ Koristi se debela struna za sečenje. ■ Vratilo motora ili glava trimera su omotani travom. ■ Motor je preopterećen. ■ Baterija ili trimer sa strunom su prevrući. ■ Konektor baterije se odvojio od alata. ■ Baterija je prazna. 	<ul style="list-style-type: none"> ■ Isključite konektor baterije iz utičnice i montirajte štitnik na trimer. ■ Koristite preporučenu najlonsku strunu za sečenje prečnika ne većeg od 3,0 mm. ■ Zaustavite trimer, izvadite bateriju i uklonite travu sa vratila i glave trimera. ■ Mašina će se ponovo pokrenuti kad se opterećenje ukloni. Za neprestan rad, smanjite opterećenje mašine. ■ Ostavite bateriju ili trimer da se hlade dok temperatura ne padne ispod 67 °C. ■ Ponovo uključite konektor. ■ Napunite bateriju.
Struna za sečenje ne može da se otpusti.	<ul style="list-style-type: none"> ■ Vratilo motora ili glava trimera su se upetljali u travu. ■ Nema dovoljno strune u glavi trimera. ■ Glava trimera je prljava. ■ Struna je zapetljana u glavi trimera ■ Struna je prekratka. 	<ul style="list-style-type: none"> ■ Zaustavite trimer, izvadite bateriju i uklonite travu sa vratila motora i glave trimera. ■ Izvadite bateriju i zamenite strunu za sečenje; pratite odeljak „ZAMENA STRUNE“ u ovom priručniku. ■ Izvadite bateriju i očistite sklop donjeg poklopca, kalem i gornji poklopac. ■ Izvadite bateriju, skinite strunu sa kalema i ponovo je namotajte; pratite odeljak „ZAMENA STRUNE“ u ovom priručniku. ■ Izvadite bateriju i vucite strune dok naizmenično pritisnete nadole i puštate glavu trimera.
Trava se omotala oko glave trimera i kućišta motora	<ul style="list-style-type: none"> ■ Sečenje visoke trave na nivou tla. 	<ul style="list-style-type: none"> ■ Secite korov u nekoliko delova odgore do nivoa tla.



GARANCIJA

EGO POLITIKA GARANCIJE

Posetite veb-lokaciju egopowerplus.com za potpune uslove i odredbe EGO politike garancije.

SR

224

BEŽIČNI TRIMER SA STRUNOM I LITIJUM-JONSKOM BATERIJOM OD 56 VOLTI — STX3800

PROČITAJTE UPUTSTVO U CIJELOSTI!



PROČITAJTE KORISNIČKI PRIRUČNIK.

⚠ UPOZORENJE! Preostale opasnosti! Osobe s elektroničkim uređajima poput srčanih elektrostimulatora prije upotrebe ovog proizvoda trebaju se posavjetovati sa svojim ljekarom. Rad električne opreme u neposrednoj blizini srčanih elektrostimulatora može uzrokovati smetnju ili kvar srčanog elektrostimulatora.



Simbol upozorenja



Nosite zaštitu za oči. - Kada upotrebljavate ovaj proizvod, uvijek nosite zatvorene zaštitne naočale ili zaštitne naočale s bočnim štitnicima i štitičnik za cijelo lice.



Nosite zaštitu za sluh. - Kada rukujete ovim proizvodom, uvijek nosite zaštitu za sluh.



Nosite zaštitu za glavu. - Radi zaštite glave nosite odobrenu sigurnosnu kacigu.



Nemojte postavljati zaobljene rezne noževe.



Širina - Maks. širina rezanja trimera s reznom niti



Pobrinite se da druge osobe i kućni ljubimci ostanu na udaljenosti od najmanje 15 m od trimera s reznom niti tokom upotrebe.



Zagarantovani nivo zvučne snage. Emisija buke u okruženju u skladu je s Direktivom Evropske unije.



Otpadni električni proizvodi ne smiju se odlagati s otpadom iz domaćinstva. Odnosite ih u ovlaštenu centar za reciklažu.

n_0

Brzina vrtnje bez opterećenja-Brzina okretanja, bez opterećenja



Istosmjerna struja

SIGURNOSNI SIMBOLI

⚠ UPOZORENJE! Rukovanje električnim alatima može rezultirati odbacivanjem stranih predmeta u oči, što opet može izazvati teška oštećenja očiju. Prije početka rukovanja električnim alatom, uvijek nosite zatvorene zaštitne naočale ili zaštitne naočale s bočnim štitnicima, a prema potrebi i štitičnik za cijelo lice. Preporučujemo nošenje sigurnosne maske proizvođača Wide Vision preko naočala, ili nošenje standardnih zaštitnih naočala s bočnim štitnicima.



Radi smanjenja opasnosti od povreda, korisnik treba pročitati korisnički priručnik.



Nosite sigurnosnu obuću. - Kada upotrebljavate ovu opremu nosite neklizajuću sigurnosnu obuću.



Nosite zaštitne rukavice. - Kada rukujete nožem i štitičnikom noža zaštitite ruke rukavicama.



Čuvajte se povratnog udara noža. - Upozorite rukovoaca na opasnost od povratnog udara noža.



Prečnik - Prečnik najlonске rezne niti



Odbačeni predmeti mogu odskočiti i rezultirati tjelesnim povredama ili materijalnom štetom. Pobrinite se da druge osobe i kućni ljubimci ostanu podalje od čistača šikare tokom upotrebe.



Uređaj nemojte upotrebljavati na kiši ili nemojte ga ostavljati na otvorenom kada pada kiša.



Ovaj proizvod je u skladu s primjenjivim Direktivama EU.

V Napon

.../min U minuti

kg Kilogram

TEHNIČKI PODACI

Napon	56 V $\overline{\text{---}}$	
Brzina vrtnje bez opterećenja	Do 5800 o/min	
Rezni mehanizam	Rezna glava	
Vrsta rezne niti	Najlonska rezna nit 3,0 mm	
Širina rezanja	38 cm	
Preporučena radna temperatura	0 °C - 40 °C	
Preporučena temperatura skladištenja	-20 °C - 70 °C	
Optimalna temperatura punjenja	5 °C - 40 °C	
Masa (bez kompleta baterija)	5,8 kg	
Izmjereni nivo zvučne snage L_{WA}	94,2 dB(A) K=1,8 dB(A)	
Nivo zvučnog pritiska kod uha rukovaoca L_{PA}	74,15 dB(A) K=2,5 dB(A)	
Zagarantovani nivo zvučne snage L_{WA} (izmjereno u skladu s Direktivom 2000/14/EZ)	96 dB(A)	
Procjena vibracija a_h :	Prednji pomoćni rukohvat	3,2 m/s ² K = 1,5 m/s ²
	Stražnji rukohvat	2,3 m/s ² K = 1,5 m/s ²

- Deklarisane ukupne vrijednosti vibracija izmjerene su u skladu sa standardnom metodom ispitivanja i mogu se primjenjivati za poređenje jednog alata s drugim.
- Deklarisane ukupne vrijednosti vibracija mogu se primjenjivati i u preliminarnoj procjeni izloženosti.

NAPOMENA! Emisija vibracija tokom aktuelne upotrebe električnog alata može se razlikovati od deklarisanе vrijednosti u kojoj se alat upotrebljavao; Korisnik radi zaštite treba nositi rukavice i štitnike za uši u aktuelnim uslovima upotrebe.

LISTA PAKOVANJA (SI. A1)

OPIS

UPOZNAJTE SVOJ TRIMER S REZNO M NITI (SI. A1)

1. Postolje
2. Ručica za deblokadu

3. Granični prsten
4. Rukohvat s omčom
5. Rezna nit za trimer
6. Sklop štitnika
7. Drška
8. Okidač
9. Stražnji rukohvat
10. Glava trimera (rezna glava)
11. Jezičak za otpuštanje
12. Nož za rezanje rezne niti
13. Sigurnosna šipka (samo za glavu čistača šikare)
14. Blokimi klin za sigurnosnu šipku (samo za glavu čistača šikare)
15. Vanijska prirubnica (samo za glavu čistača šikare)
16. Matica (samo za glavu čistača šikare)
17. Vijak
18. Allen ključ

SASTAVLJANJE

⚠ UPOZORENJE! Ako je bilo koji dio oštećen ili ako nedostaje, nemojte upotrebljavati ovaj proizvod dok ne zamijenite dijelove. Upotreba ovog proizvoda oštećenih dijelova ili dijelova koji nedostaju može rezultirati teškim tjelesnim povredama.

⚠ UPOZORENJE! Nemojte pokušavati da modifikujete ovaj proizvod ili da pravite pribor koji nije preporučen za upotrebu s ovim trimrom s reznom niti. Sve takve izmjene ili modifikacije predstavljaju nepropisnu upotrebu i mogu rezultirati opasnim stanjima koja mogu dovesti do mogućih teških tjelesnih povreda.

⚠ UPOZORENJE! Radi sprečavanja iznenadnog pokretanja koje može uzrokovati teške tjelesne povrede, uvijek isključite konektor baterije iz utičnice kada postavljate dijelove.

⚠ UPOZORENJE! Kada je alat opremljen glavom čistača šikare, potrebno je postaviti sigurnosnu šipku.

POSTAVLJANJE ŠTITNIKA

⚠ UPOZORENJE! Pri postavljanju štitnika ili zamjeni štitnika uvijek nosite rukavice. Pazite na nož na štitniku i zaštitite ruke od posjekotina.

⚠ UPOZORENJE! Alat nemojte nikada upotrebljavati bez dobro pričvršćenog štitnika. Štitnik uvijek mora biti na alatu radi zaštite korisnika! Kada je štitnik pričvršćen, nemojte nikada pokušavati da ga uklanjate ili podešavate. Ako je potrebna zamjena, treba je obaviti kvalifikovani servisni tehničar!

Otpustite i uklonite dva vijka sa štitnika (sl. B). Poravnajte montažne provrte na štitniku s montažnim provrtima i štitnik zatim pričvrstite na kućište drške s dva vijka i dvije opružne podloške (sl. C).

⚠ UPOZORENJE! Uvjerite se da je štitnik pričvršćen u skladu sa sl. B i C. Svako obrnuto pričvršćivanje izazvat će veliku opasnost!

POSTAVLJANJE I PODEŠAVANJE RUKOHVATA S OMČOM

1. Zaustavite motor i isključite konektor baterije iz utičnice, ako je postavljen.
2. Za odvajanje podesivog rukohvata s omčom otpustite krilnu maticu (sl. D).

NAPOMENA! Kada je alat opremljen glavom čistača šikare postavite sklop sigurnosne šipke na rukohvat s omčom pomoću dva vijka.

Opis dijelova na sl. D pogledajte u nastavku:

D-1	Rukohvat s omčom	D-4	Sigurnosna šipka (samo za glavu čistača šikare)
D-2	Stezni blok	D-5	Blokirni klin
D-3	Krilna matica		

NAPOMENA! Postoje dvije vrste blokirnog klina, a kraći je za glavu trimera. Duži je za glavu čistača šikare. Kada upotrebljavate alat, vodite računa da odaberete ispravan blokirni klin.

3. Gurnite rukohvat s omčom na dršku ispred graničnog prstena. Nemojte ga nikada stavljati između graničnog prstena i područja stražnjeg rukohvata (sl. E).

NAPOMENA! Kada je alat opremljen glavom čistača šikare, rukohvat s omčom namjestite između graničnog prstena i naljepnice upozorenja (sl. F).

4. U utor rukohvata umetnite stezni blok (sl. G).
5. Postavite blokirni klin i pritegnite ga krilnom maticom. Uvjerite se da je rukohvat s omčom okrenut prema gore i da je usmjeren prema gornjem dijelu stražnjeg rukohvata (sl. H).
6. Kada upotrebljavate trimmer, rukohvat s omčom namjestite između graničnog prstena i naljepnice tako da bude u ugodnom položaju.

7. Zabravite ručicu blokirnog klina (sl. I).

⚠ UPOZORENJE! Alat nemojte nikada upotrebljavati bez dobro pričvršćenog rukohvata s omčom.

⚠ UPOZORENJE! Rukohvat s omčom pričvrstite samo između graničnog prstena i naljepnice.

ZAMJENA GLAVE TRIMERA S TROKRAKIM NOŽEM

1. Uklonite strujni utikač s trimera s reznom niti.
2. Zarotirajte glavu trimera da poravnate utor u prirubnici s otvorom za blokadu osovine u kućištu prijenosnika i umetnite stabilizator u otvor (sl. J).
3. Zarotirajte glavu trimera u smjeru kretanja kazaljki na satu da je uklonite (sl. J).
4. Uklonite sklop štitnika otpuštanjem triju vijaka s podloškom (sl. K3).

NAPOMENA! Prije rada s trokrakim nožem potrebno je nositi rukavice radi zaštite od povreda.

5. Postavite unutrašnju prirubnicu i poklopac prirubnice na njihovo mjesto (sl. L1).
6. Postavite nož na osovinu motora vodeći računa da površina noža bude u ravni s površinom izbočine unutrašnje prirubnice. Postavite vanjsku prirubnicu i maticu (sl. L2). Rukom pritegnite maticu u SMJERU SUPROTNOG SMJERU KRETANJA KAZALJKI NA SATU.
7. Poduprite kućište prijenosnika o čvrstu površinu. Jednom rukom držite dršku čistača šikare, a drugom rukom prihvatite višefunkcijski ključ kako biste pritegnuli maticu u smjeru strelice označene na vanjskoj prirubnici (sl. L3).

RAD

⚠ UPOZORENJE! Nemojte dozvoliti da vas poznavanje ovog proizvoda učini nepažljivim. Imajte na umu da je za nanošenje teških povreda dovoljan samo djelić sekunde nepažnje.

⚠ UPOZORENJE! Uvijek nosite zaštitu za oči, zajedno sa zaštitom za sluh. Nepostupanje u skladu s tim može rezultirati odbacivanjem predmeta u oči i drugim mogućim teškim povredama.

⚠ UPOZORENJE! Nemojte upotrebljavati priključke ili pribor koje nije preporučio proizvođač ovog proizvoda. Upotreba nepreporučenih priključaka ili pribora može rezultirati teškim tjelesnim povredama.

⚠ UPOZORENJE! Radi sprečavanja teških tjelesnih povreda, prije servisiranja, čišćenja, promjene priključaka ili uklanjanja materijala iz jedinice isključite konektor baterije iz utičnice.

Ovaj proizvod možete upotrebljavati za svrhe navedene u nastavku:

Šišanje: upotrebljava se za uklanjanje trave i korova uz zidove, ograde, drveće i granične elemente.

Rezanje: upotrebljava se za rezanje trave koju je teško dosegnuti normalnom kosilicom.

NAPOMENA! Alat se smije upotrebljavati samo za prethodno opisanu namjenu. Svaka druga upotreba, na primjer rubno šišanje, smatra se nepropisnom upotrebom.

POSTAVLJANJE/SKIDANJE BATERIJSKOG KABELA

Upotrebljavajte samo s kompletima baterija i punjačima koji su navedeni na sl. A2.

Komplet baterija napunite prije prve upotrebe.

Postavljanje baterijskog kabela (sl. M)

Poravnajte ▲ utikač s trimenom s ▲ reznom niti. Utaknite utikač u uređaj tako da zelena oznaka potpuno nestane u utičnici.

Skidanje

Oslobodite baterijski kabel iz montažnog žlijeba i izvucite utikač iz trimera s reznom niti.

POKRETANJE/ZAUSTAVLJANJE TRIMERA S REZNOM NITI (sl. N)

Pokretanje

Gurnite ručicu za deblokadu u položaj "ON", gurnite ježičak za blokadu prema naprijed, a zatim pritisnite okidač. Okidač je kontinuirani regulator brzine. Što više povlačite okidač, to je brzina viša.

N-1	Ručica za deblokadu	N-3	Okidač
N-2	Ježičak za blokadu		

Zaustavljanje

Otpustite okidač i gurnite dugme za deblokadu nazad u položaj "OFF".

⚠ UPOZORENJE! Konektor baterije uvijek isključite iz utičnice tokom pauza i nakon završetka radova.

⚠ UPOZORENJE! Radi izbjegavanja tjelesnih povreda, uvijek nosite zatvorene zaštitne naočale ili zaštitne naočale kada radite s ovom jedinicom. U prašnjavim područjima nosite zaštitnu masku za lice ili masku za zaštitu od prašine.

Očistite radno područje prije svake upotrebe. Uklonite sve predmete poput kamenja, razbijenog stakla, eksera, žica ili niti koje trimer može odbaciti ili koji se mogu zaplesti u rezni priključak. Iz područja udaljite djecu, posmatrača i kućne ljubimce. Držite djecu, posmatrača i kućne ljubimce udaljene najmanje 15 m; za posmatrača čak i tada postoji opasnost od odbačenih predmeta. Posmatrača je potrebno zamoliti da nose zaštitu za oči. Ako vam neko prilazi, odmah zaustavite motor i rezni priključak.

Prije svake upotrebe provjerite ima li oštećenih/istrošenih dijelova.

Provjerite reznu glavu, štitnik i rukohvat s omčom i zamijenite dijelove koji su napukli, deformisani, savijeni ili oštećeni na bilo koji način.

Nož za rezanje rezne niti na rubu štitnika vremenom može postati tup. Preporučujemo povremeno oštrenje noža turpijom ili zamjenu noža.

Očistite trimer nakon svake upotrebe.

⚠ OPREZI! Zapreke u ventilacijskim otvorima spriječit će protok zraka u kućište motora i rezultirati pregrijavanjem ili oštećenjem motora.

- Za čišćenje alata upotrebljavajte samo blagu sapunicu i vlažnu krpu. Nemojte nikada dozvoliti da tekućina dospije u alat i nemojte nikada uranjati dijelove alata u tekućinu.
- Zračne ventilacijske otvore u kućištu motora cijelo vrijeme održavate čistim od naslaga.

⚠ UPOZORENJE! Za čišćenje trimera nemojte nikada upotrebljavati vodu. Kada čistite plastične dijelove, izbjegavajte upotrebljavati rastvore. Mnoge plastike mogu se oštetiti različitim vrstama komercijalnih rastvora. Za uklanjanje prljavštine, prašine, ulja, masti i sl. upotrebljavajte čiste krpe.

PODEŠAVANJE DUŽINE REZNE NITI

Glava trimera rukovaocu omogućuje otpuštanje više rezne niti bez zaustavljanja motora. Ako se rezna nit pohaba ili istroši, laganim dodirivanjem udarnog dugmeta o tlo tokom rukovanja trimenom moguće je otpustiti više niti.

NAPOMENA! Otpuštanje niti teže je kako se rezna nit skraćuje.

⚠ UPOZORENJE! Nemojte uklanjati sklop noža za rezanje rezne niti ili ne obavljajte preinake na njemu. Prevelika dužina niti uzrokovat će pregrijavanje motora što može rezultirati teškim tjelesnim povredama.

Zamjena rezne niti

NAPOMENA! Uvijek upotrebljavajte preporučenu najlonsku reznu nit prečnika ne većeg od 3,0 mm. Upotreba rezne niti drukčije od navedene može uzrokovati pregrijavanje ili oštećenje trimera.

⚠ UPOZORENJE! Nemojte nikada upotrebljavati metalom ojačane niti, žicu ili užu i sl. jer mogu se odlomiti i postati opasni projektili.

1. Uklonite strujni utikač s trimera s reznom niti.
2. Ako je potrebno, uklonite preostalu reznu nit.
3. Odrežite 8 m rezne niti i umetnite reznu nit u montažni provrt u ušici (sl. 01). Provucite reznu nit i povlačite je s druge strane dok rezna nit ne bude iste dužine s obje strane kalema.
4. Pritisnite dok sklop donjeg poklopca okrećete u smjeru strelice kako biste reznu nit namotali na kalem tako da sa svake strane ostane oko 14 cm rezne niti (sl. 02).
5. Gurnite sklop donjeg poklopca prema dolje pritom povlačeći reznu nit kako biste je ručno pomjerali prema naprijed i provjerili ispravnu montažu glave trimera.

Ako se rezna nit otkine na izlazu niti ili ako se rezna nit ne otpusti lupkanjem po glavi trimera, slijedite korake u nastavku:

1. Pritisnite jezičke za otpuštanje na gornjem poklopcu i uklonite sklop donjeg poklopca povlačeći ga ravno van (sl. K1 i K2).
2. Izvadite reznu nit iz kalema.
3. Jednom rukom držite sklop gornjeg poklopca, drugom rukom uzmite sklop donjeg poklopca i poravnajte jezičke na gornjem poklopcu s provrtnima u sklopu donjeg poklopca (sl. 03); dlanom pritišćite sklop donjeg poklopca dok jezički ne ulegnu u gornji poklopac.
4. Za ponovno namotavanje rezne niti pratite uputstva u odjeljku "ZAMJENA REZNE NITI".

ODRŽAVANJE

⚠ UPOZORENJE! Kada obavljate radove servisiranja, upotrebljavajte samo identične zamjenske dijelove. Redovno obavljajte pregled i održavanje uređaja. Radi osiguranja sigurnosti i pouzdanosti, sve popravke treba obavljati kvalifikovani servisni tehničar.

⚠ UPOZORENJE! Baterijske alate nije potrebno uključivati u električnu utičnicu, stoga su uvijek u radnom stanju. Radi sprečavanja teških tjelesnih povreda poduzmite dodatne mjere opreza i budite oprezni kada obavljate radove održavanja, servisiranja ili zamjene reznog priključka ili drugih priključaka.

⚠ UPOZORENJE! Radi sprečavanja teških tjelesnih povreda, prije servisiranja, čišćenja, promjene priključaka ili uklanjanja materijala iz jedinice isključite konektor baterije iz utičnice.

PODMAZIVANJE KUČIŠTA PRIJENOSNIKA

Za najbolji rad i duži radni vijek, kućište prijenosnika podmazujte specijalnom mašču (4 - 5 g svaki put) nakon svakih 50 sati rada.

Posebna mast mora ispunjavati sljedeće zahtjeve:

1. Spadati u DIN51818: NLGI-1 gradaciju penetracije konusa.
2. Mast na bazi estera.
3. Izuzetno pokretanje na niskoj temperaturi, EP, mehanički posmak, svojstva otpornosti na abraziju i oksidacijske stabilnosti.
4. Radna temperatura mora biti -40 - 180 °C. Izvucite utikač baterije i brtveni vijak. Kućište prijenosnika podmažite kroz otvor za ulje.

⚠ UPOZORENJE! Nemojte obavljati podmazivanje kada je čistač šikare priključen na bateriju ili kada radi.

ČIŠĆENJE JEDINICE

- Jedinicu čistite vlažnom krpom i blagim deterdžentom.
- Za čišćenje plastičnog kućišta ili rukohvata nemojte upotrebljavati jake deterdžente jer mogu ih oštetiti neka aromatična ulja, kao što su borovo i limunovo ulje i rastvori kao što je kerozin. Vлага može izazvati opasnost od strujnog udara. Vlažna mjesta obrišite mekanom suhom krpom.

SKLADIŠTENJE JEDINICE

- Isključite konektor baterije iz utičnice trimera s reznom niti kada ne upotrebljavate trimer.
- Alat dobro očistite prije skladištenja.
- Jedinicu skladištite na suhom, dobro prozračenom mjestu koje je moguće zaključati ili koje je na visini izvan dohvata djece. Jedinicu nemojte skladištiti na gnojivima, benzinu ili drugim hemikalijama ili u njihovoj blizini.
- Za transport i skladištenje upotrebljavajte transportnu navlaku za metalne noževe.

Zaštita životne sredine



Električnu opremu, iskorištenu bateriju i punjač ne odlažite u kućni otpad! Ovaj proizvod odnesite u ovlaštenu centar za reciklažu i time omogućite odvojeno sakupljanje. Električne alate potrebno je vratiti u ekološki prihvatljiv pogon za reciklažu.

OTKLANJANJE PROBLEMA

PROBLEM	UZROK	RJEŠENJE
Alat se ne pokreće.	<ul style="list-style-type: none"> ■ Komplet baterija nije pričvršćen na trimer s reznom niti. ■ Nema električnog kontakta između trimera i baterije. ■ Komplet baterija je ispražnjen. 	<ul style="list-style-type: none"> ■ Pričvrstite komplet baterija na trimer s reznom niti. ■ Ponovo umetnite komplet baterija s navedenim punjačem. ■ Napunite komplet baterija.
Alat prestaje raditi.	<ul style="list-style-type: none"> ■ Štitnik nije postavljen na trimer, što rezultira predugačkom reznom niti i preopterećenjem motora. ■ Upotrebljava se teška rezna nit. ■ Osovinu motora ili glavu trimera blokira trava. ■ Motor je preopterećen. ■ Komplet baterija ili trimer s reznom niti je previše vruć. ■ Konektor kompleta baterija je odspojen od alata. ■ Komplet baterija je ispražnjen. 	<ul style="list-style-type: none"> ■ Isključite konektor baterije iz utičnice i postavite štitnik na trimer. ■ Upotrebljavajte preporučenu najlonsku reznu nit prečnika ne većeg od 3,0 mm. ■ Zaustavite trimer, izvadite bateriju i očistite travu s osovine motora i glave trimera. ■ Uredaj će se povratiti po uklanjanju opterećenja. Za kontinuirani rad smanjite opterećenje uređaja. ■ Pričekajte da se komplet baterija ili trimer ohlade na temperaturu ispod 67 °C. ■ Ponovo priključite konektor. ■ Napunite komplet baterija.
Reznu nit nije moguće otpustiti.	<ul style="list-style-type: none"> ■ Osovinu motora ili glavu trimera blokira trava. ■ U glavi trimera nema dovoljno rezne niti. ■ Glava trimera je zaprljana. ■ Rezna nit zapetljala se u glavi trimera. ■ Rezna nit je prekratka. 	<ul style="list-style-type: none"> ■ Zaustavite trimer, izvadite bateriju i očistite travu s osovine motora i glave trimera. ■ Izvadite bateriju i zamijenite reznu nit; slijedite uputstva u poglavlju "ZAMJENA REZNE NITI" u ovom uputstvu za upotrebu. ■ Izvadite bateriju i očistite sklop donjeg poklopca, kalem i gornji poklopac. ■ Izvadite bateriju, uklonite reznu nit iz kalema i ponovo je namotajte; slijedite uputstva u poglavlju "ZAMJENA REZNE NITI" u ovom uputstvu za upotrebu. ■ Izvadite bateriju i povucite rezne niti dok naizmjerno pritišćete i otpuštate glavu trimera.
Trava se omotava oko glave trimera i kućišta motora.	<ul style="list-style-type: none"> ■ Visoka trava reže se od nivoa tla. 	<ul style="list-style-type: none"> ■ Korov režite u nekoliko poteza odozgo prema tlu.



GARANCIJA

POLITIKA GARANCIJE PROIZVOĐAČA EGO

Za sve odredbe i uslove politike garancije proizvođača EGO posjetite internetsku stranicu egopowerplus.com.

קראו את כל ההוראות!

קראו את מדריך ההוראות



⚠ אזהרה: סיכון שיורי! אנשים בעלי מכשירים חשמליים כגון קוצבי לב, צריכים להתייעץ עם הרופאים (המטפלים) בהם לפני השימוש במכשיר זה. הפעלה של ציוד חשמלי בקרבת קוצבי לב עלולה להפריע לפעולת הקוצב או אפילו להפסיק את פעולתו.

סימני בטיחות

⚠ אזהרה: הפעלה של כלי עבודה חשמליים עלולה לגרום לעצמים זרים להיזרק אל תוך העיניים, דבר העלול לגרום לנזק חמור לעיניים. לפני הפעלה של כלי עבודה חשמלי, ענדו תמיד משקפי מגן או משקפי בטיחות עם הגנה צדדית, ובעת הצורך, הגנה עבור כל הפנים. אנו ממליצים על שימוש במסכת בטיחות רחבה מעל למשקפי המגן או על שימוש במשקפי בטיחות עם הגנה צדדית. התראת בטיחות



התראת בטיחות

לבשו מגני עיניים-חבשו תמיד משקפי מגן או משקפי בטיחות עם הגנה צדדית, ובעת הצורך, הגנה עבור כל הפנים, בעת הפעלת מוצר זה.



לבשו מגני אוזניים-השתמשו תמיד במגני אוזניים בעת הפעלת מוצר זה.



לבשו מגני ראש-חבשו קסדת בטיחות מאושרת על מנת להגן על ראשכם.



יין להתקין להבי חיתוך עגולים.



רחב-רוחב החיתוך המקסימלי של חוט הגוזם



וודאו שאנשים אחרים וחיות מחמד נמצאים במרחק של לפחות 15 מ' מגוזם החוט בעת השימוש בו.



רמת עוצמת קול מובטחת. פליטת רעש אל הסביבה בהתאם לתקנת האיחוד האירופי.



אין לזרוק מוצרים חשמליים ביחד עם אשפה ביתית. הביאו את המכשיר למרכז מחזור מוסמך.

n₀

מהירות ללא עומס-מהירות סיבובית, ללא עומס



זרם ישיר



על מנת להפחית את הסיכון לפציעות, על המשתמש לקרוא את המדריך למשתמש.



לבשו נעליים בטוחות-נעלו נעליים בטוחות שאינן מחליקות בעת השימוש בציוד.



לבשו כפפות מגן-הגנו על ידיכם עם כפפות בעת הטיפול בלהב או במגן הלהב.



היו זהירים מנעיצת הלהב-הזהירו את המפעיל מפני סכנה של נעיצת הלהב.



קוטר-קוטר חוט החיתוך מניילון



עצמים עלולים להיזרק ולגרום לפציעה אישית או לנזק לרכוש. וודאו שאנשים אחרים וחיות מחמד נמצאים רחוק ממסכת הדשא בעת השימוש בה.



אין להשתמש במזג אוויר גשום או להשאיר בחוץ בגשם.



מוצר זה תואם לתקנות ה-CE הרלוונטיות.

V

מתח

.../min

לדקה

kg

קילוגרם

מפרטים

56 V		וולטז'
עד ל-5800/דקה		מהירות ללא עומס
ראש בליטה		מנגנון חיתוך
חוט ניילון מפותל של 3.0 מ"מ		סוג חוט חיתוך
38 ס"מ		רוחב חיתוך
0°C-40°C		טמפרטורת הפעלה מומלצת
-20°C-70°C		טמפרטורת אחסון מומלצת
5°C-40°C		טמפרטורת הטענה אופטימלית
5.8 ק"ג		משקל (ללא מארז סוללה)
94.2 (A)Bd 1.8=K (A)Bd		רמת עוצמת קול נמדדת L _{WA}
74.15 (A)Bd 2.5=K (A)Bd		רמת לחץ קול באוזן המפעיל L _{PA}
96 (A)Bd		רמת עוצמת קול מובטחת (בהתאם ל-2000/14/EC)
הערכת רטט a _h	3.2 מ'שנייה ² 1.5=K מ'שנייה ²	ידיית עזרה קדמית
	2.3 מ'שנייה ² 1.5=K מ'שנייה ²	ידיית אחורית

8. הדק

9. ידיית אחורית

10. ראש גוזם (ראש בליטה)

11. לשונית שחרור

12. להב חיתוך חוט

13. בריח מחסום בטיחות (עבור ראש גוזם מברשת בלבד)

14. מוט נעילה עבור בריח מחסום הבטיחות (עבור ראש גוזם מברשת בלבד)

15. גליל חיצוני (עבור ראש גוזם מברשת בלבד)

16. בורג (עבור ראש גוזם מברשת בלבד)

17. בורג

18. מפתח און

הרכבה

⚠ אזהרה: אם ישנם חלקים ניזוקים או חסרים, אל תפעילו את המכשיר עד אשר חלקים אלו יוחלפו. שימוש במכשיר זה עם חלקים פגומים או חסרים עלול לגרום לפציעה אישית חמורה.

⚠ אזהרה: אל תנסו לשנות את המוצר או ליצור אביזרים אשר אינם מומלצים לשימוש ביחד עם הגוזם. כל שינוי שכזה או הוספה מהווה שימוש לא נכון במכשיר ועלול לגרום לתנאים מסוכנים אשר יובילו לפציעה אישית אפשרית.

⚠ אזהרה: על מנת למנוע הפעלה מקרית אשר עלולה להוביל לפציעה אישית חמורה, נתקו תמיד את מחבר הסוללה מן השקע בעת הרכבת חלקים.

⚠ אזהרה: כאשר המכשיר מצויד בראש גוזם מברשת, יש להרכיב את בריח מחסום הבטיחות.

הרכבת המגן

⚠ אזהרה: לבשו תמיד כפפות בעת הרכבת או החלפת המגן. היו זהירים עם הלהב שעל גבי המגן והגנו על הידיים שלכם.

⚠ אזהרה: לעולם אין להפעיל את הכלי כאשר המגן איננו נמצא במקומו. על המגן להיות תמיד על גבי הכלי על מנת לנגן על המשתמש! כאשר המגן נמצא במקומו, לעולם אין לנסות להסיר או לכוונו את המגן. אם יש צורך להחליף את המגן, על הדבר להיעשות על ידי טכנאי שירות מוסמך!

שחררו והסירו את שני הברגים מבסיס המוט (תמונה B), יישרו את חורי המשענת של המגן עם חורי ההרכבה ולאחר מכן נעלו את המגן אל המוט בעזרת שני הברגים ביחד עם שני שוטפי הקפיצים (תמונה C).

- ערך הרטט הכללי המוצהר נמדד בהתאם עם שיטת בדיקה סטנדרטית ונעתיק להשתמש בו על מנת להשוות ציוד אחד עם ציוד אחר;
- ניתן להשתמש בערך הרטט הכללי המוצהר בהערכה ראשונית של חשיפה.

הודעה: פליטת הרטט בעת השימוש המעשי בכלי יכולה להיות שונה מן הערך המוצהר כאשר הכלי נמצא בשימוש; על מנת להגן על המפעיל, על המשתמש ללבוש כפפות ומגני אוזניים בעת השימוש למעשה.

רשימת אריזה (תמונה A1)

תיאור

הכירו את גוזם החוט שלכם (תמונה A1)

1. גומחה
2. דוושט נעילה
3. טבעת סף
4. ידיית
5. חוט גוזם
6. חיבור מגן
7. מוט

⚠ אזהרה: וודאו שהמגן נעול במקומו בהתאם לתמונות C ו-B, כל נעילה הפוכה תגרום לסכנה גדולה!

הרכבה וכוונן של ידית הלולאה

1. הפסיקו את פעולת המנוע ונתקו את מחבר הסוללה מן השקע, אם הותקן.
2. שחררו את אום הכנף על מנת להפריד את ידית הלולאה הניתנת לכוונן (תמונה D).

הודעה: התקינו את חיבור בריח מחסום הבטיחות אל ידית הלולאה בעזרת שני הברגים כאשר המכשיר מצויד בראש גוזם מברשת.

ראו למטה תיאור חלקים בתמונה D:

D-1	ידית	D-4	בריח מחסום בטיחות (עבור ראש גוזם מברשת בלבד)
D-2	בלוק הידוק	D-5	מוט נעילה
D-3	אום כנף		

הודעה: יישנם שני סוגים של מוטות נעילה, הקצר יותר הוא עבור ראש הגוזם. הארוך יותר הוא עבור ראש גוזם המברשת. היו זהירים על מנת לבחור את מוט הנעילה המתאים בעת השימוש במכשיר.

3. דחפו את ידית הלולאה אל המוט בחלק הקדמי של טבעת הסף. לעולם אל תניחו אותה בין טבעת הסף ואזור הידית האחורית (תמונה E).

הודעה: כווננו את ידית הלולאה בין טבעת הסף ותו האזהרה כאשר המכשיר מצויד בראש גוזם מברשת (תמונה F).

4. הכניסו את בלוק ההידוק אל חריץ הידית (תמונה G).
5. הרכיבו את מוט הנעילה, והדקו אותם קלות עם בורג הכנף. וודאו שידית הלולאה פונה כלפי מעלה ומצביעה לכיוון החלק העליון של הידית האחורית (תמונה H).
6. כווננו את ידית הלולאה בין טבעת הסף והתו עד אשר תמצאו עמדה נוחה בעת השימוש בגוזם.
7. נעלו את הדוושה של מוט הנעילה (תמונה I).

⚠ אזהרה: לעולם אין להפעיל את הכלי כאשר ידית הלולאה איננה נמצאת במקומה.

⚠ אזהרה: קבעו את ידית הלולאה בין טבעת הסף ותו האזהרה בלבד.

החלפה של ראש הגוזם עם להב בעל 3 שיניים

1. הוציאו את תקע החשמל מגוזם החוט

2. סובבו את הלהב על מנת ליישר את חריץ הגליל עם חור הנעילה של המוט בתיבת ההילוכים והחידו מייצב אל תוך החור (איור J).

3. סובבו את ראש הגוזם בכיוון השעון כדי להסיר אותו (איור J).

4. הסירו את אביזר המגן על ידי שחרור שלושת הברגים עם השוטף (תמונה K3).

הודעה: על מנת למנוע פציעה, עליכם ללבוש כפפות לפני כל פעולה אותה אתם מבצעים על הלהב בעל 3 השיניים.

5. הרכיבו את הגליל הפנימי ואת מכסה הגליל למקומם (תמונה L1).

6. הרכיבו את הלהב אל מוט המנוע, כאשר אתם מוודאים שהשטח של הלהב מיושר עם גבשושית הגליל הפנימי. הרכיבו את הגליל החיצוני ואת הבורג (תמונה L2). הדקו מראש את הבורג נגד כיוון השעון ביד.

7. העמידו את תיבת ההילוכים נגד משטח מוצק לתמיכה. עם די אחת החזיקו את מוט גוזם המברשת ועם היד השנייה אחזו במפתח הברגים הרב שימושי על מנת להדק את הבורג בכיוון החץ המסומן על גבי הגליל הפנימי (תמונה L3).

הפעלה

⚠ אזהרה: אל תניחו לעובדה שאתם מכירים את המוצר להפוך אתכם לפחות זהירים. זכרו שחוסר זהירות של שבריר אחד של שנייה מספיק לגרום לפציעה אישית חמורה.

⚠ אזהרה: ענדו תמיד משקפי הגנה, ביחד עם מגני שמיעה. אם לא תעשו זאת עצמיכם עלולים להיזרק אל תוך העיניים שלכם ועלולות להיגרם פציעות חמורות.

⚠ אזהרה: אל תעשו שימוש בחיבורים או אביזרים אשר לא הומלצו על ידי יצרן מוצר זה. השימוש בחיבורים או אביזרים אשר לא הומלצו על ידי היצרן עלול לגרום לפציעה חמורה.

⚠ אזהרה: על מנת למנוע פציעות אישיות חמורות, הוציאו את מחבר הסוללה מן השקע לפני ביצוע כל עבודות שירות, ניקיון, החלפת צרופות או הסרה של חומרים מן היחידה.

אתם יכולים להשתמש במוצר רק עבור המטרות למטה:

גיוזם: בשימוש להסרת דשא ועשבים כנגד קירות, גדרות, עצים ושוליים.

חיתוך: בשימוש לחיתוך דשא אשר קשה להגיע אליו עם מכסחות דשא רגילות.

הודעה: יש להשתמש במוצר רק עבור המטרות להן הוא יועד. כל שימוש אחר, לדוגמה גיזום קצוות, ייחשב לשימוש בלתי הולם.

הצמדה/הסרה של מארז הסוללה

A2 השתמשו רק עם מארזי הסוללה והמטענים הרשומים באיור

הטעינו לפני השימוש הראשון.

על מנת להתקין את כבל הסוללה (תמונה M)

יישור ▲ התקע של גוזם ▲ החוט. החדירו את התקע אל המכונה עד אשר החותם הירוק נעלם לגמרי בשקע.

על מנת להסיר

שחררו את כבל הסוללה מחריץ ההרכבה ומשכו את התקע מגוזם החוט.

הפעלה/כיבוי של גוזם החוט (תמונה N)

על מנת להפעיל

דחפו את דוושת הנעילה למצב "פועל", דחפו את לשון הנעילה קדימה ולאחר מכן שחררו את מתג ההדק. להדק יש שלבים על מנת לכוונן את המהירות. ככל שתמשכו את ההדק יותר, כך תגדל המהירות.

N-1	דוושת נעילה	N-3	מתג הדק
N-2	לשון נעילה		

על מנת לכבות

שחררו את מתג ההדק והעבירו את כפתור הנעילה חזרה למצב "כבוי"

אזהרה: נטקו תמיד את מחבר הסוללה מן השקע בעת הפסקות ולאחר סיום העבודה.

השימוש בגוזם הדשא

אזהרה: על מנת למנוע פציעות אישיות חמורות, השתמשו במשקפיים או משקפי מגן בעל זמן בו אתם מפעילים את החידה. לבשו מסכת פנים או מסכת אבק במקומות מאובקים.

נקו את האזור שיש לגזום לפני כל שימוש. הסירו עצמים כגון סלעים, שברי זכוכית, מסמרים, חוטים או כבלים העלולים להיתפס בחיבור החיתוך. נודאו שאין ילדים באזור, עוברי אורח ובעלי חיים. כמינימום, שימרו על כל הילדים, עוברי האורח ובעלי החיים במרחק של לפחות 15 מ'; עדיין יכול להיות סיכון לעוברי אורח מעצמים נהזקים. יש לעודד עוברי אורח להשתמש בהגנה על העיניים. אם אתם רואים מישהו מתקרב, עצרו את המנוע ואת חיבור החיתוך מיד.

לפני כל שימוש, בדקו עבור חלקים עם בלאי/ניזוקים

בדקו את ראש הבלטיטה, את המגן ואת ידית הלולאה והחליפו את החלקים הסדוקים, המלופפים, המעוקלים או הניזוקים בכל צורה שהיא.

להב חוט החיתוך בקצה המגן הופך להיות קשה עם הזמן. מומלץ להשחזר את להב חוט החיתוך בעזרת פצירה או החליפו בלהב חדש.

לאחר כל שימוש, נקו את הגוזם.

אזהרה: מחסומים בפתחי האוורור ימנעו מן האוויר לזרום אל תוך המנוע והתוצאה תהיה חימום יתר או נזקים למנוע.

- השתמשו רק בסבון עדין ובמטלית לחה על מנת לנקות את המכשיר. לעולם אל תרשו לנוזלים להיכנס אל תוך הכלי; לעולם אל תטבילו כל חלק של המכשיר בתוך נוזלים.
- שימרו על פתחי האוורור בתא המנוע נקיים מפני חלקי אשפה.

אזהרה: לעולם אל תעשו שימוש במים על מנת לנקות את הגוזם שלכם. הימנעו משימוש בממסים כאשר אתם מנקים חלקי פלסטיק. רוב חלקי הפלסטיק עלולים להיזק מסוגים שונים של ממסים מסחריים. השתמשו במטליות נקיות על מנת להסיר לכלוך, אבק, שמן, חומר סיכה וכו'.

כוונן אורך חוט החיתוך

ראש הגוזם מאפשר למפעיל לשחרר יותר חוט חיתוך ללא עצירת המנוע. כאשר חוט החיתוך הופך להיות משופשף או מראה סימני בלאי, ניתן לשחרר חוט חיתוך נוסף על ידי לחיצה קלה של ידית הבלטיטה על הקרקע בעת הפעלת הגוזם.

הודעה: שחרור החוט יהפוך להיות קשה יותר ככל שחוט החיתוך יהפוך להיות קצר יותר.

אזהרה: לעולם אל תסירו או תשנו את מערך להב חוט החיתוך. חוט חיתוך ארוך מדי יגרם לחימום יתר של המנוע והדבר עלול לגרום לפציעה אישית חמורה.

החלפת חוט החיתוך

הודעה: השתמשו תמיד בחוט החיתוך המתאים מניילון עם היקף קו אשר לא יעלה על 3.0 מ"מ. שימוש בחוט חיתוך אחר מאשר חוט החיתוך המצוין עלול לגרום לחימום יתר של קו הגוזם או לנזקים נוספים.

אזהרה: לעולם אין לעשות שימוש בחוט המחוזק על ידי מתכת, כבל, חבל וכדומה. דברים אלו עלולים להתנתק מן הגוזם ולהוות סכנה.

- הוציאו את תקע החשמל מגוזם החוט
- הסירו את חוט החיתוך הנותר, אם יש צורך בכך.
- חתכו 8 מ" של חוט חיתוך והכניסו את החוט אל חור ההרכבה בתוך העינית (איור O1). דחפו ומשכו את החוט מן הצד השני עד אשר יופיעו אורכים זהים של חוט משני צדדי הסליל.

1. להיות שייך אל DIN51818: NLGI-1 דרגת חדרית חרוט.
2. חומר סיכה על בסיס אסטר.
3. טמפרטורת הפעלה מאוד נמוכה, EP, גיזום מכני, עמידות לשריטות ומאפייני יציבות חיצונית.
4. על טמפרטורת ההפעלה להיות בין 40- ל-180°C. הסירו את תקע הסוללה ואת בורג האיטום. שמנו את תיבת ההילוכים דרך חור השמן.

⚠ אזהרה: אל תשמנו כאשר גוזם המברשת עדיין מחובר אל הסוללה או פועל.

ניקיון היחידה

- נקו את היחידה בעזרת מטלית לחה עם סבון עדין.
- אל תעשו שימוש בחומרי ניקוי חזקים על תא הפלסטיק או על גבי הידית. עלול להיגרם להם נזק על ידי שמנים ארומטיים למיניהם, כגון אורן או לימון, או על ידי ממסים כגון קרוסין. לחות עלולה גם לגרום לסכנת שוק חשמלי. נקו כל לחות על ידי מטלית רכה ויבשה.

אחסון היחידה

- נתקו את מחבר הסוללה מן השקע ומגוזם החוט כאשר לא נעשה בו שימוש.
- נקו את היחידה ביסודיות לפני אחסונה.
- אחסנו את היחידה במקום יבש, מאוורר היטב, נעולה או המקום גבוה, הרחק מהישג ידם של ילדים. אל תאחסנו את היחידה קרוב לחומרי דשן, חומרי דלק או כימיקלים אחרים.
- השתמשו במכסי להב עבור להבי מתכת בעת הובלה ואחסון.

לשמור על הסביבה

- אל תיזרקו ציוד חשמלי, מטעני סוללות וסוללות ביחד עם אשפה ביתית! קחו מוצרים אלו למרכז מחזור מוסמך ו-וודאו שהם זמינים לאיסוף בנפרד. יש להחזיר כלים חשמליים אל מתקן מחזור המתאים לסביבה.



4. לחצו, בעוד אתם מסובבים את מכסה ההרכבה התחתון בכיוון החץ, על מנת ללפף את החוט מסביב לסליל עד אשר בערך 41 ס"מ של חוט יישארו בכל צד (איור O2).
5. לחצו על מכסה ההרכבה התחתון כלפי מטה בעוד אתם מושכים את החוטים באופן ידני על מנת לקדם את החוט ולבדוק אם ראש הגוזם הורכב באופן נכון.

כאשר חוט החיתוך יוצא מציאת החוט או כאשר חוט החיתוך איננו משתחרר בלחיצה על ראש הגוזם, בצעו את ההוראות בשלבים הבאים:

1. לחצו על לשוניות השחרור על המכסה העליון והסירו את מכסה ההרכבה התחתון על ידי משיכתו החוצה בקו ישר (איור K1 ו-K2).
2. הסירו את חוט החיתוך מן הסליל.
3. עם יד אחת המחזיקה את מכלול המכסה התחתון, השתמשו ביד השנייה כדי לאחוז במכלול המכסה התחתון ויישרו את הלשוניות על המכסה העליון אל החורים במכלול המכסה התחתון (איור O3); השתמשו בכף היד שלכם על מנת ללחוץ על מכלול המכסה התחתון עד אשר הלשוניות ננעלות עם המכסה העליון.
4. עקבו אחר ההוראות בחלק «החלפת חוט החיתוך» על מנת להטעין מחדש את חוט החיתוך.

תחזוקה

⚠ אזהרה: במקרה של עבודות תיקון, השתמשו רק בחלקי חילוף זהים. בדקו ותחזקו את המכשיר באופן סדיר. על מנת להבטיח בטיחות ואמינות, יש לבצע את כל התיקונים וההחלפות בעזרת טכנאי שירות מוסמך.

⚠ אזהרה: כלי הסוללה לא צריכים להיות מחוברים אל החשמל; לכן, הם תמיד נמצאים במצב הפעלה. על מנת למנוע פציעות אישיות חמורות, היו מאוד זהירים בעת ביצוע עבודות תחזוקה, עבודות שירות או בעת הטענת ציבור החיתוך או חיבורים אחרים.

⚠ אזהרה: על מנת למנוע פציעות אישיות חמורות, הוציאו את מחבר הסוללה מן השקע לפני ביצוע כל עבודות שירות, ניקיון, החלפת צרופות או הסרה של חומרים מן היחידה.

שימון תיבת ההילוכים

עבור הביצועים הטובים ביותר וחיים ארוכים יותר, שמנו את תיבת ההילוכים על חומר סיכה מיוחד (4-5 גרם בכל פעם) לאחר כל 50 שעות הפעלה.

על חומר הסיכה המיוחד לעמוד בדרישות הבאות.

איתור וטיפול בבעיות

פתרון	סיבה	בעיה
<ul style="list-style-type: none"> ■ הצמידו את מארז הסוללה אל גוזם הדשא. ■ הכניסו מחדש את מארז הסוללה עם המטען הנכון. ■ הטעינו את מארז הסוללה. 	<ul style="list-style-type: none"> ■ מארז הסוללה איננו צמוד לחוט הגוזם. ■ לא מתבצע חיבור חשמלי בין הגוזם לסוללה. ■ קיבולת מארז הסוללה ריקה. 	<p>על מנת להפעיל</p>
<ul style="list-style-type: none"> ■ נתקו את מחבר הסוללה מן השקע והרכיבו את המגן על גבי גוזם הדשא. ■ השתמשו בחוט החיתוך המתאים מניילון עם היקף קו אשר לא יעלה על 3.0 מ"מ. ■ הפסיקו את פעולת הגוזם, הסירו את הסוללה והסירו את הדשא מן המוט ומראש הגוזם. 	<ul style="list-style-type: none"> ■ המגן איננו מורכב על גבי הגוזם, כאשר התוצאה היא חוט חיתוך ארוך מדי ועומס יתר של המנוע. ■ נעשה שימוש בחוט חיתוך כבד מדי. ■ מוט המנוע או ראש הגוזם מלאים בדשא. 	<p>המכשיר הפסיק את פעולתו</p>
<ul style="list-style-type: none"> ■ המנוע יחזור לפעילות רגילה ברגע בו העומס יוסר. עבור שימוש ממושך, הפחיתו את העומס על המכשיר. 	<ul style="list-style-type: none"> ■ ישנו עומס יתר של המנוע. 	
<ul style="list-style-type: none"> ■ אפשרו למארז הסוללה או לגוזם להתקרר עד לטמפרטורה של פחות מ-67°C. 	<ul style="list-style-type: none"> ■ מארז הסוללה או גוזם הדשא חמים מדי. 	
<ul style="list-style-type: none"> ■ חברו מחדש את המחבר. ■ הטעינו את מארז הסוללה. 	<ul style="list-style-type: none"> ■ מחבר מארז הסוללה מנותק מן המכשיר. ■ קיבולת מארז הסוללה ריקה. 	

פתרון	סיבה	בעיה
<ul style="list-style-type: none"> ■ הפסיקו את פעולת הגוזם, הסירו את הסוללה והסירו את הדשא ממוט המנוע ומראש הגוזם. ■ הסירו את הסוללה, החליפו את חוט החיתוך; עקבו אחר ההוראות בחלק «החלפת קו החיתוך» הנמצא במדריך זה. ■ ההסירו את הסוללה ונקו את מכסה ההרכבה התחתון, את הסליל ואת המכסה העליון. ■ הסירו את הסוללה, הסירו את חוט החיתוך מן הסליל ולפפו מחדש; עקבו אחר ההוראות בחלק «החלפת קו החיתוך» הנמצא במדריך זה. ■ הסירו את הסוללה ומשכו את החוטים כאשר באופן חלופי אתם לוחצים כלפי מטה ומשחררים את ראש הגוזם. 	<ul style="list-style-type: none"> ■ מוט המנוע או ראש הגוזם מלאים בדשא. ■ אין מספיק חוט בראש הגוזם. ■ ראש הגוזם מלוכלך. ■ חוט החיתוך מפותל בתוך ראש הגוזם. ■ חוט החיתוך קצר מדי. 	<p>לא ניתן לשחרר את חוט החיתוך.</p>
<ul style="list-style-type: none"> ■ חתכו עשבים לכמה קטעים מחלקם העליון אל רמת הקרקע. 	<ul style="list-style-type: none"> ■ גיזום של דשא גבוה ברמת הקרקע. 	<p>הדשא מלוכף סביב ראש הגוזם ותא המנוע</p>

אחריות

מדיניות האחריות של EGO

אנא בקרו באתר egopowerplus.com עבור התנאים וההתניות השלמים של מדיניות האחריות של EGO.

اقرأ جميع التعليمات!

اقرأ دليل التشغيل



رموز السلامة

تحذير: قد يؤدي تشغيل أي آلة عاملة بالطاقة إلى دخول أي أشياء غريبة في عينيك، وهو ما قد يؤدي إلى إلحاق أضرار خطيرة بالعين. قبل بدء تشغيل الآلة العاملة بالطاقة، احرص دائماً على ارتداء واقيات العينين أو نظارات حماية العينين ذات دروع جانبية، ودرع واقي لكامل الوجه عند اللزوم. نوصي بارتداء قناع السلامة واسع الرؤية لاستخدامه فوق نظارات العين أو نظارات السلامة العادية ذات الدروع الجانبية.

تحذير: المخاطر المتبقية! الأشخاص الذين تم تركيب أجهزة طبية إلكترونية لهم، مثل منظم ضربات القلب، يجب عليهم استشارة الطبيب قبل استخدام هذا المنتج. لأن تشغيل معدات كهربائية بالقرب من منظم ضربات القلب قد ينشأ عنه خلل أو فشل في أداء منظم ضربات القلب.



تنبيه سلامة

ارتد أدوات حماية العينين-ارتد دائماً نظارات الحماية المزودة بواقبات على الجانبين، وينبغي ارتداء واقي لكامل الوجه أثناء تشغيل هذا المنتج.



ارتد أدوات حماية الأذنين-احرص دائماً على ارتداء أدوات حماية الأذنين عند تشغيل هذا المنتج.



ارتد أدوات حماية الرأس-احرص على ارتداء خوذة أمان صلبة معتمدة لحماية رأسك.



لا تقم بتثبيت شفرات جزّ مستديرة.



عرض الجزّ-الحد الأقصى لعرض جزّ الجزّازة العاملة بالخيط



احرص على بقاء الأشخاص الآخرين والحيوانات الأليفة على مسافة لا تقل عن 15 متراً بعيداً عن الجزّازة العاملة بالخيط أثناء استخدامها.



مستوى قوة الصوت المضمون. انبعاثات الضوضاء في البيئة وفقاً لتوجيه الاتحاد الأوروبي.



لا يجب التخلص من الأجهزة الكهربائية المستهلكة في النفايات المنزلية. توجه بالجهاز إلى مركز إعادة تدوير معتمد.

n_0

السرعة بدون حمل-سرعة الدوران، بدون حمل



تيار مستمر



للحد من خطر التعرض لإصابة، ينبغي على المستخدم قراءة دليل التشغيل.



ارتد حذاء الحماية-احرص على ارتداء أحذية أمان مانعة للانزلاق عند استخدام هذه الآلة.



ارتد قفازات الحماية-احرص على ارتداء قفازات لليدين عند التعامل مع الشفرة أو الواقي الخاص بها.



احذر من قوة انفراج الشفرة-حذّر مشغل الآلة من خطر قوة انفراج الشفرة.



قطر الخيط-قطر خيط الجزّ المصنوع من النايلون



فالأشياء المتطايرة من الآلة قد ترتد وتؤدي إلى إصابات شخصية أو تلف للممتلكات. احرص على بقاء الأشخاص الآخرين والحيوانات الأليفة بعيداً عن قاطع الأعصان أثناء استخدامه.



لا تستخدم المنتج تحت المطر أو أن تتركه في مكان مفتوح أثناء هطول المطر.



هذا المنتج متوافق مع توجيهات شهادة الجودة الأوروبية (CE) المعمول بها.

V

الجهد الكهربائي

.../min

في الدقيقة

kg

كيلوجرام

المواصفات

الجهد الكهربائي	56 فولت \equiv
السرعة بدون حمل	حتى 5800/دقيقة
آلية الجَز	رأس المصد
نوع خيط الجَز	خيط مجدول من النايلون 3.0 مم
عرض الجَز	38 سم
درجة حرارة التشغيل الموصى بها	0 - 40 درجة مئوية
درجة حرارة التخزين الموصى بها	20- 70 درجة مئوية
درجة حرارة الشحن المثالية	5 - 40 درجة مئوية
الوزن (بدون وحدة البطارية)	5.8 كجم
مستوى قوة الصوت المَقْتَر L_{WA}	94.2 ديسيبل (A)
مستوى ضغط الصوت عند أذن مشغل الآلة L_{PA}	1.8=K ديسيبل (A)
مستوى قوة الصوت المضمون L_{WA} (تم قياسه وفقاً للمعيار 2000/14/EC)	74.15 ديسيبل (A)
	2.5=K ديسيبل (A)
مقبض المساعدة	3.2 م/ثانية ²
القيمة المقدرة للاهتزاز a_h	1.5=K م/ثانية ²
المقبض الخلفي	2.3 م/ثانية ²
	1.5=K م/ثانية ²

8. الزناد

9. المقبض الخلفي

10. رأس الجزارة (رأس المصد)

11. لسان التحرير

12. شفرة قطع الخيط

13. حاجز الأمان (لرأس قاطع الأعصان فقط)

14. قضيب النقل لحاجز الأمان (لرأس قاطع الأعصان فقط)

15. الشفة الخارجية (لرأس قاطع الأعصان فقط)

16. صامولة (لرأس قاطع الأعصان فقط)

17. مسمار

18. مفتاح ربط سداسي (الأنكيه)

التجميع

⚠ تحذير: إذا حدث تلف أو فقد في أي أجزاء، لا تقم بتشغيل هذا المنتج إلا بعد استبدال الأجزاء. استخدام هذا المنتج مع وجود أجزاء تالفة أو مفقود قد يؤدي إلى وقوع إصابات شخصية خطيرة.

⚠ تحذير: لا تحاول إجراء أي تعديلات على هذا المنتج أو ابتداء ملحقات غير موصى بها للاستخدام مع الجزارة العاملة بالخيط هذه. أي تغيير أو تعديل من هذا النوع يعتبر سوء استخدام، وقد يؤدي إلى وضع خطر قد يتسبب في وقوع إصابات شخصية خطيرة محتملة.

⚠ تحذير: لمنع بدء التشغيل غير المقصود، والذي قد يؤدي إلى وقوع إصابات شخصية خطيرة، احرص دائماً على فصل قابس البطارية من المقبس عند تجميع الأجزاء.

⚠ تحذير: قم بتثبيت قضيب حاجز الأمان عندما تكون الآلة مجهزة برأس قاطع الأعصان.

تركيب الواقي

⚠ تحذير: احرص دائماً على ارتداء قفازات عند تركيب الواقي أو استبداله. كن حذراً من الشفرة الموجودة عند الواقي، واحم يدك من التعرض للجرح.

⚠ تحذير: لا يجب أبداً تشغيل الآلة دون تثبيت الواقي بإحكام في مكانه. يجب أن يكون الواقي دائماً على الآلة لحماية المستخدم! عندما يكون الواقي مثبتاً، لا تحاول أبداً خلع الواقي أو تعديل وضعه؛ وعند الحاجة لاستبداله، ينبغي أن يقوم بذلك فني صيانة متخصص!

فك المسامير من الواقي (الشكل B) وإخلعهما، ثم قم بمحاذاة فتحات تركيب الواقي مع فتحات التجميع، ثم ثبت الواقي على قاعدة العمود بالمسامير، بالإضافة للوردتين الزنبركيتين (الشكل C).

⚠ تحذير: احرص على تثبيت الواقي وفقاً للشكلين B و C، لأن أي تثبيت يخالف ذلك قد يتسبب في مخاطر كبيرة!

- القيمة الكلية للاهتزاز الموضحة تم قياسها وفقاً لطريقة اختبار قياسية وقد تستخدم لمقارنة أداة بأخرى؛
- كما يمكن استخدام القيمة الكلية للاهتزاز الموضحة في التقييم التمهيدي للتعرض.

ملاحظة: قد تختلف انبعاثات الاهتزاز أثناء الاستخدام الفعلي للآلة العاملة بالطاقة عن القيمة المعلنة التي يتم استخدامها فيها؛ ولحماية مشغل الآلة، ينبغي على المستخدم ارتداء قفازات وواقيات للأذن في ظروف الاستخدام الفعلية.

قائمة المحتويات (الشكل A1)

الوصف

تعرف على الجزارة العاملة بالخيط (الشكل A1)

1. مقبض
2. ذراع النقل
3. عتبة
4. مقبض العروة
5. الجزارة العاملة بالخيط
6. تجميع الواقي
7. عمود

تركيب مقبض العروة وضبطه

1. أوقف المحرك وافصل قابس البطارية من المقبض، إذا كانت مركباً.
2. فك الصامولة المنجحة لفصل مقبض العروة القابل للضبط (الشكل D).

ملاحظة: قم بتركيب تجميعية حاجز الأمان على مقبض العروة بالمسمارين عندما تكون الآلة مجهزة برأس قاطع الأغصان. الشكل D انظر أذناه للتعرف على شرح الأجزاء:

D-1	مقبض العروة	D-4	حاجز الأمان (الرأس قاطع الأغصان فقط)
D-2	كتلة المشبك	D-5	قضيب القفل
D-3	صامولة منجحة		

ملاحظة: هناك نوعان من قضيب القفل، الأقصر منهما مخصص لرأس الجزازة. أما الأطول فمخصص لرأس قاطع الأغصان. احذر من اختيار قضيب القفل غير المناسب عند استخدام الآلة.

3. ادفع مقبض العروة على العمود أمام العتبة. ولا تضعه أبداً بين العتبة ومنطقة المقبض الخلفي. (الشكل E).

ملاحظة: اضغط مقبض العروة بين العتبة والملصق التحذيري إذا كانت الآلة مجهزة برأس قاطع الأغصان (الشكل F).

4. أدخل كتلة المشبك في فتحة المقبض (الشكل G).
5. ركب قضيب القفل، واربطه بشكل مسبق باستخدام الصامولة المنجحة. احرص على أن يكون مقبض العروة متجهاً لأعلى ويشير إلى ناحية الجزء العلوي من المقبض الخلفي (الشكل H).

6. اضبط مقبض العروة بين العتبة والملصق إلى أن تجد الموضع المريح عند استخدام الجزازة.

7. اقلع ذراع قضيب القفل (الشكل I).

تحذير: لا يجب أبداً تشغيل الآلة دون تثبيت مقبض العروة بإحكام في مكانه.

تحذير: ما عليك سوى تثبيت مقبض العروة بين العتبة والملصق.

استبدال رأس الجزازة بالشفرة ثلاثية الأسنان

1. اخلع قابس الطاقة من جزازة السياج.
2. أدر رأس الطاقة كي تُحاذي الفتحة الموجودة في الشفة مع فتحة قفل العمود الموجودة في صندوق ناقل الحركة، وأدخل قضيب موازنة في الفتحة (الشكل J).
3. أدر رأس الجزازة في اتجاه عقارب الساعة لفكها (الشكل J).
4. اخلع ملحق الواقي عن طريق فك المسمارين الثلاثة مع الوردة (الشكل K3).

ملاحظة: للحماية من الإصابات، يجب عليك ارتداء قفازات قبل أي تشغيل لآلة مع وجود الشفرة ثلاثية الأسنان.

5. قم بتركيب الشفة الداخلة وغطاء الشفة في المكان المناسب (الشكل L1).

6. قم بتركيب الشفرة على عمود المحرك، مع التأكد من استواء سطح الشفرة مع سطح نئو الشفة الداخلية. قم بتركيب الشفة الخارجية والصامولة (الشكل L2). اربط الصامولة بشكل مسبق عكس اتجاه عقارب الساعة باليد.

7. ضع صندوق ناقل الحركة على سطح صلب كي يدعمه. أمسك عمود قاطع الأغصان بإحدى يديك، وباليد الأخرى أمسك مفتاح الربط متعدد الوظائف واربط به الصامولة وفقاً لاتجاه أيقونة السهم الموضحة على الشفة الخارجية (الشكل L3).

التشغيل

تحذير: لا تسمح لاعتيادك على تشغيل هذا المنتج أن يجعلك مستهتراً عند التعامل معه. ولا تنس أن الاستهتر جزء من الثانية كافٍ للتسبب في حدوث إصابات خطيرة.

تحذير: ارتد بشكل دائم أدوات حماية العينين، بالإضافة إلى أدوات حماية السمع. قد ينجم عن عدم الامتثال لذلك دخول أشياء في عينيك، واحتمالية وقوع إصابات خطيرة.

تحذير: لا تستخدم أي مرفقات أو ملحقات سوى تلك الموصى بها من قبل الشركة الصانعة لهذا المنتج. لأن استخدام مرفقات أو ملحقات غير موصى بها قد يؤدي إلى وقوع إصابات شخصية خطيرة.

تحذير: لمنع التعرض لإصابات شخصية خطيرة، أفضل موصل البطارية من المقبض قبل إجراء أعمال الصيانة، أو التنظيف، أو تغيير المرفقات، أو إزالة المواد من الوحدة.

يمكنك استخدام هذا المنتج للأغراض الموضحة أذناه:

جز السياج: تستخدم في إزالة العشب والحشائش الضارة الموجودة عند الجدران والأسوار والأشجار والحدود.

الجز: تستخدم في جزّ العشب الذي يصعب الوصول إليه باستخدام جزّارة عادية.

ملاحظة: يجب استخدام الآلة للغرض المحدد لها فقط. أي استخدام آخر، على سبيل المثال جزّ السياج، يعد حالة من حالات سوء الاستخدام.

تركيب/خلع كابل البطارية

لا تستخدم الآلة إلا مع مجموعات بطارية وشواحن EGO المدرجة في الشكل A2.

اشحن البطارية بالكامل قبل الاستخدام لأول مرة.

تركيب كابل البطارية (الشكل M)

قم ▲ بمحاذاة القابس مع ▲ الجزازة العاملة بالخيط. أدخل القابس في الآلة إلى أن تختفي السدادة الخضراء بأكملها في المقبض.

للخلع

حرر سلك البطارية من تجويف التركيب، واسحب القابس للخارج من الجزارة العاملة بالخيوط.

بدء تشغيل/إيقاف الجزارة العاملة بالخيوط (الشكل N)

لبد التشغيل

ادفع ذراع القفل إلى موضع التشغيل «NO»، وادفع لسان القفل للأمام، ثم اضغط مع التثبيت على مفتاح السرعة الزنبركي. يقوم المفتاح الزنبركي بضبط السرعة دون تدرج. فكلما سحبت المفتاح الزنبركي، زادت السرعة.

N-1	ذراع القفل	N-3	مفتاح السرعة الزنبركي
N-2	لسان القفل		

للإيقاف

حرر مفتاح السرعة الزنبركي وأعد دفع زر القفل إلى وضع الإيقاف «OFF».

تحذير: احرص دائماً على فصل قابس البطارية من المقبس أثناء الاستراحة وبعد الانتهاء من العمل.

استخدام الجزارة العاملة بالخيوط

تحذير: لتجنب التعرض لإصابات خطيرة، ارتد واقيات العينين و نظارات حماية العينين في جميع الأوقات أثناء تشغيل هذه الوحدة. ارتد قناعاً للوجه أو قناعاً أترية في الأماكن كثيرة الأتربة.

تنظ منطقة الجرز قبل كل استخدام لآلة. تخلص من جميع الأشياء مثل الصخور أو الزجاج المكسور أو المسامير أو الأسلاك أو الخيوط التي قد تدخل في ملحق الجرز أو تعيقه. أبق المنطقة خالية من الأطفال والمرافقين والحيوانات الأليفة. على الأقل، اجعل الأطفال والمرافقين والحيوانات الأليفة على مسافة لا تقل عن 15 متراً؛ فقد يكون هناك خطر تعرض المرافقين للأشياء المتطايرة. يجب تشجيع المرافقين على ارتداء أدوات حماية العينين. عند اقتراب أي شخص، أوقف المحرك وملحق الجرز على الفور.

قبل كل استخدام، افحص الأجزاء التالفة/المتآكلة

افحص رأس المصد والواقي ومقبض العروة، واستبدل الأجزاء المشققة أو الملتوية أو المثنية أو التالفة بأي شكل من الأشكال. قد تصبح شفرة قطع الخيوط الموجودة على حافة الواقي غير حادة مع مرور الوقت. من الموصى به أن تقوم بشحذها من إنٍ لأخر باستخدام مبرد أو استبدالها بشفرة جديدة.

تنظ الجزارة بعد كل استخدام.

تنبيه: العوائق الموجودة في الفتحات قد تمنع الهواء من التدفق في هيكل المحرك، وهو ما قد يؤدي إلى السخونة المفرطة أو تلف المحرك.

- استخدم فقط صابوناً خفيفاً وقطعة قماش مبللة عند تنظيف الآلة. لا تسمح أبداً بدخول أي سوائل إلى داخل الآلة؛ ولا تغمر أي جزء منها في السوائل بأي حال من الأحوال.
- حافظ على خلو فتحات الهواء الموجودة في هيكل المحرك من العوائق في جميع الأوقات.

تحذير: لا تستخدم أبداً الماء عند تنظيف الجزارة. تجنب استخدام المنظفات عند تنظيف الأجزاء البلاستيكية. غالبية الأجزاء البلاستيكية تكون عرضة للتلف بفعل أنواع متعددة من المنظفات المسائلة المتاحة في الأسواق. استخدم قطع قماش نظيفة لإزالة الأوساخ والأتربة والزيت والشحم وما شابههم.

تعديل طول خيط الجرز

رأس الجزارة يتيح للمشغل تحرير المزيد من خيط الجرز دون إيقاف المحرك. بعد أن يصبح الخيط منسلاً أو متهاكاً، يمكن تحرير خيط إضافي عن طريق نفرة خفيفة بكرة المصد على الأرض أثناء تشغيل الجزارة.

ملاحظة: سيصبح تحرير الخيط أكثر صعوبة عندما يصبح خيط الجرز قصيراً للغاية.

تحذير: لا تقم بخلع أو تعديل تجميعية شفرة قطع الخيط. الطول الزائد في الخيط قد يتسبب في السخونة المفرطة للمحرك، ما قد يؤدي إلى التعرض لإصابات شخصية خطيرة.

استبدال الإيقاف

ملاحظة: احرص دائماً على استخدام خيط النايلون الموصى به أو الأ يتخطى قطره 3.0 مم. لأن استخدام خيط آخر غير الموصى به قد يتسبب في السخونة المفرطة للجزارة العاملة بالخيوط أو تعرضها للتلف.

تحذير: لا تقم أبداً باستخدام خيط معزز معدني، أو سلك معدني، أو حبل، أو ما شابه ذلك. لأن تلك الأشياء قد تنقطع وتتسبب في تطاير أشباه خطيرة.

- اخلع قابس الطاقة من جزارة السياج.
- اخلع خيط الجرز المتبقي، عند اللزوم.
- اقطع خيط جرز طوله 8 سم، وأدخل الخيط في فتحة التركيب الموجودة داخل الثقب (الشكل O1). ادفع الخيط واسحب من الجانب الأخر حتى ظهور نفس الطول للخيوط على كلا جانبي ملف الخيوط.
- أثناء دوران تجميعية الغطاء السفلي في اتجاه السهم، اضغط لسحب الخيط على ملف الخيوط إلى أن يظهر حوالي 14 سم من الخيط على كل جانب (الشكل O2).
- اضغط لأسفل على تجميعية الغطاء السفلي بينما تسحب من الخيوط، لتدفع الخيط للأمام بدياً ولتتحقق من التجميع السليم لرأس الجزارة.

عند انقطاع خيط الجرز من فتحة الخيط، أو عدم تحرر خيط الجرز عند نقر رأس الجزارة، اتبع الخطوات أدناه:

- اضغط على السنّة التحرير الموجودة بالغطاء العلوي، واخلع تجميعية الغطاء السفلي عن طريق سحبها للخارج بشكل مستقيم (انظر الشكل K1 و K2).
- أخرج خيط القطع من ملف الخيوط.

3. بينما تمسك بإحدى يديك بتجميعية الغطاء السفلي، استخدم اليد الأخرى في الإمساك بتجميعية الغطاء السفلي ومحاذاة الألسنة الموجودة بالغطاء العلوي مع الفتحات الموجودة في تجميعية الغطاء السفلي (الشكل O3)؛ استخدم راحة يدك في الضغط على تجميعية الغطاء السفلي إلى أن تتشبك الألسنة مع الغطاء العلوي.

4. اتبع التعليمات الواردة في قسم «استبدال الخيط» لإعادة تحميل خيط الجرّ.

الصيانة

تحذير: استخدم فقط قطع غيار أصلية عند إجراء أعمال الصيانة. قم بفحص الآلة وصيانتها بانتظام. لضمان السلامة والاعتمادية، يجب تنفيذ جميع أعمال الإصلاح من قبل فني خدمة مؤهل.

تحذير: لا تحتاج الآلات العاملة بالبطارية إلى توصيلها بمصدر تيار كهربائي؛ ولهذا فهي دائماً ما تكون جاهزة للتشغيل. لمنع وقوع إصابات شخصية خطيرة، تعامل بحذر شديد عند تنفيذ أعمال الصيانة، أو الخدمة، أو تغيير ملحق الجرّ أو الملحقات الأخرى.

تحذير: لمنع التعرض لإصابات شخصية خطيرة، افصل موصل البطارية من المقيس قبل إجراء أعمال الصيانة، أو التنظيف، أو تغيير المرفقات المضافة، أو إزالة المواد من الوحدة.

تشحيم صندوق ناقل الحركة

لتحقيق أفضل تشغيل وأطول عمر للآلة، قم بتشحيم صندوق ناقل الحركة بشحم خاص (4-5 جم في كل مرة) بعد كل 50 ساعة تشغيل.

يجب أن يلبي الشحم الخاص المتطلبات التالية:

1. أن ينتمي لدرجة الإختراق المخروطي DIN51818: NLGI-1.
2. شحم قائم على ملح الإستر.
3. بدء التشغيل المثالي في درجات الحرارة المنخفضة، والضغط الفائق، والجرّ الميكانيكي، والمقاومة أثناء الكشط، وخصائص الثبات التأكسدية.
4. يجب أن تكون درجة حرارة التشغيل ما بين 40 ~ 180 درجة مئوية. اخلع قابس البطارية ومسمار القفل. قم بتشحيم صندوق ناقل الحركة عبر فتحة الزيت.

تحذير: لا تقم بالزربيت أثناء توصيل قاطع الأغصان بالبطارية أو تشغيلها.

تنظيف الوحدة

- نظف الوحدة باستخدام قطعة قماش مبللة مع منظف خفيف.

- لا تستخدم أي منظفات قوية على الهيكل البلاستيكي أو المقيض. لأنهم معرضون للتلف بفعل زيوت عطرية معينة، مثل الصنوبر والليمون، ويفعل محاليل مثل الكيروسين. كما قد تتسبب الرطوبة في التعرض لصدمة كهربائية. امسح أي بلل بقطعة قماش جافة ناعمة.

تخزين الوحدة

- افصل قابس البطارية من مقيس الجازاة العاملة بالخيط عند عدم استخدامها.
- نظف الآلة جيداً قبل تخزينها.
- خزن الوحدة في منطقة جافة جيدة التهوية، بحيث يكون في مكان مقفل أو عالٍ عن سطح الأرض بعيداً عن متناول أيدي الأطفال. لا تقم بتخزين الوحدة على الأسمدة أو البنزين أو المواد الكيميائية الأخرى، أو بجوارها.
- استخدم غطاء نقل لتغطية الشفرات المعدنية أثناء عملية النقل والتخزين.

حماية البيئة

لا تتخلص من المعدات الكهربائية أو البطارية المستهلكة أو الشاحن في النفايات المنزلية! بل توجه بهذا المنتج إلى مركز إعادة تدوير معتمد ليكون متاحاً للفرز بشكل منفرد. تجنب إعادة الآلات الكهربائية إلى مرفق إعادة تدوير صديق للبيئة.



استكشاف الأخطاء وإصلاحها

المشكلة	السبب	الحل
لا يمكن بدء التشغيل	<ul style="list-style-type: none"> مجموعة البطارية غير مركبة في الجِزَازَة العاملة بالخيط. لا يوجد اتصال كهربائي بين الجِزَازَة والبطارية. نقد شحن مجموعة البطارية. 	<ul style="list-style-type: none"> قم بتركيب مجموعة البطارية في الجِزَازَة العاملة بالخيط. أعد تركيب مجموعة البطارية باستخدام الشاحن المحدد. اشحن مجموعة البطارية.
تتوقف الوحدة عن العمل	<ul style="list-style-type: none"> الواقى غير مركب على الجِزَازَة، وهو ما يؤدي إلى خيط قطع طويل للغاية ووجود حمل زائد على المحرك. تم استخدام خيط قطع ثقيل. هناك عشب ملتف حول عمود المحرك أو رأس الجِزَازَة. 	<ul style="list-style-type: none"> افصل قابس مجموعة البطارية من المقبس وركب الواقى على الجِزَازَة. استخدم خيط الجِزَازَة الموصى به من النايلون بحيث لا يزيد قطره عن 3.0 مم. أوقف الجِزَازَة، واخلع البطارية، وتخلص من العشب الملتف على العمود ورأس الجِزَازَة.
	<ul style="list-style-type: none"> هناك حمل زائد على المحرك. 	<ul style="list-style-type: none"> ستعود الآلة العمل عند التخلص من الحمل الواقع عليها. للتشغيل المتواصل، قلل الحمل عن الآلة.
	<ul style="list-style-type: none"> مجموعة البطارية أو الجِزَازَة العاملة بالخيط ساخنة للغاية. 	<ul style="list-style-type: none"> اترك مجموعة البطارية أو الجِزَازَة تبرد إلى أن تهبط درجة الحرارة إلى ما دون 67 درجة مئوية.
	<ul style="list-style-type: none"> قابس مجموعة البطارية مفصول من الآلة. نقد شحن مجموعة البطارية. 	<ul style="list-style-type: none"> أعد توصيل القابس مرة أخرى. اشحن مجموعة البطارية.
لا يمكن تحرير خيط الجز.	<ul style="list-style-type: none"> هناك عشب ملتف حول عمود المحرك أو رأس الجِزَازَة. لا يوجد خيط كافٍ في رأس الجِزَازَة. رأس الجِزَازَة متسخ. الخيط متشابك في رأس الجِزَازَة. الخيط قصير للغاية. 	<ul style="list-style-type: none"> أوقف الجِزَازَة، واخلع البطارية، وتخلص من العشب الملتف على عمود المحرك ورأس الجِزَازَة. اخلع البطارية واستبدل خيط الجِزَازَة واتبع التعليمات الواردة في قسم "استبدال الخيط" من هذا الدليل. اخلع البطارية، ونظف جميع الغطاء السفلي وملف الخيوط والغطاء العلوي. اخلع البطارية، واخلع الخيط من ملف الخيوط وأعد لفة؛ واتبع التعليمات الواردة في قسم "استبدال الخيط" من هذا الدليل. اخلع البطارية واسحب الخيوط بينما تقوم بشكل متناوب بالضغط على رأس الجِزَازَة لأسفل ثم تحريرها.

المشكلة	السبب	الحل
تلتف الحشائش حول رأس الجزّارة وهيكل المحرك	■ جزّ الحشائش الطويلة عند مستوى الأرض.	■ يجب أن يكون جز الحشائش الضارة على مراحل من الأعلى حتى مستوى الأرض.

الضمان

سياسة ضمان EGO

تفضل بزيارة الموقع الإلكتروني egopowerplus.com للتعرف على الشروط والأحكام الكاملة الخاصة بسياسة ضمان EGO.

