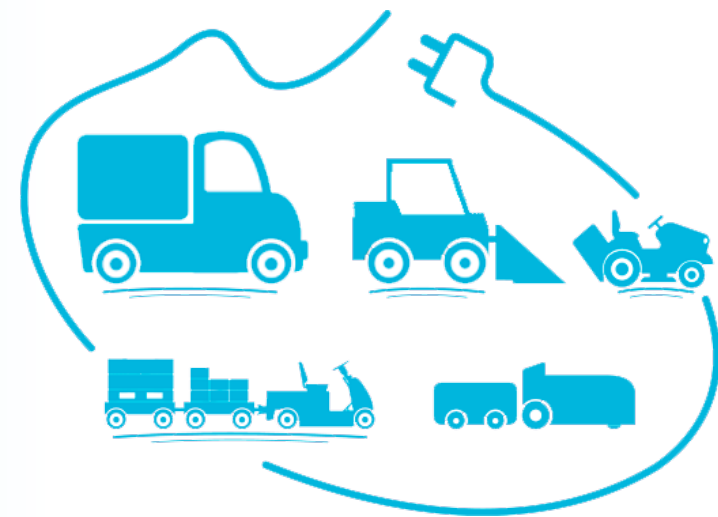
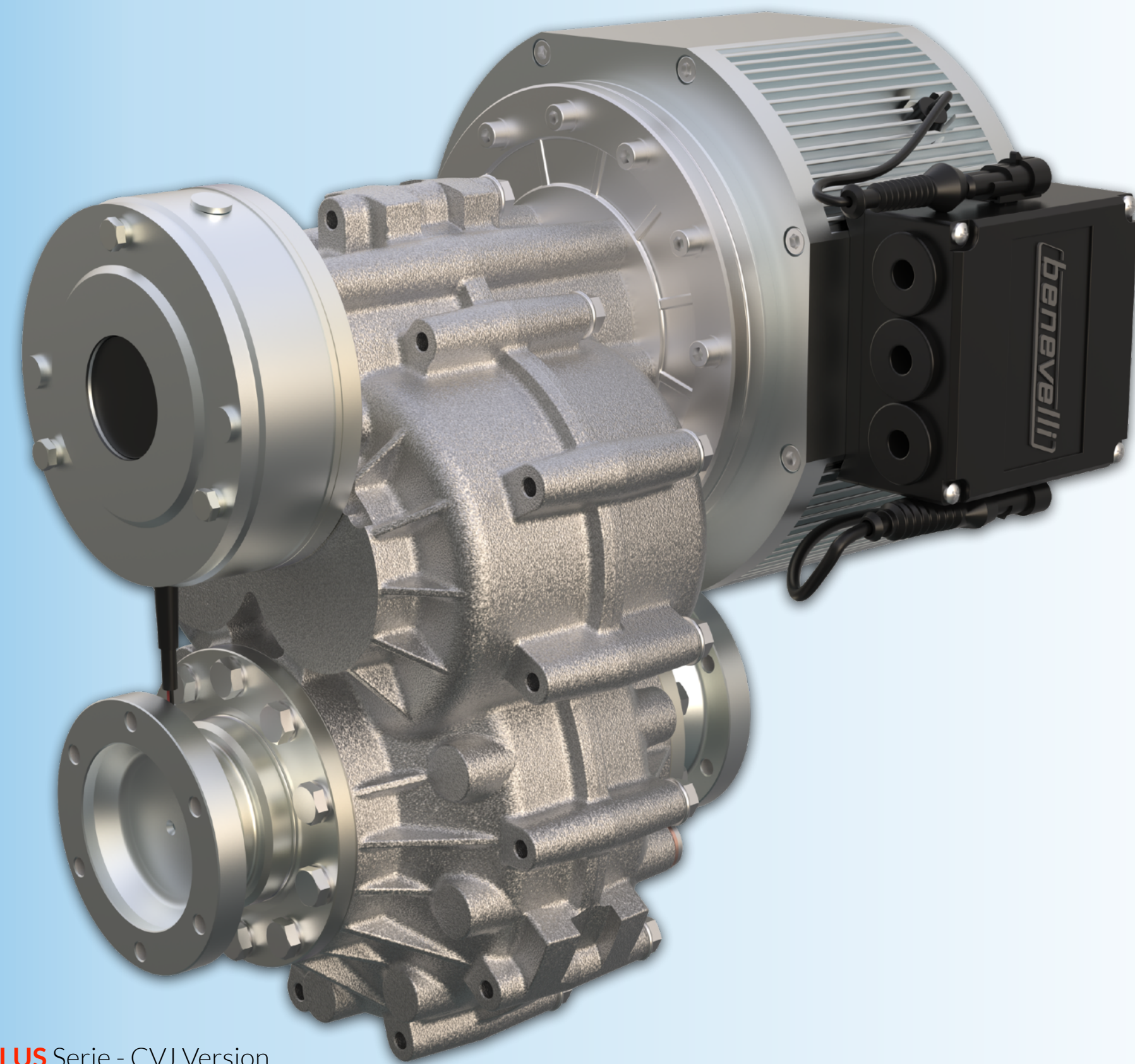


TX2 SERIE

ELECTRIC TRANSAXLES





TX2 **PLUS** Serie - CVJ Version

INTRO

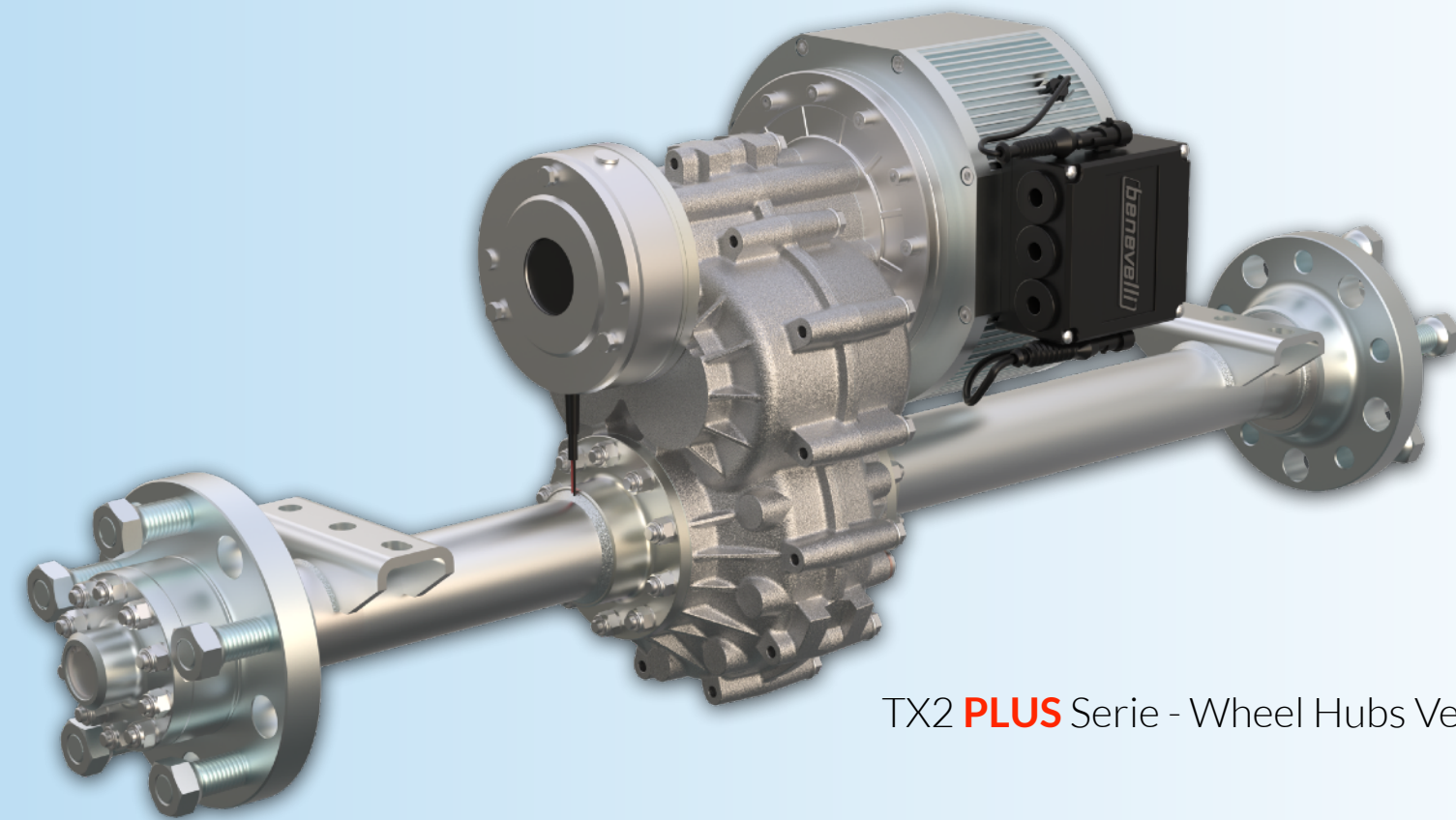
TX2 Serie consists in high performance electric transaxles for battery powered vehicles. The powertrain includes a gearbox with differential, rigid axle, brake system and an electric motor.

Thanks to its modular design TX2 Serie is the most complete transmission system for electric vehicles on the market ideal for a wide range of vehicle related applications such in Agriculture, AGV, Amusement, Cleaning, Construction, eMobility, Material Handling and Off-Highway market.

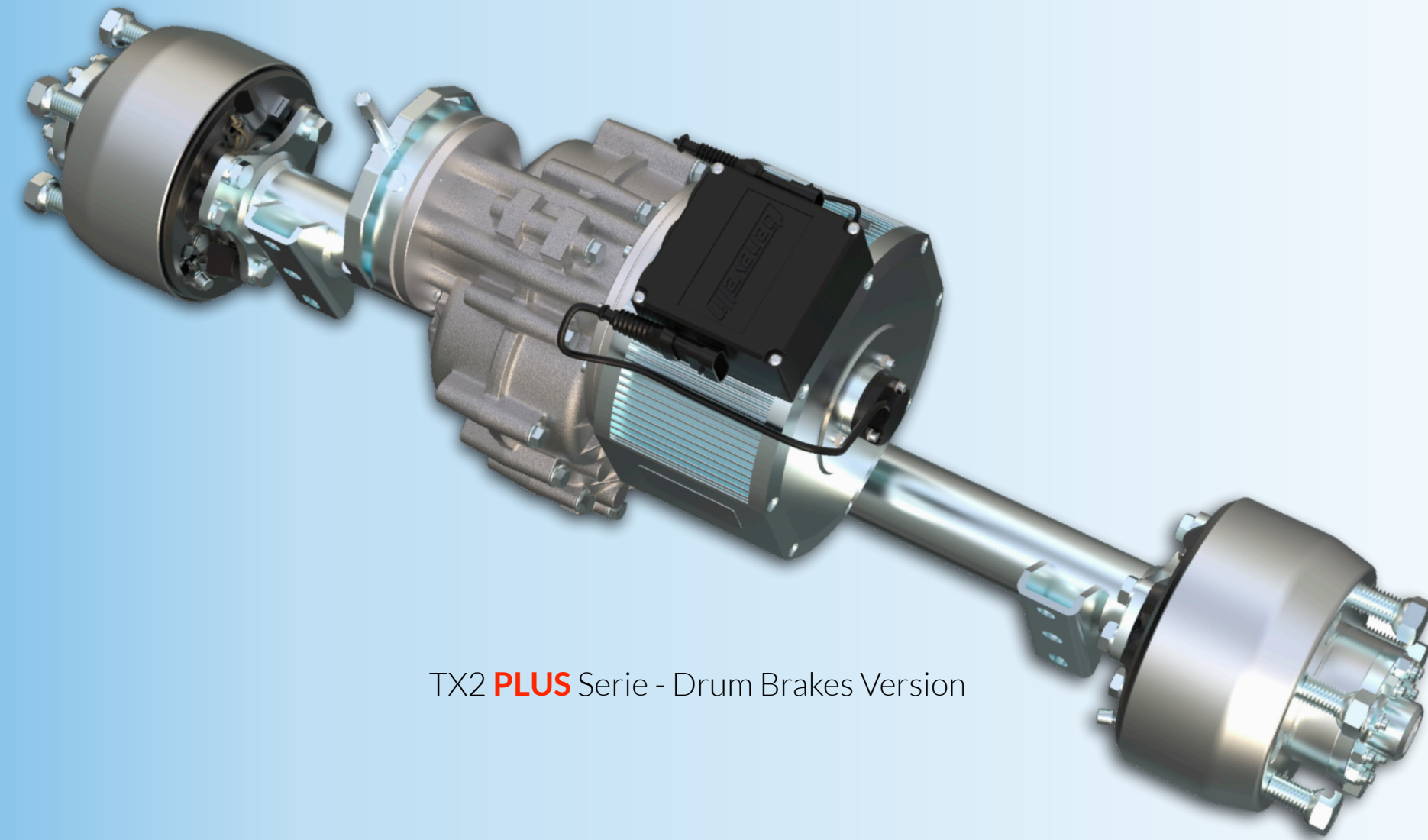
For the most extreme applications it's available a differential locking system, a device that integrates on rigid axle in an all-in-one solution for quick and easy installation in vehicles.

CONTENTS

INTRO	PAGE	3
FEATURES	PAGE	4
ELECTRIC MOTORS	PAGE	6
TRANSAXLES MODELS	PAGE	7
TX2 SERIE	PAGE	8
TX2 PLUS SERIE	PAGE	12
MOUNTING POSITIONS	PAGE	17
WHEELS FITTING	PAGE	19
ORDER CODE	PAGE	21



TX2 **PLUS** Serie - Wheel Hubs Version

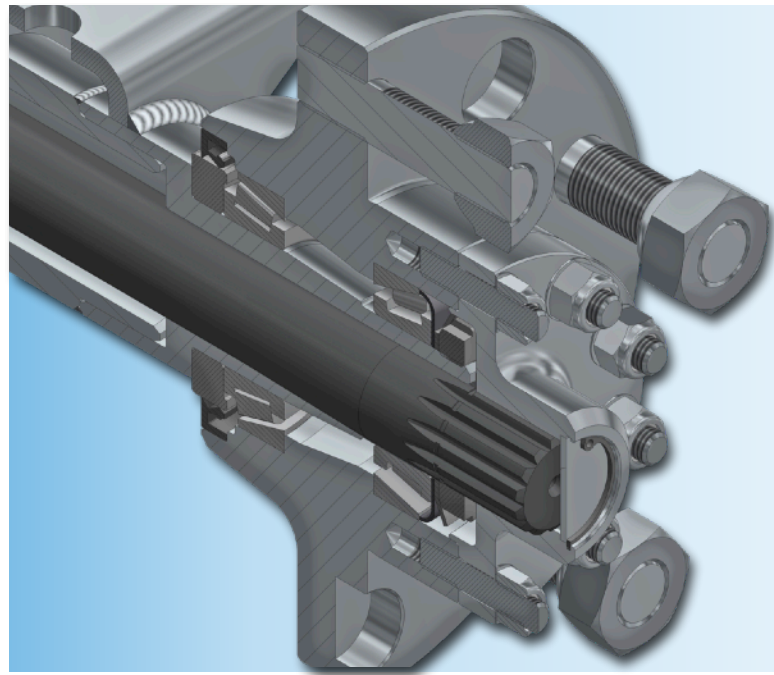


TX2 **PLUS** Serie - Drum Brakes Version

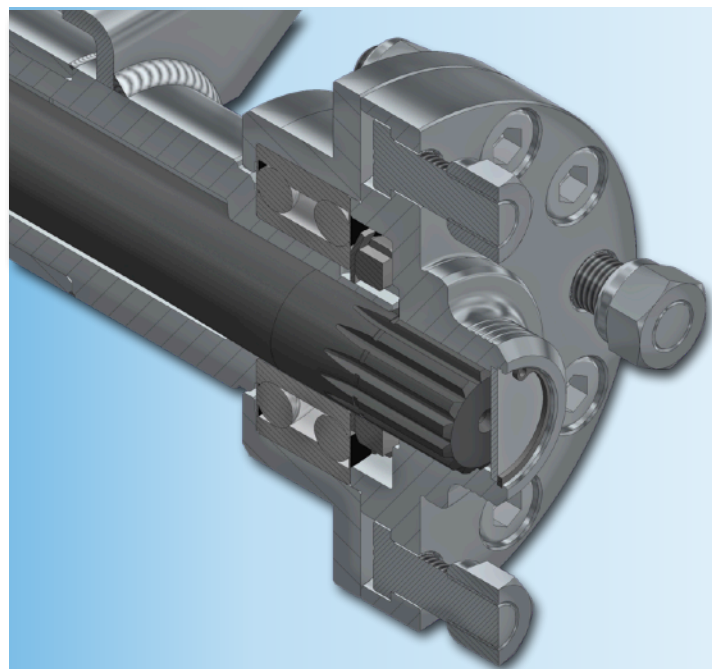
TECHNICAL CHARACTERISTICS

Gearbox Type	Linear axis reducer with differential
Motor Type	PMAC (IPM) - AC Induction
Power Range	3,0 to 30kW
Voltage Range	24 to 650 Vdc
Torque Range	Up to 1.600Nm
Available Ratios	3- 5 - 7 - 9 - 10 - 12 - 16 - 22 - 27 - 35 - 43 - 56 - 80
Maximum Input Speed	7.200rpm
Efficiency	95%
Load Rating	Up to 1.600Kg
Axle Width	560 to 1.988mm
IP Rating	Up to IP 6k9k
Wheels Fitting	Hub piloted 4 - 5 studs
Service Brakes	Hydraulic and/or mechanical
Parking Brakes	Electromagnetic and/or mechanical
Fixation System	Mounting brackets
Lubrication	Mobil 1 Oil - 0,5 Litres

FEATURES

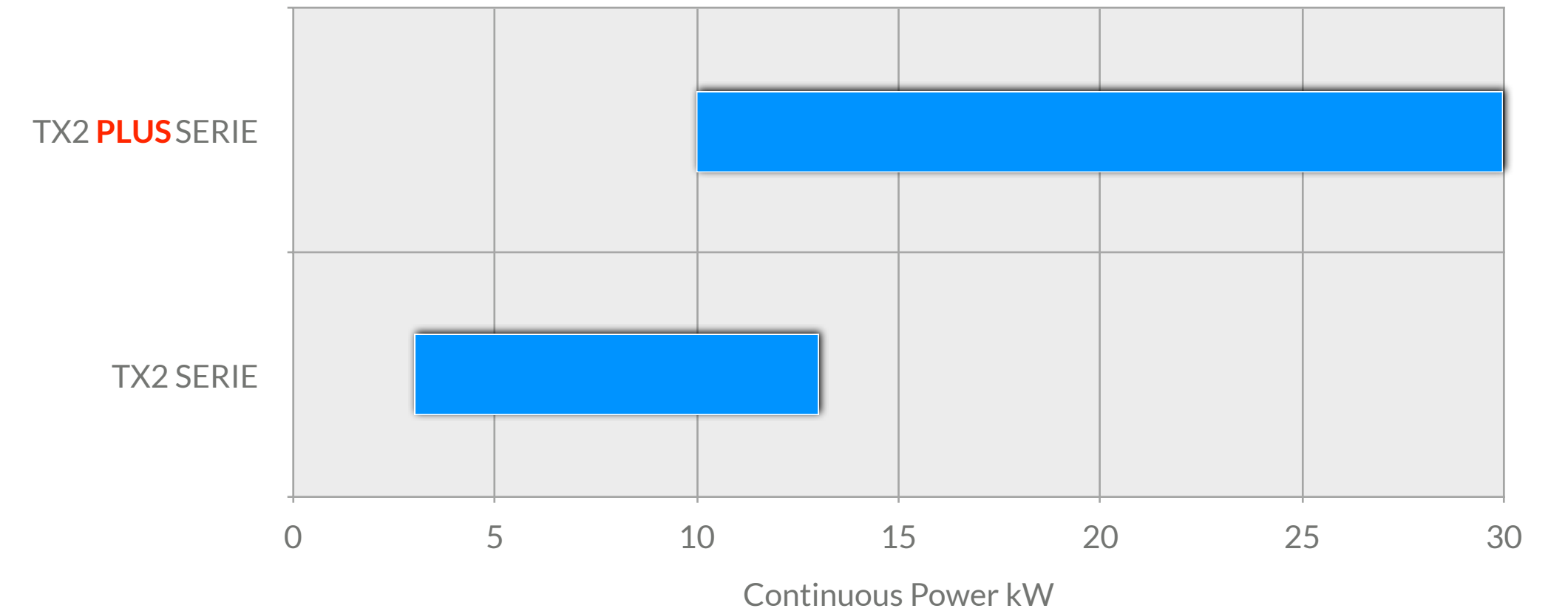


TX2 PLUS SERIE
Full floating axle with double tapered bearings on wheels.
Available with SMAC Serie and AMAC Serie electric motors.

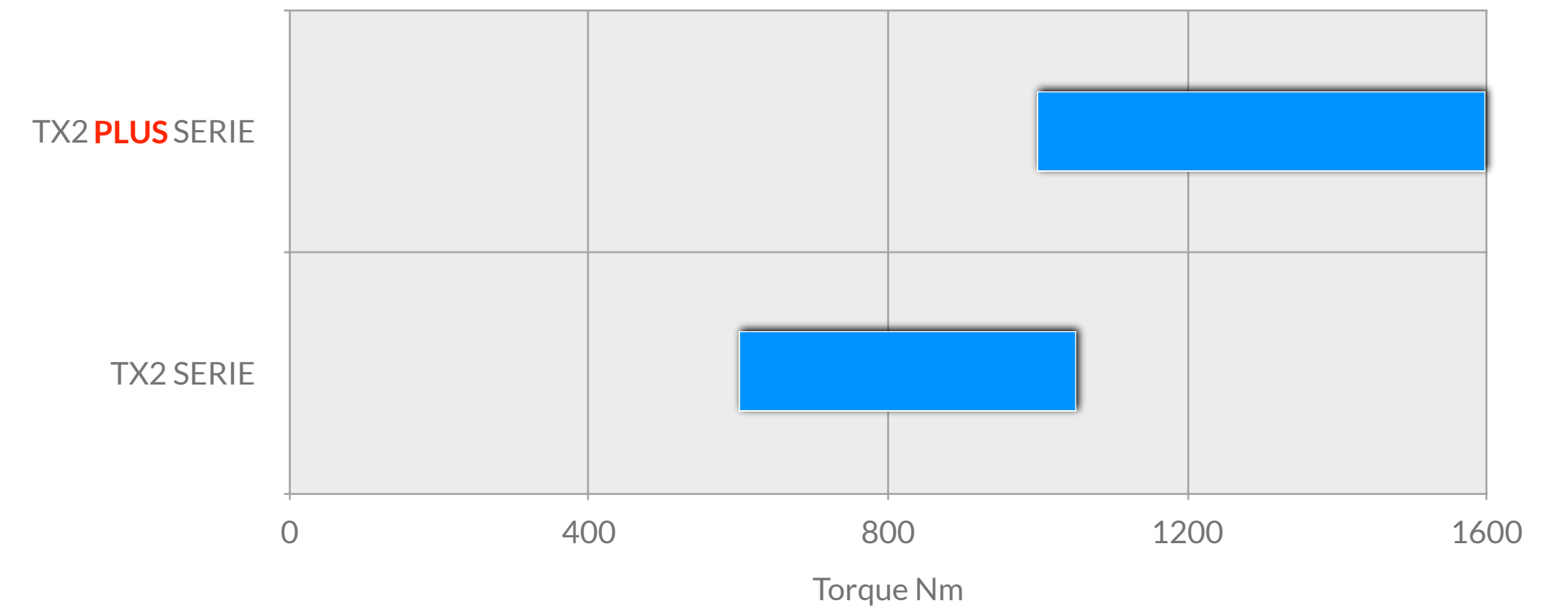


TX2 SERIE
Full floating axle with double row angular contact bearings on wheels.
Available with SMAC Serie and AMAC Serie electric motors.

POWER RANGE



TORQUE RANGE



FEATURES

1 MODULARITY

The modular system covers the individual assignments that need to be met by vehicle manufacturers in many sectors.

2 CLASS 5 GEARS

Class 5 gears ensure the highest level of efficiency and quiet operations on your electric vehicle.

3 RUGGED DESIGN

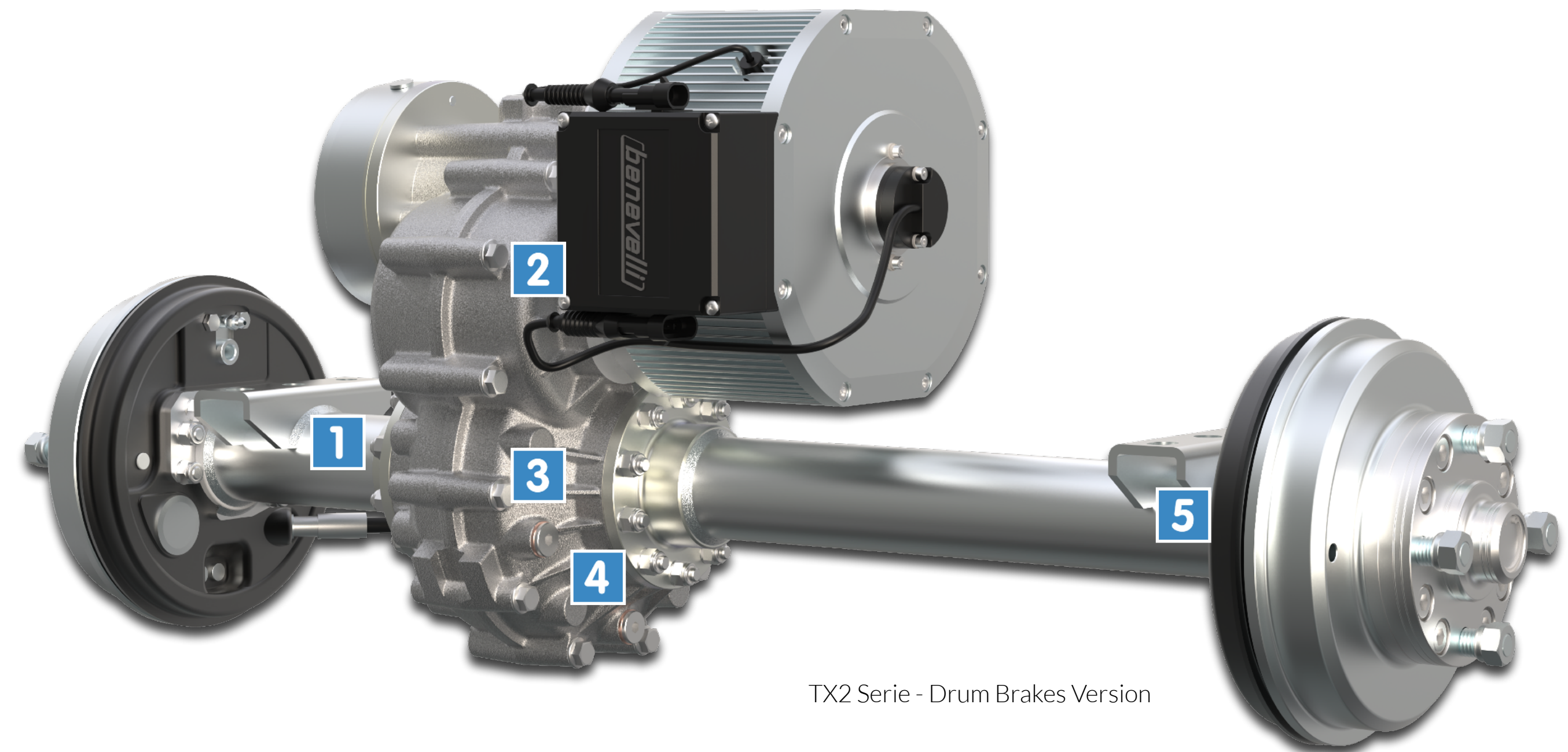
Robust gearbox design and construction enable large payload minimizes weight and dimensions.

4 HEAVY DUTY DIFFERENTIAL

Four pinion differential gearing for smooth turning operation. Differential lock device available.

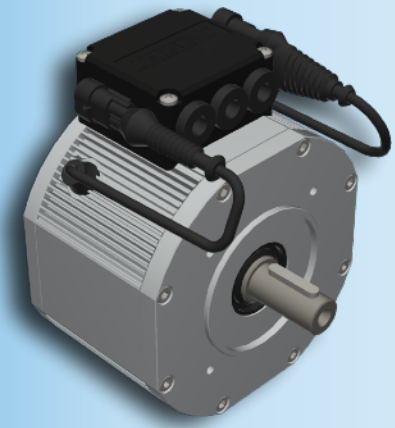
5 MOUNTING POSITION

Different standard mounting possibilities thanks to motor rotation on Z axis from 0 to 180°.



TX2 Serie - Drum Brakes Version

ELECTRIC MOTORS



SMAC SERIE

— PMAC (IPM) Motors

PMAC motors with Interior Permanent Magnets ensure constant torque and highest power density.



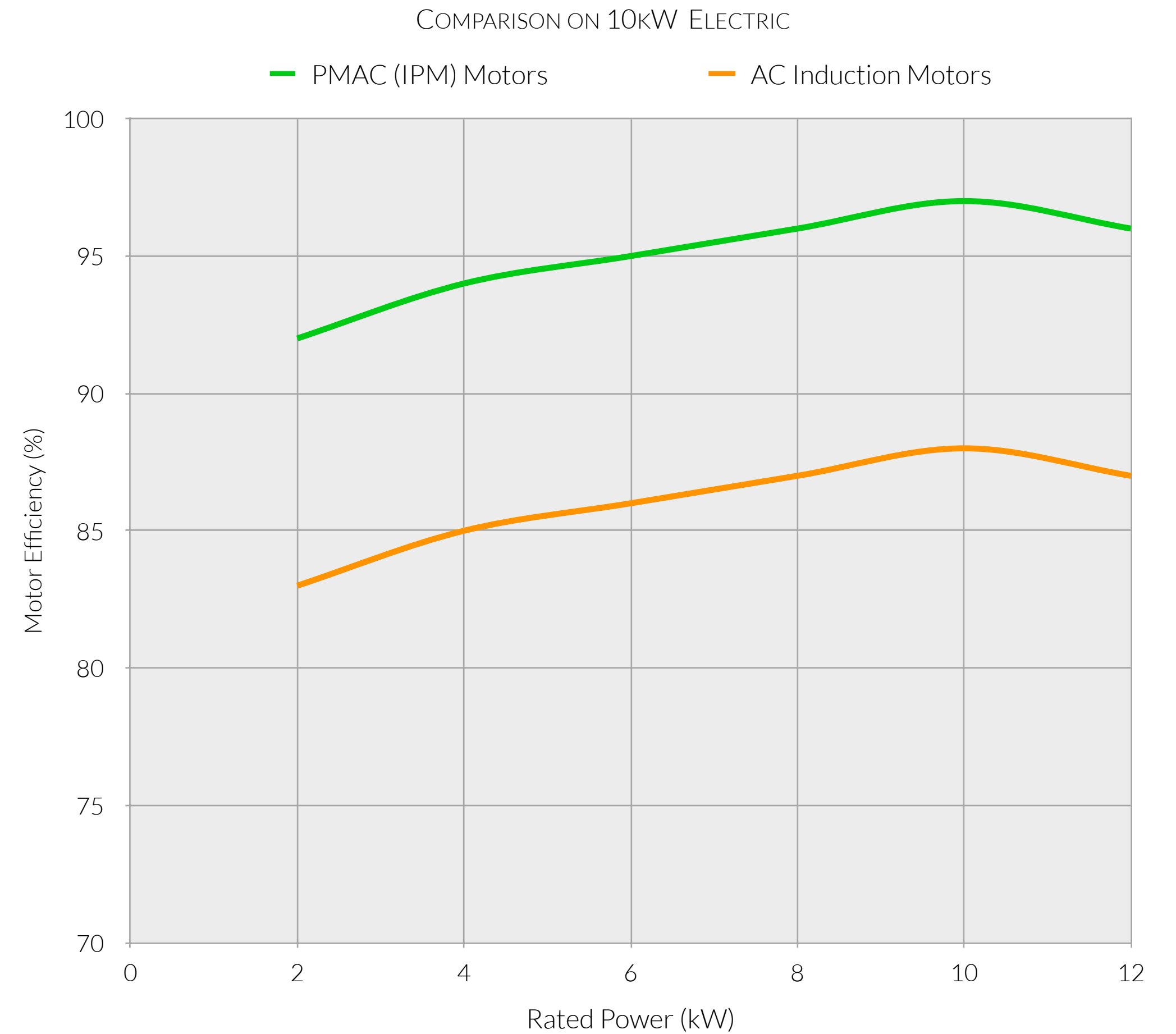
AMAC SERIE

— AC Induction Motors

AC Induction motors ensure great flexibility of installation and great performances.

BREAKTHROUGH PERFORMANCE

Two different types of motor technologies suitable for each vehicle class: PMAC (IPM) and AC Induction. Find out the differences.



TX2 SERIE RANGE

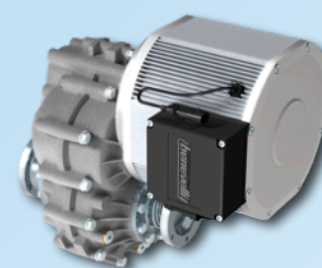
High modularity and speed capabilities of TX2 Serie transaxles combined with a matched inverter provide the speed and torque required to achieve unparalleled performances in a wide variety of electric vehicle and machines.

Benevelli TX2 Serie transaxles has been designed in 2 families, each one provide different performances:

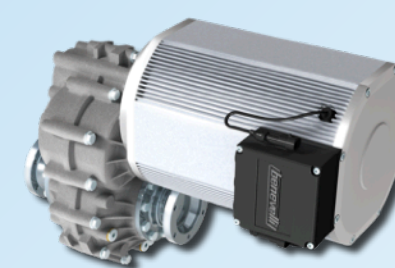
- ✓ TX2 SERIE
- ✓ TX2 **PLUS** SERIE

We will be able to guide your choice based on the performance of your electric vehicle, identifying standard solutions or co-designing them together with your technical department.

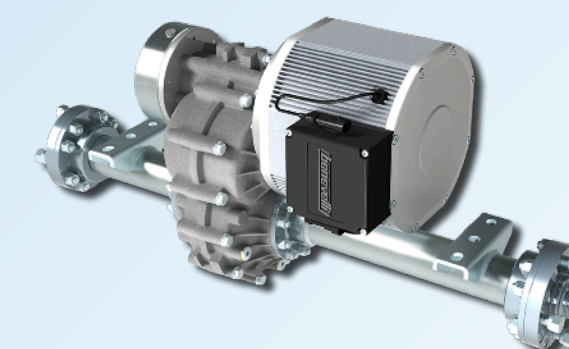
TX2 SERIE



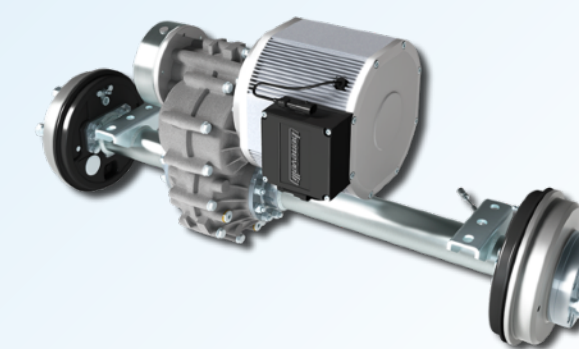
CVJ VERSION



4WD TRANSFER CASE

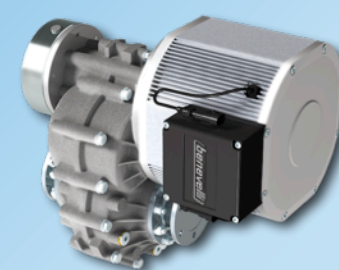


WHEEL HUBS VERSION

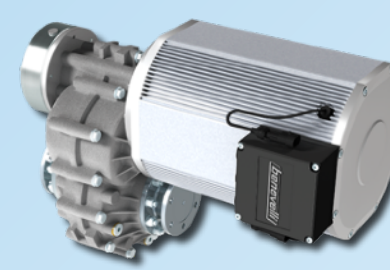


DRUM BRAKES VERSION

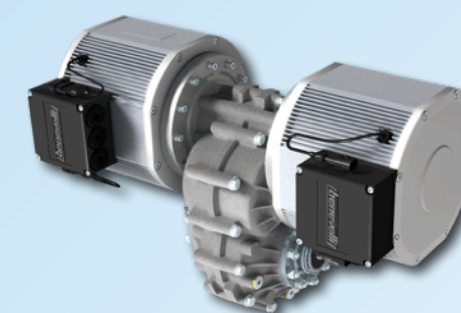
TX2 PLUS SERIE



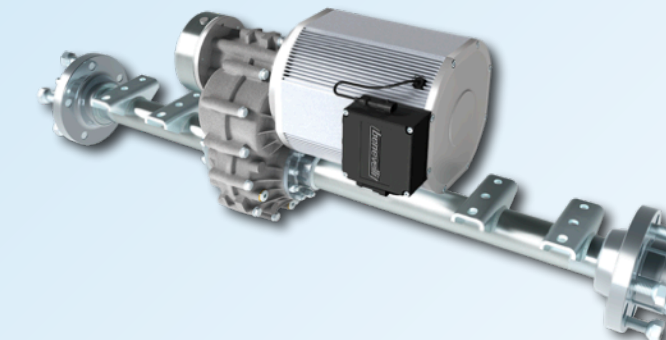
CVJ VERSION



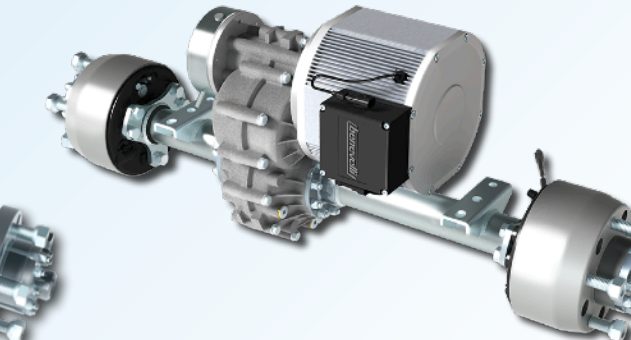
4WD TRANSFER CASE



DUAL MOTORS VERSION

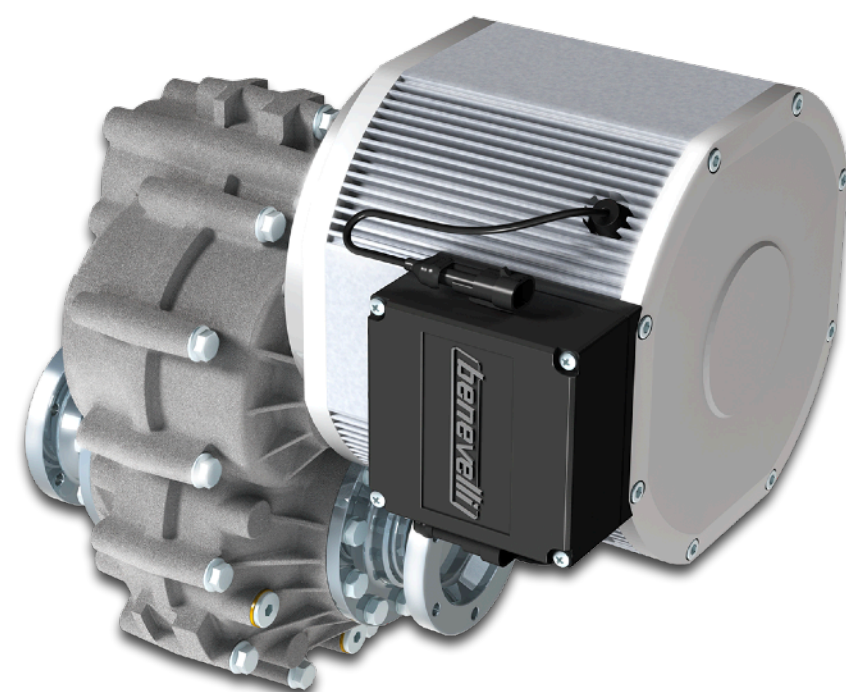


WHEEL HUBS VERSION



DRUM BRAKES VERSION

TX2 SERIE - CVJ VERSION



3D VIEWER

GEARBOX FEATURES

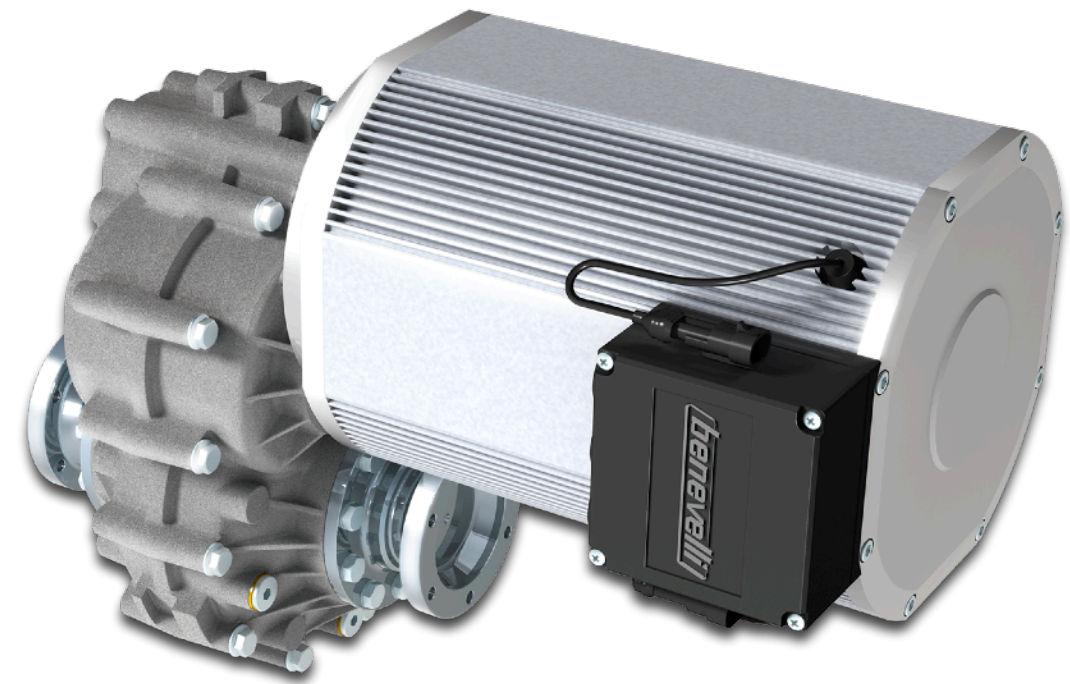
Gear Ratios	i	5 - 7 - 9 - 10 - 12 - 16 - 22 - 27 - 35 - 43 - 56 - 80
Output Torque	Nm	1.000
Input Speed (Max)	Rpm	7.200
Static Load	kg	—
Axle Type		—
Track-width	mm	—
Efficiency (Mechanical)	%	95
Gears Finishing		Class 5
Differential Type		Open type with four pinions
Differential Lock		Mechanical (option)
Service Brakes		—
Fixation System		—
Wheels Fitting		—

ELECTRIC MOTOR FEATURES

Motor Type		AMAC Serie - AC Induction	SMAC Serie - PMAC (IPM)
Power Range (Continuous)	kW	3,0 ÷ 10,0	5,0 ÷ 10,0
Power Range (Peak)	kW	Up to 15,0	Up to 15,0
Rated Voltage	V	24 ÷ 650	24 ÷ 650
IP Rating	IP	20 - 54 - 66 - 67 - 6k9k	20 - 54 - 66 - 67 - 6k9k
Motor Feedback		Hall effect 64 pulse	SinCos (resolver option)
Thermal Class		F	F
Thermal Protection		KTY 84-130	KTY 84-130
Connections		Terminal box (flying cables option)	Terminal box (flying cables option)
Cooling		Self Cooled or Liquid Cooled	Self Cooled or Liquid Cooled
Parking/Safety Brake		Electromagnetic	Electromagnetic
Braking Torque	Nm	20 ÷ 100	20 ÷ 100
Manual Release		Option	Option

CATALOG DRAWINGS ARE REPRESENTATIVE.
BEFORE FINAL DESIGN, REQUEST A CERTIFIED DRAWING.

TX2 SERIE - 4WD TRANSFER CASE VERSION



3D VIEWER

GEARBOX FEATURES

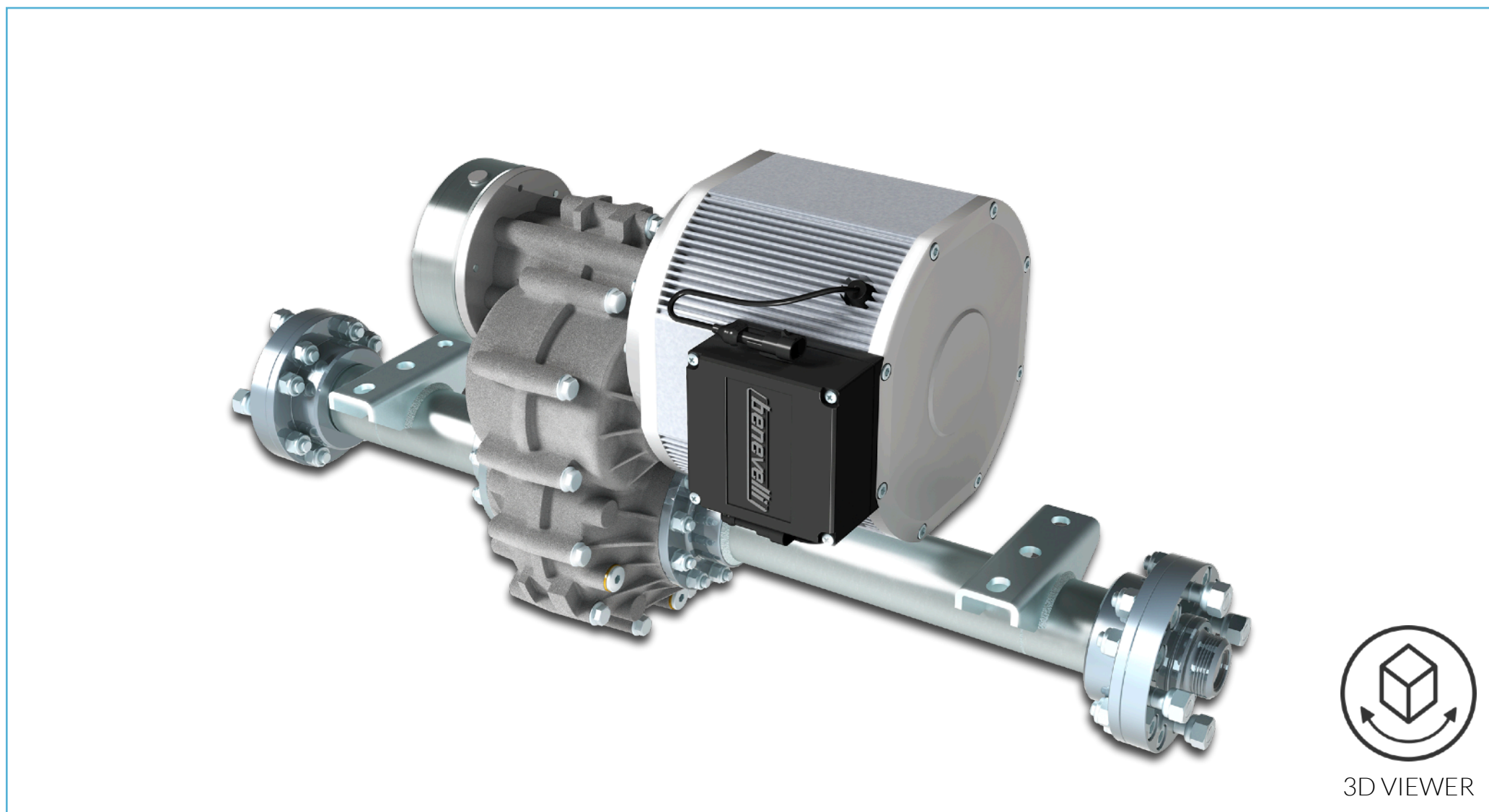
Gear Ratios	i	3 - 5
Output Torque	Nm	1.000
Input Speed (Max)	Rpm	7.200
Static Load	kg	—
Axle Type		—
Track-width	mm	—
Efficiency (Mechanical)	%	95
Gears Finishing		Class 5
Differential Type		No Differential
Differential Lock		—
Service Brakes		—
Fixation System		—
Wheels Fitting		—

ELECTRIC MOTOR FEATURES

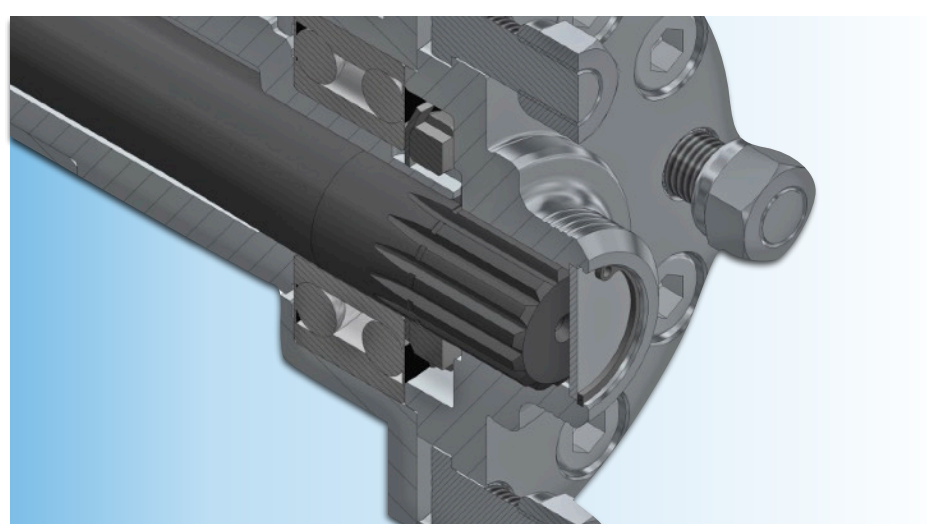
Motor Type		AMAC Serie - AC Induction	SMAC Serie - PMAC (IPM)
Power Range (Continuous)	kW	3,0 ÷ 10,0	5,0 ÷ 10,0
Power Range (Peak)	kW	Up to 15,0	Up to 15,0
Rated Voltage	V	24 ÷ 650	24 ÷ 650
IP Rating	IP	20 - 54 - 66 - 67 - 6k9k	20 - 54 - 66 - 67 - 6k9k
Motor Feedback		Hall effect 64 pulse	SinCos (resolver option)
Thermal Class		F	F
Thermal Protection		KTY 84-130	KTY 84-130
Connections		Terminal box (flying cables option)	Terminal box (flying cables option)
Cooling		Self Cooled or Liquid Cooled	Self Cooled or Liquid Cooled
Parking/Safety Brake		Electromagnetic	Electromagnetic
Braking Torque	Nm	20 ÷ 100	20 ÷ 100
Manual Release		Option	Option

CATALOG DRAWINGS ARE REPRESENTATIVE.
BEFORE FINAL DESIGN, REQUEST A CERTIFIED DRAWING.

TX2 SERIE - WHEEL HUBS VERSION



FULL FLOATING AXLE



GEARBOX FEATURES

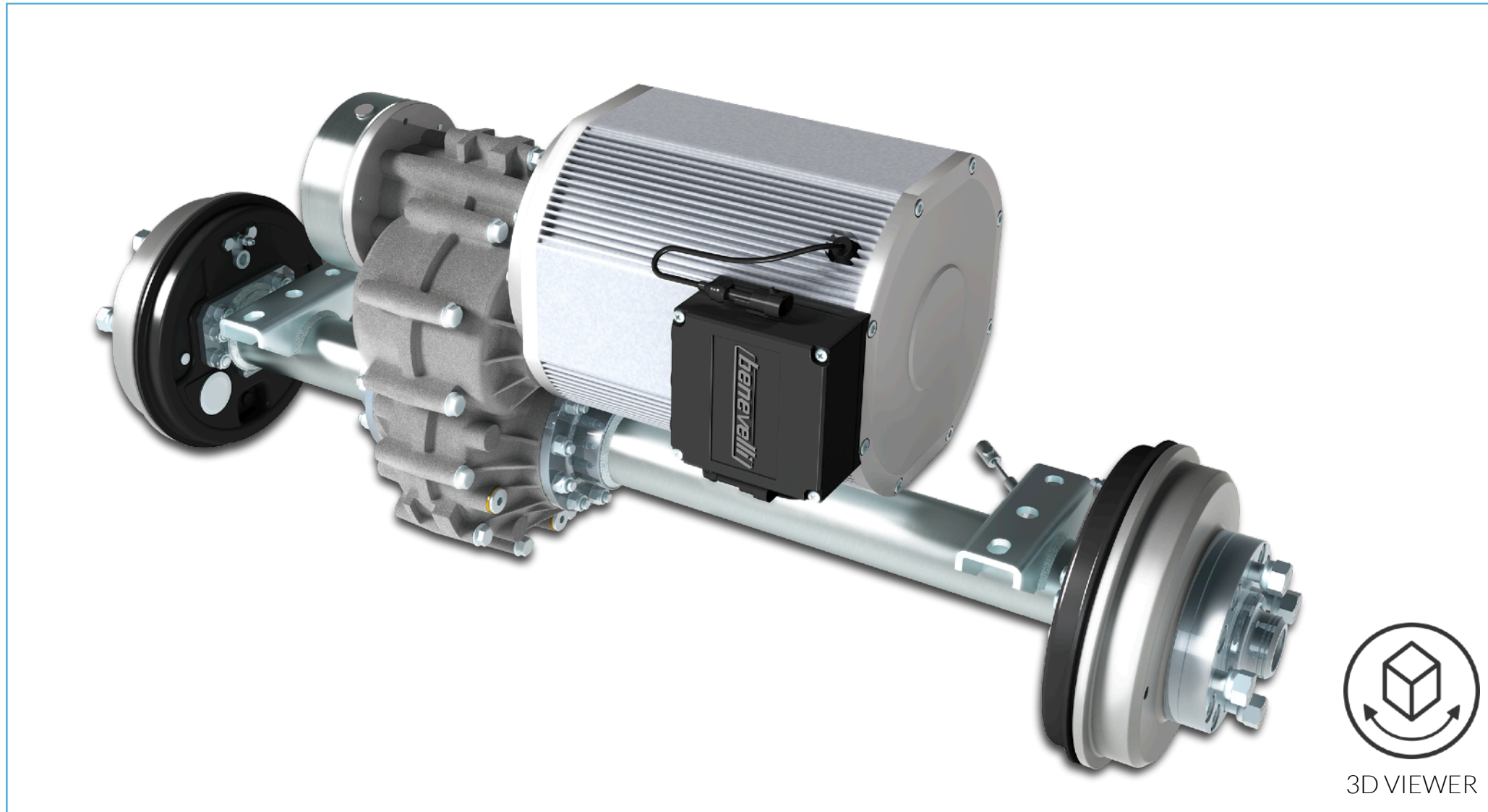
Gear Ratios	i	5 - 7 - 9 - 10 - 12 - 16 - 22 - 27 - 35 - 43 - 56 - 80
Output Torque	Nm	1.000
Input Speed (Max)	Rpm	7.200
Static Load	kg	1.000
Axle Type		Full floating
Track-width	mm	560 ÷ 1.988
Efficiency (Mechanical)	%	95
Gears Finishing		Class 5
Differential Type		Open type with four pinions
Differential Lock		Mechanical (option)
Service Brakes		—
Fixation System		Mounting brackets
Wheels Fitting		Hub piloted 4 - 5 studs

ELECTRIC MOTOR FEATURES

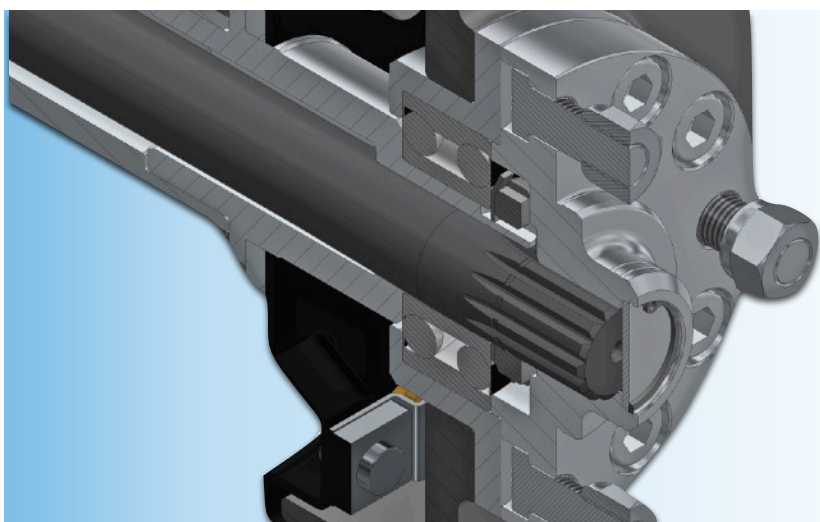
Motor Type		AMAC Serie - AC Induction	SMAC Serie - PMAC (IPM)
Power Range (Continuous)	kW	3,0 ÷ 10,0	5,0 ÷ 10,0
Power Range (Peak)	kW	Up to 15,0	Up to 15,0
Rated Voltage	V	24 ÷ 650	24 ÷ 650
IP Rating	IP	20 - 54 - 66 - 67 - 6k9k	20 - 54 - 66 - 67 - 6k9k
Motor Feedback		Hall effect 64 pulse	SinCos (resolver option)
Thermal Class		F	F
Thermal Protection		KTY 84-130	KTY 84-130
Connections		Terminal box (flying cables option)	Terminal box (flying cables option)
Cooling		Self Cooled or Liquid Cooled	Self Cooled or Liquid Cooled
Parking/Safety Brake		Electromagnetic	Electromagnetic
Braking Torque	Nm	20 ÷ 100	20 ÷ 100
Manual Release		Option	Option

CATALOG DRAWINGS ARE REPRESENTATIVE.
BEFORE FINAL DESIGN, REQUEST A CERTIFIED DRAWING.

TX2 SERIE - DRUM BRAKES VERSION



FULL FLOATING AXLE



SERVICE BREAKS

Brake Fluid Type		DOT4
Brake Cylinder Ø	mm	22
Volume Displacement	Cc	0,8 - 1,0
Braking Torque	Nm	500
Input Pressure	bar	80
Brake Shoes	mm	180x30
Brake Linings		Bremsker 5504
Adjusting system		Auto

GEARBOX FEATURES

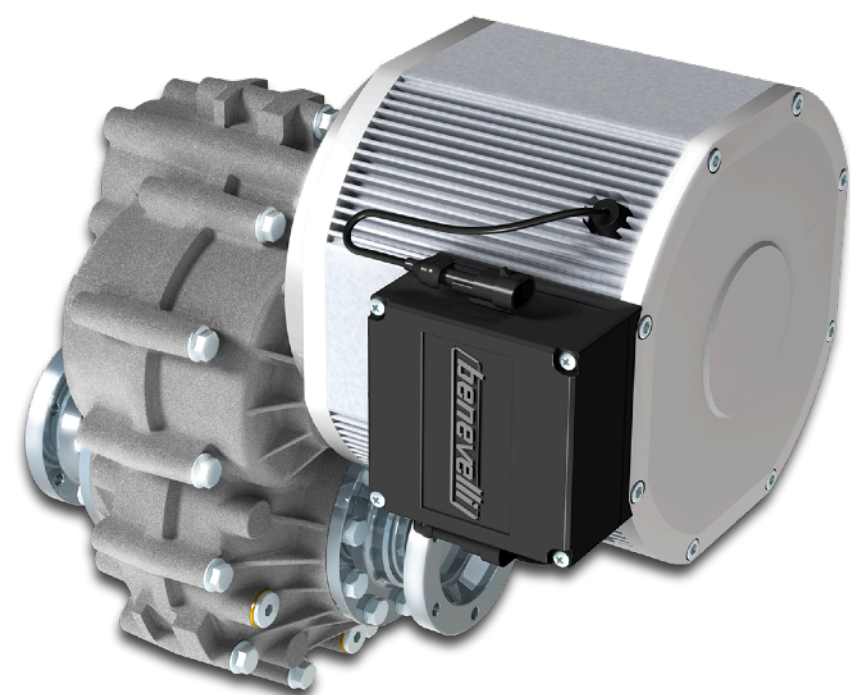
Gear Ratios	i	5 - 7 - 9 - 10 - 12 - 16 - 22 - 27 - 35 - 43 - 56 - 80
Output Torque	Nm	1.000
Input Speed (Max)	Rpm	7.200
Static Load	kg	1.000
Axle Type		Full floating
Track-width	mm	560 ÷ 1.988
Efficiency (Mechanical)	%	95
Gears Finishing		Class 5
Differential Type		Open type with four pinions
Differential Lock		Mechanical (option)
Service Brakes		Hydraulic and Mechanical
Fixation System		Mounting brackets
Wheels Fitting		Hub piloted 4 - 5 studs

ELECTRIC MOTOR FEATURES

Motor Type		AMAC Serie - AC Induction	SMAC Serie - PMAC (IPM)
Power Range (Continuous)	kW	3,0 ÷ 10,0	5,0 ÷ 10,0
Power Range (Peak)	kW	Up to 15,0	Up to 15,0
Rated Voltage	V	24 ÷ 650	24 ÷ 650
IP Rating	IP	20 - 54 - 66 - 67 - 6k9k	20 - 54 - 66 - 67 - 6k9k
Motor Feedback		Hall effect 64 pulse	SinCos (resolver option)
Thermal Class		F	F
Thermal Protection		KTY 84-130	KTY 84-130
Connections		Terminal box (flying cables option)	Terminal box (flying cables option)
Cooling		Self Cooled or Liquid Cooled	Self Cooled or Liquid Cooled
Parking/Safety Brake		Electromagnetic	Electromagnetic
Braking Torque	Nm	20 ÷ 100	20 ÷ 100
Manual Release		Option	Option

CATALOG DRAWINGS ARE REPRESENTATIVE.
BEFORE FINAL DESIGN, REQUEST A CERTIFIED DRAWING.

TX2 PLUS SERIE - CVJ VERSION



3D VIEWER

GEARBOX FEATURES

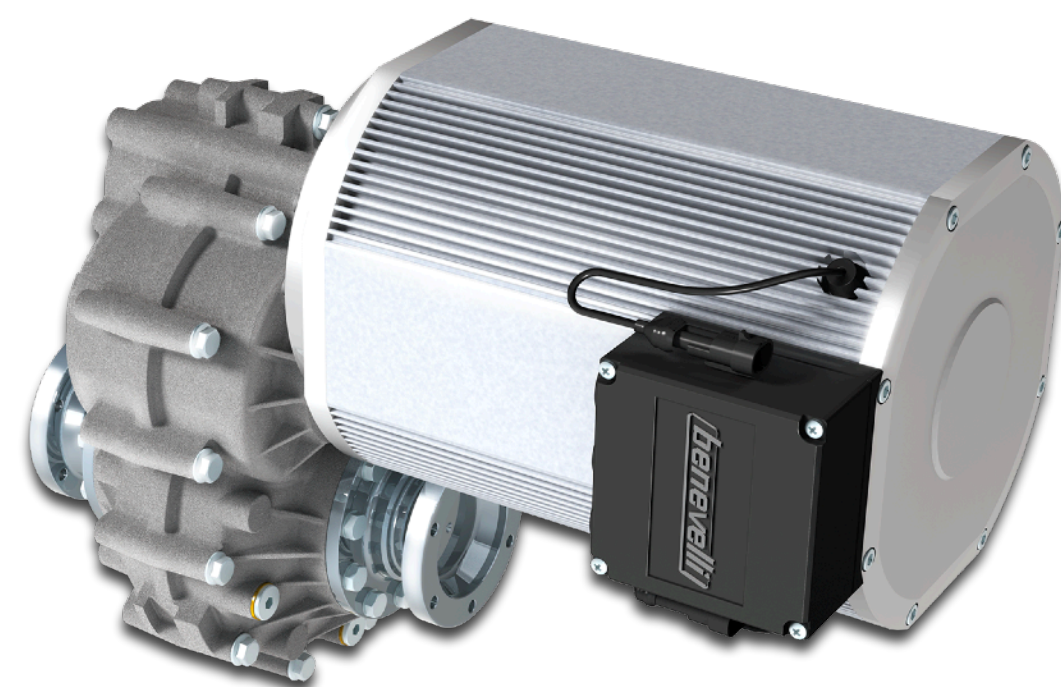
Gear Ratios	i	5 - 7 - 9 - 10 - 12 - 16 - 22 - 27 - 35 - 43 - 56 - 80
Output Torque	Nm	1.600
Input Speed (Max)	Rpm	7.200
Static Load	kg	—
Axle Type		—
Track-width	mm	—
Efficiency (Mechanical)	%	95
Gears Finishing		Class 5
Differential Type		Open type with four pinions
Differential Lock		Mechanical (option)
Service Brakes		—
Fixation System		—
Wheels Fitting		—

ELECTRIC MOTOR FEATURES

Motor Type		AMAC Serie - AC Induction	SMAC Serie - PMAC (IPM)
Power Range (Continuous)	kW	3,0 ÷ 19,0	5,0 ÷ 30,0
Power Range (Peak)	kW	Up to 30,0	Up to 60,0
Rated Voltage	V	24 ÷ 650	24 ÷ 650
IP Rating	IP	20 - 54 - 66 - 67 - 6k9k	20 - 54 - 66 - 67 - 6k9k
Motor Feedback		Hall effect 64 pulse	SinCos (resolver option)
Thermal Class		F	F
Thermal Protection		KTY 84-130	KTY 84-130
Connections		Terminal box (flying cables option)	Terminal box (flying cables option)
Cooling		Self Cooled or Liquid Cooled	Self Cooled or Liquid Cooled
Parking/Safety Brake		Electromagnetic	Electromagnetic
Braking Torque	Nm	20 ÷ 100	20 ÷ 100
Manual Release		Option	Option

CATALOG DRAWINGS ARE REPRESENTATIVE.
BEFORE FINAL DESIGN, REQUEST A CERTIFIED DRAWING.

TX2 PLUS SERIE - TRANSFER CASE VERSION



3D VIEWER

GEARBOX FEATURES

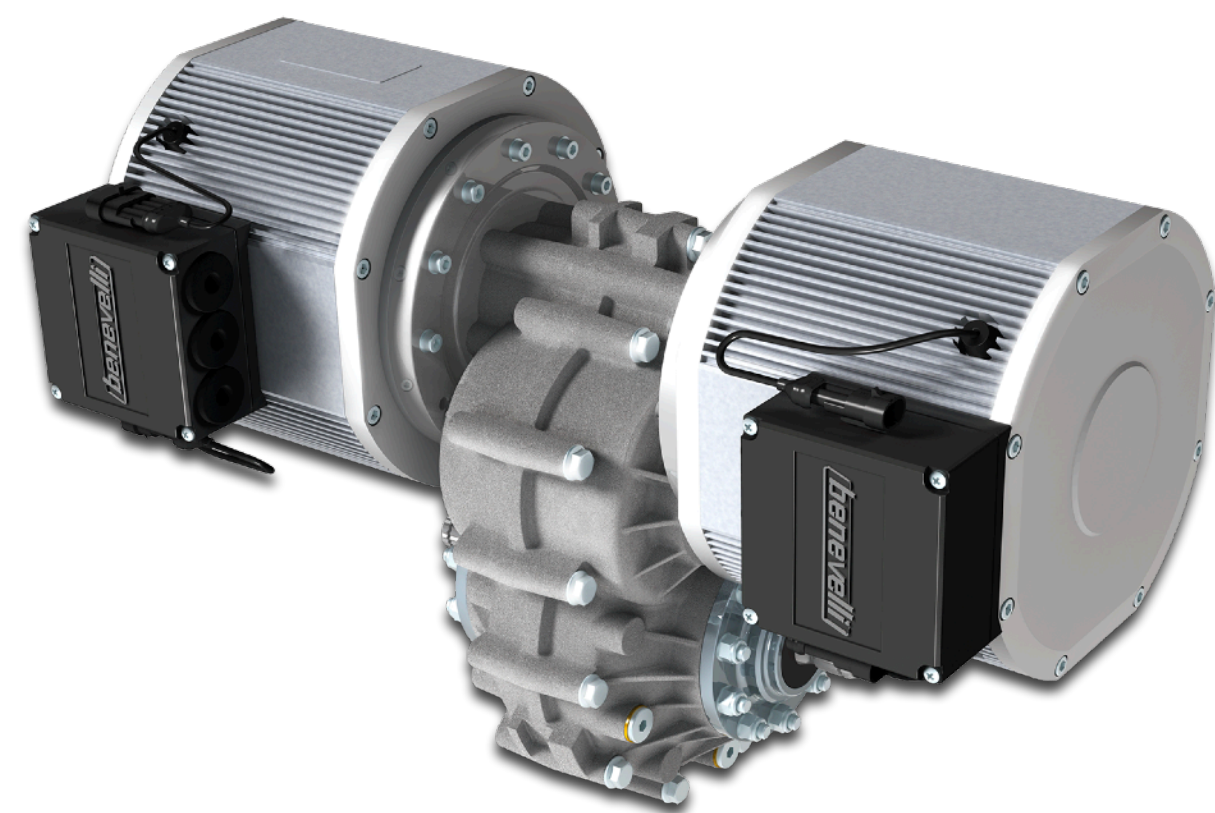
Gear Ratios	i	3 - 5
Output Torque	Nm	1.600
Input Speed (Max)	Rpm	7.200
Static Load	kg	—
Axle Type		—
Track-width	mm	—
Efficiency (Mechanical)	%	95
Gears Finishing		Class 5
Differential Type		No Differential
Differential Lock		—
Service Brakes		—
Fixation System		—
Wheels Fitting		—

ELECTRIC MOTOR FEATURES

Motor Type		AMAC Serie - AC Induction	SMAC Serie - PMAC (IPM)
Power Range (Continuous)	kW	3,0 ÷ 19,0	5,0 ÷ 30,0
Power Range (Peak)	kW	Up to 30,0	Up to 60,0
Rated Voltage	V	24 ÷ 650	24 ÷ 650
IP Rating	IP	20 - 54 - 66 - 67 - 6k9k	20 - 54 - 66 - 67 - 6k9k
Motor Feedback		Hall effect 64 pulse	SinCos (resolver option)
Thermal Class		F	F
Thermal Protection		KTY 84-130	KTY 84-130
Connections		Terminal box (flying cables option)	Terminal box (flying cables option)
Cooling		Self Cooled or Liquid Cooled	Self Cooled or Liquid Cooled
Parking/Safety Brake		Electromagnetic	Electromagnetic
Braking Torque	Nm	20 ÷ 100	20 ÷ 100
Manual Release		Option	Option

CATALOG DRAWINGS ARE REPRESENTATIVE.
BEFORE FINAL DESIGN, REQUEST A CERTIFIED DRAWING.

TX2 PLUS SERIE - DUAL MOTOR VERSION



3D VIEWER

GEARBOX FEATURES

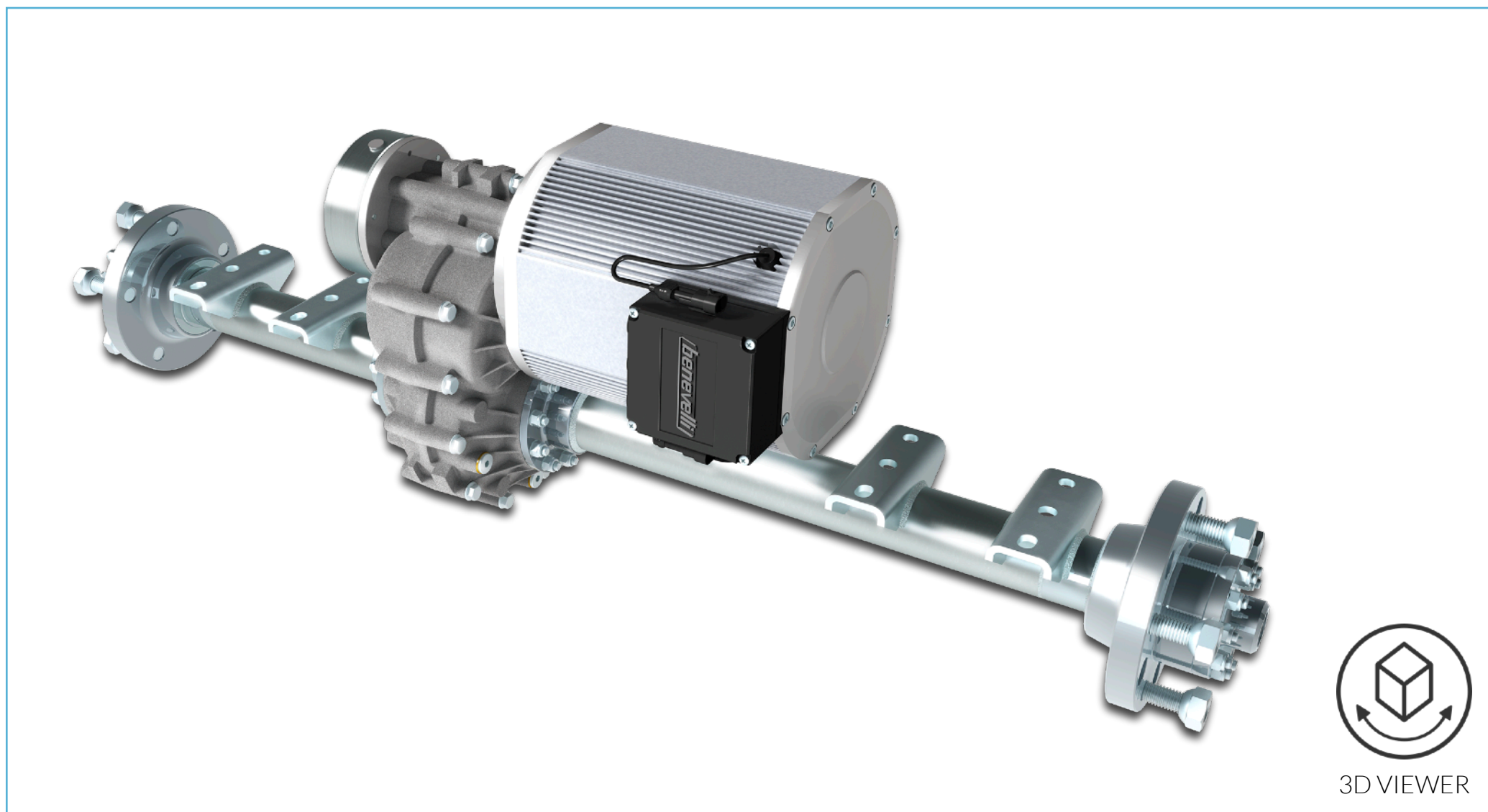
Gear Ratios	i	7 - 12 - 27 - 34
Output Torque	Nm	1.600
Input Speed (Max)	Rpm	7.200
Static Load	kg	—
Axle Type		—
Track-width	mm	—
Efficiency (Mechanical)	%	95
Gears Finishing		Class 5
Differential Type		No Differential
Differential Lock		—
Service Brakes		—
Fixation System		—
Wheels Fitting		—

ELECTRIC MOTOR FEATURES

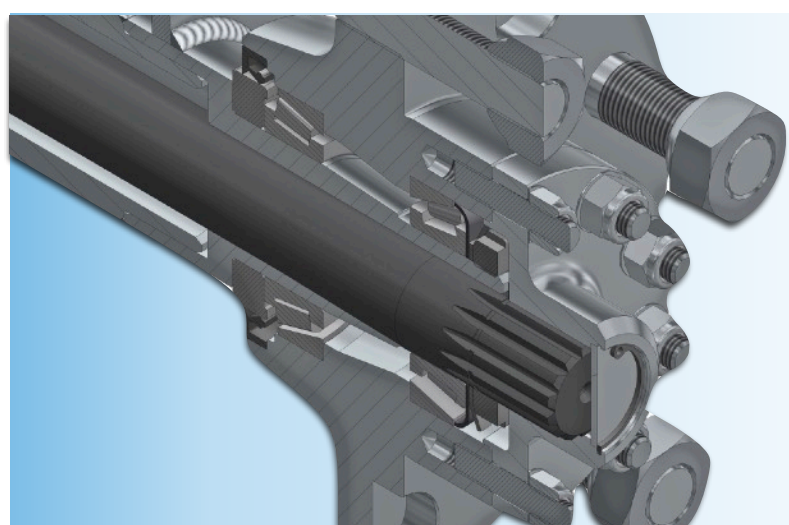
Motor Type		AMAC Serie - AC Induction	SMAC Serie - PMAC (IPM)
Power Range (Continuous)	kW	3,0 ÷ 19,0	5,0 ÷ 30,0
Power Range (Peak)	kW	Up to 30,0	Up to 60,0
Rated Voltage	V	24 ÷ 650	24 ÷ 650
IP Rating	IP	20 - 54 - 66 - 67 - 6k9k	20 - 54 - 66 - 67 - 6k9k
Motor Feedback		Hall effect 64 pulse	SinCos (resolver option)
Thermal Class		F	F
Thermal Protection		KTY 84-130	KTY 84-130
Connections		Terminal box (flying cables option)	Terminal box (flying cables option)
Cooling		Self Cooled or Liquid Cooled	Self Cooled or Liquid Cooled
Parking/Safety Brake		Electromagnetic	Electromagnetic
Braking Torque	Nm	20 ÷ 100	20 ÷ 100
Manual Release		Option	Option

CATALOG DRAWINGS ARE REPRESENTATIVE.
BEFORE FINAL DESIGN, REQUEST A CERTIFIED DRAWING.

TX2 PLUS SERIE - WHEEL HUBS VERSION



FULL FLOATING AXLE



GEARBOX FEATURES

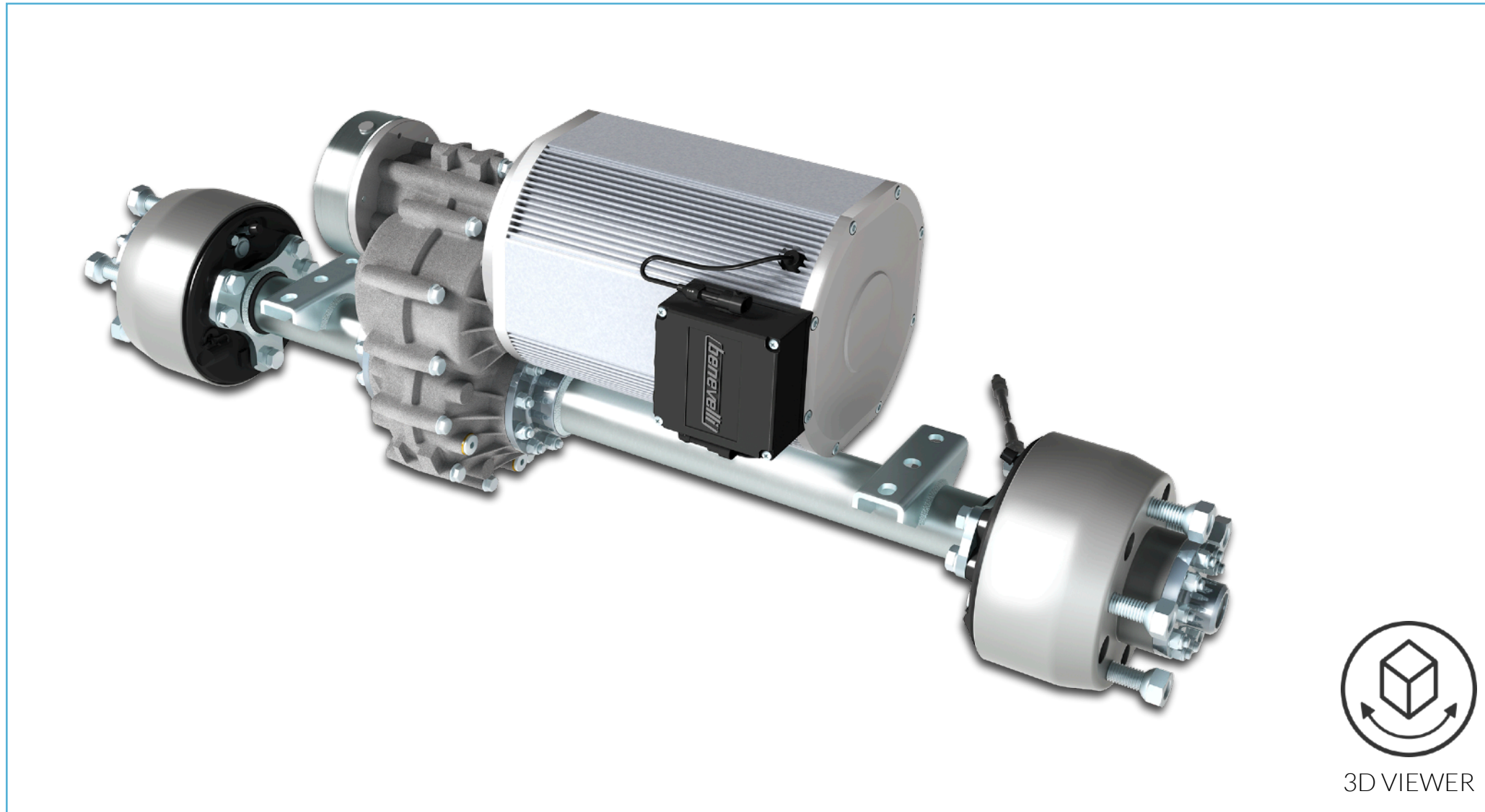
Gear Ratios	i	5 - 7 - 9 - 10 - 12 - 16 - 22 - 27 - 35 - 43 - 56 - 80
Output Torque	Nm	1.600
Input Speed (Max)	Rpm	7.200
Static Load	kg	1.600
Axle Type		Full floating
Track-width	mm	560 ÷ 1.988
Efficiency (Mechanical)	%	95
Gears Finishing		Class 5
Differential Type		Open type with four pinions
Differential Lock		Mechanical (option)
Service Brakes		—
Fixation System		Mounting brackets
Wheels Fitting		Hub piloted 5 studs

ELECTRIC MOTOR FEATURES

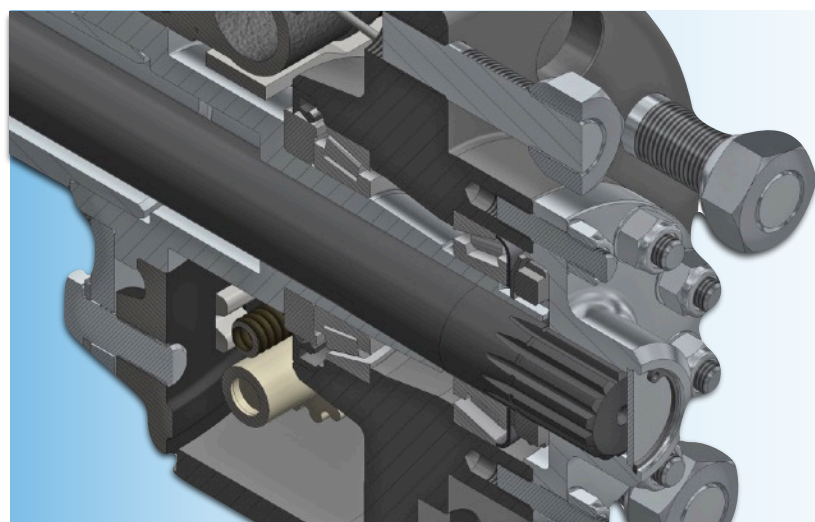
Motor Type		AMAC Serie - AC Induction	SMAC Serie - PMAC (IPM)
Power Range (Continuous)	kW	3,0 ÷ 19,0	5,0 ÷ 30,0
Power Range (Peak)	kW	Up to 30,0	Up to 60,0
Rated Voltage	V	24 ÷ 650	24 ÷ 650
IP Rating	IP	20 - 54 - 66 - 67 - 6k9k	20 - 54 - 66 - 67 - 6k9k
Motor Feedback		Hall effect 64 pulse	SinCos (resolver option)
Thermal Class		F	F
Thermal Protection		KTY 84-130	KTY 84-130
Connections		Terminal box (flying cables option)	Terminal box (flying cables option)
Cooling		Self Cooled or Liquid Cooled	Self Cooled or Liquid Cooled
Parking/Safety Brake		Electromagnetic	Electromagnetic
Braking Torque	Nm	20 ÷ 100	20 ÷ 100
Manual Release		Option	Option

CATALOG DRAWINGS ARE REPRESENTATIVE.
BEFORE FINAL DESIGN, REQUEST A CERTIFIED DRAWING.

TX2 PLUS SERIE - DRUM BRAKES VERSION



FULL FLOATING AXLE



SERVICE BREAKS

Brake Fluid Type		DOT3 - DOT4
Brake Cylinder Ø	mm	22,2
Volume Displacement	Cc	1,5 - 1,7
Braking Torque	Nm	1.500
Input Pressure	bar	85
Brake Shoes	mm	170 x 40
Brake Linings		Beral 1537
Adjusting system		Manual

GEARBOX FEATURES

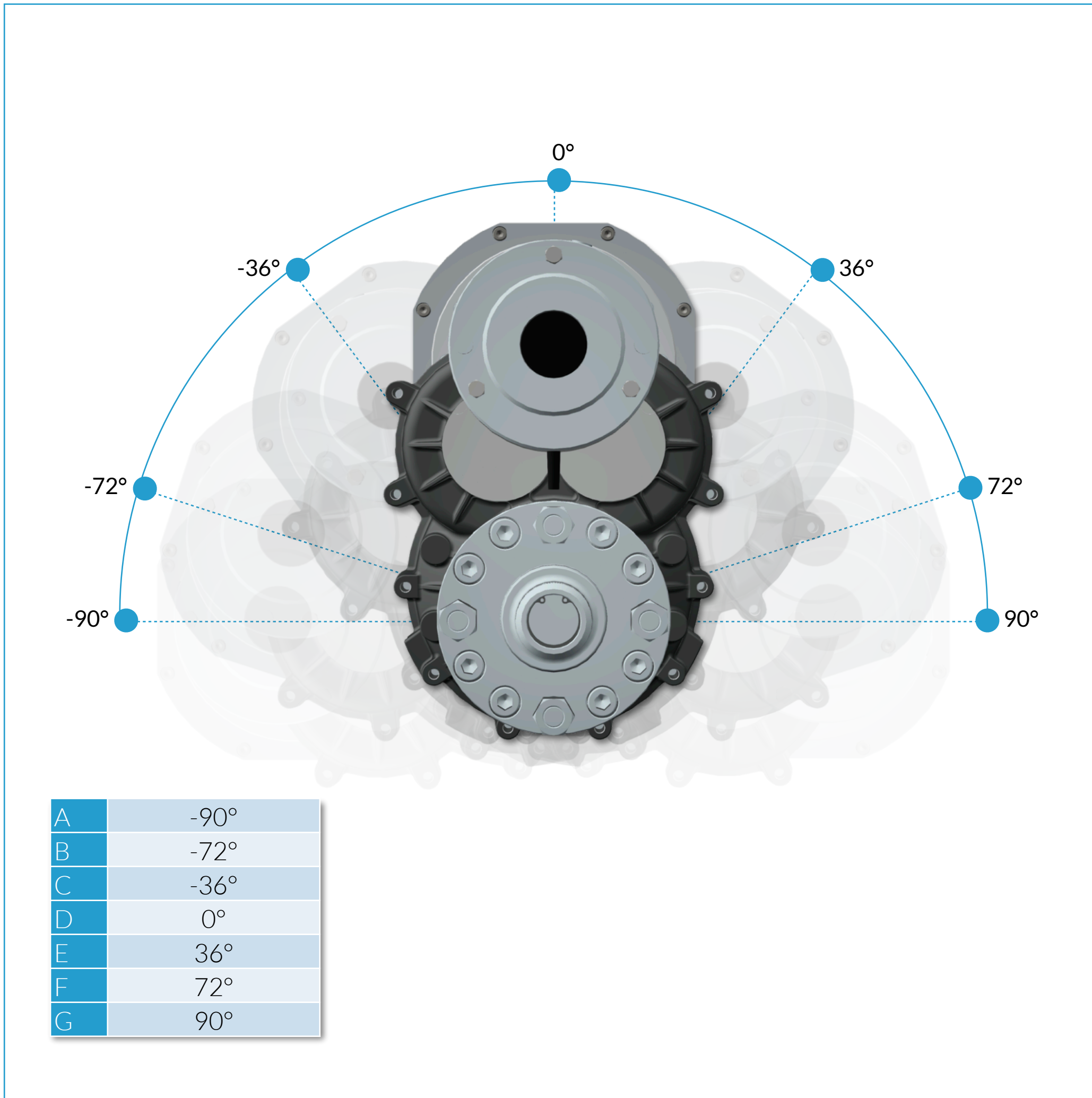
Gear Ratios	i	5 - 7 - 9 - 10 - 12 - 16 - 22 - 27 - 35 - 43 - 56 - 80
Output Torque	Nm	1.600
Input Speed (Max)	Rpm	7.200
Static Load	kg	1.600
Axle Type		Full floating
Track-width	mm	560 ÷ 1.988
Efficiency (Mechanical)	%	95
Gears Finishing		Class 5
Differential Type		Open type with four pinions
Differential Lock		Mechanical (option)
Service Brakes		Hydraulic and Mechanical
Fixation System		Mounting brackets
Wheels Fitting		Hub piloted 5 studs

ELECTRIC MOTOR FEATURES

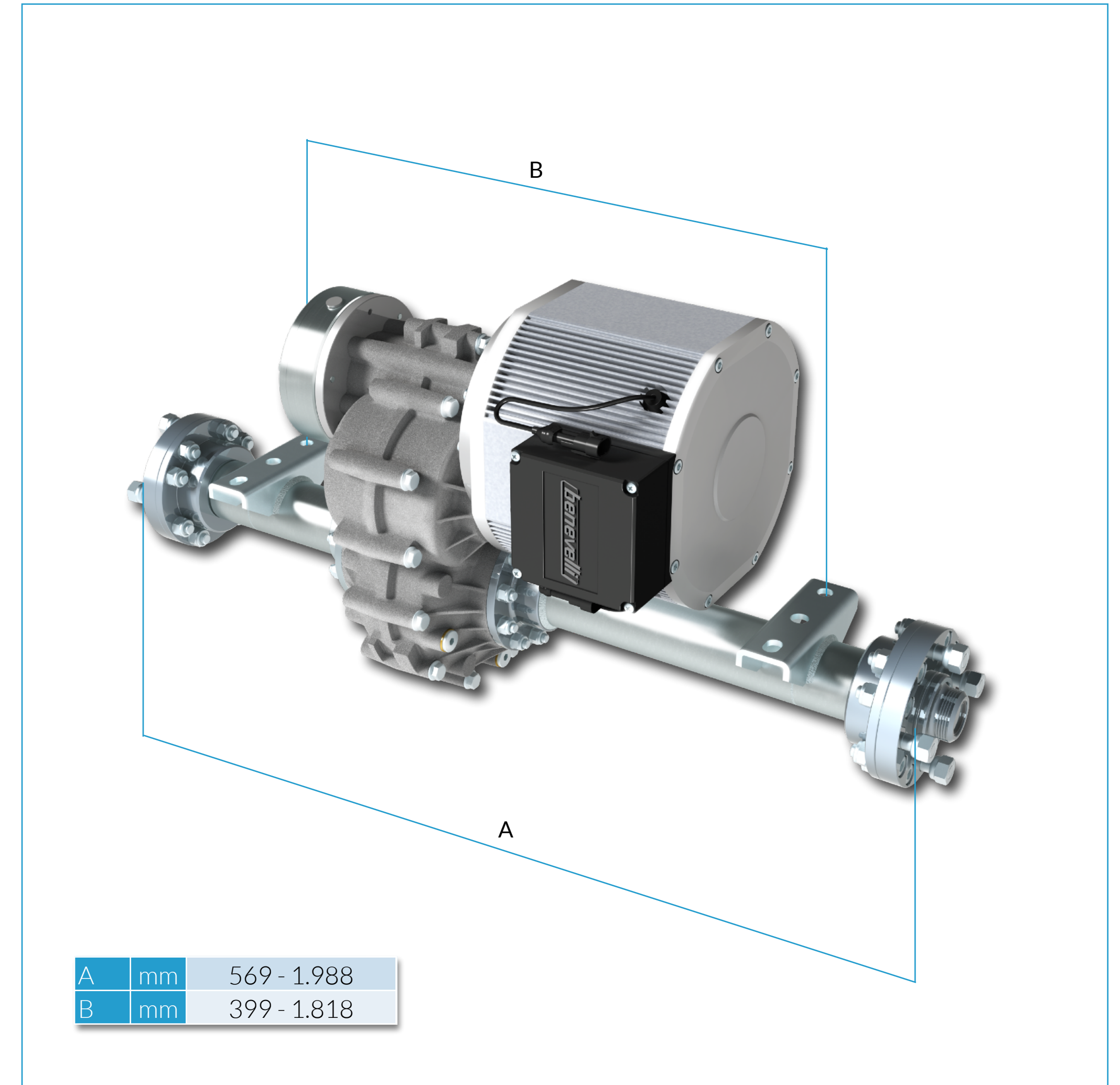
Motor Type		AMAC Serie - AC Induction	SMAC Serie - PMAC (IPM)
Power Range (Continuous)	kW	3,0 ÷ 19,0	5,0 ÷ 30,0
Power Range (Peak)	kW	Up to 30,0	Up to 60,0
Rated Voltage	V	24 ÷ 650	24 ÷ 650
IP Rating	IP	20 - 54 - 66 - 67 - 6k9k	20 - 54 - 66 - 67 - 6k9k
Motor Feedback		Hall effect 64 pulse	SinCos (resolver option)
Thermal Class		F	F
Thermal Protection		KTY 84-130	KTY 84-130
Connections		Terminal box (flying cables option)	Terminal box (flying cables option)
Cooling		Self Cooled or Liquid Cooled	Self Cooled or Liquid Cooled
Parking/Safety Brake		Electromagnetic	Electromagnetic
Braking Torque	Nm	20 ÷ 100	20 ÷ 100
Manual Release		Option	Option

CATALOG DRAWINGS ARE REPRESENTATIVE.
BEFORE FINAL DESIGN, REQUEST A CERTIFIED DRAWING.

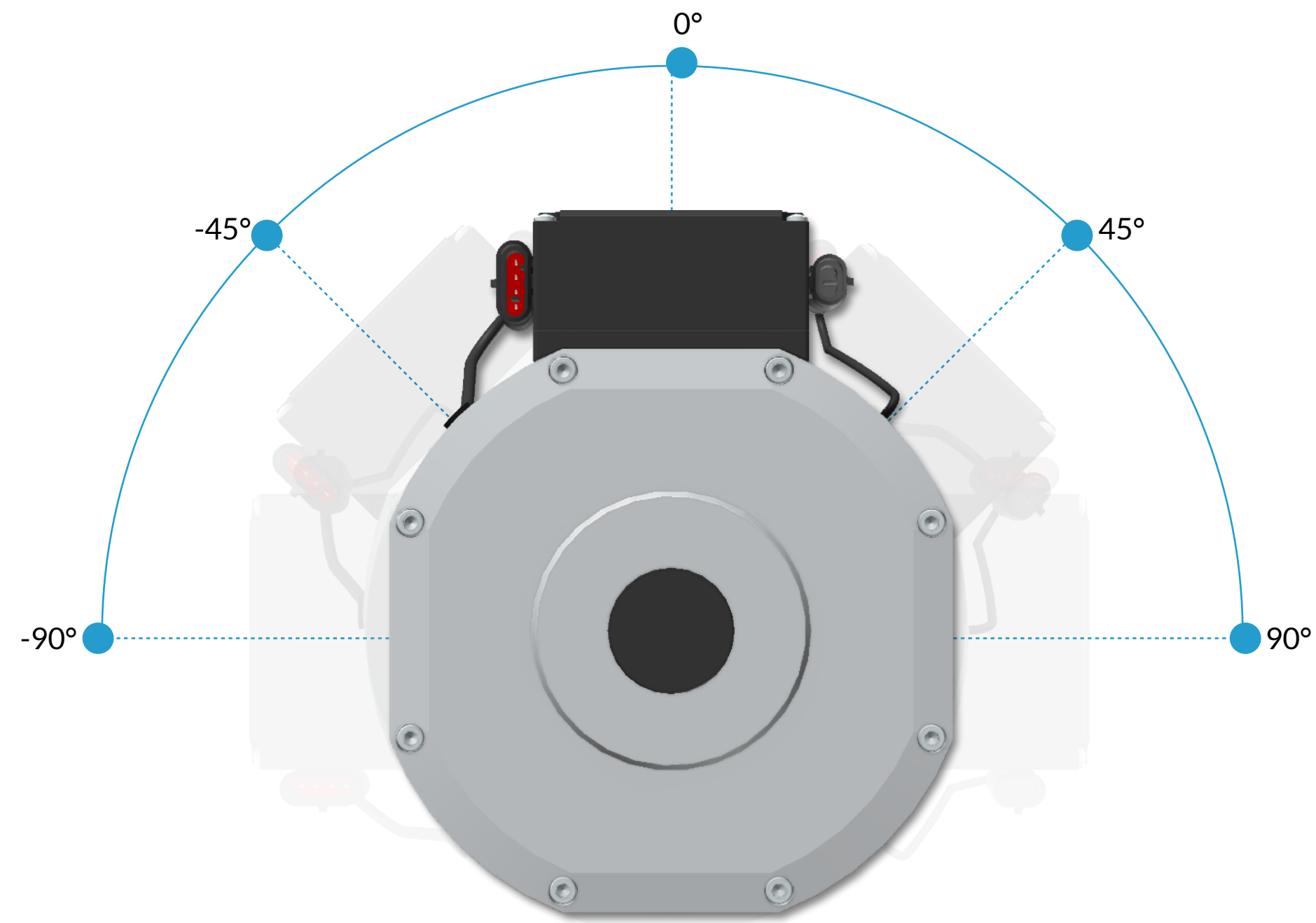
TRANSAXLE - MOUNTING ROTATION



TRANSAXLE - TRACK-WIDTHS

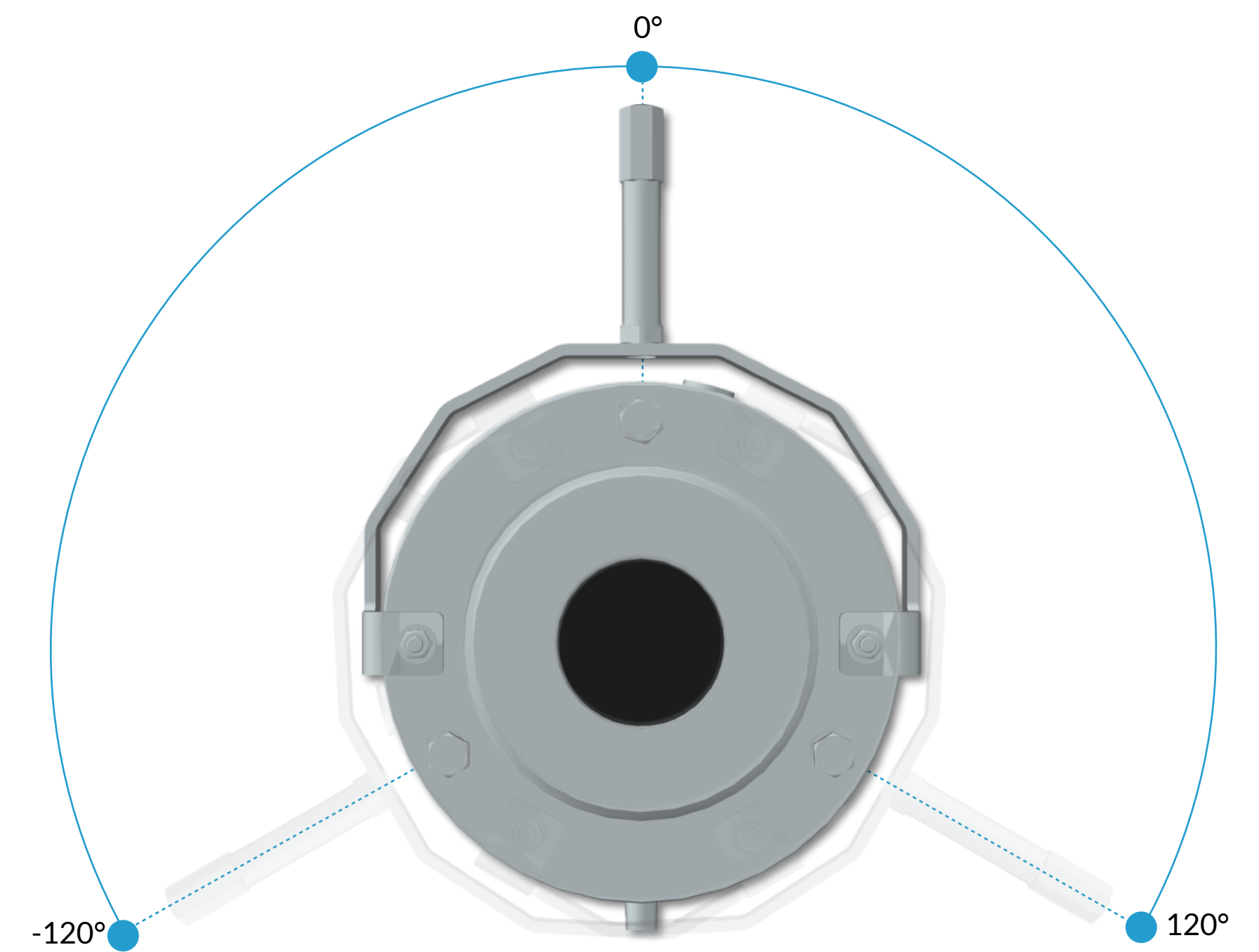


ELECTRIC MOTOR - MOUNTING ROTATION



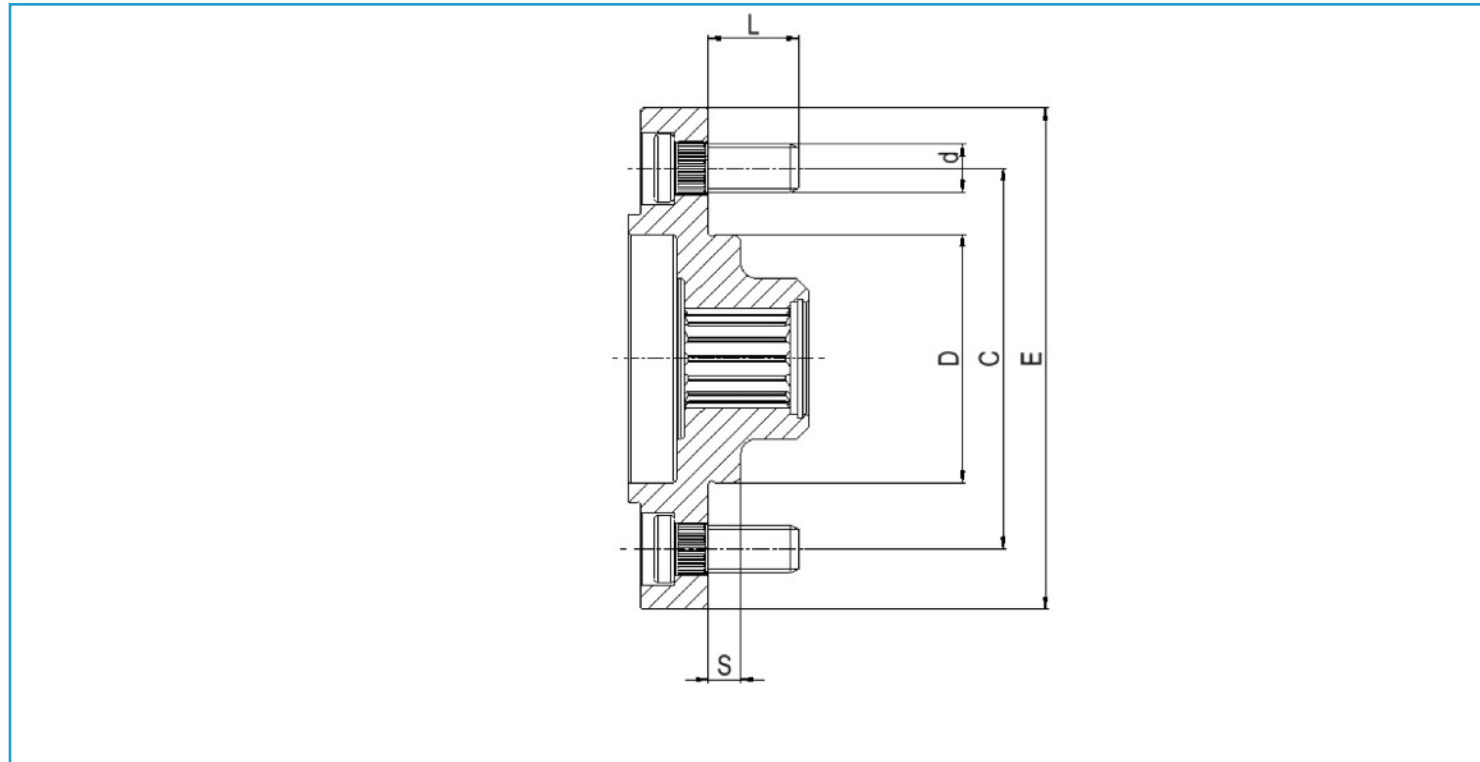
A	-90°
B	-45°
C	0°
D	45°
E	90°

EM BRAKE - MOUNTING ROTATION



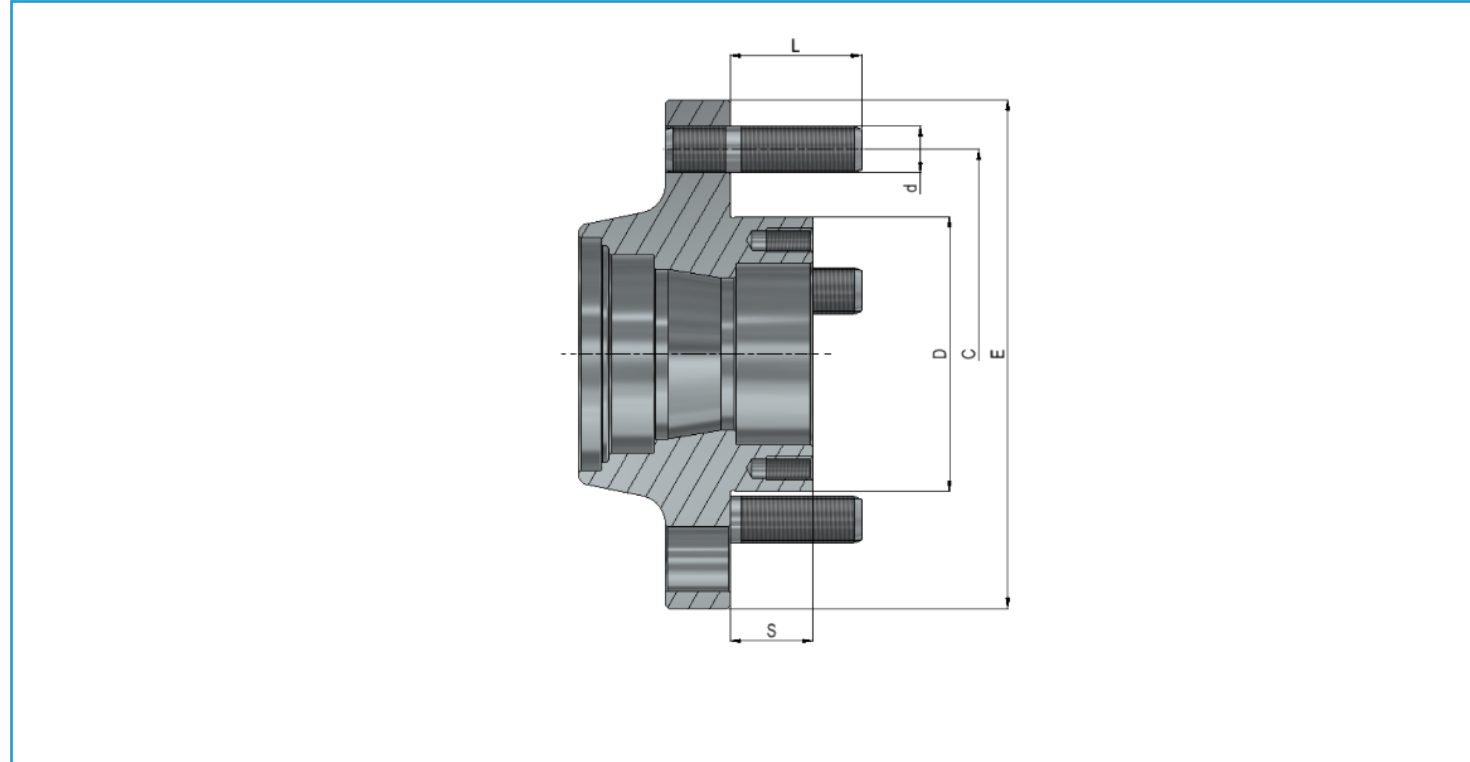
A	-120°
B	0°
C	120°

TX2 WHEELS FITTING - WHEEL HUBS



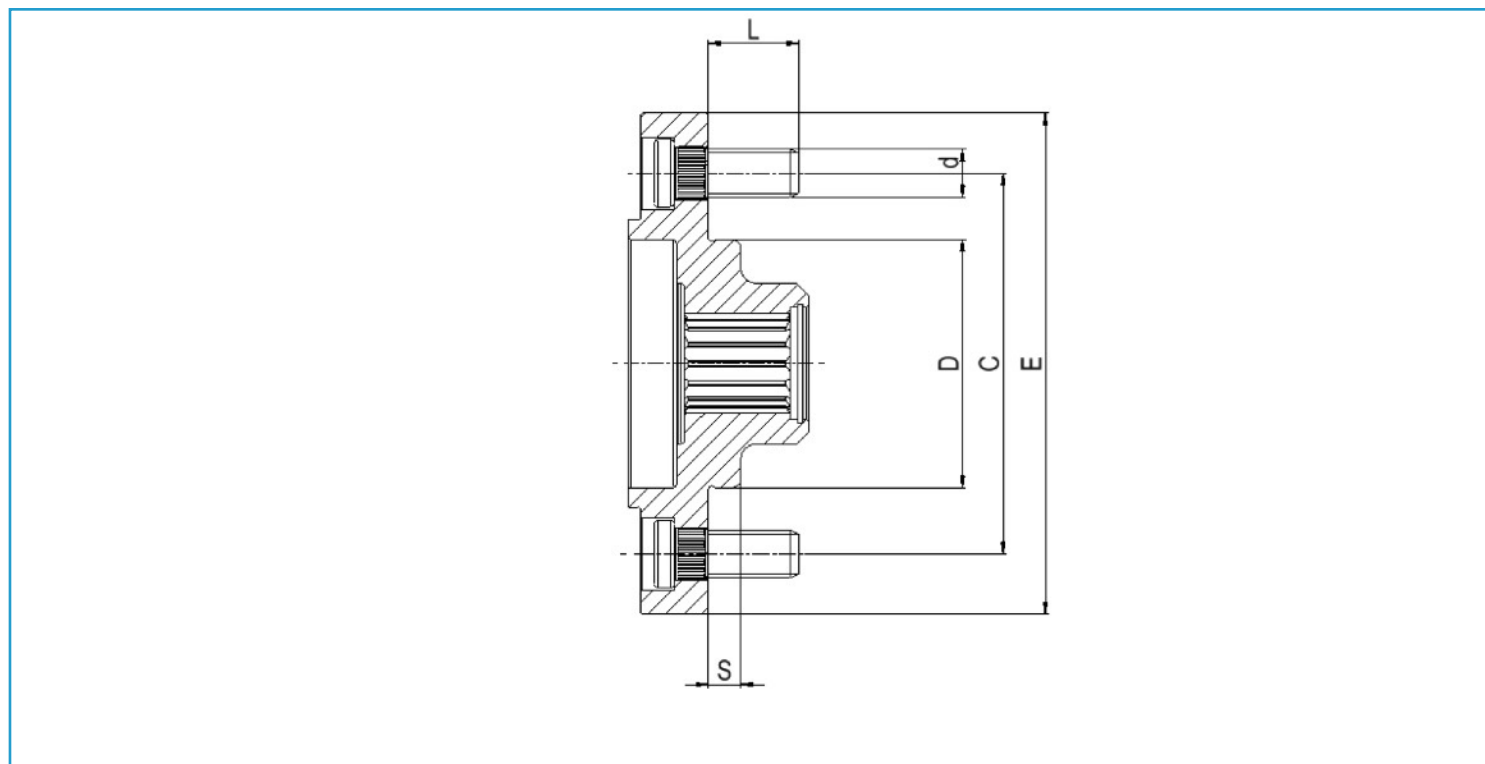
Code	Type	E	D	C	M	L	N°	S
49.08.3611	Balilla	125	62	95	M12x1.5	22.5	4	8
49.08.3612	Fiat	125	58	98	M12x1.5	22.5	4	8
49.08.3613	BMW	125	60	100	M12x1.5	22.5	4	8
49.08.3614	Special	135	66	110	M12x1.5	22.5	4	8
49.08.3615	USA	125	60	101.6	M12x1.5	22.5	4	8
49.08.3616	Tedesco	125	57	100	M12x1.5	22.5	4	8
49.08.3618	Francia	138	85	115	M10	30	4	8
49.08.3619	Special	125	55	100	M12x1.5	22.5	4	8
49.08.3630	Special	164	94	-	-	-	-	-
49.08.3633	Internat.	164	94	140	M16x1.5	45	5	8
49.08.3634	Special	154	80	130	M14	-	4	8
49.08.3635	USA Spec.	137	63,5	114,5	M12x1,5	22,5	5	8

TX2 PLUS WHEELS FITTING - WHEEL HUBS



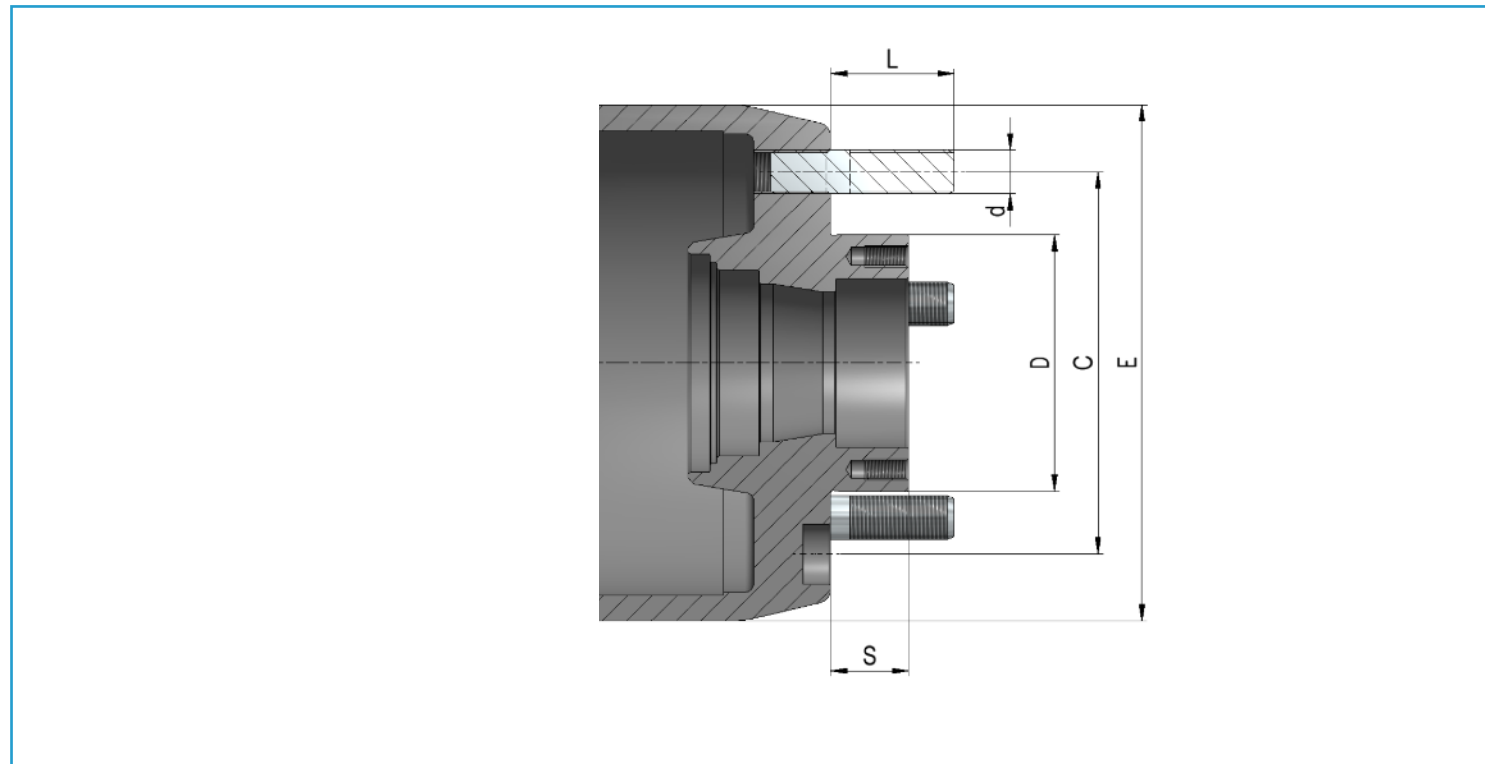
Code	Type	E	D	C	M	L	N°	S
49.08.3631	Internat.	174	94	140	M16x1.5	45	5	28.5
49.08.3638	Special	174	108.2	139.7	M12x1.5	25	6	12

TX2 WHEELS FITTING - DRUM BRAKES



Code	Type	E	D	C	M	L	N°	S
49.08.3611	Balilla	125	62	95	M12x1.5	22.5	4	8
49.08.3612	Fiat	125	58	98	M12x1.5	22.5	4	8
49.08.3613	BMW	125	60	100	M12x1.5	22.5	4	8
49.08.3614	Special	135	66	110	M12x1.5	22.5	4	8
49.08.3615	USA	125	60	101.6	M12x1.5	22.5	4	8
49.08.3616	Tedesco	125	57	100	M12x1.5	22.5	4	8
49.08.3618	Francia	138	85	115	M10	30	4	8
49.08.3619	Special	125	55	100	M12x1.5	22.5	4	8
49.08.3630	Special	164	94	-	-	-	-	-
49.08.3633	Internat.	164	94	140	M16x1.5	45	5	8
49.08.3634	Special	154	80	130	M14	-	4	8
49.08.3635	USA Spec.	137	63,5	114,5	M12x1,5	22,5	5	8

TX2 PLUS WHEELS FITTING - DRUM BRAKES



Code	Type	E	D	C	M	L	N°	S
49.08.3620	Internat.	189	94	140	M16x1.5	45	5	28.5
49.08.3662	Special	189	108.2	139.7	M12x1.5	25	6	12
49.08.3623	Special	189	110	145	M14x1.5	30	5	12

ORDER CODE

1	2	3	4	5	6
91	0	0	0	0	0

1	Product Category
91	Electric Transaxles

2	Serie
2	TX2 Serie

3	Gear Ratio	
1	1:10,17	
2	1:12,64	
3	1:16,10	
4	1:22,28	
5	1:27,69	
6	1:34,41	
7	1:35,26	
8	1:43,81	
9	1:55,80	
A	1:07,05	
B	1:03,05 *	
C	1:05,67	
D	1:08,98	
E	1:80,11	

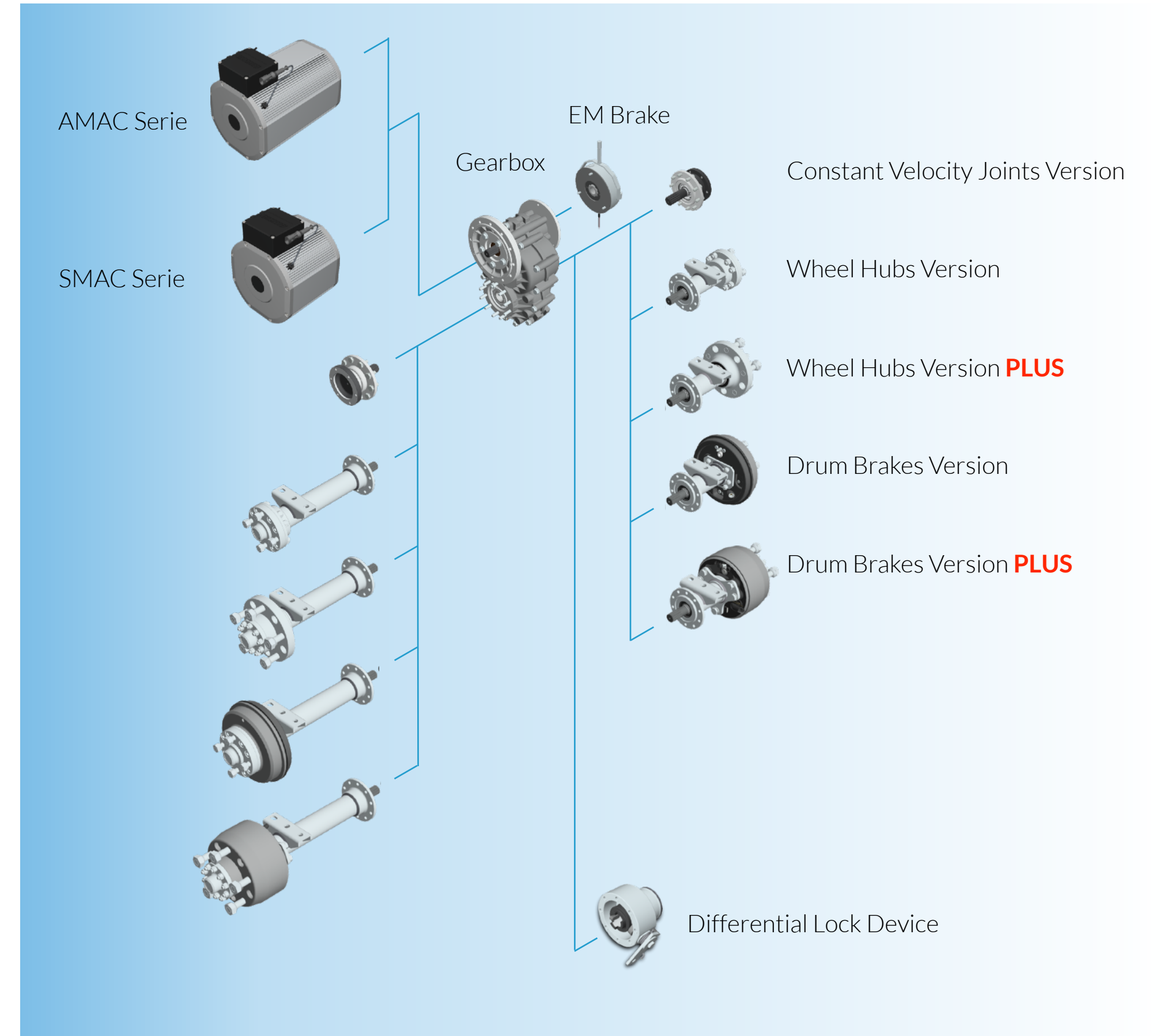
*Transfer Case without Differential

4	Motor	
0	None	
7	AMAC Serie	
8	AMAC Serie + EM Brake	
9	SMAC Serie	
10	SMAC Serie + EM Brake	

5	Configuration	
0	None	
1	CVJ	
3	Wheel Hubs	
4	Drum Brakes PLUS	
5	Drum Brakes	
7	Wheel Hubs PLUS	

6	Version	
00	Version 00	
01	Version 01	
...	Version ...	

CONFIGURATIONS



TX2 SERIE | Electric Transaxles | Product Guide v1.1

Ratings, features, and characteristics depending upon the model and type of service, application approvals must be obtained from Benevelli. We reserve the right to change or modify our product specs, configurations or dimensions at any time without notice.



DRIVING THE FUTURE OF ELECTRIC VEHICLES

Learn More

All Products



Benevelli Group

VIA SALERNO 28

42048 RUBIERA RE

ITALY

+39-0522-626250

