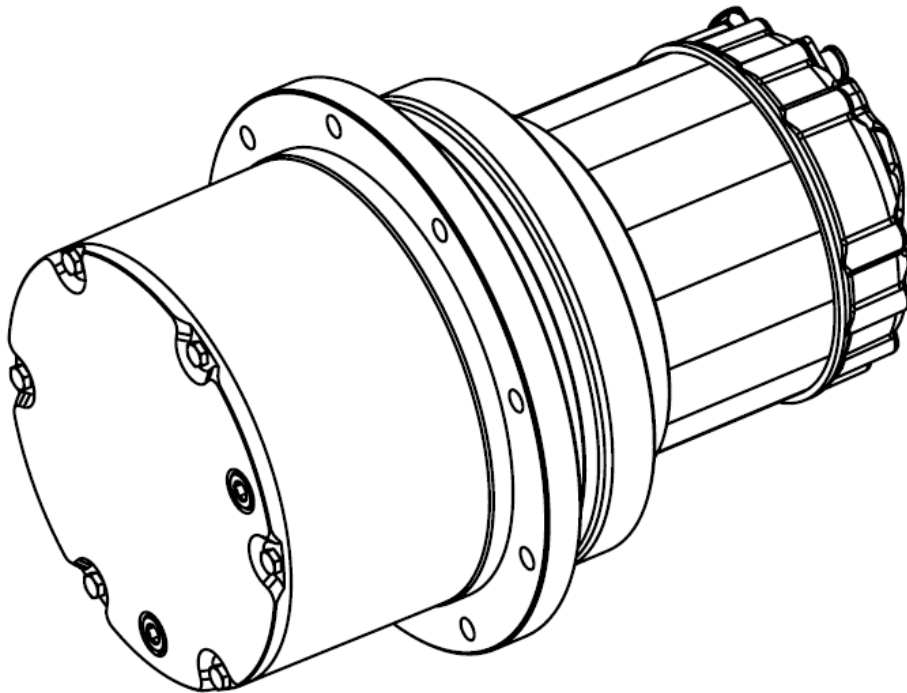


I&W

Electric Final Drive M200 (96V)

Typ: M200-102-18-i132.2-B12V

Datasheet
v2020.07



Performance Characteristics

General Information

Ambient Temperature	-20°C to 25°C*
Insulation Class EN 60034-1	F(155°C)
Enclosure Type DIN EN 60529	IP67 (Connector Mated) IP69k optional

*Derating for higher Temperatures

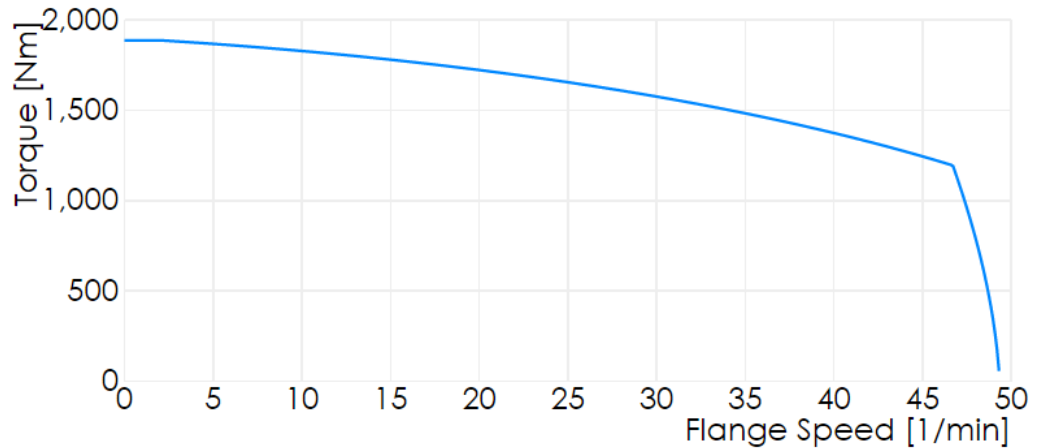
Drive

Engine Type	Permanentmagnet-Synchronous
Number of Poles	8
Reducer Ratio	133.2
Weight	50kg
Peak Torque(flange)	5000 Nm
Peak Current (rms)	263 Arms
Continuous Torque @ 10 1/min (flange)	1826 Nm
Continuous Current @ 10 1/min (rms, flange)	86 Arms
Maximum Speed @ 96 V	49.3 1/min
Torque Constant @ motor shaft	0.17 Nm / Arms
Back EMF Constant (Line to Line, peak, rpm @ motor shaft)	14.6 V / 1000 min ⁻¹
Electrical Resistance (Rs) @ 25°C	8 mΩ
Electrical Inductance @ 1kHz (Lq/Ld)	86 μH/74 μH

Mechanical Brake

Type	Currentless Brake
Function Principle	Braked Engine Shaft
Typ. Braking Torque	5000 Nm
Activation Voltage	12V

Performance @ 96VDC, Continuous



Feedback

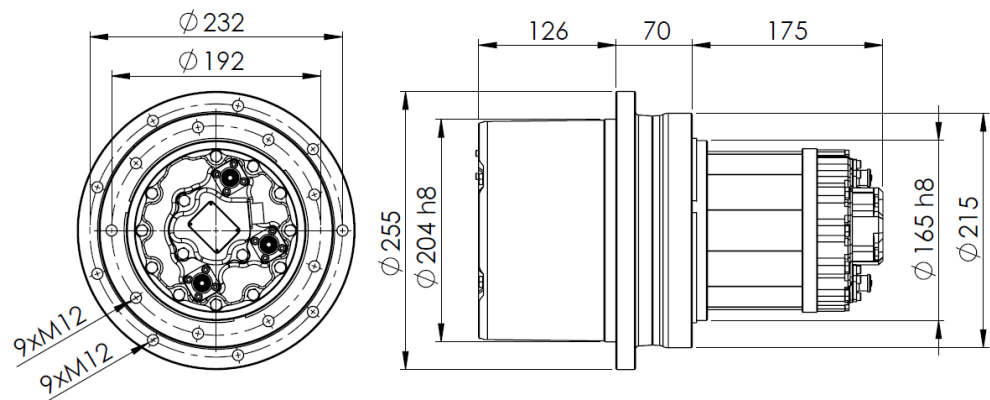
Temperature Sensor

Sensor-Type	PT 1000
-------------	---------

Angle Sensor -SIN/COS (standard)

Sensor-Type	SIN/COS-Encoder
Power Supply (V_{dd})	5V +/-5%
Power Consumption	20mA
Output Amplitude	1.1 +/-0.2V _{pp}
Output Offset	$V_{dd}/2$ +/- 5mV
Internal serial Impedance	720Ω

Dimensions and Load

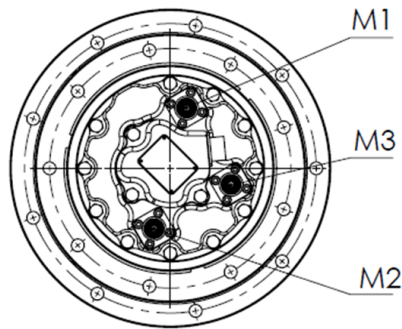


Bearing

F _{DYN}	2x48500N
F _{STAT}	2x67500N

Connections

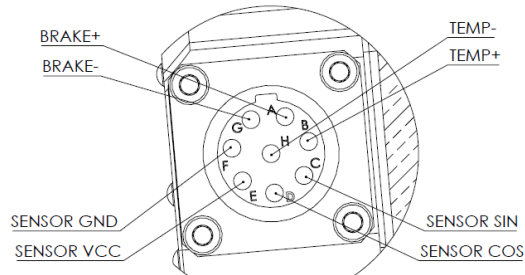
Power connections



Connector	AMPHENOL SURLOCK PLUS
Part number	SLPPA16BSO
Included	No

Cable-size	16mm ²
Cable Dia.	8.1 +/-0.2mm
Included	No

Signal Connections (SIN/COS)



Connector	Amphenol Ecomate RM
Part number	RT06128SNH
Included	No