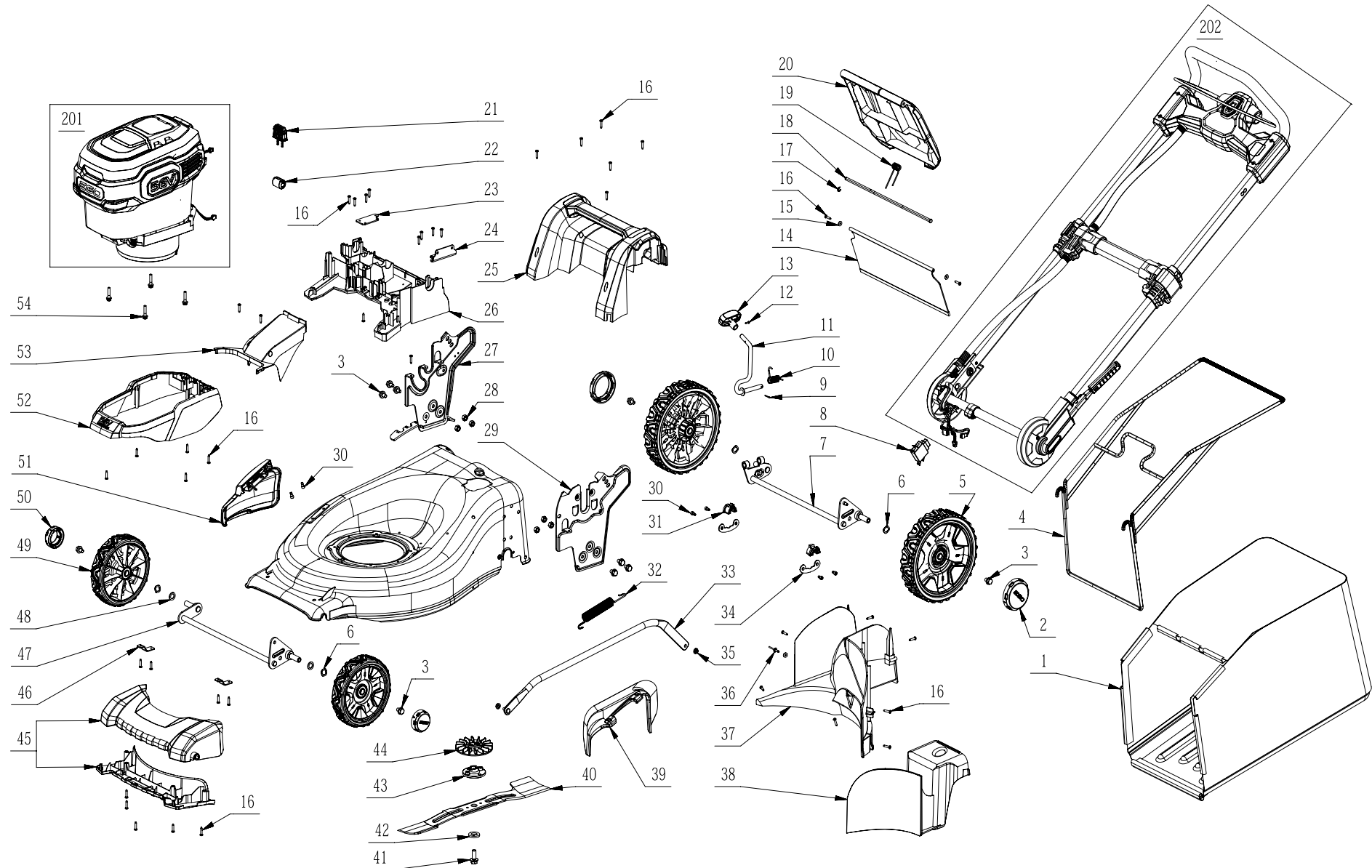




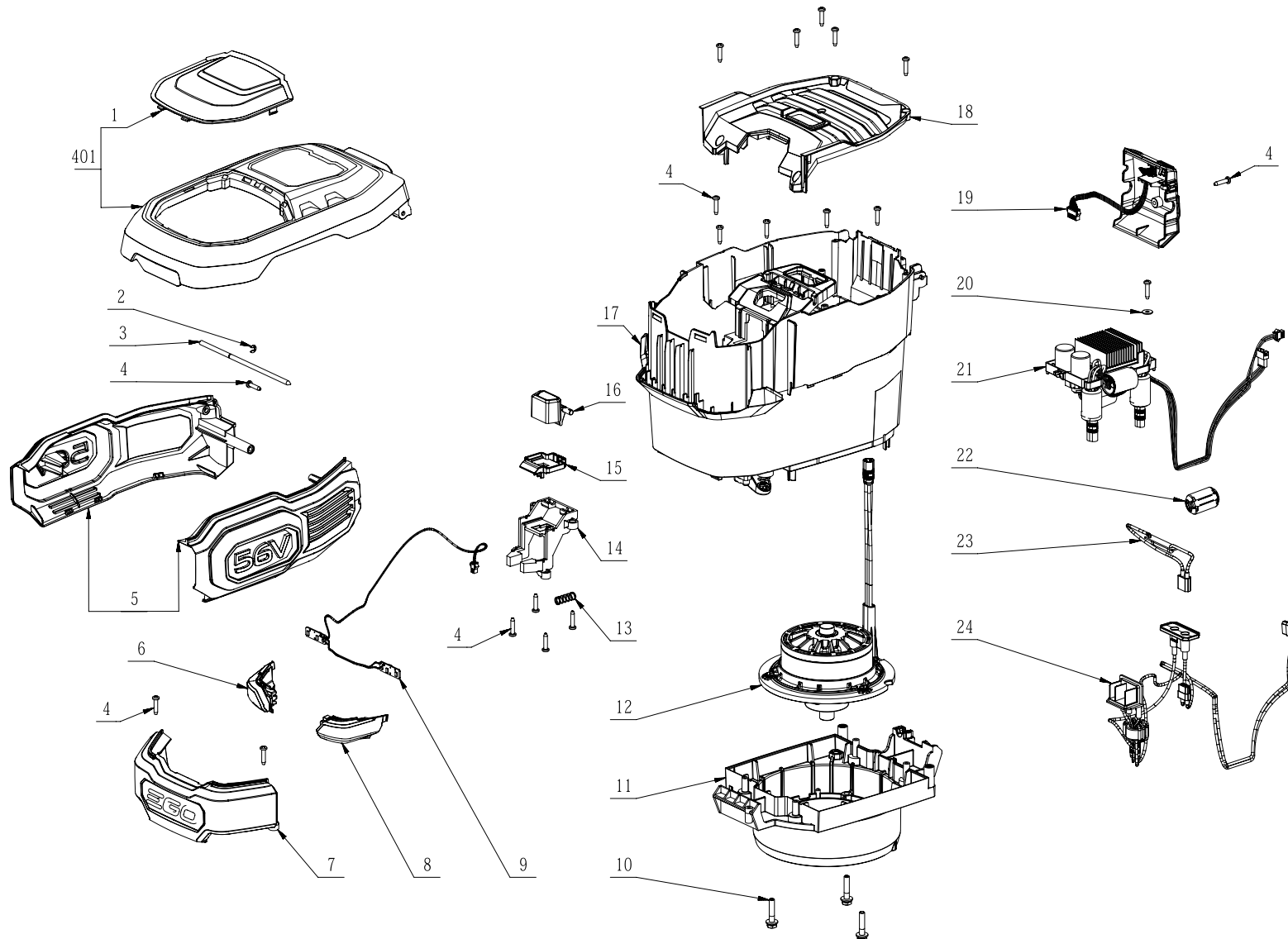
Product Description:Lawn Mower
Model Number:LM2020E
Body Number:1000007001_S
Version: A
Issue Date: 2020/06/06





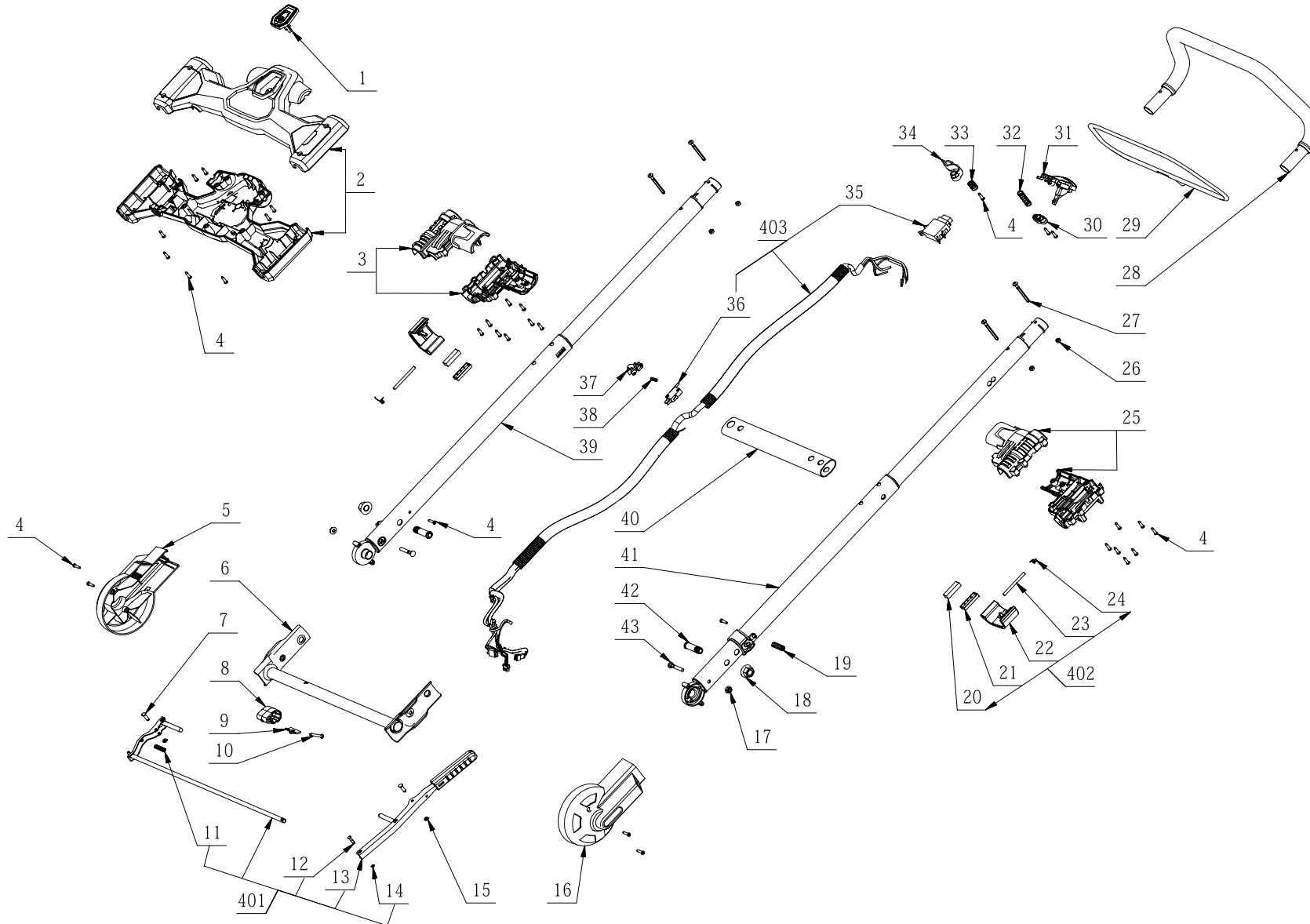
Product Description:Lawn Mower
Model Number:LM2020E
Body Number:1000007001_S
Version: A
Issue Date: 2020/06/06

201





Product Description:Lawn Mower
Model Number:LM2020E
Body Number:1000007001_S
Version: A
Issue Date: 2020/06/06





Repair Parts_Lawn Mower_4906(LM2020E)

Index No.	Art. No.	Description	QTY in machine	Weight (g)	Size LxWxH (mm)	MPQ	Repairable or Not?	Standard Repair Time (min.)
1	3800110002	Grass Catcher	1	715.5	588x401x113	1	Y	1
2	3126765001	Hubcap	2	24	81.7x81.1x19.8	1	Y	1
3	5640010003	Hexagon Flange Bolt	10	12	6x8x12	10	Y	1
4	3650172001	Bag Frame	1	1322.5	588x401x413	1	Y	2
5	2824273001	Wheel Assembly	2	674	232x232x56	2	Y	2
6	5650453001	Waste Washer	4	0.4	13x20x5	10	Y	3
7	2824346001	Rear Axle Set	1	842	485.5x90x112	1	Y	15
8	4870566002	Push Switch	1	35	52.5x36.5x17.9	1	Y	10
9	5670184002	Pin	1	0.5	φ2x15	1	Y	20
10	3660606001	Torsion Spring	1	14	φ15.8x35	1	Y	20
11	2824882001	Height Adjusting Bar	1	165.7	94x51x133.6	1	Y	15
12	5620033010	Screw	1	0.87	3x3x10	10	Y	2
13	3128692001	Height Adjusting Lever	1	22	61.5x22.4x50	1	Y	2
14	3128114001	Trail Shield	1	200	400x160x2.5	1	Y	5
15	565004001	Plain Washer	3	0.74	4x4x1.5	10	Y	2
16	5620157006	Hexagon Socket Screw	41	1.95	4.2x4.2x19	10	Y	1
17	5660139002	E Ring	1	0.4	6x6x1	10	Y	5
18	5670457001	Shaft	1	100	φ7x365	1	Y	1
19	3660559001	Torsion Spring	1	15	15.2x15.2x25	1	Y	10
20	3127944001	Rear Cover	1	279	336x254.8x46.6	1	Y	10
21	5680196001	Key	1	24	43.5x52x18	1	Y	1
22	3680223001	Magnetic Block	1	28	23.5x22.2x36	1	Y	1
23	3706195001	Right Fixing Block	1	40	70x35x2.5	1	Y	15
24	3706196001	Left Fixing Block	1	75	79.5x35x30	1	Y	15
25	2825016001	Motor Top Cover Assembly	1	511	370x216x196	1	Y	1
26	3126984001	Rear Cover	1	388.8	352x230x122.7	1	Y	30
27	2824721001	Support ASSY	1	905	267x58.5x257.6	1	Y	30
28	5630271001	Nut	6	4.5	13x15x8.5	10	Y	30
29	3706155001	Support Plate	1	947.8	260.5x48x245	1	Y	10
30	5630213003	Hexagon Socket Screw	6	3.4	M5x10	10	Y	30
31	3127960001	Pivot Shoe	2	8.26	35x13.5x21.5	1	Y	15
32	3660609001	Tension Spring	1	150.5	22.5x168	1	Y	5
33	2824128001	Connecting Rod ASSY	1	503.5	620x12x108	1	Y	10
34	3705261001	Mounting Plate	2	16	69x35x25	1	Y	19
35	5630013003	Prevailing Torque Hexagon Nut	2	3.5	6x6x5.7	10	Y	1
36	5680200001	Rivet	1	5.1	φ4x12	1	Y	3
37	3127956001	Rear Enclosure	1	653	445x270x211	1	Y	30
38	3127949001	Mulch Plug	1	282	234x225x161	1	Y	1
39	3127950001	Side Discharge Chute	1	216	363x175x155	1	Y	2
40	3706023001	Blade	1	616.5	494x14.5x102	1	N	/
41	5640226001	Flange Bolt	1	26	10x10x25	10	Y	2
42	5650510001	Washer	1	14	16.7x30x4	10	Y	2
43	3520852002	Motor Bushing	1	111.5	16.7x62x16.8	1	Y	2
44	3127847001	Fan	1	42	23.5x100x12.8	1	Y	2
45	2824527001	Top Cover ASSY	1	415	382x146x86	1	Y	10
46	3705216001	Mounting Plate	2	12	49.5x17x17	1	Y	1
47	2824348001	Front Axle Set	1	716.5	485.5x82x78	1	Y	15
48	5650032003	Plain Washer	2	5.5	φ12x2	10	Y	3
49	2823662001	Wheel Assembly	2	393.5	180x180x49.7	1	Y	2
50	3126769001	Hubcap	2	14	55x55x21.7	1	Y	1
51	2824255002	Guard ASSY	1	172	216x151x85	1	Y	5
52	3127951001	Housing Cover	1	210	234x384x86	1	Y	10
53	3128686001	Service Cover	1	99.8	189x130x204.5	1	Y	5
54	5640217001	Bolt and Washer Set	4	9	M6x30	10	Y	1
201	2824821005	Power Unit	1	4734.4	345x260x345	1	Y	10
202	2824960002	Handle ASSY	1	4490	1150x501x256	1	Y	10
201-1	3127900001	Transparent Guard	1	50	126x157x35	1	Y	3
201-2	5660003003	E Ring	1	0.2	9x9x1	10	Y	10
201-3	5670380001	Pin	1	27	5x163.5	1	Y	10
201-4	5610042014	Tapping Screw	19	1.95	4.2x19	10	Y	3
201-5	3900068001	Decorative Cover ASSY	1	220	336x138x116	1	Y	10
201-6	2824935001	Right Transparent Cap ASSY	1	10	59x61x33	1	Y	15
201-7	2824901001	Front Cover ASSY	1	65.5	67x78x206	1	Y	15
201-8	2824902001	Left Transparent Cap ASSY	1	10	59x61x33	1	Y	15
201-9	2830182001	Electric Assembly	1	8.9	80x140x20	1	Y	20
201-10	5640217002	Bolt and Washer Set	3	9	M6x30	10	Y	1
201-11	2825644001	Base Assembly	1	453	284x175x84	1	Y	20
201-12	2730253001	DC Motor	1	2100	156x156x113	1	Y	20
201-13	3660303002	Spring	1	0.5	9x25	10	Y	15
201-14	3126782001	Fixed Unit	1	28	79.3x71x68	1	Y	15
201-15	3126772001	Sliding Block	1	8.13	48.9x44x17.5	1	Y	15
201-16	3126760001	Release Button	1	14	46x33.3x37	1	Y	15
201-17	2825620001	Battery Box ASSY	1	780.6	222.6x235.3x36.3	1	Y	10
201-18	3127879001	Inner Cover	1	98	126x150x51	1	Y	2
201-19	2825833001	LED Cover ASSY	1	42	97x86x37	1	Y	5
201-20	565004001	Plain Washer	1	0.74	4x4x1.5	10	Y	10
201-21	2830191002	Electric Assembly	1	427.6	150x150x70	1	Y	30
201-22	3680226001	Magnetic Block	1	28	23.5x22.2x36	1	Y	20
201-23	2830216001	PCB Assembly	1	17	100x40x20	1	Y	5
201-24	2830200002	Electric Assembly	1	180	140x80x50	1	Y	20
201-401	2824903001	Battery Charger ASSY	1	298	327x208x68	1	Y	10
202-1	3127929001	Button	1	9	52.8x40.7x39.7	1	Y	25
202-2	2824422001	Switch Box Set	1	510	448x183x63.9	1	Y	25
202-3	2824426001	Right Cover Set	1	151	129x110x42	1	Y	20
202-4	5610294001	Tapping Screw	33	1.3	7x7x18	10	Y	3
202-5	3128648001	Decorative Cover	1	103.6	193x125x66.5	1	Y	5
202-6	2824717001	Spindle ASSY	1	572.2	407.6x46x130	1	Y	20
202-7	355048003	Pin	2	2.9	5x5x18.5	1	Y	5
202-8	3127087001	Switch Lever	1	11	36.5x34.5x28	1	Y	5
202-9	3128687001	Lock Cover	1	1.7	28x18x5	1	Y	10
202-10	5610276001	Hexagon Lobular Tapping Screw	1	3.3	5T4.2x30	10	Y	20
202-11	3660076005	Spring	1	1.04	12.8x16	10	Y	20
202-12	5670248001	Pin	1	1.7	4x4x16.5	1	Y	1
202-13	2825244001	Handle Lever Set	1	299.2	130x16x38	1	Y	15
202-14	5660001003	E Ring	1	0.1	3x3x1	10	Y	1
202-15	5660245001	"E" Ring	2	0.2	φ9x1	10	Y	1
202-16	3128647001	Decorative Cover	1	98	193x125x66.5	1	Y	15
202-17	5630013003	Prevailing Torque Hexagon Nut	2	3.5	6x6x5.7	10	Y	1
202-18	5630268001	Nut	2	16.2	12x12x1.25	10	Y	20
202-19	3660565001	Compression Spring	1	3.92	9.6x9.6x28	10	Y	10
202-20	3126832001	Rubber Block	1	3.94	37x10x9.2	1	Y	10
202-21	3126761001	Clamp Block	1	1.7	40.2x12.9x6.6	1	Y	10
202-22	3126790002	Control Handle	1	28	76.2x40x32	1	Y	10
202-23	5670191002	Parallel Pin	1	9.1	φ5x60	1	Y	1
202-24	3660568001	Torsion Spring	1	0.45	7.3x4.4	10	Y	1
202-25	2824427001	Left Cover Set	1	151	129x110x42	1	Y	15
202-26	5630006002	Prevailing Torque Hexagon Nut	4	2	5x5x4.8	10	Y	5
202-27	5610064005	Thread Forming Screw	4	7.63	5x55	10	Y	10
202-28	2823782001	Sheath ASSY	1	465	442x123x188	1	Y	20
202-29	2824118001	Control Handle ASSY	1	340	356x179.7x8	1	Y	25
202-30	3126763001	Clamp	1	2.92	34x17x11.7	1	Y	25
202-31	3127908001	Switch Lever	1	17	81x32.5x27.7	1	Y	25
202-32	3660562001	Compression Spring	1	1.3	10.9x10.9x38	10	Y	25
202-33	3660814001	Compression Spring	1	1.1	12.8x17	10	Y	10
202-34	3127909001	Switch Actuator	1	5.5	46.7x29.4x20.9	1	Y	20
202-35	4870566001	Push Switch	1	35	52.5x36.5x17.9	1	Y	10
202-36	4870500001	Micro Switch	1	7.6	28x16x9.7	1	Y	20
202-37	3126768001	Switch Actuator	1	2.11	28x28x12	1	Y	20
202-38	3660287002	Spring	1	0.55	5x15.3	10	Y	20
202-39	2827492001	Right Telescope Tube Assembly	1	435	37.8x22.2x999	1	Y	35
202-40	3705393001	Intermedium Tube	1	131	41x25x190	1	Y	15
202-41	2827491001	Left Telescope Tube Assembly	1	435	37.8x22.2x999	1	Y	35
202-42	3551900001	Sieve	2	18	12x12x39	1	Y	15
202-43	5640168001	Square Neck Bolt	2	7.92	6x6x35	10	Y	15
202-401	2827463001	Lock Assembly	1	531	458x105x16	1	Y	20
202-402	2823714002	Control Handle Set	2	43	77x40x33	1	Y	10
202-403	2824755002	Switch Assembly	1	260	220x220x55	1	Y	30