

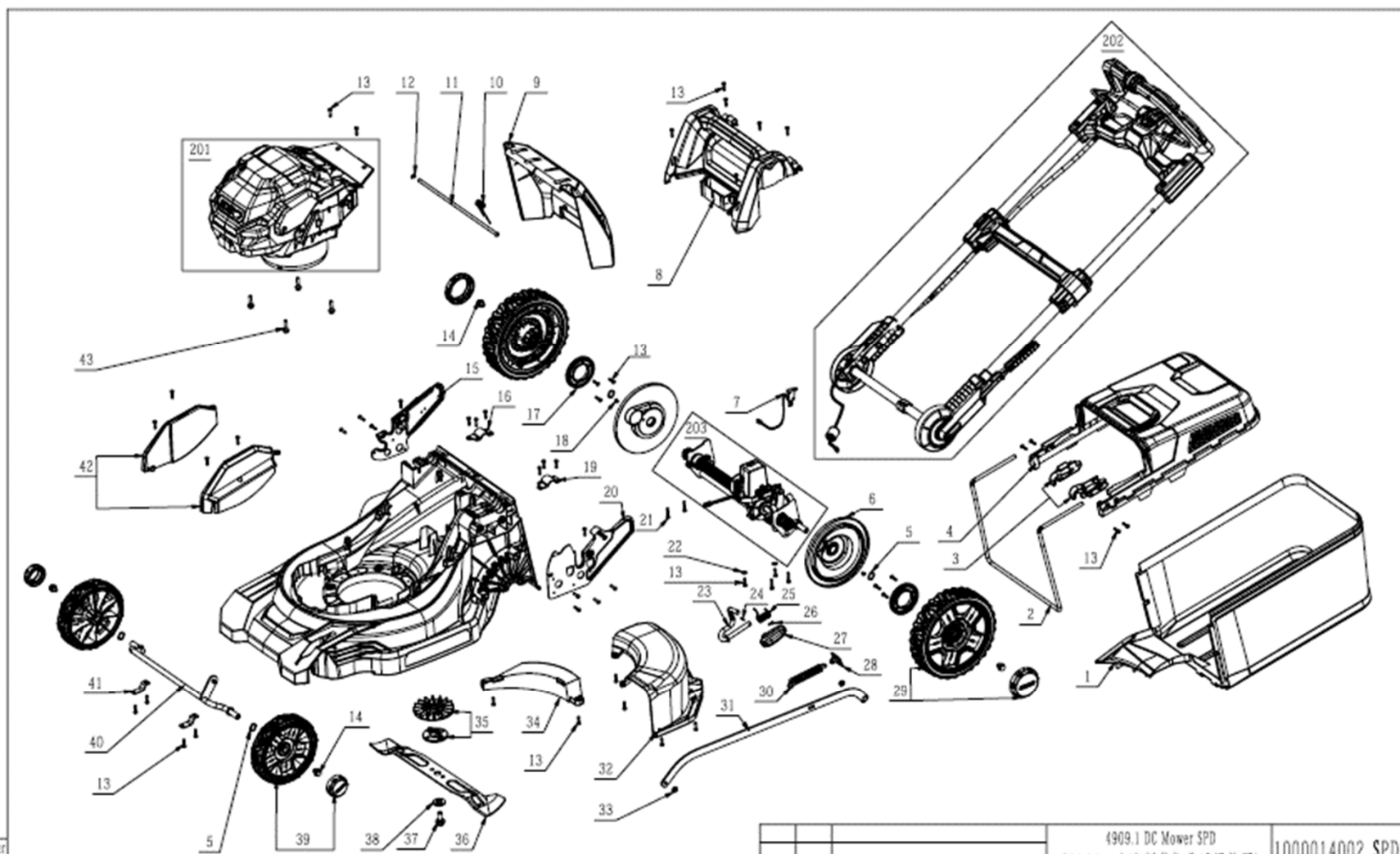


Model No.	LM1903E-SP
-----------	------------

Index No.	Service Part No.	Description	QTY in machine	Weight (g)	Size LxWxH (mm)
1	3800147001	Grass Catcher Assembly	1.0	800.0	668.8x316.2x247
2	3706590001	Bag Frame	1.0	428.6	325.5x141.7x265.5
3	3900087001	Pothook Assembly	1.0	44.7	96.3x32.3x32.3
4	2826309001	Cover Assembly	1.0	580.4	515.2X324X141.1
5	5650453001	Wave Washer	4.0	0.4	13x20x3
6	3128946001	Protecting Cap	2.0	77.5	Φ189x30.1
7	2826165001	Switch Assembly	1.0	34.7	38x30x10.3
8	2825932001	Service Cover Assembly	1.0	400.6	348.3x204.7x175.1
9	3129298001	Rear Cover	1.0	352.3	308.8x280.5x111.9
10	3660559001	Torsion Spring	1.0	15.0	15.2x25
11	5670487001	Shaft	1.0	104.1	Φ7x344.2
12	5660139002	E Ring	1.0	0.4	6
13	5620157006	Hexagon Socket Screw	50.0	1.95	M4.2x19
14	5640010003	Hexagon Flange Bolt	4.0	12.5	M8x12
15	2825957001	Support ASSY	1.0	442.8	222.6x158.3x42
16	3706864001	Mounting Plate	1.0	44.9	64.4x29.5x17.3
17	3520933001	Gear	2.0	120.0	Φ82x8
18	5620067010	Screw	2.0	1.0	M4x8
19	3706719001	Mounting Plate	1.0	44.9	64.4x29.5x17.3
20	3706717001	Support Plate	1.0	596.9	267.6x152x23.5
21	5620480002	Screw	4.0	3.5	ST4.2x25
22	5650004001	Plain Washer	2.0	0.74	4
23	2825933001	Handle Lever Set	1.0	144.6	94x49.5x97.3
24	5670184002	Pin	1.0	0.5	φ2x15
25	3660723001	Torsion Spring	1.0	15.3	35x24.7x15.8
26	5620033010	Screw	1.0	0.87	M3x10
27	3128692001	Height Adjusting Lever	1.0	22.5	61.5x22.4x50
28	3706726001	Spring Seat	1.0	17.8	35x33x18.5
29	2826674001	Wheel Assembly	2.0	802.0	Φ232x60.5
30	3660720001	Tension Spring	1.0	74.6	18.5x129.6
31	2825931001	Connecting Rod ASSY	1.0	408.9	633.2x69x20.5
32	3129547001	Cover	1.0	405.7	305.4x253.3x130
33	5630013003	Sealing Torque Hexagon N	2.0	3.5	M6

Index No.	Service Part No.	Description	QTY in machine	Weight (g)	Size LxWxH (mm)
34	3129546001	Rear Enclosure	1.0	163.3	245x165x68
35	2826616001	Fan Assembly	1.0	118.1	23.5x100x17.8
36	3706720001	Blade	1.0	586.6	465x106.5x20
37	5640226001	Flange Bolt	1.0	25.5	M10x25
38	5650510001	Washer	1.0	14.5	16.7x30x4
39	2826675001	Wheel Assembly	2.0	407.0	Φ182x49.7
40	2825956001	Front Axle Set	1.0	555.3	467.5x73.8x74.5
41	3705216001	Mounting Plate	2.0	12.5	49.5x17x17
42	3900085001	Decorative Cover ASSY	1.0	185.2	230x108.7x85.4
43	5640217001	Bolt and Washer Set	4.0	9.0	M6x30
201	2826488002	Power Unit	1.0	4126.5	405.1x259.9x308.8
202		Handle ASSY	1.0	4392.5	1071.3x481.2x244.5
203	2825970001	Self-Propelled Unit	1.0	2239.5	472x119.4x179.3
201	2826488002	Power Unit			
1	5620157006	Hexagon Socket Screw	21.0	1.95	M4.2x19
2	5650013004	Plain Washer	2.0	0.4	5
3	2826307001	Top Cover ASSY	1.0	299.2	251.4x190.8x178
4	2826306001	Battery Box ASSY	1.0	390.6	237.4x200.6x219.9
6	5680196001	Key	1.0	23.6	43.5x52x18
7	4860570001	Wiring Harness	1.0	57.0	183x40x40
8	2830414001	LED Control Electric Asse	1.0	32.9	58.4x33.4x12.3
9	2826617001	Button Unit	1.0	21.2	91.3x73.8x67.5
10	2830216002	4908 Fuse PCBA	1.0	17.0	Φ7x112
11	2830412001	4908 LED Electric Assembly	1.0	13.0	80x140x20
12	2730253001	DC Motor	1.0	2051.1	Φ156x113
13	3403069001	Bottom Support	1.0	82.0	225.5x229.2x170.7
14	5640217001	Bolt and Washer Set	3.0	9.0	M6x30
15	3129434001	Mounting Plate	1.0	177.6	222x162.3x103.3
16	2826492002	4909.1_Electric Assembly	1.0	297.5	163.7x91.8x150.2
17	2830416001	Electric Assembly	1.0	83.2	79x51.7x23
18	4860615001	Internal Wire ASSY	1.0	35.0	Φ4.8x430
19	2830413001	4908 Push Button Panel PCB	1.0	48.4	53.5x46x70.5
401	2826308001	Rear Cover ASSY	1.0	214.1	220.4x248.4x71.7
20	3322491001	Button	1.0	2.5	Φ25x16.7
402	2826310001	Battery Cover ASSY	1.0	232.4	260x235.7x139.5
5	3129442001	Transparent Guard	1.0	35.3	139.8x114.8x50.4
202		Handle ASSY			
1	3660011002	Spring	2.0	1.04	12.8x16
2	3129665001	Button	1.0	11.9	60x42.4x36.7

Index No.	Service Part No.	Description	QTY in machine	Weight (g)	Size LxWxH (mm)
3	5620161005	Hexagon Socket Screw	4.0	9.57	M5x55
4	3900081001	Switch Box ASSY	1.0	374.9	421.9x182.1x71.8
5	5630006002	Sealing Torque Hexagon N	4.0	2.0	M5
8	3680282001	Magnet Ring	1.0	54.1	13x26x28
9	2826588001	Spindle ASSY	1.0	563.3	388x140x36
10	3129714001	Switch Actuator	1.0	2.1	28x27.3x28
11	3900177001	Decorative Cover ASSY	1.0	180.7	226.5x119.9x120
12	5620157006	Hexagon Socket Screw	27.0	1.95	M4.2x19
13	5630013003	Sealing Torque Hexagon N	3.0	3.5	M6
20	5640168001	Square Neck Bolt	3.0	7.92	M6x35
21	2826080001	Internal Wire ASSY	1.0	244.7	Φ7x1400
22	2830410001	09.1 Switch Electric Assem	1.0	57.0	108.5x32.5x37.9
23	2825948001	Telescope Tube	1.0	768.9	936.7x60x52
24	3126763001	Clamp	1.0	2.92	34x17x11.7
25	3660562001	Compression Spring	1.0	1.3	10.9x38
26	5650004001	Plain Washer	1.0	0.74	4
27	3127905001	Switch Actuator	1.0	5.5	46.7x29.4x30.9
28	3127908001	Switch Lever	1.0	16.6	81x32.5x27.7
29	2826560002	Handle Set	1.0	396.2	415x131.6x200.7
30	3650208001	Control Handle	1.0	333.6	336x159.6x18.5
31	3129632001	Switch Actuator	1.0	22.2	39x24x12.5
32	3660724001	Torsion Spring	1.0	0.7	9.2x4
33	2825949001	Telescope Tube	1.0	768.9	936.7x60x52
401	2826544001	Beam Assembly	1.0	311.4	432x110.4x78.7
6	3126832001	Rubber Block	2.0	3.94	37x10x9.2
7	3129506001	Clamp Block	2.0	1.0	40.2x12.9x12.6
402	2826613001	Handle Lever Set	1.0	132.7	247.7x76.1x17
14	5630268001	Nut	1.0	16.15	M12X1.25
15	3551952001	Sleeve	1.0	18.0	M12X1.25X39
16	5660003003	E Ring	1.0	0.2	φ9x1
17	3550048003	Pin	1.0	2.9	5x18.5
18	2824250001	Handle Lever Set	1.0	113.0	248x20x76
19	3660565001	Compression Spring	1.0	3.92	9.6x28
203		Self-Propelled Unit			
1	3128943001	Support	1.0	11.8	119x15x44
2	5620157006	Hexagon Socket Screw	6.0	1.95	M4.2x19
3	3900208001	Dust Cover	1.0	54.0	117.1x89.5x86
4	2826577002	Motor & Gear ASSY	1.0	298.5	Φ63.5x74.5
5	5620033010	Screw	2.0	0.87	M3x10



		4909.1 DC Mower SPD (4909.1 直流割草机后爆炸图)		1000014002_SPD	
		Exploded View		VERSION	A
		Designed by 郭娜		SCALE	1:9
		Checked by 许海深		IMP DEGREE	B
		Approved by		SHEET	1/1
		Effective Date: 2018-11-09			
RevNo	Date	Revision note			

