



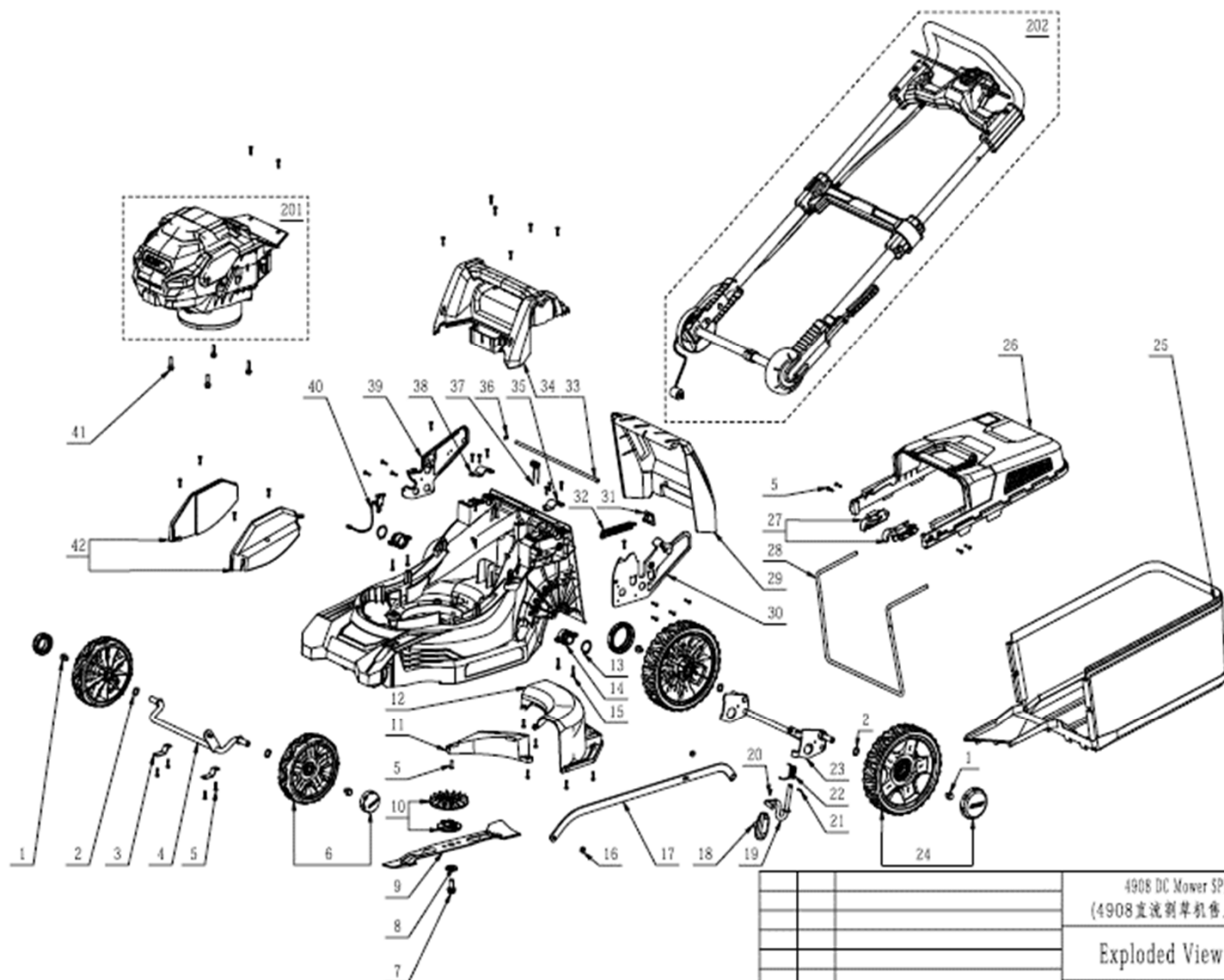
Repair Parts\_42cm Push mower\_4908(LM1700E)

Model No.	LM1701E
Art. No.	0500016002

Index No.	Service Part No.	Description	QTY in machine	Weight (g)	Size LxWxH (mm)
1	5640010003	Hexagon Flange Bolt	4	12.5	M8x12
2	5650453001	Wave Washer	4	0.4	13x20x3
3	3705216001	Mounting Plate	2	12.5	49.5x17x17
4	2825708001	Front Axle Set	1	539.3	407.9x74.5x73.8
5	5620157006	Hexagon Socket Screw	41	1.95	M4.2x19
6	2826614001	Wheel Assembly	2	407	Φ181.6x49.7
7	5640226001	Flange Bolt	1	25.5	M10x25
8	5650510001	Washer	1	14.5	16.7x30x4
9		Blade	1	504	418.5x108.8x21
10	2826616001	Fan Assembly	1	118.1	23.5x100x17.8
11	3129300001	Rear Enclosure	1	105.8	205x148x65.6
12	3129304001	Cover	1	369.5	278.7x225.2x132.8
13	5660152002	Circlips For Shaft	2	2.68	29
14	3422293901	Bearing Support	2	45.1	67x31.1x30.8
15	5620480002	Screw	4	3.5	ST4.2x25
16	5630013003	Prevailing Torque Hexagon Nut	2	3.5	M6
17	2825931001	Connecting Rod ASSY	1	408.9	633.2x69x20.5
18	3128692001	Height Adjusting Lever	1	22.5	61.5x22.4x50
19	2825933001	Handle Lever Set	1	144.6	94x49.5x97.3
20	5620033010	Screw	1	0.87	M3x10
21	5670184002	Pin	1	0.5	φ2x15
22	3660723001	Torsion Spring	1	15.3	35x24.7x15.8
23	2825707001	Rear Axle Set	1	879	421.2x77.6x111
24	2826615001	Wheel Assembly	2	697.5	Ø232x56.7
25	3800146001	Grass Catcher Assembly	1	818	692.4x331.6x247
26	2826309001	Cover Assembly	1	580.4	515.2X324X141.1
27	3900087001	Pothook Assembly	1	44.7	96.3x32.3x32.3
28	3706590001	Bag Frame	1	428.6	325.5x141.7x265.5
29	3129298001	Rear Cover	1	352.3	308.8x280.5x111.9
30	3706717001	Support Plate	1	596.9	267.6x152x23.5
31	3706726001	Spring Seat	1	17.8	35x33x18.5
32	3660720001	Tension Spring	1	74.6	18.5x129.6

Index No.	Service Part No.	Description	QTY in machine	Weight (g)	Size LxWxH (mm)
33	5670487001	Shaft	1	104.1	Φ7x344.2
34	2825932001	Service Cover Assembly	1	400.6	348.3x204.7x175.1
35	3706719001	Mounting Plate	1	44.9	64.4x29.5x17.3
36	5660139002	E Ring	1	0.4	6
37	3660559001	Torsion Spring	1	15	15.2x25
38	3706864001	Mounting Plate	1	44.9	64.4x29.5x17.3
39	2825957001	Support ASSY	1	442.8	222.6x158.3x42
40	2826165001	Switch Assembly	1	34.7	38x30x10.3
41	5640217001	Bolt and Washer Set	4	9	M6x30
42	3900085001	Decorative Cover ASSY	1	185.2	230x108.7x85.4
201	2826467002	Power Unit	1	4000	405.1x259.9x308.8
202		Handle ASSY	1	4300	471.3x481.2x244.5
201		Power Unit			
1	2826307001	Top Cover ASSY	1	299.2	251.4x190.8x178
2	2826306001	Battery Box ASSY	1	390.6	237.4x200.6x219.9
3	2830412001	4908 LED Electric Assembly	1	13	80x140x20
4	5640217001	Bolt and Washer Set	3	9	M6x30
5	3403069001	Bottom Support	1	82	225.5x229.2x170.7
6	3129434001	Mounting Plate	1	177.6	222x162.3x103.3
7	2730281001	DC Motor	1	1615.5	Ø156x108
8	2826492001	4908 Electric Assembly	1	297.5	163.7x91.8x150.2
9	5620157006	Hexagon Socket Screw	21	1.95	M4.2x19
10	2830413001	4908 Push Button Panel PCBA	1	48.4	53.5x46x70.5
11	3322491001	Button	1	2.5	Φ25x16.7
12	5680196001	Key	1	23.6	43.5x52x18
13	4860616001	Internal Wire ASSY	1	35	Φ4.8x430
14	2830414001	4908 LED Control Electric Assembly	1	32.9	58.4x33.4x12.3
15	2830216002	4908 Fuse PCBA	1	17	Φ7x112
16	2826617001	Button Unit	1	21.2	91.3x73.8x67.5
17	4860586001	Wiring Harness	1	57	183x40x40
18	3129442001	Transparent Guard	1	35.3	139.8x114.8x50.4
19	5650013004	Plain Washer	2	0.4	5
401	2826308001	Rear Cover ASSY	1	214.1	220.4x248.4x71.7
402	2826310001	Battery Cover ASSY	1	232.4	260x235.7x139.5
202		Handle ASSY			
1	3660011002	Spring	2	1.04	12.8x16
2	3129665001	Button	1	11.9	60x42.4x36.7
3	5620161005	Hexagon Socket Screw	4	9.57	M5x55
4	3900081001	Switch Box ASSY	1	374.9	421.9x182.1x71.8
5	5630006002	Prevailing Torque Hexagon Nut	4	2	M5
6	3126832001	Rubber Block	2	3.94	37x10x9.2
7	3129506001	Clamp Block	2	1	40.2x12.9x12.6
8	2826588001	Spindle ASSY	1	563.3	388x140x36

Index No.	Service Part No.	Description	QTY in machine	Weight (g)	Size LxWxH (mm)
9	3129714001	Switch Actuator	1	2.1	28x27.3x28
10	3900177001	Decorative Cover ASSY	1	180.7	226.5x119.9x120
11	5620157006	Hexagon Socket Screw	27	1.95	M4.2x19
12	5630013003	Prevailing Torque Hexagon Nut	3	3.5	M6
13	5630268001	Nut	1	16.15	M12X1.25
14	3551952001	Sleeve	1	18	M12X1.25X39
15	5660003003	E Ring	1	0.2	φ9x1
16	3550048003	Pin	1	2.9	5x18.5
17	2824250001	Handle Lever Set	1	113	248x20x76
18	3660565001	Compression Spring	1	3.92	9.6x28
19	3680282001	Magnet Ring	1	54.1	13x26x28
20	5640168001	Square Neck Bolt	3	7.92	M6x35
21	2826080001	Internal Wire ASSY	1	244.7	Φ7x1400
22	2830411001	4908 Switch Electric Assembly	1	50	108.5x32.5x37.9
23	2825948001	Telescope Tube	1	768.9	936.7x60x52
24	3126763001	Clamp	1	2.92	34x17x11.7
25	3660562001	Compression Spring	1	1.3	10.9x38
26	5650004001	Plain Washer	1	0.74	4
27	3127905001	Switch Actuator	1	5.5	46.7x29.4x30.9
28	3127908001	Switch Lever	1	16.6	81x32.5x27.7
29	2825955001	Handle Set	1	400	422x123x189
30	3650222001	Control Handle	1	300	336x159.6x5.5
31	3129632001	Switch Actuator	1	22.2	39x24x12.5
32	3660724001	Torsion Spring	1	0.7	9.2x4
33	2825949001	Telescope Tube	1	768.9	936.7x60x52
401	2826544001	Beam Assembly	1	311.4	432x110.4x78.7
402	2826613001	Handle Lever Set	1	132.7	247.7x76.1x17

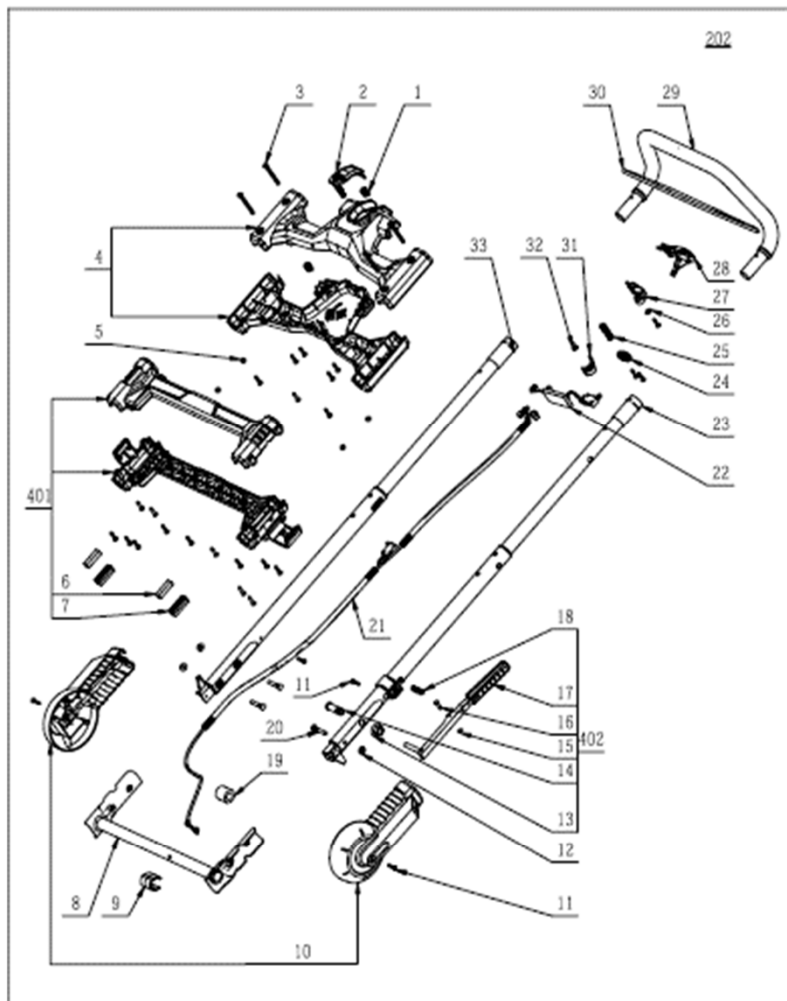


4908 DC Mower SPD  
(4908 直流割草机售后爆炸图)

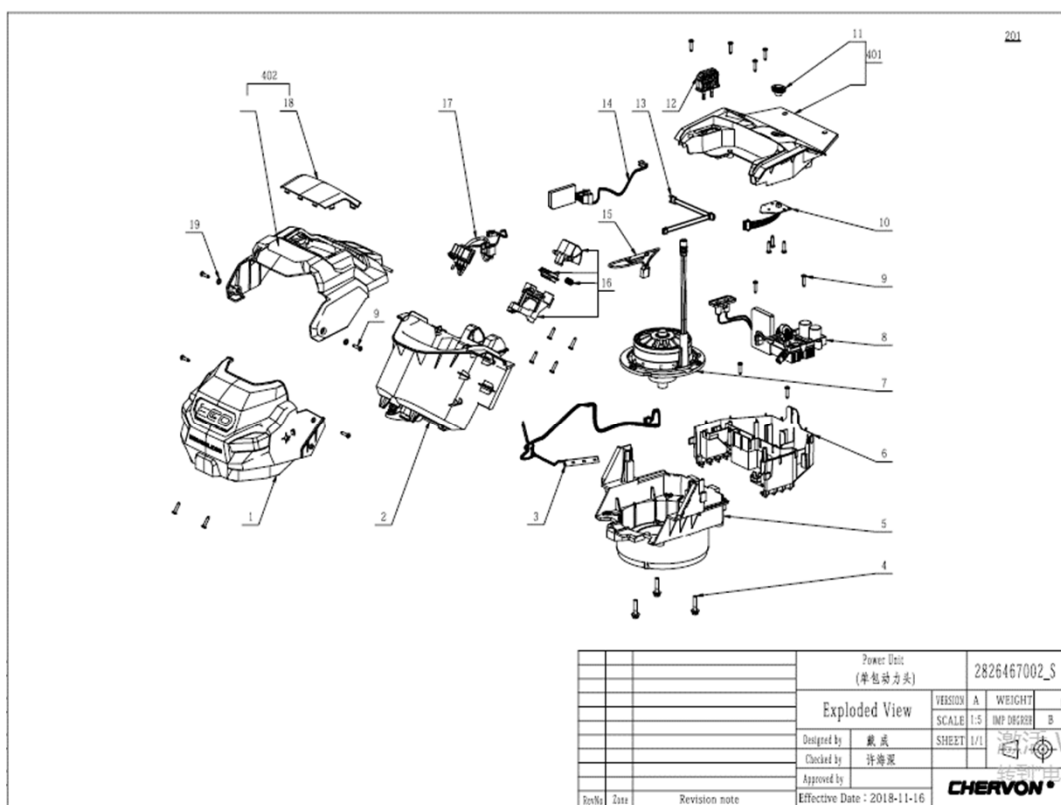
1000013002\_S

Explosion View		VERSION	A	WEIGHT	B
		SCALE	1:1	IMP	DWG
Designed by	戴成	SHEET	1/1		
Checked by	许海深				
Approved by					
RevNo	Date	Revision note		Effective Date : 2018-11-16	

**CHERVON**



		Handle ASSY (4908把手组件)		2825947002_S	
		Exploded View		VERSION	A
				SCALE	1:3.3
				SHEET	1/1
		Designed by 戴成			
		Checked by 许海深			
		Approved by			
RevNo	Date	Revision note		Effective Date : 2018-11-16	
<b>CHERVON®</b>					



		Power Unit (单包动力头)		2826467002_S	
		Exploded View		VERSION	A
				SCALE	1:5
				SHEET	1/1
		Designed by 戴成			
		Checked by 许海深			
		Approved by			
RevNo	Date	Revision note		Effective Date : 2018-11-16	
<b>CHERVON®</b>					