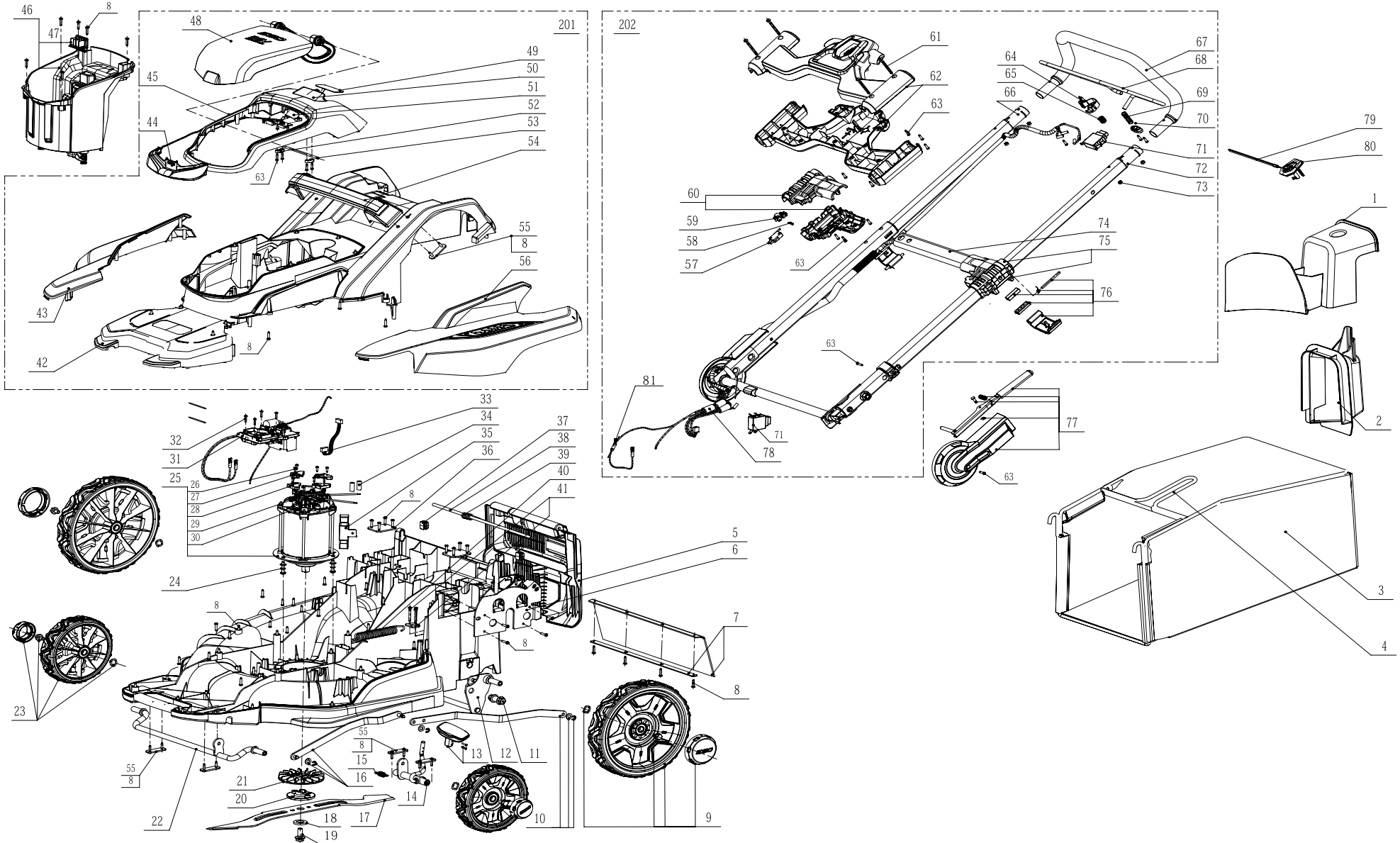




Product Description:Lawn Mower
Model Number:LM2000E
Body Number:100002001_S
Version: A
Issue Date: 2014/10/20





Repair Parts_Lawn Mower_4901.2(LM2000E)

Index No.	Art. No.	Description	QTY in machine	Weight (g)	Size LxWxH (mm)	MPQ	Repairable or Not?	Standard Repair Time (min.)
1	3126762001	Mulch Plug	1	310	262.5x235.5x216.5	1	Y	1
2	3126785002	Side Discharge Chute	1	283	191.5x217x258	1	Y	1
3	3800095002	Grass Catcher	1	166.5	600x420x30	1	Y	1
4	3705442002	Bag Frame	1	1690	570x365x387	1	Y	1
5	3126689003	Rear Cover	1	388.5	338.5x300x68	1	Y	50
6	3705438001	Mounting Plate	1	397.5	187x130x52	1	Y	50
7	2823760001	Trail Shield Set	1	290	390x150x5.5	1	Y	5
8	5610042014	Tapping Screw	81	1.97	Φ8x22	10	Y	1
9	2823765001	Rear Wheel Set	2	700.5	Φ264x52	1	Y	5
10	2823774001	Rear Connecting Rod Set	1	184.24	400x40x54.5	1	Y	50
11	2823776001	Rear Axle Screw Set	2	55	Φ25x45	10	Y	1
12	2823956001	Rear Axle Set	1	849.5	490x116.5x70.5	1	Y	60
13	2823707001	Adjusting Handle Set	1	49.5	76x36.5x61	1	Y	10
14	2823763001	Height Adjusting Bar ASSY	1	210.76	112x128x43	1	Y	60
15	3660558001	Tension Spring	1	5.22	Φ27x39	1	Y	60
16	2823773001	Front Connecting Rod Set	1	221.5	300x35x30	1	Y	50
17	3705369001	Blade	1	479.5	495x50x15.5	1	N	/
18	5650510001	Washer	1	14.53	Φ30x4	10	Y	10
19	5640226001	Flange Bolt	1	25.85	Φ20x35	10	Y	10
20	3520852002	Motor Bushing	1	117.93	Φ62x17.5	1	Y	10
21	3127847001	Fan	1	433.76	Φ70x13	1	Y	10
22	2823957001	Front Axle Set	1	570	464x53x70.5	1	Y	60
23	2823764001	Front Wheel Set	2	417.33	Φ180x50	1	Y	5
24	5640217002	Bolt and Washer Set	3	9.03	Φ13.7x30	10	Y	1
25	2823675002	DC Motor ASSY	1	4369.5	Φ145x220.8	1	Y	60
26	5610022001	Tapping Screw	8	0.85	Φ7x15	10	Y	1
27	3126579001	Brush Clamp	2	4.21	29x32.6x7.5	1	Y	1
28	3126564001	Brush Clamp	2	4.2	39x29x7.5	1	Y	1
29	2823425002	Brush Set (red)	1	19.86	60x40x30	1	Y	60
30	2823424002	Brush Set (black)	1	19.86	60x40x30	1	Y	60
31	2830052001	Electric Assembly	1	315	120x82x70	1	Y	60
32	5610024008	Tapping Screw	4	1	Φ7x18.5	10	Y	1
33	4930490001	Wiring Harness	1	8.14	60x10x12	1	Y	50
34	3680152002	Magnet Ring	2	6.27	4.9x9.5x23	1	Y	1
35	4970295001	Resistor	1	94.16	95x22x20	1	Y	50
36	3705440001	Clamp	2	50.26	54x42x3	1	Y	45
37	3127738001	Rubber Gasket	2	4.92	21x16.5x13.6	1	Y	50
38	5670345001	Shaft	1	102.07	Φ7x345	1	Y	50
39	3660559001	Torsion Spring	1	13.8	68x15.5x25	1	Y	50
40	3660557001	Tension Spring	1	108.5	162x53.5x23.6	1	Y	50
41	2823777001	Spring Clamp Set	1	291.6	38x24.5x10	1	Y	1
42	3126738001	Housing Cover	1	1442.5	894x430.5x335	1	Y	50
43	3126733001	Right Cover	1	268.5	524.5x202x192	1	Y	45
44	2823665001	Lamp Holder	1	86.56	177x60x50	1	Y	55
45	3126793002	Decorate Cover	1	237.5	406x250x147	1	Y	60
46	2823667001	Battery box ASSY	1	561.5	263x191x210	1	Y	10
47	3402724001	Contact Receptacle ASSY	1	17	40x40x27.5	1	Y	15
48	2823661001	Battery Cover ASSY	1	228	297x198x100	1	Y	50
49	4870499003	Film Switch	1	2.6	75x74x3	1	Y	45
50	3126766001	Guard	1	9.72	102.5x28.5x29.5	1	Y	45
51	3126780001	Guard	1	4.85	48.5x31x26	1	Y	45
52	3122798001	Cord Anchorage	2	1.14	23x7x8	1	Y	45
53	5670343001	Pin	1	25.14	Φ5x167	1	Y	45
54	3126690001	Upper Handle	1	125	356x56.5x67	1	Y	45
55	3705398001	Mounting Plate	6	16.82	49x16x3	1	Y	45
56	2823779001	Left Cover ASSY	1	351.5	538x202x188	1	Y	45
57	4870500001	Micro Switch	1	8.45	50.5x24x10.5	1	Y	20
58	3660287002	Spring	1	0.36	Φ5x15.5	10	Y	20
59	3126768001	Switch Actuator	1	2.1	28x28x12	1	Y	20
60	2823784002	Right Beam Set	1	151.45	130x108x69	1	Y	20
61	5610064005	Thread Forming Screw	4	7.68	Φ9.5x55	10	Y	1
62	2824099001	Switch Box Set	1	625.5	451x198x74	1	Y	25
63	5610032004	Tapping Screw	61	1.3	Φ8x16	10	Y	1
64	3127848001	Switch Actuator	1	6.73	53x37x28	1	Y	20
65	3660599001	Spring	1	1	Φ12.5x17	10	Y	20
66	2823781001	Right Inner Tube ASSY	1	465.5	Φ37.6x542	1	Y	40
67	2823782001	Sheath ASSY	1	462.5	442x188x123	1	Y	20
68	3705372001	Control Handle	1	323.5	361x184x49	1	Y	25
69	3660562001	Compression Spring	1	1.33	Φ11x38	10	Y	25
70	3126763001	Clamp	1	2.8	34x17x12	1	Y	25
71	4870501002	Push Switch	2	35.65	56x55x18	1	Y	30
72	2823082001	Left Inner Tube ASSY	1	465.5	Φ37.6x542	1	Y	35
73	5630006002	Prevailing Torque Hexagon Nut	4	0.94	8x8x8	10	Y	1
74	3705393001	Intermedium Tube	1	110.88	290x41x265	1	Y	15
75	2823783002	Left Beam Set	1	151.45	130x108x69	1	Y	15
76	2823714002	Control Handle Set	2	42.26	77x40x33	1	Y	10
77	2824092001	Handle Lever Set	1	197.27	229x125x60	1	Y	20
78	3680170001	Magnet Ring	3	21.28	Φ16x30	1	Y	1
79	3800096001	Strap	1	1.9	210x7.5x3	1	Y	1
80	2824111001	Key	1	20	51.5x55.5x42.5	1	Y	1
81	4970299001	Fuse	1	0.009	7x7x112	1	Y	40
201	2823666003	Cover Assembly	1	2665.5	907x523x337.5	1	Y	40
202	2824112001	Handle Assy	1	3824.5	1173x481x236.5	1	Y	70