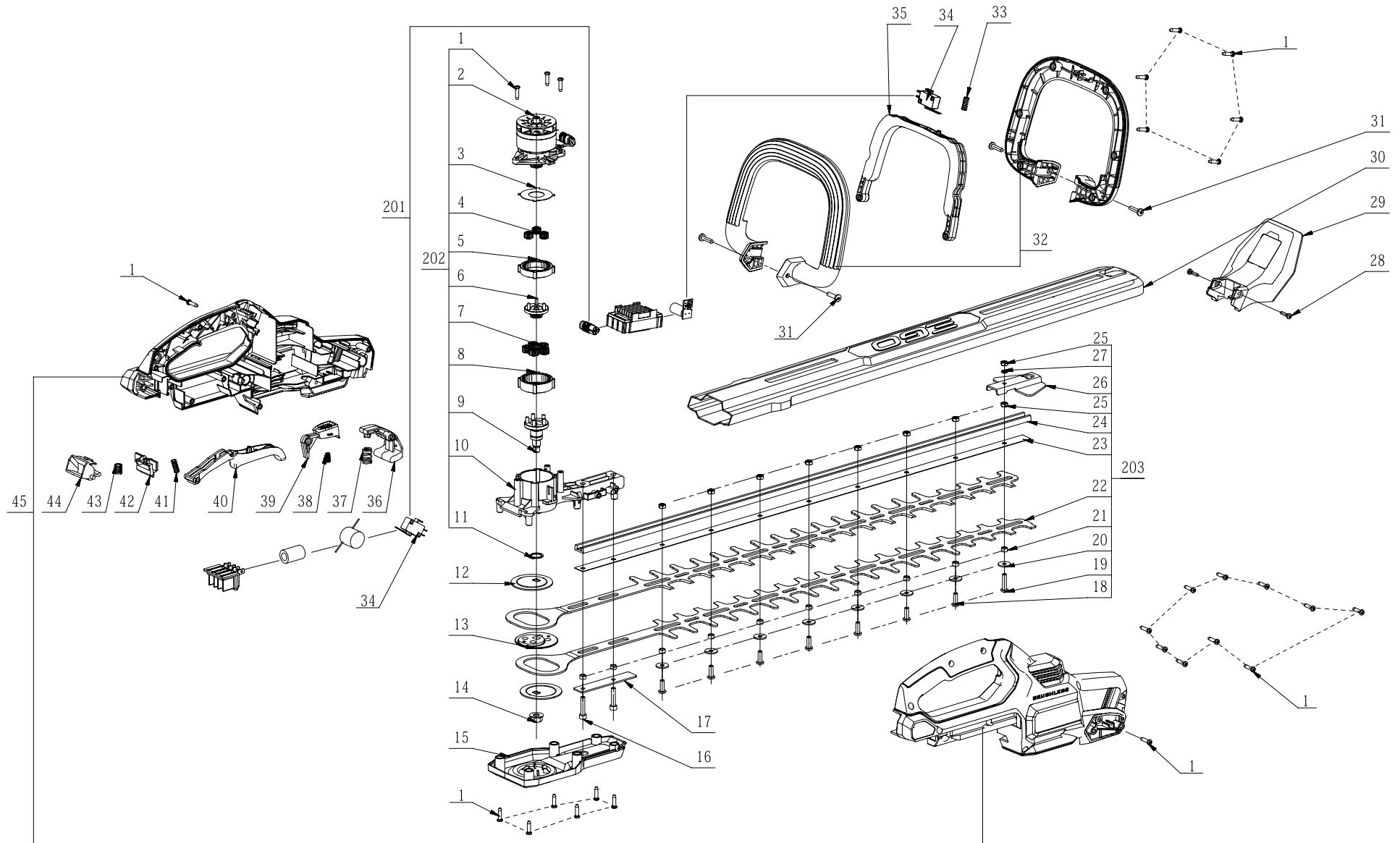




Product Description:Hedge Trimmer
Model Number:HT5100E
Body Number:0760051001_S
Version: A
Issue Date: 2016/12/10





Repair Parts_Hedge Trimmer_4214 (HT5100E)

Index No.	Art. No.	Description	QTY in machine	Weight (g)	Size LxWxH (mm)	MPQ	Repairable or Not?	Standard Repair Time (min.)
1	5610086004	Thread Forming Screw	3	1.69	M5x12	10	Y	20
2	3421739001	Motor Top Cover	1	79.12	80x62x69.7	1	Y	20
3	3128264001	Fan Baffle	1	15	58x58x38.5	1	Y	20
4	5610256001	Thread Forming Screw	2	0.96	M4x8	10	Y	20
5	2824551001	Motor & Gear ASSY	1	311.5	54x54x94	1	Y	30
6	5620446003	Hexagon Socket Screw	3	4.1	M5x18	10	Y	25
7	3421741001	Gear Case Cover	1	33.5	74.2x81x25	1	Y	30
8	5620424002	Screw	3	2.5	M4x10	10	Y	30
9	5650529001	Washer	1	7	63x63x0.5	10	Y	30
10	2824554001	Planet Gear Assembly	3	7.5	16.6x16.6x8	1	Y	30
11	3520889001	Ring Gear	1	47	63x63x9	1	Y	30
12	2824336001	Sun Gear ASSY	1	63.5	90x90x22.2	1	Y	30
13	3520888001	Ring Gear	1	74.5	63x63x14	1	Y	30
14	3520887001	Planet Gear	5	6.5	14.8x14.8x9	1	Y	30
15	2824387001	Carrier	1	103	45.5x45.5x53.4	1	Y	50
16	2824555001	Gear Case ASSY	1	213	190x93.5x54.6	1	Y	50
17	5660018001	Circlips For Shaft	1	0.64	20x18x1.5	10	Y	10
18	2824561001	Link Assembly	2	73.5	99.5x58x7	1	Y	10
19	352450001	Eccentric Block	1	75.5	55x35x15	1	Y	10
20	5650551001	Plain Washer	2	2.5	22.5x22.5x1	10	Y	10
21	3700155002	Washer	1	1.8	16x16x1	10	Y	5
22	5660007001	Circlips For Shaft	1	0.18	12x10x1	10	Y	5
23	2824560001	Lower Housing ASSY	1	82	189.6x93.5x23.5	1	Y	5
24	3706095001	Support Plate	2	2	27x16x2.8	1	Y	5
25	3705994001	Sponge Pad	1	0.63	35x35x10	1	Y	5
26	5620216005	Hexagon Socket Screw	2	5	M5x25	10	Y	5
27	3706098001	Upper Support Plate	1	11.5	26.2x22x12	1	Y	5
28	3705991001	Support Plate	1	19.5	82x21x1.5	1	Y	5
29	3126835001	Lower Support Plate	1	3.5	30x12x17	1	Y	10
30	5690350001	Damping Ring	1	0.325	56.6x56.6x1.8	10	Y	18
31	3128269001	Switch Trigger	1	56.5	185.8x135.8x13	1	Y	10
32	3660046001	Spring	1	0.2	7x7x16.5	10	Y	10
33	4870564001	Switch	2	7.5	50x25x10	1	Y	10
34	5650404001	Washer	4	0.25	8.5x8.5x1	10	Y	2
35	5610032004	Tapping Screw	19	1.28	4x16	10	Y	1
36	3128263001	Guard	1	21	122x70x75.5	1	Y	2
37	5610264001	Hexagon Lobular Screw	2	1.25	7x7x18.4	10	Y	1
38	3128512001	Sheath	1	142.8	598.4x89x30.5	1	Y	1
39	3705992001	Tip Protector	1	47.5	76.1x60.5x9.7	1	Y	5
40	3706043001	Protective Teeth	1	129	381x81x7.4	1	Y	5
41	5630007006	Prevailing Torque Hexagon Nut	13	1.05	9.3x8x4.4	10	Y	5
42	3552477001	Clamp Support	1	170	684x8.1x7.5	1	Y	30
43	3706079001	Support Plate	1	21.5	633x16.8x0.5	1	Y	30
44	3706078001	Blade	2	280.5	674x63x2.3	1	Y	30
45	5650531001	Bush	9	2.42	12x8.5x4.8	1	Y	10
46	5650487001	Plain Washer	7	2.05	16x16x1.5	10	Y	10
47	5620544001	Hexagon Socket Screw	6	3	9.5x9.5x28	10	Y	10
48	5620543001	Hexagon Socket Screw	1	2.85	9.5x9.5x19.8	10	Y	10
49	3127201001	Release Button	1	14.5	44.8x33x53	1	Y	5
50	3127202001	Power Pack Button	1	6.5	37.5x31.5x13	1	Y	5
51	3660013003	Spring1	1	0.59	9.8x9.8x25	10	Y	5
52	3660088003	Knob-reset Spring	1	0.15	6.5x6.5x18	10	Y	5
53	3127212001	Lock Button	1	6.5	75.8x44.3x11	1	Y	5
54	3128270001	Switch Trigger	1	19	152x34x23	1	Y	5
55	3660614001	Compression Spring	1	1	12.2x12.2x19.8	10	Y	5
56	3128266001	Lever	1	14	52x51x34	1	Y	5
57	3660072002	Spring	1	0.71	8.1x8.1x26	10	Y	5
58	3128166001	Lock Lever	1	20	67.4x67.6x29	1	Y	5
59	3128276001	Speed Change Button	1	3.5	41x18x13	1	Y	5
60	4891205002	PCB Assembly	1	6.5	-	1	Y	20
61	3680196001	Magnet Ring	1	18.5	16x16x28	1	Y	15
62	4891319001	PCB Assembly	1	2	15x15x20	1	Y	15
63	3402724001	Contact Receptacle ASSY	1	20.5	40x39.8x27.5	1	Y	15
64	5620446004	Hexagon Socket Screw	10	4.1	M5x18	10	Y	1
65	2824556001	Rear Handle Set	1	499.5	244x178.5x112	1	Y	20
66	2824553001	L R Housing Set	1	183.5	225.5x104.6x96	1	Y	35
67	2824552001	Side Handle	1	224.5	221x141x66	1	Y	15
201	2824519001	Blade Set	1	967.5	697x80.5x24.8	1	Y	15
202	2830118001	Electric Assembly	1	171	-	1	Y	30
203	2824568001	Motor & Gear ASSY	1	930	190x93.5x149	1	Y	35