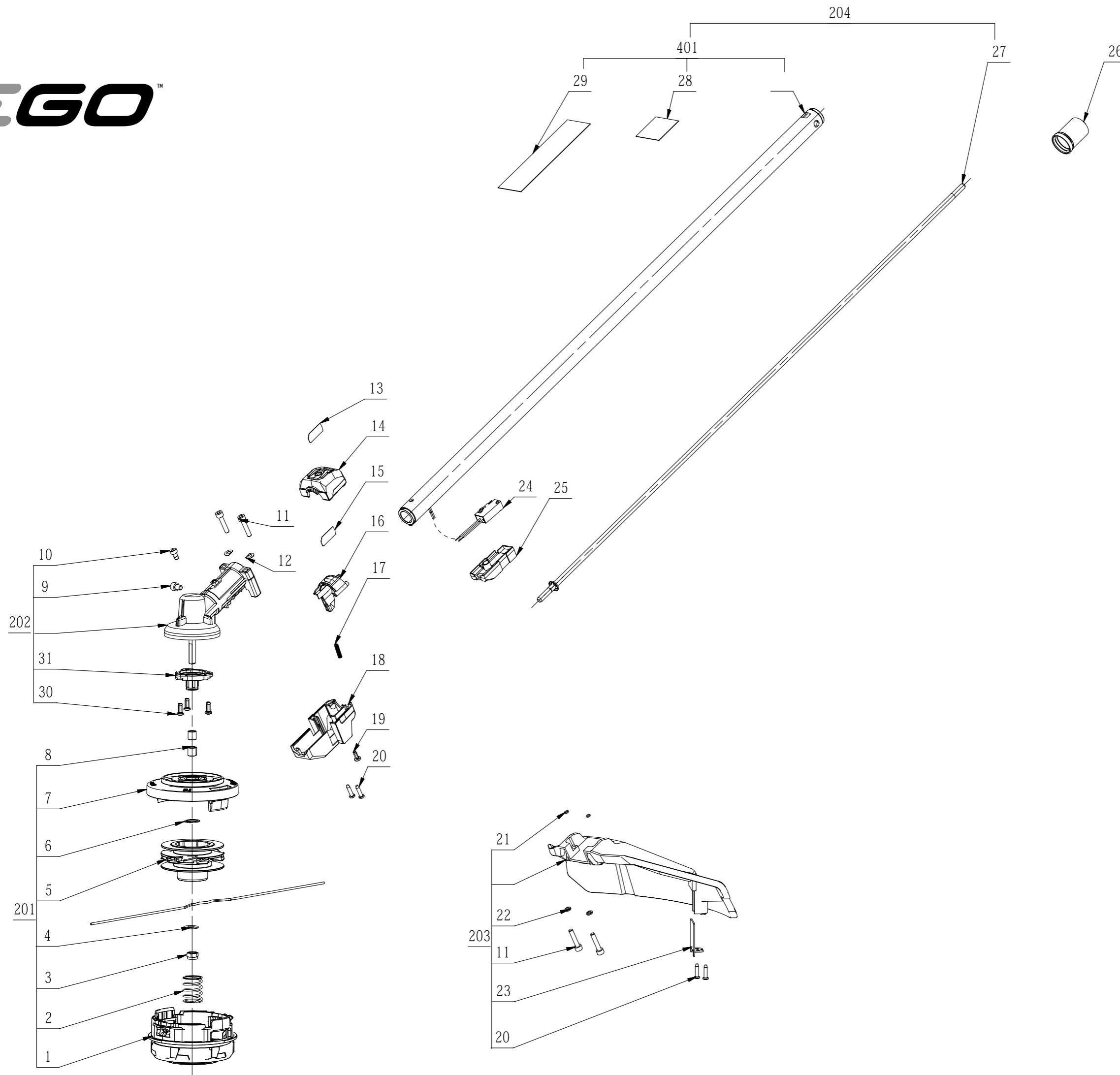




Product Description:String Trimmer
Model Number:STA1600
Service Item Number:F850023002S01
Version:B
Issue Date: 2023/01/10





Repair Parts_Line trimmer attachment_4830(STA1600)

| Index No. | Art. No. | Description | QTY in machine | Weight (g) | Size LxWxH (mm) | MPQ | Repairable or Not? | Standard Repair |
|-----------|------------|-----------------------------------|----------------|------------|------------------|-----|--------------------|-----------------|
| 1 | 2826637003 | Lower Housing ASSY | 1 | 214.5 | 110×110×63.7 | 1 | Y | 3 |
| 2 | 3667905001 | Compression Spring | 1 | 9.1 | 24×24×30 | 10 | Y | 3 |
| 3 | 5630503001 | Prevaling Torque Hexagon Lock Nut | 1 | 4.5 | 13×16×8 | 10 | Y | 5 |
| 4 | 3700155002 | Washer | 1 | 0.5 | 16×16×1 | 10 | Y | 5 |
| 5 | 2829343001 | Spool Assembly | 1 | 89 | 78×78×43.8 | 1 | Y | 10 |
| 6 | 5660018001 | Circlips For Shaft | 1 | 0.3 | 17×20×1 | 10 | Y | 20 |
| 7 | 2829342001 | Upper Housing Assembly | 1 | 112.5 | 113.2×113.2×35 | 1 | Y | 20 |
| 8 | 3552901001 | Position Sleeve | 2 | 2 | 10×10×10 | 1 | Y | 15 |
| 9 | 5620546001 | Hexagon Socket Screw | 1 | 4 | 10×10×14 | 10 | Y | 2 |
| 10 | 5620213003 | Hexagon Socket Screw | 1 | 3.5 | 8.5×8.5×15 | 10 | Y | 2 |
| 11 | 5620216003 | Hexagon Socket Screw | 4 | 4.5 | 8.7×8.7×30 | 10 | Y | 3 |
| 12 | 5650598001 | Washer | 2 | 0.5 | 11×11×0.4 | 10 | Y | 5 |
| 13 | 2245876002 | Nameplate | 1 | 1 | 27×12×0.5 | 50 | Y | 3 |
| 14 | 3323135001 | Top Switch Box Cover | 1 | 12 | 48×44.5×27.3 | 1 | Y | 8 |
| 15 | 2245876001 | Nameplate | 1 | 1 | 27×12×0.5 | 50 | Y | 3 |
| 16 | 3132757001 | Switch Lever | 1 | 6.5 | 46.5×39.7×33.8 | 1 | Y | 8 |
| 17 | 3660124001 | Spring | 1 | 0.5 | 5.2×5.2×21 | 10 | Y | 8 |
| 18 | 3133784001 | Bottom Switch Box Cover | 1 | 26 | 92.5×48×40 | 1 | Y | 8 |
| 19 | 5610097002 | Thread Forming Screw | 1 | 1.5 | 8×8×13 | 10 | Y | 2 |
| 20 | 5610294001 | Tapping Screw | 4 | 1.3 | 7×7×18 | 10 | Y | 3 |
| 21 | 5690203001 | O Ring | 2 | 0.1 | 5×5×1 | 10 | Y | 1 |
| 22 | 5650015012 | Spring Washer | 2 | 1.5 | 5×5×2 | 10 | Y | 4 |
| 23 | 3705934001 | Blade | 1 | 18.5 | 13.2×36.8×41 | 1 | Y | 3 |
| 24 | 4870728003 | Micro Switch | 1 | 8.5 | 35×22×10 | 1 | Y | 15 |
| 25 | 3133790001 | Switch Support | 1 | 6.5 | 61×25.5×19.5 | 1 | Y | 10 |
| 26 | 3128734001 | Sleeve | 1 | 4.6 | 29×29×42 | 1 | Y | 1 |
| 27 | 2829345001 | Shaft Assembly | 1 | 254 | 857.7×14.5×14.5 | 1 | Y | 30 |
| 28 | 2243910002 | Label | 1 | 0.05 | 40×20×0.2 | 50 | Y | 3 |
| 29 | 2244351108 | Nameplate | 1 | 2 | 180×40×0.5 | 50 | Y | 3 |
| 30 | 5610304001 | Thread Forming Screw | 3 | 2.5 | 8×8×14.6 | 10 | Y | 22 |
| 31 | 3133789001 | Bearing Seat | 1 | 11.3 | 48.3×47.7×22.1 | 1 | Y | 25 |
| 201 | AH1600 | Cutting Head Set | 1 | 435.5 | 113.2×113.2×67.7 | 1 | N | 20 |
| 202 | 2790750001 | Gear Case Assembly | 1 | 320 | 132×117.5×68.37 | 1 | Y | 40 |
| 203 | 2829156002 | Protective Cover Assembly | 1 | 183.7 | 290.2×177.2×98.5 | 1 | Y | 5 |
| 204 | 2829655001 | Connecting Tube Assembly | 1 | 508.5 | 857.7×30.5×25 | 1 | Y | 30 |
| 401 | 2829656001 | Connecting Tube Assembly | 1 | 254.5 | 828.2×30.5×26.5 | 1 | Y | 30 |