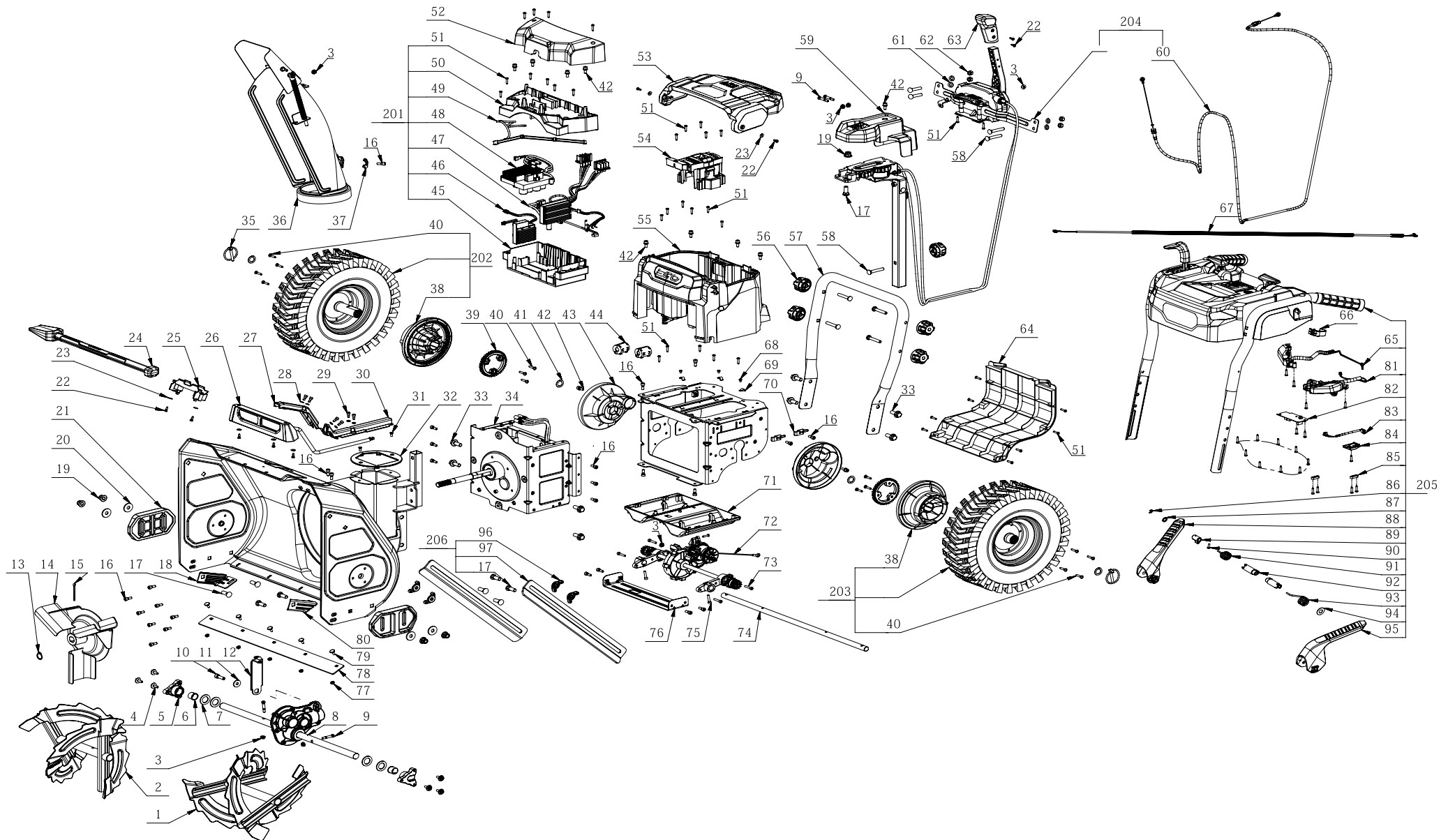




Product Description: Snow Blower  
Model Number: SNT2400E  
Body Number: 0760088002\_S  
Version: A  
Issue Date: 2020/11/18





Repair Parts\_Snow Blower\_8502(SNT2400E)

Index No.	Art. No.	Description	QTY in machine	Weight (g)	Size LxWxH (mm)	MPQ	Repairable or Not?	Standard Repair Time (min.)
1	2826952001	Left Auger Assembly	1	2200	275x275x266	1	Y	10
2	2826951001	Right Auger Assembly	1	2200	275x275x266	1	Y	10
3	5630013003	Prevailing Torque Hexagon Nut	7	3.5	6x6x5.7	10	Y	1
4	5620563002	Flange Bolt	6	8.5	18x18x22	10	Y	1
5	3521228001	Pivot Shoe	2	184	70x70x28.5	1	Y	6
6	3130764001	Plastic Sleeve	2	10	23x23x17	1	Y	6
7	5650730001	Plain Washer	4	12.5	34x21x2	10	Y	6
8	2790532001	Front Gear Case Assembly	1	3300	171x576x141	1	Y	10
9	5670548001	Pin	4	10	11x11x40	10	Y	2
10	5620023004	Hexagon Socket Screw	1	14	13x13x22	10	Y	1
11	5650024005	Plain Washer	1	5.5	24x8x2	10	Y	1
12	3707183001	Support Plate	1	110	130x48x44	1	Y	5
13	5660297001	Circlip For Shaft	1	1	20x20x1.2	10	Y	10
14	2826953001	Impeller Assembly	1	3000	300x300x77.5	1	Y	15
15	5670545001	Split Pin	1	7	4x4x50	10	Y	10
16	5620340004	Hexagon Socket Screw	27	5.5	10x10x22	10	Y	15
17	5640334001	Square Neck Bolt	9	20	19x19x33	10	Y	2
18	3707532001	Support Plate	1	102.6	91x43.5x80	1	Y	4
19	5630267001	Nut	5	13	20x20x13.5	10	Y	1
20	5650731001	Plain Washer	4	13	30x11x2.5	10	Y	1
21	3130767001	Skid Shoe	2	118	159x88x23	1	Y	2
22	5620377003	Hexagon Socket Screw	9	2	8x8x17	10	Y	1
23	5650278002	Washer	7	0.08	12x12x1	10	Y	1
24	3130760001	Shovel	1	240	517x60x33	1	Y	1
25	3130759001	Pivot Shoe	1	25	120x45x50.5	1	Y	1
26	2827177002	LED Cover Assembly	1	500	256x63x60	1	Y	3
27	3130761001	Front Waterproof Cover	1	19.5	172x45x65.5	1	Y	2
28	5650011006	Plain Washer	6	0.1	10x10x1	10	Y	1
29	5620018005	Hexagon Socket Screw	6	3.7	8.5x8.5x17	10	Y	1
30	3130762001	Back Waterproof Cover	1	26.5	226x45x51	1	Y	2
31	5620074009	Screw	2	2	9x9x12	10	Y	4
32	3130763001	Plate	1	23	140x140x9.5	1	Y	4
33	5640226003	Flange Bolt	8	26	22x22x34	1	Y	2
34	2790552001	Motor And Gear Case Assembly	1	6500	282.5x292x385	1	Y	60
35	5670546001	Lock Pin	2	23	6x6x42	10	Y	1
36	2827178002	Chute Assembly	1	2200	571x292x385	1	Y	10
37	3707212001	Mounting Plate	1	12.5	26x20x11	10	Y	1
38	3570047001	Ring Gear	2	254	170x170x85	1	Y	5
39	3570046001	Gear	2	140	90x90x8	10	Y	5
40	5610224002	Hexagon Lobuar Screw	14	3.18	9.5x9.5x27	10	Y	1
41	5650272002	Washer	4	0.5	25.4x25.4x0.8	10	Y	1
42	5610371001	Screw and Washer Assembly	11	6.5	10x10x22	10	Y	2
43	3130603001	Hubcap	2	86	160x160x57	1	Y	3
44	3680311001	Magnet Ring	2	158.4	13x30.75x39	10	Y	5
45	3130592001	Support	1	206	248.5x119x70	1	Y	6
46	2830683001	Electric Assembly	1	60	73x65x50	1	Y	30
47	2830682001	Electric Assembly	1	115	65x91x100	1	Y	30
48	2830681001	Electric Assembly	1	220	123x104.5x80	1	Y	30
49	4860615002	Internal Wire ASSY	1	10	125x25x25	1	Y	30
50	3130591001	Cover	1	308	305x83x137	1	Y	6
51	5620157006	Hexagon Socket Screw	57	1.95	4.2x4.2x19	10	Y	1
52	3130590001	Wire Box	1	106	302x121x71	1	Y	1
53	2827161001	Battery Cover Assembly	1	311	339x246x77	1	Y	1
54	2824683002	Support ASSY	1	161	145x125x102	1	Y	1
55	2827493001	Battery Box Assembly	1	1500	349x286x244	1	Y	3
56	3130766001	Knob	5	28	47x47x35	1	Y	1
57	3707146001	Steel Tube	1	1280	477x383x45	1	Y	6
58	5640326001	Square Neck Bolt	9	24	16x16x55	10	Y	1
59	3130657001	Top Cover	1	186	235x136x117	1	Y	1
60	3650243001	Wire Rope	1	600	300x300x6	1	Y	10
61	5650025001	Plain Washer	4	1.8	16x16x1.6	10	Y	1
62	5630271001	Nut	4	4.5	13x15x8.5	10	Y	1
63	3130647001	Upper Handle	1	100	110x50x42	1	Y	1
64	3130602001	Rear Cover	1	370	222x288x228	1	Y	4
65	2827195001	Right Lamphshade Assembly	1	50	130x60x40	1	Y	10
66	3130656001	Wire Holder	1	5	42x40x16	1	Y	1
67	4860719002	Wiring Harness	1	32	160x160x30	1	Y	15
68	5620037006	Screw	3	0.8	8x8x9	10	Y	8
69	3707137001	Mounting Plate	3	2	19x9x8	10	Y	8
70	370719001	Support Plate	2	16	32x30x25	1	Y	3
71	3130601001	Bottom Battery Cover	1	217	273x190x60.5	1	Y	10
72	2827661001	Self-Propelled Unit	1	3000	413x139x180	1	Y	15
73	5620550002	Hexagon Socket Screw	4	5.7	8.5x8.5x30	10	Y	5
74	3553381001	Shaft	1	945	16x16x610	1	Y	4
75	5620216006	Hexagon Socket Screw	2	5	9x9x30	10	Y	3
76	2826854001	Support Assembly	1	380	284x68x35	1	Y	3
77	5630008002	Prevailing Torque Hexagon Nut	5	4	13x13x5	10	Y	1
78	3707182001	Scraper	1	605	580x45x3	10	Y	5
79	5640333001	Square Neck Bolt	5	4	14x14x16	10	Y	1
80	3707533001	Support Plate	1	102.6	91x43.5x80	1	Y	4
81	2827191001	Left Transparent Cap Assembly	1	50	130x60x40	1	Y	10
82	4891881002	Switch PCBA	1	20	90x40x30	1	Y	5
83	4860556002	Wiring Harness	1	10	30x30x10	1	Y	5
84	3130655001	Cover	1	3.2	37.3x31.8x10.3	1	Y	2
85	3120589002	Cord Anchorage	2	3	8x8x25	10	Y	5
86	5660139002	E Ring	1	0.4	6x6x1	10	Y	1
87	5650557002	Washer	1	1	10x16x1.5	10	Y	1
88	3403122001	Right Control Handle	1	105	218x98x95	1	Y	10
89	3580011001	Spindle Bush	1	4.8	9.2x15x23.5	1	Y	10
90	5620511003	Hexagon Socket Screw	1	1	8x8x14	10	Y	5
91	3660781001	Torsion Spring	1	60	66x50x26	10	Y	10
92	3130650001	Switch Actuator	2	8.8	9x18x52.5	1	Y	10
93	3660780001	Torsion Spring	1	60	66x50x26	10	Y	10
94	5650214001	washer	1	1	12.2x26x1	10	Y	10
95	3130665001	Left Control Handle	1	106	218x98x95	1	Y	10
96	3130845001	Lock Knob	4	15	44x25x16	1	Y	2
97	3707199001	Drifting Cut	2	720	480x15.4x56.2	1	Y	5
201	2830708002	Electric Assembly	1	930.7	300x200x110	1	Y	10
202	2827164004	Wheel Assembly	1	2500	360x360x155	1	Y	2
203	2827163004	Wheel Assembly	1	2500	360x360x155	1	Y	2
204	2827193002	Adjusting Handle Set	1	2500	450x136x117	1	Y	15
205	2827408001	Handle Assembly	1	4500	748x554x429	1	Y	15
206	2828294001	Drifting Cut Assembly	1	1580	500x30x60	1	Y	5