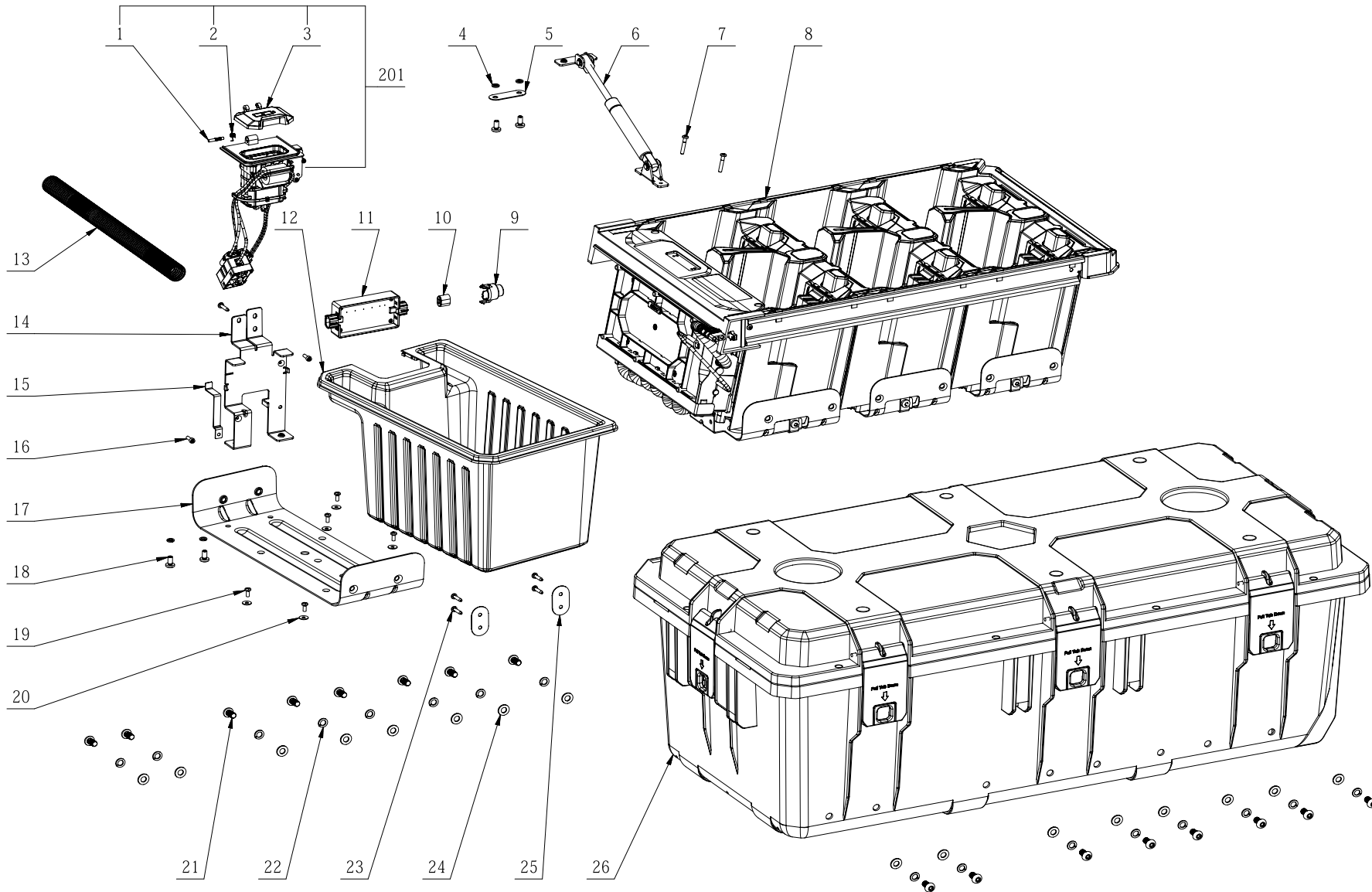




Product Description:Charger  
Model Number:CHU6000  
Body Number:  
Version: A  
Issue Date: 2021/12/24





## Repair Parts\_Multi port charging unit\_5381(CHU6000)

Index No.	Art. No.	Description	QTY in machine	Weight (g)	Size LxWxH (mm)	MPQ	Repairable or Not?	Standard Repair
1	5670447001	Pin Shaft	1	1.38	22.6x2.3x2.3	10	Y	10
2	3660968001	Torsion Spring	1	0.29	11.5x5.5x5	10	Y	10
3	3132677001	Cover	1	13.8	69x63.3x14	1	Y	10
4	5650020008	Spring Washer	4	1	9.6x9.6x0.6	10	Y	1
5	5650886001	Gasket	1	5.94	52.5x17x1	10	Y	1
6	2828820001	Gas Spring Assembly	1	243.5	280x55.5x28.5	1	Y	5
7	5620480002	Screw	2	2.02	21.5x7.8x7.8	10	Y	5
8	2828578001	Battery Box Assembly	1	8120	606.7x370x231	1	Y	30
9	3131055001	Wire Holder	1	3.77	32x29x22.5	10	Y	20
10	3580076001	Rubber Sleeve	1	1.24	16x14x9	10	Y	20
11	2831058001	913-5381 Switch Electric Assembl	1	47.36	115x50.2x22	1	Y	20
12	3132676001	Storage Box Base	1	892	374x229.5x197.5	1	Y	20
13	3133041001	Bellows Seal	1	16.36	20x25x350	1	Y	20
14	3708255001	Support Base	1	232.42	190.3x94x59	1	Y	20
15	3708256001	Fixing Board	1	7.92	76.8x31.5x10	1	Y	20
16	5620011007	Hexagon Socket Screw	2	1.86	16x7x7	10	Y	20
17	3708257001	Left Supporting Plate	1	939	358.1x130x71.4	1	Y	20
18	5620369004	Screw	4	4.43	16.5x11.5x11.5	10	Y	1
19	5620039012	Screw	5	1.49	13x7.7x7.7	10	Y	1
20	5650004008	Plain Washer	5	1.15	15x15x1	10	Y	1
21	5620409003	Hexagon Socket Screw	16	7.65	19.4x13.5x13.5	1	Y	1
22	5650027002	Spring Washer	16	1.07	13.7x13.7x1.5	10	Y	1
23	5620157006	Hexagon Socket Screw	5	4.52	21.3x7.7x7.7	10	Y	1
24	5650025007	Plain Washer	16	1.75	16x16x1.6	10	Y	1
25	5650887001	Gasket	2	7.39	45x25x1	10	Y	3
26	2520972002	Draw-bar Box	1	7691	895x445x350	1	Y	30
201	4860971001	Charging Harness Assembly	1	313.5	200x95x85	1	Y	20