

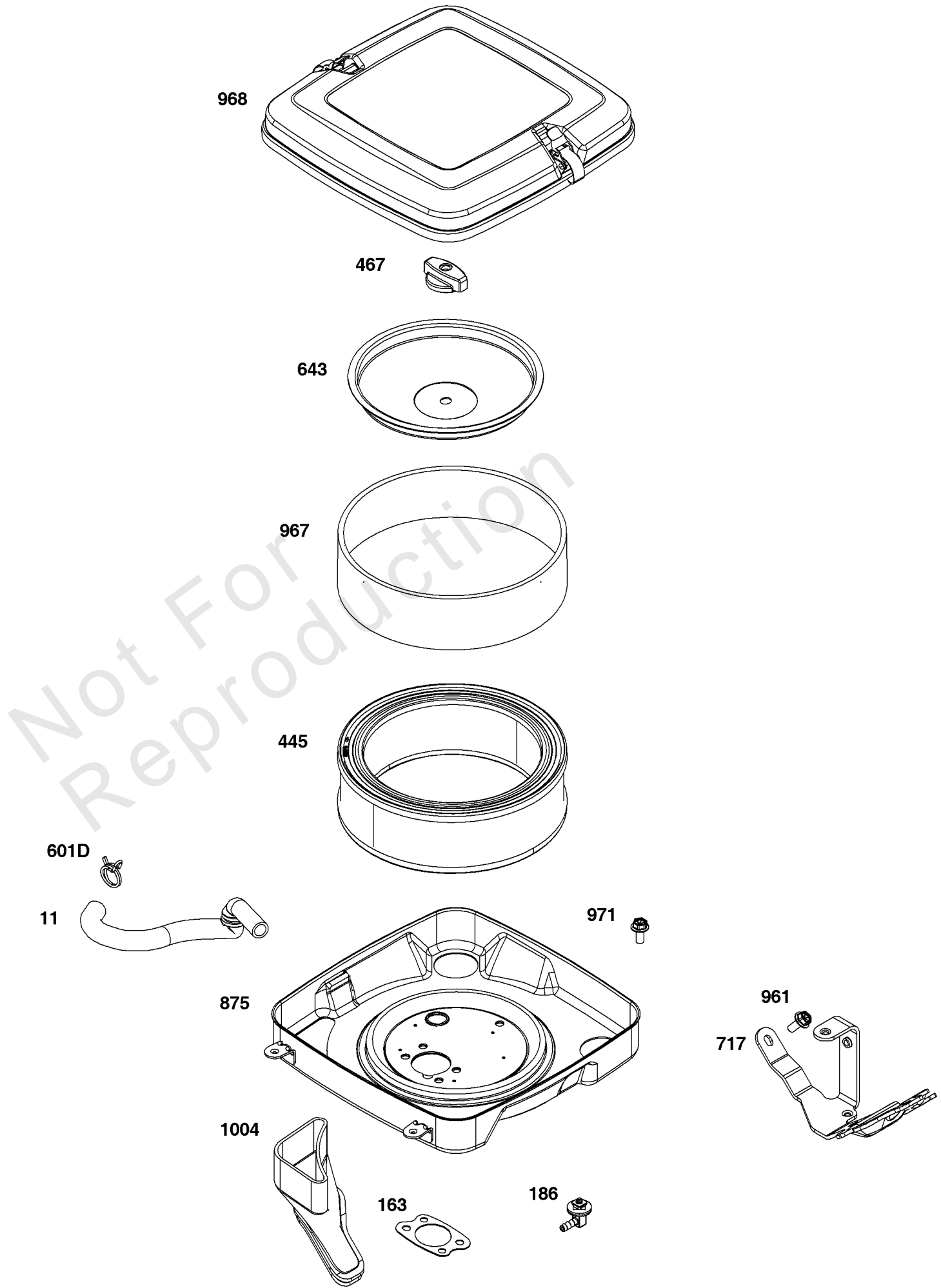


Parts Manual

Mfg. No: 38E347-0006-G1

Model Components	Page
Air Cleaner Group.....	4
Alternator Group.....	6
Blower Housing Group.....	8
Controls Group.....	10
Crankcase Cover and Lubrication Group.....	12
Crankshaft Group.....	14
Cylinder Group.....	16
Cylinder Head Group.....	18
Flywheel, Ignition, and Starter Group.....	20
Throttle Body and Fuel Supply Group.....	22

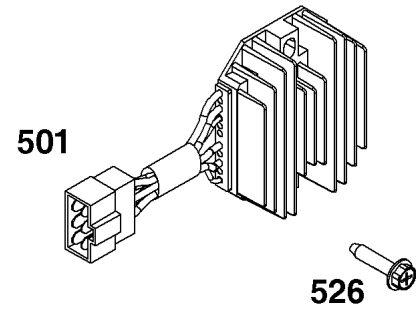
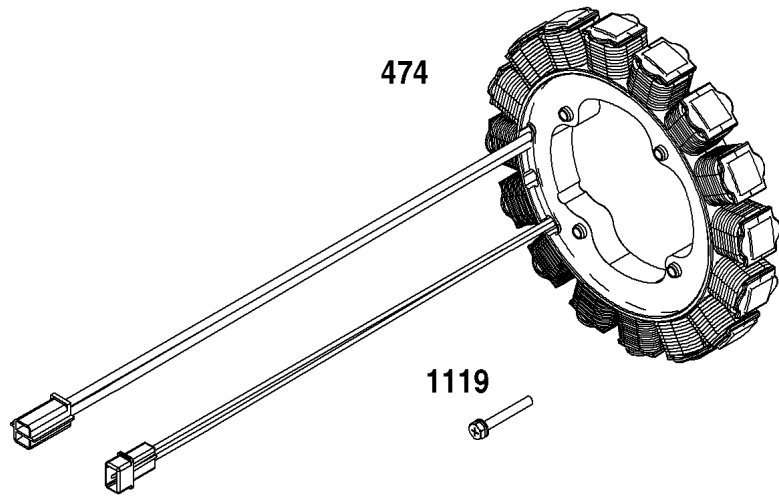
Not For
Reproduction



Air Cleaner Group

REF NO	PART NO	QTY	DESCRIPTION
11	844976	1	TUBE, Breather
163	692081	1	GASKET, Air Cleaner -(Air Cleaner)
186	845141	1	CONNECTOR, Hose
445	394018S	1	FILTER, A/C Cartridge
467	846431	1	KNOB, Air Cleaner Cover
601D	691145	1	CLAMP, Hose
643	844932	1	RETAINER, Air Filter
717	847140		BRACKET, Air Cleaner
875	847896	1	BASE, Air Cleaner
967	272490S	1	FILTER, Pre Cleaner
968	699959	1	COVER, Air Cleaner
961	807084	5	SCREW -(Air Cleaner Base to Air Cleaner Bracket) (M6x14mm)
971	807084	5	SCREW -(Air Cleaner Base to Carburetor/Throttle Body) (M6x14mm)
1004	847339	1	DUCT, Air

Not For Reproduction

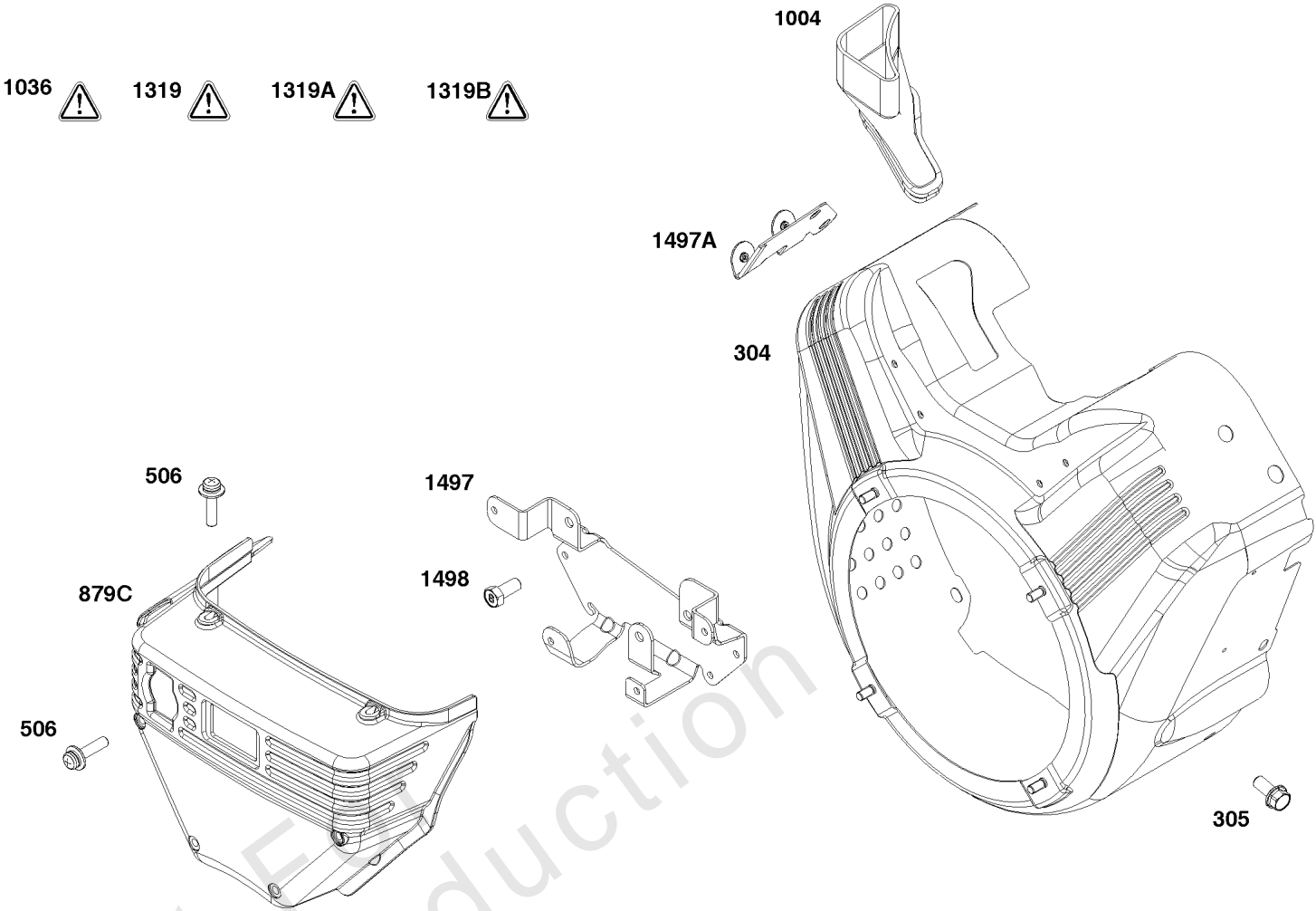


Not For
Reproduction

Alternator Group

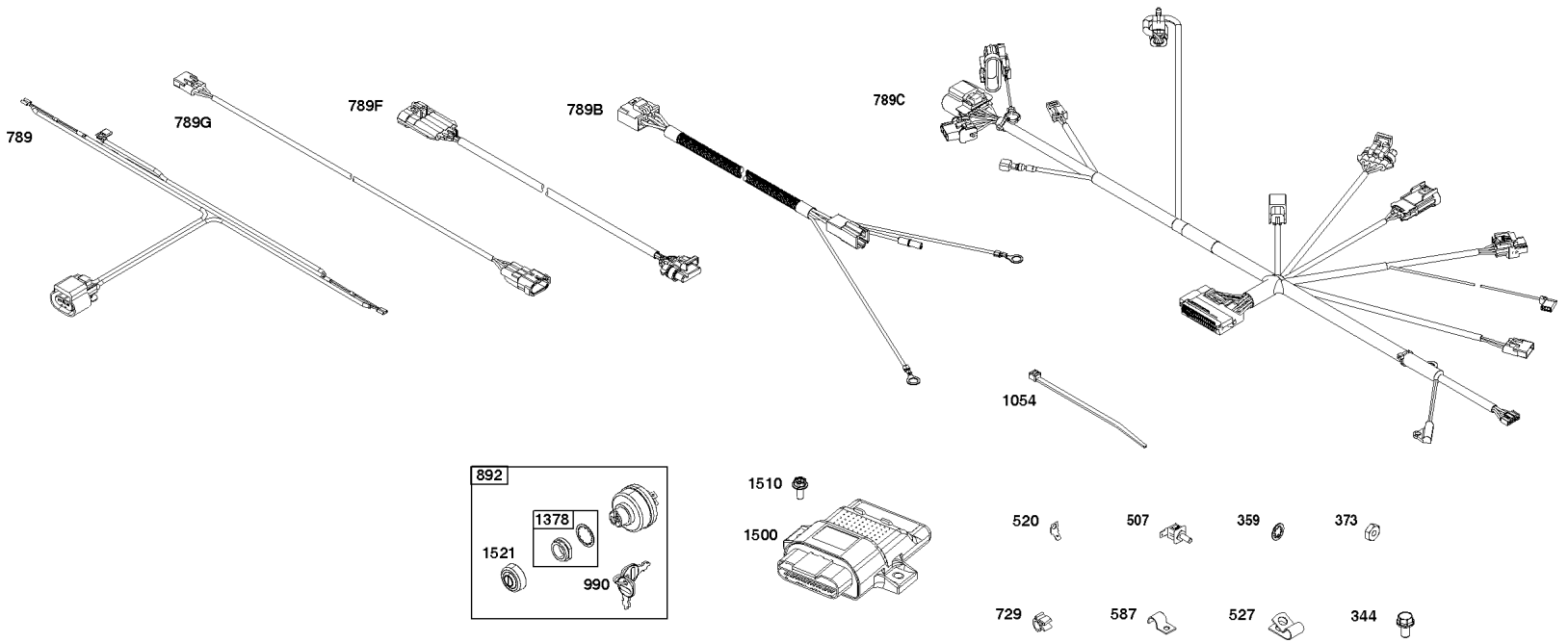
REF NO	PART NO	QTY	DESCRIPTION
474	847135	1	ALTERNATOR
1119	691552	4	SCREW -(Alternator)
501	846929	1	REGULATOR
526	691547	2	SCREW -(Regulator) (M6x28mm)

Not For Reproduction



Blower Housing Group

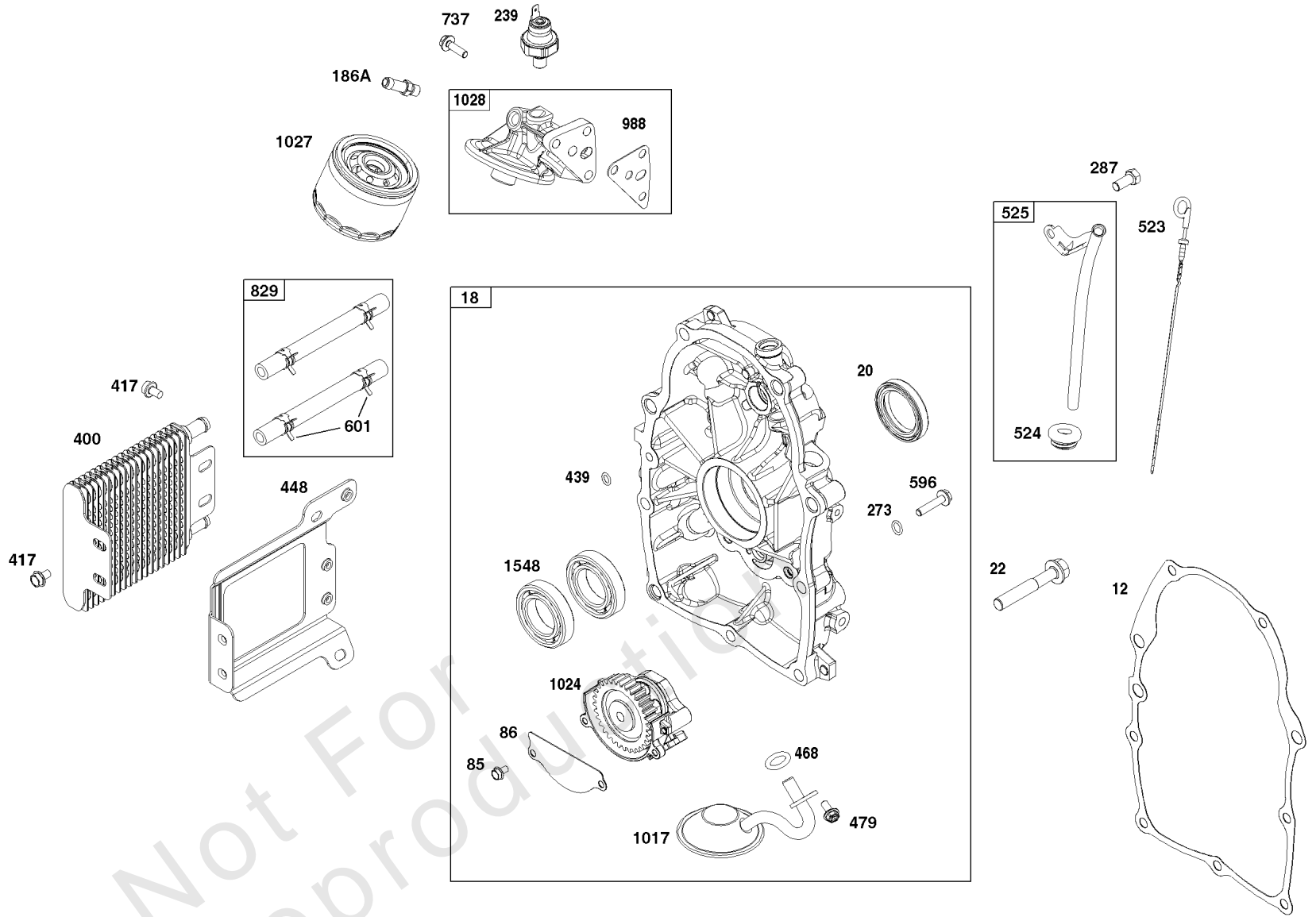
REF NO	PART NO	QTY	DESCRIPTION
304	847615	1	HOUSING, Blower
305	692056	4	SCREW -(Blower Housing)
506	807120	8	SCREW
879C	84001971	1	COVER, Carburetor/EFI
1004	-----	1	DUCT, Air -(Part information located in Air Cleaner Group.)
1036	-----		LABEL, Emissions -(Available from a Briggs & Stratton Authorized Dealer)
1319	794467		LABEL, Warning -(REQUIRED When Replacing Parts With Warning Labels Affixed)
1319A	797669		LABEL, Warning -(REQUIRED When Replacing Parts With Warning Labels Affixed)
1319B	278911s		LABEL, Warning -(REQUIRED When Replacing Parts With Warning Labels Affixed)
1497A	84003014	1	BRACKET, Fuel Module
1497	JUMPTO1497	1	BRACKET, Fuel Module -(Part information located in Throttle Body_Fuel Group.)
1498	JUMPTO1497	4	BRACKET, Fuel Module -(Part information located in Throttle Body_Fuel Group.)



Not For
Reproduction

Controls Group

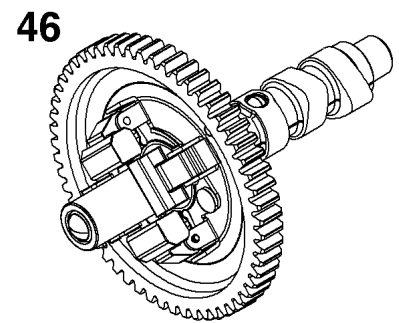
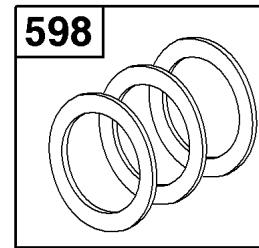
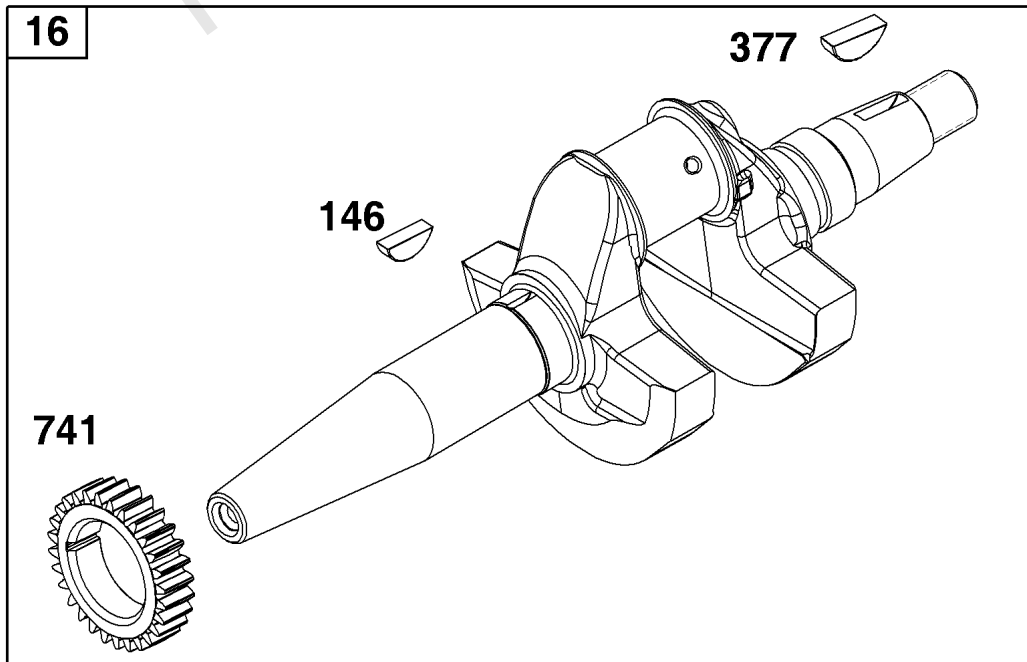
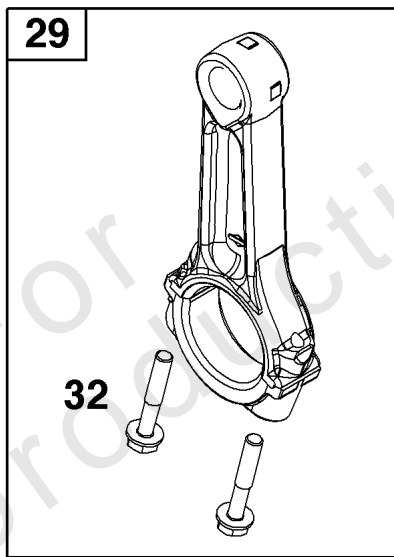
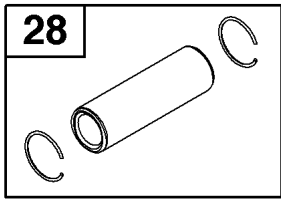
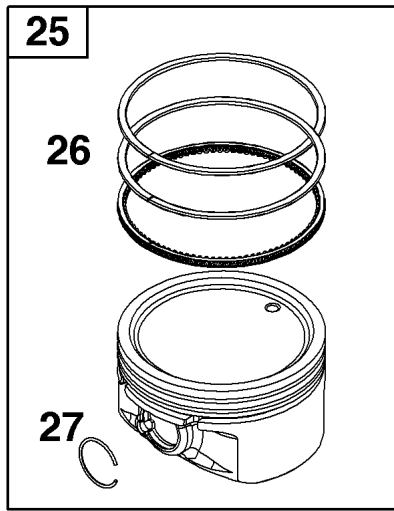
REF NO	PART NO	QTY	DESCRIPTION
344	692056	1	SCREW
359	691077	1	WASHER -(Ground Terminal)
373	845823	1	NUT -(Ground Terminal)
507	691972	1	INSULATOR
520	691084	1	TERMINAL, Ground
527	845268	1	CLAMP, Hose
587	690423	1	CLAMP, Tube
729	690586	1	CLIP, Wire
789	847176	1	HARNESS, Wiring
789B	847023	1	HARNESS, Wiring
789C	848398	1	HARNESS, Wiring
789F	847017		WIRE ASSEMBLY
789G	848397		HARNESS, Wiring
892	847448	1	SWITCH, Key
990	691959	1	SET, Key
1054	280275	1	TIE, Cable
1378	847144	1	SET, Washer/Nut
1378	847144	1	SET, Washer/Nut
1500	84001977	1	MODULE, Electronic Control -(Not Programmed)
1510	807084	4	SCREW -(Electronic Control Module) (M6x14mm)
1521	847150	1	CAP, Switch



Not For
Reproduction

Crankcase Cover and Lubrication Group

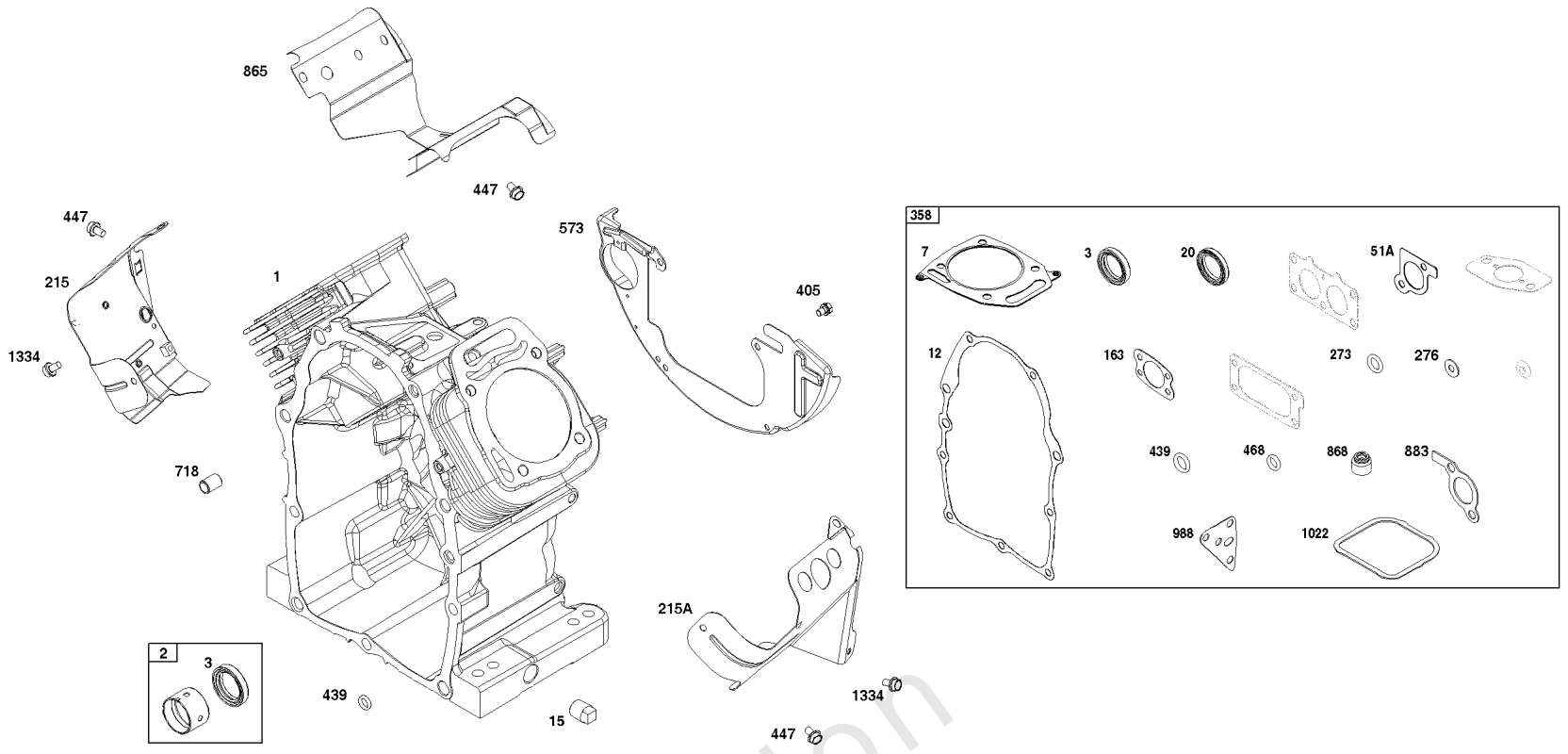
REF NO	PART NO	QTY	DESCRIPTION
12	846487	1	GASKET, Crankcase
18	844734	1	COVER, Crankcase
20	805049S	1	SEAL, Oil -(PTO Side)
22	807362	9	SCREW -(Crankcase Cover/Sump)
85	841233	2	SCREW -(Gear Cover)(M6x10mm)
86	690745	1	COVER, Gear
186A	693184	2	CONNECTOR, Hose
239	841281	1	SWITCH, Oil Pressure
273	690681	2	SEAL, O-Ring -(Oil Pump)
287	806660	1	SCREW -(Dipstick Tube) (M8x18mm)
400	846489	1	COOLER, Oil
417	843345	4	SCREW -(Oil Cooler)
439	692154	2	O-RING, Oil Gallery -(Part information located in Cylinder Group.)
448	841488	1	BRACKET, Oil Cooler
468	690690	1	SEAL, O-Ring -(Oil Pump Screen)
479	807084	1	SCREW -(Oil Pump Screen)(M6x14mm)
523	693175	1	DIPSTICK
524	693172	1	SEAL, O-Ring -(Dipstick Tube)
525	693174	1	TUBE, Dipstick
596	691492	2	SCREW -(Oil Pump)(M6x30mm)
601	841597	2	CLAMP, Hose
737	690679	2	SCREW -(Oil Filter Adaptor)(M6x21mm)
829	841999	2	HOSE/CLAMP ASSEMBLY
988	692063	1	GASKET, Oil Adapter
1017	690900	1	SCREEN, Oil Pump
1024	843825	1	PUMP, Oil
1027	842921	1	FILTER, Oil
1028	843898	1	ADAPTER, Oil Filter
1548	843827	2	BEARING, Ball -(Crankcase Cover/Sump)



Crankshaft Group

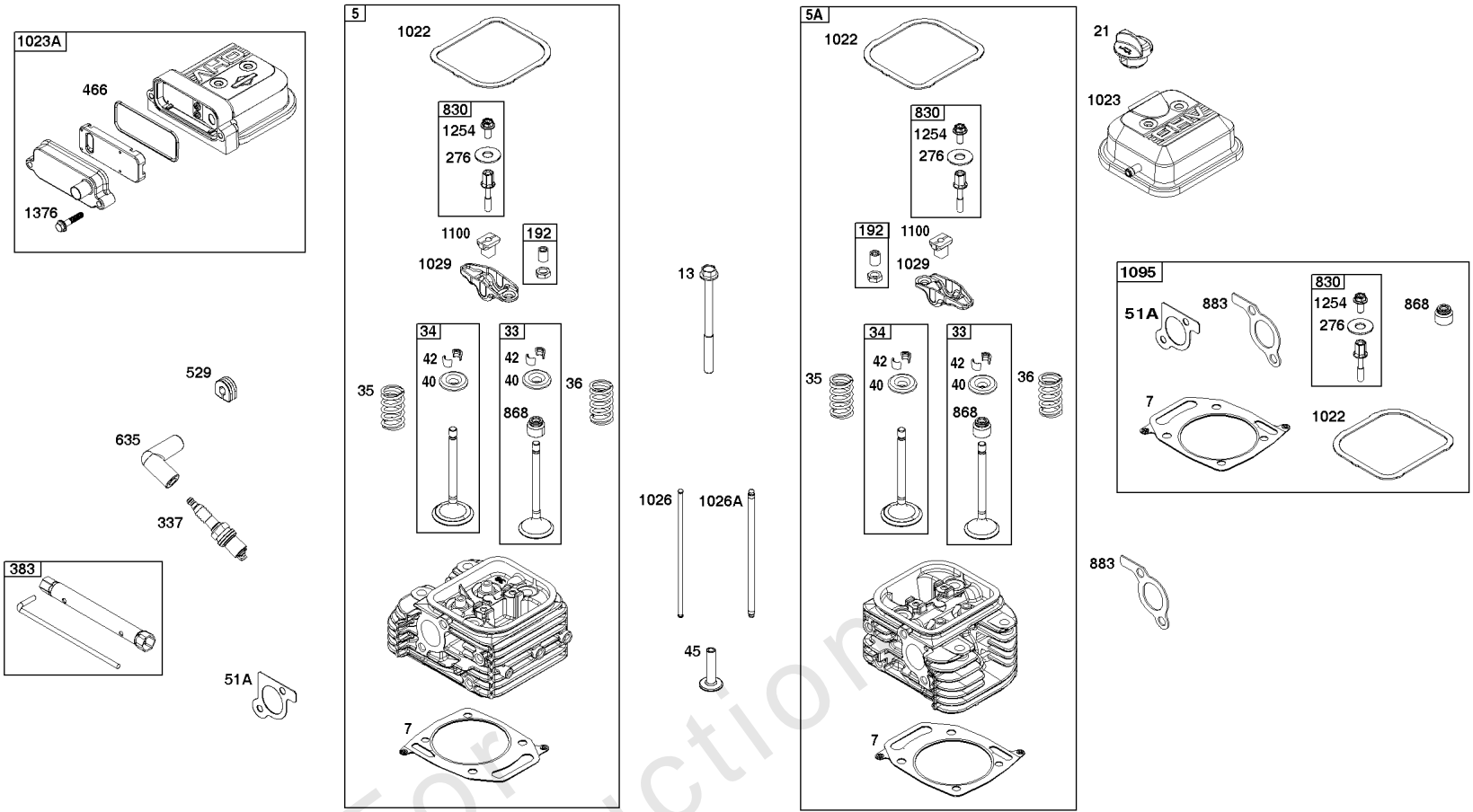
REF NO	PART NO	QTY	DESCRIPTION
16	84001973	1	CRANKSHAFT
25	843805	2	PISTON ASSEMBLY
25	843823	2	PISTON ASSEMBLY -(.020 Oversize)
26	843806	2	SET, Ring
26	843824	2	SET, Ring -(.020 Oversize)
27	844023	2	PIN, Piston
28	844023	2	PIN, Piston
29	807900S	2	ROD, Connecting
32	690698	2	SCREW -(Connecting Rod)
46	845650	1	CAMSHAFT
146	691639	1	KEY, Timing
377	808095	1	KEY, Flywheel
598	807625	1	SHIM, End Play -(Crankshaft or Camshaft Bearing)
741	846085	1	GEAR, Timing

Not For Reproduction



Cylinder Group

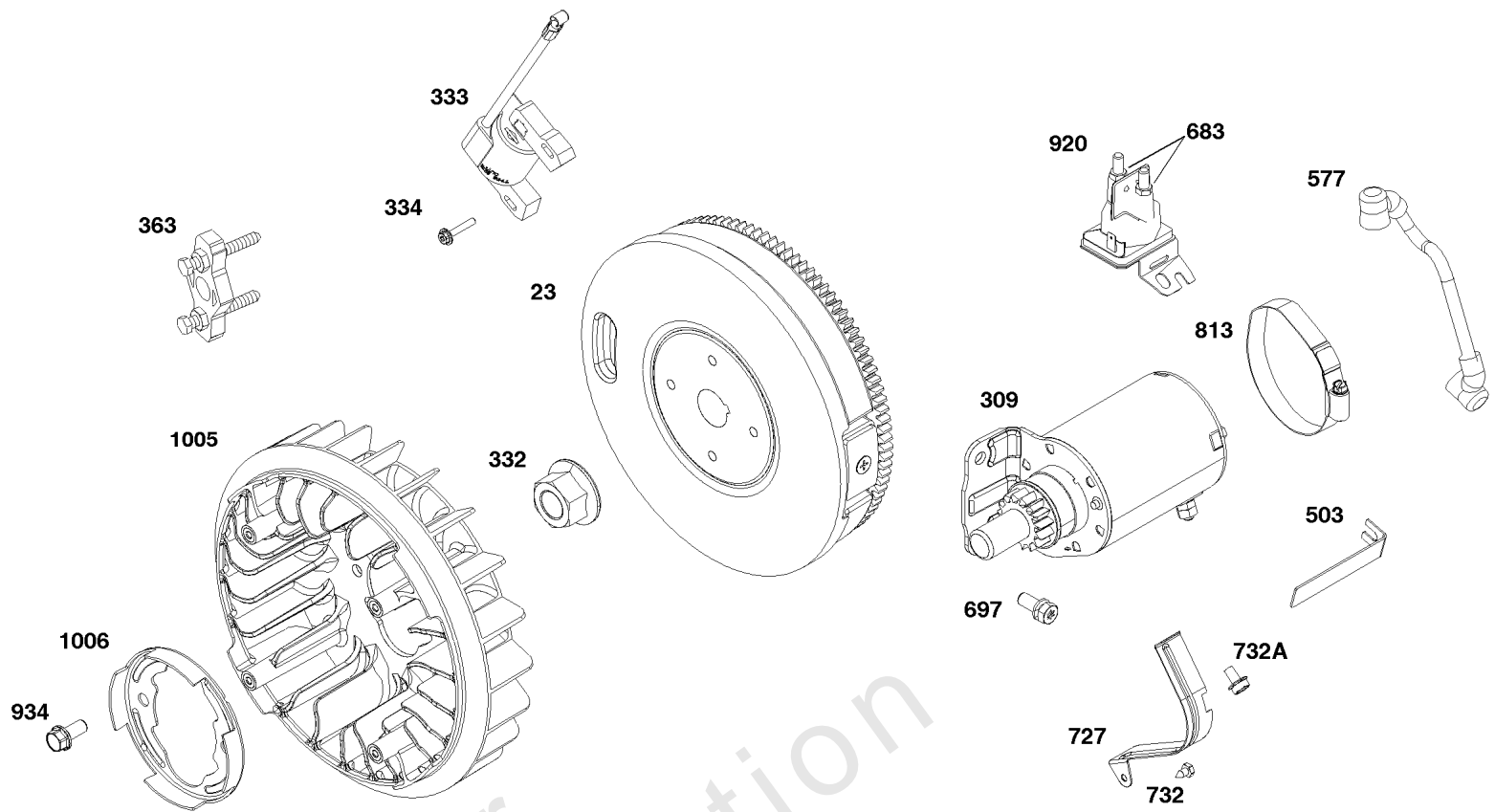
REF NO	PART NO	QTY	DESCRIPTION
1	842603	1	CYLINDER ASSEMBLY
2	808534	1	KIT, Bushing/Seal -(Magneto Side)
3	805101S	1	SEAL, Oil -(Magneto Side)
7	-----		GASKET, Cylinder Head -(Part information located in Cylinder Head Group.)
12	-----		GASKET, Crankcase -(Part information located in Crankcase Cover/Sump and Lubrication Group.)
15	690946	2	PLUG, Oil Drain
20	-----		SEAL, Oil -(Part information located in Crankcase Cover/Sump and Lubrication Group.)
51A	-----		GASKET, Intake -(Part information located in Cylinder Head Group.)
163	-----		GASKET, Air Cleaner -(Part information located in Throttle Body and Fuel Supply Group.)
215	841183	1	GUIDE, Air -(Cylinder 1)
215A	841182	1	GUIDE, Air -(Cylinder 2)
273	-----		SEAL, O-Ring -(Part information located in Crankcase Cover/Sump and Lubrication Group.)
276	-----		WASHER, Sealing -(Part information located in Cylinder Head Group.)
358	842658	1	GASKET SET, Engine -(Some Components Used Within This Service Kit Are Not Used On This Engine)
405	807163	4	SCREW -(Back Plate) (Lockerwasher Head) (M6x10)
439	692154	1	O-RING, Oil Gallery
447	841233	9	SCREW -(Air Guide Cover) (M6x10mm)
468	-----		SEAL, O-Ring -(Part information located in Crankcase Cover/Sump and Lubrication Group.)
573	841314	1	PLATE, Back
718	806469	2	PIN, Locating
865	843768	1	COVER, Air Guide
868	-----		SEAL, Valve -(Part information located in Cylinder Head Group.)
883	-----		GASKET, Exhaust -(Part information located in Cylinder Head Group.)
988	-----		GASKET, Oil Adapter -(Part information located in Crankcase Cover/Sump and Lubrication Group.)
1022	-----		GASKET, Rocker Cover -(Part information located in Cylinder Head Group.)
1334	841233	2	SCREW -(Air Guide) (M6x10mm)



Not For
Reproduction

Cylinder Head Group

REF NO	PART NO	QTY	DESCRIPTION
5	845713	1	HEAD, Cylinder -(Cylinder 1)
5A	845714	1	HEAD, Cylinder -(Cylinder 2)
7	842622	2	GASKET, Cylinder Head
13	842618	8	SCREW -(Cylinder Head)
21	809500	1	CAP, Oil Fill
33	806419	2	VALVE, Exhaust
34	845712	2	VALVE, Intake
35	692084	2	SPRING, Valve -(Intake)
36	692084	2	SPRING, Valve -(Exhaust)
40	692058	4	RETAINER, Valve
42	807683	8	KEEPER, Valve
45	843379	4	TAPPET, Valve
51A	806418	2	GASKET, Intake
192	807623	4	ADJUSTER, Rocker Arm
276	807085	4	WASHER, Sealing
337	792015	2	PLUG, Spark
383	19576S	1	WRENCH, Spark Plug
466	806466	1	SEAL, O-Ring
529	690744	2	GROMMET
635	692076	2	BOOT, Spark Plug
830	809157	4	STUD, Rocker Arm -(Rocker Arm)
868	691963	2	SEAL, Valve -(Exhaust)
883	806425	2	GASKET, Exhaust
1022	806039S	2	GASKET, Rocker Cover
1023	690910	1	COVER, Rocker
1023A	843750	1	COVER, Rocker
1026	691836	2	ROD, Push
1026A	691758	2	ROD, Push -(Exhaust)
1029	807323	4	ARM, Rocker
1095	842662	1	GASKET SET, Valve -(Service Kits may include extra parts not specific to this engine.)
1100	791959	4	PIVOT, Rocker Arm
1254	807084	4	SCREW
1376	806421	2	SCREW -(Breather Reed Cover)



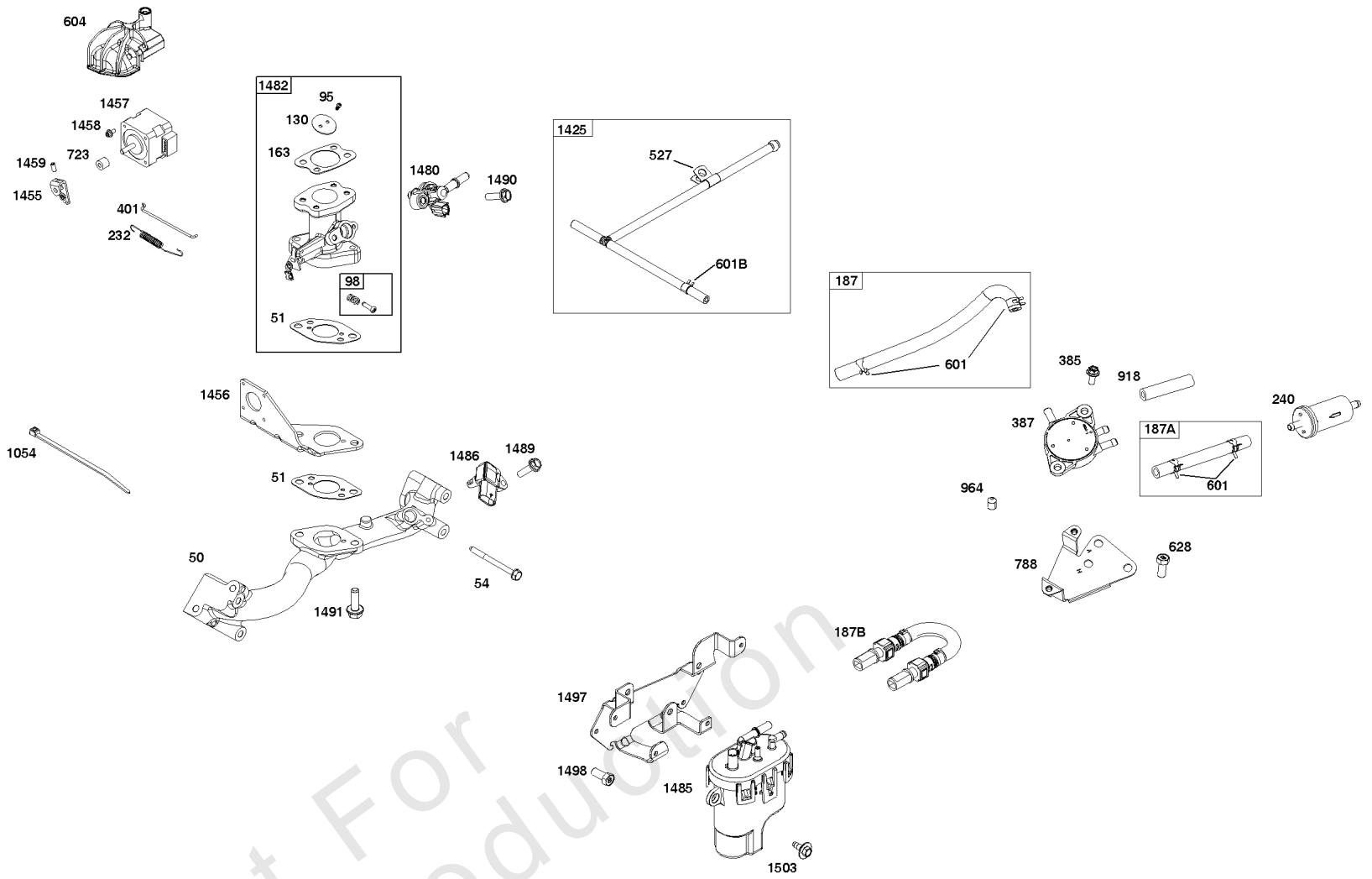
Not For
Reproduction

Flywheel, Ignition, and Starter Group

REF NO	PART NO	QTY	DESCRIPTION
23	845489	1	FLYWHEEL
309	844717	1	MOTOR, Starter
332	690887	1	NUT -(Flywheel)
332	690939	4	NUT -(Flywheel)
333	845606	2	ARMATURE, Magneto
334	692066	4	SCREW -(Magneto Armature)
363	19203	1	PULLER, Flywheel
503	845016	1	STRAP, Starter
577	690795	1	CABLE, Starter
683	691029	2	NUT -(Starter Solenoid)
697	691902	2	SCREW -(Starter Motor) (Drive Cap)
727	841313	1	COVER, Starter Drive
732	690688	1	SCREW -(Starter Drive Cover)
732A	841233	1	SCREW -(Starter Drive Cover)
813	690635	1	CLAMP
920	846820	1	SOLENOID, Starter
934	692062	6	SCREW -(Fan Retainer)
934	841735	3	SCREW -(Fan Retainer)
1005	841439	1	FAN, Flywheel
1006	690452	1	RETAINER, Fan

Throttle Body and Fuel Supply Group

Mfg. No: 38E347-0006-G1



Not For
Reproduction

Throttle Body and Fuel Supply Group

REF NO	PART NO	QTY	DESCRIPTION
50	847137	1	MANIFOLD, Intake
51	691694	2	GASKET, Intake
54	806444	4	SCREW
95	846644	2	SCREW -(Throttle Valve) (M3x5mm)
98	847139	1	KIT, Idle Speed
130	847262	1	VALVE, Throttle
187	846584	1	LINE, Fuel
187A	791766	1	LINE, Fuel
187B	847473	1	LINE, Fuel
232	847470	1	SPRING, Governor
240	845125	1	FILTER, Fuel
385	807084	2	SCREW -(Fuel Pump) (M6x14mm)
387	808656	1	PUMP, Fuel
401	845814	1	LINK, Actuator
527	845268	1	CLAMP, Hose
601	691038	2	CLAMP, Hose
601B	593879	1	CLAMP, Hose
604	84001958	1	COVER, Control
628	806660	1	SCREW -(Fuel Pump Bracket) (M8x18mm)
723	845818	1	SEAL, Foam
788	691559	1	BRACKET, Fuel Pump
918	84001964	1	LINE, Fuel
964	590799	2	CAP, Connector
1503	594618	3	SCREW -(Fuel Module) (1/4-20x.5)
1054	280275	3	TIE, Cable -(Part information located in Controls Group.)
1425	847556	1	HOSE, Purge Line
1455	845813	1	LEVER, Actuator
1456	845815	1	BRACKET, Mounting
1457	847142	1	MOTOR, Stepper
1458	845812	4	SCREW -(Stepper Motor) (M3x8mm)
1459	845820	1	SCREW
1480	846618	1	INJECTOR, Fuel
1482	847138	1	BODY, Throttle
1485	593890	1	MODULE, Fuel
1486	593905	1	SENSOR, Temperature/Manifold Absolute Pressure (MAP)
1489	690679	1	SCREW -(TEMP/MAP Sensor) (M6x21mm)
1490	690679	1	SCREW -(Fuel Injector) (M6x21mm)
1491	807382	2	SCREW -(Throttle Body) (M8x25mm)
1497	84001967	1	BRACKET, Fuel Module
1498	84001969	4	SCREW -(Fuel Module Bracket) (M4x10mm)

