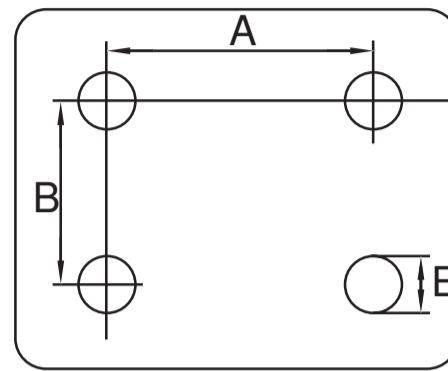
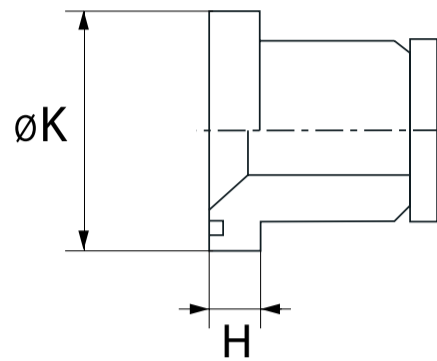




SAE Flanschmasse

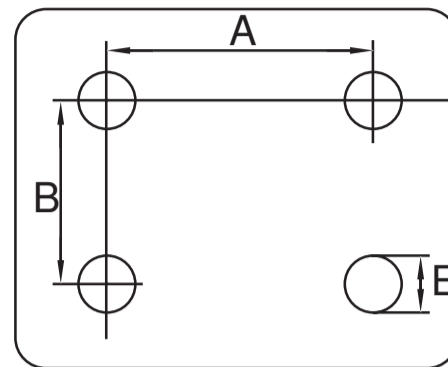
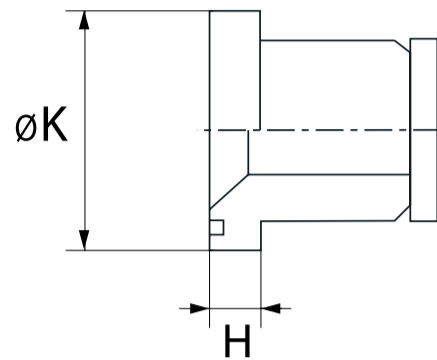


Ø Flansch	Flanschhöhe	Flanschtyp	DN	Norm	Lochbild		Festigkeitsklasse 10.9	
Ø K mm	H mm				A mm	B mm	E mm	E UN
30.2	6.7	08FL (08PA)	1/2"	3000 psi	38.1	17.5	M08x25	5/16x1-1/4
38.1	6.7	12FL (12PA)	3/4"	3000 psi	47.6	22.2	M10x30	3/8x1-1/4
44.5	8.0	16FL (16PA)	1"	3000 psi	52.4	26.2	M10x30	3/8x1-1/4
50.8	8.0	20FL (20PA)	1-1/4"	3000 psi	58.7	30.2	M10x30	7/16x1-1/2
60.3	8.0	24FL (24PA)	1-1/2"	3000 psi	69.8	35.7	M12x35	1/2x1-1/2
71.4	9.5	32FL (32PA)	2"	3000 psi	77.8	42.9	M12x35	1/2x1-1/2
84.1	9.5	40FL (40PA)	2-1/2"	3000 psi	88.9	50.8	M12x40	1/2x1-1/2
101.6	9.5	48FL (48PA)	3"	3000 psi	106.4	61.9	M16x50	5/8x2
31.8	7.7	08FLH (08PH)	1/2"	6000 psi	40.5	18.2	M08x30	5/16x1-1/4
41.3	8.7	12FLH (12PH)	3/4"	6000 psi	50.8	23.8	M10x35	3/8x1-1/2
47.6	9.5	16FLH (16PH)	1"	6000 psi	57.2	27.8	M12x45	7/16x1-3/4
54.0	10.3	20FLH (20PH)	1-1/4"	6000 psi	66.7	31.8	M14x50	1/2x1-3/4
63.5	12.5	24FLH (24PH)	1-1/2"	6000 psi	79.4	36.5	M16x55	5/8x2
79.5	12.5	32FLH (32PH)	2"	6000 psi	96.8	44.5	M20x70	3/4x2-1/2
34.0	6.7	10FLK	5/8"	Komatsu	42.9	19.8	M08	5/16"-18
41.3	14.2	12FLC	3/4"	Caterpillar	50.8	23.8	M10	3/8"-16
47.6	14.2	16FLC	1"	Caterpillar	57.1	27.8	M12	7/16"-14
54.0	14.2	20FLC	1-1/4"	Caterpillar	66.7	31.8	M14	1/2"-13
63.5	14.2	24FLC	1-1/2"	Caterpillar	79.4	36.5	M16	5/8"-11
79.5	14.2	32FLC	2"	Caterpillar	96.8	44.5	M20	3/4"-10
17.0	x	17MPFL / FPFL	1/2"	Poclain	40.2	18.2	M8	-
21.0	x	21MPFL / FPFL	1/2"	Poclain	40.2	18.2	M8	-
27.0	x	27MPFL / FPFL	3/4"	Poclain	50.4	23.8	M10	-
34.0	x	34MPFL / FPFL	1"	Poclain	56.9	26.8	M14	-
42.0	x	42MPFL / FPFL	1-1/4"	Poclain	-	-	-	-





Dimensions des flasques selon SAE



Ø Flasque	Hauteur de la flasque	Type de flasque	DN	Norme	Entraxe de fixation		Classe de résistance 10.9	
					A mm	B mm	E mm	E UN
30.2	6.7	08FL (08PA)	1/2"	3000 psi	38.1	17.5	M08x25	5/16x1-1/4
38.1	6.7	12FL (12PA)	3/4"	3000 psi	47.6	22.2	M10x30	3/8x1-1/4
44.5	8.0	16FL (16PA)	1"	3000 psi	52.4	26.2	M10x30	3/8x1-1/4
50.8	8.0	20FL (20PA)	1-1/4"	3000 psi	58.7	30.2	M10x30	7/16x1-1/2
60.3	8.0	24FL (24PA)	1-1/2"	3000 psi	69.8	35.7	M12x35	1/2x1-1/2
71.4	9.5	32FL (32PA)	2"	3000 psi	77.8	42.9	M12x35	1/2x1-1/2
84.1	9.5	40FL (40PA)	2-1/2"	3000 psi	88.9	50.8	M12x40	1/2x1-1/2
101.6	9.5	48FL (48PA)	3"	3000 psi	106.4	61.9	M16x50	5/8x2
31.8	7.7	08FLH (08PH)	1/2"	6000 psi	40.5	18.2	M08x30	5/16x1-1/4
41.3	8.7	12FLH (12PH)	3/4"	6000 psi	50.8	23.8	M10x35	3/8x1-1/2
47.6	9.5	16FLH (16PH)	1"	6000 psi	57.2	27.8	M12x45	7/16x1-3/4
54.0	10.3	20FLH (20PH)	1-1/4"	6000 psi	66.7	31.8	M14x50	1/2x1-3/4
63.5	12.5	24FLH (24PH)	1-1/2"	6000 psi	79.4	36.5	M16x55	5/8x2
79.5	12.5	32FLH (32PH)	2"	6000 psi	96.8	44.5	M20x70	3/4x2-1/2
34.0	6.7	10FLK	5/8"	Komatsu	42.9	19.8	M08	5/16"-18
41.3	14.2	12FLC	3/4"	Caterpillar	50.8	23.8	M10	3/8"-16
47.6	14.2	16FLC	1"	Caterpillar	57.1	27.8	M12	7/16"-14
54.0	14.2	20FLC	1-1/4"	Caterpillar	66.7	31.8	M14	1/2"-13
63.5	14.2	24FLC	1-1/2"	Caterpillar	79.4	36.5	M16	5/8"-11
79.5	14.2	32FLC	2"	Caterpillar	96.8	44.5	M20	3/4"-10
17.0	x	17MPFL / FPFL	1/2"	Poclain	40.2	18.2	M8	-
21.0	x	21MPFL / FPFL	1/2"	Poclain	40.2	18.2	M8	-
27.0	x	27MPFL / FPFL	3/4"	Poclain	50.4	23.8	M10	-
34.0	x	34MPFL / FPFL	1"	Poclain	56.9	26.8	M14	-
42.0	x	42MPFL / FPFL	1-1/4"	Poclain	-	-	-	-

