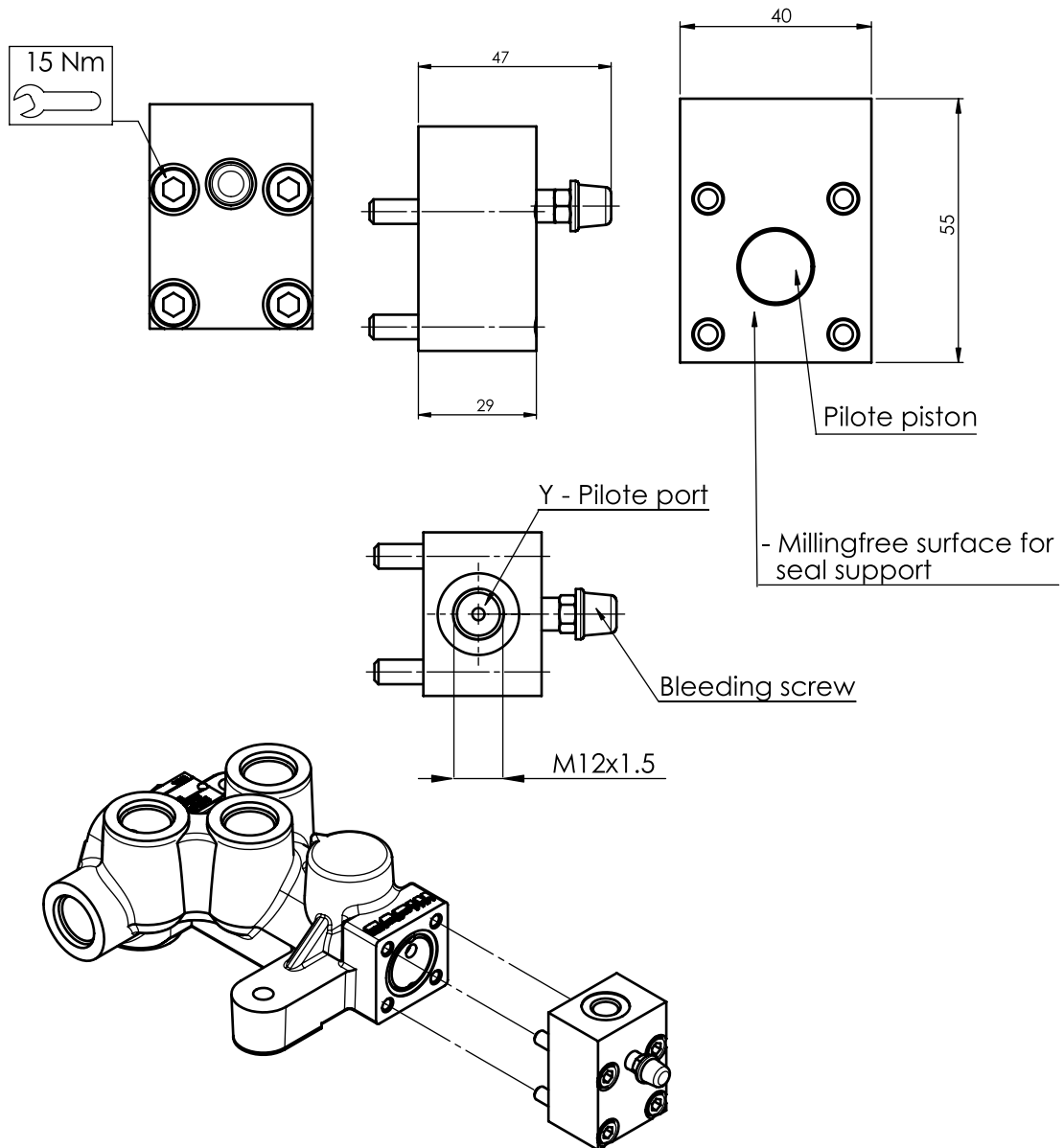
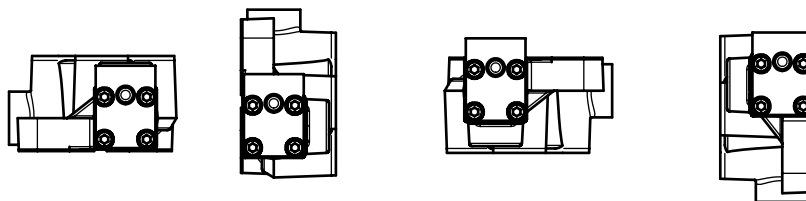


**Mineralöl Pilot System – Ansteuerköpfe BV10-M**
*Mineral Oil Pilot System*

**ASSEMBLING POSITIONS**


Pilote port screw in the upper part