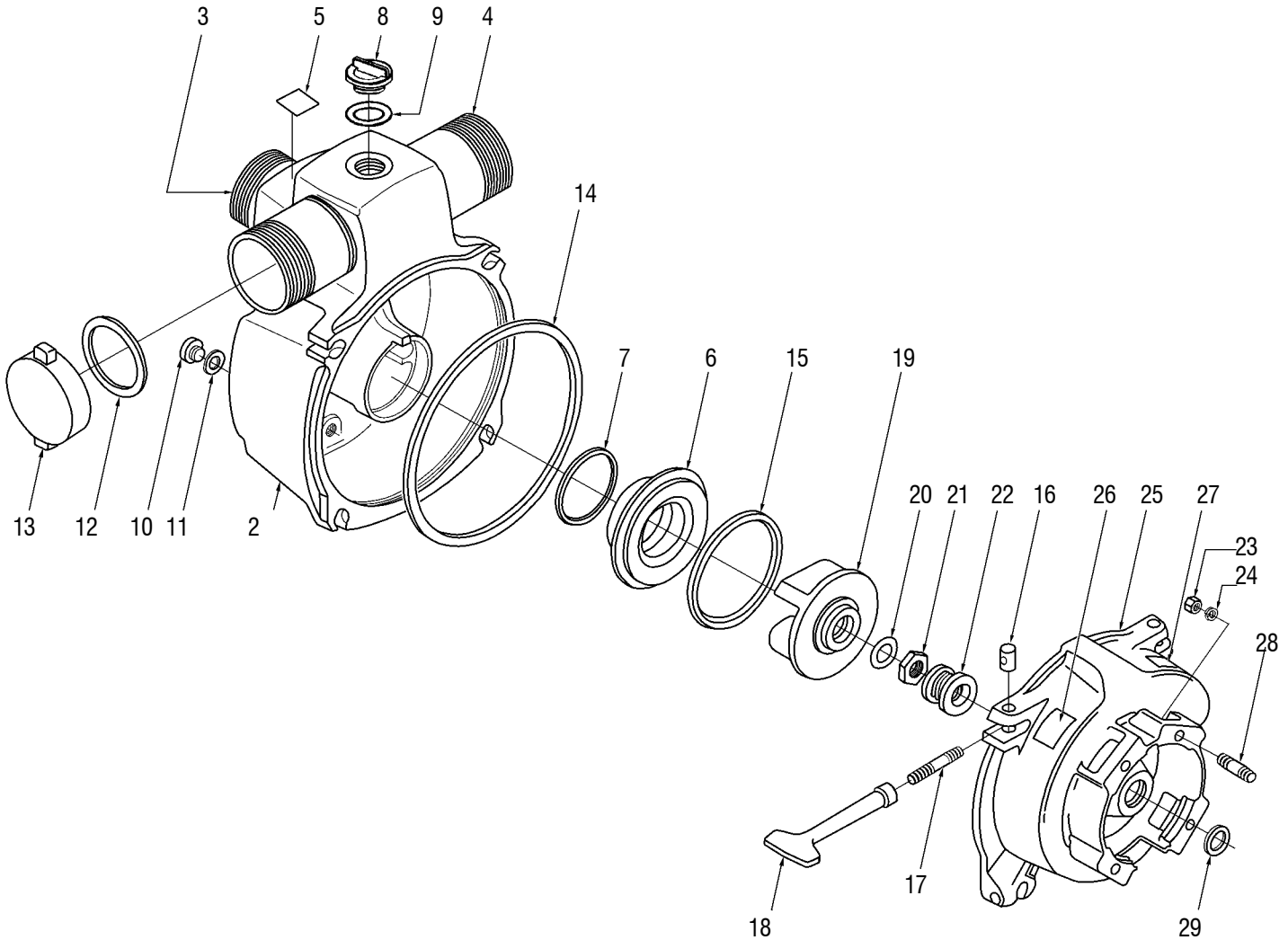


TP4V (UTL1605Z)

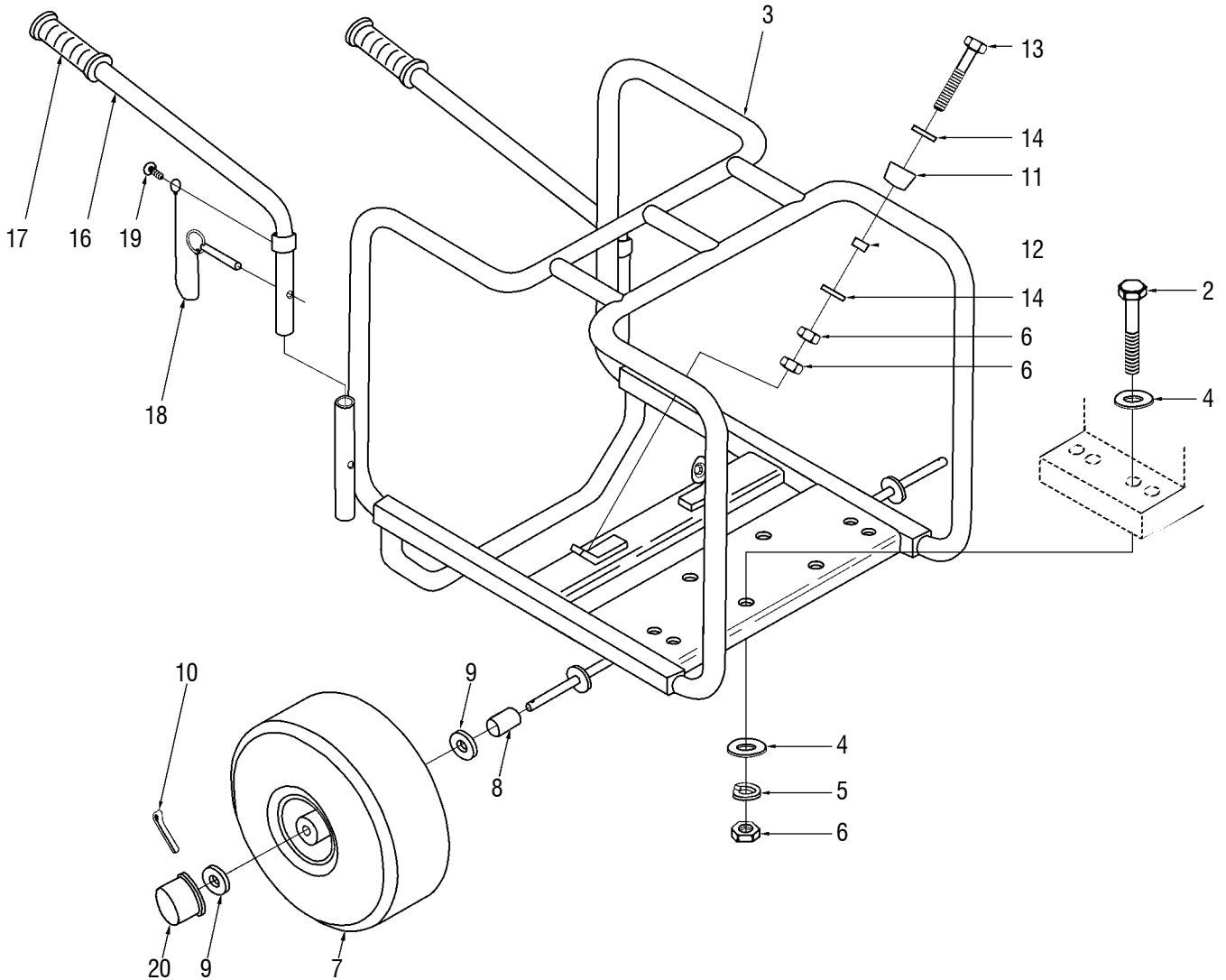


TORQUE SPECS

REF NO.	Inch Pounds	Newton Meters	Notes:
17	205-225	23.2-25.4	17-18.8 Foot Pounds
21	300-325	33.9-36.7	25-27 Foot Pounds
23	300-350	33.9-39.5	25-29 Foot Pounds
28	360-400	40.7-45.2	30-33.3 Foot Pounds

REF NO.	PART NO.	DESCRIPTION	QTY.	REF NO.	PART NO.	DESCRIPTION	QTY.
NS	08546	Engine, Vanguard OHV 16hp	1	16	54570 1	Handle Pivot	4
2	A 09130	End Housing [includes #3, 4, 5]	1	17	54571	Handle Stud	4
3	54957 1	Suction Fitting	1	18	54572 2A	Disconnect Handle	4
4	54958 1	Discharge Fitting	2	19	47920 3	Impeller	1
5	08970	Decal, Fill Pump	1	20	43893	Shim, .010"	AR
6	50679 1	Wear Plate	1		43894	Shim, .015"	AR
7	54665	Gasket, Small	1		43895	Shim, .032"	AR
8	43969	Filler Cap [includes #9]	1	21	46151	Hex Nut	1
9	18108	Gasket, Filler Cap	1	22	46150	Shaft Seal	1
10	A 43896	Drain Plug [includes #11]	1	23	81060	Hex Nut, 7/16-14	4
11	59910	Gasket, Filler Plug	1	24	83054	Lockwasher, 7/16"	4
12	PS 25672	Hose Coupling Gasket	1	25	54458 2B	Impeller Housing [includes #26, 27]	1
13	53341 2A	Discharge Cap	1	26	09081	Decal, Safety	1
14	54664	Gasket	1	27	08971	Decal, Warning	1
15	53189	Wear Plate Gasket	1	28	54963	Stud, 7/16-14	4
				29	62688	Slinger	1

TP4V (UTL1605Z)



TORQUE SPECS

REF NO.	Inch Pounds	Newton Meters	Notes:
2	205-225	23.2-25.4	17-18.8 Foot Pounds
15	130-145	14.7-16.4	

OTHER PARTS & ACCESSORIES:

PART NO.	DESCRIPTION
A 48367 A	Overhaul Seal Kit
54956	Strainer, 4"
15038	Foot Valve, 4"
L 00295	Owner's Manual
A 15062	Spanner Wrench Kit, 4"

REF NO.	PART NO.	DESCRIPTION	QTY.
2	80288	Cap Screw, Hex Head, 5/16-18 x 1-3/4"	4
3	A 08002 A	Roll Cage	1
4	84001	Washer, Flat, 5/16"	8
5	83002	Lockwasher, 5/16"	4
6	81162	Hex Nut, 5/16-18	8
7	A 08255 A	Wheel & Tire	2
8	08254	Spacer	2
9	66628	Washer, Flat	4
10	86319	Cotter Pin, .156 X 1-1/2"	2
11	48789	Rubber Foot	2
12	49733	Spacer	2
13	08747	Screw, Hex Head, 5/16-18 x 2-3/4"	2
14	84046	Washer, Flat, 5/16"	4
16	A 08745	Handle	2
17	07452 G	Handle Grip	2
18	08743 A	Hitch Pin & Lanyard	2
19	82600	Screw, Truss Head, 8-32 x 3/8"	2
20	23253	Hub Cap	2