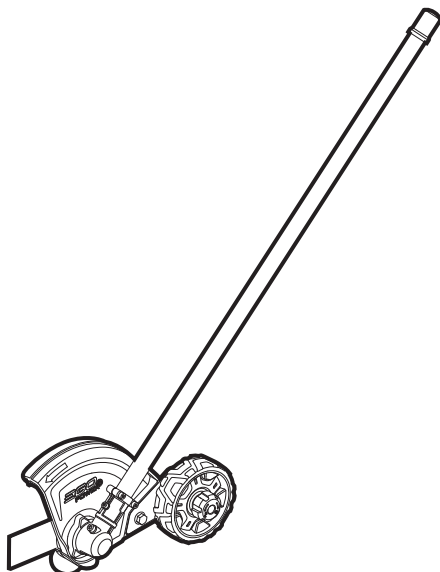


# EGO™

## POWER<sup>+</sup> EDGER ATTACHMENT



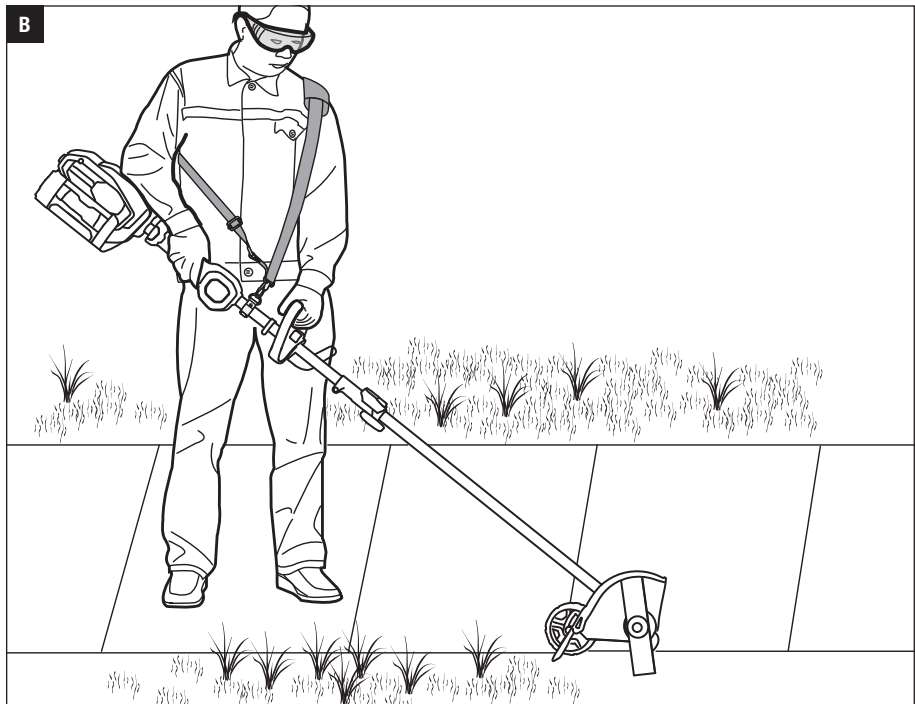
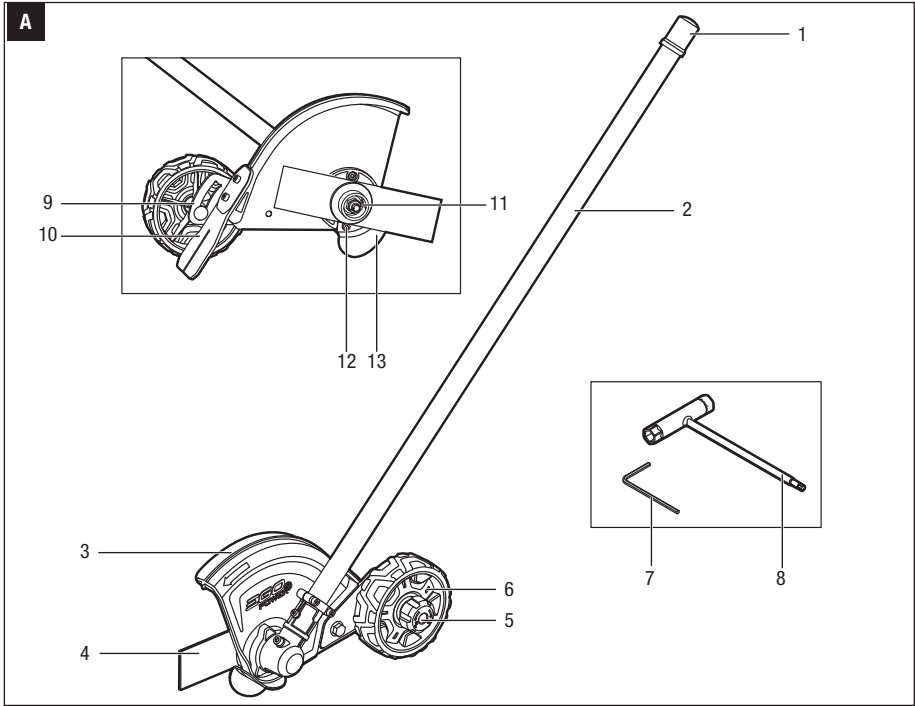
OPERATOR'S MANUAL

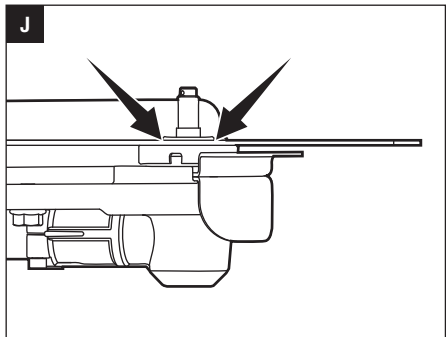
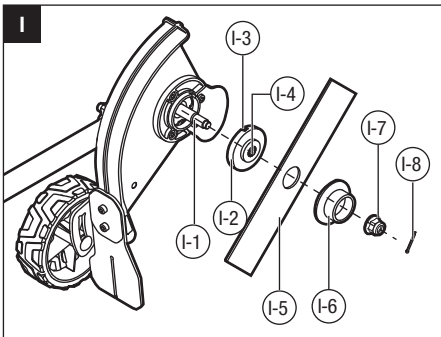
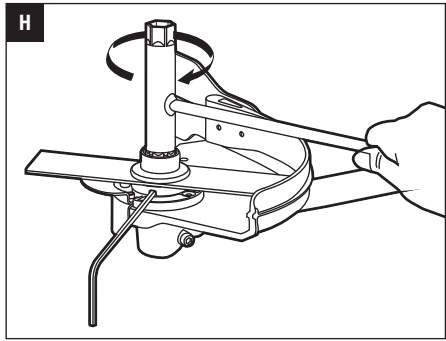
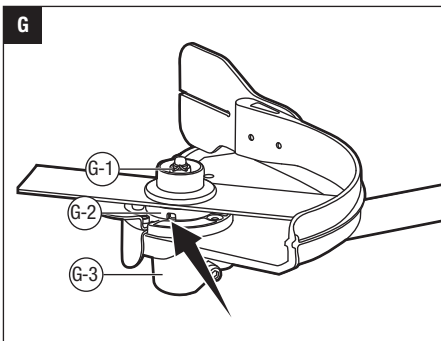
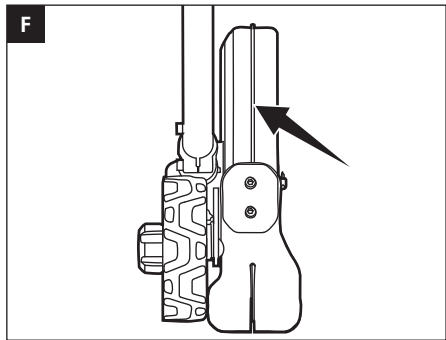
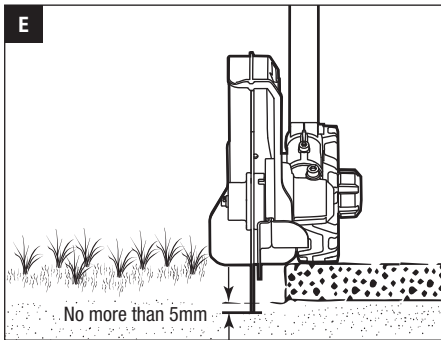
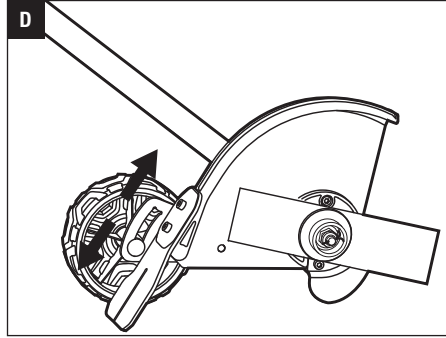
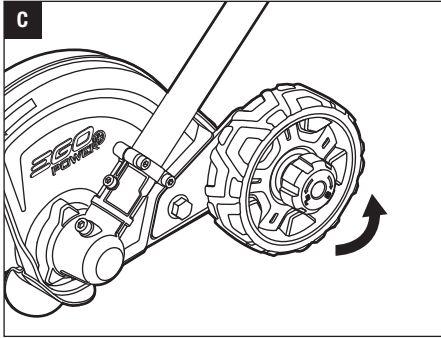
### EDGER ATTACHMENT

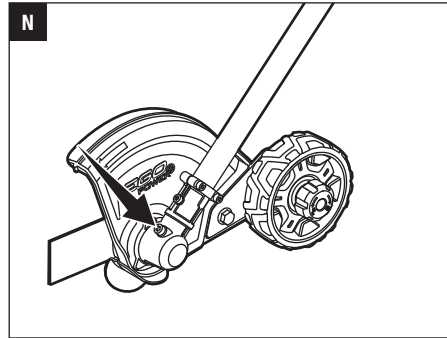
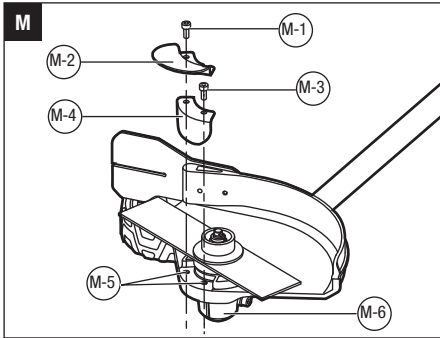
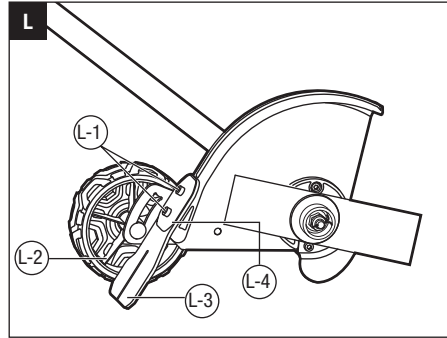
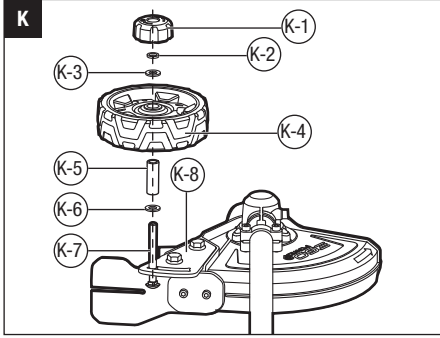
MODEL NUMBER EA0800

FOR USE ONLY WITH THE 56V LITHIUM-ION POWER HEAD PH1400E

EN	Edger attachment	5	CZ	Nástavec pro ořezávač okrajů trávniků	117
DE	Rasenkantenschneider-aufsatz	13	SK	Nástavec pre orezávač okrajov trávniká	125
FR	Accessoire coupe-bordures	22	HU	Fűszegélyvágó tartozék	134
ES	Accesorio para recortar bordes de	31	RO	Dispozitiv de profilat margini	143
PT	Acessório aparador	40	SL	Obrezovalnik robov	152
IT	Accessorio bordatore	48	LT	Kraštų pjoviklio įtaisas	160
NL	Multitool kantensnijder accessoire	57	LV	Apmaļu griežēja papildierīce	168
DK	Kantskærertilbehør	66	GR	Προσαρτημα ακροκοφτη	177
SE	Kantskärare-tillbehör	74	TR	Kenar düzeltme aparatı aksesuari	187
FI	Reunaleikkurilisäosa	82	ET	Multitööriista servalõikur	195
NO	Kantskjærer (tilbehør)	90			
RU	Инструмент для обрезки кромок	98			
PL	Końcówka do wyrównywania brzegów	108			







## READ ALL INSTRUCTIONS!



### READ OPERATOR'S MANUAL

**⚠ Residual risk!** People with electronic devices, such as pacemakers, should consult their physician(s) before using this product. Operation of electrical equipment in close proximity to a heart pacemaker could cause interference or failure of the pacemaker.

**⚠ WARNING:** To ensure safety and reliability, all repairs and replacements should be performed by a qualified service technician.

## SAFETY SYMBOLS

The purpose of safety symbols is to attract your attention to possible dangers. The safety symbols and the explanations with them deserve your careful attention and understanding. The symbol warnings do not, by themselves, eliminate any danger. The instructions and warnings they give are no substitutes for proper accident prevention measures.

**⚠ WARNING:** Be sure to read and understand all safety instructions in this Operator's Manual, including all safety alert symbols such as **"DANGER," "WARNING,"** and **"CAUTION"** before using this tool. Failure to follow all instructions listed below may result in electric shock, fire, and/or serious personal injury.

## SYMBOL MEANING

**⚠ SAFETY ALERT SYMBOL:** Indicates **DANGER, WARNING, OR CAUTION.** May be used in conjunction with other symbols or pictographs.

**⚠ WARNING:** The operation of any power tools can result in foreign objects being thrown into your eyes, which can result in severe eye damage. Before beginning power tool operation, always wear safety goggles or safety glasses with side shields and a full face shield when needed. We recommend a Wide Vision Safety Mask for use over eyeglasses or standard safety glasses with side shields.

## SAFETY INSTRUCTIONS

This page depicts and describes safety symbols that may appear on this product. Read, understand, and follow all instructions on the machine before attempting to assemble and operate it.

	Safety Alert	Indicates a potential personal injury hazard.
	Read Operator's Manual	To reduce the risk of injury, user must read and understand operator's manual before using this product.
	Wear Ear and Eye Protection	Always wear ear protection and safety goggles or safety glasses with side shields and a full face shield when operating this product.
	Keep Bystanders at a Safe Distance	Ensure that other people and pets remain a certain distance away from the edger when it is in use.
	Direction of Edger Blade Rotation	Indicates the direction of the edger blade rotation.
	Thrown Objects	Edger debris can affect stable footing. Use extreme care when walking in edging area.
	Rotating Cutting Blade	Do not put hands or feet near or under rotating parts.
	Do Not Expose To Rain	Do not use in the rain or leave outdoors while it is raining.
	CE	This product is in accordance with applicable EC directives.
	WEEE	Waste electrical products should not be disposed of with household waste. Take to an authorized recycler.
	Noise	Guaranteed sound power level. Noise emission to the environment according to the European community's Directive.
V	Volt	Voltage
mm	Millimeter	Length or size
cm	Centimeter	Length or size
kg	Kilogram	Weight
	Direct Current	Type or a characteristic of current

## IMPORTANT SAFETY INSTRUCTIONS

**⚠ WARNING!** When using electric gardening appliances, basic safety precautions should always be followed to reduce the risk of fire, electric shock, and personal injury, including the following:

### READ CAREFULLY BEFORE USE

### KEEP FOR FUTURE REFERENCE

**⚠ DANGER!** Do not rely on the tool's insulation against electric shock. To reduce the risk of electrocution, never operate the machine in the vicinity of any wires or cables (power, etc.) which may carry electric current.

**⚠ CAUTION!** Wear appropriate personal hearing protection during use. Under some conditions and durations of use, noise from this product may contribute to hearing loss.

### Training

- Read the instructions carefully. Be familiar with the controls and the proper use of the equipment.
- Never allow children or people unfamiliar with these instructions to use the edger. Local regulations may restrict the age of the operator.
- Never edge while people, especially children, or pets are nearby.
- Keep in mind that the operator or user is responsible for accidents or hazards occurring to other people or their property.

### Preparation

- While edging, always wear eye and ear protection, substantial foot wear, and long trousers.
- Thoroughly inspect the surface where the equipment is to be used and remove all stones, sticks, wires, bones and other foreign objects.
- Before using, always visually inspect to see that the blades, blade bolt and cutter assembly are not worn or damaged. Replace worn or damaged blades and bolts in sets to preserve balance.

### Operation

- Edge only in daylight or in good artificial light.
- Always be sure of your footing on slopes.
- Walk, never run.
- Use extreme caution when reversing or pulling the edger toward you.
- Make sure the blade has stopped before crossing surfaces other than grass and when transporting the edger to and from the area to be edged.

- Never operate the edger with defective, missing or incorrectly fitted guards.
- Do not change the motor governor settings or overspeed the motor.
- Start the switch on the motor carefully according to instructions and with feet well away from the blade(s).
- Do not start the motor when a bystander is standing in front of the blade(s).
- Do not put hands or feet near or under rotating parts.
- Always switch off the motor and disconnect from the battery:
  - 1) Before clearing blockages;
  - 2) Before checking, cleaning or working on the blade(s);
  - 3) After striking a foreign object: Inspect the blade(s) for damage and make repairs before restarting and operating the edger;
  - 4) If edger starts to vibrate abnormally (check immediately).
- Stop the motor whenever you leave the edger;
- Do not charge the battery pack in rain, or in wet locations.
- Use only with EGO's battery packs and chargers.

BATTERY PACK	CHARGER
BA1120E, BA2240E, BA2800, BA3360, BA4200	CH2100E CH5500E

- The battery pack must be removed from the appliance before it is scrapped.
- The battery shall be disposed of safely.
- Do not dispose of the battery in a fire. The cells may explode. Check with local authorities for possible special disposal instructions.
- Do not open or mutilate the battery. Released electrolyte is corrosive and may cause damage to the eyes or skin. It may be toxic if swallowed.
- Exercise care in handling batteries in order not to short the battery with conducting materials such as rings, bracelets, and keys. The battery or conductor may overheat and cause burns.
- Battery tools do not have to be plugged into an electrical outlet; therefore, they are always in operating condition. Be aware of possible hazards even when the tool is not operating. Take care when performing maintenance or service.
- Do not wash with a hose; avoid getting water in motor and electrical connections.

### Maintenance and storage

- Keep all nuts, bolts and screws tight to be sure the equipment is in safe working conditions.
- Replace worn or damaged parts.
- Do not attempt to repair the machine unless you are competent to do so.
- Use only manufacturer-recommended replacement parts and accessories.
- Disconnect the machine from the battery before carrying out maintenance or cleaning work.
- Inspect and maintain the machine regularly. Have the machine repaired only by an authorized repairer.
- When not in use, store the machine out of the reach of children.
- If situations occur that are not covered in this manual, use care and good judgment. Contact the EGO Service Center for assistance.
- Save these instructions. Refer to them frequently and use them to instruct others who may use this tool. If you loan this tool to someone else, also loan these instructions to them to prevent misuse of the product and possible injury.

### SAVE THESE INSTRUCTIONS

**NOTE: SEE YOUR POWER HEAD OPERATOR'S MANUAL FOR ADDITIONAL SPECIFIC SAFETY RULES.**

## SPECIFICATIONS

Blade Length	20 cm	
Edging Depth	Up to 75 mm	
Weight	2.26 kg	
Measured sound power level $L_{WA}$	92.4 dB(A) K=2.07 dB(A)	
Sound pressure level at operator's ear $L_{PA}$	79.8 dB(A) K=3 dB(A)	
Guaranteed sound power level $L_{WA}$ (according to 2000/14/EC)	95 dB(A)	
Vibration $a_h$	Front-assist Handle	1.2 m/s <sup>2</sup> K=1.5 m/s <sup>2</sup>
	Rear Handle	2.2 m/s <sup>2</sup> K=1.5 m/s <sup>2</sup>

- The above parameters are tested and measured equipped with power head PH1400E;
- The declared vibration total value has been measured in accordance with a standard test method and may be used for comparing one tool with another;

- The declared vibration total value may also be used in a preliminary assessment of exposure.
- **NOTE:** The vibration emission during actual use of the power tool can differ from the declared value in which the tool is used; in order to protect the operator, user should wear gloves and ear protectors in the actual conditions of use.

## PACKING LIST

PART NAME	QUANTITY
Edger Attachment	1
Hex Wrench	1
Multi-Functional Wrench	1
Cotter Pin	2
Operator's Manual	1

### Recommended Blade

PART NAME	MODEL NUMBER
Edger Blade	AEB0800

## DESCRIPTION

### KNOW YOUR EDGER ATTACHMENT (Fig.A)

1. End Cap
2. Edger Shaft
3. Blade Guard
4. Blade
5. Depth Adjusting Knob
6. Guide Wheel
7. Hex Wrench
8. Multi-Functional Wrench
9. Depth Adjusting Guide Bar
10. Debris Flap
11. Cotter Pin
12. Screw to lock guide plate in place
13. Guide Plate

## ASSEMBLY

**⚠ WARNING:** If any parts are damaged or missing, do not operate this product until the parts are replaced. Use of this product with damaged or missing parts could result in serious personal injury.

**⚠ WARNING:** Do not attempt to modify this product or create accessories not recommended for use with this edger. Any such alteration or modification is misuse and could result in a hazardous condition leading to possibly serious personal injury.

**⚠ WARNING:** Do not adjust the blade guard. The blade guard has been set at the factory so that the arrow on the blade guard and the open side point away from the operator. This ensures that cuttings and other debris are directed away from the power tool and the operator.

### CONNECTING THE EDGER ATTACHMENT TO THE POWER HEAD

This edger attachment is designed for use with EGO 56V Lithium-ion Power Head PH1400E.

See “**INSTALLING AN ATTACHMENT TO THE POWER HEAD**” section in the power head PH1400E operator’s manual.

## OPERATION

**⚠ WARNING:** Do not allow familiarity with this product to make you careless. Remember that a careless fraction of a second is sufficient to inflict serious injury.

**⚠ WARNING:** Always wear eye protection, along with hearing protection. Failure to do so could result in objects being thrown into your eyes and other possible serious injuries.

### APPLICATIONS

You may use this product for the purpose listed below:

- Edging around walkways, curbing, flower beds and other similar areas.

**NOTICE:** The tool is to be used only for its prescribed purpose. Any other use is deemed to be a case of misuse.

### Before each use check for damaged/worn parts

Check the blade, guard and front-assist handle and replace any parts that are cracked, warped, bent, or damaged in any way.

**⚠ WARNING:** To prevent serious personal injury, remove the battery pack from the tool before servicing, cleaning, changing attachments or removing material from the unit.

### USING THE EDGER ATTACHMENT WITH POWER HEAD

**⚠ WARNING:** Dress properly to reduce the risk of injury when operating this tool. Do not wear loose clothing or jewelry. Wear eye and ear/hearing protection. Wear heavy, long pants, boots and gloves. Do not wear short pants or sandals or go barefoot. Wear a face mask or dust mask in dusty locations.

**⚠ WARNING:** Clear away all obstacles and solid objects from the work area.

For safe and better operation, put on the shoulder strap across the shoulder. Adjust the shoulder strap in a comfortable operating position.

Hold the edger with your right hand on the rear handle and your left hand on the front-assist handle. Keep a firm grip with both hands while operating the tool. The edger should be held at a comfortable position with the rear handle about hip height (Fig. B).

**⚠ WARNING:** The shoulder strap is also a quick release mechanism in hazardous situation. When emergency occurs, take it off from your shoulder immediately, no matter what way the strap is in.

### After each use, clean the edger

See the MAINTENANCE section for cleaning instructions.

### ADJUSTING DEPTH OF CUT

1. Stop the motor and remove the battery pack.
2. Loosen the depth-adjusting knob in the direction of the unlocking arrow marked on the knob (Fig. C).
3. Move the guide wheel, along the depth-adjusting guide bar, up to increase the depth of cut or down to decrease the depth (Fig. D).
4. Adjust the guide wheel so that the blade just touches the ground or breaks the surface of the soil by no more than 5mm (Fig. E) and then tighten it securely.
5. Standing in the normal working position, check the depth of cut again and correct it if necessary.

### TO START/STOP THE TOOL

See “**STARTING/STOPPING THE POWER HEAD**” section in the power head PH1400E operator’s manual.

### OPERATING TIPS

- Hold and guide the power head so that the blade is vertical. Use the sight line to line the blade up with the edge of the bed (Fig. F).
- Operate at no more than a normal walking pace. If the blade begins to bog down, you are edging too fast; slow your pace.



- Always walk forwards when cutting and move the edger forward. Do not pull the edger towards you.
- Do not force the blade into the ground. Light contact of the blade against the sidewalk edge, curb, etc., is acceptable and will not damage the edger.
- Best results are obtained when grass is dry. Avoid edging in wet soil or wet grass areas or the blade guard might clog and result in an uneven edge. If the blade guard becomes clogged, stop the motor, remove the battery pack, and remove debris from the blade guard.

## MAINTENANCE

**⚠ WARNING:** Before inspecting, cleaning or servicing the unit, stop the motor, wait for all moving parts to stop, and remove the battery pack. Failure to follow these instructions can result in serious personal injury or property damage.

**⚠ WARNING:** When servicing, use only identical replacement parts. Use of any other parts can create a hazard or cause product damage. To ensure safety and reliability, all repairs, other than the items listed in these maintenance instructions, should be performed by a qualified service technician.

### GENERAL MAINTENANCE

Avoid using solvents when cleaning plastic parts. Most plastics are susceptible to damage from various types of commercial solvents and may be damaged by their use. Use clean cloths to remove dirt, dust, oil, grease, etc.

### CLEAN THE UNIT

- After each use, clean the debris, clogged soils or grass on the blade and guard with a soft brush. Wipe the edger surface with a clean cloth moistened with a mild soap solution.
- Use a small brush or a small vacuum cleaner to clean the air vents on the rear housing.

**NOTICE:** Do not use any strong detergents on the plastic housing or the handle. They can be damaged by certain aromatic oils such as pine and lemon.

### REPLACING THE BLADE

**⚠ WARNING:** Do not attempt to straighten or weld a bent or cracked blade-it may break-it must be replaced. Recommend replace only with EGO edger blade, see “**Recommended Blade**” section.

**NOTICE:** Replace the blade if its length is no longer sufficient to maintain the necessary ground clearance and obtain the required depth of cut.

**⚠ WARNING:** Always protect your hands by wearing heavy gloves or wrapping the blade with rags or other materials when performing any maintenance on the edger blade.

### Removing the blade

1. Stop the motor and remove the battery pack.
2. Lay the edger on its back so that the blade is facing upwards.
3. Wear protective gloves. Use a needle nose pliers (not included) to remove the cotter pin from the motor shaft (Fig. G).
4. Rotate the blade to align the slot in the flange with the hole in the gear case (Fig. G).

Fig. G parts description see below:

G-1	Cotter Pin
G-2	Inner Flange
G-3	Gear Case

5. Insert the hex wrench provided into the aligned holes to act as a stabilizer. Use the multi-functional wrench provided to loosen the nut **CLOCKWISE** (Fig. H).
6. Remove the nut, outer flange, blade and the inner flange from the motor shaft (Fig. I). Check and replace them if they are worn.

Fig. I parts description see below:

I-1	Motor Shaft	I-5	Blade
I-2	Inner Flange	I-6	Outer Flange
I-3	Slot in the Inner Flange	I-7	Nut
I-4	Bulge on the Inner Flange	I-8	Cotter Pin

### Installing the blade

1. Position the inner flange onto the motor shaft with bulge facing outwards (Fig. I).
2. Install the new blade onto the inner flange, ensuring that the blade is mounted into its place securely (Fig. J).
3. Mount the outer flange and the nut onto the shaft, and pre-tighten the nut **COUNTERCLOCKWISE** by hand.
4. Follow the above step 4 & 5 in “Removing the blade” to stabilize the blade to securely tighten the nut in **COUNTERCLOCKWISE**.
5. Insert a new cotter pin supplied into the hole in the motor shaft. Bent the two feet of the pin in opposite directions with a needle nose pliers (not included) (Fig. G).

## REPLACING THE GUIDE WHEEL

1. Stop the motor and remove the battery pack.
2. Lay the edger on its back so that the guide wheel is facing upwards.
3. Loosen the depth-adjusting knob in the direction of the unlocking arrow marked on the knob and removing it.
4. Remove the spring washer, plain washer 1, guide wheel, bushing and plain washer 2 from the screw pole (Fig. K). Check and replace them if they are worn.
5. Mount the screw pole through the depth-adjusting guide bar first, and then mount the plain washer 2, bushing and new wheel, then mount the plain washer 1, spring washer and depth-adjusting knob onto the screw pole in the sequence shown in Fig. K.

Fig. K parts description see below:

K-1	Depth Adjusting Knob	K-5	Bushing
K-2	Spring Washer	K-6	Plain Washer 2
K-3	Plain Washer 1	K-7	Screw Pole
K-4	Guide Wheel	K-8	Depth Adjusting Guide Bar

**NOTICE:** The guide wheel should be mounted with its flat ribs facing inwards (Fig. L).

Fig. L parts description see below:

L-1	Screws	L-3	Debris Flap
L-2	Flat Rib	L-4	Fixing Board

6. Lock the depth-adjusting knob.

## REPLACING THE DEBRIS FLAP (Fig. L)

1. Stop the motor and remove the battery pack.
2. Use the hex wrench provided to loosen the two screws.
3. Remove the screws, fixing board and worn debris flap.
4. Replace with a new debris flap and lock it with the fixing board and the two screws.

## CHECKING AND REPLACING THE ANTI-WEAR PROTECTIVE GUARD/GUIDE PLATE (Fig. M)

Check the anti-wear protective guard and the guide plate for damage before starting the power tool. The anti-wear protective guard must be replaced as soon as the gear case becomes visible.

**NOTICE:** The gear case may be seriously damaged if you do not replace the anti-wear protective guard as soon as the gear case is visible.

1. Stop the motor and remove the battery pack.
2. Wear protective gloves. Rotate the blade as necessary to expose the two screws.
3. Use the hex wrench provided to loosen the two screws and remove them.

**NOTICE:** If you just need to replace the guide plate, loosen and remove just the screw 1.

4. Replace the deformed or worn anti-wear protective guard/guide plate.
5. Assemble the new anti-wear protective guard and guide plate onto the gear case and lock them with the two screws.

Fig. M parts description see below:

M-1	Screw 1	M-4	Anti-wear Protective Guard
M-2	Guide Plate	M-5	Mounting Holes
M-3	Screw 2	M-6	Gear Case

## REMOVING THE GUIDE PLATE

If you are experienced with this type of edger, or if you find that the guide plate is a hindrance in your edging operation, you may remove the guide plate.

1. Loosen and remove screw 1.
2. Remove the guide plate.
3. Replace and tighten screw 1.

## TRANSMISSION GEARS LUBRICATION

The transmission gears in the gear case need be lubricated periodically with gear grease. Check the gear case grease level about every 50 hours of operation by removing the sealing screw on the side of the case.

If no grease can be seen on the sides of the gear, follow the steps below to fill with gear grease up to 3/4 capacity.

Do not completely fill the transmission gears.

1. Position the edger upright so that the sealing screw is facing upwards (Fig. N).
2. Use the multi-functional wrench provided to loosen and remove the sealing screw. Use a grease syringe (not included) to inject some grease into the screw hole; do not exceed 3/4 capacity.
3. Tighten the sealing screw after injection.

## STORING THE UNIT

- Remove the battery pack from the edger
- Clean the tool thoroughly before storing it.
- If the edger attachment is removed from the power head and stored separately, fit the end cap on the attachment shaft to avoid dirt getting into the coupler.

- Store the unit in a dry, well-ventilated area, locked-up or up high, out of the reach of children. Do not store the unit on or adjacent to fertilizers, gasoline, or other chemicals.

### Protecting the environment



Do not dispose of electrical equipment, battery charger and batteries/rechargeable batteries into household waste!

According to the European law 2012/19/EU, electrical and electronic equipment that is no longer usable, and according to the European law 2006/66/EC, defective or used battery packs/batteries, must be collected separately.

If electrical appliances are disposed of in landfills or dumps, hazardous substances can leak into the groundwater and get into the food chain, damaging your health and well-being.

## EC DECLARATION OF CONFORMITY



We, EGO EUROPE GMBH

Wahlwiesenstrasse 1, D-71711 Steinheim an der Murr  
Deutschland

Declare that the product **56V lithium-ion cordless edger attachment EA0800**, equipped with power head PH1400E

Complies with the essential health and safety requirements of the following Directives:

2006/42/EC, 2014/30/EU, 2011/65/EU, 2000/14/EC

Standards and technical specifications referred to:

EN 60745-1, ISO 11789-1, EN 55014-1, EN 55014-2

Measured Sound Power Level: 92.4 dB(A),

Guaranteed Sound Power Level: 95 dB(A)

Peter Melrose  
Managing Director of  
EGO Europe GmbH

Dong Jianxun  
Quality Manager of  
Chervon

\* (Authorized representative for CHERVON and responsible for technical documentation)

01/12/2016



## EN TROUBLE SHOOTING

PROBLEM	CAUSE	SOLUTION
Motor fails to start.	<ul style="list-style-type: none"><li>■ The battery pack is not attached to the power head.</li><li>■ No electrical contact between the power head and the battery pack.</li><li>■ The battery pack is depleted.</li><li>■ The lock-off button and trigger are not depressed simultaneously.</li></ul>	<ul style="list-style-type: none"><li>■ Attach the battery pack to the power head.</li><li>■ Remove the battery, check contacts and reinstall the battery pack until it snaps into place.</li><li>■ Charge the battery pack with EGO chargers listed in this manual.</li><li>■ Press down the lock-off button and hold it, then depress the trigger to turn on the power head.</li></ul>
Power head stops during operation.	<ul style="list-style-type: none"><li>■ The motor is overloaded.</li><li>■ The battery pack or the power head is too hot.</li><li>■ The battery pack is disconnected from the tool.</li><li>■ The battery pack is depleted.</li></ul>	<ul style="list-style-type: none"><li>■ The motor will recover when the load is removed. For continuous working, decrease the load of the power head.</li><li>■ Allow the battery pack or power head to cool until the temperature drops below 152°F (67°C).</li><li>■ Re-install the battery pack.</li><li>■ Charge the battery pack with EGO chargers listed in this manual.</li></ul>
Uneven edge	<ul style="list-style-type: none"><li>■ Grass or soil edged is too wet.</li><li>■ Blade guard is clogged.</li></ul>	<ul style="list-style-type: none"><li>■ Avoid edging in wet soil or wet grass.</li><li>■ Stop the motor, remove the battery pack, and remove debris from the blade guard.</li></ul>

## WARRANTY

### EGO WARRANTY POLICY

Please visit the website [egopowerplus.com](http://egopowerplus.com) for full terms and conditions of the EGO Warranty policy.

## LESEN SIE ALLE ANWEISUNGEN!



### LESEN SIE DIE BETRIEBSANLEITUNG

**⚠ Restrisiko!** Menschen mit elektronischen Geräten, wie z.B. Herzschrittmachern, sollten ihren Arzt konsultieren, bevor sie dieses Gerät verwenden. Die Bedienung von Elektrogeräten in unmittelbarer Nähe zu Herzschrittmachern kann zu Interferenzen und Störungen des Schrittmachers führen.

**⚠ WARNUNG:** Um die Sicherheit und Zuverlässigkeit zu gewährleisten, sollten alle Reparaturen und der Austausch von Teilen nur von qualifizierten Servicetechnikern durchgeführt werden.

## SICHERHEITSSYMBOL

Der Zweck von Warnsymbolen besteht darin, Ihre Aufmerksamkeit auf mögliche Gefahren zu lenken. Die Warnsymbole und deren Erklärungen verdienen Ihre vollste Aufmerksamkeit und Beachtung. Durch die Warnsymbole allein sind die Gefahren noch nicht ausgeschaltet. Die Anweisungen und Warnhinweise stellen keinen Ersatz für angemessene Unfallverhütungsmaßnahmen dar.

**⚠ WARNUNG:** Achten Sie darauf, dass Sie, bevor Sie das Gerät benutzen, alle Sicherheitsanweisungen dieser Bedienungsanleitung gelesen und verstanden haben, einschließlich aller Gefahrenzeichen wie „**VORSICHT**“, „**WARNUNG**“ und „**ACHTUNG**“. Die Nichtbeachtung der unten angeführten Anweisungen kann zu Stromschlägen, Feuer und/oder schweren Personenschäden führen.

### SYMBOLBEDEUTUNG

**⚠ SYMBOL FÜR SICHERHEITSWARNUNGEN:** Weist auf **GEFAHR**, eine **WARNUNG** oder **VORSICHT** hin. Kann zusammen mit anderen Symbolen oder Bildern verwendet werden.

**⚠ WARNUNG:** Die Bedienung von Elektrogeräten kann dazu führen, dass Fremdkörper in Ihre Augen geschleudert werden und Sie dadurch schwerwiegende Augenschäden davontragen. Tragen Sie immer eine Schutzbrille, wenn möglich mit Seitenschutz, oder, falls nötig, einen vollen Gesichtsschutz, bevor Sie Arbeiten mit dem Elektrowerkzeug verrichten. Wir empfehlen Ihnen, einen Gesichtsschutz über Ihrer eigenen Brille oder eine herkömmliche Schutzbrille mit Seitenschutz zu tragen.

## SICHERHEITSHINWEISE

Diese Seite zeigt und beschreibt die Sicherheitssymbole, die auf diesem Produkt erscheinen können. Lesen, verstehen und befolgen Sie die Anleitungen auf der Maschine, bevor Sie versuchen, die Maschine zusammenzubauen oder zu bedienen.

DE

	Sicherheitswarnung	Weist auf mögliche Verletzungsgefahr hin.
	Lesen Sie die Bedienungsanleitung	Um das Verletzungsrisiko zu verringern, muss der Benutzer die Bedienungsanleitung vor der Benutzung des Gerätes gelesen und verstanden haben.
	Tragen Sie Gehör- und Augenschutz	Tragen Sie immer eine Schutzbrille, möglichst mit Seitenschutz, und einen Gesichtsschutz, wenn Sie das Gerät bedienen.
	Sicherheitsabstand einhalten	Stellen Sie sicher, dass andere Personen und Haustiere Abstand vom Kantenschneider halten, wenn er in Betrieb ist.
	Drehrichtung des Kantenschneidermessers	Gibt die Drehrichtung des Kantenschneidermessers an.
	Weggeschleuderte Objekte	Untersuchen Sie gründlich die Fläche, auf der Sie das Gerät einsetzen möchten, und entfernen Sie alle Steine, Stöcke, Drähte, Knochen und andere Fremdkörper.
	Drehendes Messer	Reichen Sie mit den Händen oder Füßen nicht in die Nähe oder unter die rotierenden Teile.
	Vor Regen schützen	Nicht im Regen verwenden oder bei Regen im Freien liegen lassen.
	CE	Dieses Produkt erfüllt die anwendbaren EG-Richtlinien.
	WEEE	Elektro- und Elektronik-Altgeräte dürfen nicht im Hausmüll entsorgt werden. Bringen Sie das Gerät zu einem zugelassenen Recyclinghof.

	Geräusch	Garantierter Schalleistungspegel. Geräuschemission an die Umgebung gemäß Richtlinie der Europäischen Gemeinschaft.
V	Volt	Spannung
mm	Millimeter	Länge oder Größe
cm	Zentimeter	Länge oder Größe
kg	Kilogramm	Gewicht
	Gleichstrom	Art oder Eigenschaft der Stromzufuhr

### WICHTIGE SICHERHEITSHINWEISE

**⚠️ WARNUNG:** Beim Gebrauch von elektrischen Schneidegeräten sollten stets grundlegende Sicherheitsvorkehrungen beachtet werden, um das Risiko eines Brandes, Stromschlags und von Verletzungen zu reduzieren, darunter die folgenden:

### AUFMERKSAM VOR DEM GEBRAUCH LESEN ZUM

### NACHSCHLAGEN AUFBEWAHREN

**⚠️ VORSICHT:** Verlassen Sie sich nicht auf die Isolierung des Werkzeugs gegen Stromschlag. Zur Vermeidung des Stromschlagrisikos darf das Gerät nicht in unmittelbarer Nähe von Leitungen oder Kabeln (Strom etc.) eingesetzt werden, die Strom führen.

**⚠️ VORSICHT:** Tragen Sie während des Gebrauchs einen angemessenen Gehörschutz. Unter bestimmten Bedingungen und bei längerem Gebrauch kann der Lärm, den dieses Gerät erzeugt, zum Hörverlust beitragen.

### Schulung

- Lesen Sie die Anweisungen aufmerksam. Machen Sie sich mit den Bedienelementen und der richtigen Handhabung des Gerätes vertraut.
- Lassen sie niemals Personen, die mit diesen Anleitungen nicht vertraut sind, oder Kinder das Gerät benutzen. Örtliche Bestimmungen können das Alter des Benutzers einschränken.
- Betreiben Sie den Kantenschneider niemals, solange sich noch Personen, insbesondere Kinder oder Haustiere; in der Nähe aufhalten.
- Lassen sie niemals Personen, die mit diesen Anleitungen nicht vertraut sind, oder Kinder das Gerät benutzen. Örtliche Bestimmungen können das Alter des Benutzers einschränken.

### Vorbereitung

- Tragen Sie beim Kantenschneiden immer Augen- und Gehörschutz, feste Schuhe und eine lange Hose.
- Untersuchen Sie gründlich die Fläche, auf der Sie das Gerät einsetzen möchten, und entfernen Sie alle Steine, Stöcke, Drähte, Knochen und andere Fremdkörper.
- Führen Sie vor der Benutzung immer eine Sichtprüfung durch, um sicherzustellen, dass die Messer, die Messerschraube und die Schneidvorrichtung nicht abgenutzt oder beschädigt sind. Tauschen Sie abgenutzte oder beschädigte Messer und Schrauben immer komplett im Satz aus, um die Auswuchtung beizubehalten.

### Bedienung

- Verwenden Sie den Kantenschneider nur bei Tageslicht oder gutem künstlichem Licht.
- Achten Sie an Hängen immer auf einen festen Stand.
- Nur gehen, niemals rennen.
- Seien Sie besonders vorsichtig, wenn Sie rückwärts schneiden oder den Kantenschneider zu sich heranziehen.
- Vergewissern Sie sich, dass sich das Messer nicht mehr dreht, bevor Sie Flächen ohne Gras überqueren und wenn Sie den Kantenschneider hin- und hertragen.
- Betreiben Sie den Kantenschneider auf keinen Fall mit defekten, fehlenden oder falsch montierten Schutzabdeckungen.
- Ändern Sie die Drehzahleinstellungen des Motors nicht und überdrehen Sie den Motor nicht.
- Starten Sie den Motor vorsichtig gemäß den Anweisungen und halten Sie Ihre Füße von den Messern fern.
- Starten Sie den Motor nicht, wenn Zuschauer vor den Messern stehen.
- Reichen Sie mit den Händen oder Füßen nicht in die Nähe oder unter die rotierenden Teile.
- In nachstehenden Fällen immer den Motor ausschalten und den Akku abnehmen:
  - 1) Vor dem Säubern von Verstopfungen.
  - 2) Vor der Überprüfung, Reinigung oder Arbeit an den Messern.
  - 3) Nach Kontakt mit einem Fremdkörper: Überprüfen Sie die Messer auf Schäden und nehmen Sie eventuell erforderliche Reparaturen vor, bevor Sie den Kantenschneider erneut in Betrieb nehmen.
  - 4) Wenn der Kantenschneider ungewöhnlich stark zu vibrieren beginnt (sofort überprüfen).

- Schalten Sie den Motor aus, wenn Sie den Kantenschneider nicht verwenden.
- Laden Sie den Akkusatz nicht im Regen oder an nassen Orten auf.
- Verwenden Sie nur die Akkusätze und Ladegeräte, die hier aufgelistet sind.

AKKU	LADEGERÄT
BA1120E, BA2240E, BA2800, BA3360, BA4200	CH2100E CH5500E

- Der Akkusatz muss aus dem Gerät entfernt werden, wenn es ausgerangiert wird.
- Der Akku muss sicher entsorgt werden.
- Werfen Sie den Akku nicht ins Feuer. Die Zellen können explodieren. Ziehen Sie die örtlichen Vorschriften zurate, um mehr über mögliche Sondervorschriften der Entsorgung zu erfahren.
- Öffnen oder zerstören Sie den Akku nicht. Auslaufender Elektrolyt ist ätzend und kann die Augen oder Haut schädigen. Es kann bei Verschlucken giftig sein.
- Lassen Sie beim Umgang mit dem Akku Vorsicht walten, um den Akku nicht mit leitenden Materialien wie Ringen, Armbändern und Schlüsseln kurzzuschließen. Der Akku oder der Leiter können sich überhitzen und Verbrennungen verursachen.
- Akkuwerkzeuge müssen nicht mit einer Steckdose verbunden werden; daher sind sie stets einsatzbereit. Seien Sie sich möglicher Gefahren bewusst, selbst wenn das Werkzeug nicht eingeschaltet ist. Lassen Sie bei Wartungsarbeiten oder Reparaturen Vorsicht walten.
- Waschen Sie das Gerät nicht mit dem Wasserschlauch; lassen Sie kein Wasser in den Motor und die elektrischen Verbindungen gelangen.

### Wartung und Lagerung

- Achten Sie darauf, dass alle Schrauben, Muttern und Bolzen des Geräts gut festgezogen sind, um sichere Arbeitsvoraussetzungen zu gewährleisten.
- Ersetzen Sie abgenutzte oder beschädigte Teile.
- Versuchen Sie nicht, das Gerät zu reparieren, es sei denn, dass Sie entsprechend qualifiziert sind.
- Verwenden Sie nur vom Hersteller empfohlene Ersatz- und Zubehörteile.
- Nehmen Sie vor Wartungs- oder Reinigungsarbeiten den Akku vom Gerät ab.
- Prüfen und warten Sie das Gerät regelmäßig. Lassen Sie das Gerät nur von einer autorisierten Servicewerkstatt reparieren.

- Wenn das Gerät nicht benutzt wird, lagern Sie es außer Reichweite von Kindern.
- Falls Situationen auftreten, die nicht in dieser Bedienungsanleitung behandelt werden, gehen Sie vorsichtig und vernünftig vor. Reparaturanfragen richten Sie bitte an das EGO-Servicezentrum.
- Heben Sie diese Anleitung auf. Schlagen Sie gegebenenfalls darin nach und verwenden Sie sie, um Andere in die Verwendung des Geräts einzuweisen. Falls Sie dieses Werkzeug an Andere verleihen, händigen Sie ihnen auch diese Anleitung aus, um einem Missbrauch des Geräts und möglichen Verletzungen vorzubeugen.

### HEBEN SIE DIESE ANLEITUNG AUF!

**ANMERKUNG: WEITERE SPEZIFISCHE SICHERHEITSHINWEISE FINDEN SIE IN DER BETRIEBSANLEITUNG IHRES KOMBIMOTORS.**

### TECHNISCHE DATEN

Messeriänge	20 cm	
Schnitttiefe	Bis zu 75 mm	
Gewicht	2,26 kg	
Gemessener Schallleistungspegel $L_{WA}$	92,4 dB(A) K=2,07 dB(A)	
Schalldruckpegel am Ohr des Bedieners $L_{PA}$	79,8 dB(A) K=3 dB(A)	
Garantierter Schallleistungspegel $L_{WA}$ (nach 2000/14/EG gemessen)	95 dB(A)	
Vibration $a_h$	Vorderer Haltegriff	1,2 m/s <sup>2</sup> K=1,5 m/s <sup>2</sup>
	Hinterer Griff	2,2 m/s <sup>2</sup> K=1,5 m/s <sup>2</sup>

- Oben genannte Parameter wurden mit dem Kombimotor PH1400E getestet und gemessen;
- Der angegebene Schwingungs-Gesamtwert wurde in Übereinstimmung mit einer Standard-Testmethode gemessen und kann verwendet werden, um Werkzeuge miteinander zu vergleichen.
- Der angegebene Schwingungs-Gesamtwert kann auch als einleitende Feststellung der Belastung verwendet werden.

**HINWEIS:** Die beim Einsatz des Elektrowerkzeugs entstehenden Istvibrationen können von dem angegebenen Wert abweichen. Zum Schutz des Benutzers sollten Handschuhe und ein Gehörschutz während des Geräteinsatzes getragen werden.

## PACKLISTE

TEILEBEZEICHNUNG	MENGE
Kantenschneider-Anbauwerkzeug	1
Inbusschlüssel	1
Multifunktionsschlüssel	1
Splint	2
Bedienungsanleitung	1

### Empfohlenes Messer

BEZEICHNUNG DES TEILS	MODELLNUMMER
Kantenschneidermesser	AEB0800

## BESCHREIBUNG

### LERNEN SIE IHR KANTENSCHNEIDER-ANBAUWERKZEUG KENNEN (Abb. A)

1. Schutzkappe
2. Kantenschneiderschaft
3. Messerschutz
4. Messer
5. Rändelmutter des Führungsrad
6. Führungsrad
7. Inbusschlüssel
8. Multifunktionsschlüssel
9. Tiefeneinstellungsschiene
10. Grasabweiser
11. Splint
12. Arretierungsschraube für Führungsplatte
13. Führungsplatte

## MONTAGE

**⚠️ WARNUNG:** Wenn Teile beschädigt sind oder fehlen, darf das Gerät erst in Betrieb genommen werden, wenn alle Teile vollständig angebracht sind. Die Verwendung des Geräts mit beschädigten oder fehlenden Teilen kann zu schweren Verletzungen führen.

**⚠️ WARNUNG:** Versuchen Sie nicht, dieses Produkt zu verändern oder Zubehörteile zu verwenden, die für den Einsatz des Rasentrimmers nicht empfohlen werden. Derartige Änderungen oder Umbauten stellen eine Zweckentfremdung dar und können gefährliche Arbeitsbedingungen hervorrufen, bei denen eine schwere Verletzungsgefahr besteht.

**⚠️ WARNUNG:** Verstellen Sie den Messerschutz nicht. Der Messerschutz ist werkseitig so eingestellt, dass der Pfeil auf dem Messerschutz und die offene Seite vom Bediener wegzeigen. Dadurch wird gewährleistet, dass Schnittgut und Fremdkörper vom Werkzeug und vom Bediener weggerichtet werden.

### INSTALLATION DES KANTENSCHNEIDERS AM KOMBIMOTOR

Dieses Kantenschneider-Anbauwerkzeug ist zur Verwendung mit dem EGO Kombimotor PH1400E mit 56V Lithium-Ionen-Akku bestimmt.

Siehe Abschnitt „INSTALLATION EINES ANBAUWERKZEUGS AN DEN KOMBIMOTOR“ in der Betriebsanleitung des Kombimotors PH1400E.

## BEDIENUNG

**⚠️ WARNUNG:** Vermeiden Sie es, dass die Vertrautheit mit dem Produkt zu Nachlässigkeit führt. Denken Sie daran, dass ein kurzer Moment der Unachtsamkeit zu ernsthaften Verletzungen führen kann.

**⚠️ WARNUNG:** Tragen Sie immer einen Augenschutz mit Seitenschutz sowie einen Hörschutz. Wenn Sie das unterlassen, kann es dazu kommen, dass Objekte in Ihre Augen geschleudert werden oder dass Ihnen andere mögliche ernsthafte Verletzungen zugefügt werden.

### ANWENDUNGEN

Sie können dieses Produkt für den unten aufgeführten Zweck einsetzen:

- Kantenschneiden rund um Gehwege, Randsteine, Blumenbeete und andere ähnliche Bereiche.

**HINWEIS:** Das Gerät darf nur für seinen vorgeschriebenen Zweck verwendet werden. Jede andere Verwendung gilt als Missbrauch.

### Prüfen Sie vor jedem Gebrauch auf Schäden/abgenutzte Teile

Prüfen Sie den Mutter, die Schutzabdeckung und den vorderen Haltegriff und ersetzen Sie die Teile, die in irgendeiner Weise gesprungen, verzogen, verbogen oder beschädigt sind.

**⚠️ WARNUNG:** Um schwere Verletzungen zu verhindern, nehmen Sie den Akku vom Motor ab, bevor Sie das Gerät warten, reinigen, Anbauwerkzeuge auswechseln oder Schnittgut aus dem Gerät entfernen.



## VERWENDUNG DES KANTENSCHNEIDERS MIT DEM KOMBIMOTOR

**⚠️ WARNUNG:** Tragen Sie geeignete Kleidung, um das Verletzungsrisiko bei der Benutzung dieses Geräts zu reduzieren. Tragen Sie keine weite Kleidung oder Schmuck. Tragen Sie einen Augen- und Gehörschutz. Tragen Sie eine robuste lange Hose, Stiefel und Handschuhe. Tragen Sie keine kurze Hose oder Sandalen und gehen Sie nicht barfuß. Tragen Sie eine Gesichts- oder Staubschutzmaske in staubigen Bereichen.

**⚠️ WARNUNG:** Entfernen Sie alle Hindernisse oder festen Gegenstände aus dem Arbeitsbereich.

Legen Sie zum sicheren und einfacheren Arbeiten den Schultergurt an. Stellen Sie den Schultergurt so ein, dass die Arbeitsposition bequem ist.

Halten Sie den Kantenschneider mit Ihrer rechten Hand am hinteren Griff und Ihrer linken Hand am vorderen Haltegriff. Halten Sie das Werkzeug beim Betrieb mit beiden Händen gut fest. Der Kantenschneider ist in einer bequemen Position zu halten, der hintere Griff befindet sich dabei etwa in Hüfthöhe (Abb. B).

**⚠️ WARNUNG:** Nehmen Sie den Schultergurt in Gefahrensituationen oder Notfällen unverzüglich von der Schulter.

### Reinigen Sie den Kantenschneider nach jedem Gebrauch.

Siehe dazu die Reinigungsanweisungen im Abschnitt WARTUNG.

### EINSTELLUNG DER SCHNITTIEFE

1. Schalten Sie den Motor aus und nehmen Sie den Akku ab.
2. Lockern Sie die Rändelmutter des Führungsrad in Richtung des auf der Mutter abgebildeten Entriegelungspfeils (Abb. C).
3. Verschieben Sie das Führungsrad entlang der Tiefeneinstellungsschiene nach oben zum Vergrößern der Schnitttiefe oder nach unten zum Verringern der Tiefe (Abb. D).
4. Stellen Sie das Führungsrad so ein, dass das Messer den Boden gerade berührt bzw. nicht tiefer als 5 mm in den Boden eindringt (Abb. E) und ziehen Sie es dann sicher fest.
5. Überprüfen Sie die Schnitttiefe noch einmal in der normalen Arbeitsposition und korrigieren Sie diese gegebenenfalls.

### START/STOPP DES WERKZEUGS

Siehe Abschnitt „START/STOPP DES KOMBIMOTORS“ in der Betriebsanleitung des Kombimotors PH1400E.

## BEDIENHINWEISE

- Halten und führen Sie den Kombimotor so, dass das Messer senkrecht steht. Verwenden Sie die Markierungslinie, um das Messer auf die Kante des Beetes auszurichten (Abb. F).
- Arbeiten Sie nicht schneller als mit Schrittgeschwindigkeit. Falls das Messer steckenbleibt, schneiden Sie zu schnell. Gehen Sie in diesem Fall langsamer.
- Gehen Sie beim Schneiden immer vorwärts und bewegen Sie den Kantenschneider nach vorne. Ziehen Sie den Kantenschneider nicht zu sich heran.
- Drücken Sie das Messer nicht gewaltsam in den Boden. Eine leichte Berührung der Gehsteigkante, des Randsteins usw. mit dem Messer ist zulässig. Der Kantenschneider wird dadurch nicht beschädigt.
- Die besten Ergebnisse werden bei trockenem Gras erzielt. Vermeiden Sie Arbeiten in Bereichen mit feuchtem Boden oder feuchtem Gras, da der Messerschutz verstopfen kann oder die Kante ungleichmäßig geschnitten wird. Falls der Messerschutz verstopft ist, schalten Sie den Motor aus, nehmen Sie den Akku ab und entfernen Sie Gras- und Schmutzansammlungen vom Messerschutz.

## WARTUNG

**⚠️ WARNUNG:** Vor Überprüfung, Reinigung oder Reparatur des Geräts den Motor ausschalten, warten, bis alle beweglichen Teile zum Stillstand gekommen sind, und Akku abnehmen. Bei Nichtbeachtung dieser Anweisungen kann es zu schweren Verletzungen oder Sachschäden kommen.

**⚠️ WARNUNG:** Verwenden Sie für die Wartung nur identische Ersatzteile. Prüfen und warten Sie das Gerät regelmäßig. Um die Sicherheit und Zuverlässigkeit zu gewährleisten, sollten alle Reparaturen nur von qualifizierten Servicetechnikern durchgeführt werden.

### ALLGEMEINE WARTUNG

Verwenden Sie keine Lösungsmittel zum Reinigen von Kunststoffteilen. Die meisten Kunststoffe reagieren empfindlich auf die verschiedenen Arten von handelsüblichen Lösungsmitteln und können durch deren Benutzung beschädigt werden. Verwenden Sie saubere Lappen zum Entfernen von Schmutz, Staub, Öl, Fett usw.

## REINIGEN DES GERÄTES

- Reinigen Sie nach jedem Gebrauch das Messer und den Messerschutzhülse mit einer weichen Bürste von Erd- und Grasresten. Wischen Sie die Oberfläche des Kantenschneiders mit einem sauberen Tuch ab, das Sie mit einer milden Seifenlösung anfeuchten.
- Reinigen Sie die Lüftungsschlitze am Motorgehäuse mit einer kleinen Bürste oder dem Luftstrom eines kleinen Staubsaugers.

**HINWEIS:** Benutzen Sie keine starken Reiniger am Kunststoffgehäuse oder am Griff. Die Teile können von ätherischen Ölen wie z. B. Kiefern- oder Zitronenöl angegriffen werden.

## MESSERWECHSEL

**⚠️ WARNUNG:** Versuchen Sie nicht, ein verbogenes oder geknicktes Messer geradezurichten oder zu schweißen, da es dabei brechen kann. Es muss ausgetauscht werden. Das Messer darf nur durch ein EGO-Kantenschneidermesser ersetzt werden. Siehe Abschnitt „Empfohlenes Messer“.

**HINWEIS:** Ersetzen Sie das Messer, falls es nicht mehr lang genug ist, um den Boden richtig auszuschneiden und die erforderliche Schnitttiefe zu erzielen.

**⚠️ WARNUNG:** Schützen Sie stets Ihre Hände, indem Sie Handschuhe tragen oder das Messer mit Lumpen oder anderen Materialien umwickeln, wenn Sie Wartungsarbeiten am Kantenschneidermesser durchführen.

## Ausbau des Messers

1. Schalten Sie den Motor aus und nehmen Sie den Akku ab.
2. Legen Sie den Kantenschneider auf die Rückseite, so dass das Messer nach oben zeigt.
3. Tragen Sie Schutzhandschuhe. Ziehen Sie mit einer Spitzzange (nicht enthalten) den Splint von der Antriebswelle ab (Abb. G).
4. Drehen Sie das Messer so, dass die Aussparung im Flansch mit der Bohrung im Getriebegehäuse übereinstimmt (Abb. G).

Teilebezeichnung der Abb. G:

G-1	Splint
G-2	Innenflansch
G-3	Getriebegehäuse

5. Stecken Sie den im Lieferumfang enthaltenen Inbusschlüssel in die aufeinander ausgerichteten Bohrungen, um die Drehung des Messers zu blockieren. Schrauben Sie die Mutter mit dem im Lieferumfang enthaltenen Multifunktionsschlüssel **IM UHRZEIGERSINN** ab (Abb. H).
6. Nehmen Sie die Mutter, den Außenflansch, das Messer und den Innenflansch von der Antriebswelle ab (Abb. I). Überprüfen Sie die Teile und tauschen Sie sie bei Abnutzung aus.

Teilebezeichnung der Abb. I:

I-1	Antriebswelle	I-5	Messer
I-2	Innenflansch	I-6	Messerwölbung
I-3	Aussparung im Innenflansch	I-7	Mutter
I-4	Ausbuchtung auf dem Innenflansch	I-8	Splint

## Installation des Messers

1. Stecken Sie den Innenflansch mit der Ausbuchtung nach außen auf die Antriebswelle (Abb. I).
2. Setzen Sie das neue Messer auf den Innenflansch und vergewissern Sie sich, dass es fest auf dem Flansch sitzt (Abb. J).
3. Montieren Sie den Außenflansch und die Mutter auf die Welle und ziehen Sie die Mutter mit der Hand **GEGEN DEN UHRZEIGERSINN** fest.
4. Folgen Sie den oben genannten Schritten 4 und 5 im Abschnitt „Ausbau des Messers“, um die Drehung des Messers zu blockieren und die Mutter **GEGEN DEN UHRZEIGERSINN** sicher festzuziehen.
5. Stecken Sie einen neuen, im Lieferumfang enthaltenen Splint in die Bohrung der Antriebswelle. Biegen Sie die beiden Füße des Splints mit einer Spitzzange (nicht enthalten) in gegenüberliegende Richtungen um (Abb. G).

## WECHSEL DES FÜHRUNGSRADES

1. Schalten Sie den Motor aus und nehmen Sie den Akku ab.
2. Legen Sie den Kantenschneider auf die Rückseite, so dass das Führungsrad nach oben zeigt.
3. Lockern Sie die Rändelmutter des Führungsraads in Richtung des auf der Mutter abgebildeten Entriegelungspfeils und nehmen Sie sie ab.
4. Nehmen Sie den Federring, die Beilagscheibe 1, das Führungsrad, die Buchse und die Beilagscheibe 2 von der Schraube ab (Abb. K). Überprüfen Sie die Teile und tauschen Sie sie bei Abnutzung aus.

- Stecken Sie zuerst die Schraube durch die Tiefeneinstellungsschiene und setzen Sie dann die Beilagscheibe 2, die Buchse und das neue Rad, dann die Beilagscheibe 1, den Federring und die Rändelmutter in der in Abb. K gezeigten Reihenfolge auf die Schraube.

Teilebezeichnung der Abb. K:

K-1	Rändelmutter des Führungsrad	K-5	Buchse
K-2	Federring	K-6	Beilagscheibe 2
K-3	Beilagscheibe 1	K-7	Schraube
K-4	Führungsrad	K-8	Tiefeneinstellungsschiene

**HINWEIS:** Das Führungsrad muss mit seinen flachen Rippen nach innen montiert werden (Abb. L).

Teilebezeichnung der Abb. L:

L-1	Schrauben	L-3	Grasabweiser
L-2	Flache Rippe	L-4	Befestigungsplatte

- Drehen Sie die Rändelmutter fest.

#### WECHSEL DES GRASABWEISERS (Abb. L)

- Schalten Sie den Motor aus und nehmen Sie den Akku ab.
- Lockern Sie die beiden Schrauben mit dem im Lieferumfang enthaltenen Inbusschlüssel.
- Nehmen Sie die Schrauben, die Befestigungsplatte und den abgenutzten Grasabweiser ab.
- Ersetzen Sie das Teil durch einen neuen Grasabweiser und befestigen Sie diesen mit der Befestigungsplatte und den beiden Schrauben.

#### PRÜFUNG UND AUSTAUSCH DER VERSCHLEISSSCHUTZABDECKUNG / FÜHRUNGSPLATTE (Abb. M)

Überprüfen Sie vor dem Einschalten des Elektrowerkzeugs die Verschleißschutzabdeckung und die Führungsplatte auf Schäden. Falls das Getriebegehäuse zu sehen ist, muss die Verschleißschutzabdeckung unverzüglich ausgetauscht werden.

**HINWEIS:** Wird die Verschleißschutzabdeckung nicht ausgetauscht, sobald das Getriebegehäuse zu sehen ist, kann das Getriebegehäuse ernsthaft beschädigt werden.

- Schalten Sie den Motor aus und nehmen Sie den Akku ab.
- Tragen Sie Schutzhandschuhe. Drehen Sie das Messer so, dass die beiden Schrauben freiliegen.

- Lockern Sie die beiden Schrauben mit dem im Lieferumfang enthaltenen Inbusschlüssel und nehmen Sie sie ab.

**HINWEIS:** Falls lediglich die Führungsplatte ausgewechselt werden muss, brauchen Sie nur die Schraube 1 zu lockern und abzunehmen.

- Tauschen Sie die verbogene oder abgenutzte Verschleißschutzabdeckung/Führungsplatte aus.

- Setzen Sie die neue Verschleißschutzabdeckung und Führungsplatte auf das Getriebegehäuse und befestigen Sie sie mit den beiden Schrauben.

Teilebezeichnung der Abb. M:

M-1	Schraube 1	M-4	Verschleißschutzabdeckung
M-2	Führungssplatte	M-5	Montagebohrungen
M-3	Schraube 2	M-6	Getriebegehäuse

#### ABNEHMEN DER FÜHRUNGSPLATTE

Wenn Sie mit diesem Kantenschneider Erfahrung haben oder Sie die Führungsplatte beim Kantenschneiden als störend empfinden, können Sie die Führungsplatte abnehmen.

- Lockern Sie die Schraube 1 und nehmen Sie sie ab.
- Nehmen Sie die Führungsplatte ab.
- Setzen Sie die Schraube 1 wieder ein und ziehen Sie sie fest.

#### SCHMIERUNG DES GETRIEBES

Das Getriebe im Getriebegehäuse muss regelmäßig mit Getriebefett geschmiert werden. Entfernen Sie etwa alle 50 Betriebsstunden die Dichtungsschraube auf der Gehäusesseite und überprüfen Sie den Schmiermittelstand im Getriebegehäuse.

Ist auf den Seiten des Getriebes kein Fett zu sehen, füllen Sie das Getriebe gemäß untenstehenden Schritten zu 3/4 mit Getriebefett.

Getriebe nicht vollständig befüllen.

- Stellen Sie den Kantenschneider aufrecht, so dass die Dichtungsschraube nach oben zeigt (Abb. N).
- Lockern Sie die Dichtungsschraube mit dem im Lieferumfang enthaltenen Multifunktionsschlüssel und nehmen Sie sie ab. Befüllen Sie das Gehäuse durch das Schraubenloch mit einer Fettspritze (nicht enthalten) bis zu höchstens 3/4 mit Getriebefett.
- Ziehen Sie die Dichtungsschraube nach dem Fetteinspritzen wieder fest.

## AUFBEWAHREN DES GERÄTES

DE

- Nehmen Sie den Akku vom Kantenschneider ab
- Reinigen Sie das Werkzeug gründlich, bevor Sie es verstauen.
- Falls das Kantenschneider-Anbauwerkzeug vom Kombimotor abgenommen und getrennt gelagert wird, setzen Sie die Schutzkappe auf den Schaft des Anbauwerkzeugs, damit kein Schmutz in die Kupplung gelangt.
- Lagern Sie das Gerät an einem trockenen, gut belüfteten Bereich, der sich abschließen lässt oder hoch gelegen ist, wo es außer Reichweite von Kindern ist. Lagern Sie das Gerät nicht auf oder neben Düngemitteln, Benzin oder Chemikalien.

## Schützen Sie die Umwelt



Entsorgen Sie elektronische Geräte, Ladegeräte und Batterien/Akkus nicht im Hausmüll!

Gemäß der europäischen Rechtsnorm 2012/19/EU müssen elektrische und elektronische Geräte, die nicht mehr benutzt werden, separat gesammelt werden. Dasselbe trifft gemäß der europäischen Rechtsnorm 2006/66/EC auch auf defekte oder verbrauchte Batterien/Akkus zu.

Wenn elektrische Geräte auf Deponien oder Schutthalden entsorgt werden, dann können gefährliche Substanzen ins Grundwasser sickern und in die Nahrungskette übergehen, was Ihre Gesundheit und Ihr Wohlbefinden beeinträchtigen kann.

## EG-KONFORMITÄTserklärung



DIE FIRMA EGO EUROPE GMBH

Wahlwiesenstrasse 1, D-71711 Steinheim an der Murr  
Deutschland

Erklären, dass das Produkt, **Kantenschneider-Anbauwerkzeug mit 56 V Lithium-Ionen-Akku EA0800**, ausgestattet mit dem Kombimotor PH1400E

die einschlägigen Gesundheits- und Sicherheitsanforderungen der nachstehenden Richtlinien erfüllt:

2006/42/EG, 2014/30/EU, 2011/65/EU, 2000/14/EG

Hinweise auf Normen und technische Spezifikationen:

EN 60745-1, ISO 11789-1, EN 55014-1, EN 55014-2

Gemessener Schalleistungspegel: 92,4dB(A),

Gewährleisteter Schalleistungspegel: 95 dB(A)

Peter Melrose  
Geschäftsführer der  
EGO Europe GmbH

Dong Jianxun  
Qualitätsmanager  
Chervon

\* (Verantwortlicher Vertreter von CHERVON und technischer Dokumentationsverantwortlicher)

01/12/2016

## FEHLERBEHEBUNG

DE

PROBLEM	URSACHE	LÖSUNG
Motor startet nicht.	<ul style="list-style-type: none"> <li>■ Der Akku ist nicht am Kombimotor angebracht.</li> <li>■ Kein elektrischer Kontakt zwischen Kombimotor und Akku.</li> <li>■ Der Akku ist leer.</li> <li>■ Der Taste zum Entriegeln und der Auslöser werden nicht gleichzeitig gedrückt.</li> </ul>	<ul style="list-style-type: none"> <li>■ Akku in den Kombimotor einsetzen.</li> <li>■ Akku abnehmen, Kontakte überprüfen und wieder einsetzen, bis er einrastet.</li> <li>■ Akku mit den in dieser Anleitung aufgeführten EGO-Ladegeräten aufladen.</li> <li>■ Drücken Sie die Feststelltaste und halten Sie sie gedrückt. Drücken Sie den Auslöser, um den Kombimotor einzuschalten.</li> </ul>
Kombimotor stoppt während des Betriebs.	<ul style="list-style-type: none"> <li>■ Der Motor ist überlastet.</li> <li>■ Akku oder Kombimotor sind zu heiß.</li> <li>■ Akku ist nicht mit dem Werkzeug verbunden.</li> <li>■ Akku ist leer.</li> </ul>	<ul style="list-style-type: none"> <li>■ Der Motor kommt wieder in Schwung, wenn die Last abgenommen wird. Für durchgehendes Arbeiten die Last des Kombimotors verringern.</li> <li>■ Lassen Sie den Akku und den Kombimotor unter 67° C abkühlen.</li> <li>■ Setzen Sie den Akku wieder ein.</li> <li>■ Akku mit den in dieser Anleitung aufgeführten EGO-Ladegeräten aufladen.</li> </ul>
Ungleichmäßige Kante	<ul style="list-style-type: none"> <li>■ Geschnittenes Gras oder Boden zu nass.</li> <li>■ Messerschutz ist verstopft.</li> </ul>	<ul style="list-style-type: none"> <li>■ Arbeiten in Bereichen mit feuchtem Boden oder feuchtem Gras vermeiden.</li> <li>■ Schalten Sie den Motor aus, nehmen Sie den Akku ab und entfernen Sie Gras- und Schmutzansammlungen vom Messerschutz.</li> </ul>

## GARANTIE

### EGO GEWÄHRLEISTUNGSRICHTLINIE

Bitte besuchen Sie unsere website [egopowerplus.com](http://egopowerplus.com) mit den kompletten EGO Garantiebedingungen.

## LISEZ TOUTES LES INSTRUCTIONS!



**LISEZ LE MANUEL D'UTILISATION**

FR

**⚠ Risques résiduels !** Les personnes portant des appareils électroniques, par exemple des stimulateurs cardiaques, doivent consulter leur(s) médecin(s) avant d'utiliser ce produit. L'utilisation d'un équipement électrique près d'un stimulateur cardiaque peut provoquer des interférences ou la panne du stimulateur cardiaque.

**⚠ AVERTISSEMENT :** Pour garantir la sécurité et la fiabilité, toutes les réparations et tous les changements de pièce doivent être effectués par un réparateur qualifié.

## SYMBOLES DE SÉCURITÉ

L'objectif des symboles de sécurité est d'attirer votre attention sur des dangers potentiels. Les symboles de sécurité et les explications les accompagnant doivent être lus avec attention et compris. Les symboles de mise en garde ne permettent pas par eux-mêmes d'éliminer les dangers. Les consignes et mises en garde ne se substituent pas à des mesures de prévention appropriées des accidents.

**⚠ AVERTISSEMENT :** Avant d'utiliser cet outil, veuillez à lire et à comprendre toutes les consignes de sécurité du guide d'utilisation, notamment tous les symboles d'alerte de sécurité comme « **DANGER** », « **AVERTISSEMENT** » et « **MISE EN GARDE** ». Ne pas respecter toutes les consignes listées ci-après peut provoquer un choc électrique, un incendie et/ou des blessures corporelles graves.

## SIGNIFICATION DES SYMBOLES

**⚠ SYMBOLE DE MISE EN GARDE DE SÉCURITÉ :** Indique un **DANGER**, un **AVERTISSEMENT** ou une **PRÉCAUTION**. Peut être utilisé en conjonction d'autres symboles ou pictogrammes.

**⚠ AVERTISSEMENT :** L'utilisation d'un outil électrique peut provoquer la projection d'objets étrangers dans vos yeux, ce qui peut provoquer des lésions oculaires graves. Avant de mettre un outil électrique en marche, portez toujours un masque de sécurité ou des lunettes de sécurité avec boucliers latéraux, ou un masque facial intégral quand cela est nécessaire. Nous vous recommandons de porter un Masque de Sécurité à Vision Panoramique par-dessus des lunettes de vue ou des lunettes de sécurité standards avec boucliers latéraux.

## CONSIGNES DE SÉCURITÉ

Cette page décrit des symboles de sécurité pouvant être présents sur le produit. Lisez, comprenez et respectez toutes les instructions présentes sur l'outil avant d'essayer de l'assembler et de l'utiliser.

	Alerte de sécurité	Indique un danger potentiel de blessure corporelle.
	Lire le manuel d'utilisation	Pour réduire le risque de blessures, l'utilisateur doit lire et comprendre le manuel d'utilisation avant d'utiliser ce produit.
	Portez une protection pour les yeux et les oreilles	Toujours porter un masque de sécurité ou des lunettes de sécurité avec boucliers latéraux et un masque facial intégral lors de l'utilisation de ce produit.
	Tenez les passants à distance sûre.	Veillez à ce que les autres personnes et les animaux restent à une certaine distance du coupe-bordures lorsqu'il est en marche.
	Direction de la rotation de la lame du coupe-bordures	Indique la direction de la rotation de la lame du coupe-bordures.
	Objets projetés	Inspectez minutieusement la surface où l'équipement doit être utilisé et retirez-en toutes les pierres, tous les bâtons, câbles, os et autres objets étrangers.
	Lame de coupe rotative	Ne placez jamais vos mains ni vos pieds près ou sous les parties rotatives.
	Ne pas exposer à la pluie	Construction à double isolation.
	CE	Ce produit est conforme aux directives CE applicables.

	WEEE	Les déchets de produits électriques ne doit pas être jetés avec les ordures ménagères. Jetez-les dans un dans un centre de triage agréé.
	Bruit	Niveau de puissance acoustique garanti. Émission sonore dans l'environnement conforme à la directive de la communauté européenne.
V	Voit	Tension
mm	Millimètre	Longueur ou taille
cm	Centimètre	Longueur ou taille
kg	Kilogramme	Poids
	Courant continu	Type ou caractéristique du courant

- N'utilisez jamais le coupe-bordures si des personnes, notamment des enfants, ou des animaux de compagnies sont à proximité.
- Gardez à l'esprit que l'utilisateur ou l'opérateur est responsable des accidents ou dangers causés à autrui ou à la propriété d'autrui.

### Préparation

- Pendant la coupe, portez toujours des protections pour les yeux et les oreilles, des chaussures protectrices et un pantalon long.
- Inspectez minutieusement la surface où l'équipement doit être utilisé et retirez-en toutes les pierres, tous les bâtons, câbles, os et autres objets étrangers.
- Avant utilisation, inspectez toujours visuellement les lames, les boulons de lame et l'unité de coupe pour vérifier qu'ils ne sont ni usés ni endommagés. Afin de préserver l'équilibre de l'appareil, changez toujours les lames et les boulons en même temps.

### Operation

- Coupez exclusivement à la lumière du jour ou sous une lumière artificielle suffisante.
- Ayez toujours des appuis de pieds sûrs sur les pentes.
- Marchez, ne courez jamais.
- Faites extrêmement attention quand vous faites demi-tour ou que vous tirez le coupe-bordures vers vous.
- Assurez-vous que la lame est arrêtée avant de toucher des surfaces autres de l'herbe et lors du transport du coupe-bordures vers et depuis une zone à couper.
- Ne faites jamais fonctionner le coupe-bordures avec des protections défectueuses, manquantes ou incorrectes.
- Ne modifiez pas les paramètres du régulateur de vitesse du moteur et ne le mettez pas en survitesse.
- Démarrez le moteur en respectant minutieusement les instructions du manuel d'utilisation et en éloignant vos pieds des lames.
- Ne démarrez pas le moteur lorsqu'un passant se trouve devant la/les lame(s).
- Ne placez jamais vos mains ni vos pieds près ou sous les parties rotatives.
- Éteignez toujours le moteur et débranchez-le de la batterie :
  - 1) Avant de nettoyer des obstructions ;
  - 2) Avant de vérifier, nettoyer ou travailler sur la ou les lames ;

### CONSIGNES DE SÉCURITÉ IMPORTANTES

**⚠ AVERTISSEMENT :** Lors de l'utilisation de taille-bordures, des précautions de sécurités élémentaires doivent toujours être respectées afin de réduire les risques d'incendie, de choc électrique et de blessure corporelle, parmi lesquelles :

#### LIRE ATTENTIVEMENT AVANT UTILISATION.

#### CONSERVER POUR CONSULTATION ULTÉRIEURE.

**⚠ DANGER :** Ne comptez pas uniquement sur l'isolation de l'outil pour vous protéger des chocs électriques. Pour réduire le risque d'électrocution, n'utilisez jamais l'outil à proximité de câble ou de fils (lignes électriques, etc.), car ils peuvent être parcourus par un courant électrique.

**⚠ ATTENTION :** Portez une protection auditive individuelle appropriée pendant l'utilisation. Dans certaines conditions et durées d'utilisation, le bruit généré par ce produit peut contribuer à une perte d'acuité auditive.

#### Entraînement

- Lisez attentivement le manuel d'utilisation. Familiarisez-vous avec les commandes et l'utilisation correcte de l'outil.
- Ne laissez jamais des enfants ou des personnes non familiarisées avec les présentes instructions utiliser l'outil. Les réglementations locales peuvent définir un âge minimal pour l'opérateur.

- 3) Après avoir percuté un objet étranger : Inspectez la ou les lames à la recherche d'éventuels dégâts et effectuez des réparations avant de redémarrer le coupe-bordures ;
  - 4) Si le coupe-bordures se met à vibrer anormalement (contrôlez l'appareil immédiatement).
- Arrêtez le moteur dès que vous n'utilisez plus le coupe-bordures.
  - Ne rechargez pas la batterie sous la pluie ni dans les endroits mouillés.
  - Utilisez exclusivement les batteries et les chargeurs listés ci-dessous :
- | BATTERIE                                 | CHARGEUR           |
|--|--------------------|
| BA1120E, BA2240E, BA2800, BA3360, BA4200 | CH2100E<br>CH5500E |

- La batterie doit être retirée de l'outil avant la mise au rebut.
- La batterie doit être mise au rebut d'une manière sûre.
- Ne jetez pas la batterie dans un feu pour vous en débarrasser. Les batteries/accumulateurs peuvent exploser. Consultez les réglementations locales pour savoir si elles comportent des dispositions spéciales de mise au rebut.
- N'ouvrez pas la batterie et ne la mutiliez pas. L'électrolyte sortant des batteries est corrosif et peut blesser les yeux et la peau. Il peut être toxique s'il est avalé.
- Faites attention lors de la manipulation des batteries pour éviter de les court-circuiter avec des matériaux conducteurs, par exemple des bagues, des bracelets ou des clés. La batterie ou le conducteur peut surchauffer et provoquer des brûlures.
- Les outils alimentés par batterie n'ont pas à être branchés dans une prise électrique, ils sont donc toujours prêts à fonctionner. Prenez garde aux dangers potentiels même quand l'outil n'est pas en fonctionnement. Faites attention pendant l'entretien ou la réparation.
- Ne lavez pas l'outil avec un tuyau. Veillez à ce que de l'eau ne pénètre pas dans le moteur ni sur les connexions électriques.

### Entretien et stockage

- Veillez à ce que tous les écrous, vis et boulons soient bien serrés pour garantir que l'équipement est en bon état de marche.
- Changez les pièces usées ou endommagées.
- N'essayez pas de réparer la machine à moins que vous en ayez la compétence.

- Utilisez exclusivement des pièces de rechange recommandées par le fabricant.
- Débranchez la machine de la batterie avant d'entreprendre l'entretien ou le nettoyage.
- Inspectez et entretenez l'outil régulièrement. Faites réparer l'outil exclusivement par un réparateur agréé.
- Rangez l'outil hors de portée des enfants quand vous ne l'utilisez pas.
- Si des situations non couvertes par ce manuel se produisent, faites preuve de prudence et de bon sens. Contactez le centre de réparation EGO pour lui demander conseil.
- Conservez ce manuel d'utilisation. Consultez-le fréquemment et servez-vous-en pour instruire les autres personnes devant utiliser cet outil. Si vous prêtez cet outil à un tiers, prêtez-lui également ce manuel d'utilisation pour éviter l'utilisation incorrecte du produit et des blessures potentielles.

### CONSERVEZ CE MANUEL D'UTILISATION!

**REMARQUE : CONSULTEZ LE MANUEL D'UTILISATION DE L'ENSEMBLE MOTEUR POUR DES MESURES DE SÉCURITÉ SUPPLÉMENTAIRES.**

## SPÉCIFICATIONS

Longueur de la lame	20 cm	
Profondeur de coupe	Jusqu'à 75 mm	
Poids	2,26 kg	
Niveau de puissance acoustique mesuré $L_{WA}$	92,4 dB(A) K=2,07 dB(A)	
Niveau de pression acoustique au niveau des oreilles de l'opérateur $L_{PA}$	79,8 dB(A) K=3 dB(A)	
Niveau de puissance acoustique garanti $L_{WA}$ (conformément à la norme 2000/14/CE)	95 dB(A)	
Vibration $a_h$	Poignée auxiliaire avant	1,2 m/s <sup>2</sup> K=1,5 m/s <sup>2</sup>
	Poignée arrière	2,2 m/s <sup>2</sup> K=1,5 m/s <sup>2</sup>

- Les paramètres ci-dessus ont été testés et mesurés avec le bloc moteur PH1400E;
- La valeur totale des vibrations indiquée a été mesurée selon une procédure conforme à une méthode de test standardisée et peut servir pour comparer différents outils.
- La valeur totale des vibrations indiquée peut également servir pour effectuer une première évaluation de l'exposition.



**REMARQUE :** L'émission de vibrations pendant l'utilisation réelle de l'outil électrique est fonction de la manière dont il est utilisé et peut différer de la valeur indiquée. Pour se protéger, l'opérateur doit porter des gants et un casque antibruit dans les conditions actuelles d'utilisation.

## CONTENU DE L'EMBALLAGE

NOM DE PIÈCE	QUANTITÉ
Accessoire coupe-bordures	1
Clé hexagonale	1
Clé multifonctions	1
Goupille fendue	2
Manuel d'utilisation	1

### Lame recommandée

NOM DE PIÈCE	NUMÉRO DE MODÈLE
Lame de coupe-bordures	AEB0800

## DESCRIPTION

### APPRENEZ À CONNAÎTRE VOTRE ACCESSOIRE COUPE-BORDURES (Img. A)

1. Bouchon d'extrémité
2. Axe du coupe-bordures
3. Fourreau de lame
4. Lame
5. Bouton de réglage de la profondeur
6. Roue de guidage
7. Clé hexagonale
8. Clé multifonctions
9. Guide-chaîne de réglage de la profondeur
10. Volet à débris
11. Goupille fendue
12. Vissez pour fixer en place le guide-chaîne
13. Guide-chaîne

## ASSEMBLAGE

**AVERTISSEMENT :** Si une pièce est manquante ou endommagée, n'utilisez pas cet outil tant qu'elle n'a pas été remplacée. Utiliser cet outil avec des pièces endommagées ou manquantes peut provoquer des blessures corporelles graves.

**AVERTISSEMENT :** N'essayez jamais de modifier l'outil ni de créer des accessoires non recommandés pour être utilisés avec ce taille-bordure. De tels modifications et changements constituent une utilisation impropre et peuvent engendrer des situations dangereuses

**AVERTISSEMENT :** Ne réglez pas la protection de la lame. La protection de la lame a été réglée à l'usine de façon à ce que la flèche sur la protection de la lame et le côté ouverte ne pointent pas en direction de l'opérateur. Cela permet d'assurer que les découpes et les débris tombent à l'écart de l'outil électrique et de l'opérateur.

### BRANCHER L'ACCESSOIRE COUPE-BORDURES À L'ENSEMBLE MOTEUR

Cet accessoire coupe-bordures est conçu pour être utilisé avec un ensemble moteur EGO 56v Lithium-ion PH1400E.

Voir la section « **INSTALLER UN ACCESSOIRE SUR L'ENSEMBLE MOTEUR** » du manuel d'utilisation de l'ensemble moteur PH1400E.

## UTILISATION

**AVERTISSEMENT :** Veillez à ne pas devenir moins prudent au fur et à mesure que vous vous familiarisez avec cet outil. Gardez à l'esprit qu'une seconde d'inattention peut suffire pour provoquer des blessures graves.

**AVERTISSEMENT :** Portez toujours une protection oculaire avec boucliers latéraux. Et portez toujours une protection auditive. Sans ce type de protection, des objets peuvent être projetés dans vos yeux et d'autres blessures graves peuvent se produire.

### APPLICATIONS

Vous pouvez utiliser cet outil pour les usages listés ci-dessous :

- Couper autour des trottoirs, bordures, jardinières et autres surfaces similaires.

**REMARQUE :** L'outil ne doit être utilisé qu'à la finalité spécifiée pour lui. Tout autre usage est considéré impropre.

Avant chaque utilisation, inspectez l'outil pour détecter des pièces usées ou endommagées

Inspectez la tête de frappe, le capot de protection, la poignée auxiliaire avant, et remplacez les pièces fissurées, voilées, tordues ou présentant une autre détérioration.

**⚠ AVERTISSEMENT :** Pour éviter les blessures corporelles graves, retirez la batterie de l'outil avant de le réparer, de le nettoyer, de changer un accessoire ou d'enlever des matières de l'outil.

FR

## UTILISER L'ACCESSOIRE COUPE-BORDURES AVEC UN ENSEMBLE MOTEUR

**⚠ AVERTISSEMENT :** Lorsque vous utilisez le taille-bordure, habillez-vous convenablement pour réduire les risques de blessures. Ne portez pas de vêtement ample ni de bijou. Portez des protections oculaires et auditives. Portez un pantalon long et épais, des bottes et des gants. Ne portez pas de shorts ni de sandales et ne soyez pas pieds nus. Portez un masque facial ou un masque à poussière dans les endroits poussiéreux.

**⚠ AVERTISSEMENT :** Éliminez tous les obstacles et les objets solides de la zone de travail.

Pour améliorer et sécuriser l'utilisation, placez la sangle d'épaule sur l'épaule comme montré. Réglez la sangle d'épaule dans une position d'utilisation confortable.

Tenez le coupe-bordures avec la main droite sur la poignée arrière et la main gauche sur la poignée de maintien avant. Gardez une prise ferme avec les deux mains pendant que vous utilisez l'outil. Le coupe-bordures doit être tenu dans une position confortable avec la poignée arrière à hauteur des hanches (Img. B).

**⚠ AVERTISSEMENT :** La sangle d'épaule est aussi un mécanisme de retrait rapide en cas de situation dangereuse. En cas d'urgence, retirez-la immédiatement de votre épaule, quelle que soit la manière dont elle est portée.

### Après chaque utilisation, nettoyez le coupe-bordures.

Consultez la section ENTRETIEN pour les instructions de nettoyage.

### AJUSTER LA PROFONDEUR DE COUPE

1. Arrêtez le moteur et retirez la batterie.
2. Desserrez le bouton de réglage de la profondeur dans la direction de la flèche de déverrouillage marquée sur le bouton (Img. C).
3. Déplacez la roue de guidage, ainsi que le guide-chaîne de réglage de la profondeur, vers le haut pour augmenter la profondeur de coupe ou vers le bas pour la réduire (Img. D).
4. Réglez la roue de guidage afin que la lame n'entre pas en contact avec le sol sur plus de 5mm (Img. E), puis serrez-la fermement.
5. En vous tenant dans la position de travail normale, vérifiez à nouveau la profondeur de coupe et corrigez-la si nécessaire.

### POUR DÉMARRER/ARRÊTER L'OUTIL

Voir la section «**DÉMARRER/ARRÊTER L'ENSEMBLE MOTEUR**» du manuel d'utilisation de l'ensemble moteur PH1400E.

### ASTUCES DE FONCTIONNEMENT

- Tenez et manipulez l'ensemble moteur de façon à ce que la lame soit à la verticale. Utilisez la ligne de vue pour aligner la lame sur le bord de la bordure (Img. F).
- N'allez pas plus vite qu'une vitesse de marche pendant le fonctionnement. Si la lame commence à s'embourber, c'est que vous coupez trop vite, réduisez votre allure.
- Marchez toujours vers l'avant lorsque vous coupez et déplacez le coupe-bordures vers l'avant. Ne tirez pas le coupe-bordures vers vous.
- Ne forcez pas le contact de la lame avec le sol. Un contact léger de la lame contre le bord de la chaussée, le trottoir etc. est acceptable et n'endommagera pas le coupe-bordures.
- De meilleurs résultats sont obtenus lorsque l'herbe est sèche. Évitez de couper des sols humides ou des zones d'herbes humides, la protection de la lame risque de s'embourber. Si la protection de la lame s'embourbe, arrêtez le moteur, retirez la batterie, et retirez les débris de la protection de la lame.

## ENTRETIEN

**⚠ AVERTISSEMENT :** Avant d'inspecter, de nettoyer ou de réparer l'unité, arrêtez le moteur, attendez que toutes les parties mobiles soient à l'arrêt, et retirez la batterie. Ne pas observer ces instructions peut conduire à de sérieuses blessures corporelles ou des dégâts matériels.

**⚠ AVERTISSEMENT :** L'outil ne doit être réparé qu'avec des pièces de rechange identique. Inspectez et entretenez l'outil régulièrement. Pour garantir la sécurité et la fiabilité, toutes les réparations doivent être effectuées par un réparateur qualifié.

### ENTRETIEN GÉNÉRAL

N'utilisez pas de solvant pour nettoyer les pièces en plastique. La plupart des plastiques peuvent être détériorés par de nombreux solvants différents vendus dans le commerce. Utilisez des chiffons propres pour enlever les saletés, les poussières, l'huile, la graisse, etc.

## NETTOYER L'OUTIL

- Après chaque utilisation, nettoyez les débris, les obstructions de terre ou d'herbes sur la lame et la protection avec une brosse souple. Essuyez la surface du coupe-bordures avec un chiffon propre humidifié avec de l'eau et du savon doux.
- Avec une petite brosse ou l'air sortant de la brosse de nettoyage d'un petit aspirateur, nettoyez les ouïes de ventilation du boîtier arrière pour enlever tous les débris.

**REMARQUE :** N'utilisez pas de détergent puissant sur le boîtier en plastique ou sur la poignée. Ils peuvent être endommagés par certaines huiles aromatiques comme le pin et le citron.

## CHANGER LA LAME

**⚠ AVERTISSEMENT :** N'essayez pas de redresse ou de souder une lame tordue ou fissurée car elle pourrait se casser, vous devez la changer. Il est recommandé de la remplacer uniquement par une lame de coupe-bordures EGO, voir la section «**Lame recommandée**».

**REMARQUE :** Remplacez la lame si sa longueur n'est pas suffisante pour maintenir la garde au sol nécessaire et obtenir la profondeur de coupe requise.

**⚠ AVERTISSEMENT :** Protégez-vous toujours les mains en portant des gants épais ou en recouvrant la lame à l'aide de chiffons ou d'autres matériaux lorsque vous effectuez des opérations d'entretien de la lame du coupe-bordures.

### Retirer la lame

1. Arrêtez le moteur et retirez la batterie.
2. Posez le coupe-bordures sur le dos de façon à ce que la lame pointe vers le haut.
3. Portez des gants protecteurs. Utilisez une pince à long bec (non incluse) pour retirer la goupille fendue de l'arbre du moteur (Img. G).
4. Faites tourner la lame pour aligner l'encoche de la bride avec le trou du carte d'engrenages (Img. G).

Image G Description des pièces, voir ci-dessous :

G-1	Goupille fendue
G-2	Bride intérieure
G-3	Carter d'engrenages

5. Insérez la clé hexagonale fournie dans les trous alignés pour agir comme stabilisateur. Utilisez la clé multifonctions fournie pour desserrer l'écrou en tournant dans le **SENS HORAIRE** (Img. H).
6. Retirez l'écrou, la bride extérieure, la lame et la bride intérieure de l'arbre du moteur (Img. I). Vérifiez-les et remplacez-les s'ils sont usés.

Image I Description des pièces, voir ci-dessous :

I-1	Arbre du moteur	I-5	Lame
I-2	Bride intérieure	I-6	Bride externe
I-3	Encoche de la bride intérieure	I-7	Écrou
I-4	Renflement sur la bride intérieure	I-8	Goupille fendue

FR

### Installation de la lame

1. Positionnez la bride intérieure sur l'arbre du moteur avec le renflement vers l'extérieur (Img. I).
2. Installez la nouvelle lame sur la bride intérieure, en vous assurant que la lame est fixée en place en toute sécurité (Img. J).
3. Installez la bride extérieure et l'écrou sur l'arbre, et pressez l'écrou dans le **SENS ANTIHORAIRE** à la main.
4. Suivez les étapes 4 & 5 ci-dessus de « Retirer la lame » pour stabiliser la lame afin de serrer fermement l'écrou dans le **SENS ANTIHORAIRE**.
5. Insérez une nouvelle goupille fendue fournie dans le trou de l'arbre du moteur. Pliez les deux pieds de la goupille dans des directions opposées grâce une à pince à long bec (non incluse) (Img. G).

### REPLACER LA ROUE DE GUIDAGE

1. Arrêtez le moteur et retirez la batterie.
2. Posez le coupe-bordures sur le dos de façon à ce que la roue de guidage pointe vers le haut.
3. Desserrez le bouton de réglage de la profondeur dans la direction de la flèche de déverrouillage marquée sur le bouton et retirez-le.
4. Retirez la rondelle à ressort, la douille et la rondelle plate 1, la roue de guidage, la douille et la rondelle plate 2 de la tige-vis (Img. K). Vérifiez-les et remplacez-les s'ils sont usés.
5. Fixez tout d'abord la tige-vis dans le guide-chaîne de réglage de la profondeur, puis fixez la rondelle plate 2, la douille et la nouvelle roue, fixez ensuite la rondelle plate 1, la rondelle à ressort et le bouton d'ajustement de la profondeur sur la tige-vis en respectant la séquence indiquée sur l'Img. K.

Image K Description des pièces, voir ci-dessous :

K-1	Bouton de réglage de la profondeur	K-5	Douille
K-2	Rondelle à ressort	K-6	Rondelle plate 2
K-3	Rondelle plate 1	K-7	Tige-vis
K-4	Guide-chaîne	K-8	Guide-chaîne de réglage de la profondeur

**REMARQUE :** La roue de guidage doit être fixée avec les nervures plates vers l'intérieur (Img. L).

Image L Description des pièces, voir ci-dessous :

L-1	Vis	L-3	Volet à débris
L-2	Nervure plate	L-4	Panneau de fixation

FR

6. Verrouillez le bouton de réglage de la profondeur.

### REMPLENER LA VOLET À DÉBRIS (Img. L)

1. Arrêtez le moteur et retirez la batterie.
2. Utilisez la clé hexagonale fournie pour desserrez les deux vis.
3. Retirez les vis, le panneau de fixation et le volet à débris usé.
4. Installez un nouveau volet à débris et verrouillez-le au panneau de fixation et aux deux vis.

### VÉRIFIER ET REMPLACER LE GUIDE-CHAÎNE/LE CAPOT DE PROTECTION ANTI-USURE (Img. M)

Vérifiez que le capot de protection anti-usure et le guide-chaîne ne soient pas endommagés avant de démarrer l'outil électrique. Le capot de protection anti-usure doit être remplacé dès que le carter à engrenages devient visible.

**REMARQUE :** Le carter à engrenages peut être sérieusement endommagé si vous ne remplacez pas le capot de protection anti-usure dès qu'il devient visible.

1. Arrêtez le moteur et retirez la batterie.
2. Portez des gants protecteurs Faites pivoter la lame de façon à exposer les deux vis.
3. Utilisez la clé hexagonale fournie pour desserrez les deux vis, puis retirez-les.

**REMARQUE :** Si vous devez seulement remplacer le guide-chaîne, desserrez-le et retirez seulement la vis 1.

4. Remplacez le capot de protection anti-usure/le guide-chaîne usé ou déformé.
5. Assemblez le nouveau capot de protection anti-usure et le guide-chaîne sur le carter à engrenages et verrouillez-les avec deux vis.

Image M Description des pièces, voir ci-dessous :

M-1	Vis 1	M-4	Capot de protection anti-usure
M-2	Guide-chaîne	M-5	Trous de fixation
M-3	Vis 2	M-6	Carter d'engrenages

### RETIRER LE GUIDE-CHAÎNE

Si vous avez de l'expérience avec ce type de coupe-bordures, ou si vous trouvez que le guide-chaîne est un handicap pour votre travail de coupe, vous pouvez le retirer.

1. Desserrez puis retirez la vis 1.
2. Retirez le guide-chaîne.
3. Remettez en place et serrez la vis 1.

### LUBRIFICATION DES ENGRENAGES DE TRANSMISSION

Les engrenages de transmission du carter à engrenages doivent être lubrifiés régulièrement avec de la graisse pour engrenages. Vérifiez le niveau de graissage du carter à engrenages toutes les 50 heures de fonctionnement environ en retirant la vis à garniture d'étanchéité sur le côté du carter.

Si aucun graissage n'est visible sur les côtés de l'engrenage, suivez les étapes ci-dessous pour le remplir de graisse jusqu'au 3/4 de sa capacité.

Ne remplissez pas complètement les engrenages de transmission.

1. Positionnez le coupe-bordures vers le haut de façon à ce que la vis à garniture d'étanchéité soit tournée vers le haut (Img. N).
2. Utilisez la clé multifonctions fournie pour desserrez et retirez la vis à garniture d'étanchéité. Utilisez une seringue à graisse (non incluse) pour injecter un peu de graisse dans le trou de la vis. Ne dépassez pas les 3/4 de la capacité.
3. Serrez la vis à garniture d'étanchéité après injection.

### RANGER L'OUTIL

- Retirez la batterie du coupe-bordures.
- Nettoyez soigneusement et intégralement l'outil avant de le ranger.
- Si l'accessoire coupe-bordures est retiré de l'ensemble moteur et stockée séparément, installez le bouchon d'extrémité sur l'arbre de l'accessoire pour éviter que de la saleté n'entre dans le coupleur.
- Rangez l'outil dans un endroit sec et bien aéré, fermé à clé ou en hauteur, hors de portée des enfants. Ne rangez pas l'outil sur ou à côté d'engrais, d'essence ou d'autres substances chimiques.

### Protection de l'environnement



Ne jetez pas les équipements électriques, les chargeurs de batterie, les batteries rechargeables et les piles avec les ordures ménagères !

Conformément à la directive européenne 2012/19/UE, les équipements électriques et électroniques qui ne sont plus utilisables, et conformément à la directive européenne 2006/66/CE, les batteries rechargeables et les piles usagées ou défectueuses doivent être collectés séparément.

Si les appareils électriques sont jetés dans des décharges ou des dépôts d'ordures, des substances dangereuses peuvent s'infiltrer jusque dans la nappe phréatique et entrer dans la chaîne alimentaire, avec un effet néfaste sur votre santé et votre bien-être.

### DÉCLARATION DE CONFORMITÉ CE

Nous, EGO EUROPE GMBH

Wahlwiesenstrasse 1, D-71711 Steinheim an der Murr Deutschland

Déclarons que le produit accessoire pour dresse-bordure sans fil lithium-ion 56 V EA0800 équipé de la tête alimentée PH1400E

Respecte les exigences de sécurité et de santé essentielles des directives suivantes :

2006/42/CE, 2014/30/UE, 2011/65/UE, 2000/14/CE

Normes et spécifications techniques applicables :

EN 60745-1, ISO 11789-1, EN 55014-1, EN 55014-2

Niveau de puissance acoustique mesuré : 92,4 dB(A),

Niveau de puissance acoustique garanti : 95 dB(A),

FR

Peter Melrose  
Directeur général de  
EGO Europe GmbH

Dong Jianxun  
Directeur Qualité de  
Chervon

\* (Représentant autorisé par CHERVON et responsable de la documentation technique)

01/12/2016

## DÉPANNAGE

FR

PROBLÈME	CAUSE	SOLUTION
Le moteur refuse de démarrer.	<ul style="list-style-type: none"> <li>■ La batterie n'est pas insérée dans l'ensemble moteur.</li> <li>■ Il n'y a aucun contact électrique entre l'ensemble moteur et la batterie.</li> <li>■ La batterie est déchargée.</li> <li>■ Le levier de déverrouillage et l'interrupteur-gâchette ne sont pas tous les deux appuyés.</li> </ul>	<ul style="list-style-type: none"> <li>■ Insérez la batterie dans l'ensemble moteur.</li> <li>■ Retirez la batterie, vérifiez les contacts et réinstallez la batterie de façon à ce qu'elle soit bien en place.</li> <li>■ Chargez la batterie avec des chargeurs EGO listés dans ce manuel.</li> <li>■ Appuyez sur le levier de déverrouillage et maintenez-le appuyé, puis appuyez sur l'interrupteur-gâchette pour allumer le taille-bordure.</li> </ul>
L'ensemble moteur s'arrête pendant l'utilisation.	<ul style="list-style-type: none"> <li>■ Le moteur est en surcharge.</li> <li>■ La batterie ou l'ensemble moteur est trop chaud.</li> <li>■ La batterie est déconnectée de l'outil.</li> <li>■ La batterie est déchargée.</li> </ul>	<ul style="list-style-type: none"> <li>■ Le moteur se rallumera lorsque la charge est retirée. Pour un travail continu, diminuez la charge de l'ensemble moteur.</li> <li>■ Laissez la batterie ou l'ensemble moteur refroidir jusqu'à ce que sa température devienne inférieure à 67 °C (152°F).</li> <li>■ Réinstallez la batterie.</li> <li>■ Chargez la batterie avec des chargeurs EGO listés dans ce manuel.</li> </ul>
Bord irrégulier	<ul style="list-style-type: none"> <li>■ L'herbe ou le sol coupé est trop humide.</li> <li>■ La protection de la lame est embourbée.</li> </ul>	<ul style="list-style-type: none"> <li>■ Évitez de couper un sol ou de l'herbe humide.</li> <li>■ Arrêtez le moteur, retirez la batterie, et retirez les débris de la protection de la lame.</li> </ul>

## GARANTIE

### POLITIQUE DE GARANTIE EGO

Veuillez consulter le site [egopowerplus.com](http://egopowerplus.com) pour trouver l'ensemble des modalités et conditions de la politique de garantie EGO

## ¡LEA TODAS LAS INSTRUCCIONES!



### LEA EL MANUAL DEL USUARIO

**⚠ ¡Riesgo residual!** Aquellas personas con implantes electrónicos, tales como marcapasos, deberán consultar a su médico antes de utilizar este producto. La utilización de equipos eléctricos a proximidad de un marcapasos podría causar en este interferencias o averías.

**⚠ ADVERTENCIA:** Para garantizar la seguridad y fiabilidad de la herramienta, confíe cualquier reparación y sustitución de piezas que sea necesaria a personal técnico cualificado.

## SÍMBOLOS RELACIONADOS CON LA SEGURIDAD

El propósito de los símbolos de seguridad es el de atraer su atención hacia los posibles peligros que conlleva la utilización del producto. Los símbolos de seguridad y las explicaciones que los acompañan requieren su máxima atención y comprensión. Por sí solos, los símbolos de advertencia no eliminan los posibles peligros que pudieran existir. Las instrucciones y advertencias que aquí se incluyen no son sustitutas en modo alguno de las medidas de prevención adecuadas que deben tomarse para evitar posibles accidentes.

**⚠ ADVERTENCIA:** Antes de utilizar esta herramienta, asegúrese de haber leído y entendido perfectamente todas las instrucciones incluidas en este Manual del usuario, incluidos todos los símbolos de aviso sobre seguridad, tales como **PELIGRO, ADVERTENCIA y PRECAUCIÓN**. De no observarse todas las instrucciones proporcionadas a continuación podría existir un riesgo de incendio, electrocución, así como de lesiones físicas graves.

## SIGNIFICADO DE LOS DISTINTOS SÍMBOLOS

**⚠ SÍMBOLO DE AVISO DE SEGURIDAD:** señala algún tipo de **PELIGRO, ADVERTENCIA o PRECAUCIÓN** a tener en cuenta. Este símbolo podrá utilizarse de manera conjunta con otros símbolos o pictogramas.

**⚠ ADVERTENCIA:** Es posible que, cuando se utilizan herramientas eléctricas, salgan despedidos objetos que podrían causar lesiones oculares severas si no se utiliza equipo de protección personal adecuado. Antes de empezar a usar herramientas eléctricas, póngase siempre gafas de seguridad, gafas con cristales anti-impacto

que cuenten con pantallas de protección lateral, o bien una máscara facial que proteja completamente la cara. Recomendamos la utilización de máscaras de seguridad de amplia visión que pueden utilizarse encima de gafas graduadas, o bien gafas normales de seguridad equipadas con pantallas laterales.

## INSTRUCCIONES RELACIONADAS CON LA SEGURIDAD

Esta página muestra y describe los símbolos de seguridad que puede haber en este producto. Asegúrese de leer, entender perfectamente y observar todas las instrucciones estampadas o proporcionadas con el producto antes de proceder a su montaje y utilización.

ES

	Aviso de seguridad	Indica un peligro potencial de lesiones personales.
	Leer el Manual del usuario	Para reducir en lo posible el riesgo de lesiones, será necesario leer y entender perfectamente el Manual del usuario antes de proceder a utilizar este producto.
	Utilice protección auditiva y ocular	Utilice siempre utilice gafas de seguridad, gafas con cristales anti-impacto que cuenten con pantallas de protección lateral, o bien una máscara facial que proteja completamente la cara cuando se sirva de este producto.
	Mantenga a las personas presentes a una distancia segura	Asegúrese de que personas y animales domésticos se mantengan a una distancia de seguridad prudente del cortabordes cuando se esté utilizando.
	Dirección de rotación de la cuchilla del cortabordes	Indica la dirección de rotación de la cuchilla del cortabordes.
	Objetos despedidos	Examine minuciosamente la superficie donde vaya a utilizarse el equipo y retire piedras, ramas, cables, huesos o cualquier otro objeto extraño.

	Cuchilla de corte rotatoria	No coloque las manos o los pies cerca o debajo de los elementos en rotación.
	No exponga la herramienta a la lluvia	Carcasa con doble aislamiento.
	CE	Este producto está en conformidad con las directivas de la CE aplicables.
	RAEE	Los residuos eléctricos no deberán ser desechados con el resto de la basura doméstica. Llévelos a un punto limpio autorizado.
	Ruido	Nivel de potencia acústica garantizado. Emisiones de ruido al medio ambiente en conformidad con la Directiva de la Unión Europea.
V	Voltios	Tensión
mm	Milímetro	Longitud o tamaño
cm	Centímetro	Longitud o tamaño
kg	Kilogramo	Peso
	Corriente continua	Tipo o característica de la corriente

## PRECAUCIONES IMPORTANTES DE SEGURIDAD

**⚠ ADVERTENCIA:** Cuando se utilicen cortabordes con cabezal de hilo, deberán adoptarse siempre ciertas precauciones de seguridad básicas a fin de reducir posibles riesgos de incendio, electrocución y lesiones físicas. Además, deberán tenerse en cuenta las advertencias siguientes:

### LEA DETENIDAMENTE TODAS LAS INSTRUCCIONES ANTES DE UTILIZAR LA HERRAMIENTA

### CONSERVE ESTA INFORMACIÓN COMO REFERENCIA FUTURA

**⚠ ¡PELIGRO!** No confíe exclusivamente en el aislamiento de la herramienta a modo de prevención contra posibles descargas eléctricas. Para reducir en lo posible cualquier riesgo de electrocución, nunca utilice la herramienta cerca de cables o tendidos eléctricos (alimentación, etc.) que pudieran estar bajo tensión.

**⚠ PRECAUCIÓN:** Utilice protección auditiva adecuada mientras se sirve de la herramienta. En ciertas condiciones de uso y en función del tiempo de exposición, el ruido generado por este producto podría dañar su capacidad auditiva.

### Formación

- Lea detenidamente las instrucciones proporcionadas. Familiarícese con los mandos, así como con la manera correcta de utilizar su herramienta.
- Nunca permita que utilicen la herramienta las personas que no estén familiarizadas con estas instrucciones ni los niños. En algunos casos, es posible que la legislación local estipule una edad mínima para poder utilizar este tipo de herramientas.
- No utilice nunca el cortabordes cuando haya cerca otras personas, especialmente niños, o mascotas.
- Le recordamos que el operario o usuario de la herramienta será responsable de cualquier accidente o peligro que su utilización pudiera suponer para otras personas o bienes de terceros.

### Preparativos preliminares

- Mientras trabaja, utilice siempre protección ocular y auditiva, calzado de protección y pantalones largos.
- Examine minuciosamente la superficie donde vaya a utilizarse el equipo y retire piedras, ramas, cables, huesos o cualquier otro objeto extraño.
- Antes de utilizar la herramienta, examine las cuchillas, el perno de la cuchilla y el conjunto del sistema de corte por si presentasen desgaste o daños. Sustituya simultáneamente la cuchilla dañada o desgastada con sus tornillos para mantener así el equilibrado correcto del conjunto.

### Utilización

- Utilice únicamente el cortabordes a plena luz del día o cuando haya una iluminación artificial adecuada.
- Asegúrese siempre de tener los pies firmemente apoyados sobre el suelo cuando utilice la herramienta en pendientes o terreno con desniveles.
- Desplácese lentamente mientras utiliza la herramienta; nunca corra.
- Extreme la precaución al retroceder o al tirar hacia usted del cortabordes.
- Asegúrese de que la cuchilla se ha detenido antes de cruzar superficies distintas de hierba, así como cuando transporte el cortabordes a y desde el área a cortar.
- No utilice nunca el cortabordes sin las protecciones o con las protecciones montadas de forma incorrecta.
- No cambie los ajustes del regulador del motor ni acelere excesivamente el motor.



- Pulse el interruptor de encendido del motor con cuidado, de acuerdo con las instrucciones de seguridad y con el foso para los pies alejado de la(s) cuchilla(s).
- No ponga en marcha el motor cuando haya alguna persona delante de la(s) cuchilla(s).
- No coloque las manos o los pies cerca o debajo de los elementos en rotación.
- Apague siempre el motor y desconéctelo de la batería.
  - 1) Antes de eliminar bloqueos;
  - 2) Antes de comprobar, limpiar o llevar a cabo cualquier operación en la(s) cuchilla(s);
  - 3) Tras haber golpeado cualquier objeto extraño: Inspeccione si se han producido daños en la(s) cuchilla(s) y efectúe cualquier reparación antes de volver a poner en marcha y utilizar el cortabordes;
  - 4) En caso de que se produzcan vibraciones anormales en el cortabordes (verifíquelo inmediatamente).
- Apague el motor siempre que abandone el cortabordes.
- No recargue el acumulador bajo la lluvia ni en entornos excesivamente húmedos.
- Utilice únicamente los modelos de acumuladores y cargadores indicados a continuación:

ACUMULADOR	CARGADOR
BA1120E, BA2240E, BA2800, BA3360, BA4200	CH2100E CH5500E

- Deberá retirarse el acumulador de la herramienta antes de proceder a su eliminación.
- El acumulador deberá eliminarse de manera segura.
- No elimine el acumulador arrojándolo al fuego. Sus celdas podrían explotar. Consulte la normativa local referente a los procedimientos de eliminación especiales previstos a tal efecto.
- No desarme ni dañe en modo alguno el acumulador. El electrólito que podría liberarse es corrosivo y podría provocar lesiones oculares o cutáneas. Asimismo, podría ser tóxico si se ingiere.
- Tome las precauciones adecuadas al manipular los acumuladores a fin de no provocar cortocircuitos con materiales conductores, tales como anillos, pulseras y llaves. Cualquier cortocircuito podría provocar el sobrecalentamiento del acumulador o material conductor, con el consiguiente riesgo de sufrir quemaduras.
- Las herramientas que funcionan a batería no requieren enchufarse en una toma de corriente. Por lo tanto, siempre están listas para funcionar. Sea consciente de los posibles peligros implicados, incluso cuando la herramienta no está funcionando. Preste especial atención al efectuar reparaciones u operaciones de mantenimiento en la herramienta.

- No limpie la herramienta utilizando una manguera. Evite que penetre agua en el motor o en las conexiones eléctricas.

### Mantenimiento y almacenamiento

- Mantenga todas las tuercas, los pernos y los tornillos bien apretados para garantizar que el equipo se encuentre en condiciones de uso seguras.
- Sustituya aquellas piezas que presenten cualquier tipo de desgaste o daño.
- No intente reparar la máquina por su cuenta a menos que tenga la cualificación adecuada para ello.
- Utilice únicamente recambios y accesorios recomendados por el fabricante.
- Desconecte la máquina de la batería antes de llevar a cabo cualquier operación de mantenimiento o limpieza.
- Examine la herramienta a intervalos periódicos y lleve a cabo las operaciones de mantenimiento que sean necesarias. Confíe cualquier reparación que sea necesario efectuar en la herramienta a un servicio técnico autorizado.
- Cuando no la esté utilizando, guarde la herramienta en un lugar fuera del alcance de los niños.
- De darse alguna situación que no estuviera cubierta en este manual, asegúrese de actuar con cuidado y buen juicio. Póngase en contacto con el departamento de atención al cliente de EGO en caso de que necesite asistencia al respecto.
- Conserve estas instrucciones. Consúltelas con frecuencia y utilícelas para instruir a otras personas que vayan a utilizar esta herramienta. En caso de prestar esta herramienta a terceros, proporciónelas también estas instrucciones a fin de evitar su uso incorrecto y posibles riesgos de lesiones.

### CONSERVE ESTAS INSTRUCCIONES EN UN LUGAR SEGURO!

**NOTA: CONSULTE EL MANUAL DEL USUARIO DEL CONJUNTO DE MOTOR PARA OBTENER INSTRUCCIONES DE SEGURIDAD ESPECÍFICAS ADICIONALES.**

## ESPECIFICACIONES

Longitud de corte de la cuchilla	20 cm	
Profundidad de corte	Hasta 75 mm	
Peso	2,26 kg	
Nivel de potencia acústica ponderado ( $L_{WA}$ )	92,4 dB(A) K=2,07 dB(A)	
Nivel de presión acústica medido a la altura del oído del usuario ( $L_{PA}$ )	79,8 dB(A) K=3 dB(A)	
Nivel de potencia acústica garantizado $L_{WA}$ (medido según 2000/14/CE)	95 dB(A)	
Nivel de vibraciones ( $a_h$ )	Empuñadura auxiliar delantera	1,2 m/s <sup>2</sup> K=1,5 m/s <sup>2</sup>
	Empuñadura trasera	2,2 m/s <sup>2</sup> K=1,5 m/s <sup>2</sup>

- Los parámetros anteriores se han comprobado y medido equipando un conjunto de motor PH1400E;
- El nivel total de vibraciones especificado ha sido medido conforme al método de prueba estándar empleado en la industria y puede utilizarse para efectuar comparaciones entre herramientas;
- Asimismo, el nivel total de vibraciones declarado podrá utilizarse para efectuar una evaluación preliminar de la exposición del usuario a los niveles de vibración generados por la herramienta.

**AVISO:** Las vibraciones generadas durante el uso real de la herramienta eléctrica podrán diferir del valor declarado en función de la manera en que se utilice. A modo de protección, el usuario deberá utilizar guantes y protectores auditivos en condiciones reales de uso.

## LISTA DE EMBALAJE

DENOMINACIÓN DE PIEZA	CANTIDAD
Accesorio de cortabordes	1
Llave hexagonal	1
Llave multifunción	1
Pasador de chaveta	2
Manual de instrucciones	1

### Cuchilla recomendada

DENOMINACIÓN DE LA PIEZA	N.º DE MODELO:
Cuchilla de cortabordes	AEB0800

## DESCRIPCIÓN

### CONOZCA SU ACCESORIO DE CORTABORDES (Fig. A)

- Tapón
- Eje de cortabordes
- Protector de cuchilla
- Cuchilla
- Mando de ajuste de profundidad
- Rueda de guía
- Llave hexagonal
- Llave multifunción
- Barra de guía de ajuste de profundidad
- Aleta de desechos
- Pasador de chaveta
- Tornillo para bloquear la placa de guía en su sitio
- Placa de guía

## CONJUNTO

**ADVERTENCIA:** Si alguna pieza falta o está rota, no utilice el producto hasta haber sustituido las piezas rotas o instalado las que faltan. Podrían producirse lesiones físicas graves en caso de utilizar el producto si alguna de sus piezas falta o está dañada.

**ADVERTENCIA:** No intente modificar esta herramienta en modo alguno ni fabricar accesorios no recomendados para su uso en este cortabordes con cabezal de hilo. Cualquier alteración o modificación se considerará uso indebido y podría provocar una situación peligrosa con riesgo de sufrir lesiones graves.

**ADVERTENCIA:** No ajuste la protección de la cuchilla. La protección de la cuchilla se entrega ajustada de fábrica de modo que la flecha de la protección de la cuchilla y el lado abierto apunten lejos del operario. Esto garantiza que los recortes y otros desechos sean dirigidos lejos de la herramienta eléctrica y del operario.

### CONEXIÓN DEL ACCESORIO DE CORTABORDES AL CONJUNTO DE MOTOR

Este accesorio de cortabordes está diseñado para su uso con el conjunto de motor con batería de iones de litio de 56 V EGO PH1400E.

Véase la sección "INSTALACIÓN DE UN ACCESORIO EN EL CONJUNTO DE MOTOR" del manual del usuario del conjunto de motor PH1400E.

## UTILIZACIÓN

**⚠ ADVERTENCIA:** No permita que la confianza que supone el hecho de estar familiarizado con el producto dé lugar a descuidos. Recuerde que cualquier distracción de una fracción de segundos es suficiente para sufrir o provocar lesiones graves.

**⚠ ADVERTENCIA:** Utilice siempre gafas de seguridad con pantallas de protección lateral, así como protección auditiva. De lo contrario, los objetos despedidos por la acción de la herramienta podrían alcanzar sus ojos y provocar lesiones graves oculares o de otro tipo.

### APLICACIONES

Este producto podrá utilizarse para los fines indicados a continuación:

- Corte de bordes en paseos, curvas, parterres y otras áreas similares.

**AVISO:** La herramienta deberá utilizarse únicamente para el fin previsto. Cualquier otro uso se considerará uso indebido.

**Antes de cada utilización, examine la herramienta para determinar la posible existencia de piezas dañadas o desgastadas.**

Examine el cabezal de impacto, la guarda de protección y empuñadura auxiliar delantera. Sustituya cualquier pieza que esté agrietada, deformada, doblada o presente cualquier tipo de daño.

**⚠ ADVERTENCIA:** Para evitar en lo posible sufrir lesiones físicas graves, asegúrese siempre de retirar el pack de la batería de la herramienta antes de proceder a efectuar cualquier reparación, limpieza, sustitución de accesorios y elementos de corte, así como de retirar acumulaciones de material cortado.

### UTILIZACIÓN DEL ACCESORIO DE CORTABORDES CON EL CONJUNTO DE MOTOR

**⚠ ADVERTENCIA:** Asegúrese de vestir adecuadamente al utilizar esta herramienta a fin de reducir en lo posible cualquier riesgo de lesiones físicas. No lleve puesta ropa holgada ni joyas. Utilice protección ocular y auditiva. Utilice pantalones largos, botas y guantes resistentes. No lleve pantalones cortos, sandalias, ni vaya descalzo. Asimismo, utilice una mascarilla antipolvo o protección respiratoria si usa la herramienta en entornos polvorientos.

**⚠ ADVERTENCIA:** Retire cualquier obstáculo y objeto sólido del área de trabajo.

Para un funcionamiento mejor y más seguro, póngase la correa bandolera cruzada desde el hombro. Ajuste la correa bandolera en una posición cómoda para utilizar la herramienta.

Sujete el cortabordes con la mano derecha sobre la empuñadura trasera y la mano izquierda sobre la empuñadura auxiliar delantera. Mantenga un agarre firme con las dos manos mientras utiliza la herramienta. El cortabordes deberá sujetarse en una posición cómoda con la empuñadura trasera aproximadamente a la altura de la cadera (Fig. B).

**⚠ ADVERTENCIA:** La correa bandolera también es un mecanismo de liberación rápida si se produce una situación peligrosa. En caso de emergencia, quítesela del hombro inmediatamente, sin importar cómo esté colocada la correa.

### Asegúrese de limpiar el cortabordes después de cada utilización.

Consulte la sección de MANTENIMIENTO para las instrucciones de limpieza.

### AJUSTE DE LA PROFUNDIDAD DE CORTE

1. Apague el motor y retire el pack de la batería.
2. Afloje el mando de ajuste de la profundidad en la dirección de la flecha de desbloqueo marcada sobre el mando (Fig. C).
3. Desplace la rueda de guía, junto con la barra de guía de ajuste de la profundidad, hacia arriba para incrementar la profundidad de corte o hacia abajo para reducir la profundidad (Fig. D).
4. Ajuste la rueda de guía de modo que la cuchilla simplemente toque el suelo o rompa la superficie del suelo no más de 5 mm (Fig. E) y, a continuación, apriete de modo seguro.
5. En la posición de trabajo normal, compruebe la profundidad de corte de nuevo y corríjala si fuera necesario.

### PARA PONER EN MARCHA/APAGAR LA HERRAMIENTA

Véase la sección "PUESTA EN MARCHA / APAGADO DEL CONJUNTO DE MOTOR" del manual del usuario del conjunto de motor PH1400E.

### CONSEJOS DE USO

- Sujete y guíe el conjunto de motor de modo que la cuchilla quede en posición vertical. Utilice la línea de vista para alinear la cuchilla con el borde del parterre (Fig. F).

- No utilice a más velocidad del paso de caminar normal. Si la cuchilla comenzara a atascarse, tal vez esté cortando demasiado rápido; ralentice el paso.
- Camine siempre hacia adelante cuando corte y desplace el cortabordes también hacia adelante. No tire del cortabordes hacia usted.
- No fuerce a penetrar la cuchilla en el suelo. Un ligero contacto de la cuchilla contra el borde del paseo, la curva, etc. será aceptable y no dañará el cortabordes.
- Obtendrá unos resultados óptimos si la hierba está seca. Evite cortar en zonas de suelo o hierba mojados ya que la protección de la cuchilla podría atascarse y producir un borde irregular. Si la protección de la cuchilla se atascara, apague el motor, quite el pack de la batería y retire cualquier resto de la protección de la cuchilla.

## MANTENIMIENTO

**⚠ ADVERTENCIA:** Antes de inspeccionar, limpiar o prestar servicio a la unidad, apague el motor, espere a que se detengan todas las partes móviles y retire el pack de la batería. El incumplimiento de estas instrucciones podría tener como resultado lesiones personales graves o daños materiales.

**⚠ ADVERTENCIA:** Cuando efectúe reparaciones en la herramienta, utilice únicamente piezas idénticas a las originales. Examine la herramienta a intervalos periódicos y lleve a cabo las operaciones de mantenimiento que sean necesarias. Para garantizar la seguridad y fiabilidad del producto, confíe cualquier reparación que sea necesaria a personal técnico cualificado.

### MANTENIMIENTO GENERAL

Evite utilizar disolventes para limpiar los elementos plásticos del producto. La mayoría de las piezas de plástico utilizadas son susceptibles de sufrir daños si se limpian con algunos de los tipos de disolventes de uso industrial disponibles en el mercado. Utilice paños limpios para eliminar la suciedad y los residuos de polvo, aceite, grasa, etc.

### LIMPIEZA DE LA HERRAMIENTA

Después de cada uso, limpie los restos, la tierra o la hierba atascados en la cuchilla y en la protección de ésta con una brocha suave. Limpie la superficie del cortabordes con un paño limpio, humedecido con una solución de agua y detergente suave.

Utilice un cepillo pequeño o el accesorio tipo cepillo de una aspiradora para limpiar las obstrucciones de los orificios de ventilación de la carcasa trasera.

**AVISO:** No utilice detergentes fuertes sobre la carcasa de plástico o en la empuñadura. Ciertos aceites aromáticos, tales como aquellos a base de limón o resina de pino podrían dañar estas piezas.

### SUSTITUCIÓN DE LA CUCHILLA

**⚠ ADVERTENCIA:** No intente enderezar o soldar una cuchilla curvada o agrietada; podría romperse. Deberá sustituirse. Sustituya únicamente por una cuchilla para cortabordes de EGO; consulte la sección "**Cuchilla recomendada**".

**AVISO:** Sustituya la cuchilla si su longitud ya no fuera suficiente para mantener la separación necesaria del suelo y obtener la profundidad de corte requerida.

**⚠ ADVERTENCIA:** Proteja siempre sus manos utilizando guantes gruesos o envolviendo la cuchilla en paños u otros materiales cuando lleve a cabo cualquier operación de mantenimiento en la cuchilla del cortabordes.

### Extracción de la cuchilla

1. Apague el motor y retire el pack de la batería.
2. Ponga el cortabordes sobre su parte trasera, de modo que la cuchilla quede mirando hacia arriba.
3. Utilice guantes de protección. Utilice unos alicates de punta de aguja (no incluidos) para retirar el pasador de chaveta del eje motor (Fig. G).
4. Gire la cuchilla para alinear la ranura de la brida con el orificio de la caja de engranajes (Fig. G).

Fig. G, véase a continuación la descripción de las piezas:

G-1	Pasador de chaveta
G-2	Brida interior
G-3	Caja de engranajes

5. Inserte la llave hexagonal suministrada en los orificios alineados para que actúe como un estabilizador. Emplee la llave multifunción suministrada para aflojar la tuerca **EN EL SENTIDO DE LAS AGUJAS DEL RELOJ** (Fig. H).
6. Retire la tuerca, la brida exterior, la cuchilla y la brida interior del eje motor (Fig. I). Verifíquelas y sustitúyalas si estuvieran gastadas.

Fig. I, véase a continuación la descripción de las piezas:

I-1	Eje motor	I-5	Cuchilla
I-2	Brida interior	I-6	Brida exterior
I-3	Ranura de la brida interior	I-7	Tuerca
I-4	Protuberancia de la brida interior	I-8	Pasador de chaveta

### Instalación de la cuchilla

1. Coloque la brida interior sobre el eje motor con la protuberancia mirando hacia fuera (Fig. I).
2. Instale la cuchilla nueva sobre la brida interior, asegurándose de que la cuchilla quede montada en su sitio de forma segura (Fig. J).
3. Monte la brida exterior y la tuerca sobre el eje y preapriete la tuerca **EN EL SENTIDO CONTRARIO DE LAS AGUJAS DEL RELOJ** a mano.
4. Siga los pasos 4 y 5 anteriores de la sección “Extracción de la cuchilla” para estabilizar la cuchilla y apriete de modo seguro la tuerca en **EL SENTIDO CONTRARIO DE LAS AGUJAS DEL RELOJ**.
5. Introduzca un pasador de chaveta suministrado en el orificio del eje motor. Curve las dos patas del pasador en sentidos opuestos con unos alicates de punta de aguja (no incluidos) (Fig. G).

### SUSTITUCIÓN DE LA RUEDA DE GUÍA

1. Apague el motor y retire el pack de la batería.
2. Ponga el cortabordes sobre su parte trasera, de modo que la rueda de guía quede mirando hacia arriba.
3. Afloje el mando de ajuste de la profundidad en la dirección de la flecha de desbloqueo marcada sobre el mando y quítelo.
4. Retire la arandela de resorte, la arandela plana 1, la rueda de guía, el buje y la arandela plana del tubo del tornillo (Fig. K). Verifíquelos y sustitúyalos si estuvieran gastados.
5. Monte el tubo del tornillo a través de la barra de guía de ajuste de la profundidad en primer lugar y, a continuación, monte la arandela plana 2, el buje y la rueda nueva y luego monte la arandela plana 1, la arandela de resorte y el mando de ajuste de la profundidad sobre el tubo del tornillo en la secuencia mostrada en la Fig. K.

Fig. K, véase a continuación la descripción de las piezas:

K-1	Mando de ajuste de profundidad	K-5	Buje
K-2	Arandela de resorte	K-6	Arandela plana 2
K-3	Arandela plana 1	K-7	Tubo del tornillo
K-4	Rueda de guía	K-8	Barra de guía de ajuste de profundidad

**AVISO:** La rueda de guía deberá montarse con las nervaduras planas mirando hacia dentro (Fig. L).

Fig. L, véase a continuación la descripción de las piezas:

L-1	Tornillos	L-3	Aleta de desechos
L-2	Nervadura plana	L-4	Placa de fijación

6. Bloquee el mando de ajuste de la profundidad.

### SUSTITUCIÓN DE LA ALETA DE DESECHOS (Fig. L)

1. Apague el motor y retire el pack de la batería.
2. Utilice la llave hexagonal suministrada para aflojar los dos tornillos.
3. Retire los tornillos, la placa de fijación y la aleta de desechos gastada.
4. Sustituya por una aleta de desechos nueva y bloquéela con la placa de fijación y los dos tornillos.

### COMPROBACIÓN Y SUSTITUCIÓN DE LA PROTECCIÓN ANTIDESGASTE/PLACA DE GUÍA (Fig. M)

Compruebe si la protección antidesgaste y la placa de guía presentan daños antes de poner en marcha la herramienta eléctrica. La protección antidesgaste deberá sustituirse en cuanto la caja de engranajes se haga visible.

**AVISO:** La caja de engranajes podría resultar dañada gravemente si no se sustituye la protección antidesgaste en cuanto la caja de engranajes sea visible.

1. Apague el motor y retire el pack de la batería.
2. Utilice guantes de protección Gire la cuchilla según sea necesario para dejar expuestos los dos tornillos.
3. Utilice la llave hexagonal suministrada para aflojar los dos tornillos y extraerlos.

**AVISO:** Si solamente necesitara sustituir la placa de guía, afloje y quite solamente el tornillo 1.

4. Sustituya la protección antidesgaste/placa de guía deformadas o gastadas.
5. Monte la protección antidesgaste y la placa de guía nuevas sobre la caja de engranajes y bloquéelas con los dos tornillos.

Fig. M, véase a continuación la descripción de las piezas:

M-1	Tornillo 1	M-4	Protección antidesgaste
M-2	Placa de guía	M-5	Orificios de montaje
M-3	Tornillo 2	M-6	Caja de engranajes

## RETIRADA DE LA PLACA DE GUÍA

Si tiene experiencia con este tipo de cortabordes, o si encontrara que la placa de guía constituye un estorbo en su operación de corte, podrá retirarla.

1. Afloje y retire el tornillo 1.
2. Retire la placa de guía
3. Vuelva a colocar y a apretar el tornillo 1.

ES

## LUBRICACIÓN DE LOS ENGRANAJES DE TRANSMISIÓN

Los engranajes de transmisión de la caja de engranajes deberán lubricarse periódicamente con grasa para engranajes. Compruebe el nivel de grasa de la caja de engranajes aproximadamente cada 50 horas de uso retirando el tornillo de sellado del lateral de la caja.

Si no se ve grasa en los lados de los engranajes, siga los pasos que se presentan a continuación para rellenar con grasa para engranajes hasta una capacidad de 3/4.

No rellene por completo los engranajes de transmisión con grasa.

1. Coloque el cortabordes vertical de modo que el tornillo de sellado quede mirando hacia arriba (Fig. N).
2. Emplee la llave multifunción suministrada para aflojar y retirar el tornillo de sellado. Utilice una jeringa de grasa (no incluida) para inyectar la grasa en el orificio del tornillo; no sobrepase la capacidad de 3/4.
3. Apriete el tornillo de sellado tras la inyección.

## ALMACENAMIENTO DE LA HERRAMIENTA

- Retire el pack de batería del cortabordes.
- Limpie minuciosamente la herramienta antes de proceder a su almacenamiento.
- Si el accesorio del cortabordes se retirara del conjunto de motor y se almacenara por separado, acople el tapón sobre el eje del accesorio para evitar que entre suciedad en el acoplador.
- Almacene la herramienta en un lugar seco y bien ventilado, ya sea cerrado o a una altura suficiente que impida que los niños puedan alcanzarla. No la guarde encima ni cerca de fertilizantes, gasolina u otros productos químicos.

## Protección del medio ambiente



No elimine aparatos eléctricos, cargadores de baterías, acumuladores recargables o baterías junto con los desperdicios domésticos!

Tanto la Directiva europea 2012/19/UE sobre la eliminación de aparatos eléctricos y electrónicos inservibles como la Directiva europea 2006/66/CE sobre la eliminación de baterías o acumuladores defectuosos o agotados estipulan que dichos elementos deben ser objeto de una recogida selectiva.

Si los aparatos eléctricos acabaran tirándose a vertederos o basureros, podrían desprender sustancias perjudiciales que llegarían a contaminar las capas freáticas y entrar en la cadena alimenticia, con el consecuente peligro para la salud y calidad de vida humana.

## DECLARACIÓN DE CONFORMIDAD CE

Nosotros, EGO EUROPE GMBH  
Wahlwiesenstrasse 1, D-71711 Steinheim an der Murr  
Deutschland

Declaramos que el producto accesorio para recortar bordes inalámbrico con acumulador de ion de litio de 56V EA0800, equipado con un conjunto de motor PH1400E es conforme con los requisitos de salud y seguridad esenciales de las siguientes directivas:

2006/42/CE, 2014/30/UE, 2011/65/UE, 2000/14/CE

Normas y especificaciones técnicas consultadas:

EN 60745-1, ISO 11789-1, EN 55014-1, EN 55014-2

Nivel de potencia acústica ponderado: 92,4 dB(A),

Nivel de potencia acústica garantizado: 95 dB(A)

Peter Melrose  
Director Ejecutivo de  
EGO Europe GmbH

Dong Jianxun  
Director de calidad de  
Chervon

\* (representante autorizado de CHERVON y responsable de la documentación técnica)

01/12/2016

## RESOLUCIÓN DE PROBLEMAS

ANOMALÍA	CAUSA	SOLUCIÓN
El motor no arranca.	<ul style="list-style-type: none"> <li>■ El pack de la batería no está acoplado al conjunto de motor.</li> <li>■ No hay contacto eléctrico entre el conjunto de motor y el pack de batería.</li> <li>■ El acumulador está agotado.</li> <li>■ No ha presionado simultáneamente la palanca de desbloqueo y el gatillo interruptor.</li> </ul>	<ul style="list-style-type: none"> <li>■ Acople el pack de batería al conjunto de motor.</li> <li>■ Retire la batería, compruebe los contactos eléctricos y vuelva a instalar el pack de batería de modo que encaje en su sitio.</li> <li>■ Cargue el pack de batería con los cargadores EGO que aparecen en este manual.</li> <li>■ Empuje hacia abajo el botón de desbloqueo y manténgalo en dicha posición. Apriete el gatillo para poner en marcha el conjunto de motor.</li> </ul>
El conjunto de motor se para durante el uso.	<ul style="list-style-type: none"> <li>■ El motor se ha sobrecargado</li> <li>■ El pack de batería o el conjunto de motor se han sobrecalentado.</li> <li>■ El pack de batería está desconectado de la herramienta.</li> <li>■ El pack de batería está agotado.</li> </ul>	<ul style="list-style-type: none"> <li>■ El motor se recuperará cuando se retire la carga. Para un trabajo continuo, reduzca la carga del conjunto de motor.</li> <li>■ Espere a que el pack de batería o el conjunto de motor se hayan enfriado lo suficiente para que su temperatura sea inferior a 67 °C (152 °F).</li> <li>■ Vuelva a instalar en su sitio el pack de batería.</li> <li>■ Cargue el pack de batería con los cargadores EGO que aparecen en este manual.</li> </ul>
Corte de bordes irregular	<ul style="list-style-type: none"> <li>■ La hierba o el suelo cortados están demasiado húmedos.</li> <li>■ La protección de la cuchilla está atascada.</li> </ul>	<ul style="list-style-type: none"> <li>■ Evite el corte en suelo o hierba mojados.</li> <li>■ Apague el motor, extraiga el pack de la batería y retire cualquier resto de la protección de la cuchilla.</li> </ul>

ES

## GARANTÍA

### POLITICA DE GARANTÍA EGO

Por favor visite nuestra página web [egopowerplus.com](http://egopowerplus.com) para los terminos y las condiciones completas de la política de garantía EGO.

## LEIA TODAS AS INSTRUÇÕES!



### LEIA O MANUAL DE INSTRUÇÕES

PT

**⚠ Risco residual!** As pessoas com dispositivos eletrônicos, como *pacemakers*, deverão consultar o seu médico antes de utilizarem este produto. A utilização de equipamento elétrico perto de um *pacemaker* pode causar interferências ou falhas no *pacemaker*.

**⚠ AVISO:** Para assegurar a segurança e bom funcionamento, todas as reparações e substituições deverão ser efetuadas por um técnico de reparação qualificado.

## SÍMBOLOS DE SEGURANÇA

O objetivo dos símbolos de segurança é chamar a atenção para possíveis perigos. Os símbolos de segurança e as respetivas explicações apresentadas requerem a sua atenção e compreensão. Os avisos de segurança, só por si, não eliminam o perigo. As instruções e avisos dados não são substitutos para medidas de prevenção adequadas a acidentes.

**⚠ AVISO:** Certifique-se de que lê e compreende todas as instruções de segurança neste manual do utilizador, incluindo todos os símbolos de alerta de segurança, como **“PERIGO”**, **“AVISO”**, e **“CUIDADO”** antes de utilizar esta ferramenta. Não seguir todas as instruções apresentadas abaixo pode resultar em choque elétrico, incêndio e/ou lesões graves.

## SIGNIFICADO DOS SÍMBOLOS

**SÍMBOLO DE ALERTA DE SEGURANÇA:** Indica **PERIGO**, **AVISO** ou **CUIDADO**. Pode ser usado juntamente com outros símbolos ou imagens.

**⚠ AVISO:** O funcionamento de qualquer ferramenta elétrica pode dar origem ao ressalto de quaisquer objetos estranhos que podem atingir os olhos, podendo dar origem a sérias lesões oculares. Antes de começar a utilizar a ferramenta elétrica, utilize sempre óculos de segurança com proteções laterais e uma proteção completa para o rosto, quando necessário. Recomendamos a utilização de máscaras de segurança com visão panorâmica por cima dos óculos ou óculos de segurança padrão com proteção lateral.

## INSTRUÇÕES DE SEGURANÇA

Esta página retrata e descreve os símbolos de segurança que podem aparecer neste produto. Leia, compreenda e siga todas as instruções na máquina antes de a tentar montar e utilizar.

	Alerta de segurança	Indica um potencial perigo de lesões pessoais.
	Leia o manual do utilizador	Para reduzir o risco de lesões, o utilizador tem de ler e compreender o manual do utilizador antes de utilizar este produto.
	Use proteções auditivas e oculares.	Utilize sempre óculos de segurança com proteção lateral e, se necessário, uma proteção completa do rosto, quando utilizar este produto.
	Mantenha outras pessoas a uma distância segura.	Certifique-se de que outras pessoas e animais permanecem a uma certa distância do corta-sebes durante a utilização.
	Direção da rotação da lâmina do aparador.	Indica a direção de rotação da lâmina do aparador.
	Objetos atirados	Inspeccione cuidadosamente a superfície onde vai utilizar o equipamento e retire quaisquer pedras, paus, ossos e outros objetos estranhos.
	Lâmina de corte rotativa	Não coloque as mãos ou pés perto ou debaixo das peças rotativas.
	Não exponha à chuva	Não utilizar à chuva ou deixar no exterior enquanto chove.
	CE	Este produto encontra-se em conformidade com as diretivas CE aplicáveis.
	WEEE	Os produtos elétricos residuais não deverão ser eliminados juntamente com o lixo doméstico comum. Entregue-os num centro de reciclagem autorizado.



	Ruído	Nível de potência do som garantido. Emissão de ruído para o ambiente de acordo com a diretiva da Comunidade Europeia.
V	Volts	Tensão
mm	Milímetro	Comprimento ou tamanho
cm	Centímetro	Comprimento ou tamanho
kg	Quilograma	Peso
	Corrente direta	Tipo ou característica da corrente

### INSTRUÇÕES DE SEGURANÇA IMPORTANTES

**AVISO:** Quando se utilizarem aparadores de fio, devem adotar-se sempre medidas de segurança básicas para reduzir o risco de incêndio, de descargas elétricas e de lesões pessoais, incluindo o seguinte:

#### LEIA ATENTAMENTE ANTES DE UTILIZAR

#### GUARDE PARA FUTURA REFERÊNCIA

**PERIGO:** Não confie apenas no isolamento da ferramenta contra choques elétricos. Para reduzir o risco de eletrocussão, nunca utilize o aparelho perto de quaisquer fios ou cabos (eletricidade, etc.) que possam transportar corrente elétrica.

**CUIDADO:** Utilize equipamento de proteção auditiva adequada durante a utilização. Em algumas condições e durações de utilização, o ruído proveniente deste produto pode contribuir para a perda de audição.

#### Treino

- Leia estas instruções com atenção. Familiarize-se com todos os controles e com a utilização correcta da máquina.
- Nunca permita que pessoas que não estejam familiarizadas com as instruções ou crianças utilizem o aparelho. Os regulamentos locais podem restringir a idade do utilizador.
- Nunca apare com pessoas, especialmente crianças ou animais por perto.
- Tenha em conta que o operador ou utilizador é o responsável por acidentes ou perigos que ocorram a outras pessoas ou à sua propriedade.

#### Preparação

- Enquanto apare, use sempre proteção ocular e auditiva, calçado resistente e calças compridas.

- Inspeccione cuidadosamente a superfície onde vai utilizar o equipamento e retire quaisquer pedras, paus, ossos e outros objetos estranhos.
- Antes da utilização, inspeccione sempre visualmente se as lâminas, parafuso da lâmina e o conjunto de corte não estão gastos ou danificados. Substitua parafusos e lâminas gastas ou danificadas e outros componentes em simultâneo, para preservar o equilíbrio.

#### Funcionamento

- Apare apenas à luz do dia ou com boa luz artificial.
- Nos locais inclinados, certifique-se sempre do local onde coloca os pés.
- Caminhe, nunca corra.
- Tenha muito cuidado quando virar ou puxar o aparador na sua direção.
- Certifique-se de que a lâmina parou antes de passar por superfícies que não sejam relvadas e quando transportar o aparador de e para a área a ser aparada.
- Nunca utilize o aparador com proteções defeituosas, em falta ou colocadas incorretamente.
- Não mude as configurações do motor, nem aumente a velocidade do motor.
- Ligue cuidadosamente o motor de acordo com as instruções e com os pés bem afastados das lâminas.
- Não ligue o motor quando houver pessoas à frente das lâminas.
- Não coloque as mãos ou pés perto ou debaixo das peças rotativas.
- Desligue sempre o motor e retire a bateria.
  - 1) Antes de limpar bloqueios;
  - 2) Antes de verificar, limpar ou efetuar trabalhos nas lâminas;
  - 3) Após bater num objeto estranho: Inspeccione as lâminas quanto a danos e faça as reparações necessárias antes de reiniciar e utilizar o aparador;
  - 4) Se o aparador começar a vibrar anormalmente (verifique imediatamente).
- Pare o motor sempre que deixar o aparador.
- Não carregue a bateria à chuva ou em condições húmidas.
- Utilize apenas com baterias e carregadores listados em baixo:

BATERIA	CARREGADOR
BA1120E, BA2240E, BA2800, BA3360, BA4200	CH2100E CH5500E

- A bateria tem de ser retirada do equipamento antes de ser eliminada.

PT

- A bateria tem de ser eliminada de modo seguro.
- Não atire a bateria para o fogo. As células podem explodir. Verifique as normas locais quanto a possíveis instruções especiais de eliminação.
- Não abra, nem altere a bateria. O eletrólito libertado é corrosivo e pode causar lesões nos olhos ou pele. Pode ser tóxico se engolido.
- Tenha muito cuidado ao manusear as baterias, de modo a não colocá-las em curto-circuito com materiais condutores, como anéis, pulseiras e chaves. A bateria ou o condutor podem sobreaquecer e causar queimaduras.
- As ferramentas que funcionam a bateria não têm de ser ligadas a uma tomada elétrica; assim, estão sempre em estado de funcionamento. Tenha cuidado com possíveis perigos quando o aparelho não estiver a funcionar. Tenha cuidado quando efetuar a manutenção ou reparações.
- Não lave com uma mangueira. Evite que entre água no motor e nas ligações elétricas.

### Manutenção e arrumação

- Mantenha todas as porcas e parafusos bem apertados, para se certificar de que o aparelho está em boas condições de funcionamento.
- Substitua as peças gastas ou danificadas.
- Não tente reparar a máquina, a não ser que tenha qualificações para isso.
- Use apenas peças sobresselentes e acessórios recomendados pelo fabricante.
- Desligue a máquina da bateria antes de efetuar trabalhos de limpeza ou manutenção.
- Inspeccione e efetue a manutenção da máquina com regularidade. A máquina apenas deve ser reparada por um reparador autorizado.
- Quando não usar a máquina, guarde-a fora do alcance de crianças.
- Se ocorrerem situações que não sejam abrangidas por este manual, tenha cuidado e faça uso do bom senso. Contacte o centro de reparação da EGO para obter assistência.
- Guarde estas instruções. Consulte com frequência e utilize estas instruções para instruir outras pessoas sobre a forma de utilizar este equipamento. Se emprestar este aparelho, entregue também as instruções, para evitar uma má utilização do produto e possíveis lesões.

### GUARDE ESTAS INSTRUÇÕES!

**NOTA: CONSULTE O MANUAL DE INSTRUÇÕES DA SUA CABEÇA MOTORA PARA OBTER AS REGRAS DE SEGURANÇA ADICIONAIS ESPECÍFICAS.**

## ESPECIFICAÇÕES

Comprimento da lâmina	20 cm	
Profundidade do aparar	Até 75 mm	
Peso	2,26 kg	
Nível de potência do som medido $L_{WA}$	92,4 dB(A) K=2,07 dB(A)	
Nível da pressão do som no ouvido do operador $L_{PA}$	79,8 dB(A) K=3 dB(A)	
Nível de potência acústica garantido $L_{WA}$ (medido de acordo com 2000/14/CE)	95 dB(A)	
Vibração $a_h$	Pega dianteira	1,2 m/s <sup>2</sup> K=1,5 m/s <sup>2</sup>
	Pega traseira	2,2 m/s <sup>2</sup> K=1,5 m/s <sup>2</sup>

- As definições apresentadas anteriormente são testadas e medidas equipadas com a cabeça motora PH1400E;
- O valor total declarado da vibração foi medido de acordo com um método de teste padrão e pode ser usado para comparar duas ferramentas;
- O valor total declarado da vibração também pode ser usado numa avaliação preliminar da exposição.

**AVISO:** A emissão de vibrações durante a utilização da ferramenta elétrica pode diferir do valor declarado em que a ferramenta é usada. De modo a proteger o utilizador, este deverá utilizar luvas e proteção auditiva nas condições atuais de utilização.

## LISTA DE PEÇAS

NOME DA PEÇA	QUANTIDADE
Acessório aparador	1
Chave de Fendas	1
Chave multifunções	1
Perno	2
Manual de funcionamento	1

### Lâmina recomendada

NOME DA PEÇA	NÚMERO DO MODELO
Lâmina do aparador	AEB0800

## DESCRIÇÃO

### CONHECER O SEU ACESSÓRIO APARADOR (Imagem A)

1. Tampão da extremidade
2. Eixo do aparador
3. Proteção da lâmina
4. Lâmina
5. Manipulo de ajuste da profundidade
6. Roda guia
7. Chave sextavada
8. Chave multifunções
9. Barra guia de ajuste da profundidade
10. Aba dos resíduos
11. Perno
12. Parafuso para fixar a placa guia no respetivo lugar
13. Placa guia

## MONTAR

**AVISO:** Se quaisquer peças estiverem danificadas ou em falta não utilize este produto até as peças serem substituídas. Utilizar este produto com peças danificadas ou em falta pode dar origem a lesões pessoais sérias.

**AVISO:** Não tente modificar este produto nem criar acessórios que não sejam recomendados para utilizar com este aparador de fio. Qualquer alteração ou modificação é considerada uma má utilização e pode dar origem a perigos, que podem levar a possíveis lesões pessoais sérias.

**AVISO: AVISO: Não ajuste a proteção da lâmina.** A proteção da lâmina foi configurada de fábrica de modo a que a seta na proteção e o lado aberto fiquem virados na direção oposta ao operador. Isto assegura que o material cortado e outros resíduos são direcionados para longe da ferramenta elétrica e do operador.

### LIGAR O ACESSÓRIO APARADOR À CABEÇA MOTORA

Este acessório aparador foi criado para ser usado com a cabeça motora EGO de 56V de ião e lítio PH1400E.

Consulte a secção “**INSTALAR UM ACESSÓRIO NA CABEÇA MOTORA**” no manual de utilização da cabeça motora PH1400E.

## FUNCIONAMENTO

**AVISO:** Não deixe que a sua familiaridade com o produto o torne descuidado. Lembre-se, uma fração de segundo de desatenção é suficiente para infligir ferimentos graves.

**AVISO:** Utilize sempre proteções oculares com escudos laterais. Juntamente com proteção auditiva. O não cumprimento pode resultar na projeção de objetos para os olhos e outros possíveis ferimentos graves.

### APLICAÇÕES

Podem utilizar este produto para os objetivos abaixo listados:

- Aparar a relva nos passeios, lancis, canteiros e outras áreas semelhantes.

**AVISO:** A ferramenta tem de ser usada apenas conforme descrito. Qualquer outra utilização será considerada má utilização.

### Antes de cada utilização, verifique se existem peças gastas/danificadas.

Verifique a cabeça de choque, proteção, pega dianteira e substitua as peças rachadas, torcidas, dobradas ou danificadas de algum modo.

**AVISO:** Para evitar lesões pessoais sérias, retire a bateria antes da reparação, limpeza, mudança de acessórios ou remoção de material da unidade.

### USAR O ACESSÓRIO APARADOR COM A CABEÇA MOTORA

**AVISO:** Vista-se adequadamente para reduzir o risco de lesões quando utilizar este aparelho. Não utilize roupa larga ou jóias. Use proteções oculares e auditivas. Use calças compridas e resistentes, mangas compridas, botas e luvas. Não utilize roupa curta, sandálias nem ande descalço. Use uma máscara para o rosto ou máscara do pó em locais poeirentos.

**AVISO:** Elimine todos os obstáculos e objetos sólidos da área de trabalho.

Por razões de segurança e para um melhor funcionamento, coloque a alça para os ombros. Ajuste a alça numa posição de funcionamento confortável.

Segure o aparador com a mão direita na pega traseira e a mão esquerda na pega dianteira. Agarre firmemente com ambas as mãos durante a utilização da ferramenta. Deve segurar o aparador numa posição confortável, mantendo a pega traseira sensivelmente à altura da anca (Imagem B).

**AVISO:** A alça para o ombro é também um mecanismo de libertação rápida em situações perigosas. Quando ocorre uma emergência, retire-a imediatamente do seu ombro, não importa o modo como a alça se encontra.

## Após cada utilização, limpe o aparador.

Consulte a secção MANUTENÇÃO para obter instruções de limpeza.

### AJUSTAR A PROFUNDIDADE DE CORTE

1. Pare o motor e retire a bateria.
2. Desaperte o manipulador de ajuste da profundidade na direção da seta de desbloquear assinalada no manipulador (Imagem C).
3. Mova a roda guia ao longo da barra de orientação de ajuste da profundidade para cima para aumentar a profundidade de corte, ou para baixo para diminuir a profundidade (Imagem D).
4. Ajuste a roda guia de modo a que a lâmina toque apenas no chão ou entre pela superfície do solo não mais do que 5 mm (Imagem E) e depois aperte bem.
5. Estando na posição normal de trabalho, verifique de novo a profundidade de corte e corrija, se necessário.

### LIGAR/DESLIGAR A FERRAMENTA

Consulte a secção “LIGAR/DESLIGAR A CABEÇA MOTORA” no manual de utilização da cabeça motora PH1400E.

### DICAS DE FUNCIONAMENTO

- Segure e oriente a cabeça motora de modo a que a lâmina fique na vertical. Use o ângulo de visão para alinhar a lâmina com a extremidade do leito (Imagem F).
- Trabalhe a um ritmo normal. Se a lâmina começar a engonhar, significa que está a trabalhar demasiado depressa. Abrande o seu ritmo.
- Ande sempre para a frente quando cortar, e mova o aparador para a frente. Não puxe o aparador na sua direção.
- Não force a lâmina no chão. É aceitável um ligeiro contacto da lâmina com a extremidade do passeio, lancil, etc., e não danifica o aparador.
- Obtém melhores resultados quando a relva estiver seca. Evite aparar solo molhado ou áreas com relva molhada, pois a proteção da lâmina pode ficar obstruída e dar origem a extremidades desniveladas. Se a proteção da lâmina ficar obstruída, pare o motor, retire a bateria e retire os resíduos da proteção da lâmina.

## MANUTENÇÃO

**AVISO:** Antes de inspecionar, limpar ou reparar a unidade, pare o motor, espere que todas as peças móveis parem por completo e retire a bateria. O não seguimento destas instruções pode dar origem a lesões corporais sérias ou danos de propriedade.

**AVISO:** Quando fizer reparações, utilize apenas peças sobressalentes idênticas. Inspeccione e efetue a manutenção da máquina com regularidade. Para assegurar a segurança e bom funcionamento, todas as reparações deverão ser efetuadas por um técnico de reparação qualificado.

### MANUTENÇÃO GERAL

Evite usar solventes quando limpar peças de plástico. Grande parte dos plásticos é susceptível a danos devido a vários tipos de solventes comerciais. Use panos limpos para retirar a sujidade, pó, óleo, gordura, etc.

### LIMPEZA DA UNIDADE

- Após cada utilização, limpe os resíduos, obstruções ou relva na lâmina e na proteção com uma escova suave. Limpe a superfície do aparador com um pano limpo embebido numa solução neutra de sabão.
- Utilize uma pequena escova ou a descarga de ar de uma pequena escova aspiradora para desobstruir as entradas de ar na estrutura traseira.

**AVISO:** Não utilize detergentes fortes na estrutura de plástico ou na pega. Estes podem ser danificados por determinados óleos aromáticos, como pinho e limão.

### SUBSTITUIÇÃO DA LÂMINA

**AVISO:** Não tente reforçar ou soldar lâminas rachadas. Estas podem partir. Têm de ser substituídas. Recomendamos a substituição apenas por uma lâmina aparadora EGO. Consulte a secção “Lâmina recomendada”.

**AVISO:** Substitua a lâmina se o seu comprimento já não for suficiente para manter o espaço necessário até ao chão e obter a profundidade de corte desejada.

**AVISO:** Proteja sempre as suas mãos usando luvas resistentes ou embrulhando a lâmina com trapos ou com outros materiais quando efetuar qualquer manutenção na lâmina do aparador.

### Retirar a lâmina

1. Pare o motor e retire a bateria.
2. Coloque o aparador de costas, de modo a que a lâmina fique virada para cima.
3. Use luvas de proteção. Use um alicate de nariz de agulha (não incluído) para remover o perno do eixo do motor (Imagem G).

- Rode a lâmina para alinhar a ranhura no rebordo com o orifício na estrutura do carroto (Imagem G).

Imagem G: descrição das peças apresentada abaixo:

G-1	Perno
G-2	Rebordo interior
G-3	Estrutura do carroto

- Insira a chave sextavada fornecida nos orifícios alinhados para agir como estabilizador. Use uma chave multifunções fornecida para desapertar a porca **NO SENTIDO DOS PONTEIROS DO RELÓGIO** (Imagem H).
- Retire a porca, rebordo exterior, lâmina e rebordo interior do eixo do motor (Imagem I). Verifique e substitua-os se estiverem gastos.

Imagem I: descrição das peças apresentada abaixo:

I-1	Eixo do motor	I-5	Lâmina
I-2	Rebordo interior	I-6	Rebordo exterior
I-3	Ranhura no rebordo interior	I-7	Porca
I-4	Saliência no rebordo interior	I-8	Perno

### Instalar a lâmina

- Coloque o rebordo interior no eixo do motor com a saliência virada para fora (Imagem I).
- Instale a lâmina nova no rebordo interior, certificando-se de que a lâmina está bem montada no respetivo lugar (Imagem J).
- Monte o rebordo exterior e a porca no eixo e pré-aperte a porca à mão **NO SENTIDO INVERSO AO DOS PONTEIROS DO RELÓGIO**.
- Siga os passos anteriores 4 e 5 em "Retirar a lâmina" para estabilizar a lâmina e apertar bem a porca **NO SENTIDO INVERSO AO DOS PONTEIROS DO RELÓGIO**.
- Insira um novo perno fornecido no orifício no eixo do motor. Dobre os dois pés do perno em direções opostas com um alicate de nariz de agulha (não incluído) (Imagem G).

### SUBSTITUIR A RODA GUIA

- Pare o motor e retire a bateria.
- Coloque o aparador de costas, de modo a que a roda guia fique virada para cima.
- Desaperte o manípulo de ajuste da profundidade na direção da seta de desbloquear assinalada no manípulo, e retire-o.

- Retire a anilha de mola, anilha plana 1, roda guia, casquilho e anilha plana 2 da haste do parafuso (Imagem K). Verifique e substitua-os se estiverem gastos.
- Monte primeiro a haste do parafuso através da barra guia de ajuste da profundidade, depois monte a anilha plana 2, casquilho e a nova roda, depois monte a anilha plana 1, anilha de mola e manípulo de ajuste da profundidade na haste do parafuso na sequência apresentada na Imagem K.

Imagem K: descrição das peças apresentada abaixo:

K-1	Manípulo de ajuste da profundidade	K-5	Casquilho
K-2	Anilha de mola	K-6	Anilha plana 2
K-3	Anilha plana 1	K-7	Haste do parafuso
K-4	Roda guia	K-8	Barra guia de ajuste da profundidade

**AVISO:** A barra guia deverá ser montada com as abas planas viradas para dentro (Imagem L).

Imagem L: descrição das peças apresentada abaixo:

L-1	Parafusos	L-3	Aba dos resíduos
L-2	Aba plana	L-4	Quadro de fixação

- Fixe o manípulo de ajuste da profundidade.

### SUBSTITUIR A ABA DOS RESÍDUOS (Imagem L)

- Pare o motor e retire a bateria.
- Use a chave sextavada fornecida para desapertar os dois parafusos.
- Retire os parafusos, quadro de fixação e aba dos resíduos gastos.
- Substitua por uma nova aba dos resíduos e fixe com o quadro de fixação e os dois parafusos.

### VERIFICAR E SUBSTITUIR A PROTEÇÃO ANTI-DESGASTE/PLACA GUIA (Imagem M)

Verifique a proteção anti-desgaste e a placa guia quanto a danos antes de ligar a ferramenta elétrica. A proteção anti-desgaste tem de ser substituída mal a caixa dos carretos fique visível.

**AVISO:** A caixa dos carretos pode ficar seriamente danificada se não substituir a proteção anti-desgaste mal a caixa dos carretos fique visível.

- Pare o motor e retire a bateria.
- Use luvas de proteção. Rode a lâmina conforme necessário para expor os dois parafusos.
- Use a chave sextavada fornecida para desapertar os dois parafusos, e retire-os.

PT

**AVISO:** Se precisar de substituir apenas a placa guia, desaperte e retire apenas o parafuso 1.

- Substitua a proteção anti-desgaste/placa guia deformada ou gasta.
- Monte a nova proteção anti-desgaste/placa guia na caixa dos carretos e fixe com os dois parafusos.

Imagem M: descrição das peças apresentada abaixo:

M-1	Parafuso 1	M-4	Proteção anti-desgaste
M-2	Placa guia	M-5	Orifícios de montagem
M-3	Parafuso 2	M-6	Caixa dos carretos

PT

### RETIRAR A PLACA GUIA

Se tiver experiência com este tipo de aparador, ou se achar que a placa guia é um estorvo ao aparar, pode retirá-la.

- Desaperte e retire o parafuso 1.
- Retire a placa guia.
- Volte a colocar e aperte o parafuso 1.

### LUBRIFICAÇÃO DOS CARRETOS DE TRANSMISSÃO

Os carretos de transmissão na caixa dos carretos têm de ser lubrificados periodicamente com lubrificante para carretos. Verifique o nível de lubrificação da caixa dos carretos a cada 50 horas de funcionamento, retirando o parafuso vedante na parte lateral da caixa.

Se não vir qualquer lubrificante nas partes laterais do carreto, siga os passos apresentados em baixo para atestar com lubrificante para carretos até 3/4 da capacidade.

Não encha completamente os carretos de transmissão.

- Coloque o aparador virado para cima, de modo a que o parafuso vedante fique virado para cima (Imagem N).
- Use a chave multifunções fornecida para desapertar e retirar o parafuso vedante. Use uma seringa lubrificante (não incluída) para injetar algum lubrificante no orifício do parafuso. Não exceda 3/4 da capacidade.
- Aperte o parafuso vedante após a injeção.

### GUARDAR A UNIDADE

- Retire a bateria do aparador.
- Limpe bem o aparelho antes de o guardar.
- Se o acessório aparador for retirado da cabeça motora e guardado em separado, coloque a tampa da extremidade no eixo do acessório para evitar que entre sujidade no acoplador.
- Armazene a unidade num local seco, bem ventilado, trancado ou elevado, fora do alcance das crianças. Não armazene a unidade em cima ou perto de fertilizantes, gasolina ou outros químicos.

### Proteção do ambiente



Não elimine o equipamento elétrico, o carregador da bateria e as baterias/ baterias recarregáveis juntamente com o lixo doméstico comum!

De acordo com a norma europeia 2002/19/UE, o equipamento elétrico e eletrónico que deixe de ser usado e de acordo com a norma europeia 2006/66/CE, as baterias gastas ou defeituosas têm de ser recolhidas em separado.

Se os equipamentos elétricos forem eliminados em aterros ou lixeiras, substâncias perigosas podem vazarem para os lençóis freáticos e entrar na cadeia de alimentação, danificando a sua saúde e bem-estar.

## DECLARAÇÃO DE CONFORMIDADE CE

Nós, EGO EUROPE GMBH

Wahlwiesenstrasse 1, D-71711 Steinheim an der Murr Deutschland

Declara que o produto **acessório do aparador sem fios de ião e lítio de 56V EA0800**, equipado com a cabeça motora PH1400E.

Se encontra em conformidade com as normas essenciais e segurança e saúde das seguintes directivas:

2006/42/CE, 2014/30/UE, 2011/65/UE, 2000/14/CE

Normas e características técnicas relativas a:

EN 60745-1, ISO 11789-1, EN 55014-1, EN 55014-2

Nível de potência do som medido: 92,4 dB(A),

Nível de potência de som garantido: 95 dB(A)

Peter Melrose  
Administrador da  
EGO Europe GmbH

Dong Jianxun  
Gestor de Qualidade da  
Chervon

\* (Representante autorizado da CHERVON e responsável pela documentação técnica)

01/12/2016

## RESOLUÇÃO DE PROBLEMAS

PROBLEMA	CAUSA	SOLUÇÃO
O motor não arranca.	<ul style="list-style-type: none"> <li>■ A bateria não foi colocada na cabeça motora.</li> <li>■ Não existe contacto elétrico entre a cabeça motora e a bateria.</li> <li>■ A bateria está gasta.</li> <li>■ A botton de bloqueio e o gatilho não foram premidos em simultâneo.</li> </ul>	<ul style="list-style-type: none"> <li>■ Fixe a bateria na cabeça motora.</li> <li>■ Retire a bateria, verifique os contactos e volte a instalar a bateria até ficar fixada no respetivo lugar.</li> <li>■ Carregue a bateria com carregadores EGO listados neste manual.</li> <li>■ Prima a alavanca de bloqueio e mantenha premida, depois prima o gatilho para ligar o aparador de fio.</li> </ul>
A cabeça motora pára durante o funcionamento.	<ul style="list-style-type: none"> <li>■ O motor está sobrecarregado.</li> <li>■ A bateria ou cabeça motora estão muito quentes.</li> <li>■ A bateria foi retirada da ferramenta.</li> <li>■ A bateria está gasta.</li> </ul>	<ul style="list-style-type: none"> <li>■ O motor recupera quando a carga for retirada. Para um funcionamento contínuo, diminua a carga da cabeça motora.</li> <li>■ Deixe a bateria ou a cabeça motora arrefecer até que a temperatura atinja menos de 152°F (67 °C).</li> <li>■ Volte a colocar a bateria.</li> <li>■ Carregue a bateria com carregadores EGO listados neste manual.</li> </ul>
Extremidades desniveladas	<ul style="list-style-type: none"> <li>■ A relva ou o solo está muito molhado.</li> <li>■ A proteção da lâmina está obstruída.</li> </ul>	<ul style="list-style-type: none"> <li>■ Evite aparar solo ou relva molhada.</li> <li>■ Pare o motor, retire a bateria e retire os resíduos da proteção da lâmina.</li> </ul>

PT

## GARANTIA

### POLÍTICA DE GARANTIA EGO

Por favor, visite o website [egopowerplus.com](http://egopowerplus.com) para saber todos os termos e condições da política de garantia EGO.

## LEGGERE TUTTE LE ISTRUZIONI!



### LEGGERE IL MANUALE DI ISTRUZIONI

**⚠️ Rischi residui!** Le persone portatrici di dispositivi elettronici, ad esempio pacemaker, devono consultare il proprio medico prima di usare questo prodotto. L'utilizzo di apparecchi elettrici in prossimità di pacemaker cardiaci comporta il rischio di interferenze o malfunzionamento del pacemaker.

**⚠️ AVVERTENZA!** Per garantire sicurezza e affidabilità, tutte le riparazioni e sostituzioni devono essere eseguite da un tecnico qualificato.

## SIMBOLI DI SICUREZZA

Lo scopo dei simboli di sicurezza è attirare l'attenzione dell'operatore su possibili pericoli. I simboli di sicurezza e le relative spiegazioni richiedono la massima attenzione e comprensione da parte dell'operatore. Le avvertenze espresse dai simboli, da sole, non eliminano tutti i rischi. Le istruzioni e le avvertenze non sostituiscono le adeguate misure di prevenzione contro gli incidenti.

**⚠️ AVVERTENZA!** Accertarsi di aver letto e compreso tutte le istruzioni di sicurezza in questo manuale, inclusi tutti i simboli di avvertenza come "PERICOLO", "AVVERTENZA" e "ATTENZIONE", prima di usare questo apparecchio. Il mancato rispetto di tutte le istruzioni elencate di seguito comporta il rischio di scossa elettrica, incendio e/o lesioni gravi.

## SIGNIFICATO DEI SIMBOLI

**⚠️ AVVERTENZA DI SICUREZZA:** Indica **PERICOLO**, **AVVERTENZA** o **ATTENZIONE**. Può essere usato in combinazione con altri simboli.

**⚠️ AVVERTENZA!** L'uso di apparecchi elettrici può causare il lancio di oggetti estranei verso l'operatore, con il rischio di gravi lesioni agli occhi. Durante l'uso dell'apparecchio, indossare sempre occhiali protettivi o occhiali di sicurezza con protezioni laterali e, se necessario, una maschera facciale. Si consiglia di indossare una maschera di sicurezza con ampio campo visivo sopra gli occhiali o gli occhiali di sicurezza standard con protezioni laterali.

## ISTRUZIONI DI SICUREZZA

Questa pagina illustra e descrive i simboli di sicurezza che possono comparire sul prodotto. Leggere, comprendere e seguire tutte le istruzioni sull'apparecchio prima di tentare di assemblarlo e ripararlo.

	Avvertenza di sicurezza	Indica un potenziale rischio di infortunio.
	Leggere il manuale di istruzioni	Per ridurre il rischio di infortunio, l'utente deve leggere e comprendere tutte le istruzioni prima di usare questo prodotto.
	Indossare dispositivi di protezione per gli occhi e le orecchie	Durante l'uso del prodotto, indossare sempre occhiali di sicurezza con protezioni laterali e una maschera facciale.
	Tenere le altre persone a distanza di sicurezza	Assicurarsi che eventuali altre persone e animali rimangano a distanza di sicurezza dal bordatore quando è in funzione.
	Direzione di rotazione della lama del bordatore	Indica la direzione di rotazione della lama del bordatore.
	Oggetti proiettati	Ispezionare accuratamente l'area di lavoro e rimuovere eventuali pietre, rami, cavi, ossi e altri oggetti estranei.
	Lama di taglio rotante	Non posizionare mani o piedi in prossimità o sotto le parti rotanti.
	Non esporre alla pioggia	Non usare l'apparecchio in caso di pioggia e non lasciarlo all'aperto quando piove.
	CE	Questo prodotto è conforme alle direttive europee applicabili.
	RAEE	I prodotti elettrici non devono essere smaltiti insieme ai rifiuti domestici. Portarli presso un centro di riciclaggio autorizzato.



	Rumore	Livello di potenza sonora garantito. Emissione di rumore nell'ambiente conforme alla direttiva dell'Unione europea.
V	Volt	Voltaggio
mm	Millimetro	Lunghezza o dimensioni
cm	Centimetro	Lunghezza o dimensioni
kg	Chilogrammo	Peso
	Corrente continua	Tipo o caratteristica della corrente

### ISTRUZIONI DI SICUREZZA IMPORTANTI

**AVVERTENZA!** Durante l'uso del decespugliatore è necessario rispettare alcune elementari norme di sicurezza per ridurre il rischio di incendio, scossa elettrica e infortunio, tra cui le seguenti:

#### LEGGERE ATTENTAMENTE PRIMA DELL'USO.

#### CONSERVARE PER RIFERIMENTO FUTURO.

**PERICOLO!** Non affidarsi esclusivamente all'isolamento dell'apparecchio contro le scosse elettriche. Per ridurre il rischio di folgorazione, non usare mai l'apparecchio in prossimità di fili o cavi (alimentazione, ecc.) che possono condurre corrente elettrica.

**ATTENZIONE!** Indossare adeguati dispositivi di protezione per le orecchie durante l'uso. In alcune circostanze e a seconda della durata di utilizzo, il rumore emesso da questo apparecchio può contribuire alla perdita dell'udito.

#### Formazione all'uso dell'apparecchio

- Leggere attentamente le istruzioni. Familiarizzare con tutti i comandi e l'uso corretto della macchina.
- Non fare mai utilizzare l'apparecchio a bambini o a persone che non conoscono bene come fare funzionare l'apparecchio. Normative locali possono limitare l'uso in base all'età.
- Non usare l'apparecchio se sono presenti persone, soprattutto bambini, o animali nelle vicinanze.
- Tenere presente che l'operatore o utente è responsabile per incidenti o rischi causati ad altre persone o proprietà.

#### Preparazione

- Durante l'uso, indossare dispositivi di protezione per gli occhi e le orecchie, calzature robuste e pantaloni lunghi.

- Ispezionare accuratamente l'area di lavoro e rimuovere eventuali pietre, rami, cavi, ossi e altri oggetti estranei.
- Prima dell'uso, ispezionare visivamente l'apparecchio per verificare che le lame, i bulloni delle lame e il gruppo di taglio non siano usurati o danneggiati. Se le lame o i bulloni sono usurati o danneggiati, sostituire sempre tutto il gruppo per mantenere l'apparecchio bilanciato.

#### Funzionamento

- Usare l'apparecchio solo alla luce del giorno o con una buona illuminazione artificiale.
- Puntare bene i piedi sui terreni pendenti.
- Camminare e non correre.
- Prestare particolare attenzione quando si inverte la direzione dell'apparecchio o lo si tira verso di sé.
- Accertarsi che la lama sia ferma prima attraversare superfici non erbose o durante il trasporto da/verso l'area di lavoro.
- Non usare l'apparecchio se i dispositivi di protezione sono mancanti, difettosi o installati in modo scorretto.
- Non modificare le impostazioni predefinite del motore e non utilizzarlo a una velocità eccessiva.
- Avviare il motore con attenzione e conformemente alle istruzioni, tenendo i piedi lontani dalla lama.
- Non avviare il motore se una persona è presente di fronte alla lama.
- Non posizionare mani o piedi in prossimità o sotto le parti rotanti.
- Arrestare il motore e scollegare la batteria:
  - 1) prima di eliminare un'ostruzione;
  - 2) prima di controllare, pulire o eseguire lavori sulla lama;
  - 3) dopo aver colpito un oggetto estraneo (assicurarsi che la lama non sia danneggiata e riparare l'apparecchio prima di riutilizzarlo);
  - 4) in caso di vibrazioni anomale (controllare immediatamente).
- Arrestare il motore prima di lasciare l'apparecchio incustodito.
- Non ricaricare il gruppo batteria sotto la pioggia o in luoghi umidi.
- Usare il decespugliatore esclusivamente con i gruppi batteria e caricabatteria elencati di seguito.

BATTERIA	CARICABATTERIA
BA1120E, BA2240E, BA2800, BA3360, BA4200	CH2100E CH5500E

- Il gruppo batteria deve essere rimosso dall'apparecchio prima che sia smaltito.
- La batteria deve essere smaltita in modo sicuro.
- Non gettare la batteria nel fuoco perché le celle potrebbero esplodere. Contattare le autorità locali per eventuali istruzioni di smaltimento specifiche.
- Non aprire o mutilare la batteria. Gli elettroliti rilasciati sono corrosivi e possono danneggiare gli occhi o la pelle o essere tossici se ingeriti.
- Prestare attenzione durante la manipolazione delle batterie per evitare il contatto con materiali conduttivi come anelli, braccialetti e chiavi. La batteria o il conduttore possono surriscaldarsi e causare ustioni.
- Gli apparecchi a batteria non hanno bisogno di essere collegati a un impianto elettrico; pertanto sono sempre in condizioni operative. Tenere a mente i possibili rischi anche quando l'apparecchio non è in funzione. Prestare attenzione durante le operazioni di manutenzione o riparazione.
- Non pulire l'apparecchio con tubi per innaffiare; evitare le infiltrazioni d'acqua nel motore e nelle connessioni elettriche.

### Manutenzione e conservazione

- Mantenere tutti i dadi, le viti e i bulloni serrati affinché l'apparecchio funzioni in modo sicuro.
- Sostituire i componenti usurati o danneggiati.
- Non tentare di riparare l'apparecchio se non si è competenti.
- Utilizzare esclusivamente accessori e parti di ricambio raccomandati dal costruttore.
- Scollegare la batteria dall'apparecchio prima delle operazioni di pulizia o manutenzione.
- Ispezionare l'apparecchio e sottoporlo a regolare manutenzione. Affidare la riparazione dell'apparecchio esclusivamente a personale autorizzato.
- Quando l'apparecchio non è in uso, riporlo fuori dalla portata dei bambini.
- In caso di situazioni non contemplate in questo manuale, agire con cautela e usare il buon senso. Contattare il centro di assistenza EGO per assistenza.
- Conservare queste istruzioni. Consultarle frequentemente e usarle per istruire gli altri operatori dell'apparecchio. Se si presta l'apparecchio ad altre persone, allegare anche queste istruzioni per evitare l'uso errato dell'apparecchio e il rischio di infortuni.

### CONSERVARE QUESTE ISTRUZIONI!

**NOTA: CONSULTARE IL MANUALE DI ISTRUZIONI DELL'UNITÀ MOTORE PER ULTERIORI AVVERTENZE DI SICUREZZA SPECIFICHE.**

## SPECIFICHE TECNICHE

Lunghezza della lama	20 cm	
Profondità di taglio	Fino a 75 mm	
Peso	2,26 kg	
Livello di potenza sonora misurato $L_{WA}$	92,4 dB(A) K=2,07 dB(A)	
Livello di pressione sonora a livello dell'orecchio dell'operatore $L_{PA}$	79,8 dB(A) K=3 dB(A)	
Livello di potenza sonora garantito $L_{WA}$ (misurato conformemente a 2000/14/EC)	95 dB(A)	
Vibrazioni $a_h$	Impugnatura anteriore ausiliaria	1,2 m/s <sup>2</sup> K=1,5 m/s <sup>2</sup>
	Impugnatura posteriore	2,2 m/s <sup>2</sup> K=1,5 m/s <sup>2</sup>

- I parametri sopra riportati sono stati collaudati e misurati in combinazione con la testa motore PH1400E;
- Il valore totale di vibrazioni indicato è stato misurato tramite il metodo di collaudo standard e può essere utilizzato per confrontare l'apparecchio con altri prodotti analoghi.
- Il valore totale di vibrazioni indicato può essere utilizzato anche per una valutazione preliminare dei livelli di esposizione.

**NOTA:** L'emissione di vibrazioni durante l'uso effettivo dell'apparecchio può variare rispetto al valore indicato in base a come viene utilizzato l'utensile. Per proteggersi, l'operatore deve indossare guanti e dispositivi di protezione per le orecchie in base alle reali condizioni d'uso.

## CONTENUTO DELLA CONFEZIONE

DENOMINAZIONE DEL COMPONENTE	QUANTITÀ
Accessorio bordatore	1
Chiave esagonale	1
Chiave multifunzione	1
Coppiglia	2
Manuale di istruzioni	1

### Lama raccomandata

NOME DEL COMPONENTE	NUMERO MODELLO
Lama per bordatore	AEB0800

## DESCRIZIONE

### DESCRIZIONE DELL'ACCESSORIO BORDATORE (Fig. A)

1. Cappuccio terminale
2. Asta del bordatore
3. Cuffia di protezione
4. Lama
5. Manopola di regolazione della profondità
6. Ruota guida
7. Chiave esagonale
8. Chiave multifunzione
9. Barra guida di regolazione della profondità
10. Parafango
11. Coppiglia
12. Vite di bloccaggio della piastra guida
13. Piastra guida

## ASSEMBLAGGIO

**AVVERTENZA!** In caso di componenti danneggiati o mancanti, non usare l'apparecchio finché i componenti non vengono sostituiti. L'uso dell'apparecchio con componenti danneggiati o mancanti comporta il rischio di lesioni gravi.

**AVVERTENZA!** Non tentare di modificare l'apparecchio o creare accessori non raccomandati per l'uso con questo decespugliatore. Tali alterazioni o modifiche costituiscono un uso improprio e comportano condizioni pericolose e il rischio di lesioni gravi.

**AVVERTENZA!** Non regolare la cuffia di protezione. La cuffia di protezione è stata preinstallata in fabbrica affinché la freccia sulla cuffia e il lato aperto siano rivolti lontano dall'operatore. Ciò assicura che i residui di taglio e altri detriti vengano diretti lontano dall'apparecchio e dall'operatore.

### COLLEGARE L'ACCESSORIO ALL'UNITÀ MOTORE

Questo accessorio bordatore è progettato per l'uso con l'unità motore a batteria li-ion 56 Volt PH1400E.

Consultare la sezione "INSTALLARE UN ACCESSORIO SULL'UNITÀ MOTORE" nel manuale di istruzioni dell'unità motore PH1400E.

## FUNZIONAMENTO

**AVVERTENZA!** La familiarità con questo apparecchio non deve rendere l'operatore disattento. Anche un solo momento di disattenzione comporta il rischio di lesioni gravi.

**AVVERTENZA!** Indossare sempre occhiali di sicurezza con protezioni laterali. Indossare anche protezioni per le orecchie. Il mancato rispetto di questa istruzione comporta il rischio di oggetti proiettati verso gli occhi dell'operatore e altre lesioni gravi.

### DESTINAZIONE D'USO

Questo prodotto può essere usato per gli scopi elencati di seguito.

- Bordatura intorno a vialetti, marciapiedi, aiuole e altre aree similari.

**ATTENZIONE!** Usare l'apparecchio esclusivamente per gli scopi previsti. Altri utilizzi sono da considerarsi uso improprio.

### Prima di ogni utilizzo, verificare l'assenza di componenti danneggiati/usurati

Ispezionare la testa di taglio, la cuffia di protezione e l'impugnatura anteriore ausiliaria e sostituire i componenti incrinati, deformati, piegati o danneggiati in qualsiasi modo.

**AVVERTENZA!** Per evitare lesioni gravi, rimuovere il gruppo batteria dall'apparecchio prima di pulirlo o ripararlo e prima di sostituire gli accessori o rimuovere del materiale dall'apparecchio.

### USARE L'ACCESSORIO BORDATORE CON L'UNITÀ MOTORE

**AVVERTENZA!** Vestirsi adeguatamente per ridurre il rischio di infortunio durante l'uso dell'apparecchio. Non indossare indumenti ampi o gioielli. Indossare dispositivi di protezione per gli occhi/orecchie. Indossare pantaloni lunghi e pesanti, stivali e guanti. Non indossare pantaloni corti o sandali e non usare l'apparecchio a piedi nudi. Indossare una maschera facciale o antipolvere in ambienti polverosi.

**AVVERTENZA!** Rimuovere tutti gli ostacoli e gli oggetti estranei dall'area di lavoro.

Per un funzionamento efficiente e sicuro, indossare la tracolla sulla spalla. Regolare la tracolla in una posizione operativa comoda.

Tenere il bordatore con la mano destra sull'impugnatura posteriore e con la mano sinistra sull'impugnatura anteriore. Mantenere una presa salda con entrambe le mani durante l'uso dell'apparecchio. Tenere il bordatore in una posizione confortevole con l'impugnatura posteriore all'altezza del fianco (Fig. B).

**⚠ AVVERTENZA!** La tracolla funziona anche da meccanismo di rilascio rapido in situazioni di pericolo. In caso di emergenza, sfilarla immediatamente dalla spalla, indipendentemente dalla sua modalità di fissaggio.

## Pulire il bordatore dopo ogni utilizzo

Consultare la sezione MANUTENZIONE per le istruzioni relative alla pulizia.

## REGOLARE LA PROFONDITÀ DI TAGLIO

1. Arrestare il motore e rimuovere il gruppo batteria.
2. Allentare la manopola di regolazione della profondità ruotandola in direzione della freccia di sbloccaggio riportata sulla manopola (Fig. C).
3. Spostare la ruota guida lungo la barra guida di regolazione della profondità, verso l'alto per aumentare la profondità di taglio o verso il basso per diminuirla (Fig. D).
4. Regolare la ruota guida affinché la lama tocchi appena il terreno o penetri fino a un massimo di 5 mm (Fig. E), quindi serrarla saldamente.
5. Assumere la normale posizione di lavoro, controllare nuovamente la profondità di taglio e correggerla se necessario.

## AVVIARE/ARRESTARE L'APPARECCHIO

Consultare la sezione "INSTALLAZIONE DELL'ACCESSORIO SULL'UNITÀ MOTORE" nel manuale di istruzioni dell'unità motore PH1400E.

## SUGGERIMENTI DI UTILIZZO

- Tenere e guidare l'unità motore affinché la lama sia verticale. Utilizzare la direttrice visiva per allineare la lama con il bordo da regolare (Fig. F).
- Muovere l'apparecchio seguendo il naturale ritmo della camminata. Se la lama inizia a impantanarsi, la velocità è eccessiva; rallentare.
- Camminare sempre in avanti durante il taglio e muovere il bordatore in avanti. Non tirare il bordatore verso di sé.
- Non forzare il bordatore nel terreno. Un leggero contatto della lama contro il bordo del marciapiede, vialetto, ecc. è accettabile non danneggerà il bordatore.
- I migliori risultati si ottengono con l'erba asciutta. Evitare di usare l'apparecchio con il terreno umido o in aree erbose umide perché la cuffia di protezione potrebbe ostruirsi e causare un taglio irregolare. Se la cuffia di protezione si ostruisce, arrestare il motore, rimuovere il gruppo batteria e rimuovere i detriti dalla cuffia di protezione.

## MANUTENZIONE

**⚠ AVVERTENZA!** Prima di ispezionare, pulire o regolare l'unità, arrestare il motore, attendere che tutte le parti mobili si arrestino e rimuovere il gruppo batteria. Il mancato rispetto di questa avvertenza comporta il rischio di danni o lesioni gravi.

**⚠ AVVERTENZA!** Per la riparazione dell'apparecchio, usare esclusivamente parti di ricambio identiche. Ispezionare l'apparecchio ed effettuare la manutenzione regolarmente. Per garantire sicurezza e affidabilità, tutte le riparazioni e sostituzioni devono essere eseguite da un tecnico qualificato.

## MANUTENZIONE GENERALE

Evitare l'uso di solventi durante la pulizia delle parti in plastica. La maggior parte dei materiali plastici può essere danneggiata da diversi tipi di solventi in commercio. Usare un panno pulito per rimuovere sporcizia, polvere, olio, grasso, ecc.

## PULIZIA DELL'APPARECCHIO

- Dopo ogni utilizzo, rimuovere detriti, terreno o erba dalla lama e dalla cuffia di protezione con una spazzola morbida. Pulire la superficie del bordatore con un panno pulito inumidito con acqua saponata.
- Usare una piccola spazzola o un piccolo aspirapolvere per pulire le aperture di ventilazione sul vano motore.

**ATTENZIONE!** Non usare detergenti aggressivi sulle superfici esterne in plastica o sull'impugnatura perché possono essere danneggiate da alcuni oli aromatici, come pino e limone.

## SOSTITUZIONE DELLA LAMA

**⚠ AVVERTENZA!** Non tentare di raddrizzare o saldare una lama piegata o incrinata perché potrebbe rompersi; deve essere sostituita. Si raccomanda di sostituirla esclusivamente con lame per bordatori EGO, come indicato alla sezione "Lama raccomandata".

**ATTENZIONE!** Sostituire la lama se la sua lunghezza non è più sufficiente per mantenere la necessaria distanza dal terreno e ottenere la profondità di taglio richiesta.

**⚠ AVVERTENZA!** Proteggere le proprie mani indossando guanti robusti o avvolgendo la lama con stracci o altri materiali durante le operazioni di manutenzione sulla lama del bordatore.

## Rimuovere la lama

1. Arrestare il motore e rimuovere il gruppo batteria.

2. Stendere il bordatore in modo che la lama sia rivolta verso l'alto.
3. Indossare guanti di protezione. Usare una pinza ad ago (non inclusa) per rimuovere la coppiglia dall'albero motore (Fig. G).
4. Ruotare la lama fino ad allineare la fessura nella flangia con il foro nella scatola degli ingranaggi.

Descrizione delle parti in Fig. G:

G-1	Coppiglia
G-2	Flangia interna
G-3	Scatola degli ingranaggi

5. Inserire la chiave esagonale fornita nei fori allineati come stabilizzatore. Usare la chiave multifunzione fornita per allentare il dado ruotandolo in **SENSO ORARIO** (Fig. H).
6. Rimuovere il dado, la flangia esterna, la lama e la flangia interna dall'albero motore (Fig. I). Controllarli e sostituirli se sono usurati.

Descrizione delle parti in Fig. I:

I-1	Albero motore	I-5	Lama
I-2	Flangia interna	I-6	Flangia esterna
I-3	Fessura nella flangia interna	I-7	Dado
I-4	Sporgenza sulla flangia interna	I-8	Coppiglia

### Installare la lama

1. Posizionare la flangia interna sull'albero motore con la sporgenza rivolta verso l'esterno (Fig. I).
2. Installare la lama nuova sulla flangia interna, assicurandosi che la lama sia fissata saldamente (Fig. J).
3. Posizionare la flangia esterna e il dado sull'albero, e serrare il dado leggermente ruotandolo a mano in **SENSO ANTIORARIO**.
4. Seguire i passaggi 4 e 5 della sezione precedente "Rimuovere la lama" per stabilizzare la lama e serrare il dado saldamente ruotandolo in **SENSO ANTIORARIO**.
5. Inserire la nuova coppiglia fornita nel foro sull'albero motore. Piegare le due estremità del perno in direzione opposta con una pinza ad ago (non inclusa) (Fig. G).

### SOSTITUZIONE DELLA RUOTA GUIDA

1. Arrestare il motore e rimuovere il gruppo batteria.
2. Stendere il bordatore in modo che la ruota guida sia rivolta verso l'alto.

3. Allentare la manopola di regolazione della profondità ruotandola in direzione della freccia di sbloccaggio riportata sulla manopola e rimuoverla.
4. Rimuovere la rondella a molla, la rondella piana 1, la ruota guida, la boccola e la rondella piana 2 dal perno (Fig. K). Controllarle e sostituirle se sono usurate.
5. Inserire per primo il perno nella barra guida di regolazione della profondità, quindi posizionare la rondella piana 2, la boccola e la ruota nuova, quindi posizionare la rondella piana 1, la rondella a molla e la manopola di regolazione della profondità sul perno nella sequenza illustrata in Fig. K.

Descrizione delle parti in Fig. K:

K-1	Manopola di regolazione della profondità	K-5	Boccola
K-2	Rondella a molla	K-6	Rondella piana 2
K-3	Rondella piana 1	K-7	Perno
K-4	Ruota guida	K-8	Barra guida di regolazione della profondità

**ATTENZIONE!** La ruota guida deve essere installata con i rilievi piatti rivolti verso l'interno (Fig. L).

Descrizione delle parti in Fig. L:

L-1	Viti	L-3	Parafango
L-2	Rilievi piatti	L-4	Pannello di fissaggio

6. Serrare la manopola di fissaggio.

### SOSTITUZIONE DEL PARAFANGO (Fig. L)

1. Arrestare il motore e rimuovere il gruppo batteria.
2. Usare la chiave esagonale fornita per allentare le due viti.
3. Rimuovere le viti, la piastra di fissaggio e il parafango usurato.
4. Installare un nuovo parafango e fissarlo con la barra di fissaggio e le due viti.

### CONTROLLO E SOSTITUZIONE DELLA PROTEZIONE ANTI-USURA/PIASTRA GUIDA (Fig. M)

Controllare che la cuffia di protezione e la piastra guida non siano danneggiate prima di avviare l'apparecchio. La protezione anti-usura deve essere sostituita non appena la scatola degli ingranaggi diventa visibile.

**ATTENZIONE!** La scatola degli ingranaggi può subire gravi danni se la protezione anti-usura non viene sostituita non appena la scatola degli ingranaggi diventa visibile.

1. Arrestare il motore e rimuovere il gruppo batteria.

2. Indossare guanti di protezione. Ruotare la lama, se necessario, per scoprire le due viti.
3. Usare la chiave esagonale fornita per allentare le due viti, quindi rimuoverle.

**ATTENZIONE!** Se è necessario sostituire solo la piastra guida, allentare e rimuovere esclusivamente la vite 1.

4. Sostituire la protezione anti-usura/piastra guida deformata o usurata.
5. Installare la protezione anti-usura e la piastra guida nuove sulla scatola degli ingranaggi e fissarle con le due viti.

Descrizione delle parti in Fig. M:

M-1	Vite 1	M-4	Protezione anti-usura
M-2	Piastra guida	M-5	Fori di fissaggio
M-3	Vite 2	M-6	Scatola degli ingranaggi

## RIMOZIONE DELLA PIASTRA GUIDA

Se si ha esperienza con questo tipo di bordatore, o se la piastra guida è di ostacolo all'operazione di bordatura, è possibile rimuovere la piastra guida.

1. Allentare e rimuovere la vite 1.
2. Rimuovere la piastra guida.
3. Riposizionare e serrare la vite 1.

## LUBRIFICAZIONE DEGLI INGRANAGGI DI TRASMISSIONE

Gli ingranaggi di trasmissione nella scatola degli ingranaggi devono essere lubrificati periodicamente con del grasso per ingranaggi. Controllare il livello del grasso della scatola degli ingranaggi ogni 50 ore di utilizzo rimuovendo la vite sigillante sul lato della scatola.

Se ai lati dell'ingranaggio non è visibile del grasso, seguire i passaggi riportati di seguito per riempirlo di grasso fino ai 3/4 della sua capacità.

Non riempire completamente gli ingranaggi di trasmissione.

1. Posizionare il bordatore in verticale affinché la vite sigillante sia rivolta verso l'alto (Fig. N).
2. Usare la chiave multifunzione fornita per allentare e rimuovere la vite sigillante. Usare una siringa per grasso (non inclusa) per iniettare del grasso nel foro della vite; non superare i 3/4 della capacità.
3. Serrare la vite sigillante dopo il riempimento.

## CONSERVAZIONE DELL'APPARECCHIO

- Rimuovere il gruppo batteria dal bordatore.
- Pulire accuratamente l'apparecchio prima di riporlo.

- Se l'accessorio bordatore viene rimosso dall'unità motore e riposto separatamente, inserire il cappuccio terminale sull'asta dell'accessorio per evitare che la sporcizia penetri nel raccordo.
- Conservare l'apparecchio in un luogo asciutto, ben ventilato, elevato o chiuso a chiave, e fuori dalla portata dei bambini. Non conservare l'apparecchio sopra o in prossimità di fertilizzanti, benzina o altre sostanze chimiche.

IT

### Protezione dell'ambiente



Non smaltire gli apparecchi elettrici, caricabatteria e batterie/batterie ricaricabili insieme ai rifiuti indifferenziati!

Conformemente alle direttive europee 2012/19/EU e 2006/66/CE, i rifiuti di apparecchiature elettriche ed elettroniche, pile e accumulatori devono essere raccolti separatamente e smaltiti nel rispetto dell'ambiente.

Se gli apparecchi elettrici vengono smaltiti nelle discariche, le sostanze pericolose possono infiltrarsi nelle falde acquifere e contaminare la catena alimentare, con effetti dannosi sulla salute e il benessere.

### DICHIARAZIONE DI CONFORMITÀ CE



Il costruttore, EGO EUROPE GMBH  
Wahlwiesenstrasse 1, D-71711 Steinheim an der Murr  
Deutschland

Dichiara che l'accessorio bordatore a batteria li-ion 56 V  
EA0800, dotato di unità motore PH1400E

è conforme ai requisiti essenziali relativi a salute e  
sicurezza fissati dalle seguenti direttive europee:

2006/42/EC, 2014/30/EU, 2011/65/EU, 2000/14/EC

Standard e specifiche tecniche conformi a:

EN 60745-1, ISO 11789-1, EN 55014-1, EN 55014-2

Livello di potenza sonora misurato: 92,4 dB(A),

Livello di potenza sonora garantito: 95 dB(A)

IT

Peter Melrose  
Direttore responsabile di  
EGO Europe GmbH

Dong Jianxun  
Responsabile Qualità  
Chervon

\*\* (Rappresentante autorizzato per CHERVON e responsabile della documentazione tecnica)

01/12/2016

## RISOLUZIONE DEI PROBLEMI

PROBLEMA	CAUSA	SOLUZIONE
Il motore non si avvia.	<ul style="list-style-type: none"> <li>■ Il gruppo batteria non è installato sull'unità motore.</li> <li>■ Nessun contatto elettrico tra l'unità motore e il gruppo batteria.</li> <li>■ Il gruppo batteria è scarico.</li> <li>■ La pulsante di sbloccaggio e l'interruttore a grilletto non sono stati premuti contemporaneamente.</li> </ul>	<ul style="list-style-type: none"> <li>■ Installare il gruppo batteria sull'unità motore.</li> <li>■ Rimuovere la batteria, ispezionare i contatti e reinstallare il gruppo batteria.</li> <li>■ Ricaricare il gruppo batteria con i caricabatteria EGO elencati in questo manuale.</li> <li>■ Tenere premuto il pulsante di sbloccaggio. Premere l'interruttore a grilletto per avviare l'unità motore.</li> </ul>
L'unità motore si arresta durante l'uso.	<ul style="list-style-type: none"> <li>■ Il motore è sovraccarico.</li> <li>■ Il gruppo batteria o l'unità motore sono troppo caldi.</li> <li>■ Il gruppo batteria non è installato sull'apparecchio.</li> <li>■ Il gruppo batteria è scarico.</li> </ul>	<ul style="list-style-type: none"> <li>■ Il motore si riavvierà alla rimozione del carico. Per l'uso continuo, diminuire il carico sull'unità motore.</li> <li>■ Attendere che la temperatura del gruppo batteria o dell'unità motore scenda al di sotto di 67°C (152°F).</li> <li>■ Reinstallare il gruppo batteria.</li> <li>■ Ricaricare il gruppo batteria con i caricabatteria EGO elencati in questo manuale.</li> </ul>
Bordi irregolari	<ul style="list-style-type: none"> <li>■ L'erba o il terreno è troppo umido.</li> <li>■ La cuffia di protezione è ostruita.</li> </ul>	<ul style="list-style-type: none"> <li>■ Evitare l'uso su erba o terreno umido.</li> <li>■ Arrestare il motore, rimuovere il gruppo batteria e rimuovere i detriti dalla cuffia di protezione.</li> </ul>

## GARANZIA

### CONDIZIONI DELLA GARANZIA EGO

Visitare il sito web [egopowerplus.com](http://egopowerplus.com) per consultare le condizioni complete della garanzia EGO.



## LEES ALLE INSTRUCTIES!



### LEES DE GEBRUIKSAANWIJZING

**⚠ Restrisico!** Personen met elektronische apparaten, zoals pacemakers, moeten eerst hun art(sen) raadplegen voordat ze dit product mogen gebruiken. De werking van een elektrisch apparaat in de nabijheid van een pacemaker kan een storing of defect aan de pacemaker veroorzaken.

**⚠ WAARSCHUWING:** Om een continue veiligheid en betrouwbaarheid te waarborgen, dienen alle reparaties en vervangingen van onderdelen uitgevoerd te worden door een vakbekwame reparateur.

## VEILIGHEIDSSYMBOLEN

Het doel van de veiligheidssymbolen is om u te wijzen op mogelijke gevaren. Besteed daarom voldoende aandacht hieraan en begrijp de veiligheidssymbolen en bijbehorende uitleg. De symboolwaarschuwingen op zich elimineren geen enkel gevaar. De gegeven instructies en waarschuwingen gelden niet als vervanging voor gepaste voorzorgsmaatregelen tegen ongevallen.

**⚠ WAARSCHUWING:** Lees en begrijp alle veiligheidsinstructies die in deze gebruikershandleiding zijn vermeld, waaronder alle veiligheidssymbolen zoals "GEVAAR", "WAARSCHUWING", en "OPGELET" voordat u dit apparaat in gebruik neemt. Het negeren van onderstaande instructies kan leiden tot elektrische schokken, brand en/of ernstig persoonlijk letsel.

## BETEKENIS VAN DE SYMBOLEN

**⚠ WAARSCHUWINGSSYMBOL:** Geeft GEVAAR, WAARSCHUWING of OPGELET aan. Kan worden gebruikt in combinatie met andere symbolen of pictogrammen.



**⚠ WAARSCHUWING:** De werking van het apparaat kan leiden tot het rondslingeren van (vreemde) objecten die in uw ogen kunnen terechtkomen. Dit kan leiden tot ernstig oogletsel. Wanneer u elektrische apparaten gebruikt, zorg er dan voor dat u altijd een veiligheidsbril (met zijkusschermen) of een gelaatsscherm draagt. We bevelen aan om een gelaatsscherm over uw bril of standaard veiligheidsbril met zijkusschermen te gebruiken.

## VEILIGHEIDSVORSCHRIFTEN

Deze pagina toont en beschrijft alle veiligheidssymbolen die zich op dit product kunnen bevinden. Lees, begrijp en volg alle instructies op de machine voordat u deze in elkaar zet en gebruikt.

	Veiligheidswaarschuwing	Geeft een risico op persoonlijk letsel aan.
	Lees de gebruikershandleiding	De gebruiker dient de gebruikershandleiding voor het gebruik van dit product te lezen en te begrijpen om risico op letsel te beperken.
	Draag gehoorbescherming en een veiligheidsbril	Draag altijd een veiligheidsbril met zijkusschermen en een gelaatsscherm als u dit product gebruikt.
	Houd omstanders op een veilige afstand	Zorg ervoor dat andere personen en huisdieren zich op een afstand van de kantensnijder bevinden wanneer u hem gebruikt.
	Draairichting van het mes van de kantensnijder	Geeft de richting van de bladrotatie van de kantensnijder aan.
	Vliegende voorwerpen	Controleer het oppervlak waar u het gereedschap wilt gebruiken en verwijder alle stenen, stokken, draden, botten en andere vreemde voorwerpen.
	Draaiend snijmes	Houd uw handen en voeten uit de buurt van de draaiende onderdelen.
	Niet aan regen blootstellen	Gebruik het apparaat niet in de regen en laat het tevens niet buiten achter als het regent.
	CE	Dit product is in overeenstemming met de EG-richtlijnen.
	WEEEZ	Gooi elektrisch afval niet via het huishoudelijk afval weg. Breng het naar een geautoriseerd recyclingbedrijf.

NL

	Geluidniveau	Gewaarbord geluidsvermogensniveau. Geluidsemissie voor de omgeving in overeenstemming met de richtlijnen van de Europese Unie.
V	Volt	Spanning
mm	Millimeter	Lengte of afmeting
cm	Centimeter	Lengte of afmeting
kg	Kilogram	Gewicht
	Gelijkstroom	Stroomtype of -karakteristiek

NL

## BELANGRIJKE VEILIGHEIDSINSTRUCTIES

**⚠ WAARSCHUWING:** Tijdens het gebruik van grastrimmers, moeten de volgende standaard veiligheidsmaatregelen worden genomen om het risico op brand, elektrische schokken en persoonlijk letsel te vermijden:

### LEES GRONDIG VOOR GEBRUIK

#### BEWAAR VOOR LATERE RAADPLEGING

**⚠ GEVAAR:** Vertrouw niet op de isolatie van het gereedschap om elektrische schokken te voorkomen. Om het risico op elektrocutie te beperken, bedien de machine nooit in de buurt van bedrading of kabels (voeding, etc.) die onder elektrische stroom staan.

**⚠ OPGELET:** Draag gepaste persoonlijke gehoorbescherming tijdens gebruik. In bepaalde omstandigheden en afhankelijk van de gebruiksduur kan het lawaai dat dit product produceert tot gehoorverlies leiden.

#### OPLEIDING

- Lees de instructies aandachtig door. Maak u vertrouwd met de bedieningsknoppen en het juiste gebruik van de machine.
- Kinderen of personen die de instructies niet kennen mogen dit apparaat niet gebruiken. De lokale wetgeving kan de leeftijd van de bediener begrenzen.
- Gebruik de kantensnijder nooit als er zich mensen, in het bijzonder kinderen of huisdieren, in de buurt bevinden.
- Onthoud dat de bediener of gebruiker verantwoordelijk is voor ongevallen of gevaren die zich bij ander personen of hun eigendommen voordoen.

## VOORBEREIDING

- Tijdens het gebruik van de kantensnijder dient u altijd gehoorbescherming en een veiligheidsbril, stevig schoeisel en een lange broek te dragen.
- Controleer het oppervlak waar u het gereedschap wilt gebruiken en verwijder alle stenen, stokken, draden, botten en andere vreemde voorwerpen.
- Voordat u het apparaat gebruikt, dient u de messen, moer van de messen en de opbouw van de messen op slijtage of beschadigingen te controleren. Vervang versleten of beschadigde messen en moeren als set om de balans te behouden.

## GEBRUIK

- Gebruik de kantensnijder alleen bij daglicht of voldoende kunstmatig licht.
- Let op uw houding als u het apparaat op hellingen gebruikt.
- Altijd lopen, nooit rennen.
- Wees zeer voorzichtig als u draait of de kantensnijder in uw richting trekt.
- Zorg ervoor dat het mes stil staat voordat u over oppervlakken gaat die niet uit gras bestaan en als u de kantensnijder van en naar het werkgebied brengt.
- Gebruik de kantensnijder niet als deze defect is, of de bescherming ontbreekt of niet juist is gemonteerd.
- Verander de instellingen van de motorregelaar niet en zorg ervoor dat de snelheid van de motor niet buiten de grenzen ligt.
- Start de schakelaar van de motor voorzichtig volgens de instructies in en houd uw voeten uit de buurt van het mes (de messen).
- Start de motor niet, als zich personen voor het(de) mes(sen) bevinden.
- Houd uw handen en voeten uit de buurt van de draaiende onderdelen.
- Schakel de motor altijd uit en verbreek de verbinding met de accu:
  - 1) Voor het verwijderen van blokkades;
  - 2) Voor het controleren, reinigen of onderhouden van het(de) mes(sen);
  - 3) Na het raken van een vreemd voorwerp: Inspecteer het(de) mes(sen) op beschadigingen en voer reparaties uit voordat u de kantensnijder weer start en in gebruik neemt;
  - 4) Als de kantensnijder overmatig trilt (direct controleren).
- Stop de motor wanneer u de kantensnijder ergens laat liggen;

- Laad het accupack niet op als het regent of in een natte omgeving.
- Gebruik het gereedschap alleen met onderstaand vermelde accupacks en laders:

BATTERIJ	LADER
BA1120E, BA2240E, BA2800, BA3360, BA4200	CH2100E CH5500E

- Haal het accupack uit het apparaat alvorens het apparaat af te danken.
- Gooi het accupack op een veilige manier weg.
- Gooi het accupack niet in vuur. De cellen kunnen ontploffen. Raadpleeg de lokale wetgeving voor eventuele speciale verwijderingsvoorschriften.
- Open of beschadig de batterij niet. Vrijgekomen elektrolyt is corrosief en kan schade aan de ogen en huid veroorzaken. Het kan giftig zijn wanneer het wordt ingeslikt.
- Wees voorzichtig wanneer u accupacks gebruikt. Sluit het accupack nooit kort met geleidende materialen zoals ringen, armbanden of sleutels. Het accupack of de geleider kan oververhitten en brandwonden veroorzaken.
- Accugereedschap moet niet op een stopcontact worden aangesloten en kan aldus altijd onmiddellijk gebruikt worden. Let voor mogelijke gevaren, zelfs wanneer het gereedschap niet in werking is. Let op wanneer u onderhoud op het gereedschap uitvoert.
- Reinig het gereedschap niet met een slang. Zorg dat de motor of elektrische componenten niet met water in aanraking komen.

### Onderhoud en opslag

- Zorg dat alle moeren, bouten en schroeven altijd stevig vastgedraaid zijn om een veilige werking van het gereedschap te waarborgen.
- Vervang versleten of beschadigde onderdelen.
- Probeer het gereedschap niet zelf te repareren tenzij u de vaardigheden hiertoe bezit.
- Gebruik alleen reserve-onderdelen en accessoires die door de fabrikant zijn aanbevolen.
- Verbreek de verbinding van het gereedschap en de accu voordat u onderhoud of reinigingswerkzaamheden uitvoert.
- Controleer en onderhoud de machine regelmatig. Laat de machine alleen door een erkende reparateur repareren.
- Wanneer niet in gebruik, berg de machine op buiten het bereik van kinderen.

- Als er zich situaties voordoen die niet in deze handleiding zijn behandeld, gebruik uw gezond verstand. Neem contact op met het EGO servicecentrum voor bijstand.
- Bewaar deze handleiding. Raadpleeg de gebruikershandleiding indien nodig en gebruik deze om andere personen die dit apparaat zullen gebruiken te onderrichten. Als u dit apparaat aan iemand anders geeft, geef hem/haar dan in ieder geval ook de gebruikershandleiding mee om verkeerd gebruik en/of mogelijk letsel te voorkomen.

### BEWAAR DEZE GEBRUIKSAANWIJZING!

**OPMERKING: KIKJ IN DE GEBRUIKSAANWIJZING VAN DE MOTORKOP VOOR AANVULLENDE SPECIFIEKE VEILIGHEIDSinSTRUCTIES.**

NL

## SPECIFICATIES

Lengte van het blad	20 cm	
Diepte van de kantensnijder	Tot 75 mm	
Gewicht	2,26 kg	
Gemeten geluidsvermogensniveau $L_{WA}$	92,4 dB(A) K=2,07 dB(A)	
Geluidsdruk niveau aan het oor van de bediener $L_{PA}$	79,8 dB(A) K=3 dB(A)	
Gegarandeerd geluidsvermogensniveau $L_{WA}$ (gemeten volgens 2000/14/EG)	95 dB(A)	
Vibratie $a_n$	Voorste handvat	1,2 m/s <sup>2</sup> K=1,5 m/s <sup>2</sup>
	Achterste handvat	2,2 m/s <sup>2</sup> K=1,5 m/s <sup>2</sup>

- De bovengenoemde parameters werden getest en gemeten met de motorkop PH1400E;
- De opgegeven totale vibratiewaarde is gemeten volgens de standaard testmethode en kan worden gebruikt om het apparaat met een ander apparaat te vergelijken;
- De opgegeven totale vibratiewaarde kan ook worden gebruikt in een voorafgaande beoordeling op blootstelling.

**MEDEDELING:** De vibratie-afgifte tijdens het werkelijk gebruik van het elektrisch gereedschap kan verschillen van de opgegeven totale waarde; Om de bediener te beschermen dient de gebruiker tijdens het gebruik handschoenen en gehoorbescherming te dragen.

## INHOUD VAN DE VERPAKKING

NAAM ONDERDEEL	AANTAL
Kantensnijder toebehoor	1
Binnenzeskantsleutel	1
Multifunctionele sleutel	1
Splitpen	2
Gebruikershandleiding	1

NL

### Aanbevolen mes

OMSCHRIJVING VAN DE ONDERDELEN	MODELNUMMER
Mes kantensnijder	AEBO800

## BESCHRIJVING

### KEN UW KANTENSIJDER TOEBEHOOR (afb. A)

1. Einddop
2. Schacht van de kantenslijper
3. Zaagbladbeschermer
4. Blad
5. Knop voor de diepte-instelling
6. Geleidingswiel
7. Binnenzeskantsleutel
8. Multifunctionele sleutel
9. Geleiding voor de diepte-instelling
10. Vuilklep
11. Splitpen
12. Schroef om de geleidingsplaat op zijn plek te houden
13. Geleidingsplaat

## MONTAGE

**⚠ WAARSCHUWING:** Als er onderdelen beschadigd zijn of ontbreken, gebruik dit product niet totdat alle onderdelen vervangen of aanwezig zijn. Dit product gebruiken met beschadigde of ontbrekende onderdelen kan ernstig persoonlijk letsel veroorzaken.

**⚠ WAARSCHUWING:** Probeer niet om dit product aan te passen of accessoires te maken die niet voor gebruik met deze grastrimmer zijn aanbevolen. Een dergelijke aanpassing of wijziging is verkeerd en kan leiden tot gevaar en een ernstig persoonlijk letsel.

**⚠ WAARSCHUWING:** Pas de mesbeschermer niet aan. De mesbeschermer is af fabriek zo ingesteld dat de pijl op de mesbeschermer en de open kant weg van de gebruiker zijn gericht. Hierdoor wordt gewaarborgd, dat snijafval en ander vuil in een andere richting dan die van het gereedschap en de gebruiker worden geleid.

### AANSLUITEN VAN HET KANTENSIJDER TOEBEHOOR AAN DE MOTORKOP

Het kantensnijder toebehoor is ontworpen voor het gebruik met de EGO 56V lithium-ion accu motorkop PH1400E.

Zie hoofdstuk “**INSTALLEREN VAN TOEBEHOOR AAN DE MOTORKOP**” in de gebruiksaanwijzing van de motorkop PH1400E.

## BEDIENING

**⚠ WAARSCHUWING:** Vertrouwdheid kan leiden tot onvoorzichtigheid. Opgelet, één seconde van onvoorzichtigheid kan ernstig letsel teweegbrengen.

**⚠ WAARSCHUWING:** Draag altijd een veiligheidsbril met zijschermen. In combinatie met gehoorbescherming. Het niet dragen van deze beschermingsuitrusting kan ertoe leiden dat voorwerpen in uw ogen terecht komen of kan een ander ernstig letsel veroorzaken.

### APPLICATIES

U kunt dit product gebruiken voor onderstaand vermeld doeleinde:

- Het kantensnijden langs de stoep, paden, bloemperken en andere, soortgelijke omgevingen.

**OPMERKING:** Het gereedschap mag alleen voor het voorheen genoemde doeleinde worden gebruikt. Ieder ander gebruik is in dit geval misbruik.

### Voor elk gebruik, controleer op beschadigde/versleten onderdelen

Controleer de snijkop, scherm en voorste handvat en vervang de onderdelen die gebarsten, scheef getrokken, gebogen of beschadigd zijn.

**⚠ WAARSCHUWING:** Om ernstig persoonlijk letsel te voorkomen, haal het accupack uit het gereedschap voor onderhoud, reiniging, het wijzigen van accessoires of het verwijderen van materiaal.

## GEbruIKEN VAN HET KANTENsNIJDER TOEBEHoOR MET DE MoToRKoP

**⚠ WAARSCHUWING:** Draag gepaste kleding om het risico op letsel tijdens gebruik van dit gereedschap te beperken. Draag geen los hangende kleding of juwelen. Draag oog- en oorbescherming. Draag een stevige lange broek, laarzen en handschoenen. Draag geen korte broek of sandalen of ga niet blootsvoets. Draag een gezichts- of stofmasker in geval van een stoffige omgeving.

**⚠ WAARSCHUWING:** Verwijder alle obstakels en vaste voorwerpen uit het werkgebied.

Voor een veiliger en beter gebruik draagt u de schouderriem over uw schouder. Pas de schouderriem aan zodat u een comfortabele werkpositie bereikt.

Houd de kantensnijder met uw rechterhand op het achterste handvat en uw linkerhand op het voorste ondersteunende handvat vast. Houd het gereedschap tijdens het gebruik stevig vast met beide handen. De kantensnijder dient op een prettige manier te worden vastgehouden met het achterste handvat ongeveer op heuphoogte (afb. B).

**⚠ WAARSCHUWING:** De schouderriem heeft ook een snelontspanningsmechanisme voor gevaarlijke situaties. Als er sprake is van een noodgeval, haalt u hem direct van de schouder, ongeacht hoe de riem zit.

### Maak de kantensnijder na ieder gebruik schoon

Kijk in het hoofdstuk ONDERHOUD voor de reinigingsinstructies.

### DE DIEPTE VAN DE SNEDE AANPASSEN

1. Stop de motor en verwijder het accupack.
2. Maak de instelknop voor de diepte los in de richting van de ontgrendelingspijl die op de knop staat (afb. C).
3. Beweeg het geleidingswiel langs de geleiding voor de diepte-instelling; naar boven om de diepte te verhogen of naar beneden om de diepte te verminderen (afb. D).
4. Pas het geleidingswiel aan zodat het mes net de bodem aanraakt of het oppervlak van de grond niet verder dan 5 mm snijdt (afb. E) en maak vervolgens goed vast.
5. Ga in een normale werkpositie staan, controleer nogmaals de snijdiepte en corrigeer indien nodig.

### HET GEREEDSCHAP STARTEN/STOPPEN

Zie hoofdstuk "STARTEN/STOPPEN VAN DE MoToRKoP" in de gebruiksaanwijzing van de motorkop PH1400E.

## TIPS VoOR HET GEbruIK

- Houd de motorkop vast en leidt hem zodat het mes verticaal is. Gebruik de zichtlijn om het mes in één lijn met de kant van het bed te brengen (afb. F).
- Gebruik hem met geen hogere snelheid dan een normale wandelsnelheid. Als het mes begint te zakken, werkt u te snel; ga langzamer te werk.
- Wandel altijd naar voren als u bezig bent met snijden en beweeg de kantensnijder naar voren. Trek de kantensnijder niet naar u toe.
- Oefen geen kracht uit op het mes in de grond. Gering contact van het mes met de rand van de stoep, pad, etc. is acceptabel en zal de kantensnijder niet beschadigen.
- U krijgt de beste resultaten als het gras droog is. Voorkom het snijden in gebieden met natte grond of nat gras; hierdoor kan de bescherming vol komen te zitten, waardoor het resultaat niet egaal is. Als de mesbeschermer vol komt te zitten, stopt u de motor, verwijdert u het accupack, en verwijdert u al het vuil van de mesbeschermer.

## oNDERHoUD

**⚠ WAARSCHUWING:** Voor het inspecteren, reinigen of onderhouden van het apparaat dient u de motor te stoppen, te wachten totdat alle bewegende onderdelen tot stilstand zijn gekomen en het accupack te verwijderen. Het negeren van deze instructies kan ernstig persoonlijk letsel of materiële schade tot gevolg hebben.

**⚠ WAARSCHUWING:** Bij reparatie, gebruik uitsluitend identieke reserve-onderdelen. Controleer en onderhoud de machine regelmatig. Laat alle reparaties uitvoeren door een vakbekwame reparateur om een continue veiligheid en betrouwbaarheid te waarborgen.

### ALGEMEEN oNDERHoUD

Maak de kunststof onderdelen niet schoon met oplosmiddelen. De meeste kunststoffen kunnen worden beschadigd wanneer ze in contact komen met commerciële oplosmiddelen. Gebruik een schone doek voor het verwijderen van vuil, stof, olie, smeer, etc.

### HET APPARAAT sCHoONMAKEN

- Na ieder gebruik dient u het mes en de beschermer met een zachte borstel te ontdoen van vuil, opgehoopte aarde of gras. Veeg het oppervlak van de kantensnijder schoon met een vochtige doek en een mild zeepsopje.
- Maak de ventilatieopeningen van de achterste behuizing schoon met een kleine borstel of een stofzuiger met een kleine borstel om ze van obstakels te ontdoen.

- **OPMERKING:** Maak de kunststof behuizing of handvat niet schoon met een agressief schoonmaakmiddel. Deze kunnen door bepaalde aromatische oliën, zoals pijnboom en citroen worden beschadigd.

## HET MES VERVANGEN

**⚠ WAARSCHUWING:** Probeer een gebogen of gescheurd mes recht te maken of te lassen; hierdoor kan het breken. Het dient te worden vervangen. Aanbevolen vervanging alleen met EGO kantensnijdermes, zie het gedeelte “Aanbevolen mes”.

**OPMERKING:** Vervang het mes als de lengte niet meer voldoende is voor het nodige onderhoud en de nodige diepte niet meer wordt verkregen.

**⚠ WAARSCHUWING:** Bescherm altijd uw handen door handschoenen te dragen of door het mes met doeken of andere materialen in te wikkelen voordat u onderhoud aan het mes van de kantensnijder uitvoert.

## Het mes verwijderen

1. Stop de motor en verwijder het accupack.
2. Leg de kantensnijder op de achterkant zodat het mes naar boven is gericht.
3. Draag beschermende handschoenen. Gebruik een nijptang (niet inbegrepen) om de splitpen uit de motorschacht te verwijderen (afb. G).
4. Draai het blad om de sleuf in de flens met het gat in de versnellingsbak in één lijn te brengen (afb. G).

Afb. G beschrijving van de onderdelen zie beneden:

G-1	Splitpen
G-2	Binnenflens
G-3	Versnellingsbak

5. Steek de meegeleverde binnenzeskantsleutel in de zich op een lijn bevindende gaten zodat deze als stabilisator kan fungeren. Gebruik de meegeleverde multifunctionele sleutel om de moer **MET DE KLOK MEE** los te maken (afb. H).
6. Verwijder de moer, de buitenflens, het mes en de binnenflens van de motorschacht (afb. I). Controleer en vervang ze als ze zijn versleten.

Afb. I beschrijving van de onderdelen zie beneden:

I-1	Motorschacht	I-5	Blad
I-2	Binnenflens	I-6	Buitenflens
I-3	Sleuf in de binnenflens	I-7	Moer
I-4	Uitstulping op de binnenflens	I-8	Splitpen

## Installatie van het mes

1. Positioneer de binnenflens op de motorschacht met de uitstulping naar buiten gericht (afb. J).
2. Installeer het nieuwe mes op de binnenflens, zorg ervoor dat het mes veilig bevestigd is (afb. J).
3. Bevestig de buitenflens en de moer op de schacht en draai de moer alvast **TEGEN DE KLOK IN** met de hand vast.
4. Volg de bovenstaande stappen 4 & 5 in “Het mes verwijderen” om het mes stabiliseren om het zo veilig met de moer **TEGEN DE KLOK IN** vast te kunnen draaien.
5. Steek een nieuwe, meegeleverde splitpen in het gat in de motorschacht. Buig de twee voetjes van de pen in tegengestelde richtingen met de nijptang (niet inbegrepen) (afb. G).

## HET GELEIDINGSWIEL VERVANGEN

1. Stop de motor en verwijder het accupack.
2. Leg de kantensnijder op de achterkant zodat het geleidingswiel naar boven is gericht.
3. Maak de instelknop voor de diepte los in de richting van de ontgrendelingspijl die op de knop staat en verwijder hem.
4. Verwijder de veerring, sluitring 1, geleidingswiel, doorvoering en sluitring 2 van de schroefpaal (afb. K). Controleer en vervang ze als ze zijn versleten.
5. Bevestig de schroefpaal eerst door de diepte-instellingsgeleiding en monteer vervolgens de sluitring 2, doorvoering en het nieuwe wiel, monteer vervolgens de sluitring 1, veerring en de diepte-instellingsknop op de schroefpaal in de op afb. K getoonde volgorde.

Afb. K beschrijving van de onderdelen zie beneden:

K-1	Knop voor de diepte-instelling	K-5	Doorvoering
K-2	Veerring	K-6	Sluitring 2
K-3	Sluitring 1	K-7	Schroefpaal
K-4	Geleidingswiel	K-8	Geleiding voor de diepte-instelling

**OPMERKING:** Het geleidingswiel dient met de vlakke ribbels naar binnen gericht gemonteerd te worden (afb. L).

Afb. L beschrijving van de onderdelen zie beneden:

L-1	Schroeven	L-3	Vuilklep
L-2	Vlakke ribbels	L-4	Bevestigingsplank

6. Vergrendel de knop voor de diepte-instelling.

### VERVANGEN VAN DE VUIKLEP (afb. L)

1. Stop de motor en verwijder het accupack.
2. Gebruik de binnenzekantsleutel die is meegeleverd om de twee schroeven los te maken.
3. Verwijder de schroeven, die de bevestigingsplaat en de versleten vuilklep met elkaar verbinden.
4. Vervang door een nieuwe vuilklep en bevestig weer met behulp van de twee schroeven aan de bevestigingsplaat.

### CONTROLLEREN EN VERVANGEN VAN DE ANTI-SLIJTAGE BESCHERMING/GELEIDINGSPLAAT (afb. M)

Controleer de anti-slijtage bescherming en de geleidingsplaat op beschadigingen alvorens het gereedschap te starten. De anti-slijtage bescherming moet worden vervangen zodra de versnellingsbak zichtbaar wordt.

**OPMERKING:** De versnellingsbak kan ernstig beschadigd raken als u de anti-slijtage bescherming niet vervangt zodra de versnellingsbak zichtbaar wordt.

1. Stop de motor en verwijder het accupack.
2. Draag beschermende handschoenen. Draai het mes indien nodig zodat u de twee schroeven ziet.
3. Gebruik de binnenzekantsleutel die is meegeleverd om de twee schroeven los te maken en verwijder ze vervolgens.

**OPMERKING:** Als u alleen de geleidingsplaat hoeft te vervangen, kunt u schroef 1 losdraaien en verwijderen.

4. Vervang de vervormde of versleten anti-slijtage bescherming/geleidingsplaat.
5. Monteer de nieuwe anti-slijtage bescherming en geleidingsplaat op de versnellingsbak en maak ze vast met de twee schroeven.

Afb. M beschrijving van de onderdelen zie beneden:

M-1	Schroef 1	M-4	Anti-slijtage bescherming
M-2	Geleidingsplaat	M-5	Bevestigingsgaten
M-3	Schroef 2	M-6	Versnellingsbak

### VERWIJDEREN VAN DE GELEIDINGSPLAAT

Als u ervaring heeft met dit type van kantensnijder, of als u van mening bent dat de geleidingsplaat hindert tijdens het werk, kunt u de geleidingsplaat verwijderen.

1. Maak schroef 1 los en verwijder hem.
2. Verwijder de geleidingsplaat.
3. Vervang en draai schroef 1 vast.

### SMEREN VAN DE VERSNELLING

De versnelling in de versnellingsbak dient regelmatig met smeervet voor versnellingen te worden gevet. Controleer het vetniveau van de versnellingsbak ongeveer alle 50 uur van gebruik door de vergrendelschroef aan de zijkant van de bak te verwijderen.

Als u geen vet meer ziet aan de zijkanten van de versnelling, dient u de onderstaande stappen te volgen voor het tot 3/4 bijvullen van het vet.

Vul de versnellingen niet helemaal.

1. Zet de kantensnijder rechtop zodat de vergrendelschroef naar boven is gericht (afb. N).
2. Gebruik de meegeleverde multifunctionele sleutel en verwijder de vergrendelschroef. Gebruik een vetspuit (niet inbegrepen) om een beetje vet in het schroefgat te spuiten; niet meer dan 3/4 van de capaciteit vullen.
3. Maak de vergrendelschroef na het injecteren weer vast.

### HET APPARAAT OPBERGEN

- Haal het accupack uit de kantensnijder
- Maak het gereedschap grondig schoon voordat u het opbergt.
- Als het kantensnijder-toebehør wordt verwijderd van de motorkep en apart wordt opgeborgen, dient u de eindpomp op de schacht van het toebehør te plaatsen, om te voorkomen dat er vuil in de koppeling terecht komt.
- Berg het apparaat op in een droge, goed geventileerde en afsluitbare ruimte of op een hoge hoogte en buiten het bereik van kinderen. Berg het apparaat niet op in de buurt van meststoffen, benzine of andere chemicaliën.



### Het milieu beschermen



Gooi geen elektrische apparaten, acculaders en accu's/oplaadbare batterijen met het huisafval weg!

Elektrische en elektronische apparaten, in overeenstemming met de Europese wet 2012/19/EG, en defecte of verbruikte accupacks/batterijen, in overeenstemming met 2006/66/EG, moeten afzonderlijk worden ingezameld.

Als elektrische apparaten op een stortterrein of vuilnisbelt terecht komen, kunnen gevaarlijke stoffen in het grondwater lekken en in de voedselketen komen wat schadelijk is voor uw gezondheid en welzijn.

NL

### EG CONFORMITEITSVERKLARING



Wij, EGO EUROPE GMBH

Wahlwiesenstrasse 1, D-71711 Steinheim an der Murr  
Deutschland

Verklaring dat het product **56V lithium-ion accu kantensnijder toebehoor EA0800**, te gebruiken met de basis machine PH1400E

in overeenstemming is met de essentiële gezondheids- en veiligheidseisen van de volgende richtlijnen:

2006/42/EG, 2014/30/EG, 2011/65/EG, 2000/14/EG

Standaarden en technische specificaties waaraan wordt gerefereerd:

EN 60745-1, ISO 11789-1, EN 55014-1, EN 55014-2

Gemeten geluidsvermogensniveau: 92,4 dB(A),

Gewaarborgd geluidsvermogensniveau: 95 dB(A)

Peter Melrose  
Algemeen directeur van  
EGO Europe GmbH

Dong Jianxun  
Kwaliteitsmanager van  
Chervon

\* (Geautoriseerde vertegenwoordiger voor CHERVON en verantwoordelijk voor de technische documentatie)

01/12/2016



## PROBLEEMOPLOSSING

PROBLEEM	OORZAAK	OPLOSSING
De motor wil niet starten.	<ul style="list-style-type: none"> <li>■ Het accupack is niet op de motorkop aangesloten.</li> <li>■ Er is geen elektrisch contact tussen de motorkop en het accupack.</li> <li>■ Het accupack is uitgeput.</li> <li>■ De knop en trekker zijn niet gelijktijdig ingedruwd.</li> </ul>	<ul style="list-style-type: none"> <li>■ Sluit het accupack aan op de motorkop.</li> <li>■ Verwijder het accupack, controleer de aansluitklemmen en plaats het accupack terug totdat deze vast klikt.</li> <li>■ Laat het accupack op met de EGO lader die in deze gebruiksaanwijzing wordt vermeld.</li> <li>■ Duw de ontgrendelingsknop in en houd deze in positie. Druk de inschakelknop om de motorkop in te schakelen.</li> </ul>
De motorkop stopt tijdens het gebruik.	<ul style="list-style-type: none"> <li>■ De motor is overbelast.</li> <li>■ Het accupack of de motorkop is te warm.</li> <li>■ Het accupack is niet met het gereedschap verbonden.</li> <li>■ Het accupack is uitgeput.</li> </ul>	<ul style="list-style-type: none"> <li>■ De motor herstelt weer zodra de belasting is verdwenen. Voor continu gebruik dient u het vermogen van de motorkop te verlagen.</li> <li>■ Laat het accupack of de motorkop afkoelen totdat de temperatuur lager dan 152°F (67°C) is.</li> <li>■ Installeer het accupack opnieuw.</li> <li>■ Laat het accupack op met de EGO lader die in deze gebruiksaanwijzing wordt vermeld.</li> </ul>
Ongelijkmatige rand	<ul style="list-style-type: none"> <li>■ Het gras of de aarde is te nat.</li> <li>■ De mesbeschermer zit dicht.</li> </ul>	<ul style="list-style-type: none"> <li>■ Vermijd het snijden in natte grond of nat gras.</li> <li>■ Stop de motor, verwijder het accupack, en verwijder al het vuil van de mesbeschermer.</li> </ul>

NL

## GARANTIE

### EGO GARANTIEVOORWAARDEN

Bezoek onze website [egopowerplus.com](http://egopowerplus.com) voor alle voorwaarden van de EGO garantie.

## LÆS ALLE ANVISNINGER!



### LÆS BRUGANVISNING

**⚠ Særlig risiko!** Folk med elektroniske anordninger, såsom pacemakere, bør spørge deres læge til råds, før de bruger dette produkt. Betjening af elektrisk udstyr i umiddelbar nærhed af en pacemaker kan forårsage forstyrrelser eller svigt af pacemakeren.

**⚠ ADVARSEL:** For at sikre sikkerhed og pålidelighed, bør alle reparationer og udskiftninger udføres af en kvalificeret servicetekniker.

DK

## SIKKERHEDSSYMBOLER

Formålet med sikkerhedssymboler er at gøre dig opmærksom på mulige farer. Du bør være meget opmærksom på sikkerhedssymbolerne og forklaringer til dem og lære at forstå dem. Symboladvarslere fjerner ikke i sig selv eventuelle farer. Anvisningerne og advarslerne er ingen erstatning for korrekte forebyggelsesforanstaltninger mod ulykker.

**⚠ ADVARSEL:** Sørg for at læse og forstå alle sikkerhedsanvisninger i denne brugsanvisning, inklusive alle sikkerhedssymboler, såsom "FARE", "ADVARSEL" og "FORSIGTIG", før du bruger dette værktøj. Hvis du ikke følger advarsler og anvisninger, kan det resultere i elektrisk stød, brand og/eller alvorlig personskade.

## SYMBOLBETYDNING

**⚠ SYMBOL FOR SIKKERHEDSVARSEL:** Angiver **FARE**, **ADVARSEL** eller **FORSIGTIG**. Kan anvendes i kombination med andre symboler eller piktogrammer.

**⚠ ADVARSEL:** Brugen af et elværktøj kan resultere i, at du får fremmedlegemer i øjnene, hvilket kan give alvorlige øjenskader. Inden du begynder at bruge et elværktøj, skal du altid bære beskyttelsesbriller eller sikkerhedsbriller med sidebeskyttelse og om nødvendigt en fuld ansigtsmaske. Vi anbefaler en maske med bredt udsyn til brug over briller eller standard sikkerhedsbriller med sidebeskyttelse.

## SIKKERHEDSANVISNINGER

Denne side viser og beskriver sikkerhedssymboler, der kan forekomme på dette produkt. Læs, forstå, og følg alle anvisninger på apparatet, før du forsøger at samle og betjene det.

	Sikkerhedsvarsel	Angiver en potentiel fare for personskade.
	Læs brugsanvisningen	For at nedsætte risikoen for personskade, skal brugeren læse og forstå brugsanvisningen, før dette produkt tages i brug.
	Brug høreværn og beskyttelsesbriller	Bær altid beskyttelsesbriller eller sikkerhedsbriller med sidebeskyttelse og om nødvendigt en fuld ansigtsmaske.
	Hold omkringstående på sikker afstand	Sørg for at andre personer og kæledyr er på sikker afstand af kantskæreren, når den er i brug.
	Kantskærers rotationsretning	Angiver kantskærers rotationsretning.
	Udslyngede fremmedlegemer	Undersøg grundigt området, hvor udstyret skal anvendes, og fjern evt. sten, pinde, ledninger, knogler og andre fremmedlegemer.
	Roterende kniv	Dine hænder eller fødder må ikke komme i nærheden af eller under roterende dele.
	Må ikke udsættes for regn	Må ikke anvendes i regnvejret eller efterlades udendørs, mens det regner.
	Det Europæiske Fællesskab	Dette produkt er i overensstemmelse med gældende EU-direktiver.
	WEEE	Affald fra elektriske produkter bør ikke bortskaffes sammen med husholdningsaffald. Bring det til en godkendt genbrugsplads.
	Støj	Garanterer lydniveau. Støjemission til miljøet opfylder EF-direktivet.
V	Volt	Spænding
mm	Millimeter	Længde eller størrelse
cm	Centimeter	Længde eller størrelse

kg	Kg	Vægt
	Jævnstrøm	Spændingstype af eller -karakteristika

### VIGTIGE SIKKERHEDSANVISNINGER

**⚠ ADVARSEL:** Ved brug af græsstrimmere skal grundlæggende sikkerhedsprocedurer altid følges for at reducere risikoen for brand, elektrisk stød og personskade, herunder følgende:

### LÆS GRUNDIGT INDEN BRUG

#### GEM TIL SENERE BRUG.

**⚠ FARE:** Stol ikke på værktøjets isolering mod elektrisk stød. For at reducere risikoen for en elektricitetsulykke skal man aldrig betjene apparatet i nærheden af nogen form for ledninger eller kabler (stærkstrøm etc.), som kan være strømførende.

**⚠ FORSIGTIG:** Brug egnet personligt høreværn under brug. Under visse betingelser og afhængigt af varigheden af brug kan støj fra dette produkt bidrage til høretab.

#### Undervisning

- Læs anvisningerne grundigt igennem. Bliv fortrolig med alle knapper og håndtag og den korrekte brug af apparatet.
- Lad aldrig personer, der ikke kender disse anvisninger, eller børn til at bruge apparatet. Lokale forskrifter kan sætte aldersgrænser for en operatør.
- Kantskæreren må ikke bruges, hvis der er børn eller kæledyr i nærheden.
- Husk, at operatøren eller brugeren er ansvarlig, hvis andre personer eller andres ejendom udsættes for ulykke eller fare.

#### Forberedelse

- Når du skærer kanter, skal du altid bære beskyttelsesbriller og høreværn, kraftigt fodtøj og lange bukser.
- Undersøg grundigt området, hvor udstyret skal anvendes, og fjern evt. sten, pinde, ledninger, knogler og andre fremmedlegemer.
- Før brug skal knivene, knivenes bolte og skæreenheden ses efter for slid og skader. Nedslidte eller beskadigede klinger og bolte skal skiftes på samme tid, så balancen opretholdes.

#### Betjening

- skær kun kanter i dagslys eller i god kunstig belysning.
- Sørg altid for godt fodfæste på skrånende overflader.
- Gå, undgå at løbe.
- Vær meget forsigtig, hvis du bevæger dig baglæns eller trækker kantskæreren mod dig.
- Kontrollér, at kniven er stoppet, før du bevæger dig hen over andre overflader end græs, og når du transporterer kantskæreren til og fra området, hvor der skal skæres kanter.
- Brug aldrig kantskæreren, hvis den er defekt, eller hvis beskyttelsesskærmen mangler eller er forkert monteret.
- Lav ikke om på motorregulatorens indstillinger. Lad ikke motoren køre hurtigere end specificeret.
- Vær forsigtig, når motoren slås til i henhold til instruktionerne, og hold fødderne godt væk fra kniven/knivene.
- Start ikke motoren, når en tilskuer står foran kniven/knivene.
- Dine hænder eller fødder må ikke komme i nærheden af eller under roterende dele.
- Motoren slukkes altid og frakobles batteriet:
  - 1) Før blokeringer fjernes
  - 2) Før kontrol, rengøring eller arbejde på kniven/knivene
  - 3) Efter at have ramt et fremmedlegeme: Efterse kniven/knivene for skader, og foretag reparationer før genstart og betjening af kantskæreren.
  - 4) Hvis kantskæreren begynder at vibrere unormalt (kontrollér straks):
- Stop altid motoren, når du lægger kantskæreren fra dig.
- Oplad ikke batteripakken i regnvej, eller hvor der er vådt.
- Brug kun med de batteripakker og opladere, der er anført nedenfor:

BATTERI	OPLADER
BA1120E, BA2240E, BA2800,	CH2100E
BA3360, BA4200	CH5500E

- Batteripakken skal fjernes fra apparatet, før det kasseres.
- Batteriet skal bortskaffes på en sikker måde
- Smid ikke batteriet i ilden. Cellerne kan eksplodere. Undersøg de lokale forskrifter for eventuelle særlige anvisninger på bortskaffelse.

DK

- Undlad at åbne eller mishandle batteriet. Udsivende elektrolyt er ætsende og kan forårsage skader på øjne eller hud. Det kan være giftigt ved indtagelse.
- Udvis omhu i håndtering af batterier for ikke at kortslutte batteriet med ledende materialer, såsom ringe, armbånd og nøgler. Batteriet eller leder kan blive overophedet og forårsage forbrændinger.
- Batteridrevne værktøjer behøver ikke at være tilsluttet en stikkontakt, derfor er de altid driftsklar. Vær opmærksom på mulige farer, selv når værktøjet ikke arbejder. Vær forsigtig, når du udfører vedligeholdelse eller service.
- Undlad at vaske med en slange; undgå at få vand i motor og elektriske forbindelser.

## DK

### Vedligeholdelse og opbevaring

- Hold alle møtrikker, bolte og skruer stramme for at sikre, at apparatet kan betjenes sikkert.
- Udskift slidte eller beskadigede dele.
- Forsøg ikke at reparere maskinen, medmindre du er kvalificeret til det.
- Brug kun reservedele og tilbehør anbefalet af fabrikanten.
- Maskinen frakobles batteriet, før der udføres vedligeholdelses- eller rengøringsarbejder.
- Efterse og vedligehold apparatet regelmæssigt. Få kun apparatet repareret af en autoriseret reparatør.
- Når apparatet ikke er i brug, opbevar maskinen utilgængeligt for børn.
- Ved situationer, der ikke er dækket i denne vejledning: Vær forsigtig og arbejd med omtanke. Kontakt EGO's servicecenter for at få hjælp.
- Gem disse anvisninger. Brug dem ofte, og brug dem til at instruere andre, der skal bruge dette værktøj. Hvis du låner nogen dette værktøj, så lad dem også få anvisningerne med, så de undgår fejlbrug af produktet og mulig personskaade.

### GEM DISSE ANVISNINGER!

**BEMÆRK: I BRUGSANVISNINGEN TIL MOTORDELEN KAN DU FINDE YDERLIGERE SPECIFIKKE SIKKERHEDSREGLER.**

## SPECIFIKATIONER

Knivens længde	20 cm	
Skæredybde	Op til 75 mm	
Vægt	2,26 kg	
Målt lydeffektniveau $L_{WA}$	92,4 dB(A) K=2,07 dB(A)	
Lydtryk ved brugerens øre $L_{PA}$	79,8 dB(A) K=3 dB(A)	
Garanteret lydeffektniveau $L_{WA}$ (målt i henhold til 2000/14/EC)	95 dB(A)	
Vibration $a_{Hh}$	Hjælpehåndtag	1,2 m/s <sup>2</sup> K=1,5 m/s <sup>2</sup>
	Bageste håndtag	2,2 m/s <sup>2</sup> K=1,5 m/s <sup>2</sup>

- Ovenstående parametre er blevet testet og målt under anvendelse af motordel PH1400E;
- Den samlede værdi af angivne vibrationer er målt i overensstemmelse med en standardiseret prøvningsmetode og kan anvendes til at sammenligne et værktøj med et andet
- Den samlede angivne værdi for vibrationer kan også anvendes ved en foreløbig vurdering af eksponeringen.

**BEMÆRK:** Udsendelsen af vibrationer ved faktisk brug af elværktøjet kan afvige fra den angivne værdi, der hvor værktøjet anvendes. For at beskytte operatøren, bør vedkommende bære handsker og høreværn under de faktiske brugsbetingelser.

## PAKKELISTE

DELENS NAVN	ANTAL
Kantskærertilbehør	1
Unbrakonøgle	1
Multifunktions-skruenøgle	1
Split	2
Brugsanvisning	1

### Anbefalet kniv

DELNAVN	MODELNUMMER
Kantskærerkniv	AEB0800

## BESKRIVELSE

### LÆR KANTSKÆRERTILBEHØRET AT KENDE (fig. A)

1. Endedæksel
2. Kantskærerens skaft
3. Beskyttelsesskærm
4. Kniv
5. Dybdejusteringsknap
6. Styrehjul
7. Unbrakonøgle
8. Multifunktions-skruenøgle
9. Beslag til dybdejusteringsstyr
10. Opsprøjt-flap
11. Split
12. Låseskrue til skærestyr
13. Skærestyr

## MONTERING

**⚠ ADVARSEL:** Hvis der er dele, der er beskadigede eller mangler, anvendes apparatet ikke, før delene er udskiftet. Brug af dette produkt med beskadigede eller manglende dele kan medføre alvorlig personskade.

**⚠ ADVARSEL:** Forsøg ikke at ændre dette produkt eller fremstille tilbehør, der ikke anbefales til brug med denne græsstrimmer. Enhver sådan ændring eller modifikation er misbrug og kan resultere i en farlig situation, der fører til eventuel alvorlig personskade.

**⚠ ADVARSEL: JUSTER IKKE SKÆRMPLADEN.** Skærmladen er indstillet fra fabrikken, så pilen på skærmladen og den åbne side vender væk fra operatøren. Dette sikrer, at det afskærne og andet ledes væk fra elværktøjet og operatøren.

### MONTERING AF TILBEHØRET PÅ MOTORDELEN

Dette kantskærertilbehør er beregnet til brug med ego 56V lithium-ion motordel PH1400E.

Se afsnittet "MONTERING TILBEHØR PÅ MOTORDEL" i brugsanvisningen til motordel PH1400E.

## BETJENING

**⚠ ADVARSEL:** Selvom du kender dette produkt, så bliv ikke skødesløs. Husk, at skødesløshed i en brøkdæl af et sekund kan forvolde betydelig personskade.

**⚠ ADVARSEL:** Bær altid beskyttelsesbriller med sidebeskyttelse. Sammen med høreværn. Uden disse kan man blive ramt af genstande, der kastes ind i øjnene eller forårsager andre alvorlige skader.

### ANVENDELSER

Du kan bruge dette produkt til de formål, der er nævnt nedenfor:

- Kantskæring omkring stier, kantsten, blomsterbede og lignende steder.

**BEMÆRK:** Værktøjet skal kun bruges til det formål, det er beregnet til. Enhver anden anvendelse anses for at være et tilfælde af fejlbrug.

### Før hver anvendelse undersøges for skader / slidte dele

Tjek fjederhoved, kappe og fronthjælpehåndtag, og udskift de dele, der er revnede, skæve, bøjedede eller beskadigede på nogen måde.

**⚠ ADVARSEL:** For at undgå alvorlig personskade fjernes batteripakken fra værktøjet før service, rengøring, udskiftning af påmonteringer, eller før der fjernes noget fra apparatet.

### BRUG AF KANTSKÆRERTILBEHØRET PÅ MOTORDELEN

**⚠ ADVARSEL:** Bær rigtig påklædning for at mindske risikoen for skader, når du betjener dette værktøj. Bær ikke løst tøj eller smykker. Bær øjen- og øre- / høreværn. Bær kraftige, lange bukser, støvler og handsker. Gå ikke i korte bukser, sandaler eller på bare fødder. Brug en ansigtsmaske eller støvmaske, hvor der er støvet.

**⚠ ADVARSEL:** Fjern alle forhindringer og faste genstande fra arbejdsstedet.

Betjeningen gøres sikker og behagelig ved at benytte skulderremmen. Justér skulderremmen, så den giver en behagelig arbejdsstilling.

Hold altid kantskæreren med højre hånd på det bageste håndtag og din venstre hånd på det forreste hjælpehåndtag. Hold godt fast med begge hænder, når værktøjet betjenes. Kantskæreren bør bæres i en behagelig stilling med bagerste håndtag i hoftehøjde (fig. B).

**⚠ ADVARSEL:** Skulderremmen er også en mekanisme til hurtig frigørelse i farlige situationer. Når der opstår en fare, så tag den straks af skulderen, uanset hvordan remmen er sat på.

DK

## Efter hver brug rengøres kantskæreren.

Se afsnittet VEDLIGEHOLDELSE for oplysninger om rengøring.

### JUSTERING AF SKÆREDYBDE

1. Stop motoren, og fjern batteripakken.
2. Løsn dybdejusteringsknappen i den retning, der viser, at hjulet løsnes (pil) (fig. C).
3. Flyt styrehjulet op, ved at følge rillen i beslaget til dybdejusteringsstyret, for at øge fugens dybde eller ned for at mindske dybden (fig. D).
4. Justér styrehjulet, så kniven rører ved jorden eller højest går 5 mm ned i jorden (fig. E), og spændes derefter forsvarligt fast.
5. Stående i normal arbejdsstilling kontrolleres skærets dybde igen; ret om nødvendigt til.

DK

### START/STOP AF VÆRKTØJET

Se afsnittet "START / STOP AF MOTORDELEN" i brugsanvisningen til motordel PH1400E.

### TIP TIL BETJENING

- Hold og styr motordelen, således at kniven er lodret. Brug sigtelinjen til at flugte kniven med kanten af bedet (fig. F).
- Betjen ved normal gang. Hvis kniven begynder at køre langsomt, går skæringen for hurtig; sæt farten ned.
- Gå altid fremad, når der skæres, og flyt kantskæreren fremad. Træk ikke kantskæreren mod dig.
- Tving ikke kniven ned i jorden. Kniven kan godt køre let mod fortovskanter, fliser mv. uden at beskadige kantskæreren.
- De bedste resultater opnås, når græsset er tørt. Undgå at skære kanter, når jord eller græs er vådt, da det kan tilstoppe skærmladen og give ujævne kanter. Hvis skærmladen tilstoppes, standses motoren og batteriet fjernes, og derefter fjernes årsagen til tilstopningen.

## VEDLIGEHOLDELSE

**⚠ ADVARSEL:** Før eftersyn, rengøring eller service på enheden standses motoren. Vent til alle bevægelige dele er standset, og fjern batteripakken. Efterkommes disse anvisninger ikke, kan det medføre alvorlig personskade eller materielle skader.

**⚠ ADVARSEL:** Ved service må der kun bruges originale reservedele. Efterse og vedligehold apparatet regelmæssigt. For at sikre sikkerhed og pålidelighed skal alle reparationer udføres af en kvalificeret servicetekniker.

## ALMINDELIG VEDLIGEHOLDELSE

Undgå at bruge opløsningsmidler ved rengøring af plastdele. De fleste plastmaterialer risikerer at blive ødelagt ved brug af forskellige typer af alment tilgængelige opløsningsmidler. Brug rene klude til at fjerne snavs, støv, olie, fedt osv.

### RENGØRING AF APPARATET

- Efter hver brug skal du fjerne snavs, jord- eller græsklumper på kniven og skærmladen med en blød børste. Tør kantskæreren overflade af med en ren klud, fugtet med en mild sæbeopløsning.
- Brug en lille børste eller luftaftrækket på en lille støvsugerbørste til at rengøre lufthullerne for forhindringer på det bageste hus.

**BEMÆRK:** Brug ikke stærke rengøringsmidler på plastkabinettet eller -håndtaget. De kan blive beskadiget af visse aromatiske olier, såsom af fyrretræ og citron.

### UDSKIFTNING AF KNIVEN

**⚠ ADVARSEL:** Forsøg ikke at rette eller svejse en bøjet eller knækket kniv-den-kan-springe-den skal udskiftes. Anbefaler kun at udskifte med kantskærerknive fra EGO, se "Anbefalet kniv".

**BEMÆRK:** Udskift kniven, hvis dens længde ikke længere er tilstrækkelig til at få den nødvendige frihøjde over jorden og opnå den ønskede skæredybde.

**⚠ ADVARSEL:** Beskyt altid dine hænder med kraftige handsker, eller pak kniven ind i en klud eller andet materiale, hvis kantskæreren kniv skal vedligeholdes.

### AFTAGNING AF KNIVEN

1. Stop motoren, og fjern batteripakken.
2. Læg kantskæreren på bagsiden, således at kniven vender opad.
3. Brug beskyttelseshandsker. Anvend en snabeltang (medfølger ikke) til at afmontere splitten fra motorens skaft (fig. G).
4. Drej kniven for at flugte hullet i flangen med hullet i gearkassen (Fig. G).

Beskrivelse af dele i fig. G, se nedenfor:

G-1	Split
G-2	Indre flange
G-3	Gearkasse

5. Indsæt unbrakonøglen i de flugtende huller som stabilisator. Brug multifunktions-skruenøglen til at løsne møtrikken **MED URET** (fig. H).

6. Fjern møtrikken, den udvendige flange, kniven og den indvendige flange fra motorskaffet (fig. I). Kontrollér og udskift dem, hvis de er slidte.

Beskrivelse af dele i fig. I, se nedenfor:

I-1	Motorskaft	I-5	Klinge
I-2	Indre flange	I-6	Ydre flange
I-3	Not i den indvendige flange	I-7	Møtrik
I-4	Forhøjning på den indvendige flange	I-8	Split

#### Påsætning af kniven

1. Placér den indvendige flange på motorskaffet med forhøjningen udad (fig. I).
2. Sæt de nye knive på den indvendige flange, og sørg for, at kniven er sat sikkert på plads (fig. J).
3. Sæt den udvendige flange og møtrikken på akslen, og spænd møtrikken **MOD URET** med hånden.
4. Følg ovenstående trin 4 og 5 under "Aftagning af kniven" for at stabilisere kniven og spænde møtrikken forsvarligt **MED URET**.
5. Indsæt en ny split (medfølger) ind i hullet i motorens skaft. Bøj splittens to ben væk fra hinanden med en nåletang (medfølger ikke) (fig. G).

#### UDSKIFTNING AF STYREHJULET

1. Stop motoren, og fjern batteripakken.
2. Læg kantskæreren på bagsiden, således at styrehjulet vender opad.
3. Løsn dybdejusteringsknappen i den retning, der viser, at hjulet løsnes (pil).
4. Fjern federskiven, spændeskive 1, styrehjul, bøsning og spændeskive 2 fra boltestammen (fig. K). Kontrollér og udskift dem, hvis de er slidte.
5. Stik først boltestammen gennem beslaget til dybdejusteringsstyret, og sæt derefter spændeskive 2, bøsning og nyt hjul på, derefter sættes spændeskive 1, federskiven og dybdejusteringsknappen på boltestammen i den rækkefølge, der er vist i fig. K.

Beskrivelse af dele i fig. K, se nedenfor:

K-1	Dybdejusteringsknop	K-5	Bøsning
K-2	Fjederskive	K-6	Spændeskive 2
K-3	Spændeskive 1	K-7	Boltestamme
K-4	Styrehjul	K-8	Beslag til dybdejusteringsstyr

**BEMÆRK:** Styrehjulet skal monteres med de flade ribber indad (fig. L).

Beskrivelse af dele i fig. K, se nedenfor:

L-1	skruer	L-3	Opsprøjt-flap
L-2	Flad ribbe	L-4	Beslag

6. Lås dybdejusteringsknappen.

#### UDSKIFTNING AF OPSPRØJT-FLAP (fig. L)

1. Stop motoren, og fjern batteripakken.
2. Brug unbrakonøglen til at løsne de to skruer.
3. Fjern skruerne, som holder beslaget og den slidte opsprøjt-flap.
4. Udskift med en ny opsprøjt-flap, og fastgør den med beslaget og de to skruer.

#### KONTROL OG UDSKIFTNING AF SLITAGEBESKYTTELSESSKÆRMEN/SKÆRESTYRET (fig. M)

Kontrollér slitagebeskyttelsesskærmen og skærestyret for skader, før elværktøjet startes. Slitagebeskyttelsesskærmen skal udskiftes, så snart gearkassen bliver synligt.

**BEMÆRK:** Gearkassen kan blive alvorligt beskadiget, hvis du ikke udskifter slitagebeskyttelsesskærmen, så snart gearkassen er synlig.

1. Stop motoren, og fjern batteripakken.
2. Brug beskyttelseshandsker. Drej kniven, indtil du kan se de to skruer.
3. Brug unbrakonøglen til at løsne de to skruer, og fjern dem.

**BEMÆRK:** Hvis du kun skal udskifte skærestyret, er det nok at løsne og fjerne skruer 1.

4. Udskift den skæve eller slidte slitagebeskyttelsesskærm/skærestyret.
5. Sæt den nye slitagebeskyttelsesskærm og skærestyret fast på gearkassen, og fastgør dem med de to skruer.

Beskrivelse af dele i fig. M, se nedenfor:

M-1	Skruer 1	M-4	Slitagebeskyttelsesskærm
M-2	Skærestyr	M-5	Monteringshuller
M-3	Skruer 2	M-6	Gearkasse

#### AFTAGNING AF SKÆRESTYRET

Hvis du har erfaring med denne type kantskærer, eller hvis du synes, at skærestyret er i vejen, når du skærer kanter, kan du fjerne skærestyret.

1. Løsn og fjern skruer 1.
2. Tag styrepladen af
3. Isæt og stram skruer 1.

## TRANSMISSIONSGEARENES SMØRING

Transmissionsgearene i gearkassen skal smøres regelmæssigt med gearfedt. Kontrollér oliestanden i gearkassen for hver ca. 50 timers drift ved at fjerne tætningskrue på siden af gearkassen.

Hvis der ikke er fedt på siderne af gearret, skal du følge trinnene nedenfor for at fylde 3/4 op med fedt.

Fyld ikke transmissionsgearene helt op.

1. Stil kantskæreren på højkant, så tætningskruen vender opad (fig. N).
2. Brug multifunktions-skruenøglen til at løsne og fjerne låseskruen. Brug en fedtsprøjte (medfølger ikke) til at pumpe fedt ind i skruhullet; fyld op til højst 3/4 af kapaciteten.
3. Når der er pumpet fedt ind, spændes tætningskruen.

DK

## OPBEVARING AF APPARATET

- Fjern batteripakken fra kantskæreren.
- Rengør værktøjet grundigt, før det lægges væk.
- Hvis kantskæreren tilbehør er afmonteret fra motordelen og opbevares særskilt, sættes endedækslet på tilbehørets skaft for at undgå at snavs trænger ind i koblingsstykket.
- Opbevar apparatet på et tørt og godt ventileret sted, der er låst og utilgængeligt for børn. Opbevar ikke apparatet på eller ved siden af gødning, benzin eller andre kemikalier.

## Beskyttelse af miljøet



Smid ikke elektrisk udstyr, batterioplader og batterier / genopladelige batterier i affaldsspanden!

Ifølge EU-direktiv 2012/19/EU og EU-direktiv 2006/66/EF skal henholdsvis elektrisk og elektronisk udstyr, der ikke længere er brugbart, og defekte eller brugte batterier / batteripakker indsamles særskilt.

Hvis elektriske apparater smides på lossepladsen eller affaldsdeponier kan der sive giftige stoffer ned i grundvandet og komme ud i fødekæden og gøre skade på menneskers sundhed og velfærd.

## EF-OVERENSSTEMMELSESERKLÆRING

Vi, EGO EUROPE GMBH

Wahlwiesenstrasse 1, D-71711 Steinheim an der Murr  
Deutschland

Erklærer, at produkt **56V lithium-ion akku kantskærer-tilbehør EA0800**, udstyret med motordel PH1400E

er i overensstemmelse med de væsentlige sikkerheds- og sundhedskrav i følgende direktiver:

2006/42/EF, 2014/30/EU 2011/65/EU, 2000/14/EF

Anførte standarder og tekniske specifikationer:

EN 60745-1, ISO 11789-1, EN 55014-1, EN 55014-2

Målt lydeffektniveau: 92,4 dB(A),

Garanteret lydeffektniveau: 95 dB(A)

Peter Melrose  
Administrerende direktør for  
EGO Europe GmbH

Dong Jianxun  
kvalitetschef for Chervon

\* (Autoriseret repræsentant for CHERVON og ansvarlig for tekniske dokumentationer)

01/12/2016



## FEJLFINDING

PROBLEM	ÅRSAG	LØSNING
Motoren starter ikke.	<ul style="list-style-type: none"> <li>■ Batteripakken er ikke sat i motordelen.</li> <li>■ Ingen elektrisk kontakt mellem motordel og batteripakke.</li> <li>■ Batteripakken er afladet.</li> <li>■ Knap og startknappen er ikke blevet trykket ned samtidigt.</li> </ul>	<ul style="list-style-type: none"> <li>■ Sæt batteripakken i motordelen.</li> <li>■ Tag batteripakken ud, kontrollér kontakterne, og sæt batteripakken i igen, indtil den klikker på plads.</li> <li>■ Oplad batteriet med de opladere fra EGO, der er anført i denne vejledning.</li> <li>■ Tryk ned på låseknappen, og hold den i denne stilling. Tryk på startknappen for at tænde motordelen.</li> </ul>
Motordel stopper under drift.	<ul style="list-style-type: none"> <li>■ Motoren er overbelastet.</li> <li>■ Batteripakken eller motordelen er for varm.</li> <li>■ Batteripakken er taget af værktøjet.</li> <li>■ Batteripakken er afladet.</li> </ul>	<ul style="list-style-type: none"> <li>■ Motoren vil begynde at køre igen, når belastningen mindskes. Formindsk belastningen, når der arbejdes igen.</li> <li>■ Lad batteripakken eller motordelen køle ned, indtil temperaturen kommer under 67 °C.</li> <li>■ Sæt batteripakken på plads igen.</li> <li>■ Oplad batteriet med de opladere fra EGO, der er anført i denne vejledning.</li> </ul>
Ujævn kant	<ul style="list-style-type: none"> <li>■ Det er for vådt i det område, hvor der skæres græs eller jord.</li> <li>■ Beskyttelseskærmen er tilstoppet.</li> </ul>	<ul style="list-style-type: none"> <li>■ Undgå at skære kanter i våd jord eller fugtigt græs.</li> <li>■ Stop motoren og fjern batteripakken, og fjern tilstopningen fra beskyttelseskærmen.</li> </ul>

DK

## GARANTI

### EGO's GARANTIPOLITIK

Besøg venligst hjemmesiden [egopowerplus.com](http://egopowerplus.com) for fuldstændige vilkår og betingelser for EGO's garantipolitik.

## LÄS IGENOM ALLA INSTRUKTIONER!



### LÄS IGENOM BRUKSANVISNINGEN

**⚠ Kvarstående risker!** Personer med elektroniska implantat såsom hjärtstimulatorer bör konsultera sin(a) läkare innan de använder denna produkt. Användning av elutrustning nära en hjärtstimulator kan störa eller avbryta dess funktion.

**⚠ VARNING!** Alla reparationer bör utföras av en kvalificerad servicetekniker för att upprätthålla produktens säkerhet och driftssäkerhet.

## SÄKERHETSSYMBOLER

Syftet med säkerhetssymboler är att fästa din uppmärksamhet på eventuella risker. Säkerhetssymbolerna och deras betydelser bör uppmärksammas nogga och förstås. Själva varningssymboler kan dock inte förebygga någon fara. De instruktioner och varningar som de hänvisar till kan aldrig ersätta lämpliga olycksförebyggande åtgärder.

**⚠ VARNING!** Se till att läsa igenom och förstå alla säkerhetsinstruktioner i bruksanvisningen, inklusive alla varningssymboler såsom **“RISK”**, **“VARNING”** och **“VAR FÖRSIKTIG”**, innan produkten tas i bruk. Underlåtenhet att följa alla nedan angivna instruktioner kan leda till elstöt, brand och/eller svår personskada

## YMBOLERNAS BETYDELSE

**⚠ SÄKERHETSRELATERAD VARNINGSSYMBOL:** Betecknar **RISK**, **VARNING** eller **VAR FÖRSIKTIG**. Kan förekomma i samband med andra symboler eller piktogram.

**⚠ VARNING!** Arbete med eldrivna verktyg kan medföra att främmande föremål slungas upp i ögonen vilket kan orsaka svåra ögonskador. Ta alltid på dig skyddsglasögon eller skyddsglasögon med sidoskydd och vid behov ett komplett ansiktsskydd innan du börjar arbeta med eldrivna verktyg. Vi rekommenderar att använda en Wide Vision Safety Mask ovanpå glasögon eller vanliga skyddsglasögon med sidoskydd.

## SÄKERHETSINSTRUKTIONER

På denna sida anges säkerhetssymboler som kan förekomma på produkten. Alla instruktioner som anges på enheten bör granskas, förstås och följas innan du försöker montera och använda den.

	Säkerhetsvarning	Indikerar en potentiell risk för personskador.
	Läs igenom bruksanvisningen	Användaren bör läsa igenom och förstå bruksanvisningen innan produkten tas i bruk för att minska risken för personskada.
	Använd öron- och ögonskydd	Ha alltid på dig skyddsglasögon eller skyddsglasögon med sidoskydd och ett komplett ansiktsskydd under arbete med denna produkt.
	Håll åskådare på ett säkert avstånd	Se till att övriga personer och husdjur befinner sig på ett betryggande avstånd från kantskäraren när den används.
	Skärbladens riktning på kantskäraren	Indikerar riktningen för skärbladets rotation.
	Ivägslungade objekt	Undersök grundligt ytan där utrustningen ska användas och ta bort alla stenar, pinnar, trådar, ben och andra främmande föremål.
	Roterande skärblad	Placera inte händer eller fötter i närheten eller under de roterande delarna.
	Får inte utsättas för regn	Får inte användas i regn eller lämnas utomhus medan det regnar.
	CE	Denna produkt är i enlighet med gällande EC-direktiv.
	WEEE	Förbrukade elektriska produkter får inte kastas i hushållssoporna. Lämnas in dem till en auktoriserad återvinningsstation.
	Brus	Garanterad ljudeffektivnivå. Bulleremissioner för omgivningen enligt EU-direktiv.
V	Volt	Spänning
mm	Millimeter	Längd eller storlek

SE

cm	Centimeter	Längd eller storlek
kg	Kilogram	Vikt
	Likström	Strömmens typ eller egenskap

## VIKTIGA SÄKERHETSINSTRUKTIONER

**⚠️ VARNING!** Grundläggande försiktighetsåtgärder bör alltid vidtas vid användning av grässtrimmers för att minska risken för brand, elstöt och personskada, bl a de nedan angivna:

### LÄS NOGA IGENOM FÖRE ANVÄNDNING

#### SPARA FÖR FRAMTIDA BEHOV

**⚠️ FARA!** Lita inte enbart på verktygets isolering för skydd mot elstöt. Maskinen får aldrig användas nära ledningar eller kablar (el osv) som kan vara spänningsatta.

**⚠️ FÖRSIKTIGHET!** Ha på dig lämpligt hörselskydd under arbetet. I vissa förhållanden och vid längre användning kan buller från produkten bidra till hörselnedsättning.

#### Utbildning

- Läs noga igenom instruktionerna. Lär känna styrenheterna och korrekt användning av maskinen.
- Låt inga personer som inte är förtrogna med dessa instruktioner använda maskinen. Lokala föreskrifter kan begränsa användarens ålder.
- Använd aldrig kantskäraren när personer, särskilt barn eller husdjur finns i närheten.
- Glöm inte att operatören eller användaren ansvarar för olyckor och risker som andra personer eller deras egendom utsätts för.

#### Förberedelse

- Vid kantskäring, använd alltid ögon- och hörselskydd, kraftiga skor och långbyxor.
- Undersök grundligt ytan där utrustningen ska användas och ta bort alla stenar, pinnar, trådar, ben och andra främmande föremål.
- Före användning, kontrollera alltid visuellt så att skärbladen och dess bultar samt skärreggatet inte är slitna eller skadade. Byt ut slitna eller skadade skärblad och bultar i set för att bibehålla balansen.

#### ANVÄNDNING

- Arbeta endast i dagsljus eller i bra artificiellt ljus.
- Se alltid till att ha bra fotfäste när marken lutar.
- Gå, spring aldrig.

- Var extra försiktig när du backar eller drar kantskäraren mot dig.
- Se till att skärbladet har stoppats innan du går över andra ytor än gräs och vid transport av kantskäraren till och från arbetsområdet.
- Använd aldrig kantskäraren med defekta, saknade eller felaktigt monterade skydd.
- Ändra inte motorns regulatorinställningar och övervarva inte motorn.
- Slå på motorswitchen enligt instruktionerna och håll fötterna borta från skärbladen.
- Starta inte motorn när en åskådare står framför skärbladen.
- Placera inte händer eller fötter i närheten eller under de roterande delarna.
- Stäng alltid av motorn och koppla från batteriet:
  - 1) Innan du tar bort blockeringar.
  - 2) Före kontroll, rengöring eller arbete utförs på skärbladen.
  - 3) Efter att du träffat ett främmande föremål. Kontrollera skärbladen efter skador och utför reparationer innan du använder kantskäraren igen.
  - 4) Om kantskäraren börjar vibrera onormalt (kontrollera omedelbart).
- Stoppa alltid motorn när kantskäraren lämnas.
- Batteripacket får inte laddas i regn eller våta.
- Använd endast med nedan angivna batteripack och laddare:

BATTERI	LADDARE
BA1120E, BA2240E, BA2800,	CH2100E
BA3360, BA4200	CH5500E

- Ta ut batteripacket ur maskinen innan den kasseras.
- Kassera det uttjänta batteriet på ett säkert sätt.
- Batteriet får inte kastas i eld. Cellerna kan explodera. Rådfråga lokala myndigheter om eventuella särskilda regler om hantering
- Försök aldrig att öppna eller bryta sönder batteriet. Utläckt elektrolyt är frätande och kan skada ögonen eller huden. Den kan vara giftig vid förtäring.
- Hantera batterier försiktigt för att undvika kortslutning pga strömförande material såsom ringar, armband och nycklar. Batteriet eller det strömförande föremålet kan bli hett och orsaka brännsår.
- Batteridrivna verktyg behöver inte anslutas till ett uttag; därför är de alltid användningsklara. Var medveten om eventuella risker medan det batteridrivna verktyget inte används. Var försiktig vid underhåll eller service.

SE

- Spola inte med vatten; undvik intrång av vatten i motorn och elkopplingarna.

## Underhåll och förvaring

- Se till att alla muttrar, bultar och skruvar är ordentligt åtdragna för att säkerställa att utrustningen är i ett säkert skick.
- Byt ut slitna eller skadade delar.
- Försök inte att reparera maskinen såvida du inte är kvalificerad för det.
- Använd endast utbytesdelar och tillbehör som rekommenderas av tillverkaren.
- Koppla bort batteriet från maskinen innan du utför underhåll eller rengöring.
- Inspektera och underhåll maskinen regelbundet. Överlåt reparation av maskinen till en auktoriserad reparatör.
- Förvara maskinen utom räckhåll för barn när den inte används.
- Om situationer uppstår som inte tas upp i denna manual, var försiktig och använd sunt förnuft. Kontakta EGO Service Center för hjälp.
- Spara dessa instruktioner. Hänvisa till dem regelbundet och använd dem även för att instruera andra hur man använder detta verktyg. Om du lånar ut detta verktyg till någon, se även till att låna ut dessa instruktioner för att förhindra att produkten används felaktigt eller orsakar eventuella personskador.

## SPARA DESSA INSTRUKTIONER

**OBS! SE MOTORENHETENS BRUKSANVISNING FÖR KOMPLETTERANDE SÄKERHETSREGLER.**

## SPECIFIKATIONER

Skärbladens längd	20 cm	
Kantskärningens djup	Upp till 75 mm	
Vikt	2,26 kg	
Uppmätt ljudeffektnivå $L_{WA}$	92,4 dB(A) K=2,07 dB(A)	
Ljudtrycksnivå vid operatörens öra $L_{PA}$	79,8 dB(A) K=3 dB(A)	
Garanterad ljudeffektnivå $L_{WA}$ (uppmätt i enlighet med 2000/14/EC)	95 dB(A)	
Vibration $a_h$	Främre handtag	1,2 m/s <sup>2</sup> K=1,5 m/s <sup>2</sup>
	Bakre handtag	2,2 m/s <sup>2</sup> K=1,5 m/s <sup>2</sup>

- Ovanstående parametrar har testats och utmätts med motorenhet PH1400E;
- Det angivna totalvärdet för vibration är uppmätt enligt standardprovningemetoden och kan användas för att jämföra olika verktyg;
- Det angivna totalvärdet för vibration kan även användas vid preliminär utvärdering av exponering.

**OBS!** Den verkliga vibrationen under arbete med det eldrivna verktyget kan avvika från det angivna värdet. Användaren bör ha på sig lämpliga handskar och hörselskydd för de aktuella arbetsförhållandena för att skydda sig.

## LEVERANSLISTA

ARTIKELNAMN	ANTAL
Kantskärare-tillbehör	1
Insexnyckel	1
Multifunktionell skiftnyckel	1
Saxsprint	2
Bruksanvisning	1

## Rekommenderat skärblad

ARTIKELNAMN	MODELLNUMMER
Skärblad för kantskärare	AEB0800

## BESKRIVNING

### LÄR KÄNNA DITT KANTSKÄRARE-TILLBEHÖR (bild A)

1. Ändlock
2. Kantskärarens axel
3. Skärbladsskydd
4. Skärblad
5. Vred för djupjustering
6. Styrhjul
7. Insexnyckel
8. Multifunktionell skiftnyckel
9. Styrskena för djupjustering
10. Skräpklaff
11. Saxsprint
12. Skruv för att låsa styrplattan på plats
13. Styrplatta

## MONTERING

**⚠ VARNING!** Om någon av delarna skadats eller saknas, använd inte denna produkt förrän delarna har bytts ut. Användning av denna produkt med skadade eller saknade delar kan resultera i allvarliga personskador.

**⚠ VARNING!** Försök inte att modifiera denna produkt eller skapa tillbehör som inte rekommenderas för användning med denna trädtrimmer. Alla sådana ändringar eller modifieringar är felaktig användning och resulterar i farliga förhållanden som kan leda till allvarliga personskador.

**⚠ VARNING!** Justera inte skärbladsskyddet. Skärbladsskyddet har ställts in på fabrik så att pilen på skärbladsskyddet och den öppna sidan är riktad bort från användaren. Detta säkerställer att sticklingar och annat skräp riktas bort från det motordrivna verktyget och användaren.

### ANSLUTA KANTSKÄRARE-TILLBEHÖRET TILL MOTORENHETEN

Detta kantskärare-tillbehör är utvecklat för användning med EGO motorenhet PH1400E med 56 volts litium-jon-batteri.

Se avsnittet "MONTERA ETT TILLBEHÖR TILL MOTORENHETEN" i bruksanvisningen för motorenhet PH1400E.

## ANVÄNDNING

**⚠ VARNING!** Var aldrig vårdslös, även om du är väl förtrogen med verktyget. Glöm inte att en bråkdel av en sekund av ouppmärksamhet är tillräcklig för att orsaka svåra personskador

**⚠ VARNING!** Ha alltid på dig skyddsglasögon med sidoskydd och även hörselskydd. Underlåtenhet att följa denna regel kan leda till ögonskador pga utslungade föremål och andra svåra personskador.

### TILLÄMPNINGAR

Du kan använda denna produkt för de tillämpningar som listas nedan:

- Kantskäring runt gångbanor, trottoarkanter, rabatter och liknande områden.

**OBS!** Verktyget får endast användas för sitt avsedda ändamål. All annan användning bedöms som felaktig användning.

**Kontrollera maskinen för skada/nötta detaljer före varje användning**

Kontrollera trimmerhuvudet, skyddet och det främre hjälphanthaget och byt ut spruckna, skeva, böjda eller annars skadade detaljer.

**⚠ VARNING!** För att förhindra allvarliga personskador, ta ut batteripaketet före service, rengöring, ändring av tillbehör eller borttagning av material från enheten.

### ANVÄNDA KANTSKÄRARE-TILLBEHÖRET MED MOTORENHETEN

**⚠ VARNING!** Använd korrekta kläder för att minska risken för personskador vid användning av detta verktyg. Använd inte löst sittande kläder eller smycken. Använd ögon- och öron-/hörselskydd. Använd rejäla långbyxor, kängor och handskar. Använd inte kortbyxor, sandaler eller gå barfota. Använd en ansikts- eller dammask på dammiga platser.

**⚠ VARNING!** Ta bort alla hinder och fasta föremål från arbetsområdet.

För en säkrare och bättre användning, använd axelremmen över din axel. Justera axelremmen för ett bekvämt arbetsläge.

Håll kantskäraren med höger hand på det bakre handtaget och den vänstra handen på det främre handtaget. Håll verktyget stadigt med båda händerna vid användning. Kantskäraren bör hållas i ett bekvämt läge med det bakre handtaget kring höfthöjd (bild B).

**⚠ VARNING!** Axelremmen är även en snabb frigöringsmekanisk vid farliga situationer. När ett nödläge inträffar, ta omedelbart av den från axeln oavsett vilket läge som remmen är i.

### Rengör kantskäraren efter varje användning.

Se avsnittet UNDERHÅLL för rengöringsinstruktioner.

### JUSTERA SKÄRDJUP

1. Stoppa motorn och ta bort batteripaketet.
2. Lossa på vreden för djupjustering i den riktning som markeras på pilen för upplåsning (bild C).
3. Flytta styrhjulet, längs med styrskenan för djupjustering, uppåt för att öka skärdjupet eller neråt för att minska djupet (bild D).
4. Justera styrhjulet så att skärbladet precis nuddar marken eller bryter jordytan med högst 5 mm (bild E) och dra sedan åt det ordentligt.
5. Stå i normalt arbetsläge och kontrollera skärdjupet igen, korrigera om nödvändigt.

### STARTA/STOPPA VERKTYGET

Se avsnittet "STARTA/STOPPA MOTORENHETEN" i bruksanvisningen för motorenhet PH1400E.

## TIPS VID ANVÄNDNING

- Håll och guida motorenheten så att skärbladet är vertikalt. Använd siktlinjen för att rikta in skärbladet med kanten (bild F).
- Använd inte apparaten i ett högre tempo än normal gånghastighet. Om skärbladet börjar fastna skär du för snabbt, gå långsammare.
- Gå alltid framåt vid skärning och för kantskäraren framåt. Dra inte kantskäraren mot dig.
- Forcera inte skärbladet mot marken. En lätt kontakt av skärbladet mot trottoar, trottoarkant osv. är acceptabelt och kommer inte att skada kantskäraren.
- Bästa resultat erhålls när gräset är torrt. Undvik att kantskära i områden med blöt jord eller vått gräs, annars kan skärbladsskyddet stockas igen och resultera i en ojämn kantskärning. Om skärbladsskyddet stockas igen, stoppa motorn, ta ut batteripacket och ta sedan bort skräpet från skärbladsskyddet.

SE

## UNDERHÅLL

**⚠ VARNING!** Före inspektion, rengöring eller service av enheten, stoppa motorn, vänta tills alla rörliga delar har stoppats och ta sedan ut batteripacket. Underlåtenhet att följa dessa instruktioner kan resultera i allvarliga personskador eller skada på egendom.

**⚠ VARNING!** Använd endast identiska reservdelar vid service. Användning av andra detaljer kan leda till risker eller skada på produkten. Granska maskinen och utför underhåll regelbundet. Alla reparationer bör utföras av en kvalificerad servicetekniker för att upprätthålla säkerhet och driftsäkerhet.

## ALLMÄNT UNDERHÅLL

Använd inte lösningsmedel när du rengör plastdelarna. De flesta plaster är känsliga för skador från olika typer av kommersiella lösningsmedel och kan skadas av dess användning. Använd rena trasor för att ta bort smuts, damm, olja, fett osv.

## RENGÖRING AV MASKINEN

- Efter varje användning, ta bort skräp, stockad jord eller gräs från skärbladet och skyddet med en mjuk borste. Torka av kantskärarens yta med en ren trasa fuktad med en mild tvållösning.
- Rengör luftöppningarna i skafvet med hjälp av en liten borste eller utblås av en liten handdamsugare.

**OBS!** Använd inte starka rengöringsmedel på plasthöljet eller handtaget. Det kan orsaka skador av vissa aromatiska oljor som t.ex. tall och citron.

## BYTA UT SKÄRBLADET

**⚠ VARNING!** Ett trasigt skärblad måste bytas ut. Försök inte att råta ut eller svetsa ett böjt eller sprucket skärblad eftersom det kan gå sönder. Rekommenderade EGO-skärblad för kantskäraren hittas i avsnittet **"Rekommenderade skärblad"**.

**OBS!** Byt ut skärbladet om dess längd inte längre är tillräcklig för att bibehålla nödvändig markfrigång och önskat skärdjup.

**⚠ VARNING!** Skydda alltid händer genom att använda kraftiga handskar eller linda in skärbladet med trasor eller annat material när underhåll av kantskärarens skärblad utförs.

## Ta bort skärbladet

1. Stoppa motorn och ta bort batteripacket.
2. Lägg kantskäraren på rygg så att skärbladet pekar uppåt.
3. Använd skyddshandskar. Använd en nåltång (medföljer ej) för att ta bort saxsprinten på motoraxeln (bild G).
4. Roter skärbladet för att rikta in skåran i flänsen med hålet på växelhuset (bild G).

Bild G. Se nedan för beskrivning av delar:

G-1	Saxsprint
G-2	Innerfläns
G-3	Växelhus

5. För in insexnyckeln (medföljer) i de inriktade hålen för att fungera som en stabilisator. Använd den multifunktionella skiftnyckeln (medföljer) för att lossa på muttern **MEDURS** (bild H).
6. Ta bort muttern, den yttre flänsen, skärbladet och innerflänsen från motoraxeln (bild I). Kontrollera och byt ut dem om de är slitna.

Bild I. Se nedan för beskrivning av delar:

I-1	Motoraxel	I-5	Kniv
I-2	Innerfläns	I-6	Yttre fläns
I-3	Skåra i innerflänsen	I-7	Mutter
I-4	Utbuktning på innerflänsen	I-8	Saxsprint

## Montera skärbladet

1. Placera innerflänsen mot motoraxeln med utbuktningen riktad utåt (bild I).
2. Montera det nya skärbladet mot innerflänsen, säkerställ att skärbladet är monterad korrekt på plats (bild J).

3. Montera den yttre flänsen och muttern på axeln, och dra åt muttern **MOTURS** för hand.
4. Följ ovanstående steg 4 och 5 i "Ta bort skärbladet" för att stabilisera skärbladet för att ordentligt dra åt muttern **MOTURS**.
5. Tryck in en ny saxsprint (medföljer) i hålet på motoraxeln. Böj saxsprintens "fötter" i motsatt riktning med en nåltång (medföljer ej) (bild G).

#### BYTA UT STYRHJULET

1. Stoppa motorn och ta bort batteripacket.
2. Lägg kantskäraren på rygg så att styrhjulet pekar uppåt.
3. Lossa på vredet för djupjustering i den riktning som markeras på pilen för upplåsning och ta sedan bort den.
4. Ta bort fjäderbrickan, planbricka 1, styrhjul, bussning och planbricka 2 från skruvstången (bild K). Kontrollera och byt ut dem om de är slitna.
5. Montera först skruvstången genom styrskäraren för djupjustering och montera sedan planbricka 2, bussningen och det nya hjulet. Montera sedan planbricka 1, fjäderbrickan och vredet för djupjustering på skruvstången i den ordning som visas i bild K.

Bild K. Se nedan för beskrivning av delar:

K-1	Vred för djupjustering	K-5	Bussning
K-2	Fjäderbricka	K-6	Planbricka 2
K-3	Planbricka 1	K-7	Skruvstång
K-4	Styrhjul	K-8	Styrskena för djupjustering

**OBS!** Montera styrhjulet med de platta listerna riktade inåt (bild L).

Bild L. Se nedan för beskrivning av delar:

L-1	Skrubar	L-3	Skräpklauff
L-2	Platt list	L-4	Fästplatta

6. Lås vredet för djupjustering.

#### BYTA UT SKRÄPKLAFFEN (bild L)

1. Stoppa motorn och ta bort batteripacket.
2. Använd insexnyckeln för att lossa de två skruvarna.
3. Ta bort skruvarna, fästplattan och den slitna skräpklaffen.
4. Montera den nya skräpklaffen och lås den på plats med fästplattan och de två skruvarna.

#### KONTROLLERA OCH BYTA UT DET SLITAGESKYDDADE SKYDDET/STYRPLATTAN (bild M)

Kontrollera det slitageskyddade skyddet och styrplattan efter skador innan det motordrivna verktyget startas. Det slitageskyddade skyddet måste bytas ut så snart som växelhuset blir synligt.

**OBS!** Växelhuset kan skadas allvarligt om du inte byter ut det slitageskyddade skyddet när växelhuset är synligt.

1. Stoppa motorn och ta bort batteripacket.
2. Använd skyddshandskar. Roter skärbladet om nödvändigt för att hitta de två skruvarna.
3. Använd insexnyckeln (medföljer) för att lossa de två skruvarna och ta bort dem.

**OBS!** Om du bara behöver byta ut styrplattan, lossa och ta endast bort skruv 1.

4. Byt ut den deformerade eller slitna skyddet/styrplattan.
5. Montera det nya slitageskyddade skyddet och styrplattan på växelhuset och fixera på plats med de två skruvarna.

Bild M. Se nedan för beskrivning av delar:

M-1	Skruv 1	M-4	Slitageskyddat skydd
M-2	Styrplatta	M-5	Monteringshål
M-3	Skruv 2	M-6	Växelhushus

#### TA BORT STYRPLATTAN

Om du har erfarenhet av denna typ av kantskärare, eller om du tycker att styrplattan hindrar din användning, kan du ta bort styrplattan.

1. Lossa och ta bort skruv 1.
2. Ta bort styrplattan.
3. Sätt tillbaka och dra åt skruv 1.

#### SMÖRJNING AV VÄXELLÅDAN

Växellådan i växelhuset måste smörjas regelbundet med växellådsolja. Kontrollera växellådans fettnivå efter varje 50 timmars användning genom att ta bort tätningsskruven på sidan av växelhuset.

Om inget fett kan ses på sidorna, följ stegen nedan för att fylla på med växellådsolja upp till 3/4 kapacitet.

Fyll inte upp den fullt.

1. Placera kantskäraren uppåt så att tätningsskruven är riktad uppåt (bild N).
2. Använd den multifunktionella skiftnyckeln (medföljer) för att lossa och ta bort tätningsskruven. Använd en fettspruta (medföljer ej) för att trycka in lite fett i skruvhålet. Överskrid inte 3/4 kapacitet.
3. Dra åt tätningsskruven efter appliceringen.

## FÖRVARA ENHETEN

- Ta bort batteriet från kantskäraren
- Rengör maskinen noggrant innan den ställs av.
- Om kantskärarens tillbehör tas bort från motorenheten och förvaras separat, montera ändlocket på tillbehörsaxeln för att undvika att smuts tränger in i kopplingen.
- Förvara maskinen i ett torrt, väl ventilerat, låst eller högt beläget ställe, oåtkomligt för barn. Maskinen får inte förvaras på eller nära konstgödsel, bensin eller andra kemikalier.

## Miljöskydd



SE

Elektriska enheter, batteriladdare och batterier/uppladdningsbara batterier får inte kastas med hushållsavfall!

Enligt det europeiska direktivet 2012/19/EU ska uttjänta elektriska och elektroniska enheter samlas separat; samma gäller för defekta eller uttjänta batteripack/batterier enligt det europeiska direktivet 2006/66/EG.

Om elektriska enheter hamnar i soptippar eller avfallsdepåer kan farliga ämnen läcka ut till grundvattnet, hamna i näringskedjan och skada din hälsa och ditt välmående.

## EG-FÖRSÄKRAN OM ÖVERENSSTÄMMELSE



Vi, EGO EUROPE GMBH

Wahlwiesenstrasse 1, D-71711 Steinheim an der Murr  
Deutschland

Fastställer att tillsats för **sladdlös kantartrimmare EA0800 med 56 V litium-jon-batteri**, utrustad med motorenhet Ph1400E

Uppfyller de grundläggande kraven i följande direktiv om hälsa och säkerhet:

2006/42/EC, 2014/30/EU, 2011/65/EU, 2000/14/EC

Tillämpade standarder och tekniska specifikationer:

EN 60745-1, ISO 11789-1, EN 55014-1, EN 55014-2

Uppmätt ljudeffektnivå: 92,4 dB(A),

Garanterad ljudeffektnivå: 95 dB(A)

Peter Melrose  
VD för EGO Europe GmbH

Dong Jianxun  
Kvalitetsansvarig hos Chervon

\* (Auktoriserad representant för CHERVON och ansvarig för teknisk dokumentation)

01/12/2016



## FELSÖKNING

PROBLEM	ORSAK	ÅTGÄRD
Motorn startar inte.	<ul style="list-style-type: none"> <li>■ Batteripacket är inte monterat på motorenheten.</li> <li>■ Det saknas elektrisk kontakt mellan motorenheten och batteripacket.</li> <li>■ Batteripacket är urladdat.</li> <li>■ Säkringen och avtryckaren är inte nedtryckta samtidigt.</li> </ul>	<ul style="list-style-type: none"> <li>■ Montera batteripacket på motorenheten.</li> <li>■ Ta bort batteriet, kontrollera kontaktorna och sätt tillbaka batteripaketet tills det klickar på plats.</li> <li>■ Byt ut batteripacket med EGO-laddarna som listas i denna bruksanvisning.</li> <li>■ Håll säkringen nedtryckt och tryck sedan ner avtryckaren för att starta grästrimmern.</li> </ul>
Motorenheten stannar vid användning.	<ul style="list-style-type: none"> <li>■ Motorn är överbelastad.</li> <li>■ Batteripacket eller motorenheten är överhettad.</li> <li>■ Batteripacket är inte anslutet till verktyget.</li> <li>■ Batteripacket är urladdat.</li> </ul>	<ul style="list-style-type: none"> <li>■ Motorn hämtar igen sig när belastningen har tagits bort. För kontinuerlig användning, minska motorenhetens belastning.</li> <li>■ Låt batteripacket eller motorenheten svalna tills temperaturen sjunker under 67 °C.</li> <li>■ Montera batteripacket igen.</li> <li>■ Charge the battery pack with EGO chargers listed in this manual.</li> </ul>
Ojämn kant	<ul style="list-style-type: none"> <li>■ Det kantskurna gräset eller marken är för blött.</li> <li>■ Skärbladsskyddet har stockat igen.</li> </ul>	<ul style="list-style-type: none"> <li>■ Undvik att kantskära i våt mark eller blött gräs.</li> <li>■ Stoppa motorn, ta ut batteripacket och ta bort skräpet från skärbladsskyddet.</li> </ul>

SE

## GARANTI

### GARANTIVILLKOREN AV EGO

Var god besök webbplatsen [egopowerplus.com](http://egopowerplus.com) för att se de fullständiga garantivillkoren av EGO.

## LUE KAIKKI OHJEET!



### LUE KÄYTTÖOPAS

**⚠ Jäännösriski!** Henkilöiden, joilla on elektroniikkalaitteita, kuten sydämentahdistimia, tulee neuvotella lääkärin kanssa ennen tuotteen käyttöä. Sähkölaitteiden käyttö sydämentahdistimen läheisyydessä voi aiheuttaa tahdistimeen häiriöitä tai vikoja.

**⚠ VAROITUS:** Valtuutetun huoltoteknikon tulee suorittaa kaikki korjaukset ja osien vaihdot, jotta voidaan taata tuotteen turvallinen ja luotettava käyttö.

## TURVAMERKIT

Turvamerkkien tavoitteena on kiinnittää huomio mahdollisiin vaaroihin. Sinun tulee lukea huolellisesti käyttöohjeet ja ymmärtää turvamerkit ja niiden selitteet. Turvamerkit eivät itsessään poista vaaraa. Niiden antamat ohjeet ja varoitukset eivät korvaa asianmukaisia tapaturman torjuntatoimenpiteitä.

**⚠ VAROITUS:** Varmista, että luet ja ymmärrät kaikki tämän käyttäjän käsikirjan turvallisuusohjeet, mukaan lukien kaikki vaaramerkit, kuten ”**VAARA**”, ”**VAROITUS**” ja ”**HUOMIO**”, ennen kuin käytät työkalua. Alla mainittujen ohjeiden noudattamatta jättäminen voi aiheuttaa sähköiskun, tulipalon ja/tai vakavan henkilövahingon.

### MERKIN SISÄLTÖ

**⚠ VAROITUSMERKKI:** Ilmaisee seuraavia: **VAARA**, **VAROITUS** TAI **HUOMIO**. Voidaan käyttää yhdessä muiden merkkien tai kuvamerkkien kanssa.

**⚠ VAROITUS:** Vierasesineitä voi sähkötyökalujen käytön seurauksena lentää silmiin, ja ne voivat aiheuttaa vakavan silmävamman. Käytä aina suojalaseja tai turvalaseja sivusuojilla ja tarvittaessa kokokasvosuojusta ennen sähkötyökalun käytön aloittamista. Suosittelemme laajan näkökentän kasvosuojusta silmälasien päälle tai vakioturvalaseja sivusuojilla.

## TURVALLISUUSOHJEET

Tällä sivulla esitetään ja kuvataan tähän tuotteeseen mahdollisesti liittyvät turvamerkit. Lue kaikki koneen ohjeet siten, että ymmärrät ne, ja noudata niitä ennen kuin kasaat koneen ja käytät sitä.

	Turvallisuusvaroitukset	Osoittaa mahdollista henkilövahinkojen vaaraa.
	Lue käyttöopas	Tapaturmariskin pienentämiseksi käyttäjän täytyy lukea ja ymmärtää käyttäjän käsikirja ennen tuotteen käyttöä.
	Käytä suojalaseja ja kuulosuojaimia	Käytä aina suojalaseja tai turvalaseja sivusuojilla ja kokokasvosuojusta, kun käytät tätä tuotetta.
	Pidä sivulliset turvallisella etäisyydellä	Varmista, että muut ihmiset ja lemmikit ovat tietyn etäisyyden päässä reunaleikkurista, kun se on käytössä.
	Reunaleikkurin terän pyörimissuunta	Osoittaa reunaleikkurin terän pyörimissuunnan.
	Sinkoutuvia kohteita	Tarkasta alusta, jolla laitetta on tarkoitus käyttää, ja poista kaikki kivet, oksat, rautalangat, luut ja muut vieraat esineet.
	Pyörivä leikkuuterä	Älä laita käsiä tai jalkoja pyörivien osien lähelle tai alle.
	Älä altista sateelle	Älä käytä sateessa tai jätä ulos sateella.
	CE	Tämä tuote vastaa sovellettavia EU-direktiivejä.
	WEEE	Vanhoja sähkölaitteita ei saa hävittää kotitalousjätteen mukana. Vie laita valtuutettuun kierrätyslaitokseen.
	Melu	Taattu äänen tehotaso. Melupäästöt ympäristöön Euroopan yhteisön direktiivin mukaiset.
V	Voltti	Jännite
mm	Millimetri	Pituus tai koko

cm	Senttimetri	Pituus tai koko
kg	Kilogramma	Paino
	Tasavirta	Virran tyyppi tai ominaisuus

## TÄRKEITÄ TURVALLISUUSOHJEITA

**VAROITUS:** Kun käytät trimmeriä, tiettyjä turvallisuuteen liittyviä varotoimenpiteitä tulee aina noudattaa tulipalon, sähköiskun ja henkilövahingon riskin pienentämiseksi. Niitä ovat esimerkiksi seuraavat:

## LUE HUOLELLISESTI ENNEN KÄYTTÖÄ

### SÄILYTYÄ OHJEET HUOLELLISESTI

**VAARA:** Älä luota työkalun sähköiskueristykseen. Tappavan sähköiskun riskin pienentämiseksi älä koskaan käytä konetta (sähkö- jne.) johtojen tai kaapeleiden läheisyydessä, koska ne voivat kuljuttaa sähkövirtaa.

**HUOMAUTUS:** Pidä käytön aikana asianmukaista kuulosuojainta. Tiettyissä käyttöolosuhteissa ja käytön kestäessä tietyn aikaa tuotteen melu voi aiheuttaa kuulovaurioita.

### Ennen käyttöä

- Lue ohjeet huolellisesti. Pehedy hallintalaitteisiin ja koneen asianmukaiseen käyttöön.
- Älä anna näihin ohjeisiin perehtymättömien henkilöiden tai lasten koskaan käyttää konetta. Paikalliset säännöt voivat rajoittaa käyttäjän ikää.
- Älä koskaan käytä reunaleikkuria, jos lähellä on ihmisiä, erityisesti lapsia, tai lemmikkejä.
- Muista, että laitteen käyttäjä on vastuussa muille henkilöille tai heidän omaisuudelleen sattuvista tapaturmista tai aiheutuvista vaurioista.

### Käytön valmistelu

- Käytä aina suojalaseja ja kuulosuojaimia, kunnollisia jalkineita ja pitkähihaisia housuja, kun käytät reunaleikkuria.
- Tarkasta alusta, jolla laitetta on tarkoitus käyttää, ja poista kaikki kivet, oksat, rautalangat, luut ja muut vieraat esineet.
- Tarkista aina ennen käyttöä, etteivät terät, terän pultit ja leikkurikokoonpano ole kuluneet tai vahingoittuneet. Vaihda kuluneet tai vahingoittuneet terät ja pultit sarjoina, jotta laitteen tasapaino säilyy.

### Käyttö

- Käytä reunaleikkuria vain päivänvalossa tai hyvässä keinovalaisuksessa.

- Pidä aina tukeva asento rinteissä.
- Kävele, älä juokse.
- Ole erittäin varovainen, kun peruutat tai vedät reunaleikkuria itseäsi kohti.
- Varmista, että terä on pysähtynyt ennen kuin ylität muita kuin ruohopintoja tai kun kuljetat reunaleikkuria leikattavalle alueelle tai sieltä pois.
- Älä koskaan käytä reunaleikkuria, jos suojuukset ovat vialliset, ne puuttuvat tai on asennettu väärin.
- Älä muuta moottorin säätöasetuksia tai ylitä moottorin suurinta kierrosnopeutta.
- Käynnistä moottori kytkimestä ohjeiden mukaisesti ja siten, että jalat ovat riittävän kaukana teristä.
- Älä käynnistä moottoria, jos joku seisoo terän (terien) edessä.
- Älä laita käsiä tai jalkoja pyörivien osien lähelle tai niiden alle.
- Sammuta moottori ja irrota laite akusta, aina:
  - 1) Ennen tukosten poistamista;
  - 2) Ennen kuin tarkastat tai puhdistat terän (terät) tai teet muita toimenpiteitä;
  - 3) Vieraaseen esineeseen osumisen jälkeen: Tarkasta terä(t) vaurioitumisen varalta ja korjaa ennen uudelleen käynnistämistä ja reunaleikkurin käyttöä.
  - 4) Jos laite alkaa tärästä epänormaalisti (tarkista heti).
- Pysäytä moottori aina, kun jätät reunaleikkurin yksin.
- Älä lataa akkuyksikköä sateessa tai märässä tilassa.
- Käytä vain alla mainittujen akkuyksikköjen ja latauslaitteiden kanssa:

AKKU	LATAUSLAITE
BA1120E, BA2240E, BA2800, BA3360, BA4200	CH2100E CH5500E

- Akkuyksikkö täytyy irrottaa laitteesta ennen laitteen romuttamista.
- Akku on hävitettävä turvallisesti.
- Älä hävitä akkua polttamalla. Kennot voivat räjähtää. Tarkista paikallisista määräyksistä mahdolliset erityiset hävitysohjeet.
- Älä avaa tai turmele akkua. Vuotava akkuhappo on syövyttävää ja voi aiheuttaa silmä- tai ihovaurioita. Happo voi olla myrkyllistä nieltynä.
- Käsittele akkuja varoen, jotta et aiheuta akkuun oikosulkua sähköä johtavilla materiaaleilla, kuten sormuksilla, rannekoruilla ja avaimilla. Akku tai johdin voi ylikuumeta ja aiheuttaa palovammoja.

- Akkutyökaluja ei tarvitse kytkeä sähköverkkoon; ne ovat siksi aina käyttökunnossa. Huomioi mahdolliset vaarat myös silloin, kun työkalua ei käytetä. Ole varovainen, kun suoritat kunnossapitoa tai huoltoa.
- Älä pese letkulla; estä veden pääsy moottoriin ja sähköliitäntöihin

## Kunnossapito ja säilytys

- Pidä kaikki mutterit, pultit ja ruuvit kiristettyinä, jotta varmistat laitteen turvallisen toimintakunnon.
- Vaihda kuluneet tai rikkoutuneet osat.
- Älä yritä korjata konetta, ellei sinulla ole pätevyyttä siihen.
- Käytä vain valmistajan suosittelemia varaosia ja tarvikkeita.
- Irrota kone akusta ennen kuin teet mitään huolto- tai puhdistustoimenpiteitä.
- Tarkasta kone ja huolla sitä säännöllisesti. Anna vain valtuutettujen korjaajien korjata laite.
- Kun laite ei ole käytössä, säilytä sitä lasten ulottumattomissa.
- Jos kohtaat tilanteen, jota ei tässä käyttöoppaassa käsitellä, toimi varoen ja käytä omaa harkintakykyäsi. Pyydä lisäohjeita EGO-huoltokeskuksesta.
- Säilytä nämä ohjeet. Tarkasta ohjeet usein ja käytä niitä ohjeistamaan muita, jotka saattavat käyttää tätä laitetta. Jos lainaat tämän laitteen jollekulle muulle, lainaa samalla myös nämä ohjeet laitteen väärinkäytön tai mahdollisen vammian estämiseksi.

## SÄILYTÄ NÄMÄ OHJEET!

**HUOMAUTUS: KATSO AKKUPÄÄN KÄYTTÖOPPAASTA LISÄÄ ERITYISIÄ TURVALLISUUSOHJEITA.**

## MÄÄRITYKSET

Terän pituus	20 cm	
Leikkaussyvyys	Enintään 75 mm	
Paino	2,26 kg	
Taattu äänen tehotaso $L_{WA}$	92,4 dB(A) K=2,07 dB(A)	
Äänenpaineen taso käyttäjän korvien tasolla $L_{PA}$	79,8 dB(A) K=3 dB(A)	
Mitattu äänen tehotaso $L_{WA}$ (mitattu 2000/14/EC:n mukaisesti)	95 dB(A)	
Väriä $a_n$	Edessä oleva apukahva	1,2 m/s <sup>2</sup> K=1,5 m/s <sup>2</sup>
	Takakahva	2,2 m/s <sup>2</sup> K=1,5 m/s <sup>2</sup>

- Edellä esitetyt parametrit on testattu ja mitattu akkupään PH1400E kanssa;
- Ilmoitettu värinän kokonaisarvo on mitattu standardikoemenetelmän mukaan ja sitä voidaan käyttää verrattaessa työkaluja keskenään
- Ilmoitettua värinän kokonaisarvoa voidaan myös käyttää altistumisen ennakkoarvioinnissa.

**HUOMAA:** Sähkötyökalun todellisen käytön aikana ilmenevä värinä voi erota työkalun käytölle ilmoitetusta arvosta. Käyttäjän suojelemiseksi on todellisissa käyttöolosuhteissa käytettävä käsineitä ja kuulosuojaimia.

## PAKKAUSLUETTELO

OSAN NIMI	MÄÄRÄ
Reunaleikkurilisäosa	1
Kuusiokoloavain	1
Monitoimiavain	1
Saksisokka	2
Käyttäjän käsikirja	1

## Suosittelut terä

OSAN NIMI	MALLIN NUMERO
Reunaleikkurin terä	AEB0800

## KUVAUS

### TUNNE LEIKKURILISÄOSA (Kuva A)

1. Päätetulppa
2. Reunaleikkurin varsi
3. Terän suoja
4. Terä
5. Syvyyden säätönappi
6. Ohjauspyörä
7. Kuusiokoloavain
8. Monitoimiavain
9. Syvyyttä säätävä ohjaustanko
10. Roskaläppä
11. Saksisokka
12. Ruuvi, joka lukitsee ohjauslevyn paikalleen
13. Ohjauslevy

## KOKOONPANO

**VAROITUS:** Jos jokin osa on vahingoittunut tai puuttuu, älä käytä tuotetta ennen kuin osat on vaihdettu. Tuotteen käyttö silloin, kun siinä on vahingoittuneita osia tai osia puuttuu, saattaa aiheuttaa vakavan henkilövamman.

**VAROITUS:** Älä yritä muokata tätä laitetta tai luoda sille lisävarusteita, joita ei suositella käytettäväksi tämän siimaleikkurin kanssa. Mikä tahansa tällainen muokkaus tai muutos on vääriinkäytös ja saattaa aiheuttaa vaarallisen tilan, joka saattaa johtaa vakavaan henkilövammaan.

**VAROITUS:** Älä säädä terän suojusta. Terän suojus on asetettu tehtaalla siten, että terän suojuksen nuoli ja suojuksen avoin sivu osoittavat käyttäjistä pois päin. Tällä varmistetaan se, että leikkuujäte ja muut roskat ohjataan akkutyökalusta ja käyttäjistä pois päin.

## REUNALEIKKURIN KIINNITTÄMINEN AKKUPÄÄHÄN

Tämä reunaleikkurilisäosa on suunniteltu käytettäväksi EGO 56 V litiumioniakkupään PH1400E kanssa.

Katso akkupään PH1400E käyttöoppaasta kohta ”LISÄOSAN ASENTAMINEN AKKUPÄÄHÄN”.

## KÄYTTÖ

**VAROITUS:** Älä anna perehtyneisyyden tuotteeseen saada sinua huolimattomaksi. Muista, että sekunnin murto-osa huolimattomuutta riittää aikaansaamaan vakavan henkilövahingon.

**VAROITUS:** Käytä aina suojalaseja sivusuojilla. Yhdessä kuulosuojaimien kanssa. Muussa tapauksessa silmiin voi lentää roskia ja muita mahdollisia vakavia vahinkoja tapahtua.

## KÄYTTÄMINEN

Voit käyttää laitetta alla lueteltuihin tarkoituksiin:

- Reunojen leikkaus kävelyteiden, jalkakäytävien, kukkapenkien ja muiden vastaavien ympäriltä.

**HUOMAA:** Laitetta tulee käyttää vain sille tarkoitettuun tarkoitukseen. Kaikki muu käyttö katsotaan vääriinkäytöksi.

## Tarkasta trimmeri ennen jokaista käyttöä vaurioituneiden/kuluneiden osien varalta

Tarkasta siimapää, suojus ja tukikahva ja vaihda halkeilleet, vääntyneet, taipuneet tai jollakin tavalla vaurioituneet osat.

**VAROITUS:** Vakavan henkilövamman välttämiseksi poista akku työkalusta ennen kuin huollat tai puhdistat sitä tai vaihdat siihen varusteita tai poistat materiaalia laitteesta.

## REUNALEIKKURIN KIINNITTÄMINEN AKKUPÄÄHÄN

**VAROITUS:** Pukeudu asianmukaisesti, niin vähennät loukkaantumisvaaraa tätä laitetta käyttäessäsi. Älä käytä väljiä vaatteita tai koruja. Käytä suojalaseja ja kuulosuojaimia. Käytä paksuja, pitkälahkeisia housuja, kunnollisia jalkineita ja suojakäsineitä. Älä käytä lyhytlahkeisia housuja, sandaaleita tai ole paljain jaloin. Käytä pölyisissä olosuhteissa hengityssuojainta.

**VAROITUS:** Poista kaikki esteet ja kiinteät kohteet työskentelyalueelta.

Käytön turvallisuuden ja sujuvuuden takia laita olkahihna olan yli. Säädä olkahihnaa, kunnes käyttöasento on mukava.

Pidä reunaleikkurista kiinni aina niin, että oikea kätesi on takakahvalla ja vasen kätesi etuapukahvalla. Pidä kummallakin kädellä työkalusta kunnolla kiinni käytön aikana. Reunaleikkuria tulee pitää miellyttävässä asennossa ja takakahva noin lonkan korkeudella, (kuva B).

**VAROITUS:** Olkahihna on myös nopea vapautusmekanismi vaaratilanteissa. Kun on hätätilanne, ota laite olaltasi välittömästi riippumatta hihnan asennosta.

## Puhdista reunaleikkuri jokaisen käyttökerran jälkeen

Katso HUOLTO-osiesta puhdistamisohjeet.

## LEIKKAUSSYVYYDEN SÄÄTÄMINEN

- Pysäytä moottori ja poista akku.
- Löysää syvyyden säätönuppia nuppiin merkityn avausta ilmaisevan nuolen suuntaan (kuva C).
- Siirrä ohjauspyörää syvyyttä säätävää ohjaustankoa pitkin. Leikkaussyvyys kasvaa siirtämällä ylöspäin ja pienenee siirtämällä alaspäin (kuva D).
- Säädä ohjauspyörä siten, että terä vain koskettaa maata tai rikkoo maanpinnan korkeintaan 5 mm syvyyteen (kuva E) ja kiristä pyörä tiukalle.
- Tarkasta leikkaussyvyys uudelleen, kun seisot normaalissa työskentelyasennossa. Korjaa tarvittaessa.

## TYÖKALUN KÄYNNISTÄMINEN/SAMMUTTAMINEN

Katso akkupään PH1400E käyttöoppaasta kohta ”AKKUPÄÄN KÄYNNISTÄMINEN/SAMMUTTAMINEN”.

## KÄYTTÖVINKKEJÄ

- Pidä ja ohjaa akkupäätä siten, että terä on pystysuorassa. Käytä tähtäysviivaa ja kohdista terä kohteen reunaan (kuva F).
- Älä kulje normaalia kävelyvauhtia nopeammin. Jos terä alkaa juuttua, leikkaa liian nopealla vauhdilla, hidasta askeleitasi.
- Kävele aina leikatessa eteenpäin ja siirrä reunaleikkuria eteenpäin. Älä vedä reunaleikkuria itseäsi kohti.
- Älä pakota terää maahan voimalla. Terän kevyt kosketus kävelytien, jalkakäytävän jne. reunaan on sallittua, eikä vaurioita reunaleikkuria.
- Parhaan tuloksen saat, jos ruoho on kuivaa. Vältä reunaleikkurin käyttöä maan tai ruohon ollessa märkää. Terän suojuus voi silloin tukkeutua ja reunasta tulee epätasainen. Jos terän suojuus tukkeutuu, sammuta moottori, poista akku ja poista tukokset terän suojuksesta.

## FI HUOLTO

**VAROITUS:** Pysäytä moottori, odota kaikkien liikkuvien osien pysähtymistä ja poista akku ennen laitteen tarkastamista, puhdistamista tai huoltamista. Näiden ohjeiden noudattamatta jättäminen saattaa johtaa vakavaan henkilövahinkoon tai omaisuusvahinkoon.

**VAROITUS:** Käytä huollon yhteydessä vain valmistajan hyväksymiä varaosia. Muiden osien käyttö voi aiheuttaa vaaran tai vahingoittaa tuotetta. Tarkasta ja huolla kone säännöllisin väliajoin. Valtuutetun huoltoteknikon tulee suorittaa kaikki korjaukset, jotta voidaan taata tuotteen turvallinen ja luotettava käyttö.

### YLEINEN KUNNOSSAPITO

Vältä liuotinaineiden käyttöä, kun puhdistat muoviosia. Useimmat muovit ovat herkkiä vaurioitumaan erilaisista kaupallisista liuottimista. Poista lika, pöly, öljy, rasva jne. puhtaalla liinalla.

### LAITTEEN PUHDISTUS

- Puhdista lika, tukokset ja ruoho terästä ja suojuksesta pehmeällä harjalla joka käyttökerran jälkeen. Pyyhi reunaleikkurin pinta puhtaalla mietoon saippualluokseen kostutetulla liinalla.
- Puhdista moottorin kotelon tuuletusaukot pienellä harjalla tai pölynimurin harjalla.

**HUOMAA:** Älä käytä voimakkaita puhdistusaineita muoviseen kuoreen tai kahvaan. Ne saattavat vahingoittaa tietyistä aromaattisista öljyistä, kuten mänty ja sitruuna.

## TERÄN VAIHTAMINEN

**VAROITUS:** Älä yritä suoristaa tai hitsata taipunutta tai murtunutta terää, se saattaa katketa. Terä tulee vaihtaa. Suosittelemme vaihtamaan terän vain EGO-reunaleikkurin terään. Katso kohta **"Suositeltu terä"**.

**HUOMAA:** Vaihda terä, jos sen pituus ei enää riitä tarvittavan maavälin säilyttämiseen ja halutun leikkaussyvyyden saamiseen.

**VAROITUS:** Suojaa aina kätesi paksuilla käsineillä tai käärimällä terä rätteihin tai muihin vastaaviin materiaaleihin silloin, kun teet huoltotöitä reunaleikkurin terälle.

### Terän poistaminen

1. Pysäytä moottori ja poista akku.
2. Aseta reunaleikkuri selälleen siten, että terä on ylöspäin.
3. Käytä suojakäsineitä. Poista saksisokka moottorin karasta kärkipihdeillä (ei mukana) (kuva G).
4. Käännä terää, jotta laipan kolo kohdistuu vaihekotelon reikään (kuva G).

Kuvan G osien kuvaus alla:

G-1	Saksisokka
G-2	Sisälaiippa
G-3	Vaihteiston kotelo

5. Työnnä mukana toimitettu kuusiokoloavain kohdistettujen reikien läpi toimimaan vakaimena. Löysää mutteria **MYÖTÄPÄIVÄÄN** mukana toimitetulla monitoimiavaimella (kuva H).
6. Poista mutteri, ulkovaippa, terä ja sisälaiippa moottorin karasta (kuva I). Tarkasta ja vaihda ne, jos ne ovat kuluneet.

Kuvan I osien kuvaus alla:

I-1	Moottorin kara	I-5	Terä
I-2	Sisälaiippa	I-6	Ulkolaippa
I-3	Sisälaiipan kolo	I-7	Mutteri
I-4	Sisälaiipan uloke	I-8	Saksisokka

### Terän asentaminen

1. Aseta sisälaiippa moottorin karaan uloke ulospäin (kuva I).
2. Asenna uusi terä sisälaiipan päälle. Varmista, että terä asennetaan kunnolla paikoilleen (kuva J).
3. Asenna ulkolaippa ja mutteri karaan, esikiristä mutteri käsin **VASTAPÄIVÄÄN**.

- Noudata kohdan "Terän poistaminen" vaiheita 4 ja 5 terän vakauttamiseksi ja mutterin kiristämiseksi kunnolla **VASTAPÄIVÄÄN**.
- Työnnä uusi mukana toimitettu saksisokka moottorin karan reikään. Taivuta sokerin kaksi uloketta vastakkaisiin suuntiin kärkipihdeillä (ei mukana) (kuva G).

### OHJAUSPYÖRÄN VAIHTAMINEN

- Pysäytä moottori ja poista akku.
- Aseta reunaleikkuri selälleen siten, että ohjauspyörä on ylöspäin.
- Löysää syvyyden säätönuppia nuppiin merkityn avauksen ilmaisevan nuolen suuntaan ja poista se.
- Poista jousialuslevy, tasainen aluslevy 1, ohjauspyörä, holkki ja tasainen aluslevy 2 ruuvien varresta (kuva K). Tarkasta ja vaihda ne, jos ne ovat kuluneet.
- Asenna ruuvien varsi ensin syvyyden säätötangon läpi, asenna sitten tasainen aluslevy 2, holkki ja uusi pyörä, asenna sitten tasainen aluslevy 1, jousialuslevy ja syvyyden säätönuppi ruuvien varseen kuvassa K näkyvässä järjestyksessä.

Kuvan K osien kuvaus alla:

K-1	Syvyyden säätönuppi	K-5	Holkki
K-2	Jousialuslevy	K-6	Tasainen aluslevy 2
K-3	Tasainen aluslevy 1	K-7	Ruuvien varsi
K-4	Ohjauspyörä	K-8	Syvyyttä säätävä ohjaustanko

**HUOMAA:** Ohjauspyörä tulee asentaa tasaiset puolet sisäänpäin (kuva L).

Kuvan L osien kuvaus alla:

L-1	Ruuvit	L-3	Roskaläppä
L-2	Tasainen puola	L-4	Kiinnityslevy

- Lukitse syvyyden säätönuppi.

### ROSKALÄPÄN VAIHTAMINEN (kuva L)

- Pysäytä moottori ja poista akku.
- Löysää kaksi ruuvia mukana toimitetulla kuusiokoloavaimella.
- Poista ruuvit, kiinnityslevy ja kulunut roskaläppä.
- Vaihda tilalle uusi roskaläppä ja lukitse se kiinnityslevyllä ja kahdella ruuvilla.

### KULUMISTA ESTÄVÄN SUOJUKSEN/OHJAUSLEVYN TARKASTAMINEN JA VAIHTAMINEN (kuva M)

Tarkasta kulumista estävä suojus ja ohjauslevy vaurioiden varalta ennen sähkötyökalan käynnistämistä. Kulumista estävä suojus täytyy vaihtaa heti, kun vaihdekotelo alkaa näkyä.

**HUOMAA:** Vaihdekotelo voi vaurioitua pahasti, jos et vaihda kulumista estävää suojusta heti, kun vaihdekotelo alkaa näkyä.

- Pysäytä moottori ja poista akku.
- Käytä suojakäsineitä. Pyöritä terää niin paljon kuin tarpeen, jotta kaksi ruuvia paljastuu.
- Löysää kaksi ruuvia mukana toimitetulla kuusiokoloavaimella ja poista ruuvit.

**HUOMAA:** Jos sinun tarvitsee vaihtaa ainoastaan ohjauslevy, löysää ja poista vain ruuvi 1.

- Vaihda vääntynyt tai kulunut kulumisen estävä suojus/ohjauslevy.
- Asenna uusi kulumisen estävä suojus ja ohjauslevy vaihdekotelon päälle ja lukitse ne kahdella ruuvilla.

Kuvan M osien kuvaus alla:

M-1	Ruuvi 1	M-4	Kulumisen estävä suojus
M-2	Ohjauslevy	M-5	Asennusreiät
M-3	Ruuvi 2	M-6	Vaihdekotelo

### OHJAUSLEVYN POISTAMINEN

Voit poistaa ohjauslevyn, jos olet kokenut tämän tyyppisen reunaleikkurin käyttäjä tai ohjauslevy estää reunan leikkaamista.

- Löysää ja poista ruuvi 1.
- Poista ohjauslevy.
- Aseta ruuvi 1 takaisin ja kiristä se.

### VAIHDEPYÖRÄN VOITELU

Vaihdekotelossa oleva vaihdepyörä tulee voidella säännöllisesti vaihderasvalla. Tarkasta vaihdekotelon rasvan taso noin 50 käyttötunnin välein poistamalla kotelon sivussa oleva tiivistysruuvi.

Jos vaihteen sivuilla ei näy rasvaa, lisää vaihderasvaa enintään 3/4 kapasiteetista seuraavien ohjeiden mukaisesti.

Älä täytä vaihdepyörää kokonaan rasvalla.

- Aseta reunaleikkuri pystyyn siten, että tiivistysruuvi on ylöspäin (kuva N).
- Löysää tiivistysruuvia mukana toimitetulla monitoimiavaimella ja poista ruuvi. Käytä rasvaruiskua (ei mukana) ja ruiskuta jonkin verran rasvaa ruuvien reikään; älä ylitä 3/4 kapasiteetista.
- Kiristä tiivistysruuvi ruiskutuksen jälkeen.

## LAITTEEN VARASTOINTI

- Irrota akku reunaleikkurista.
- Puhdista työkalu perusteellisesti ennen varastointia.
- Jos reunaleikkurilisäosa poistetaan akkupäästä ja säilytetään erikseen, kiinnitä päätytulppa lisäosan varteen, jotta lika ei pääse liitoskappaleeseen.
- Varastoi laite kuivaan, hyvin ilmastoituun tilaan, joka on lukittu tai muuten lasten ulottumattomissa. Älä varastoi laitetta lannoitteiden, bensiinin tai muiden kemikaalien päälle tai viereen.

## Ympäristönsuojelu



Älä hävitä sähkölaitteita, akun latauslaitteita ja akkuja/ladattavia akkuja kotitalousjätteen mukana!

Euroopan parlamentin ja neuvoston direktiivin 2012/19/EU mukaan sähkö- ja elektroniikkalaitteet, jotka eivät ole enää käyttökelpoisia, ja Euroopan parlamentin ja neuvoston direktiivin 2006/66/EY mukaan vialliset tai käytetyt akkuyksiköt/ akut täytyy kerätä erikseen.

Jos sähkölaitteet hävitetään viemällä kaatopaikoille tai roskalajiin, vaarallisia aineita voi vuotaa pohjaveteen ja päästä ravintoketjuun ja vahingoittaa täten ihmisten terveyttä ja hyvinvointia.

FI

## EY-VAATIMUSTENMUKAISUUS- VAKUUTUS



Me, EGO EUROPE GMBH

Wahlwiesenstrasse 1, D-71711 Steinheim an der Murr  
Deutschland

Vakuutamme, että tuote **56 V litiumioniakulla toimiva reunaleikkurilisäosa EA0800**, joka on varustettu akkupäällä PH1400E

täyttää olennaiset terveys- ja turvallisuusvaatimukset seuraavien direktiivien mukaisesti:

2006/42/EY, 2014/30/EY, 2011/65/EU, 2000/14/EY

Standardit ja tekniset erittelyt, joihin viitataan:

EN 60745-1, ISO 11789-1, EN 55014-1, EN 55014-2

Mitattu äänen tehotaso: 92,4 dB(A),

Taattu äänen tehotaso: 95 dB(A)

Peter Melrose  
EGO Europe GmbH  
Yönnetici Müdürü

Dong Jianxun  
Chervon Kalite  
Müdürü

\* (CHERVON yetkilii temsilcisi ve teknik belgeleme sorumlusu)

01/12/2016



## VIANETSINTÄ

ONGELMA	SYY	RATKAISU
Moottori ei käynnisty.	<ul style="list-style-type: none"> <li>■ Akkua ei ole liitetty akkupäähän.</li> <li>■ Akkupään ja akun välillä ei ole sähköliitäntää.</li> <li>■ Akkuyksikkö on tyhjä</li> <li>■ Nappi ja liipaisinta ei paineta samanaikaisesti.</li> </ul>	<ul style="list-style-type: none"> <li>■ Kiinnitä akku akkupäähän.</li> <li>■ Poista akku, tarkasta liitäntäkohdat ja asenna akku takaisin, kunnes se naksahtaa paikalleen.</li> <li>■ Lataa akku käyttöoppaan luettelossa olevalla EGO-laturilla.</li> <li>■ Paina lukituksen vapautuspainike alas ja pidä sitä pohjassa. Paina liipaisin pohjaan käynnistääksesi akkupään.</li> </ul>
Akkupää sammuu käytön aikana	<ul style="list-style-type: none"> <li>■ Moottori on ylikuormittunut.</li> <li>■ Akku tai akkupää on ylikuumentunut.</li> <li>■ Akku on irronnut työkalusta.</li> <li>■ Akku on tyhjä.</li> </ul>	<ul style="list-style-type: none"> <li>■ Moottori tunnistaa, kun kuorma poistetaan. Vähennä akkupään kuormitusta jatkuvassa käytössä.</li> <li>■ Anna akun tai akkupään jäähtyä, kunnes lämpötila on alle 152°F(67 °C).</li> <li>■ Aseta akku uudelleen paikalleen.</li> <li>■ Lataa akku käyttöoppaan luettelossa olevalla EGO-laturilla.</li> </ul>
Epätasainen reuna	<ul style="list-style-type: none"> <li>■ Ruoho tai maa on liian kostea.</li> <li>■ Terän suojus on tukossa.</li> </ul>	<ul style="list-style-type: none"> <li>■ Vältä reunaleikurin käyttöä, kun maa tai ruoho on kostea.</li> <li>■ Sammuta moottori, poista akku ja poista tukokset terän suojuksesta.</li> </ul>

FI

## TAKUU

### EGO-TAKUUKÄYTÄNTÖ

Katso verkkosivuilta osoitteesta [egopowerplus.com](http://egopowerplus.com) EGO-takuukäytännön ehdot ja edellytykset kokonaisuudessaan.

## LES ALLE INSTRUKSJONER!



### LES BRUKERMANUALEN

**⚠ Restrisiko!** Personer med elektroniske enheter, for eksempel pacemakere, må rådføre seg med lege før de bruker dette produktet. Drift av elektrisk utstyr i umiddelbar nærhet av en pacemaker kan føre til at pacemakeren forstyrres eller svikter.

**⚠ ADVARSEL:** For sikre både sikkerheten og påliteligheten, skal alle reparasjoner utføres av en kvalifisert servicetekniker.

## SIKKERHETSSYMBOLER

Formålet med sikkerhetssymbolene er å trekke oppmerksomheten din mot mulige faresituasjoner. Sikkerhetssymbolene og forklaringene krever din fulle oppmerksomhet og forståelse. Symbolvarslene eliminerer ikke farer på egen hånd. Instruksjonene og advarslene som finnes i dem er ikke erstatninger for passende ulykkesforebyggende tiltak.

**⚠ ADVARSEL:** Sørg for å lese og forstå alle sikkerhetsanvisningene i denne bruksanvisningen, inkludert alle sikkerhetsvarselssymboler så som «**FARE**», «**ADVARSEL**» og «**FORSIKTIG**» før du bruker dette verktøyet. Hvis du ikke følger alle instruksjonene nedenfor, kan det føre til elektriske støt, brann og/eller alvorlig personskade.

### SYMBOLFORKLARINGER

**⚠ SIKKERHETSSYMBOL:** Indikerer **FARE**, **ADVARSEL** eller **FORSIKTIG**. Kan brukes sammen med andre symboler eller piktogrammer.

**⚠ ADVARSEL:** Bruk av hvilke som helst elektroverktøy kan føre til at fremmedlegemer blir kastet mot øynene, og dette kan føre til alvorlig øyeskader. Før du begynner å bruke elektroverktøyet, skal du alltid bruke vernebriller eller vernebriller med sidebeskyttelse, og en full ansiktsskjerm der det trengs. Vi anbefaler en Wide Vision Safety Mask til bruk over briller, eller standard vernebriller med sidebeskyttelse.

## SIKKERHETSINSTRUKSJONER

Denne siden viser og beskriver sikkerhetssymboler som finnes på produktet. Les, forstå og følg alle instruksjoner på maskinen før begynner montering og bruk.

	Sikkerhetsvarsel	Indikerer fare for mulig personskade.
	Les brukermanualen.	For å redusere risikoen for skader, må brukeren lese og forstå bruksanvisningen før produktet brukes.
	Bruk hørselsvern og vernebriller	Bruk alltid vernebriller eller vernebriller med sidebeskyttelse, og full ansiktsskjerm når du bruker dette produktet.
	Hold tilskuere på trygg avstand	Pass på at mennesker og kjæledyr befinner seg på trygg avstand når kantskjæreren er i bruk.
	Retning på rotasjonen av knivbladet	Angir retning på rotasjonen av knivbladet.
	Ukontrollerte objekter	Kontroller nøye området der maskinen skal brukes, og fjern alle steiner, pinner, tråder, bein og andre fremmedlegemer.
	Roterende knivblad	Unngå å plassere hender eller føtter under eller i nærheten av roterende deler.
	Må ikke utsettes for regn	Skal ikke brukes i regn eller legges igjen utendørs mens det regner.
	CE	Dette produktet er utformet i tråd med gjeldende EC-direktiver.
	WEEE	Elektrisk avfall må ikke kastes sammen med vanlig husholdningsavfall. Må avleveres på en godkjent gjenvinningsstasjon.
	Støy	Garantert lydeffektnivå. Støy i omgivelsene er i henhold til EUs direktiv.
V	Volt	Spenning
mm	Millimeter	Lengde eller størrelse
cm	Centimeter	Lengde eller størrelse
kg	Kilogram	Vekt
	Likestrøm	Strømtype

## VIKTIGE SIKKERHETSINSTRUKSJONER

**⚠ ADVARSEL:** Når du bruker trimmere, må du alltid følge grunnleggende sikkerhetsregler for å redusere risikoen for brann, elektrisk støt og personskaade, inkludert følgende:

### LES NØYE FØR BRUK

### BEHOLD FOR SENERE BRUK

**⚠ FARE:** Ikke stol på verktøyets isolasjon mot elektrisk sjokk. For å redusere risikoen for elektriske støt, skal maskinen aldri brukes i nærheten av ledninger eller kabler (strøm, osv.) som kan være strømsatte.

**⚠ FORSIKTIG:** Bruk egnet personlig hørselsvern under bruk. Under visse forhold til og brukslengder, kan støy fra dette produktet bidra til hørselstap.

### Trening

- Les instruksene nøye. Vær fortrolig med betjeningsinstrumentene og riktig bruk av maskinen.
- La aldri folk som ikke er kjent med disse instruksjonene, eller barn, bruke maskinen. Lokale regelverk kan ha krav til aldersgrense for operatøren.
- Unngå bruk av kantskjæreren mens det er personer og særlig barn eller kjæledyr i nærheten.
- Husk at operatøren er ansvarlig for skade som skjer andre folk eller gjenstander.

### Forberedelse

- Under skjæringen skal du alltid bruke vernebriller og hørselsvern, solid fotføy og lange bukser.
- Kontroller nøye området der maskinen skal brukes, og fjern alle steiner, pinner, tråder, bein og andre fremmedlegemer.
- Før bruk må du alltid sjekke at knivblad, skruer og skjæretilbehør ikke er slitt eller ødelagt. Bytt ut alle slitte og ødelagte knivblad og skruer samtidig for å få en jevn funksjon.

### Drift

- Bruk skjæreren bare i dagslys eller med god kunstig belysning.
- Sørg alltid for å ha godt fotfeste i hellende terreng.
- Bare gå, ikke løp.
- Vær ekstremt forsiktig når du rygger eller trekker produktet mot deg.
- Pass på at knivbladet har stoppet før du krysser områder som ikke er gress, og når du frakter kantskjæreren til ulike steder.

- Kantskjæreren må ikke brukes dersom bladvern er defekte, ikke finnes eller ikke er montert riktig.
- De automatiske motorinnstillingene må ikke manipuleres, og motoren må ikke kjøres på for høy hastighet.
- Slå motorbryteren forsiktig på i henhold til instruksjoner, og hold føttene på god avstand fra knivbladet.
- Unngå å starte motoren dersom en tilskuer befinner seg foran knivbladet.
- Unngå å plassere hender eller føtter under eller i nærheten av roterende deler.
- Slå alltid av motoren og koble fra batteriet:
  - 1) Før du fjerner en blokkering
  - 2) Før du kontrollerer, rengjør eller arbeider med knivbladet
  - 3) Når du har støtt på et fremmedlegeme. Undersøk om det er skader på knivbladet, og utfør reparasjoner før du starter og bruker kantskjæreren igjen.
  - 4) Hvis kantskjæreren begynner å vibrere på en unormal måte (sjekkes umiddelbart).
- Stopp motoren hver gang du forlater kantskjæreren.
- Ikke lad batteripakken i regn eller på våte steder.
- Skal bare brukes med batteripakkene og laderne som er oppført nedenfor:

BATTERI	LADER
BA1120E, BA2240E, BA2800, BA3360, BA4200	CH2100E CH5500E

- Batteripakken må fjernes fra apparatet før det kasseres.
- Batteriet skal avhendes på en sikker måte.
- Ikke kast batteriet i ild. Cellene kan eksplodere. Sjekk de lokale forskriftene for avhending av batterier.
- Ikke åpne eller skad batteriet. Elektrolytter som avgis er etsende, og kan forårsake skade på øyne og hud. Kan være giftig ved svelging.
- Vær forsiktig når du håndterer batterier, slik at du ikke kortslutter batteriet med ledende materialer så som ringer, armbånd og nøkler. Batteriet eller lederen kan bli overopphetet og forårsake brannskader.
- Batteriverktøy trenger ikke å være koblet til et strømuttak; derfor er de alltid klare til bruk. Vær oppmerksom på mulige farer, selv når verktøyet ikke er i drift. Vær forsiktig når du utfører vedlikehold eller service.
- Ikke vask med hageslange; unngå å få vann i motoren og i elektriske kontakter.

NO

### Vedlikehold og oppbevaring

- Sørg for at alle mutrer, bolter og skruer er godt festet så produktet fungerer sikkert.
- Skift ut slitte eller ødelagte deler.
- Ikke prøv å reparere verktøyet med mindre du har kompetanse til det.
- Bruk bare reservedeler og tilbehør som anbefales av produsenten.
- Koble verktøyet fra batteriet før du utfører vedlikehold og rengjøring.
- Maskinen må etterses og vedlikeholdes regelmessig. Maskinen må repareres av et autorisert verksted.
- Når den ikke er i bruk, skal maskinen oppbevares utilgjengelig for barn.
- Hvis situasjoner oppstår som ikke er dekket i denne håndboken, må du utvise forsiktighet og god dømmekraft. Kontakt EGOs servicesenter for å få hjelp.
- Ta vare på disse instruksjonene. Slå gjerne opp i dem, og bruk dem som veiledning for andre som kan komme til å bruke verktøyet. Hvis du låner ut verktøyet til andre, må de også få tilgang til denne brukerveiledningen slik at feilbruk av produktet og eventuelle påfølgende skader kan unngås.

NO

### TA VARE PÅ DISSE INSTRUKSJONENE!

**MERK: SE HÅNDBOKEN TIL VERKTØYHODET FOR ANDRE OG MER SPESIFIKKE REGLER OM SIKKERHET.**

### SPESIFIKASJONER

Bladlengde	20 cm
Skjæredybde	Opptil 75 mm
Vekt	2,26 kg
Målt lydeffektnivå $L_{WA}$	92,4 dB(A) K=2,07 dB(A)
Lydtryknivå ved brukerens øre $L_{PA}$	79,8 dB(A) K=3 dB(A)
Garantert lydeffektnivå $L_{WA}$ (målt i henhold til 2000/14/EC)	95 dB(A)
Vibrasjon $a_h$	Fremre hjelpehåndtak 1,2 m/s <sup>2</sup> K=1,5 m/s <sup>2</sup>
	Bakre håndtak 2,2 m/s <sup>2</sup> K=1,5 m/s <sup>2</sup>

- Parametrene over er testet og målt sammen med verktøyet PH1400E;

- Den deklarerte totale vibrasjonsverdien er målt i overensstemmelse med en standard testmetode, og kan brukes til å sammenligne ett verktøy med et annet;
- Den deklarerte totale vibrasjonsverdien kan også brukes i en foreløpig vurdering av eksponering.

**MERK:** Vibrasjoner under faktisk bruk av elektroverktøyet kan variere fra den opplyste verdien der verktøyet brukes; For å beskytte brukeren, skal det brukes hansker og hørselsvern under de faktiske bruksforholdene.

### PAKKELISTE

NAVN PÅ DEL	MENGDE
Kantskjærer (tilbehør)	1
Unbraconøkkel	1
Flerbruksnøkkel	1
Låsekile	2
Bruksanvisning	1

### Anbefalt knivblad

NAVN PÅ DEL	MODELLNUMMER
Kantblad	AEB0800

### BESKRIVELSE

#### BLI KJENT MED KANTSKJÆREREN (Fig. A)

1. Endekapsel
2. Skaft til kantskjærer
3. Bladvern
4. Knivblad
5. Dybdereguleringsknott
6. Føringshjul
7. Unbraconøkkel
8. Flerbruksnøkkel
9. Dybdereguleringsknott
10. Smussklaff
11. Låsekile
12. Skruer til å låse fast føringsplaten
13. Føringsplate

### -ENHET

**⚠ ADVARSEL:** Hvis noen av delene er skadet eller mangler, må du ikke bruke dette produktet før delene er skiftet ut. Bruk av dette produktet med skadede eller mangler deler kan føre til alvorlig personskade.

**⚠ ADVARSEL:** Ikke forsøk å modifisere dette produktet eller lage tilbehør som ikke er anbefalt for bruk med denne gresstrimmeren. Enhver slik endring eller modifisering er misbruk, og kan føre til farlige situasjoner og mulige alvorlige personskader.

**⚠ ADVARSEL:** Bladvernet må ikke justeres. Fabrikkinstillingene for bladvernet er slik at pilen på bladvernet og den åpne siden peker bort fra operatøren. Dette gjør at avskjær og annet rusk blir ledet bort fra elektroverktøyet og operatøren.

### MONTERE KANTSKJÆREREN PÅ VERKTØYHODET

Denne kantskjæreren er beregnet til å brukes med EGO 56 V verktøyhode med litium-ionbatteri med benevnelsen PH1400E.

Se avsnittet “MONTERE TILBEHØR PÅ VERKTØYHODET” i håndboken for PH1400E.

## DRIFT

**⚠ ADVARSEL:** Ikke la fortrolighet med dette produktet gjøre deg uforsiktig. Husk at et uforsiktig tiendedel av et sekund er nok til å forårsake alvorlige skader.

**⚠ ADVARSEL:** Bruk alltid vernebriller med sidebeskyttelse. Sammen med hørselsvern. Unnlattelse av å gjøre dette kan resultere i at gjenstander som blir kastet kommer inn i øynene, og andre mulige og alvorlige skader.

### BRUKSOMRÅDER

Du kan bruke dette produktet til de formålene som er oppført nedenfor:

- Kantklipping og opprydning rundt gangveier, blomsterbed og liknende områder.

**MERK:** Verktøyet skal bare brukes til sitt foreskrevne formål. All annen bruk er feil.

### Før hver bruk skal det sjekkes etter skadede/slitte deler

Sjekk støthodet, skjermen og det fremre hjelpehåndtaket, og bytt de delene som har sprekker, er vridd, bøyd eller skadet på noen måte.

**⚠ ADVARSEL:** For å unngå alvorlig personskade må batteripakken tas ut før service, rengjøring, bytte av tilbehør eller når du fjerner fremmedlegemer fra verktøyet.

### BRUKE KANTSKJÆREREN MED VERKTØYHODET

**⚠ ADVARSEL:** Kle deg riktig for å redusere risikoen for skader når du bruker dette verktøyet. Ikke bruk løstsittende klær eller smykker. Bruk vernebriller og øre-/hørselsvern. Bruk solide og lange bukser, støvler og hansker. Ikke bruk korte bukser eller sandaler, og ikke gå barbert. Bruk en ansiktsmaske eller støvmaske i støvete omgivelser.

**⚠ ADVARSEL:** Fjern alle hindringer og gjenstander fra arbeidsområdet.

For sikker og bedre drift bør remmen legges over skulderen. Juster skulderremmen så du får en behagelig arbeidsstilling.

Hold alltid kantskjæreren med høyre hånd på det bakre håndtaket og venstre hånd på det fremre hjelpehåndtaket. Hold et fast grep med begge hender når du bruker verktøyet. Kantskjæreren skal holdes i en behagelig stilling med det bakre håndtaket omtrent i hofte høyde (Fig. B).

**⚠ ADVARSEL:** Skulderremmen er også en kjapp utløsermekanisme i farlige situasjoner. Når en nødsituasjon oppstår, ta apparatet av skulderen umiddelbart, uansett hvordan remmen er satt inn.

### Kantskjæreren skal rengjøres hver gang den har vært brukt.

Se avsnittet VEDLIKEHOLD for rengjøringsinstruksjoner.

### JUSTERE SKJÆREDYBDEN

1. Stopp motoren og ta ut batteripakken.
2. Løsne dybdereguleringsknotten ved å skru i retning pilen som markerer opplåst posisjon (Fig. C).
3. Flytt føringshjulet sammen med styreskinnen for dybderegulering; oppover for å øke skjæredybden og nedover for å minske den (Fig. D).
4. Reguler føringshjulet slik at knivbladet berører bakken eller bare går 5 mm ned i overflaten (Fig. E), før du fester den skikkelig.
5. Stå i vanlig arbeidsstilling og sjekk skjæredybden igjen og korriger hvis nødvendig.

### STARTE/STOPPE VERKTØYET

Se avsnittet “STARTE/STOPPE VERKTØYHODET” i håndboken for PH1400E.

### TIPS FOR BETJENING

- Hold og styr verktøyet slik at knivbladet står vertikalt. Bruk sikttinjen til å justere knivbladet så det er på linje med kanten av bedet (Fig. F).

NO

- Må bare betjenes i normal gåhastighet. Hvis knivbladet synker ned i underlaget er du for rask, så ro ned farten!
- Gå alltid forover når du kutter og flytter kantskjæreren foran deg. Du skal ikke dra kantskjæreren mot deg.
- Unngå å tvinge knivbladet ned i bakken. Lett kontakt mellom knivblad og kanten på gangveien eller fortauet er helt i orden, og vil ikke skade kantskjæreren.
- Du får best resultat når gresset er tørt. Unngå kantskjæring når jorda eller gresset er vått, hvis ikke kan bladvernet bli tilstoppet og gjøre kanten ujevn. Hvis bladvernet tilstoppes, stanser du motoren, tar ut batteripakken og fjerner rusk og rask fra bladvernet.

## VEDLIKEHOLD

**⚠ ADVARSEL:** Før du etterser, rengjør eller vedlikeholder verktøyet, må du stoppe motoren, vente på at alle deler har stanset, og så ta ut batteripakken. Hvis du ikke følger disse instruksjonene, kan det resultere i alvorlig personskade eller skade på eiendeler.

**⚠ ADVARSEL:** Ved service skal det bare brukes originale reservedeler. Inspiser og vedlikehold maskinen regelmessig. For sikre både sikkerheten og påliteligheten, skal alle reparasjoner utføres av en kvalifisert servicetekniker.

### GENERELT VEDLIKEHOLD

Unngå å bruke løsemidler når plastdeler skal rengjøres. De fleste plasttyper kan ta skade av ulike typer løsemidler som er i salg, og kan dermed bli ødelagt. Bruk rene kluter for å fjerne skitt, støv, olje, fett, etc.

### RENGJØRING AV ENHETEN

- Etter hver gangs bruk fjerner du rusk og rask, jordklumper eller gress fra knivbladet og bladvernet med en myk børste. Tørk av kantskjærerenes overflater med en ren klut, fuktet med mildt såpevann.
- Bruk en liten pensel eller lufttutslipp fra en liten støvsugerbørste til å holde luftventilene fri for hindringer på det bakre huset.

**MERK:** Ikke bruk sterke vaskemidler på plasthuset eller håndtaket. De kan bli skadet av visse aromatiske oljer, slik som furu og sitron.

### BYTTING AV KNIVBLAD

**⚠ ADVARSEL:** Unngå å rette ut eller sveise et knivblad som er bøyd eller sprukket – da kan det brenne. Må byttes. Vi anbefaler at det bare erstattes med et EGO-knivblad. Se avsnittet **“Anbefalt knivblad”**.

**MERK:** Bytt knivbladet dersom lengden ikke lenger er tilstrekkelig til å opprettholde den nødvendige avstanden til bakken og få nødvendig skjæredybde.

**⚠ ADVARSEL:** Beskytt alltid hendene med kraftige hansker eller ved å pakke inn knivbladet i filler eller annet materiale når du utfører vedlikehold på knivbladet.

### Fjerne knivbladet

1. Stopp motoren og ta ut batteripakken.
2. Legg kantklipperen på ryggen slik at knivbladet vender opp.
3. Bruk vernehansker. Bruk en spiss tang (følger ikke med) for å fjerne låsekilen fra motorakselen (Fig. G).
4. Roter knivbladet så spalten i flensen er på linje med hullet i girkassen (Fig. G).

Se Fig. G under for beskrivelse av delene:

G-1	Låsekile
G-2	Indre flens
G-3	Girkasse

5. Sett unbraconøkkelen som følger med, inn i tilhørende hull for å stabilisere. Bruk den medfølgende flerbruksnøkkelen til å løsne mutteren i retning **MED KLOKKEN** (Fig. H).
6. Fjern mutter, ytre flens, knivblad og indre flens fra motorakselen (Fig. I). Etterse dem og bytt deler hvis de er slitt.

Se Fig. I under for beskrivelse av delene:

I-1	Motoraksel	I-5	Blad
I-2	Indre flens	I-6	Ytre flens
I-3	Spalte i indre flens	I-7	Mutter
I-4	Utbuling på indre flens	I-8	Låsekile

### Montere knivbladet

1. Plasser indre flens på motorakselen med utbulingen vendt utover (Fig. I).
2. Monter det nye knivbladet på indre flens, og pass på at det blir festet ordentlig (Fig. J).
3. Monter ytre flens og mutter på akselen, og stram mutteren til midlertidig for hånd i retning **MOT KLOKKEN**.
4. Følg trinn 4 og 5 under “Fjerne knivbladet” for å stabilisere bladet og stramme mutteren ordentlig til i retning **MOT KLOKKEN**.
5. Sett inn en ny låsekile i hullet på motorakselen. Bøy de to beina i kilen i hver sin retning ved hjelp av en spiss tang (følger ikke med) (Fig. G).

## BYTTE FØRINGSHJUL

1. Stopp motoren og ta ut batteripakken.
2. Legg kantklipperen på ryggen slik at føringshjulet vender opp.
3. Løsne dybdereguleringsknotten i retning pilen som markerer opplåst posisjon, og ta den av.
4. Ta av fjærskive, underlagsskive 1, føringshjul, hylse og underlagsskive 2 fra skruen (Fig. K). Etterse dem og bytt deler hvis de er slitt.
5. Sett først skruen i styreskinne for dybderegulering, og monter så underlagsskive 2, hylse og nytt hjul før du monterer underlagsskive 1, fjærskive og dybdereguleringsknott på skruen i den rekkefølgen som er vist i Fig. K.

Se Fig. K under for beskrivelse av delene:

K-1	Dybdereguleringsknott	K-5	Hylse
K-2	Fjærskive	K-6	Underlagsskive 2
K-3	Underlagsskive 1	K-7	Skruen
K-4	Føringshjul	K-8	Styreskinne for dybderegulering

**MERK:** Styrehjulet skal monteres med de flate rillene vendt innover (Fig. L).

Se Fig. L under for beskrivelse av delene:

L-1	Skruer	L-3	Smussklaff
L-2	Flat rille	L-4	Festebrett

6. Lås dybdereguleringsknotten.

## BYTTE SMUSSKLaffen (Fig. L)

1. Stopp motoren og ta ut batteripakken.
2. Bruk den medfølgende unbraconøkkelen til å løsne de to skruene.
3. Fjern skruene, festebrettet og den slitte smussklaffen.
4. Erstattes med en ny smussklaff som låses med festebrettet og de to skruene.

## ETTERSE OG BYTTE UT BESKYTTELSE/FØRINGSPLATE (Fig. M)

Sjekk om det skulle være skader på beskyttelsen eller føringsplaten før du starter elektroverktøyet. Beskyttelsen må erstattes så snart girkassen blir synlig.

**MERK:** Girkassen kan bli svært ødelagt hvis du ikke bytter beskyttelsen så snart girkassen blir synlig.

1. Stopp motoren og ta ut batteripakken.
2. Bruk vernehansker. Roter knivbladet etter behov for å eksponere de to skruene.

3. Bruk den medfølgende unbraconøkkelen til å løsne og ta ut de to skruene.

**MERK:** Hvis du bare trenger å bytte føringsplaten, kan du løsne og fjerne bare skruen 1.

4. Erstatt den deformerte eller slitte slitasjebeskyttelsen/føringsplaten.
5. Sett den nye slitasjebeskyttelsen og føringsplaten på girkassen og lås dem fast med de to skruene.

Se Fig. M under for beskrivelse av delene:

M-1	Skruen 1	M-4	Slitasjebeskyttelse
M-2	Føringsplate	M-5	Monteringshull
M-3	Skruen 2	M-6	Girkasse

## FJERNE FØRINGSPLATEN

Hvis du er godt kjent med denne typen kantskjærer eller synes føringsplaten er til hinder når du skal bruke verktøyet, kan du ta den av.

1. Løsne og ta ut skruen 1.
2. Fjern føringsplaten.
3. Sett skruen 1 på igjen og stram den.

## SMØRING AV GIRDRETVET

Girdrevet i girkassen må smøres med jevne mellomrom med girolje. Sjekk nivået på oljen i girkassen ca. hver 50. driftstunde ved å ta av forseglingskruen på siden av kassen.

Hvis du ikke ser noe olje langs sidene av giret, følger du trinnene under for å fylle girolje til 3/4 av kapasiteten.

Girdrevet må ikke fylles helt opp.

1. Plasser kantklipperen i stående stilling slik at forseglingskruen vender opp (Fig. N).
2. Bruk den medfølgende flerbruksnøkkelen til å løsne og fjerne forseglingskruen. Bruk en oljesprøyte (følger ikke med) til å sprøyte inn olje i skruetullet; ikke fyll opp mer enn 3/4.
3. Stram til forseglingskruen når du er ferdig.

## LAGRING AV ENHETEN

- Fjern batteripakken fra kantskjæreren.
- Rengjør verktøyet grundig før lagring.
- Hvis kantskjæreren tas av verktøyet og oppbevares separat, bør du sette endekapselen på tilbehøret for å unngå at det kommer skitt og rusk inn i koplingsstykket.
- Lagre enheten tørt og godt ventilert, låst inne eller høyt oppe, og utilgjengelig for barn. Ikke oppbevar enheten på eller nær gjødsel, bensin eller andre kjemikalier.

NO

## Beskytt miljøet



Elektrisk utstyr, batterilader og batterier/ oppladbare batterier skal ikke kastes i husholdningsavfall.

Ifølge EU-forskrift 2012/19/EU, skal elektrisk og elektronisk utstyr som ikke lenger er brukbart, og som i henhold til EU-forskrift 2006/66/EC har defekte eller brukte batteripakker/batterier, samles inn separat.

Hvis elektrisk apparater kastes på søppelfyllinger, kan farlige stoffer lekke ut i grunnvannet og komme inn i næringskjeden, og forårsake skader på helse og velvære.

NO

## EU-SAMSVARERKLÆRING



Vi, EGO EUROPE GMBH

Wahlwiesenstrasse 1, D-71711 Steinheim an der Murr Deutschland

Herved erklæres at produktet **EA0800, trådløs kantklipper med 56 V** litium-ionbatteri og utstyrt med motorenheten PH1400E

Er i samsvar med de grunnleggende helse- og sikkerhetskravene i følgende direktiver:

2006/42/EC, 2014/30/EU, 2011/65/EU, 2000/14/EC

Standarder og tekniske spesifikasjoner som det henvises til:

EN 60745-1, ISO 11789-1, EN 55014-1, EN 55014-2

Målt lydeffektnivå: 92,4 dB(A),

Garantert lydeffektnivå: 95 dB(A)

Peter Melrose  
Administrerende direktør  
for EGO Europe GmbH

Dong Jianxun  
Kvalitetsdirektør hos Chevron

\*\* (Autorisert representant for CHERVON og ansvarlig for teknisk dokumentasjon)

01/12/2016



## FEILSØKING

PROBLEM	ÅRSAK	LØSNING
Motoren starter ikke.	<ul style="list-style-type: none"> <li>■ Batteripakken er ikke satt inn i verktøyhodet.</li> <li>■ Ingen elektrisk kontakt mellom verktøyhodet og batteripakken.</li> <li>■ Batteripakken er tom.</li> <li>■ Knapp og utløseren ble ikke trykket inn samtidig.</li> </ul>	<ul style="list-style-type: none"> <li>■ Fest batteripakken til verktøyhodet.</li> <li>■ Fjern batteriet, sjekk kontakter og installer batteripakken igjen. Forsikre deg om at det låses på plass.</li> <li>■ Lad batteripakken med EGO-ladere som står oppført i denne håndboken.</li> <li>■ Trykk ned låseknappen og hold den nede i denne posisjonen. Trykk på utløseren for å slå på verktøyhodet.</li> </ul>
Verktøyhodet stopper å gå under bruk.	<ul style="list-style-type: none"> <li>■ Motoren er overbelastet.</li> <li>■ Batteripakken eller verktøyhodet er for opphetet.</li> <li>■ Batteripakken er frakoblet verktøyet.</li> <li>■ Batteripakken er utladet.</li> </ul>	<ul style="list-style-type: none"> <li>■ Motoren vil fungere igjen når lasten er fjernet. For kontinuerlig drift bør du minske belastningen på verktøyhodet.</li> <li>■ La batteripakken eller verktøyhodet kjøle seg ned til temperaturen kommer under 152°F (67 °C).</li> <li>■ Installer batteripakken på nytt.</li> <li>■ Lad batteripakken med EGO-ladere som står oppført i denne håndboken.</li> </ul>
Ujevn kant	<ul style="list-style-type: none"> <li>■ Gress- eller jordkanten er for våt.</li> <li>■ Bladvernet er tilstoppet.</li> </ul>	<ul style="list-style-type: none"> <li>■ Unngå kantskjæring når jorda eller gresset er vått.</li> <li>■ Stopp motoren, ta ut batteripakken og fjern rusk og rask fra bladvernet.</li> </ul>

NO

## GARANTI

### EGOs GARANTIREGLER

Besøk nettsiden [egopowerplus.com](http://egopowerplus.com) for å se fullstendige vilkår og betingelser for EGO-garantireglene.

## ПРОЧИТАЙТЕ ВСЕ ИНСТРУКЦИИ!



**ВНИМАТЕЛЬНО ПРОЧИТАЙТЕ РУКОВОДСТВО ПОЛЬЗОВАТЕЛЯ.**

**⚠ Остаточные риски!** Если вы используете электронные устройства, такие как кардиостимулятор, перед эксплуатацией данного устройства проконсультируйтесь с врачом. Использование электрооборудования в непосредственной близости от кардиостимулятора может привести к образованию помех и повреждению кардиостимулятора.

**⚠ ПРЕДУПРЕЖДЕНИЕ.** Чтобы обеспечить безопасность и надежность устройства, его ремонт и замену частей должен выполнять квалифицированный специалист.

## СИМВОЛЫ БЕЗОПАСНОСТИ

Символы безопасности предназначены для привлечения внимания к возможным рискам. Символы безопасности, а также объяснения к ним, требуют особого внимания и понимания. Предупреждения по технике безопасности сами по себе не устраняют опасность. Инструкции и предупреждения не заменяют соответствующие меры по предотвращению несчастных случаев.

**⚠ ПРЕДУПРЕЖДЕНИЕ.** Перед использованием устройства внимательно прочитайте все инструкции в данном руководстве пользователя и ознакомьтесь с предупреждающими символами безопасности, такими как «ОПАСНОСТЬ», «ПРЕДУПРЕЖДЕНИЕ» и «ВНИМАНИЕ». Несоблюдение всех приведенных ниже инструкций может привести к поражению электрическим током, возникновению пожара и/или получению серьезных травм.

## ЗНАЧЕНИЕ СИМВОЛОВ

**⚠ ПРЕДУПРЕЖДАЮЩИЙ СИМВОЛ УВЕДОМЛЕНИЯ, ПРЕДУПРЕЖДЕНИЯ И ПРЕДОСТЕРЕЖЕНИЯ.** Может использоваться с другими символами или изображениями.

**⚠ ПРЕДУПРЕЖДЕНИЕ.** В результате работы электроинструмента в глаза могут попасть посторонние предметы, что приведет к серьезному повреждению глаз. Перед началом использования электроинструмента всегда надевайте защитную маску или защитные очки с боковыми щитками и полнопрофильную защитную маску (при необходимости). Поверх очков или стандартных защитных очков рекомендуется надевать маску Wide Vision Safety.

## ИНСТРУКЦИИ ПО ТЕХНИКЕ БЕЗОПАСНОСТИ

Далее приведено изображение и описание символов безопасности, которые могут присутствовать на данном устройстве. Перед сборкой или использованием внимательно прочитайте все инструкции, приведенные на устройстве, и соблюдайте их.

	Предупреждение об опасности	Указывает на потенциальную опасность получения травмы.
	Внимательно прочитайте руководство пользователя.	Чтобы уменьшить риск получения травм, перед использованием устройства необходимо прочитать и понять руководство по эксплуатации.
	Используйте средства защиты органов слуха и зрения.	При работе с данным устройством всегда используйте защиту для глаз или защитные очки с боковыми щитками и полнопрофильную защитную маску.
	Следите за тем, чтобы посторонние лица находились на безопасном расстоянии.	Убедитесь, что другие люди и животные находятся на определенном расстоянии от работающего устройства.
	Направление вращения режущего элемента инструмента.	Указывает на направление вращения режущего элемента инструмента.
	Отбрасываемые предметы.	Тщательно осмотрите участок, где будет использоваться устройство, и уберите все камни, палки, провода, кости и другие посторонние предметы.
	Вращающийся режущий элемент.	Держите руки и ноги подальше от вращающихся деталей.

	Не оставляйте под дождем.	Во время дождя не используйте устройство и не оставляйте его вне помещения.
	CE	Соответствует основным требованиям стандартов безопасности Европейских директив.
	WEEE	Неисправные электрические устройства нельзя выбрасывать вместе с бытовым мусором. Сдавайте их в авторизованные пункты сбора и утилизации.
	Шум	Гарантированный уровень звуковой мощности. Уровень шума в окружающей среде в соответствии с директивой ЕС.
V	Вольты	Напряжение
mm	Миллиметр	Длина или размер
cm	Сантиметр	Длина или размер
kg	Килограмм	Масса
	Постоянный ток	Тип или характеристика тока.

### ВАЖНЫЕ ИНСТРУКЦИИ ПО ТЕХНИКЕ БЕЗОПАСНОСТИ

**⚠ ПРЕДУПРЕЖДЕНИЕ.** При использовании триммеров с леской необходимо соблюдать следующие основные меры предосторожности для уменьшения вероятности возникновения пожара, поражения электрическим током и получения травм.

### ВНИМАТЕЛЬНО ПРОЧИТАЙТЕ ПЕРЕД ИСПОЛЬЗОВАНИЕМ

#### СОХРАНИТЕ ДЛЯ ИСПОЛЬЗОВАНИЯ В БУДУЩЕМ

**⚠ ОПАСНО!** Не полагайтесь на изоляцию устройства от поражения электрическим током. Чтобы снизить риск поражения электрическим током, не используйте устройство вблизи каких-либо проводов или кабелей (питания и др.), которые могут быть под напряжением.

**⚠ ВНИМАНИЕ!** Во время использования устройства надевайте соответствующие индивидуальные средства защиты органов слуха. При определенных условиях и длительности использования шум от данного устройства может привести к потере слуха.

### ОБУЧЕНИЕ

- Внимательно прочитайте инструкции. Ознакомьтесь со всеми элементами управления и научитесь правильному использованию оборудования.
- Никогда не позволяйте пользоваться устройством детям или людям, не знакомым с этими инструкциями. Местные нормы могут ограничивать возраст оператора.
- Никогда не работайте с инструментом, если рядом находятся люди (особенно дети) или домашние животные.
- Помните, что оператор или владелец несут ответственность за несчастные случаи и ущерб, нанесенный другим людям или их имуществу.

### ПОДГОТОВКА

- Во время работы всегда надевайте средства защиты органов слуха и зрения, прочную обувь и длинные брюки.
- Тщательно осмотрите участок, где будет использоваться устройство, и уберите все камни, палки, провода, кости и другие посторонние предметы.
- Перед работой всегда осматривайте режущие элементы, болты и весь режущий узел на наличие признаков износа или повреждений. Заменяйте изношенные и поврежденные лезвия и болты сразу комплектом, чтобы не нарушать балансировку.

### Использование

- Работайте только при дневном свете или хорошем искусственном освещении.
- На склонах всегда следите за тем, чтобы находиться в устойчивом положении.
- Передвигайтесь шагом, не бегайте.
- Будьте предельно осторожны, двигаясь задним ходом или перемещая устройство по направлению к себе.
- Прежде чем пересечь с устройством какую-либо нетравянистую поверхность или переместить устройство с одного обрабатываемого участка на другой, убедитесь, что режущий элемент инструмента полностью остановился.

- Никогда не используйте инструмент, если его щитки повреждены, отсутствуют или неправильно установлены.
- Не изменяйте настройку регулятора оборотов двигателя и не превышайте допустимую скорость работы двигателя.
- Включайте двигатель в точном соответствии с инструкциями и ставьте ноги на безопасном расстоянии от режущих элементов.
- Не запускайте двигатель, если перед режущими элементами находятся посторонние лица.
- Держите руки и ноги подальше от вращающихся деталей.
- Всегда выключайте двигатель и извлекайте аккумулятор из устройства в следующих случаях:
  - 1) перед очисткой засорения;
  - 2) перед проверкой, очисткой или выполнением работ, связанных с режущими элементами;
  - 3) после столкновения с посторонним предметом. Перед повторным запуском и использованием инструмента осмотрите режущие элементы на наличие повреждений и при необходимости отремонтируйте;
  - 4) в случае чрезмерной вибрации инструмента (немедленно проверьте).
- Выключайте двигатель, если оставляете устройство без присмотра.
- Не заряжайте аккумулятор под дождем или во влажных условиях.
- Используйте только аккумуляторы и зарядные устройства, указанные ниже.

АККУМУЛЯТОР	ЗАРЯДНОЕ УСТРОЙСТВО
BA1120E, BA2240E, BA2800,	CH2100E
BA3360, BA4200	CH5500E

- Прежде чем выбрасывать устройство, необходимо извлечь аккумулятор.
- Аккумулятор необходимо утилизировать безопасным способом.
- Не бросайте аккумуляторы в огонь. Аккумуляторы могут взорваться. Ознакомьтесь с местными нормами и правилами, которые могут содержать специальные инструкции по утилизации.
- Не вскрывайте и не деформируйте аккумулятор. Вытекший электролит может стать причиной коррозии и привести к повреждению глаз или кожи. Он токсичен при проглатывании.

- Будьте осторожны при обращении с аккумуляторами, чтобы не замкнуть контакты предметами из проводящих материалов, такими как кольца, браслеты и ключи. Аккумулятор или контакт могут перегреться и вызвать ожоги.
- Работающие от аккумуляторов инструменты не требуют подключать к розетке электросети, поэтому они всегда готовы к использованию. Помните о возможности возникновения опасных ситуаций даже когда устройство не используется. Соблюдайте осторожность при выполнении технического обслуживания или ремонта.
- Не мойте устройство из шланга. Избегайте попадания воды в двигатель и электрические соединения.

## Обслуживание и хранение

- Следите за тем, чтобы все гайки, болты и винты были плотно затянуты — это обеспечит безопасную работу устройства.
- Заменяйте изношенные или поврежденные детали.
- Не пытайтесь отремонтировать устройство, если не обладаете достаточной квалификацией.
- Используйте только запасные части и принадлежности, рекомендованные производителем.
- Перед чисткой или обслуживанием извлеките аккумулятор из устройства.
- Регулярно проверяйте устройство и выполняйте его обслуживание. Ремонт устройства должен выполнять только квалифицированный специалист.
- Если инструмент не используется, храните его в недоступном для детей месте.
- При возникновении ситуаций, не описанных в данном руководстве, соблюдайте осторожность и руководствуйтесь здравым смыслом. Обратитесь в сервисный центр EGO за помощью.
- Сохраните данные инструкции. Регулярно просматривайте их и предоставляйте для ознакомления другим пользователям. Одалживая кому-либо устройство, передайте также данные инструкции для предотвращения неправильного использования и возможных травм.

## СОХРАНИТЕ ДАННЫЕ ИНСТРУКЦИИ!

**ПРИМЕЧАНИЕ. ДОПОЛНИТЕЛЬНЫЕ СПЕЦИАЛЬНЫЕ ПРАВИЛА ТЕХНИКИ БЕЗОПАСНОСТИ СМ. В РУКОВОДСТВЕ ПОЛЬЗОВАТЕЛЯ ПРИВОДНОГО БЛОКА.**

## ТЕХНИЧЕСКИЕ ХАРАКТЕРИСТИКИ

Длина режущего элемента	20 см	
Глубина обрезки кромки	До 75 мм	
Масса	2,26 кг	
Измеренный уровень звуковой мощности $L_{WA}$	92,4 дБ (А) K=2,07 дБ (А)	
Уровень звукового давления на уши оператора $L_{PA}$	79,8 дБ (А) K=3 дБ (А)	
Гарантированный уровень звуковой мощности $L_{WA}$ (измерен в соответствии с 2000/14/ЕС)	95 дБ (А)	
Вибрация $a_n$	Передняя вспомогательная рукоятка	1,2 м/с <sup>2</sup> K=1,5 м/с <sup>2</sup>
	Задняя рукоятка	2,2 м/с <sup>2</sup> K=1,5 м/с <sup>2</sup>

- Вышеуказанные параметры протестированы и измерены при использовании с приводным блоком RH1400E;
- Указанный общий показатель уровня вибрации был определен с помощью стандартного теста и может быть использован для сравнения разных инструментов.
- Указанный общий уровень вибрации может использоваться также для предварительной оценки уровня воздействия.

**ПРИМЕЧАНИЕ.** Реальное вибрационное воздействие электроинструмента может отличаться от указанного в зависимости от способа использования. В целях безопасности оператор должен надевать перчатки и средства защиты органов слуха во время использования устройства.

## УПАКОВОЧНЫЙ ЛИСТ

НАЗВАНИЕ ДЕТАЛИ	КОЛИЧЕСТВО
Инструмент для обрезки кромок	1
Шестигранный ключ	1
Многофункциональный гаечный ключ	1
Шплинт	2
Руководство по эксплуатации	1

## Рекомендуемый режущий элемент

НАЗВАНИЕ ДЕТАЛИ	НОМЕР МОДЕЛИ
Режущий элемент для обрезки кромок	АЕВ0800

## ОПИСАНИЕ

### ЧАСТИ ИНСТРУМЕНТА ДЛЯ ОБРЕЗКИ КРОМК (Рис. А)

1. Колпачок
2. Вал инструмента для обрезки кромок
3. Щиток режущего элемента
4. Режущий элемент
5. Ручка регулировки глубины
6. Направляющее колесо
7. Шестигранный ключ
8. Многофункциональный гаечный ключ
9. Направляющая штанга регулировки глубины
10. Заслонка от отбрасываемого мусора
11. Шплинт
12. Винт для фиксации направляющей пластины
13. Направляющая пластина

RU

## СБОРКА

**⚠ ПРЕДУПРЕЖДЕНИЕ.** Если какие-либо части повреждены или отсутствуют, не используйте устройство, пока они не будут заменены. Использование устройства в случае повреждения или отсутствия частей может привести к получению серьезной травмы.

**⚠ ПРЕДУПРЕЖДЕНИЕ.** Не пытайтесь изменить конструкцию триммера или создать не рекомендованные для него дополнительные приспособления. Подобное изменение считается ненадлежащим использованием и способствует возникновению опасной ситуации, которая приведет к получению серьезной травмы.

**⚠ ПРЕДУПРЕЖДЕНИЕ.** Не регулируйте щиток режущего элемента. Щиток режущего элемента при производстве был установлен таким образом, чтобы стрелка на нем и на открытой стороне была направлена от оператора. Это позволяет обеспечить отбрасывание обрезков и другого мусора в сторону от инструмента и оператора.

## УСТАНОВКА ИНСТРУМЕНТА ДЛЯ ОБРЕЗКИ КРОМОК НА ПРИВОДНОЙ БЛОК

Это инструмент для обрезки кромок предназначен для использования с приводным блоком EGO RH1400E с литий-ионным аккумулятором 56 В.

См. раздел «УСТАНОВКА ИНСТРУМЕНТОВ НА ПРИВОДНОЙ БЛОК» в руководстве пользователя приводного блока RH1400E.

## ИСПОЛЬЗОВАНИЕ

**⚠ ПРЕДУПРЕЖДЕНИЕ.** Не допускайте небрежности и беспечности при работе с устройством. Помните, что потери бдительности на долю секунды достаточно для получения серьезной травмы.

**⚠ ПРЕДУПРЕЖДЕНИЕ.** Всегда надевайте защитные очки с боковыми щитками, а также средства защиты органов слуха. В противном случае выбрасываемые предметы попадут в глаза, что может привести к получению серьезной травмы.

### ПРИМЕНЕНИЕ

Данное устройство можно использовать в следующих целях.

- Обрезка кромок рядом с пешеходными дорожками, бордюрами, клумбами и аналогичными местами.

**ПРИМЕЧАНИЕ.** Устройство должно использоваться только по назначению. Любое другое использование, кроме упомянутого, считается ненадлежащим.

**Перед каждым использованием проверяйте устройство на наличие поврежденных и изношенных частей.**

Проверьте головку катушки, щиток и переднюю вспомогательную рукоятку и замените треснувшие, деформированные, изогнутые или поврежденные части.

**⚠ ПРЕДУПРЕЖДЕНИЕ.** Чтобы предотвратить получение серьезных травм, извлекайте аккумулятор перед выполнением сервисного обслуживания, очистки, замены принадлежностей или удаления материала из устройства.

## ИСПОЛЬЗОВАНИЕ ИНСТРУМЕНТА ДЛЯ ОБРЕЗКИ КРОМОК С ПРИВОДНЫМ БЛОКОМ

**⚠ ПРЕДУПРЕЖДЕНИЕ.** Одевайтесь надлежащим образом, чтобы снизить риск получения травм при использовании данного устройства. Не надевайте свободную одежду и украшения. Используйте защиту органов зрения и слуха. Надевайте плотные длинные брюки, прочную обувь и перчатки. Не надевайте шорты, сандалии и не работайте босиком. Надевайте маску или респиратор при работе в пыльной среде.

**⚠ ПРЕДУПРЕЖДЕНИЕ.** Уберите из рабочей зоны все препятствия и твердые предметы.

Для более безопасной и удобной работы используйте наплечный ремень. Отрегулируйте наплечный ремень до удобного положения.

Удерживайте инструмент правой рукой за заднюю рукоятку, а левой — за переднюю вспомогательную рукоятку. Во время работы крепко держите устройство обеими руками. Инструмент необходимо держать в удобном положении. Задняя рукоятка должна быть расположена на уровне бедра (Рис. В).

**⚠ ПРЕДУПРЕЖДЕНИЕ.** Наплечный ремень также является быстроразъемным механизмом, использующимся в опасных ситуациях. В случае возникновения чрезвычайной ситуации немедленно снимите его с плеча любым способом.

### Очищайте инструмент после каждого использования.

Инструкции по очистке см. в разделе «ОБСЛУЖИВАНИЕ».

### РЕГУЛИРОВКА ГЛУБИНЫ РЕЗАНИЯ

1. Остановите двигатель и извлеките аккумулятор.
2. Открутите ручку регулировки глубины в направлении стрелки разблокировки, указанной на ручке (Рис. С).
3. Переместите направляющее колесо вверх вдоль направляющей штанги регулировки глубины, чтобы увеличить глубину резки, или вниз, чтобы уменьшить глубину (Рис. D).
4. Отрегулируйте направляющее колесо таким образом, чтобы режущий элемент лишь слегка касался земли или погружался в почву не более, чем на 5 мм (Рис. E), а затем надежно зафиксируйте его.
5. Стоя в нормальном рабочем положении, снова проверьте глубину резки и откорректируйте ее, если требуется

## ВКЛЮЧЕНИЕ И ВЫКЛЮЧЕНИЕ ИНСТРУМЕНТА

См. раздел «**ВКЛЮЧЕНИЕ И ВЫКЛЮЧЕНИЕ ПРИВОДНОГО БЛОКА**» в руководстве пользователя приводного блока PH1400E.

## СОВЕТЫ ПО ЭКСПЛУАТАЦИИ

- Удерживайте и направляйте приводной блок таким образом, чтобы режущий элемент находился в вертикальном положении. Используйте боковую линию, чтобы направлять режущий элемент вдоль края клумбы (Рис. F).
- Во время работы двигайтесь обычным шагом. Если режущий элемент начинает увязать, необходимо замедлить шаг.
- Во время обрезки двигайтесь только вперед, удерживая инструмент впереди. Не тяните инструмент к себе.
- Не прижимайте режущий элемент к земле. Легкий контакт режущего элемента с краем дорожки, бордюра или клумбы является допустимым и не приведет к повреждению инструмента.
- Лучше всего обрезать сухую траву. Старайтесь на работать во влажной почве или траве, иначе щиток режущего элемента может засориться, что приведет к неровной обрезке кромки. Если щиток режущего элемента засорился, выключите двигатель, извлеките аккумулятор и удалите загрязнения с щитка.

## ОБСЛУЖИВАНИЕ

**⚠ ПРЕДУПРЕЖДЕНИЕ.** Прежде чем выполнять проверку, очистку или обслуживание устройства, выключите двигатель, дождитесь, пока все движущиеся детали полностью остановятся, а затем извлеките аккумулятор. Несоблюдение данных инструкций может привести к серьезным травмам или материальному ущербу.

**⚠ ПРЕДУПРЕЖДЕНИЕ.** При ремонте используйте только идентичные запасные части. Регулярно проверяйте и выполняйте техническое обслуживание устройства. Чтобы обеспечить безопасность и надежность устройства, его ремонт должен выполнять квалифицированный специалист.

## ОБЩЕЕ ОБСЛУЖИВАНИЕ

Не используйте растворители для очистки пластиковых частей. Большинство пластиковых частей чувствительны к различным бытовым растворителям и могут быть повреждены. Для очистки от грязи, пыли, масла, смазки и т. п. используйте чистую ткань.

## ОЧИСТКА УСТРОЙСТВА

- После каждого использования удаляйте мусор, налипшую почву и траву с режущего элемента и щитка при помощи мягкой щетки. Очищайте поверхность инструмента чистой тканью, смоченной в слабом мыльном растворе.
- С помощью маленькой щетки или нагнетания воздуха с помощью небольшого пылесоса очистите вентиляционные отверстия на задней стороне корпуса от загрязнений.

**ПРИМЕЧАНИЕ.** Не используйте активные моющие средства для очистки пластикового корпуса или рукоятки. Они могут быть повреждены определенными ароматическими маслами, такими как хвойное и лимонное масла.

## ЗАМЕНА РЕЖУЩЕГО ЭЛЕМЕНТА

**⚠ ПРЕДУПРЕЖДЕНИЕ.** Не пытайтесь выравнять или сваривать погнутые или треснувшие режущие элементы — они подлежат замене. Рекомендуется заменять только режущими элементами EGO, см. раздел «**Рекомендуемый режущий элемент**».

**ПРИМЕЧАНИЕ.** Замените режущий элемент, если его длины не хватает, чтобы поддерживать необходимое расстояние от земли и требуемую глубину резания.

**⚠ ПРЕДУПРЕЖДЕНИЕ.** При выполнении любых работ по обслуживанию режущего элемента всегда надевайте прочные перчатки или обматывайте режущий элемент ветошью или другим материалом.

## Демонтаж режущего элемента

1. Остановите двигатель и извлеките аккумулятор.
2. Положите инструмент на бок таким образом, чтобы режущий элемент был направлен вверх.
3. Наденьте защитные перчатки. С помощью остроносых плоскогубцев (не входят в комплект) извлеките шплинт из вала двигателя (Рис. G).
4. Проверните режущий элемент, чтобы совместить отверстие на фланце с отверстием в редукторе (Рис. G).

Описание частей на Рис. G

G-1	Шплинт
G-2	Внутренний фланец
G-3	Редуктор

5. Вставьте прилагаемый шестигранный ключ в совмещенные отверстия в качестве фиксатора. Используйте прилагаемый многофункциональный гаечный ключ, чтобы открутить гайку **ПО ЧАСОВОЙ СТРЕЛКЕ** (Рис. H).

- Снимите гайку, внешний фланец, режущий элемент и внутренний фланец с вала двигателя (Рис. I). Проверьте и замените изношенные части.

Описание частей на Рис. I

I-1	Вал двигателя	I-5	Нож
I-2	Внутренний фланец	I-6	Внешний фланец
I-3	Отверстие внутреннего фланца	I-7	Гайка
I-4	Выступ на внутреннем фланце	I-8	Шплинт

#### Установка режущего элемента

- Поместите внутренний фланец на вал двигателя выступом наружу (Рис. I).
- Установите новый режущий элемент на внутренний фланец и убедитесь, что режущий элемент надежно закреплен на своем месте (Рис. J).
- Установите внешний фланец и гайку на вал и предварительно затяните гайку **ПРОТИВ ЧАСОВОЙ СТРЕЛКИ**.
- Следуйте шагам 4 и 5 в разделе «Демонтаж режущего элемента», чтобы зафиксировать режущий элемент, и надежно затяните гайку **ПРОТИВ ЧАСОВОЙ СТРЕЛКИ**.
- Вставьте новый прилагаемый шплинт в отверстие в вале двигателя. Загните два конца шплинта в разных направлениях при помощи остроносых плоскогубцев (не входят в комплект) (Рис. G).

#### ЗАМЕНА НАПРАВЛЯЮЩЕГО КОЛЕСА

- Остановите двигатель и извлеките аккумулятор.
- Положите инструмент на бок таким образом, чтобы направляющее колесо было направлено вверх.
- Открутите ручку регулировки глубины в направлении стрелки разблокировки, указанной на ручке, и извлеките ее.
- Снимите пружинную шайбу, плоскую шайбу 1, направляющее колесо, втулку и плоскую шайбу 2 с винтовой стойки (Рис. К). Проверьте и замените изношенные части.
- Сначала вставьте винтовую стойку через направляющую штангу регулировки глубины, затем установите плоскую шайбу 2, втулку и новое колесо, потом установите плоскую шайбу 1, пружинную шайбу и ручку регулировки глубины на винтовую стойку в порядке, указанном на Рис. К.

Описание частей на Рис. К

K-1	Ручка регулировки глубины	K-5	Втулка
K-2	Пружинная шайба	K-6	Плоская шайба 2
K-3	Плоская шайба 1	K-7	Винтовая стойка
K-4	Направляющее колесо	K-8	Направляющая штанга регулировки глубины

**ПРИМЕЧАНИЕ.** Направляющее колесо должно быть установлено таким образом, чтобы его плоские ребра были направлены внутрь (Рис. L).

Описание частей на Рис. L

L-1	Винты	L-3	Заслонка от отбрасываемого мусора
L-2	Плоское ребро	L-4	Крепежная панель

- Заблокируйте ручку регулировки глубины.

#### ЗАМЕНА ЗАСЛОНКИ ОТ ОТБРАСЫВАЕМОГО МУСОРА

- Остановите двигатель и извлеките аккумулятор.
- Используйте прилагаемый шестигранный ключ, чтобы открутить два винта.
- Извлеките винты, крепежную панель и изношенную заслонку.
- Установите новую заслонку и зафиксируйте ее при помощи крепежной панели и двух винтов.

#### ПРОВЕРКА И ЗАМЕНА ПРОТИВОИЗНОСНОГО ЩИТКА/НАПРАВЛЯЮЩЕЙ ПЛАСТИНЫ (Рис. М)

Перед запуском электроинструмента проверьте противоизносный щиток и направляющую панель на наличие повреждений. Противоизносный щиток необходимо заменять, как только становится виден редуктор.

**ПРИМЕЧАНИЕ.** Если вовремя не заменить противоизносный щиток, это может привести к серьезным повреждениям редуктора.

- Остановите двигатель и извлеките аккумулятор.
- Наденьте защитные перчатки. Если требуется, проверните режущий элемент, чтобы получить доступ к двум винтам.
- С помощью прилагаемого шестигранного ключа открутите два винта и извлеките их.



**ПРИМЕЧАНИЕ.** Если необходимо заменить только направляющую пластину, открутите и извлеките только винт 1.

4. Заменяйте деформированные или изношенные противоизносные щитки и направляющие пластины.
5. Установите новые противоизносный щиток и направляющую пластину на редуктор и зафиксируйте их при помощи двух винтов.

Описание частей на Рис. М

М-1	Винт 1	М-4	Противоизносный щиток
М-2	Направляющая пластина	М-5	Крепежные отверстия
М-3	Винт 2	М-6	Редуктор

### ДЕМОНТАЖ НАПРАВЛЯЮЩЕЙ ПЛАСТИНЫ

Если оператор имеет необходимые навыки обращения с данным инструментом или если направляющая пластина мешает работе с устройством, ее можно снять.

1. Открутите и извлеките винт 1.
2. Снимите направляющую пластину.
3. Установите винт 1 на место и затяните его.

### СМАЗКА ШЕСТЕРНЕЙ РЕДУКТОРА

Шестерни в редукторе необходимо периодически смазывать трансмиссионной смазкой. Проверяйте уровень смазки каждые 50 часов работы. Для этого извлеките уплотнительный винт на боковой стороне корпуса.

Если по бокам шестерней не видно следов смазки, выполните указанные ниже действия, чтобы залить трансмиссионную смазку на 3/4 объема.

Не заливайте шестерни редуктора полностью.

1. Расположите инструмент вертикально, чтобы уплотнительный винт был направлен вверх (Рис. N).
2. Используйте прилагаемый многофункциональный гаечный ключ, чтобы открутить и извлечь уплотнительный винт. Используйте смазочный шприц (не входит в комплект), чтобы впрыснуть немного смазки в отверстие для винта (не более 3/4 объема).
3. Закрутите уплотнительный винт после смазки.

### ХРАНЕНИЕ УСТРОЙСТВА

- Извлеките аккумулятор из инструмента.
- Тщательно очистите устройство перед хранением.

- Если инструмент для обрезки кромок снят с приводного блока и хранится отдельно, наденьте колпачок на вал инструмента, чтобы избежать загрязнения втулки.
- Храните устройство в сухом, хорошо проветриваемом, закрытом или высоком месте, недоступном для детей. Не храните устройство рядом с удобрениями, бензином или другими химическими веществами.

RU



### Защита окружающей среды



Не выбрасывайте электрооборудование, зарядные устройства, батарейки и аккумуляторы вместе с бытовыми отходами!

В соответствии с европейским законом 2012/19/EU электрическое и электронное оборудование, которое не подлежит дальнейшей эксплуатации, а также непригодные и использованные батарейки и аккумуляторы (согласно европейскому закону 2006/66/ЕС) должны быть утилизированы отдельно.

При утилизации электрических устройств на свалках в подземные воды могут просочиться опасные вещества, которые затем попадут в пищевую цепь и приведут к общему ухудшению здоровья и благополучия.

RU

### ДЕКЛАРАЦИЯ О СООТВЕТСТВИИ НОРМАМ ЕС



Мы, EGO EUROPE GMBH

Wahlwiesenstrasse 1, D-71711 Steinheim an der Murr  
Deutschland

Заявляем, что беспроводной **инструмент для обрезки кромок EA0800 с литий-ионным аккумулятором 56 В**, предназначенный для использования с приводным блоком PH1400E

соответствует основным правилам техники безопасности и производственной санитарии следующих директив:

2006/42/ЕС, 2014/30/EU, 2011/65/EU, 2000/14/ЕС

Стандарты и технические требования, относящиеся к:

EN 60745-1, ISO 11789-1, EN 55014-1, EN 55014-2

Измеренный уровень звукового давления: 92,4 дБ (А),

Гарантированный уровень звуковой мощности: 95 дБ (А)

Peter Melrose  
Директор EGO Europe GmbH

Dong Jianxun  
Руководитель отдела  
технического контроля Chervon

\* (уполномоченный представитель CHERVON и лицо, ответственное за техническую документацию)

01/12/2016

## УСТРАНЕНИЕ НЕИСПРАВНОСТЕЙ

ПРОБЛЕМА	ПРИЧИНА	РЕШЕНИЕ
Двигатель не запускается.	<ul style="list-style-type: none"> <li>■ Аккумулятор не установлен в приводной блок.</li> <li>■ Нет электрического контакта между приводным блоком и аккумулятором.</li> <li>■ Аккумулятор разряжен.</li> <li>■ кнопка блокировки и курковый переключатель не зажаты одновременно.</li> </ul>	<ul style="list-style-type: none"> <li>■ Установите аккумулятор в приводной блок.</li> <li>■ Извлеките аккумулятор, проверьте контакты и установите аккумулятор на место до щелчка.</li> <li>■ Зарядите аккумулятор с помощью зарядного устройства EGO, указанного в данном руководстве.</li> <li>■ Нажмите на рычаг блокировки и удерживайте его, затем зажмите курковый переключатель, чтобы включить триммер.</li> </ul>
Приводной блок остановился во время работы.	<ul style="list-style-type: none"> <li>■ Двигатель перегружен.</li> <li>■ Аккумулятор или приводной блок перегрелся.</li> <li>■ Аккумулятор не подключен к устройству.</li> <li>■ Аккумулятор разряжен.</li> </ul>	<ul style="list-style-type: none"> <li>■ Двигатель начнет работать снова, как только нагрузка уменьшится. При длительной работе снизьте нагрузку на приводной блок.</li> <li>■ Дайте аккумулятору или приводному блоку остыть, пока температура не упадет ниже 67°C.</li> <li>■ Установите аккумулятор.</li> <li>■ Зарядите аккумулятор с помощью зарядного устройства EGO, указанного в данном руководстве.</li> </ul>
Неровный результат обрезки.	<ul style="list-style-type: none"> <li>■ Обрабатываемая почва или трава слишком влажная.</li> <li>■ Щиток режущего элемента загрязнен.</li> </ul>	<ul style="list-style-type: none"> <li>■ Избегайте использования инструмента в мокрой почве и траве.</li> <li>■ Выключите двигатель, извлеките аккумулятор и удалите загрязнения с щитка.</li> </ul>

RU

## ГАРАНТИЯ

### ГАРАНТИЙНАЯ ПОЛИТИКА EGO

Посетите веб-сайт [egopowerplus.com](http://egopowerplus.com), чтобы ознакомиться со всеми условиями и сроками гарантийной политики EGO.

## PRZECZYTAJ WSZYSTKIE INSTRUKCJE!



PRZECZYTAJ INSTRUKCJĘ OPERATORA

**⚠ Ryzyko** szcżątkowe! Osoby z urządzeniami elektronicznymi, takimi jak rozruszniki serca, powinny przed użyciem produktu skonsultować się ze swoim(i) lekarzem/-ami. Używanie urządzeń elektrycznych blisko rozrusznika serca może spowodować zakłócenia lub uszkodzić rozrusznik.

**⚠ OSTRZEŻENIE:** Aby zagwarantować bezpieczeństwo i niezawodność, wszystkie naprawy i wymiany części powinny być wykonywane przez wykwalifikowanych techników serwisu.

## SYMBOLE BEZPIECZEŃSTWA

Celem symboli bezpieczeństwa jest zwrócenie uwagi użytkownika na możliwe zagrożenia. Symbole bezpieczeństwa i objaśnienia do nich zasługują na to, by je uważnie przestudiować i zrozumieć. Symbole bezpieczeństwa nie eliminują same z siebie jakichkolwiek zagrożeń. Podawane w nich instrukcje i ostrzeżenia nie zastępują odpowiednich środków zapobiegania wypadkom.

**⚠ OSTRZEŻENIE:** Przed użyciem narzędzia prosimy przeczytać i zrozumieć wszystkie instrukcje dotyczące bezpieczeństwa podane w podręczniku użytkownika, łącznie z wszystkimi symbolami ostrzegawczymi takimi jak „NIEBEZPIECZEŃSTWO”, „OSTRZEŻENIE” i „UWAGA”. Niestosowanie się do wszystkich podanych niżej instrukcji może doprowadzić do porażenia prądem, pożaru i/lub poważnych obrażeń.

## ZNACZENIE SYMBOLI

**⚠ SYMBOL OSTRZEGAWCZY:** Oznacza NIEBEZPIECZEŃSTWO, OSTRZEŻENIE lub PRZESTROGĘ. Może być używany razem z innymi symbolami lub piktogramami.

**⚠ OSTRZEŻENIE:** Praca elektronarzędziami może spowodować wyrzucenie ciał obcych w oczy użytkownika, co może doprowadzić do poważnych urazów oczu. Przed rozpoczęciem pracy elektronarzędziem należy zawsze założyć gogle ochronne lub okulary z osłonami bocznymi, a w stosownych przypadkach także pełną osłonę na twarz. Zalecamy nakładanie na zwykłe okulary maski

zabezpieczającej o szerokim polu widzenia lub stosowanie standardowych okularów zabezpieczających z osłonami bocznymi.

## INSTRUKCJE DOTYCZĄCE BEZPIECZEŃSTWA

Na tej stronie pokazano i opisano symbole bezpieczeństwa, które mogą występować na produkcie. Przed podjęciem próby złożenia i użycia urządzenia należy przeczytać i zrozumieć wszystkie instrukcje dotyczące urządzenia oraz zastosować się do nich.

	Ostrzeżenie dotyczące bezpieczeństwa	Wskazuje na potencjalne ryzyko urazów ciała.
	Przeczytaj instrukcję operatora	Aby zmniejszyć ryzyko urazów, użytkownik musi przeczytać i zrozumieć instrukcję przed rozpoczęciem korzystania z produktu.
	Noś ochronniki słuchu i środki ochrony oczu	Podczas używania produktu należy zawsze nosić gogle ochronne lub okulary ochronne z osłonami bocznymi, a także pełną osłonę na twarz.
	Osoby postronne trzymaj w bezpiecznej odległości	W czasie używania końcówki do wyrównywania brzegów należy pilnować, aby osoby postronne i zwierzęta domowe pozostawały w bezpiecznej odległości od pracującego narzędzia.
	Kierunek obrotów ostrza końcówki do wyrównywania brzegów	Wskazuje kierunek obrotów ostrza końcówki do wyrównywania brzegów.
	Przedmioty wyrzucane w powietrze	Teren, na którym będzie używane urządzenie, należy dokładnie sprawdzić. Wszystkie kamienie, patyki, druty, kości i inne przeszkody należy usunąć.

	Kręcące się ostrze tnące	Nie należy kłaść dłoni ani stawić stóp w pobliżu obracających się części lub pod nimi.
	Chroń przed deszczem	Nie używać w deszczu i nie zostawiać na dworze podczas deszczu.
	CE	Produkt jest zgodny z obowiązującymi dyrektywami WE.
	WEEE	Zużytych urządzeń elektrycznych nie należy wyrzucać razem ze zwykłymi odpadami domowymi. Należy je oddać do autoryzowanego punktu recyklingu.
	Hałas	Gwarantowany poziom mocy akustycznej. Emisja hałasu do środowiska zgodnie z dyrektywą Wspólnoty Europejskiej.
V	Wolt	Napięcie
mm	Milimetr	Długość lub rozmiar
cm	Centymetr	Długość lub rozmiar
kg	Kilogram	Ciężar
	Prąd stały	Rodzaj lub charakterystyka prądu

## WAŻNE INSTRUKCJE DOTYCZĄCE BEZPIECZEŃSTWA

**⚠ OSTRZEŻENIE:** Podczas używania podkaszarek elektrycznych, aby zmniejszyć ryzyko pożaru, porażenia prądem i obrażeń, należy zawsze przestrzegać podstawowych zasad bezpieczeństwa, w tym m.in. zaleceń podanych poniżej.

### PRZECZYTAJ UWAGNIE PRZED UŻYCIEM

### ZACHOWAJ NA PRZYSZŁOŚĆ

**⚠ NIEBEZPIECZEŃSTWO:** W odniesieniu do ochrony przed porażeniem prądem nie należy polegać tylko i wyłącznie na izolacji narzędzia. Aby ograniczyć ryzyko porażenia prądem, nigdy nie należy używać narzędzia w pobliżu jakichkolwiek przewodów lub kabli (zasilanie, itp.), które mogą być pod napięciem.

**⚠ OSTROŻNIE:** Podczas użytkowania należy nosić odpowiednie indywidualne środki ochrony słuchu. W niektórych sytuacjach i przy długotrwałym użytkowaniu hałas generowany przez narzędzie może przyczynić się do utraty słuchu.

### Szkolenie

- Prosimy uważnie przeczytać instrukcję. Należy zapoznać się z elementami sterującymi i metodami poprawnej obsługi urządzenia.
- Nigdy nie należy pozwalać używać urządzenia osobom nieobeznanim z niniejszą instrukcją lub dzieciom. Przepisy lokalne mogą nakładać ograniczenia dotyczące wieku operatora.
- Końcówki do wyrównywania brzegów nie należy nigdy używać, gdy w pobliżu znajdują się ludzie (zwłaszcza dzieci) lub zwierzęta domowe.
- Należy pamiętać, że operator lub użytkownik ponosi odpowiedzialność za wypadki lub zagrożenia dotyczące osób trzecich lub ich własności.

### Przygotowanie

- Podczas wyrównywania brzegów należy zawsze nosić ochronniki słuchu i środki ochrony oczu, solidne obuwie z podeszwami antypoślizgowymi oraz długie spodnie.
- Teren, na którym będzie używane urządzenie, należy dokładnie sprawdzić. Wszystkie kamienie, patyki, druty, kości i inne przeszkody należy usunąć.
- Przed użyciem należy zawsze skontrolować narzędzie wzrokowo, aby upewnić się, czy ostrza, śruba mocująca ostrza i moduł tnący nie są zużyte lub uszkodzone. Aby zachować równowagę narzędzia, zużyte lub uszkodzone ostrza i śruby należy wymieniać całymi kompletami.

### Użytkowanie

- Wyrównywanie brzegów należy wykonywać tylko przy świetle dziennym lub przy dobrym oświetleniu sztucznym.
- Na pochyłościach należy zawsze dbać o zachowanie równowagi.
- Należy chodzić, a nie biegać.
- Podczas cofania lub ciągnięcia końcówki do wyrównywania brzegów do siebie należy zachowywać szczególną ostrożność.
- Przed przekraczaniem powierzchni innych niż trawiaste oraz podczas transportowania końcówki do wyrównywania brzegów w miejsce pracy i z powrotem należy upewnić się, że ostrze całkowicie się zatrzymało.

PL

- Końcówki do wyrównywania brzegów nie należy nigdy włączać bez założonych osłon, z osłonami założonymi nieprawidłowo oraz w przypadku ich uszkodzenia.
- Nie wolno zmieniać ustawień regulacji silnika ani dopuszczać do pracy na zbyt wysokich obrotach.
- Silnik należy włączać uważnie i zgodnie z instrukcjami, a stopy trzymać w bezpiecznej odległości od ostrza/-y.
- Nie należy włączać silnika, gdy przed ostrzem/ostrzami ktokolwiek stoi.
- Nie należy kłaść dłoni ani stawiać stóp w pobliżu obracających się części lub pod nimi.
- W następujących sytuacjach należy wyłączyć silnik i odłączyć akumulator:
  - 1) gdy urządzenie jest zapchane, przed wyczyszczeniem go;
  - 2) przed kontrolą, czyszczeniem i pracami przy ostrzu/ostrzach;
  - 3) po uderzeniu w przedmiot/przeszkodę: należy sprawdzić, czy ostrza nie są uszkodzone, a w razie potrzeby dokonać naprawy przed ponownym włączeniem i użyciem końcówki;
  - 4) jeżeli końcówka do wyrównywania brzegów zacznie nietypowo drgać (skontrolować natychmiast).
- Za każdym razem, gdy użytkownik pozostawia końcówkę do wyrównywania brzegów, należy ją wyłączyć.

PL

- Akumulatora nie należy ładować na deszczu i miejscach wilgotnych.
- W urządzeniu należy używać wyłącznie ładowarek i akumulatorów wymienionych poniżej:

AKUMULATOR	ŁADOWARKA
BA1120E, BA2240E, BA2800,	CH2100E
BA3360, BA4200	CH5500E

- Przed użyciem akumulator należy wyjąć z urządzenia.
- Akumulator należy zutylizować w sposób bezpieczny.
- Akumulatorów nie należy wrzucać do ognia. Ognia mogą wybuchnąć. Należy zapoznać się z przepisami lokalnymi pod kątem ewentualnych instrukcji w sprawie ich utylizacji.
- Akumulatora nie należy otwierać ani uszkadzać. Uwolniony elektrolit jest żrący i może uszkodzić oczy i skórę. W przypadku poknięcia może być toksyczny.

- Z akumulatorami należy obchodzić się ostrożnie. Należy uważać, aby nie zerwać wyprowadzeń materiałami przewodzącymi takimi jak pierścionki, bransoletki i klucze. Akumulator lub przewodnik mogą się przegrzać i spowodować oparzenia.
- Narzędzia akumulatorowe nie wymagają podłączenia do kontaktu elektrycznego i dlatego są zawsze gotowe do pracy. Należy więc mieć świadomość możliwych zagrożeń, występujących nawet wtedy, gdy narzędzie nie jest używane. Podczas wykonywania czynności konserwacyjnych lub serwisowych należy zachować ostrożność.
- Nie należy czyścić urządzenia węzłem; należy unikać zachlapywania wodą silnika i połączeń elektrycznych.

## Konserwacja i przechowywanie

- Należy dbać o to, aby wszystkie nakrętki, śruby i wkręty były dokręcone, tak aby urządzenie działało w sposób całkowicie bezpieczny.
- Zużyte lub uszkodzone części należy wymienić.
- Nie należy próbować naprawiać urządzenia, chyba że użytkownik posiada w tym zakresie odpowiednie kompetencje.
- Należy używać wyłącznie części zamiennych i akcesoriów zalecanych przez producenta.
- Przed wykonaniem czynności konserwacyjnych oraz przed czyszczeniem narzędzie należy odłączyć od akumulatora.
- Urządzenie należy regularnie kontrolować i konserwować. Naprawy urządzenia powinny być wykonywane wyłącznie przez serwisanta z odpowiednimi uprawnieniami.
- Gdy urządzenie nie jest używane, należy je przechowywać w miejscu niedostępnym dla dzieci.
- W sytuacjach, które nie zostały przewidziane w niniejszej instrukcji należy zachować ostrożność i kierować się własnym zdrowym rozsądkiem. W celu uzyskania pomocy prosimy skontaktować się z centrum serwisowym EGO.
- Prosimy zachować instrukcję. Zachęcamy do częstego korzystania z niej. Instrukcja może też posłużyć do przeszkolenia innych osób, które będą używały narzędzia. Jeśli narzędzie zostanie komuś pożyczone, osobie tej należy również udostępnić niniejszą instrukcję, aby zapobiec niewłaściwemu użytkowaniu i możliwym urazom.

## INSTRUKCJI NIE NALEŻY WYRZUCAĆ

**UWAGA: DODATKOWE, SZCZEGÓŁOWE ZASADY BEZPIECZEŃSTWA PODANO W INSTRUKCJI OPERATORA GŁOWICY UNIWERSALNEJ.**

## SPECYFIKACJA

Długość ostrza	20 cm	
Głębokość przycinania brzegów	Do 75 mm	
Waga	2,26 kg	
Zmierzony poziom mocy akustycznej $L_{WA}$	92,4 dB(A) K=2,07 dB(A)	
Poziom ciśnienia akustycznego przy uchu operatora $L_{PA}$	79,8 dB(A) K=3 dB(A)	
Gwarantowany poziom mocy akustycznej $L_{WA}$ (zmierzony zgodnie z dyrektywą 2000/14/WE)	95 dB(A)	
Drgania $a_n$	Przedni uchwyt pomocniczy	1,2 m/s <sup>2</sup> K=1,5 m/s <sup>2</sup>
	Uchwyt tylny	2,2 m/s <sup>2</sup> K=1,5 m/s <sup>2</sup>

- Powyższe parametry są testowane i mierzone na głowicy uniwersalnej PH1400E;
- Deklarowana całkowita wartość drgań została zmierzona zgodnie ze standardowymi metodami testowania i może służyć do porównywania różnych narzędzi.
- Deklarowana całkowita wartość drgań może również służyć do wstępnej oceny narażenia na drgania.

**UWAGA:** W zależności od sposobu eksploatacji, emisja wibracji podczas faktycznego użytkowania elektronarzędzia może się różnić od wartości deklarowanej. Aby chronić operatora, w rzeczywistych warunkach użytkowania użytkownik powinien nosić rękawice i naszłuki ochronne.

## LISTA ELEMENTÓW W OPAKOWANIU

NAZWA CZĘŚCI	ILOŚĆ
Końcówka do wyrównywania brzegów	1
Klucz imbusowy	1
Klucz wielofunkcyjny	1
Zawlecza	2
Instrukcja operatora	1

### Zalecane ostrze

NAZWA CZĘŚCI	NUMER MODELU
Ostrze wyrównujące	AEB0800

## OPIS

### POZNAJ KOŃCÓWKĘ DO WYRÓWNYWANIA BRZEGÓW (Rys. A)

1. Zaśllepka
2. Trzonek
3. Osłona ostrza
4. Ostrze
5. Pokrętko regulacji głębokości
6. Koło prowadzące
7. Klucz imbusowy
8. Klucz wielofunkcyjny
9. Prowadnica regulacji głębokości
10. Kłapka zatrzymująca odpady
11. Zawlecza
12. Śruba mocująca płytkę prowadzącą
13. Płytkę prowadzącą

## MONTAŻ

**⚠ OSTRZEŻENIE:** W przypadku braku lub uszkodzenia którejs z części nie należy uruchamiać urządzenia aż do momentu wymiany lub naprawy części. Używanie urządzenia z uszkodzonymi lub brakującymi częściami może doprowadzić do poważnych urazów ciała.

**⚠ OSTRZEŻENIE:** Nie należy próbować przerabiać urządzenia lub tworzyć akcesoriów, które nie są zalecane do używania w podkaszarce. Wszelkie tego typu zmiany lub modyfikacje są niedozwolone i mogą prowadzić do niebezpiecznych sytuacji oraz poważnych urazów ciała.

**⚠ OSTRZEŻENIE:** **Ostony ostrza nie należy regulować.** Osłona ostrza została ustawiona fabrycznie w taki sposób, że strzałka na osłonie ostrza po stronie otwartej wskazuje kierunek od operatora. Dzięki temu ścinki i odpady są wyrzucane w kierunku od elektronarzędzia i od operatora.

### ZAKŁADANIE KOŃCÓWKI DO WYRÓWNYWANIA BRZEGÓW NA GŁOWICĘ UNIWERSALNĄ

Ta końcówka do wyrównywania brzegów została zaprojektowana do używania z głowicą uniwersalną EGO model PH1400E z akumulatorem litowo jonowym 56 V.

Więcej informacji – patrz część „**ZAKŁADANIE KOŃCÓWKI NA GŁOWICĘ UNIWERSALNĄ**” w instrukcji do głowicy uniwersalnej PH1400E.

PL

## UŻYTKOWANIE

**⚠ OSTRZEŻENIE:** Nie wolno dopuścić do tego, aby znajomość narzędzia doprowadziła do nieuwagi. Należy pamiętać, że do spowodowania poważnych obrażeń wystarczy zaledwie chwila nieuwagi.

**⚠ OSTRZEŻENIE:** Należy zawsze nosić okulary ochronne z osłonami bocznymi. Ponadto należy też nosić naszniki ochronne. Nieprzestrzeganie tego zalecenia może doprowadzić do poważnych obrażeń oczu odłamkiem lub skrawkiem materiału wyrzuconym przez pracujące narzędzie, a także grozi innymi możliwymi urazami.

## ZASTOSOWANIA

Urządzenia można używać wyłącznie do celów podanych poniżej:

- Wyrównywanie trawników wzdłuż ścieżek, krawężników, kwietników i innych podobnych struktur.

**UWAGA:** Narzędzia należy używać tylko do celów zgodnych z przeznaczeniem. Wszelkie inne zastosowania uznaje się za niezgodne z przeznaczeniem.

### Przed każdym użyciem należy sprawdzić, czy jakieś części nie są uszkodzone lub zużyte

Należy skontrolować głowicę-uderzak, osłonę i przedni uchwyt pomocniczy oraz wymienić części pęknięte, wypaczone, skrzywione lub uszkodzone w jakikolwiek sposób.

**⚠ OSTRZEŻENIE:** Aby uniknąć poważnych obrażeń ciała, przed serwisowaniem, czyszczeniem, wymianą osprzętu dodatkowego oraz usuwaniem materiału należy zawsze wyjmować z narzędzia akumulator.

## UŻYWANIE KOŃCÓWKI DO WYRÓWNYWANIA BRZEGÓW ZAŁOŻONEJ NA GŁOWICĘ UNIWERSALNĄ

**⚠ OSTRZEŻENIE:** Aby ograniczyć ryzyko obrażeń, podczas pracy narzędziem należy nosić odpowiednią odzież. Nie należy nosić luźnych ubrań ani biżuterii. Należy nosić środki ochrony oczu i ochronniki słuchu. Należy nosić ciężkie długie spodnie, solidne buty i rękawice. Nie należy nosić krótkich spodni lub sandałów ani używać narzędzia na bosą stopę. Podczas pracy przy silnym zapyleniu należy nosić osłonę na twarz lub maskę przeciwpyłową.

**⚠ OSTRZEŻENIE:** Z miejsca pracy należy usunąć wszystkie przeszkody i twarde przedmioty.

Aby bezpieczniej i lepiej pracować narzędziem, należy przelożyć przez ramię pasek na ramię. Pasek należy wyregulować w taki sposób, aby zagwarantować wygodną pozycję pracy.

Końcówkę do wyrównywania brzegów należy zawsze trzymać prawą ręką na uchwycie tylnym, a lewą na przednim uchwycie pomocniczym. Podczas pracy narzędziem mocno trzymać uchwyty obiema rękoma. Końcówkę do wyrównywania brzegów należy trzymać wygodnie z tylnym uchwytem znajdującym się mniej więcej na wysokości bioder (Rys. B).

**⚠ OSTRZEŻENIE:** Pasek na ramię jest także mechanizmem szybkiego odłączenia w niebezpiecznych sytuacjach. W sytuacji awaryjnej należy go natychmiast zdjąć z ramienia, niezależnie od sposobu założenia paska.

### Po każdym użyciu końcówkę do wyrównywania brzegów należy wyczyścić.

Instrukcje dotyczące czyszczenia – patrz część zatytułowana KONSERWACJA.

## REGULACJA GŁĘBOKOŚCI CIĘCIA

1. Wyłączyć silnik i wyjąć akumulator.
2. Poluzować pokrętko regulacji głębokości, przekręcić je w kierunku strzałki na pokrętle wskazującej odkręcanie (Rys. C).
3. Przesunąć koło prowadzące wzdłuż prowadnicy regulacji głębokości, do góry, aby zwiększyć głębokość cięcia lub w dół, aby ją zmniejszyć (Rys. D).
4. Ustawić koło prowadzące w taki sposób, aby ostrze ledwo dotykało ziemi lub zagłębiało się w powierzchnię podłoża nie więcej niż na 5 mm (Rys. E). Następnie mocno dokręcić.
5. Stać w zwykłej pozycji pracy i sprawdzić, głębokość cięcia ponownie, w razie potrzeby skorygować.

## WŁĄCZANIE/WYŁĄCZANIE NARZĘDZIA

Więcej informacji – patrz część „WŁĄCZANIE/WYŁĄCZANIE GŁOWICY UNIWERSALNEJ” w instrukcji do głowicy uniwersalnej PH1400E.

## WSKAZÓWKI DOTYCZĄCE UŻYTKOWANIA

- Głowicę uniwersalną należy trzymać i prowadzić w taki sposób, aby ostrze było ustawione w pozycji pionowej. Aby równo prowadzić ostrze wzdłuż krawędzi grządkli można używać wskaźnika prowadzącego (Rys. F).
- Należy pracować z prędkością nie większą niż zwykły krok spacerowy. Jeśli ostrze znacznie grzeje się, oznacza to, że prędkość wyrównywania jest za duża, należy wtedy zwolnić.



- Podczas pracy należy zawsze chodzić do przodu i trzymać końcówkę wyrównującą z przodu. Nie należy ciągnąć końcówki do siebie.
- Nie należy wciskać ostrza w ziemię. Lekkie dotykanie ostrzem krawędzi chodnika, krawężnika itp. jest dopuszczalne i nie spowoduje uszkodzenia końcówki.
- Najlepsze efekty uzyskuje się, gdy trawa jest sucha. Należy unikać wyrównywania brzegów na mokrej ziemi lub trawie, ponieważ osłona ostrza może się zapchać, co w efekcie może doprowadzić do nierównego cięcia. Jeśli osłona ostrza zapcha się, należy wyłączyć silnik, wyjąć akumulator i usunąć zanieczyszczenia z osłony ostrza.

## KONSERWACJA

**⚠ OSTRZEŻENIE:** Przed kontrolą, czyszczeniem lub serwisowaniem urządzenia należy wyłączyć silnik, odczekać aż wszystkie poruszające części zatrzymają się i wyjąć akumulator. Niezastosowanie się do powyższych instrukcji może doprowadzić do poważnych obrażeń ciała lub do uszkodzenia mienia.

**⚠ OSTRZEŻENIE:** Podczas serwisowania należy używać wyłącznie części zamiennych identycznych z oryginalnymi. Maszynę należy regularnie kontrolować i konserwować. Aby zagwarantować bezpieczeństwo i niezawodność, wszystkie naprawy powinny być wykonywane przez wykwalifikowanych techników serwisu.

### KONSERWACJA OGÓLNA

Podczas czyszczenia części plastikowych należy unikać używania rozpuszczalników. Pod wpływem kontaktu z różnego rodzaju rozpuszczalnikami dostępnymi w handlu większość tworzyw może ulec uszkodzeniu. Do usuwania zabrudzeń, kurzu, oleju, smaru itp. należy używać czystych ściereczek.

### CZYSZCZENIE URZĄDZENIA

- Po każdym użyciu należy usunąć miękką szczoteczką zanieczyszczenia, ziemię lub trawę zapychające ostrze i jego osłonę. Powierzchnię końcówki do wyrównywania brzegów należy przetrzeć czystą szmatką zwilżoną roztworem mydła.
- Do czyszczenia otworów wentylacyjnych i usuwania zanieczyszczeń z tylnej części obudowy należy używać małej szczoteczki lub małego odkurzacza.

**UWAGA:** Do czyszczenia części plastikowych lub uchwytu nie należy używać jakichkolwiek silnych detergentów. Elementy te mogą zostać uszkodzone przez niektóre olejki aromatyczne, takie jak olejek sosnowy i cytrynowy.

## WYMIANA OSTRZA

**⚠ OSTRZEŻENIE:** Nie należy próbować prostować lub spawać skrzywionego lub pękniętego ostrza – element taki może pęknąć i należy go koniecznie wymienić. Zaleca się wymianę tylko na ostrze do końcówki do wyrównywania brzegów EGO, patrz część „Zalecane ostrze”.

**UWAGA:** Jeśli długość ostrza jest już za mała, aby utrzymać wymagany odstęp od ziemi i uzyskać potrzebną głębokość cięcia, ostrze należy wymienić.

**⚠ OSTRZEŻENIE:** Podczas czynności konserwacyjnych przy ostrzu końcówki do wyrównywania brzegów należy zawsze chronić ręce przez noszenie solidnych rękawic lub owinięcie ostrza szmatami lub innymi materiałami.

### Zdejmowanie ostrza

1. Wyłączyć silnik i wyjąć akumulator.
2. Położyć końcówkę ostrzem do góry.
3. Założyć rękawice ochronne. Użyć wąsko zakończonych szczypiec (do dokupienia osobno), aby wyjąć zawleczkę z wałka silnika (Rys. G).
4. Obrócić ostrze tak, aby otwór w kołnierzu dopasować do otworu w obudowie przekładni (Rys. G).

Rys. G – opis części patrz poniżej:

G-1	Zawleczka
G-2	Kołnierz wewnętrzny
G-3	Obudowa przekładni

5. Przełożyć klucz imbusowy przez obydwa otwory – klucz będzie pełnił rolę stabilizatora. Użyć klucza wielofunkcyjnego, aby odkręcić nakrętkę W PRAWO (Rys. H).
6. Zdjąć z wałka silnika nakrętkę, kołnierz zewnętrzny, ostrze i kołnierz wewnętrzny (Rys. I). Skontrolować i wymienić, jeśli są one zużyte.

Rys. I – opis części patrz poniżej:

I-1	Wałek silnika	I-5	Ostrze
I-2	Kołnierz wewnętrzny	I-6	Kołnierz zewnętrzny
I-3	Szczelina w kołnierzu wewnętrznym	I-7	Nakrętka
I-4	Wybrzuszenie na kołnierzu wewnętrznym	I-8	Zawleczka

### Zakładanie ostrza

1. Nałożyć kołnierz wewnętrzny na wałek silnika występem skierowanym na zewnątrz (Rys. I).

- Założyć nowe ostrze na kołnierz wewnętrzny w taki sposób, aby ostrze było pewnie osadzone na swoim miejscu (Rys. J).
- Założyć kołnierz zewnętrzny i nałożyć na wałek nakrętkę, wstępnie dokręcić nakrętkę **W LEWO**.
- Wykonać kroki 4 i 5 z części „Zdejmovanie ostrza”, aby ustabilizować ostrze i dokręcić nakrętkę **W LEWO**.
- Założyć nową zawleczkę w otwór w wałku silnika. Użyć wąsko zakończonych szczypic (do dokupienia osobno), aby odgiąć obydwie druty zawleczki w przeciwnie strony (Rys. G).
- Kluczem wielofunkcyjnym odkręcić dwie śruby.
- Zdjąć śruby, płytkę mocującą i kłapkę zatrzymującą odpady.
- Założyć nową kłapkę zatrzymującą odpady i zamocować ją płytką mocującą oraz dwiema śrubami.

## WYMIANA KOŁA PROWADZĄCEGO

- Wyłączyć silnik i wyjąć akumulator.
- Położyć końcówkę kołem prowadzącym do góry.
- Poluzować pokrętło regulacji głębokości, przekręcić je w kierunku strzałki na pokrętle wskazującej odkręcanie, a następnie zdjąć.
- Z pręta gwintowanego zdjąć podkładkę sprężynującą, podkładkę płaską 1, koło prowadzące, tuleję i podkładkę płaską 2 (Rys. K). Skontrolować i wymienić, jeśli są one zużyte.
- Najpierw zamontować pręt gwintowany przez prowadnicę regulacji głębokości, a potem na pręt gwintowany założyć podkładkę płaską 2, tuleję i nowe koło, następnie założyć podkładkę płaską 1, podkładkę sprężynującą i pokrętło regulacji głębokości, w kolejności pokazanej na Rys. K.

Rys. K – opis części patrz poniżej:

K-1	Pokrętło regulacji głębokości	K-5	Tuleja
K-2	Podkładka sprężynująca	K-6	Podkładka płaska 2
K-3	Podkładka płaska 1	K-7	Pręt gwintowany
K-4	Koło prowadzące	K-8	Prowadnica regulacji głębokości

**UWAGA:** Koło prowadzące powinno być zamontowane płaskimi żebrami do środka (Rys. L).

Rys. L – opis części patrz poniżej:

L-1	Śruby	L-3	Kłapka zatrzymująca odpady
L-2	Płaskie żebro	L-4	Płytkę mocującą

- Dokręcić pokrętło regulacji głębokości.

## WYMIANA KLAPKI ZATRZYMUJĄCEJ ODPADY (Rys. L)

- Wyłączyć silnik i wyjąć akumulator.

## KONTROLA I WYMIANA OSŁONY ZABEZPIECZAJĄCEJ PRZED ŻUŻYCIEM/PŁYTKI PROWADZĄCEJ (Rys. M)

Przed włączeniem elektronarzędzia należy skontrolować osłonę zabezpieczającą przed zużyciem i płytkę prowadzącą pod kątem uszkodzeń. Jeśli obudowa przekładni zaczyna być widoczna, osłonę zabezpieczającą przed zużyciem należy wymienić na nową.

**UWAGA:** Jeśli osłona zabezpieczająca przed zużyciem nie zostanie wymieniona, gdy obudowa przekładni zacznie być widoczna, obudowa przekładni może ulec poważnemu uszkodzeniu.

- Wyłączyć silnik i wyjąć akumulator.
- Założyć rękawice ochronne. Obrócić ostrze na tyle, aby odsłonić dwie śruby.
- Kluczem wielofunkcyjnym odkręcić i zdjąć dwie śruby.

**UWAGA:** Jeżeli trzeba tylko wymienić płytkę prowadzącą, odkręcić i zdjąć tylko śrubę 1.

- Wymienić zdeformowaną lub zużytą osłonę zabezpieczającą przed zużyciem/płytkę prowadzącą.
- Założyć nową osłonę zabezpieczającą przed zużyciem i płytkę prowadzącą na obudowę przekładni i dokręcić je dwiema śrubami.

Rys. M opis części patrz poniżej:

M-1	Śruba 1	M-4	Osłona zabezpieczająca przeciw zużyciu się
M-2	Płytkę prowadzącą	M-5	Otwory montażowe
M-3	Śruba 2	M-6	Obudowa przekładni

## ZDEJMOWANIE PŁYTKI PROWADZĄCEJ

Jeśli użytkownik nie ma doświadczenia z tego typu końcówką wyrównującą lub jeśli zdaniem użytkownika płytka prowadząca przeszkadza w używaniu narzędzia, płytkę można zdemontować.

- Poluzować i zdjąć śrubę 1.
- Zdjąć płytkę prowadzącą.
- Włożyć z powrotem i dokręcić śrubę 1.

## SMAROWANIE PRZEKŁADNI TRANSMISYJNEJ

Przekładnia transmisyjna wymaga okresowego smarowania smarem do przekładni. Co 50 godzin pracy, należy kontrolować stan smaru w obudowie przekładni: w tym celu należy śrubę uszczelniającą z boku obudowy.

Jeśli po bokach przekładni nie widać w ogół smaru, należy wykonać kroki podane poniżej w celu napełnienia obudowy smarem do 3/4 pojemności.

Przekładni transmisyjnej nie należy całkowicie napełniać.

1. Ustawić końcówkę pionowo tak, aby śruba uszczelniająca była skierowana do góry (Rys. N).
2. Kluczem wielofunkcyjnym odkręcić i zdjąć śrubę uszczelniającą. Użyć strzykawki olejowej (do dokupienia osobno), aby wstrzyknąć odrobinę smaru w otwór na śrubę; nie należy przekraczać 3/4 pojemności.
3. Po wstrzyknięciu smaru dokręcić śrubę uszczelniającą.

## PRZECHOWYWANIE URZĄDZENIA

- Wyjąć akumulator z końcówki.
- Przed schowaniem narzędzie należy dokładnie wyczyścić.
- Jeśli końcówka wyrównująca ma być wyjęta z głowicy uniwersalnej i przechowywana osobno, należy założyć zaślepkę na wałek końcówki, aby nie dopuścić do zbierania się na łączówce brudu.
- Urządzenie należy przechowywać w suchym i dobrze wentylowanym miejscu niedostępnym dla dzieci: albo pod kluczem, albo wystarczająco wysoko. Urządzenia nie należy używać na nawozach lub w ich pobliżu, to samo dotyczy podłoży zanieczyszczonych benzyną i substancjami chemicznymi.

## Ochrona środowiska



Urządzeń elektrycznych, ładowarki do akumulatorów oraz akumulatorów/baterii akumulatorowych nie należy wyrzucać do zwykłych zmieszanych śmieci domowych!

Zgodnie z dyrektywami Wspólnoty Europejskiej, odpowiednio nr 2012/19/WE i 2006/66/WE, urządzenia elektryczne i elektroniczne nienadające się dłużej do użycia oraz uszkodzone lub zużyte akumulatory/baterie trzeba zbierać oddzielnie.

Wyrzucanie urządzeń elektrycznych na wysypisko grozi wyciekami niebezpiecznych substancji do wód gruntowych i przedostaniem się ich do łańcucha pokarmowego, ze szkodą dla zdrowia i jakości życia użytkownika.

## DEKLARACJA ZGODNOŚCI WE

Producent, EGO EUROPE GMBH

Wahlwiesenstrasse 1, D-71711 Steinheim an der Murr Deutschland

Oświadczam, że produkt **beprzewodowa końcówka do wyrównywania brzegów EA0800 z akumulatorem litowo-jonowym 56 V**, wyposażona w głowicę uniwersalną PH1400E.

Spełnia istotne wymagania BHP oraz wymogi wprowadzone następującymi dyrektywami:

2006/42/WE, 2014/30/UE, 2011/65/UE, 2000/14/WE

Normy i specyfikacje techniczne, do których występują odwołania:

EN 60745-1, ISO 11789-1, EN 55014-1, EN 55014-2

Zmierzony poziom mocy akustycznej: 92,4 dB(A),

Gwarantowany poziom mocy akustycznej: 95 dB(A)

Peter Melrose  
Dyrektor zarządzający  
EGO Europe GmbH

Dong Jianxun  
Dyrektor ds. Jakości w Chevron

\*(upoważniony przedstawiciel CHEVRON i kierownik ds. technicznych)

01/12/2016

PL

## ROZWIĄZYWANIE PROBLEMÓW

PROBLEM	PRZYCZYNA	ROZWIĄZANIE
Silnik nie zapala.	<ul style="list-style-type: none"> <li>■ Akumulator nie jest podłączony do głowicy.</li> <li>■ Głowica uniwersalna i akumulator nie kontaktują.</li> <li>■ Akumulator jest rozładowany.</li> <li>■ Przycisk odblokowująca i przełącznik spustowy nie zostały wciśnięte jednocześnie.</li> </ul>	<ul style="list-style-type: none"> <li>■ Włożyć akumulator do głowicy.</li> <li>■ Wyjąć akumulator, sprawdzić styki i założyć akumulator z powrotem aż do oporu.</li> <li>■ Naładować akumulator jedną z ładowarek EGO podanych w niniejszym podręczniku.</li> <li>■ Aby włączyć podkaszarkę, należy wcisnąć i przytrzymać przycisk odblokowująca, a następnie nacisnąć przełącznik spustowy.</li> </ul>
Głowica uniwersalna zatrzymuje się w czasie pracy.	<ul style="list-style-type: none"> <li>■ Silnik jest przeciążony.</li> <li>■ Akumulator lub głowica są zbyt gorące.</li> <li>■ Akumulator jest odłączony od narzędzia.</li> <li>■ Akumulator jest rozładowany.</li> </ul>	<ul style="list-style-type: none"> <li>■ Gdy tylko obciążenie zostanie usunięte, silnik wznowi pracę. Do pracy ciąglej należy zmniejszyć obciążenie głowicy uniwersalnej.</li> <li>■ Należy pozwolić, aby akumulator lub głowica ostygły do temperatury poniżej 67°C (152°F).</li> <li>■ Ponownie założyć akumulator.</li> <li>■ Naładować akumulator jedną z ładowarek EGO podanych w niniejszym podręczniku.</li> </ul>
Nierówna krawędź	<ul style="list-style-type: none"> <li>■ Trawa lub ziemia są zbyt mokre.</li> <li>■ Zapchana osłona ostrza.</li> </ul>	<ul style="list-style-type: none"> <li>■ Unikać wyrównywania krawędzi w mokrej ziemi lub mokrej trawie.</li> <li>■ Wyłączyć silnik, wyjąć akumulator i usunąć zanieczyszczenia z osłony ostrza.</li> </ul>

PL

## GWARANCJA

### POLITYKA GWARANCYJNA EGO

W celu zapoznania się z wszystkimi warunkami polityki gwarancyjnej EGO prosimy odwiedzić stronę [egopowerplus.com](http://egopowerplus.com).

## PŘEČTĚTE SI VŠECHNY POKYNY!



### PŘEČTĚTE SI NÁVOD K OBSLUZE

**⚠ Zbytkové riziko!** Lidé s elektronickými přístroji, jako jsou např. kardiostimulátory, by se měli před použitím tohoto výrobku poradit se svým lékařem. Použití elektrického zařízení v těsné blízkosti kardiostimulátoru může způsobit narušení činnosti nebo poruchu kardiostimulátoru.

**⚠ VAROVÁNÍ:** Z důvodu bezpečnosti by měl všechny opravy a výměny provádět kvalifikovaný servisní technik.

## BEZPEČNOSTNÍ SYMBOLY

Účelem bezpečnostních symbolů je upoutat vaši pozornost k případným nebezpečím. Bezpečnostní symboly a jejich vysvětlení vyžadují vaši zvýšenou pozornost a porozumění. Výstražné symboly samy o sobě nevyklučují žádná nebezpečí. Pokyny a varování nejsou náhradou vhodných opatření pro prevenci úrazů.

**⚠ VAROVÁNÍ:** Před použitím tohoto nástroje si přečtěte a seznamte se se všemi bezpečnostními pokyny v tomto návodu k obsluze včetně veškerých výstražných symbolů, jako např. „**NEBEZPEČÍ**“, „**VAROVÁNÍ**“ nebo „**UPOZORNĚNÍ**“. Nedodržení níže uvedených pokynů může mít za následek úraz elektrickým proudem, požár a nebo vážná poranění osob.

## VÝZNAM SYMBOLŮ

**⚠ BEZPEČNOSTNÍ VÝSTRAŽNÉ SYMBOLY:** Upozorňují na **NEBEZPEČÍ**, **VAROVÁNÍ**, nebo **UPOZORNĚNÍ**. Lze je používat ve spojení s jinými symboly nebo piktogramy.




**⚠ UPOZORNĚNÍ:** Při použití elektrického nářadí může dojít k vymrštění cizích těles do očí, což může způsobit jejich závažné poškození. Před použitím elektrického nářadí si vždy nasadte ochranné brýle, ochranné brýle s bočními kryty nebo v případě potřeby obličejový štít. Na brýle nebo standardní ochranné brýle s bočními kryty doporučujeme použít ochrannou masku.

## BEZPEČNOSTNÍ POKYNY

Na této stránce jsou zobrazeny a popsány bezpečnostní symboly, které se mohou objevit na výrobku. Před montáží a provozem si přečtěte, seznamte se a dodržujte veškeré pokyny ke stroji.

	Bezpečnostní upozornění	Upozorňuje na možné riziko úrazu.
	Přečtěte si návod k obsluze	Z důvodu snížení rizika úrazu si musí uživatel před použitím tohoto výrobku přečíst a seznámit se s návodem k obsluze.
	Používejte ochranu sluchu a zraku	Vždy noste ochranné brýle, ochranné brýle s bočními kryty nebo obličejový štít při použití tohoto výrobku.
	Udržujte kolem stojící osoby v bezpečné vzdálenosti	Když ořezávač používáte, udržujte od ostatních osob a domácích zvířat bezpečnou vzdálenost.
	Směr otáčení čepele ořezávače	Označuje směr otáčení čepele ořezávače.
	Odmrštěné předměty	Pečlivě zkontrolujte povrch, kde budete zařízení používat, a odstraňte všechny kameny, klacky, dráty, kosti a další cizí tělesa.
	Rotující řezná čepel	Nestrkujte ruce ani nohy do blízkosti nebo pod rotující části.
	Nevystavujte ji dešti.	Nepoužívejte ani nechte venku v dešti.
	CE	Tento výrobek je v souladu s platnými směrnici ES.

CZ

	WEEE	Odpadní elektrické výrobky se nesmí likvidovat s domovním odpadem. Odevzdejte do autorizovaného recyklačního střediska.
	Hlučnost	Garantovaná hladina akustického výkonu. Emise hluku do prostředí dle direktivy Evropského společenství.
V	Voltů	Napětí
mm	Milimetr	Délka nebo velikost
cm	Centimetr	Délka nebo velikost
kg	Kilogram	Hmotnost nůžek
	Stejnoseměrný proud	Druh nebo vlastnosti proudu

## DŮLEŽITÉ BEZPEČNOSTNÍ POKYNY

**⚠ VAROVÁNÍ:** Při používání strunových sekaček je nutné vždy dodržovat základní bezpečnostní opatření pro zamezení rizika požáru, úrazu elektrickým proudem a poranění osob včetně následujícího.

**CZ**

## ČTĚTE PEČLIVĚ PŘED POUŽITÍM

### USCHOVEJTE PRO BUDOUCÍ POUŽITÍ

**⚠ NEBEZPEČÍ:** Nespoléhejte se na izolaci nářadí proti úrazu elektrickým proudem. Chcete-li snížit riziko usmrcení elektrickým proudem, nikdy stroj nepoužívejte v blízkosti žádných vodičů nebo kabelů (napájecích atd.), které mohou vést elektrinu.

**⚠ UPOZORNĚNÍ:** Při práci používejte vhodné chrániče sluchu. Za určitých podmínek a určité době používání může hluk z tohoto výrobku přispět ke ztrátě sluchu.

### ŠKOLENÍ

- Pečlivě si přečtěte tyto pokyny. Seznamte se s ovládacími prvky a správným použitím stroje.
- Osoby, které se neseznámily s těmito pokyny, nebo děti nesmí stroj používat. Místní předpisy mohou omezovat věk obsluhy.
- Nikdy neořezávejte trávnik, pokud jsou v blízkosti osoby, zejména děti, nebo domácí zvířata.

- Nezapomínejte, že je obsluha nebo uživatel zodpovědný za nehody nebo ohrožení jiných osob nebo jejich majetku.

### PŘÍPRAVA

- Během ořezávání vždy noste brýle a ochranu sluchu, pevnou obuv a dlouhé kalhoty.
- Pečlivě zkontrolujte povrch, kde budete zařízení používat, a odstraňte všechny kameny, klacky, dráty, kosti a další cizí tělesa.
- Před použitím vždy vizuálně zkontrolujte čepel, šroub čepel a řezací mechanismus, zda nejsou opotřebené nebo poškozené. Opotřebené nebo poškozené nože a šrouby vyměňujte v sadách z důvodu zachování vyvážení.

### POUŽITÍ

- Ořezávejte pouze za denního světla nebo při dobrém umělém osvětlení.
- Ve svahu vždy dbejte na pevný postoj.
- Chodte, nikdy neběhejte.
- Dbejte zvýšené opatrnosti při jízdě vzad, nebo tažení ořezávače směrem k vám.
- Před přejezděním na jiné povrchy než tráva a při transportu ořezávače do a z oblasti, která má být ořezána, se ujistěte, že se čepel zastavila.
- Nikdy nepoužívejte ořezávač s vadnými, chybějícími nebo špatně připevněnými chrániči.
- Neměňte nastavení regulátoru motoru, nebo nezvyšujte počet otáček motoru.
- Zapněte motor opatrně podle pokynů a nohy udržujte v bezpečné vzdálenosti od čepel.
- Nespouštějte motor, pokud někdo stojí před čepel.
- Nestrkejte ruce ani nohy do blízkosti nebo pod rotující části.
- Vždy vypněte motor a odpojte od akumulátoru:
  - 1) před odstraněním překážky;
  - 2) před kontrolou, čištěním nebo seřízením čepel;
  - 3) po nárazu do cizího tělesa: Zkontrolujte čepel na poškození a před zahájením provozu ořezávače proveďte opravu;
  - 4) Pokud začne ořezávač neobvykle vibrovat (ihned zkontrolujte).
- Zastavte motor vždy, když opouštíte ořezávač;
- Akumulátor nenabíjejte v dešti nebo na mokřem místě.
- Používejte pouze následující akumulátory a nabíječky:

AKUMULÁTOR	NABÍJEČKA
BA1120E, BA2240E, BA2800,	CH2100E
BA3360, BA4200	CH5500E

- Před likvidací vyjměte ze zařízení akumulátor.
- Akumulátor likvidujte bezpečným způsobem.
- Akumulátory nevhazujte do ohně. Články mohou vybuchnout. O zvláštních pokynech pro likvidaci se informujte v místních právních předpisech.
- Akumulátor neotvírejte ani nezhodnocujte. Uniklý elektrolyt je žíravý a může způsobit poškození očí nebo kůže. Při požití může být toxický.
- Při manipulacích s akumulátory dbejte, aby nedošlo ke zkratu akumulátoru vodivými materiály, jako např. prsteny, náramky nebo klíče. Akumulátor nebo vodič se mohou přehřát a způsobit popáleniny.
- Akumulátorové nářadí se nemusí zapojovat do elektrické zásuvky, proto jsou vždy v provozním stavu. Nezapomínejte na možná rizika ani v případě, že je nářadí vypnuté. Dbejte opatrnosti při údržbě.
- Nůžky nemýjte hadicí; dbejte, aby se do motoru a elektrických přípojek nedostala voda.

#### Údržba a skladování

- Řádně utahujte všechny šrouby a matice pro zajištění bezpečného provozního stavu zařízení.
- Opotřebené nebo poškozené díly vyměňte.
- Nepokoušejte se stroj opravovat, pokud nejste k tomu kompetentní.
- Používejte pouze výrobce doporučené náhradní díly a příslušenství.
- Před prováděním údržby nebo čištěním odpojte zařízení z baterie.
- Pravidelně stroj kontrolujte a udržujte. Opravu stroje svěťte pouze autorizovanému opraváři.
- Pokud se nepoužívá, skladujte stroj mimo dosah dětí.
- Pokud nastane situace, která není popsána v tomto návodu, použijte pečlivý a dobrý úsudek. O pomoc kontaktujte servisní středisko společnosti EGO.
- Uložte si tyto pokyny. Používejte je často a také k poučení dalších osob, které mohou toto nářadí používat. Pokud nářadí někomu půjčíte, půjčte mu také tento návod k obsluze, aby nedošlo k nesprávnému použití výrobků nebo případně k úrazu.

#### TYTO POKYNY USCHOVEJTE PRO BUDOUCÍ POUŽITÍ!

#### POZNÁMKA: VIZ NÁVOD PRO Pohonnou hlavu PRO DODATEČNÁ BEZPEČNOSTNÍ PRAVIDLA.

## SPECIFIKACE

Délka čepele	20 cm	
Hloubka ořezávání	Až do 75 mm	
Hmotnost nůžek	2,26 kg	
Měřená hladina akustického výkonu $L_{WA}$	92,4 dB(A) K=2,07 dB(A)	
Hladina akustického tlaku na sluch obsluhy $L_{PA}$	79,8 dB(A) K=3 dB(A)	
Zaručená úroveň akustického výkonu $L_{WA}$ (měřeno podlesměrnice 2000/14/ES)	95 dB(A)	
Vibrace $a_h$	Přední pomocná rukojeť	1,2 m/s <sup>2</sup> K=1,5 m/s <sup>2</sup>
	Zadní rukojeť	2,2 m/s <sup>2</sup> K=1,5 m/s <sup>2</sup>

- Výše uvedené parametry jsou testovány a měřeny s nástrojem vybaveným pohonnou hlavou PH1400E;
- Celková deklarovaná hodnota vibrací byla naměřena podle standardní zkušební metody a lze ji použít ke srovnání s jiným nářadím;
- Celkovou deklarovanou hodnotu vibrací lze použít také k předběžnému stanovení expozičních limitů.

**POZNÁMKA:** Emise vibrací při konkrétním použití elektrického nářadí se mohou lišit od deklarované hodnoty, při které se nářadí používá; z důvodu ochrany provozovatele by měl uživatel ve skutečných pracovních podmínkách nosit rukavice a chrániče sluchu.

CZ

## OBSAH BALENÍ

NÁZEV DÍLU	MNOŽSTVÍ
Nástavec pro ořezávač okrajů trávníků	1
Imbusový klíč	1
Multifunkční klíč	1
Závlačka	2
Návod k obsluze	1

#### Doporučená čepel

NÁZEV DÍLU	ČÍSLO MODELU
Čepel ořezávače	AEB0800

## POPIS

### POZNEJTE VÁŠ NÁSTAVEC PRO OŘEZÁVAČ (Obr. A)

1. Koncovka
2. Hřídel ořezávače
3. Chráníč čepele
4. Čepel
5. Knoflík nastavení hloubky
6. Vodící kolečko
7. Imbusový klíč
8. Multifunkční klíč
9. Vodící lišta nastavení hloubky
10. Záklopka pro sut'
11. Závlačka
12. Našroubujte pro zajištění vodící desky na svém místě
13. Vodící deska

## MONTÁŽ

**VAROVÁNÍ:** Pokud jsou některé díly poškozené, nebo chybí, nepoužívejte výrobek, dokud se díly nevymění. Použití tohoto výrobku s poškozenými nebo chybějícími díly může vést k vážnému úrazu.

**VAROVÁNÍ:** Nepokoušejte se výrobek upravovat ani vytvářet příslušenství, které se k této strunové sekačce nedoporučuje. Každá taková změna nebo úprava je nesprávná a může vést k nebezpečné situaci, která může zapříčinit vážný úraz.

**VAROVÁNÍ: Neupravujte chráníč čepele.** Chráníč čepele byl nastaven v továrně tak, aby šipka na chráníči čepele a otevřená strana směřovaly od obsluhy. Tím je zajištěno, že řízky a jiné nečistoty jsou orientovány směrem od nářadí a provozovatele.

### PŘIPOJENÍ NÁSTAVCE PRO OŘEZÁVAČ NA POHONNOU HLAVU

Tento nástavec pro ořezávač je určen pro použití s EGO 56 V lithium-iontovou pohonnou hlavou PH1400E.

Viz část „**INŠTALACE NÁSTAVCE NA POHONNOU HLAVU**“ v příručce pro obsluhu pohonné hlavy PH1400E.

## POUŽITÍ

**VAROVÁNÍ:** Dbejte, abyste se po seznámení s výrobkem nestali neopatrní. Nezapomínejte, že stačí chvíle nepozornosti a může se stát vážný úraz.

**VAROVÁNÍ:** Vždy používejte ochranu očí s bočními kryty. Spolu s chráničem sluchu. Pokud tak neučiníte, může dojít k vyvrstvení předmětu do očí, nebo případně jiným vážným úrazům.

### APLIKACE

Výrobek lze použít k následujícím účelům:

- Lemování kolem chodníků, okraje, květinové záhony a jiná podobná místa.

**POZNÁMKA:** Nářadí se smí používat pouze k vyhrazenému účelu. Jakékoliv jiné použití se považuje za nesprávné.

### Před každým použitím zkontrolujte poškození/ opotřebení dílů

Zkontrolujte strunovou hlavu, kryt, přední pomocnou rukojeť a vyměňte díly, které jsou prasklé, zdeformované, ohnuté nebo jinak poškozené.

**VAROVÁNÍ:** Před servisem, čištěním, výměnou nástavců nebo odstraněním materiálu vyjměte akumulátor z nářadí, aby nedošlo k vážnému úrazu.

### POUŽITÍ NÁSTAVCE PRO OŘEZÁVAČ S POHONNOU HLAVOU

**VAROVÁNÍ:** Pro práci s tímto nářadím se vhodně oblékněte, abyste snížili riziko úrazu. Noste volný oděv ani šperky. Používejte ochranu očí a chrániče sluchu. Noste odolné, dlouhé kalhoty, pevné boty a rukavice. Noste krátké kalhoty, sandály ani nechoďte bosí. V prašném prostředí používejte ochrannou masku nebo protiprachový respirátor.

**VAROVÁNÍ:** Odstraňte všechny překážky a pevné předměty z pracovní plochy.

Pro bezpečnější a lepší používání si dejte ramenní popruh přes rameno. Upravte ramenní popruh do pohodlné pracovní polohy.

Držte ořezávač s pravou rukou na zadní rukojeti a s levou rukou na přední pomocné rukojeti. Udržujte pevný úchop oběma rukama při provozu nářadí. Ořezávač by se měl držet v pohodlné poloze se zadní rukojetí ve výšce kyčelního kloubu (obr. B).



**VAROVÁNÍ:** Ramenní popruh je vybaven rychle vypínacím mechanismem pro nebezpečné situace. Dojde-li k nouzové situaci, okamžitě si odepněte popruh ze svého ramene bez ohledu na to, jakým způsobem je popruh připnutý.

#### Po každém použití ořezávač vyčistěte.

Viz část ÚDRŽBA pro pokyny k čištění.

#### NASTAVENÍ HLOUBKY ŘEZU

1. Zastavte motor a odstraňte akumulátor.
2. Uvolněte knoflík nastavení hloubky ve směru odemykací šipky vyznačené na knoflíku (obr. C).
3. Přesuňte vodící kolečko podél vodící lišty pro nastavení hloubky nahoru pro zvětšení hloubky řezu, nebo dolů pro zmenšení hloubky (obr. D).
4. Upravte vodící kolečko tak, aby se čepel právě dotýkala země, nebo tak, aby rozbíjela povrch půdy nejvíce 5 mm (viz obr. E), a poté ho pevně utáhněte.
5. Ve stoje a v normální pracovní poloze znovu zkontrolujte hloubku řezu a v případě potřeby ji opravte.

#### ZAPNUTÍ/VYPNUTÍ NÁSTROJE

Viz část „ZAPNUTÍ/VYPNUTÍ POHONNÉ HLAVY“ v příručce pro obsluhu pohonné hlavy PH1400E.

#### PROVOZNÍ TIPY

- Držte a vedte pohonnou hlavu tak, aby čepel byla ve svislé poloze. Použijte zaměřovací čáru pro zarovnání čepel s okrajem lůžka čepel (obr. F).
- Pracujte nejvíce při normální rychlosti chůze. V případě, že se čepel začne bořit, ořezáváte příliš rychle; zpomalte tempo.
- Vždy chodte dopředu při řezání a posunujte ořezávač dopředu. Netahejte ořezávač směrem k sobě.
- Netlačte čepel do země. Lehký kontakt čepel s okrajem chodníku, obrubníku, atd., je přijatelný a nepoškodí ořezávač.
- Nejlepších výsledků se dosáhne, když je tráva suchá. Neořezávejte v mokré půdě nebo vlhké travnaté plochy, jinak by se mohl ucpat chránič čepel, co může mít za následek nerovné okraje. V případě, že se ucpe chránič čepel, zastavte motor, vyjměte baterii a odstraňte nečistoty z chrániče čepel.

#### ÚDRŽBA

**VAROVÁNÍ:** Před kontrolou, čištěním nebo údržbou přístroje zastavte motor, počkejte, až se všechny pohyblivé díly zastaví a vyjměte baterii. Nedodržení těchto instrukcí může vést k vážnému zranění nebo poškození majetku.

**VAROVÁNÍ:** Při opravách používejte pouze originální náhradní díly. Pravidelně stroj kontrolujte a udržujte. Z důvodu bezpečnosti by měl všechny opravy provádět kvalifikovaný servisní technik.

#### CELKOVÁ ÚDRŽBA

K čištění plastových dílů nepoužívejte rozpouštědla. Většina plastů je náchylná k poškození různými typy komerčních rozpouštědel a jejich použití je může poškodit. K odstranění nečistot, prachu, oleje, maziva atd. použijte čistý hadr.

#### ČIŠTĚNÍ NÁRADÍ

- Po každém použití odstraňte měkkým kartáčkem suť, ucpanou zeminu nebo trávu na čepeli a chrániči. Olféte povrch ořezávače čistým hadrem navlhčeným ve slabém mýdlovém roztoku.
- K čištění větracích otvorů od nečistot a překážek na zadní části pouzdra použijte malý kartáč nebo proud vzduchu z malého vysavače.

**POZNÁMKA:** Na plastové pouzdro nebo rukojeť nepoužívejte žádné silné čisticí prostředky. Mohou být poškozeny některými aromatickými oleji, jako např. borovicovým nebo citronovým.

#### VÝMĚNA ČEPELE

**VAROVÁNÍ:** Nepokoušejte se narovnat nebo svařovat ohnutou nebo prasklou čepel, protože se může zlomit. Musí být vyměněna. Doporučujeme nahradit pouze za EGO ořezávací čepel, viz část „Doporučená čepel“.

**POZNÁMKA:** Vyměňte čepel, pokud její délka již nestačí k udržení potřebné světlé výšky a získání požadované hloubky řezu.

**VAROVÁNÍ:** Při údržbě čepel ořezávače si vždy chraňte ruce pevnými rukavicemi nebo zabalením břít hadrem nebo jiným materiálem.

#### Odstranění čepel

1. Zastavte motor a odstraňte akumulátor.
2. Položte ořezávač na jeho zadní stranu tak, aby čepel směřovala vzhůru.

- Použijte ochranné rukavice. Použijte úzké kleště (nejsou součástí dodávky) k odstranění závlačky z motorové hřídele (obr. G).
- Otočte čepel a vyrovnejte otvor v přírubě s otvorem v převodové skříní (obr. G).

Obr. G s popisem dílů:

G-1	Závlačka
G-2	Vnitřní příruba
G-3	Převodová skřín

- Vložte dodaný imbusový klíč do vyrovnaných otvorů jako stabilizátor. Pomocí dodaného multifunkčního klíče povolte matici **VE SMĚRU HODINOVÝCH RUČÍČEK** (Obr. H).
- Odstraňte matici, vnější přírubu, čepel a vnitřní přírubu z motorové hřídele (Obr. I). Zkontrolujte a vyměňte je, pokud jsou opotřebené.

Obr. I s popisem dílů:

I-1	Motorová hřídel	I-5	Nůž
I-2	Vnitřní příruba	I-6	Vnější příruba
I-3	Drážka na vnitřní přírubě	I-7	Matice
I-4	Vyboulení na vnitřní přírubě	I-8	Závlačka

### Instalace čepel

- Umístěte vnitřní přírubu na motorovou hřídel s vyboulením směrem ven (obr. I).
- Nainstalujte novou čepel na vnitřní přírubu tak, aby čepel byla bezpečně upevněna na svém místě (obr. J).
- Namontujte vnější přírubu a matici na hřídel a rukou utáhněte matici **PROTI SMĚRU HODINOVÝCH RUČÍČEK**.
- Postupujte podle výše uvedených kroků 4 a 5 v části „Odstranění čepel“ ke stabilizaci čepel a bezpečnému dotažení matice **PROTI SMĚRU HODINOVÝCH RUČÍČEK**.
- Vložte novou dodanou závlačku do otvoru v motorové hřídeli. Ohněte konce závlačky v opačných směrech úzkými kleštěmi (nejsou součástí dodávky) (obr. G).

### VÝMĚNA VODÍČÍHO KOLEČKA

- Zastavte motor a odstraňte akumulátor.
- Položte ořezávač na jeho zadní stranu tak, aby vodící kolečko směřovalo vzhůru.
- Uvolněte knoflík nastavení hloubky ve směru odemykací šipky vyznačené na knoflíku a vyjměte ho.
- Vyměňte pružnou podložku, plochou podložku 1, vodící kolečko, pouzdro a plochou podložku 2 ze šroubovací oji (obr. K). Zkontrolujte a vyměňte je, pokud jsou opotřebené.

- Nejprve namontujte šroubovací oj do vodící lišty pro nastavení hloubky, potom připojte plochou podložku 2, pouzdro a nové kolečko, dále připojte plochou podložku 1, pružnou podložku a knoflík nastavení hloubky na šroubovací oj v pořadí znázorněném na obr. K.

Obr. K s popisem dílů:

K-1	Knoflík nastavení hloubky	K-5	Pouzdro
K-2	Pružná podložka	K-6	Plochá podložka 2
K-3	Plochá podložka 1	K-7	Šroubovací oj
K-4	Vodící kolečko	K-8	Vodící lišta nastavení hloubky

**POZNÁMKA:** Vodící kolečko by mělo být namontováno s plochými žebry směrem dovnitř (obr. L).

Obr. L s popisem dílů:

L-1	Šrouby	L-3	Záklapka pro suť
L-2	Ploché žebro	L-4	Upevňovací deska

- Zajistěte knoflík nastavení hloubky.

### VÝMĚNA ZÁKLAPKY PRO SUŤ (Obr. L)

- Zastavte motor a odstraňte akumulátor.
- Použijte dodaný imbusový klíč pro uvolnění dvou šroubů.
- Odstraňte šrouby, upevňovací desku a opotřebenou záklapku pro suť.
- Namontujte novou záklapku pro suť a zajistěte ji s upevňovací deskou a dvěma šrouby.

### KONTROLA A VÝMĚNA OCHRANNÉHO KRYTU PROTI OPOTŘEBENÍ/VODÍČÍ DESKY (Obr. M)

Před spuštěním nářadí zkontrolujte na poškození ochranný kryt proti opotřebení a vodící desku. Ochranný kryt proti opotřebení musí být vyměněn, jakmile je viditelná převodovka.

**POZNÁMKA:** Převodovka se může vážně poškodit, pokud nevyměníte ochranný kryt proti opotřebení, když je převodovka viditelná.

- Zastavte motor a odstraňte akumulátor.
- Použijte ochranné rukavice. Otočte podle potřeby čepel pro odkrytí dvou šroubů.
- Použijte dodaný imbusový klíč pro uvolnění dvou šroubů a odstraňte je.

**POZNÁMKA:** Pokud stačí vyměnit vodící desku, uvolněte a odstraňte jen šroub 1.

- Vyměňte deformovaný nebo opotřebený ochranný kryt proti opotřebení/vodící desku.

- Namontujte nový ochranný kryt proti opotřebení a vodičí desku na převodovku a zajistěte pomocí dvou šroubů.

Obr. M s popisem dílů:

M-1	Šroub 1	M-4	Ochranný kryt proti opotřebení
M-2	Vodičí deska	M-5	Montážní otvory
M-3	Šroub 2	M-6	Převodová skříň

### ODSTRANĚNÍ VODIČÍ DESKY

Pokud máte zkušenosti s tímto typem ořezávače, nebo pokud zjistíte, že vodičí deska je překážkou při ořezávání, můžete odstranit vodičí desku.

- Uvolněte a odstraňte šroub 1.
- Odstraňte vodičí desku.
- Vložte zpátky a utáhněte šroub 1.

### MAZÁNÍ PŘEVODOVKY

Převody v převodové skříni se musí pravidelně mazat převodovkovým tukem. Zkontrolujte hladinu převodového maziva v převodovce přibližně každých 50 hodin provozu odstraněním těsnícího šroubu na boku skříňe.

Pokud na bocích převodovky není vidět žádný tuk, postupujte podle pokynů pro naplnění převodovým mazivem až do 3/4 kapacity.

Nezaplněte zcela převody.

- Umístěte ořezávač do svislé polohy tak, aby těsnící šroub směřoval nahoru (obr. N).
- Pomocí dodaného multifunkčního klíče povolte a odstraňte těsnící šroub. Použijte mazací stříkačku (není součástí dodávky) pro zavedení maziva do otvoru pro šroub; nepřekročte 3/4 kapacity.
- Po naplnění utáhněte těsnící šroub.

### SKLADOVÁNÍ NÁŘADÍ

- Vyjměte akumulátor z ořezávače.
- Nářadí před uskladněním řádně vyčistěte.
- Je-li nástavec pro ořezávač odpojen od pohonné hlavy a skladován odděleně, namontujte koncovku na hřídel nástavce, aby se nečistoty nedostaly do spojky.
- Nářadí skladujte na suchém, dobře větraném, uzamčeném nebo vyvýšeném místě mimo dosah dětí. Nářadí neskladujte v blízkosti hnojiv, benzínu nebo jiných chemických látek.

### Ochrana životního prostředí



Elektrické zařízení, nabíječku a baterie/nabíjecí baterie nevhazujte do domovního odpadu!

Podle směrnice Evropského parlamentu a Rady 2012/19/EU se musí odpadní elektrická a elektronická zařízení a podle směrnice 2006/66/ES vadné nebo použité akumulátory/baterie sbírat odděleně.

Pokud se elektrická zařízení likvidují na zavážkách nebo skládkách, mohou do podzemní vody prosáknout nebezpečné látky, dostat se do potravního řetězce a poškodit tak vaše zdraví a zdravotní stav.

### ES PROHLÁŠENÍ O SHODĚ



My, společnost EGO EUROPE GMBH

Wahlwiesenstrasse 1, D-71711 Steinheim an der Murr Deutschland

Prohlašujeme, že výrobek **56 V lithium-iontový akumulátorový nástavec pro ořezávač EA0800** vybavený pohonnou hlavou PH1400E

splňuje základní požadavky na ochranu zdraví a bezpečnost podle těchto směrnic:

2006/42/EC, 2014/30/EU, 2011/65/EU, 2000/14/EC

Normy a technické specifikace vychází z:

EN 60745-1, ISO 11789-1, EN 55014-1, EN 55014-2

Měřená hladina akustického výkonu: 92,4 dB(A).

Zaručená úroveň akustického výkonu: 95 dB(A).

CZ

Peter Melrose  
Výkonný ředitel EGO  
Europe GmbH

Dong Jianxun  
Manažer kvality společnosti  
Chervon

\* (Pověřený zástupce společnosti CHERVON odpovědný za technickou dokumentaci)

01/12/2016

## ODSTRAŇOVÁNÍ PROBLÉMŮ

PROBLÉM	PŘÍČINA	ŘEŠENÍ
Motor se nespustí.	<ul style="list-style-type: none"> <li>■ Akumulátor není připojen k pohonné hlavě.</li> <li>■ Bez elektrického kontaktu mezi pohonnou hlavou a akumulátorem.</li> <li>■ Akumulátor je vybitý.</li> <li>■ Tlačítko pojistky a spoušť nejsou stisknuté současně.</li> </ul>	<ul style="list-style-type: none"> <li>■ Připojte akumulátor na pohonnou hlavou.</li> <li>■ Vyměňte baterii, zkontrolujte kontakty a vložte akumulátor, dokud nezapadne na své místo.</li> <li>■ Nabijte akumulátor pomocí nabíječek EGO, které jsou uvedeny v tomto návodu k obsluze.</li> <li>■ Stlačte páku pojistky, držte ji a stisknutím spouště zapnete strunovou sekačku.</li> </ul>
Pohonná hlava se zastaví během provozu.	<ul style="list-style-type: none"> <li>■ Motor je přetížen.</li> <li>■ Akumulátor nebo pohonná hlava jsou příliš horké.</li> <li>■ Akumulátor je odpojený od nářadí.</li> <li>■ Akumulátor je vybitý.</li> </ul>	<ul style="list-style-type: none"> <li>■ Motor se zotaví po odstranění zátěže. Pro kontinuální práci snižte zatížení pohonné hlavy.</li> <li>■ Nechejte akumulátor nebo pohonnou hlavu zchladnout, dokud teplota neklesne pod 67 °C.</li> <li>■ Znovu nainstalujte akumulátor.</li> <li>■ Nabijte akumulátor pomocí nabíječek EGO, které jsou uvedeny v tomto návodu k obsluze.</li> </ul>
Nerovnoměrná hrana	<ul style="list-style-type: none"> <li>■ Ořezávána tráva nebo půda jsou příliš mokré.</li> <li>■ Chránič čepele je ucpaný.</li> </ul>	<ul style="list-style-type: none"> <li>■ Neorezávejte v mokré půdě nebo mokré trávě.</li> <li>■ Zastavte motor, vyměňte baterii a odstraňte nečistoty z chrániče čepele.</li> </ul>

CZ

## ZÁRUKA

### ZÁRUKA SPOLEČNOSTI EGO

Úplné záruční podmínky společnosti EGO naleznete na webové stránce [egopowerplus.com](http://egopowerplus.com).

## PREČÍTAJTE SI VŠETKY POKYNY!



**PREČÍTAJTE SI NÁVOD NA OBSLUHU.**

**⚠ Potenciálne riziká!** Ľudia s elektronickými zariadeniami, ako sú napríklad kardiostimulátory, sa musia pred použitím tohto výrobku poradiť so svojím lekárom. Použitie elektrických zariadení v tesnej blízkosti kardiostimulátora by mohlo spôsobiť rušenie alebo zlyhanie kardiostimulátora.

**⚠ VAROVANIE:** Pre zaistenie bezpečnosti a spoľahlivosti je nevyhnutné, aby všetky opravy a výmeny vykonával len kvalifikovaný servisný technik.

## BEZPEČNOSTNÉ SYMBOLY

Účelom bezpečnostných symbolov je upozorniť vás na možné nebezpečenstvá. Venujte príslušnú pozornosť a pochopte bezpečnostné symboly a ich vysvetlenia. Varovné symboly, samy o sebe, nedokážu eliminovať nebezpečenstvo. Pokyny a varovania, ktoré obsahujú, nie sú náhradou za vhodné opatrenia na prevenciu úrazov.

**⚠ VAROVANIE:** Pred použitím tohto nástroja si prečítajte a pochopte všetky bezpečnostné pokyny v tomto návode na obsluhu, vrátane všetkých bezpečnostných výstražných symbolov, ako sú „**NEBEZPEČENSTVO**“, „**VAROVANIE**“ a „**UPOZORNENIE**“. Nedodržanie nižšie uvedených pokynov môže mať za následok úraz elektrickým prúdom, požiar a / alebo vážne zranenie.

## VÝZNAM SYMBOLU

**⚠ BEZPEČNOSTNÝ VÝSTRAŽNÝ SYMBOL:** Označuje **NEBEZPEČENSTVO**, **VAROVANIE**, alebo **UPOZORNENIE**. Môže byť použitý v spojení s inými symbolmi alebo piktogramami.





**⚠ VAROVANIE:** Prevádzka akéhokoľvek elektrického náradia môže viesť k vymršteniu cudzích predmetov do vašich očí, čo môže spôsobiť vážne poškodenie zraku. Skôr, ako začnete používať elektrické náradie, si vždy nasadzte ochranné okuliare alebo ochranné okuliare s postrannými krytmi a prípadne celotvárový štít. Odporúčame použiť bezpečnostnú masku Wide Vision cez okuliare alebo štandardné bezpečnostné okuliare s postrannými krytmi.

## BEZPEČNOSTNÉ POKYNY

Táto strana zobrazuje a popisuje bezpečnostné symboly, ktoré sa objavujú na tomto výrobku. Pred pokusom o zostavenie a prevádzkovanie si prečítajte, pochopte a dodržiavajte všetky pokyny na stroji.

	Bezpečnostné upozornenie	Upozorňuje na potenciálne nebezpečenstvo úrazu.
	Prečítajte si návod na obsluhu.	Ak chcete znížiť riziko zranenia, používateľ musí pred použitím tohto výrobku prečítať a pochopiť návod na obsluhu.
	Používajte ochranu sluchu a zraku	Pri práci s týmto výrobkom vždy noste ochranné okuliare alebo ochranné okuliare s postrannými krytmi a celotvárový štít.
	Udržujte okolostojace osoby v bezpečnej vzdialenosti	Počas používania orezávača udržiavajte od ostatných osôb a domácich zvierat bezpečnú vzdialenosť.
	Smer otáčania čepele orezávača	Označuje smer otáčania čepele orezávača.
	Vymrštené predmety	Dôkladne skontrolujte povrch, kde budete zariadenie používať, a odstráňte všetky kamene, palice, dróty, kosti a iné cudzie predmety.
	Rotujúca rezná čepeľ	Nedávajte ruky alebo nohy do blízkosti rotujúcich častí alebo pod nich.
	Nevystavujte dažďu	Nepoužívajte v daždi, alebo nenechajte vonku, keď prší.

**SK**

	CE	Tento výrobok je v súlade s platnými smericami ES.
	WEEE	Nepotrebné elektrické výrobky sa nesmú likvidovať spolu s domovým odpadom. Odovzdajte do autorizovaného recyklačného strediska.
	Hlučnosť	Garantovaná hladina akustického výkonu. Emisie hluku do prostredia podľa smernice Európskeho spoločenstva.
V	Volt	Napätie
mm	Milimeter	Dĺžka alebo veľkosť
cm	Centimeter	Dĺžka alebo veľkosť
kg	Kilogram	Hmotnosť
	Jednosmerný prúd	Typ alebo charakteristika prúdu

## DÔLEŽITÉ BEZPEČNOSTNÉ POKYNY

**VAROVANIE:** Pri používaní strunových kosačiek sa musia vždy dodržiavať základné bezpečnostné opatrenia pre zníženie rizika vzniku požiaru, úrazu elektrickým prúdom alebo poranenia osôb, vrátane nasledujúcich:

## PRED POUŽITÍM SI POZORNE PREČÍTAJTE

### ODLOŽTE SI PRE BUDÚCU POTREBU

**NEBEZPEČENSTVO:** Nespoliehajte sa izoláciu nástroja, ktorá má chrániť pred úrazom elektrickým prúdom. Ak chcete znížiť riziko úrazu elektrickým prúdom, nikdy nepoužívajte stroj v blízkosti akýchkoľvek drôtov alebo káblov (napájanie, atď.), ktoré môžu viesť elektrický prúd.

**UPOZORNENIE:** Počas používania používajte vhodné osobné prostriedky na ochranu sluchu. Za určitých podmienok a dlhšom použití môže hluk z tohto výrobku prispieť k poškodeniu sluchu.

## ŠKOLENIE

- Prečítajte si pozorne tieto pokyny. Zoznámte sa s ovládacími prvkami a správnym používaním stroja.
- Nikdy nedovoľte ľuďom, ktorí nie sú oboznámení s týmito pokynmi, alebo deťom používať stroj. Miestne predpisy môžu obmedzovať vek obsluhy.
- Nikdy neorezávajúce trávnik, ak sú v blízkosti osoby, najmä deti, alebo domáce zvieratá.
- Majte na pamäti, že obsluha alebo používateľ nesie plnú zodpovednosť za nehody a nepredvídané udalosti voči iným osobám a ich majetku.

## PRÍPRAVA

- Počas orezávania vždy noste okuliare a ochranu sluchu, pevnú obuv a dlhé nohavice.
- Dôkladne skontrolujte povrch, kde budete zariadenie používať, a odstráňte všetky kamene, palice, drôty, kosti a iné cudzie predmety.
- Pred použitím vždy vizuálne skontrolujte čepele, skrutku čepele a rezací mechanizmus na to, či nie sú opotrebované alebo poškodené. Vymerajte opotrebované alebo poškodené čepele a skrutky naraz, aby ste zachovali vyváženie.

## POUŽÍVANIE

- Orezávajte len za denného svetla alebo pri dobrom umelom osvetlení.
- Vždy sa uistite o vašom postoji na svahoch.
- Kráčajte, nikdy nebežte.
- Buďte mimoriadne opatrní pri cúvaní, alebo ťahaní orezávača smerom k sebe.
- Pred prechádzaním na iné povrchy, ako je tráva a pri prenose orezávače do a z oblasti, ktorá má byť orezaná, sa uistite, že sa čepeľ zastavila.
- Nikdy nepoužívajte orezávač s chybnými, chýbajúcimi alebo nesprávne pripevnenými chráničmi.
- Nemeňte nastavenie regulátora motora, alebo nezvyšujte počet otáčok motora.
- Zapnite motor opatrne podľa pokynov a nohy udržujte v bezpečnej vzdialenosti od čepele.
- Nespúšťajte motor, ak niekto stojí pred čepeľou.
- Nedávajte ruky alebo nohy do blízkosti rotujúcich častí alebo pod nich.
- Vždy vypnite motor a odpojte od akumulátora:
  - 1) pred odstránením prekážky;
  - 2) pred kontrolou, čistením alebo nastavením čepele;
  - 3) po náraze na cudzí predmet: Skontrolujte čepele na poškodenie a pred zahájením používania orezávača urobte opravy;

4) ak začne ořezávač neobvykle vibrovať (ihneď skontrolujte).

- Zastavte motor vždy, keď opúšťate ořezávač.
- Nedobíjajte akumulátor v daždi alebo vo vlhkom prostredí.
- Používajte iba s nižšie uvedenými akumulátormi a nabíjačkami:

BATÉRIA	NABÍJAČKA
BA1120E, BA2240E, BA2800,	CH2100E
BA3360, BA4200	CH5500E

- Pred likvidáciou musí byť akumulátor odstránený zo spotrebiča.
- Batérie likvidujte bezpečným spôsobom.
- Batérie nevyhadzujte do ohňa. Članky môžu explodovať. Pozrite si miestne vyhlášky so špeciálnymi pokynmi na likvidáciu.
- Neotvárajte alebo nepoškodzuje batérie. Uvoľnený elektrolyt je žieravina a môže spôsobiť poškodenie očí alebo kože. Môže byť toxická pri požití.
- Pri manipulácii s batériami buďte opatrní, aby nedošlo ku skratovaniu batérie vodivými materiálmi, ako sú prstene, náramky a kľúče. Batérie alebo vodiče sa môžu prehriať a spôsobiť popálenie.
- Nástroje na batérie nemusia byť zapojené do elektrickej zásuvky; preto sú vždy v prevádzkovom stave. Buďte si vedomí možných rizík, aj keď sa nástroj nepoužíva. Buďte opatrní pri vykonávaní údržby alebo servisu.
- Neumývajte s hadicou; zabráňte tomu, aby sa voda dostala do motora a elektrických prípojkok.

#### Údržba a skladovanie

- Udržujte všetky matice a skrutky utiahnuté, aby bol prístroj v bezpečnom prevádzkovom stave.
- Vymeňte opotrebované alebo poškodené diely.
- Nepokúšajte sa stroj opravovať, ak nie ste na to kompetentní.
- Používajte iba výrobcom odporúčané náhradné diely a príslušenstvo.
- Pred robením údržby alebo čistením odpojte zariadenie od batérie.
- Pravidelne kontrolujte a udržiavajte stroj. Nechajte stroj opraviť len u autorizovaného odborníka.
- Keď stroj nepoužívate, uskladnite ho mimo dosahu detí.
- Ak sa vyskytnú situácie, ktoré nie sú zahrnuté v tomto návode, dávajte pozor a použite zdravý úsudok. Obráťte sa na servisné stredisko EGO pre pomoc.

- Odložte si tieto pokyny. Používajte ich často a používajte ich tiež na poučenie ostatných, ktorí môžu tento nástroj používať. Ak požičiate tento nástroj niekomu inému, požičajte mu aj tieto pokyny, aby sa zabránilo zneužitiu výrobku a prípadným zraneniam.

#### ODLOŽTE SI TIETO POKYNY!

**POZNÁMKA: POZRITE SI NÁVOD PRE POHONNÚ HLAVU PRE DODATOČNE BEZPEČNOSTNÉ PRAVIDLÁ.**

#### TECHNICKÉ ÚDAJE

Dĺžka čepele	20 cm	
Hĺbka ořezávania	Až do 75 mm	
Hmotnosť	2,26 kg	
Hladina akustického výkonu $L_{WA}$	92,4 dB(A) K=2,07 dB(A)	
Hladina akustického tlaku pri uchu obsluhy $L_{PA}$	79,8 dB(A) K=3 dB(A)	
Garantovaná hladina akustického výkonu $L_{WA}$ (meraná podľa 2000/14/EC)	95 dB(A)	
Vibrácie $a_{hv}$	Predná pomocná rúkovať	1,2 m/s <sup>2</sup> K=1,5 m/s <sup>2</sup>
	Zadná rúkovať	2,2 m/s <sup>2</sup> K=1,5 m/s <sup>2</sup>

- Vyššie uvedené parametre sú testované a merané s nástrojom vybaveným pohonnou hlavou PH1400E;
- Uvádzaná celková hodnota vibrácií bola meraná v súlade so štandardnou skúšobnou metódou a môže byť použitá na porovnanie jedného zariadenia s iným;
- Uvádzaná celková hodnota vibrácie sa môže použiť aj na predbežný odhad expozície.

**POZNÁMKA:** Emisia vibrácií pri skutočnom používaní náradia sa môže odlišovať od deklarovanej hodnoty, pri akej sa nástroj používa; Za účelom ochrany obsluhy má používateľ v skutočných podmienkach použitia nosiť rukavice a ochranu sluchu.

**SK**

## OBSAH BALENIA

NÁZOV DIELU	MNOŽSTVO
Nástavec pre orezávač okrajov trávnik	1
Imbusový kľúč	1
Multifunkčný kľúč	1
Závlačka	2
Návod na obsluhu	1

### Odporúčaná čepeľ

NÁZOV DIELU	ČÍSLO MODELU
Čepeľ orezávača	AEB0800

## POPIS

### POZNAJTE VÁŠ NÁSTAVEC PRE OREZÁVAČ (Obr. A)

- Koncovka
- Hriadeľ orezávača
- Chránič čepele
- Čepeľ
- Gombík nastavenia hĺbky
- Vodiace koliesko
- Imbusový kľúč
- Multifunkčný kľúč
- Vodiaca lišta nastavenia hĺbky
- Záves pre sutinu
- Závlačka
- Naskrutkujte pre zabezpečenie vodiacej dosky na mieste
- Vodiaca doska

## ZOSTAVA

**VAROVANIE:** Ak akýkoľvek diel chýba, alebo je poškodený, nepoužívajte tento výrobok, kým nie sú vymenené diely. Ak používate tento výrobok s poškodenými alebo chýbajúcimi časťami, môže dôjsť k vážnemu zraneniu.

**VAROVANIE:** Nepokúšajte sa upravovať tento výrobok alebo vytvoriť príslušenstvo, ktoré nie je odporúčané pre použitie s touto strunovou kosačkou. Každá takáto zmena alebo úprava je zneužitím a môže viesť k nebezpečnému stavu spôsobujúcemu vážne poranenie.

**VAROVANIE: Neupravujte chránič čepele.** Chránič čepele bol nastavený v továrni tak, aby šípka na chrániči čepele a otvorená strana smerovali od obsluhy. Tým sa zabezpečí, že odrezky a iné nečistoty sú orientované smerom od náradia a používateľa.

### PRIPOJENIE NÁSTAVCA PRE OREZÁVAČ NA POHONNÚ HLAVU

Tento nástavec pre orezávač je určený na použitie s EGO 56 V lítium-iónovou pohonnou hlavou PH1400E.

Pozrite si časť „**INŠTALÁCIA NÁSTAVCA NA POHONNÚ HLAVU**“ v návode na obsluhu pohonnej hlavy PH1400E.

## OBSLUHA

**VAROVANIE:** Nedovoľte, aby ste sa po zoznamení s týmto výrobkom stali neopatrnými. Zapamätajte si, že zlomok sekundy neopatrnosti postačuje na spôsobenie vážneho poranenia.

**VAROVANIE:** Vždy používajte ochranu zraku s bočnými ochrannými krytmi. Spolu s ochranou sluchu. Ak tak neurobíte, môže dôjsť k vymršteniu predmetov do očí a iným možným vážnym zraneniam.

### APLIKÁCIE

Tento výrobok môžete použiť na nižšie uvedené účely:

- Lemovanie okolo chodníkov, okraje, kvetinové záhony a iné podobné miesta.

**POZNÁMKA:** Nástroj sa musí používať len na predpísané účely. Každé iné použitie sa považuje za prípad zneužitia.

### Pred každým použitím skontrolujte, či nie sú poškodené / opotrebované diely

Skontrolujte strunovú hlavu, chránič a prednú pomocnú rukoväť a diely, ktoré sú prasknuté, zdeformované, ohnuté, alebo inak poškodené.

**VAROVANIE:** Aby nedošlo k vážnemu zraneniu, tak pred vykonávaním údržby, čistením, výmenou príslušenstva alebo odstraňovaním materiálu z prístroja vyberte akumulátor z náradia.



## POUŽITIE NÁSTAVCA PRE OREZÁVAČ S POHONNOU HLAVOU

**VAROVANIE:** Oblečte sa vhodne pri práci s týmto náradím, aby sa znížilo riziko poranenia. Nenoste šperky alebo voľný odev. Používajte ochranu očí a sluchu. Oblečte si odolné, dlhé nohavice, vysoké topánky a rukavice. Nenoste krátke nohavice, sandále alebo nebuďte naboso. Používajte masku alebo masku proti prachu v prašnom prostredí.

**VAROVANIE:** Odstráňte všetky prekážky a pevné predmety z pracovnej plochy.

Pre bezpečnejšie a lepšie používanie si dajte ramenný popruh cez rameno. Upravte ramenný popruh do pohodlnej pracovnej polohy.

Držte orezávač s pravou rukou na zadnej rukoväti a s ľavou rukou na prednej pomocnej rukoväti. Udržujte pevný úchop obomi rukami pri používaní nadradia. Orezávač by sa mal držať v pohodlnej polohe so zadnou rukoväťou vo výške bedrového kľbu (obr. B).

**VAROVANIE:** Ramenný popruh má takisto rýchlovyvinací mechanizmus pre nebezpečné situácie. Ak dôjde k núdzovej situácii, ihneď si popruh odopnite zo svojho ramena bez ohľadu na to, akým spôsobom je popruh pripnutý.

### Po každom použití orezávač vyčistite.

Pozrite si časť ÚDRŽBA pre pokyny na čistenie.

### NASTAVENIE HLĚBKY REZU

1. Zastavte motor a vyberte akumulátor.
2. Uvoľnite gombík nastavenia hĺbky v smere odomykacej šípky vyznačenej na gombíku (obr. C).
3. Presuňte vodiace koliesko pozdĺž vodiacej lišty pre nastavenie hĺbky hore pre zväčšenie hĺbky rezu, alebo dole pre zmenšenie hĺbky (obr. D).
4. Upravte vodiace koliesko tak, aby sa čepeľ práve dotýkala zeme, alebo tak, aby rozbíjala povrch pôdy najviac 5 mm (obr. E), a potom ho pevne dotiahnite.
5. V stojí a v normálnej pracovnej polohe znovu skontrolujte hĺbku rezu a v prípade potreby ju opravte.

### ZAPNUTIE/VYPNUTIE NÁSTROJA

Pozrite si časť „ZAPNUTIE/VYPNUTIE POHONNEJ HLAVY“ v návode na obsluhu pohonnej hlavy PH1400E.

### PREVÁDZKOVÉ RADY

- Držte a vedte pohonnú hlavu tak, aby čepeľ bola vo zvislej polohe. Použite zameriavaciu čiaru na zarovnanie čepele s okrajom lôžka čepele (obr. F).

- Pracujte najviac pri normálnej rýchlosti chôdze. V prípade, že sa čepeľ začne zabárať, orezávate príliš rýchlo; spomalte tempo.
- Vždy chodte dopredu pri rezaní a posúvajte orezávač dopredu. Neťahajte orezávač smerom k sebe.
- Netlačte čepeľ do zeme. Ľahký kontakt čepele s okrajom chodníka, obrubníka, atď. je prijateľný a nepoškodí orezávač.
- Najlepšie výsledky sa dosiahnu, ak je tráva suchá. Neorezávajte v mokrej pôde alebo vlhké trávnaté plochy, inak by sa mohol upchať chránič čepele, čo môže mať za následok nerovné okraje. V prípade, že sa upchá chránič čepele, zastavte motor, vyberte akumulátor a odstráňte nečistoty z chrániča čepele.

## ÚDRŽBA

**VAROVANIE:** Pred kontrolou, čistením alebo údržbou prístroja zastavte motor, počkajte, kým sa všetky pohyblivé diely zastavia a vyberte akumulátor. Nedodržanie týchto pokynov môže viesť k vážnemu zraneniu alebo poškodeniu majetku.

**VAROVANIE:** Pri servise používajte iba identické náhradné diely. Pravidelne kontrolujte a udržiavajte stroj. Pre zaistenie bezpečnosti a spoľahlivosti je nevyhnutné, aby všetky opravy vykonával len kvalifikovaný servisný technik.

### CELKOVÁ ÚDRŽBA

Na čistenie plastových dielov nepoužívajte rozpúšťadlá. Väčšina plastov je náchylná na poškodenie z rôznych typov komerčných rozpúšťadiel a môžu sa poškodiť, ak sa použijú. Použite čisté handry na odstránenie nečistôt, prachu, oleja, maziva, atď.

### ČISTENIE PRÍSTROJA

- Po každom použití odstráňte mäkkou kefou sutinu, upchanú zeminu alebo trávu na čepeľi a chrániči. Utrite povrch orezávača čistou handrou navlhčenou v slabom mydlovom roztoku.
- Použite malú kefu alebo vzduch z malého vysávača s kefkou na vyčistenie vetracích otvorov od nečistôt na zadnom kryte.

**POZNÁMKA:** Nepoužívajte žiadne silné čistiace prostriedky na plastovom kryte alebo rukoväti. Môžu byť poškodené určitými aromatickými olejmi, ako je borovica a citrón.

## VÝMENA ČEPELE

**VAROVANIE:** Nepokúšajte sa narovnať alebo zvrátať ohnutú alebo prasknutú čepeľ, pretože sa môže zlomiť. Musí byť vymenená. Odporúčame vymeniť len za EGO orezávaciu čepeľ, pozrite si časť „**Odporúčaná čepeľ**“.

**POZNÁMKA:** Vymeňte čepeľ, ak jej dĺžka už nestačí na udržanie potrebnej svetlej výšky a získanie požadovanej hĺbky rezu.

**VAROVANIE:** Pri údržbe čepele orezávača si vždy chráňte ruky pevnými rukavicami alebo zabalením ostria do handry alebo iného materiálu.

### Odstránenie čepele

1. Zastavte motor a vyberte akumulátor.
2. Položte orezávač na jeho zadnú stranu tak, aby čepeľ smerovala hore.
3. Používajte ochranné rukavice. Použite úzke kliešte (nie sú súčasťou dodávky) na odstránenie závlačky z motorového hriadeľa (obr. G).
4. Otočte čepeľ a vyrovnajte otvor v prírube s otvorom v prevodovej skrini (obr. G).

Obr. G s popisom dielov:

G-1	Závlačka
G-2	Vnútorá príruha
G-3	Prevodová skriňa

5. Vložte dodaný imbusový kľúč do zarovnaných otvorov ako stabilizátor. Pomocou dodaného multifunkčného kľúča povoľte maticu **V SMERE HODINOVÝCH RUČÍČIEK** (Obr. H).
6. Odstráňte maticu, vonkajšiu prírubu, čepeľ a vnútornú prírubu z motorového hriadeľa (Obr. I). Skontrolujte a vymeňte ich, ak sú opotrebované.

Obr. I s popisom dielov:

I-1	Motorový hriadeľ	I-5	Nôž
I-2	Vnútorá príruha	I-6	Vonkajšia príruha
I-3	Drážka na vnútornej prírube	I-7	Matica
I-4	Výklenok na vnútornej prírube	I-8	Závlačka

### Inštalácia čepele

1. Umiestnite vnútornú prírubu na motorový hriadeľ s výklenkom smerom von (obr. I).
2. Nainštalujte novú čepeľ na vnútornú prírubu tak, aby čepeľ bola bezpečne upevnená na svojom mieste (obr. J).

3. Namontujte vonkajšiu prírubu a maticu na hriadeľ a rukou utiahnite maticu **PROTI SMERU HODINOVÝCH RUČÍČIEK**.
4. Postupujte podľa vyššie uvedených krokov 4 a 5 v časti „Odstránenie čepele“ na stabilizáciu čepele a pevne dotiahnite maticu **PROTI SMERU HODINOVÝCH RUČÍČIEK**.
5. Vložte novú dodanú závlačku do otvoru v motorovom hriadeľi. Ohnite konce závlačky do opačných smerov úzkymi kliešťami (nie sú súčasťou dodávky) (obr. G).

### VÝMENA VODIACEHO KOLIESKA

1. Zastavte motor a vyberte akumulátor.
2. Položte orezávač na jeho zadnú stranu tak, aby vodiace koliesko smerovalo hore.
3. Uvoľnite gombík nastavenia hĺbky v smere odomykacej šípky vyznačenej na gombíku a vyberte ho.
4. Vyberte pružnú podložku, plochú podložku 1, vodiace koliesko, puzdro a plochú podložku 2 zo skrutkovacej tyče (obr. K). Skontrolujte a vymeňte ich, ak sú opotrebované.
5. Najprv namontujte skrutkovaciu tyč do vodiacej lišty pre nastavenie hĺbky, potom pripojte plochú podložku 2, puzdro a nové koliesko, ďalej pripojte plochú podložku 1, pružnú podložku a gombík nastavenia hĺbky na skrutkovaciu tyč v poradí znázornenom na obr. K.

Obr. K s popisom dielov:

K-1	Gombík nastavenia hĺbky	K-5	Puzdro
K-2	Pružná podložka	K-6	Plochá podložka 2
K-3	Plochá podložka 1	K-7	Skrutkovacia tyč
K-4	Vodiace koliesko	K-8	Vodiaca lišta nastavenia hĺbky

**POZNÁMKA:** Vodiace koliesko by malo byť namontované s plochými rebrami smerom dovnútra (obr. L).

Obr. L a popisom dielov:

L-1	Skrutky	L-3	Záves pre sutinu
L-2	Ploché rebro	L-4	Upevňovacia doska

6. Zaisťte gombík nastavenia hĺbky.

### VÝMENA ZÁVESU PRE SUTINU (Obr. L)

1. Zastavte motor a vyberte akumulátor.
2. Použite dodaný imbusový kľúč na uvoľnenie dvoch skrutiek.
3. Odstráňte skrutky, upevňovaciu dosku a opotrebovaný záves pre sutinu.

- Namontujte nový záves pre sutinu a zaistite ho s upevňovacou doskou a dvomi skrutkami.

#### KONTROLA A VÝMENA OCHRANNÉHO KRYTU PROTI OPOTREBOVANIU/VODIACEJ DOSKY (Obr. M)

Pred spustením náradia skontrolujte na poškodenie ochranný kryt proti opotrebovaniu a vodiacu dosku. Ochranný kryt proti opotrebovaniu musí byť vymenený, keď je viditeľná prevodovka.

**POZNÁMKA:** Prevodovka sa môže vážne poškodiť, ak nevymeníte ochranný kryt proti opotrebovaniu, keď je prevodovka viditeľná.

- Zastavte motor a vyberte akumulátor.
- Používajte ochranné rukavice. Otočte podľa potreby čepeľ na odkrytie dvoch skrutiek.
- Použite dodaný imbusový kľúč na uvoľnenie dvoch skrutiek a odstráňte ich.

**POZNÁMKA:** Ak stačí vymeniť vodiacu dosku, uvoľnite a odstráňte len skrutku 1.

- Vymeňte deformovaný alebo opotrebovaný ochranný kryt proti opotrebovaniu/vodiacu dosku.
- Namontujte nový ochranný kryt proti opotrebovaniu a vodiacu dosku na prevodovku a zaistite pomocou dvoch skrutiek.

Obr. M s popisom dielov:

M-1	Skrutka 1	M-4	Ochranný kryt proti opotrebovaniu
M-2	Vodiaca doska	M-5	Montážne otvory
M-3	Skrutka 2	M-6	Prevodová skriňa

#### ODSTRÁNENIE VODIACEJ DOSKY

Ak máte skúsenosti s týmto typom orezávača, alebo ak zistíte, že vodiaca doska je prekážkou pri orezávaní, môžete odstrániť vodiacu dosku.

- Uvoľnite a odstráňte skrutku 1.
- Odstráňte vodiacu dosku.
- Vložte naspať a utiahnete skrutku 1.

#### MAZANIE PREVODOVKY

Prevody v prevodovej skríni sa musia pravidelne mazať prevodovým mazivom. Skontrolujte hladinu prevodového maziva v prevodovke približne každých 50 prevádzkových hodín odstránením tesniacej skrutky na boku skrine.

Ak na stranách prevodov nie je vidno žiadne mazivo, postupujte podľa pokynov pre naplnenie prevodovým mazivom až do 3/4 kapacity.

Nezaplníte celkom prevody.

- Umiestnite orezávač do zvislej polohy tak, aby tesniaca skrutka smerovala hore (obr. N).
- Pomocou dodaného multifunkčného kľúča povolte a odstráňte tesniacu skrutku. Použite mazacu striekačku (nie je súčasťou dodávky) na zavedenie maziva do otvoru pre skrutku; neprekročte 3/4 kapacity.
- Po naplnení utiahnete tesniacu skrutku.

#### USKLADNENIE PRÍSTROJA

- Vyberte akumulátor z orezávača.
- Pred uložením prístroj dôkladne vyčistite..
- Ak je nástavec pre orezávač odpojený od pohonnej hlavy a skladovaný oddelene, namontujte koncovku na hriadeľ nástavca, aby sa nečistoty nedostali do spojky.
- Prístroj skladujte na suchom a dobre vetranom uzamknutom alebo vyvýšenom mieste mimo dosahu detí. Prístroj neskladujte v blízkosti hnojív, benzínu alebo iných chemikálií.

## Ochrana životného prostredia



Nevyhadzujte elektrické zariadenia, nabíjačku batérií a batérie / akumulátory do domového odpadu!

Podľa európskej smernice 2012/19/EU elektrické a elektronické zariadenia, ktoré už nie sú použiteľné a podľa európskej smernice 2006/66/EC chybné alebo použité akumulátory / batérie sa musia zhromažďovať oddelene.

Ak sú elektrické spotrebiče likvidované na neorganizovaných skládkach alebo smetiskách, môžu nebezpečné látky unikať do podzemných vôd, dostať sa do potravinového reťazca a poškodzovať zdravie

## VYHLÁSENIE O ZHODE ES



My, EGO EUROPE GMBH

Wahlwiesenstrasse 1, D-71711 Steinheim an der Murr  
Deutschland

Vyhlasujeme, že výrobok **56 V lítium-iónový akumulátorový nástavec pre orezávač EA0800** vybavený pohonnou hlavou PH1400E

spĺňa základné požiadavky na ochranu zdravia a bezpečnosť podľa týchto smerníc:

2006/42/EC, 2014/30/EU, 2011/65/EU, 2000/14/EC

Uvedené normy a technické špecifikácie:

EN 60745-1, ISO 11789-1, EN 55014-1, EN 55014-2

Nameraná hladina akustického výkonu: 92,4 dB(A).

Garantovaná hladina akustického výkonu: 95 dB(A).

Peter Melrose  
Výkonný riaditeľ  
EGO Europe GmbH

Dong Jianxun  
Manažér kvality spoločnosti  
Chervon

\* (Autorizovaný zástupca pre spoločnosť Chervon a osoba zodpovedná za technickú dokumentáciu)

01/12/2016

SK

## ODSTRAŇOVANIE PROBLÉMOV

PROBLÉM	PRÍČINA	RIEŠENIE
Motor sa nespustí.	<ul style="list-style-type: none"> <li>■ Akumulátor nie je pripojený na pohonnú hlavu.</li> <li>■ Bez elektrického kontaktu medzi pohonnou hlavou a akumulátorom.</li> <li>■ Akumulátor je vybitý.</li> <li>■ Poistná gombík a spínač nie sú súčasne stlačené.</li> </ul>	<ul style="list-style-type: none"> <li>■ Pripojte akumulátor na pohonnú hlavu.</li> <li>■ Vyberte batériu, skontrolujte kontakty a vložte akumulátor, pokiaľ nezapadne na svoje miesto.</li> <li>■ Nabite akumulátor pomocou nabijačiek EGO, ktoré sú uvedené v tomto návode na obsluhu.</li> <li>■ Pre zapnutie strunovej kosačky zatlačte poistnú páčku a podržte ju, potom stlačte vypínač.</li> </ul>
Pohonná hlava sa zastaví počas používania.	<ul style="list-style-type: none"> <li>■ Motor je preťažný.</li> <li>■ Akumulátor alebo pohonná hlava sú príliš horúce.</li> <li>■ Akumulátor je odpojený od nástroja.</li> <li>■ Akumulátor je vybitý.</li> </ul>	<ul style="list-style-type: none"> <li>■ Motor sa zotaví po odstránení záťaže. Pre kontinuálnu prácu znížte zaťaženie pohonnej hlavy.</li> <li>■ Nechajte akumulátor alebo pohonnú hlavu vychladnúť, pokým teplota neklesne pod 67 °C.</li> <li>■ Znovu vložte akumulátor.</li> <li>■ Nabite akumulátor pomocou nabijačiek EGO, ktoré sú uvedené v tomto návode na obsluhu.</li> </ul>
Nerovnomerná hrana	<ul style="list-style-type: none"> <li>■ Orezávaná tráva alebo pôda sú príliš mokré.</li> <li>■ Chránič čepele je upchaný.</li> </ul>	<ul style="list-style-type: none"> <li>■ Neorezávajte v mokrej pôde alebo mokrej trávě.</li> <li>■ Zastavte motor, vyberte akumulátor a odstráňte nečistoty z chrániča čepele.</li> </ul>

**SK**

## ZÁRUKA

### ZÁRUČNÁ POLITIKA EGO

Navštívte webové stránky [egopowerplus.com](http://egopowerplus.com) pre úplné podmienky záručnej politiky spoločnosti EGO.

## OLVASSA EL AZ ÖSSZES UTASÍTÁST!



OLVASSA EL A HASZNÁLATI ÚTMUTATÓT

**⚠ Maradék kockázat!** Az elektronikus készülékekkel, például pacemakerrel, élő emberek a termék használata előtt kérjék ki orvos véleményét. Az elektromos felszerelés a szív pacemakerhez közel való működtetése interferenciát vagy meghibásodást okozhat a pacemakerben.

**⚠ FIGYELMEZTETÉS:** A biztonságosság és megbízhatóság biztosítása érdekében minden javítást szakképzett szerviztechnikus hajtson végre.

## BIZTONSÁGI SZIMBÓLUMOK

A biztonsági szimbólumok célja, hogy felhívják a figyelmet az esetleges veszélyekre. Nagyon figyeljen a biztonsági szimbólumokra és magyarázatokra, ill. ezek megértésére. A szimbólumok figyelmeztetési önmagukban nem hárítják el a veszélyeket. Az utasítások és figyelmeztetések nem helyettesítik a megfelelő balesetmegelőző intézkedéseket.

**⚠ FIGYELMEZTETÉS:** A szerszám használata előtt feltétlenül olvassa el a jelen használati útmutató minden biztonsági utasítását, a „VESZÉLY”, „FIGYELMEZTETÉS” és „FIGYELEM” biztonsági szimbólumokat is. Az alább felsorolt utasítások be nem tartása áramütést, tűzveszélyt és/vagy súlyos személyi sérülést idézhet elő.

HU

## SZIMBÓLUM JELENTÉSE

**BIZTONSÁGI SZIMBÓLUM: VESZÉLYT** vagy **FIGYELMEZTETÉST** jelöl. Más szimbólumokkal vagy rajzokkal együtt használható.

**⚠ FIGYELMEZTETÉS:** Bármely elektromos kéziszerszám működtetése azzal járhat, hogy idegen tárgyak szembe kerülnek, amely súlyos szemsérüléseket okozhat. Az elektromos kéziszerszám működtetése előtt, mindig vegyen fel oldalsó védőlemezzel ellátott védőszemüveget és a teljes védőálarcot, ha szükséges. Javasoljuk, hogy viseljen Wide Vision Safety Mask-ot (védőálarc) a védőszemüveg fölött vagy standard védőszemüveget oldalsó védőlemezzel.

## BIZTONSÁGI UTASÍTÁSOK

Ezen az oldalon olyan biztonsági szimbólumok láthatók és olvashatók, amelyek megjelenhetnek a terméken. Az összeszerelés vagy működtetés előtt olvassa el, értse meg és tartsa be a gép minden utasítását.

	Biztonsági figyelmeztetés	Potenciális személyi sérülés veszélyét jelzi.
	Olvassa el a használati útmutatót	A sérülések kockázatának csökkentése érdekében a használatnak a termék használata előtt el kell olvasnia, és meg kell értenie a használati útmutatót.
	Viseljen hallásvédőt és védőszemüveget	Mindig viseljen védőszemüveget vagy oldalsó védőlemezzel ellátott védőszemüveget és teljes védőálarcot a termék működtetése közben.
	A nézelődők tartsanak biztonságos távolságot	Ügyeljen arra, hogy más személyek és a háziállatok megfelelő távolságban legyenek a fűszegélyvágó használata közben.
	Fűszegélyvágó forgási iránya	A fűszegélyvágó penge forgási irányát jelzi.
	Repülő tárgyak	Alaposan vizsgálja meg a területét, ahol a készüléket használni fogja és távolítsa el minden követ, botot, vezetékét, csontot és minden más idegen tárgyat.
	Forgó vágópenge	Ne tegye kezét vagy lábfejét a forgó alkatrészek alá.

	Ne tegye ki eső hatásának	Ne használja esőben, és hagyja kint, ha esik az eső.
	CE	A termék megfelel az érvényes EK irányelveknek.
	WEEE	Az elhasználadott elektromos termékek nem helyezhetők a háztartási hulladék közé. Vigye hivatalos újrahasznosító telephelyre.
	Zaj	Garantált hangteljesítményszint. Környezetre ható zajkibocsátás a Európai Közösség irányelve szerint.
V	volt	Feszültség
mm	milliméter	Hossz vagy méret
cm	centiméter	Hossz vagy méret
kg	kilogramm	Súly
	Egyenáram	Áram típusa vagy jellemzői

## FONTOS BIZTONSÁGI ELŐÍRÁSOK

**▲ FIGYELMEZTETÉS:** A fűkasza használata közben mindig tartsa be a következő alapvető biztonsági óvintézkedéseket a tűz, áramütés és személyi sérülések kockázatának csökkentése érdekében, a következőket is beleértve:

### HASZNÁLAT ELŐTT FIGYELMESEN OLVASSA EL

#### ŐRIZZE MEG KÉSŐBBI HASZNÁLATRA.

**▲ VESZÉLY:** Ne hagyatkozzon kizárólag a szerszám áramütés elleni szigetelésére. Az áramütés kockázatának csökkentése érdekében soha ne működtesse a gépet vezetékek vagy kábelek (hálózati stb.) közelében, amelyek elektromos áramot vezethetnek.

**▲ FIGYELEM:** Használat közben viseljen megfelelő személyes hallásvédőt. Bizonyos körülmények között és használati idő után a termék halláskárosodást okozhat.

## GYAKORLÁS

- Körültekintően olvassa el az utasításokat. Ismerje meg a gép szabályozását és helyes használatát.
- Ne engedélyezze a gép használatát gyermekeknek vagy olyan személyeknek, akik nem ismerik ezeket az utasításokat. A helyi rendelkezések korlátozásokat tartalmazhatnak a szerszám működtetőjének életkorára vonatkozóan.
- Soha ne vágjon fűvet, ha emberek, különösen gyermekek, vagy kis állatok vannak a közelben.
- Ne feledje, hogy a szerszám működtetője a felelős azokért a balesetekért vagy veszélyekért, amelyek más embereket érintenek vagy mások vagyontárgyait érintik.

## ELŐKÉSZÍTÉS

- Vágás közben mindig viseljen védőszemüveget és fülvédőt, megfelelő lábbelit és hosszú szárú nadrágot.
- Alaposan vizsgálja meg a területet, ahol a készüléket használni fogja és távolítson el minden követ, botot, vezetéket, csontot és minden más idegen tárgyat.
- Használat előtt mindig ellenőrizze szemrevételezéssel, hogy a pengék és penge csavarok nem kopottak-e el vagy nem sérültek-e meg. Készletek formájában cserélje a kopott pengéket és csavarokat az egyensúly fenntartása érdekében.

## ÜZEMELTETÉS

- Csak nappali világosságnál vagy megfelelő mesterséges megvilágítás mellett vágjon fűvet.
- Ha lejtős terepen van, mindig ügyeljen rá, hova lép.
- Sétáljon, soha ne fusson.
- Legyen rendkívül óvatos, ha megfordítja vagy önmaga felé húzza a fűszegélyvágót.
- Ellenőrizze, hogy a penge leállt-e, fűtől eltérő felületeken keresztül történő áthelyezése előtt, vagy ahol a fűszegélyvágó megdöntése szükséges.
- Soha ne működtesse a fűszegélyvágót sérült, hiányzó vagy nem megfelelően felhelyezett védőelemekkel.
- Ne módosítsa a motor fordulatszám-irányító beállításait, és ne működtesse túl gyorsan a motort.
- Óvatosan kapcsolja be a motort az utasítások szerint, és megfelelő távolságban állva a pengé(k)től.
- Ne indítsa el a motort, ha szemlélődő szemben áll a pengével (pengékkel).
- Ne tegye kezét vagy lábfejét a forgó alkatrészek alá.
- Mindig kapcsolja ki a motort, és vegye ki az akkumulátort:
  - 1) mielőtt megszüntetne egy eltömődést;
  - 2) mielőtt ellenőrizi, tisztítja vagy bármilyen más munkát végez a pengé(ke)n;

- 3) ha idegen tárgyba akadt; Vizsgálja át a pengé(ke)t a károk szempontjából és végezze el a szükséges javításokat mielőtt újraindítja és használja a fűszegélyvágót,
  - 4) Ha a fűszegélyvágó rendellenesen remegni kezd (azonnal ellenőrizze).
  - Állítsa le a motort, amikor leteszi a fűszegélyvágót.
  - Ne töltsé az akkumulátoregységet esőben vagy nedves helyiségekben.
  - Csak a lent felsorolt akkumulátoregységeket és töltőket használja:
- | AKKUMULÁTOREGYSÉG         | TÖLTŐ   |
|---------------------------|---------|
| BA1120E, BA2240E, BA2800, | CH2100E |
| BA3360, BA4200            | CH5500E |

- Az akkumulátoregységet ki kell venni, mielőtt kicselejtezi a készüléket.
- Az akkumulátort biztonságosan kell ártalmatlanítani.
- Az akkumulátorokat tűzbe dobni tilos! Az akkumulátorok felrobbanhatnak. Ellenőrizze a lehetséges speciális ártalmatlanítási utasítások helyi kódját.
- Ne nyissa ki, és ne rongálja meg az akkumulátort. A felszabaduló elektrolit maró hatású, és sérülést okozhat a szemben vagy a bőrön. Lenyelve mérgező lehet.
- Bánjon nagyon óvatosan az akkumulátorokkal, hogy ne zárja rövidre olyan vezetőképes anyagokkal, mint a gyűrűk, karkötők és kulcsok. Az akkumulátor vagy a konduktor túlmelegedhet, és égési sérülést okozhat.
- Az akkumulátorral működő szerszámokat nem kell hálózati aljzathoz csatlakoztatni; ezért mindig működőképese állapotban vannak. Ügyeljen a lehetséges veszélyekre, akkor is, ha a szerszám nem működik. Legyen óvatos karbantartás és szervizelés közben.
- Ne mossa tömlővel; ne kerüljön víz a motorba és az elektromos csatlakozásokba.

### Karbantartás és tárolás

- Az összes csavar, alátét és hasonló rész legyen jól meghúzva, hogy a készülék biztonságos munkállapotban legyen.
- Az elkopott vagy megsérült részeket cserélje ki.
- Ne próbálja megjavítani a gépet, kivéve, ha van erre szakképesítése.
- Csak a gyártó által javasolt pótalkatrészeket és tartozékokat használja.
- Karbantartási vagy tisztítási munkálatok elvégzése előtt vegye ki az akkumulátort a gépből.

- Rendszeresen ellenőrizze a gépet, és végezzen karbantartást. A gép javítását csak felhatalmazott szerelő végezheti el.
- Gyermekek által hozzá nem férhető helyen tárolja a gépet, amikor nem használja azt.
- Amennyiben olyan helyzet adódik, amely nem szerepel a jelen használati útmutatóban, akkor óvatosan és kellő mérlegeléssel cselekedjen. Forduljon az EGO szervizközponthoz segítségért.
- Őrizze meg ezeket az utasításokat. Időnként olvassa át, és használja, amikor másokat a kéziszerszám használatára tanít be. Ha valakinek kölcsön adja a szerszámot, akkor adja át a használati utasítást is a helytelen használat és lehetséges sérülések elkerülése érdekében.

### ŐRIZZE MEG EZEKET AZ UTASÍTÁSOKAT!

### MEGJEGYZÉS: KIEGÉSZÍTŐ BIZTONSÁGI SZABÁLYOK A FŰSZEGÉLYVÁGÓ HASZNÁLATI ÚTMUTATÓJÁBAN TALÁLHATÓK.

### MŰSZAKI ADATOK

Kés hosszúsága	20 cm	
Vágás mélysége	akár 75 mm	
Súly	2,26 kg	
Mért hangteljesítményszint $L_{WA}$	92,4 dB(A) K=2,07 dB(A)	
Hangnyomásszint a kezelő fülénél $L_{PA}$	79,8 dB(A) K=3 dB(A)	
Nivel de putere sonoră garantat $L_{WA}$ (măsurat în conformitate cu 2000/14/CE)	95 dB(A)	
Vibrații $a_h$	Elülső segédfogantyú	1,2 m/s <sup>2</sup> K=1,5 m/s <sup>2</sup>
	Hátsó fogantyú	2,2 m/s <sup>2</sup> K=1,5 m/s <sup>2</sup>

- A fenti paraméterek PH1400E meghajtófejjel felszerelve kerültek tesztelésre és mérésre;
- Valoarea totală declarată a vibrațiilor a fost măsurată în conformitate cu o metodă standard de testare și poate fi utilizată pentru compararea sculelor între ele;
- Valoarea totală declarată poate fi utilizată în evaluarea preliminară a expunerii.



**OBSERVAȚIE:** Vibrațiile emise în timpul utilizării efective a sculei electrice pot diferi față de valoarea celor declarate pentru scula utilizată; Pentru protejarea operatorului, utilizatorul trebuie să poarte mănuși și protecții auditive în timpul utilizării efective a produsului.

## CONȚINUTUL AMBALAJULUI

DENUMIRE PIESĂ	CANTITATE
Fűszegélyvágó alkatrész	1
Imbuszkulcs	1
Multifunkciós csavarkulcs	1
Biztosító szeg	2
Manual de instrucțiuni	1

### Javasolt penge

ALKATRÉSZ NEVE	MODELLSZÁM
Fűszegélyvágó penge	AEB0800

## DESCRIERE

### ISMERJE MEG A FŰSZEGÉLYVÁGÓT (A ábra)

1. Zárósapka
2. Fűszegélyvágó tengely
3. Pengevédő
4. Penge
5. Mélységbeállító gomb
6. Irányító kerék
7. Imbuszkulcs
8. Multifunkciós csavarkulcs
9. Mélységbeállító láncvezető
10. Szemétfelfogó lemez
11. Biztosító szeg
12. Csavar a védőlemez rögzítéséhez
13. Védőlemez

## ÖSSZESZERELÉS

**⚠ FIGYELMEZTETÉS:** Ha bármely alkatrész sérült vagy hiányzik, akkor ne működtesse a terméket, amíg az alkatrészeket ki nem cserélik. Sérült vagy hiányzó alkatrészekkel való használat súlyos személyes sérülést okozhat.

**⚠ FIGYELMEZTETÉS:** Ne próbálja megváltoztatni a fűkaszát, és ne készítsen hozzá tartozékokat, amelyek nem javasoltak ehhez a láncfűrészhez. Bármilyen módosítás vagy változtatás helytelen használatnak minősül, és veszélyes feltételeket teremthet, amely súlyos személyi sérüléssel végződhet.

**⚠ FIGYELMEZTETÉS: Ne állítsa el a penge védőburkolatot.** A penge védőburkolata gyárilag úgy van beállítva, hogy a penge védőburkolaton lévő nyíl és a nyitott oldal ne a kezelő felé mutasson. Ez biztosítja, hogy a levágott fű és más hulladékok ne az elektromos kéziszerszám és a kezelő irányába repüljenek.

## FŰSZEGÉLYVÁGÓ TARTOZÉK RÖGZÍTÉSE A MEGHAJTÓFEJRE

A fűszegélyvágó tartozékokat EGO 56 V-os lítium-ion PH1400E meghajtófejhez tervezték.

Lásd az „**ALKATRÉSZ CSATLAKOZTATÁSA A MEGHAJTÓFEJHEZ**” fejezetet a PH1400E meghajtófej használati útmutatójában.

## MŰKÖDTETÉS

**⚠ FIGYELMEZTETÉS:** Ne hagyja, hogy a termékkel szerzett jártassága miatt óvatlanná váljon. Emlékezzen arra, hogy a másodperc töredéke alatt történő óvatlanság súlyos sérülést okozhat.

**⚠ FIGYELMEZTETÉS:** Mindig viseljen oldalsó védőlemezzel ellátott védőszemüveget. Hallásvédővel együtt. Amennyiben nem ezt teszi, tárgyak repülhetnek a szemébe, és más komoly sérülések keletkezhetnek.

## ALKALMAZÁSOK

A terméket az alábbi célokra használhatja:

- vágás járdáknál, járdaszegélyeknél, virágágásoknál és hasonló területeken.

**MEGJEGYZÉS:** A szerszámot csak az előírt célokra használja. Bármilyen más használat helytelen használatnak minősül.

## A sérült/kopott alkatrészek ellenőrzése minden használat előtt

Ellenőrizze az ütköző fejet, védőburkolatot és első segéd-fogantyút, és cserélje ki a repedt, behajlott vagy sérült alkatrészeket.

**▲ FIGYELMEZTETÉS:** A súlyos személyi sérülések elkerülése érdekében távolítsa el az akkumulátoregységet a szerszámból szervizelés, tisztítás, tartozékok cseréje vagy anyagok szerszámból való eltávolítása közben.

## FŰSZEGÉLYVÁGÓ TARTOZÉK HASZNÁLATA A MEGHAJTÓFEJEL

**▲ FIGYELMEZTETÉS:** Megfelelően öltözzön fel a sérülések kockázatának csökkentése érdekében, amikor a szerszámot működteti. Ne viseljen laza ruházatot vagy ékszereket. Viseljen védőszemüveget és fülvédőt; Viseljen erős, hosszú szárú nadrágot, cipőt és kesztyűt. Ne viseljen rövidnadrágot vagy szandált, és ne járjon mezítláb. Viseljen arc- vagy porvédő maszkot poros körülmények között.

**▲ FIGYELMEZTETÉS:** Távolítsa el minden akadályt és szilárd tárgyat a munkaterületről.

A biztonságos és jobb működés érdekében helyezze fel a vállszíjat a vállán keresztben. A vállszíjat kényelmes működtetési pozícióba állítsa.

A fűszegélyvágót mindig a jobb kezével a hátsó fogantyún és a bal kezével az első fogantyún tartsa. A szerszámot működtetés közben mindig erősen fogja. A fűszegélyvágót kényelmes pozícióban tartsa, a hátsó fogantyú körülbélül csípőmagasságban legyen (B ábra).

**FIGYELMEZTETÉS:** A vállsízj gyorskioldó mechanizmus is veszélyes helyzetben. Ha vészhelyzet adódik, akkor azonnal vegye le a válláról, függetlenül attól, hogy van feltéve a szíj.

## Minden használat után tisztítsa meg a fűszegélyvágót.

Lásd a KARBANTARTÁS fejezetben lévő tisztítási utasításokat.

## VÁGÁS HOSSZÁNAK BEÁLLÍTÁSA

1. Állítsa le a motort, és vegye ki az akkumulátoregységet.
2. Oldja ki a mélységbeállító gombot a gombon lévő nyíl kioldási irányába (C ábra).
3. Mozdogassa az irányító kereket a mélységbeállító lörcsvetetőn felfelé a vágási mélység növeléséhez, vagy lefelé a vágási mélység csökkentéséhez (D ábra).

4. Úgy állítsa be az irányító kereket, hogy a penge 5 mm-rel a talaj felett legyen (E ábra), majd húzza meg biztonságosan.
5. Álljon normál munkahelyzetbe, ellenőrizze a vágási mélységet, és állítson rajta, ha szükséges.

## A KÉSZÜLÉK INDÍTÁSA/LEÁLLÍTÁSA

Lásd „A MEGHAJTÓFEJ INDÍTÁSA/LEÁLLÍTÁSA” fejezetet a PH1400E meghajtófej használati útmutatójában.

## MŰKÖDTETÉSI TANÁCSOK

- A meghajtófejet úgy fogja és mozgassa, hogy a penge függőleges legyen. Használja a látóvonalat, hogy a segítségével beállítsa a fűszegélyvágót (F ábra).
- Ne lépjen nagyobbat a normális munkalépéseknél. Ha a penge elkezd süllyedni, akkor túl gyorsan vág, lassítsa le a lépteit.
- Mindig előre felé lépkedjen vágás közben, és előre felé mozgassa a fűszegélyvágót. Ne húzza a fűszegélyvágót maga felé.
- Ne erőltesse a pengét a talajhoz. Ha a penge kissé a járda széléhez, a járdaszegélyhez stb. ér, az még elfogadható, és nem rongálja meg a fűszegélyvágót.
- A legjobb eredmény akkor biztosítható, ha a fű száraz. Ne vágjon nedves talajon vagy fűvön, vagy olyan helyen, ahol a penge védőburkolata beakadhat, és a szélek egyenetlenek lesznek. Amennyiben a penge védőburkolata beakad, állítsa le a motort, vegye ki az akkumulátoregységet, és távolítsa el a hulladékot a penge védőburkolatáról.

## KARBANTARTÁS

**▲ FIGYELMEZTETÉS:** Az egység ellenőrzése, tisztítása vagy szervizelése előtt állítsa le a motort, várjon, amíg minden mozgó alkatrész leáll, és vegye ki az akkumulátoregységet. A jelen utasítások be nem tartása súlyos személyi sérülést vagy anyagi kárt eredményezhet.

**▲ FIGYELMEZTETÉS:** Javitáskor használjon azonos pótalkatrészeket. Más alkatrészek használata veszélyt okozhat, vagy megrongálhatja a terméket. A biztonságosság és megbízhatóság biztosítása érdekében minden javítást szakképzett szerviztechnikus hajtson végre.

## ÁLTALÁNOS KARBANTARTÁS

A műanyag alkatrészek tisztításához ne használjon oldószereket. A legtöbb műanyag a vegyi oldószerek által deformálódás általi sérülésnek van kitéve, ezek megrongálhatják őket. Használjon tiszta ruhát a szennyeződés, por, olaj, zsír stb. eltávolításához.

## AZ EGYSÉG TISZTÍTÁSA

- Minden használat után tisztítsa le a hulladékok, a beakadt fűvet a pengéről és a védőburkolatról egy puha kefével. Törölje le a fűszegélyvágó felületét egy tiszta, kímélő szappanos oldattal megnedvesített ruhával.
- Használjon kis keféet vagy kis porszívó keféet a szellőzőnyílásoknak a hátsó burkolaton lévő akadályoktól való megtisztításához.

**MEGJEGYZÉS:** Ne használjon erős tisztítószereket a műanyag burkolaton vagy a fogantyún. Ezek megsérülhetnek a különböző aromaolajaktól, pl. fenyő vagy citrom.

## PENGE CSERÉJE

**▲ FIGYELMEZTETÉS:** Ne próbálja meg kiegyenesíteni vagy forrasztani a behajlott vagy megrepedt pengét – mert eltörhet – ki kell cserélni. Javasoljuk, hogy EGO fűszegélyvágó pengére cserélje ki, lásd a „**Javasolt penge**” fejezetet.

**MEGJEGYZÉS:** Cserélje ki a pengét, ha a hosszúsága már nem elegendő ahhoz, hogy megfelelő mozgástér és így a kívánt vágási mélység biztosítva legyen.

**▲ FIGYELMEZTETÉS:** Mindig védje a kezét nagy teherbírású kesztyűvel vagy úgy, hogy a pengét betekeri rongyokba vagy más anyagokba, amikor karbantartást végez a fűszegélyvágó pengéjén.

### A penge levétele

1. Állítsa le a motort, és vegye ki az akkumulátoregységet.
2. Helyezze a fűszegélyvágót a hátoldalára, hogy a penge felfelé nézzen.
3. Viseljen védőkesztyűt. Használjon közepescsőrű laposfogót (nem tartozék), hogy levegye a biztosító szeget a motor tengelyről (G ábra).
4. Fordítsa el a pengét, hogy a peremen lévő nyílást a szerelvényburkolathoz illessze (G ábra).

A G ábra alkatrészeinek leírását lásd lent:

G-1	Biztosító szeg
G-2	Belső perem
G-3	Szerelvényburkolat

5. Helyezze a mellékelt imbuszkulcsot az összeillesztett nyílásokba, hogy stabilizálóként használja. Használja a mellékelt multifunkciós csavarkulcsot a csavar **ÓRAMUTATÓ JÁRÁSÁVAL MEGEGYEZŐ IRÁNYBA** történő megmozdításához (H ábra).
6. Vegye le az anyát, a külső peremet, a pengét és a belső peremet a motor tengelyről (I ábra). Ellenőrizze ezeket, és cserélje ki őket, ha elhasználódtak.

Az I ábra alkatrészeinek leírását lásd lent:

I-1	Motortengely	I-5	Penge
I-2	Belső perem	I-6	Külső perem
I-3	Nyílás a belső peremen	I-7	Csavar
I-4	Belső perem széle	I-8	Biztosító szeg

### A penge felhelyezése

1. Helyezze a belső peremet a motor tengelyre a széle kifelé nézzen (I ábra).
2. Helyezzen fel egy új pengét a belső peremre, ellenőrizze, hogy a penge biztonságosan a helyére van-e rögzítve (J ábra).
3. Szerelje fel a külső peremet és az anyát a tengelyre, és húzza meg kézzel az anyát az **ÓRAMUTATÓ JÁRÁSÁVAL ELLENKEZŐ IRÁNYBA**.
4. Kövesse a „Penge levétele” fejezet 4. és 5. lépését a penge rögzítéséhez, és húzza meg a pengét az **ÓRAMUTATÓ JÁRÁSÁVAL ELLENKEZŐ IRÁNYBA**.
5. Helyezzen be egy új, mellékelt biztosító szeget a motor tengely nyílásába. Hajlítsa be a szeg két végét ellenkező irányba egy közepescsőrű laposfogóval (nem tartozék) (G ábra).

### IRÁNYÍTÓ KERÉK CSERÉJE

1. Állítsa le a motort, és vegye ki az akkumulátoregységet.
2. Helyezze a fűszegélyvágót a hátoldalára, hogy az irányító kerék felfelé nézzen.
3. Oldja ki a mélységbeállító gombot a gombon lévő nyíl kioldási irányába, és vegye le.
4. Távolítsa el a rugós alátétet, az 1. sima alátétgyűrűt, az irányító kereket, a perselyt és a 2. sima alátétgyűrűt a rögzítőrúdról (K ábra). Ellenőrizze ezeket, és cserélje ki őket, ha elhasználódtak.
5. Először szerelje fel a rögzítőrudat a mélységbeállító láncvezetőre, majd szerelje fel a 2. sima alátétgyűrűt, a perselyt és az új kereket, majd szerelje fel az 1. sima alátétgyűrűt, a rugós alátétet és a mélységbeállító gombot a rögzítőrúdra a K ábrán látható sorrendben.

A K ábra alkatrészeinek leírását lásd lent:

K-1	Mélységbeállító gomb	K-5	Persely
K-2	Rugós alátét	K-6	2. sima alátétgyűrű
K-3	1. sima alátétgyűrű	K-7	Rögzítőrúd
K-4	Irányító kerék	K-8	Mélységbeállító láncvezető

**MEGJEGYZÉS:** Az irányító kereket a lapos bordákkal befelé szerelje fel (L ábra).

Az L ábra alkatrészeinek leírását lásd lent:

L-1	Csavarok	L-3	Szemétfelfogó lemez
L-2	Lapos borda	L-4	Rögzítőlemez

- Rögzítse a mélységbeállító gombot.

#### SEMÉTFELFOGÓ LEMEZ CSERÉJE (L ábra)

- Állítsa le a motort, és vegye ki az akkumulátoregységet.
- Használja a mellékelt imbuszkulcsot a két csavar meglazításához.
- Vegye le a csavarokat, rögzítőlemezt és elhasználódott szemétfelfogó lemezt.
- Cserélje ki egy új szemétfelfogó lemezzel, és rögzítő a rögzítőlemezzel és a két csavarral.

#### A KOPÁSMENTES VÉDŐBURKOLAT/VÉDŐLEMEZ ELLENŐRZÉSE ÉS CSERÉJE (M ábra)

Az elektromos kéziszerszám indítása előtt ellenőrizze a kopásgátló védőburkolatot és védőlemezt sérülések szempontjából. A kopásmentes védőburkolatot ki kell cserélni, ha a szerelvényburkolat láthatóvá válik.

**MEGJEGYZÉS:** A szerelvényburkolat súlyosan megsérülhet, ha nem cseréli ki a kopásgátló védőburkolatot, amint a szerelvényburkolat láthatóvá válik.

- Állítsa le a motort, és vegye ki az akkumulátoregységet.
- Viseljen védőkesztyűt. Fordítsa el a pengét a szükséges mértékben a két csavar levételéhez.
- Használja a mellékelt imbuszkulcsot a két csavar meglazításához, és vegye le őket.

**MEGJEGYZÉS:** Ha ki kell cserélni a védőlemezt, akkor csak az 1. csavart lazítsa meg és vegye le.

- Cserélje ki a deformálódott kopásgátló védőburkolatot/ védőlemezt.
- Szereljen fel egy új kopásgátló védőburkolatot és védőlemezt a szerelvényburkolatra, majd rögzítse a két csavarral.

Az M ábra alkatrészeinek leírását lásd lent:

M-1	1. csavar	M-4	Kopásgátló védőburkolat
M-2	Védőlemez	M-5	Szerelőnyílások
M-3	2. csavar	M-6	Szerelvényburkolat

#### A VÉDŐLEMEZ LEVÉTELE

Ha van tapasztalata ezzel a típusú fűszegélyvágóval, vagy ha úgy gondolja, hogy a védőlemez gátolja a fűszegélyvágó működtetésében, akkor leveheti a védőlemezt.

- Lazítsa meg és vegye le az 1. csavart.
- Vegye le a védőlemezt.
- Helyezze vissza és húzza meg az 1. csavart.

#### SEBESSÉGVÁLTÓ OLAJOZÁSA

A szerelvényburkolatban lévő sebességváltót időnként be kell olajozni kenőanyaggal. Ellenőrizze a szerelvényburkolat kenőanyag szintjét minden 50. működési óra után, úgy, hogy leveszi a burkolat oldalán lévő rögzítőcsavart.

Ha nem lát kenőanyagot a burkolat oldalán, akkor kesse a lenti lépéseket, hogy feltöltse a térfogat 3/4-éig kenőanyaggal.

Ne tölts fel teljesen a sebességváltót.

- Állítsa fel egyenesen a fűszegélyvágót, hogy a rögzítőcsavar felfelé nézzen (N ábra).
- Használja a mellékelt multifunkciós csavarkulcsot a rögzítőcsavar meglazításához és levételéhez. Használjon zsírozó fecskendőt (nem tartozék), hogy kenőanyagot vigyen fel a csavar nyílásra; ne lépje túl a 3/4 térfogatot.
- Befecskendezés után húzza meg a rögzítőcsavart.

#### AZ EGYSÉG TÁROLÁSA

- Vegye ki az akkumulátoregységet a fűszegélyvágóból.
- Tárolás előtt alaposan tisztítsa meg a szerszámot.
- Amennyiben a fűszegélyvágó tartozékot leveszi a meghajtófejről, és külön tárolja, akkor helyezze fel a zárósapkát a tartozék tengelyre, hogy ne kerüljön szennyeződés a csatlakozóba.
- Az egységet száraz, jól szellőző, elzárt vagy magas helyen tárolja, ahol gyermekek nem érik el. Ne tárolja az egységet benzinnel vagy más vegyszerek mellett.

**A környezet védelme**

Ne dobja az elektromos felszerelést, az akkumulátor töltőt és az akkumulátorokat/újratölthető akkumulátorokat a háztartási hulladékok közé!

Az elektromos és elektronikus berendezések hulladékairól szóló 2012/19/EU európai törvény, amely már nincs érvényben, és az 2006/66/EK európai törvény értelmében a sérült vagy elhasznált akkumulátoregységeket/akkumulátorokat külön kell gyűjteni.

Ha az elektromos berendezéseket talajfeltöltési vagy árokbetömési célokra használják, olyan veszélyes anyagok kerülhetnek belőlük a talajvízbe, majd onnan a táplálkozási láncba, amelyek veszélyeztetik az egészséget.

**EK MEGFELELŐSÉGI NYILATKOZAT**

Mi, a EGO EUROPE GMBH

Wahlwiesenstrasse 1, D-71711 Steinheim an der Murr  
Deutschland

Kijelentjük, hogy az **EA0800 56 V lítium-ion vezeték nélküli fűszegélyvágó tartozék** termék PH1400E meghatározottal van felszerelve.

a következő irányelvekben előírt egészségügyi és biztonsági követelményeknek:

2006/42/EK, 2014/30/EU, 2011/65/EU, 2000/14/EK

A standardokat és műszaki adatokat itt nézheti meg:

EN 60745-1, ISO 11789-1, EN 55014-1, EN 55014-2

Mért hangteljesítményszint: 92,4 dB(A),

Garantált hangteljesítményszint: 95 dB(A)

Peter Melrose  
Az EGO Europe GmbH  
ügyvezető igazgatója

Dong Jianxun  
Chervon minőségbiztosítási vezetője

\* (A CHERVON felhatalmazott képviselője és a műszaki dokumentáció felelőse)

01/12/2016

**HU**

## HIBAELHÁRÍTÁS

PROBLÉMA	A PROBLÉMA OKA	MEGOLDÁS
A motor nem indul.	<ul style="list-style-type: none"> <li>■ Az akkumulátoregység nincs csatlakoztatva a meghajtófejhez.</li> <li>■ Nincs elektromos kapcsolat a meghajtófej és az akkumulátoregység között.</li> <li>■ Az akkumulátoregység lemerült.</li> <li>■ A kapcsoló gomb és a trigger nem egyidejűleg van megnyomva..</li> </ul>	<ul style="list-style-type: none"> <li>■ Csatlakoztassa az akkumulátoregységet a meghajtófejhez.</li> <li>■ Vegye ki az akkumulátoregységet, ellenőrizze a csatlakozást, és helyezze vissza az akkumulátoregységet, amíg a helyén nincsen.</li> <li>■ Töltse fel az akkumulátoregységet EGO a jelen útmutatóban megadott töltővel</li> <li>■ Nyomja meg és tartsa lenyomva a kapcsoló kart, és tartsa ebben a pozícióban. Nyomja meg a triggert a meghajtófej bekapcsolásához.</li> </ul>
A meghajtófej működés közben leáll.	<ul style="list-style-type: none"> <li>■ A motor túlterhelt</li> <li>■ Az akkumulátoregység vagy a meghajtófej túl forró.</li> <li>■ Az akkumulátoregység ki van véve a szerszámból.</li> <li>■ Az akkumulátoregység lemerült.</li> </ul>	<ul style="list-style-type: none"> <li>■ A motor újra működőképes, ha a terhet eltávolítja. A folyamatos működés érdekében csökkentse a meghajtófej teljesítményét.</li> <li>■ Hagyja kihűlni az akkumulátoregységet vagy a meghajtófejet 152°F (67 °C) alatti hőmérsékletre.</li> <li>■ Helyezze vissza az akkumulátoregységet.</li> <li>■ Töltse fel az akkumulátoregységet EGO a jelen útmutatóban megadott töltővel</li> </ul>
Egyenetlen szél	<ul style="list-style-type: none"> <li>■ A fű vagy talaj túl nedves.</li> <li>■ A penge védőburkolat eltömődött.</li> </ul>	<ul style="list-style-type: none"> <li>■ Ne vágjon vizes talajon vagy fűvön.</li> <li>■ Állítsa le a motort, vegye ki az akkumulátoregységet, és távolítsa el a hulladékot a penge védőburkolatáról.</li> </ul>

HU

## GARANCIA

### EGO GARANCIÁLIS FELTÉTELEK

Kérjük, látogasson el az [egopowerplus.com](http://egopowerplus.com) oldalra, ahol megtalálja a részletes EGO garanciális feltételeket.

## CITIȚI TOATE INSTRUCȚIUNILE!



### CITIȚI MANUALUL DE INSTRUCȚIUNI

**⚠ Riscuri reziduale!** Persoanele cu dispozitive electronice precum stimulatoare cardiace ar trebui să-și consulte medicul (medicii) înainte de a utiliza acest produs. Utilizarea unui echipament electric în imediata apropiere a unui stimulator cardiac poate cauza interferențe sau pana stimulatorului.

**⚠ AVERTISMENT:** Pentru siguranța și fiabilitatea produsului, toate reparațiile ar trebui efectuate de către un tehnician de service autorizat.

## SIMBOLURI PRIVIND SIGURANȚA

Scopul simbolurilor privind siguranța este să vă atragă atenția asupra pericolelor posibile. Simbolurile privind siguranța și explicațiile furnizate cu acestea merită atenția și înțelegerea dumneavoastră. Simbolurile de avertizare, ele singure, nu elimină niciun pericol. Instrucțiunile și avertismentele pe care le oferă nu pot înlocui măsurile corecte de prevenire a accidentelor.

**⚠ AVERTISMENT:** Asigurați-vă că ați citit și înțelegiți toate instrucțiunile privind siguranța din acest Manual de utilizare, inclusiv toate simbolurile de alertă privind siguranța precum “**PERICOL**,” “**AVERTISMENT**,” și “**ATENȚIE**” înainte de a utiliza această sculă. Nerespectarea tuturor avertismentelor și instrucțiunilor poate duce la electrocutare, incendiu și/sau răniiri grave.

## SEMNIFICAȚIA SIMBOLURILOR

**SIMBOL DE AVERTIZARE PRIVIND SIGURANȚA:** Indică **PERICOL**, **AVERTISMENT**, sau **ATENȚIE**. Poate fi utilizat împreună cu alte avertismente sau pictograme.





**⚠ AVERTISMENT:** Operarea oricărui scule electrice poate rezulta în proiectarea înspre ochii dumneavoastră a unor obiecte străine, ceea ce poate duce la vătămări grave ale ochilor. Înainte de a începe să utilizați scula electrică, întotdeauna purtați ochelari de protecție cu apărători laterale și vizieră facială completă când este nevoie. Vă recomandăm să purtați o Vizieră lată de protecție peste ochelarii de vedere sau ochelari de protecție standard cu apărători laterale.

## INSTRUCȚIUNI PRIVIND SIGURANȚA

Această pagină descrie simbolurile de siguranță ce pot apărea pe acest produs. Citiți, înțelegeți, și respectați toate instrucțiunile de pe mașină înainte de asamblare și operare.

	Alertă privind siguranța	Indică un risc posibil de vătămare personală.
	Citiți manualul de instrucțiuni	Pentru a reduce riscul de rănire, utilizatorul trebuie să citească și să înțeleagă manualul de instrucțiuni înainte de a utiliza acest produs.
	Purtați echipament de protecție auditivă și oculară	Purtați întotdeauna ochelari de protecție sau ochelari de protecție cu apărători laterale și o vizieră facială completă când utilizați acest produs.
	Țineți trecătorii la o distanță de siguranță	Asigurați-vă că terții și animalele de companie se află o anumită distanță de trimmerul de profilat margini când acesta este în funcțiune.
	Direcția de rotație a lamei trimmerului	Indică direcția de rotație a lamei trimmerului.
	Obiecte ejectate	Inspectați cu atenție zona în care urmează a fi utilizat echipamentul pentru a îndepărta toate pietrele, bețele, oasele și alte obiecte străine.
	Lamă de tăiere rotativă	Nu vă amplasați niciodată mâinile sau picioarele în apropiere sau sub părțile rotative.
	A nu se expune la ploaie	Nu utilizați acest produs în ploaie și nu-l lăsați în exterior în timp ce plouă.

**RO**

	CE	Acest produs este în conformitate cu directivele europene aplicabile.
	DEEE	Deșeurile produselor electrice nu trebuie să fie eliminate împreună cu deșeurile menajere. Predați-le unui punct de reciclare autorizat.
	Zgomot	Nivelul puterii sunetului garantat. Emisii sonore în mediul înconjurător conform Directivei comunitare europene.
V	Volt	Voltaj
mm	Milimetru	Lungime sau dimensiuni
cm	Centimetru	Lungime sau dimensiuni
kg	Kilogram	Greutate
	Curent continuu	Tip sau o caracteristică a curentului

## INSTRUCȚIUNI IMPORTANTE PRIVIND SIGURANȚA

**⚠️ AVERTISMENT:** Când utilizați trimmere cu fir, trebuie să se respecte întotdeauna instrucțiunile de bază privind securitatea, inclusiv următoarele, pentru a se reduce riscul de incendiu, șoc electric și vătămare.

## CITIȚI CU ATENȚIE ÎNAINTE DE UTILIZARE

### PĂSTRAȚI PENTRU CONSULTARE ULTERIOARĂ

**⚠️ PERICOL:** Nu vă bazați pe izolația electrică a sculei împotriva electroșocurilor. Pentru a reduce riscul de electrocutare nu utilizați niciodată mașina în vecinătatea firelor sau cablurilor (electrice, etc.) care ar putea transporta curent electric.

**⚠️ ATENȚIE:** Purtați protecție personală auditivă adecvată în timpul utilizării. În anumite condiții și durate de utilizare, zgomotul de la acest produs poate contribui la pierderea auzului.

## INSTRUIREA

- Citiți cu atenție instrucțiunile. Familiarizați-vă cu comenzile și cu utilizarea corectă a mașinii.

- Nu permiteți copiilor, persoanelor cu capacități fizice, senzoriale sau mentale reduse ori lipsite de experiență și cunoștințe sau persoanelor nefamiliarizate cu aceste instrucțiuni să utilizeze mașina.
- Nu tundeți niciodată marginile în timp ce sunt oameni, mai ales copii, sau animale în apropiere.
- Rețineți că operatorul sau utilizatorul este responsabil de accidentele sau pericolele la care sunt supuse alte persoane sau bunurile acestora.

## PREGĂTIREA

- În timp ce utilizați echipamentul, purtați întotdeauna protecție oculară și auditivă, încălțăminte trainică și pantaloni lungi.
- Inspectați cu atenție zona în care urmează a fi utilizat echipamentul pentru a îndepărta toate pietrele, bețele, oasele și alte obiecte străine.
- Înainte de utilizare, verificați întotdeauna vizual lama, șuruburile lamei și ansamblul lamei să nu fie uzate sau deteriorate. Înlocuiți lamele uzate sau deteriorate și șuruburile în seturi, pentru a păstra echilibrul.

## UTILIZAREA

- Utilizați trimmerul numai pe timp de zi sau în condiții de lumină artificială bună.
- Mențineți întotdeauna o poziție stabilă pe pante.
- Mergeți, nu fugiți niciodată.
- Fiți foarte atenți când schimbați sensul sau trageți trimmerul către dumneavoastră.
- Asigurați-vă că lama este oprită înainte de traversa suprafețe ce nu sunt acoperite cu iarbă și când transportați trimmerul dinspre și înspre zona de utilizare.
- Nu utilizați niciodată trimmerul fără apărători sau cu acestea montate greșit.
- Nu schimbați setările regulatorului de motor și nu îl supraturați motorul.
- Porniți motorul cu atenție, în conformitate cu instrucțiunile și ținând picioarele la distanță de lamă(e).
- Nu porniți motorul dacă în fața lamei(elor) se află cineva.
- Nu vă amplasați niciodată mâinile sau picioarele în apropiere sau sub părțile rotative.
- Întotdeauna opriți motorul și deconectați-l de la acumulator:
  - 1) Înainte de eliminarea blocajelor;
  - 2) Înainte de verificarea, curățarea sau orice intervenție adusă lamei(elor);
  - 3) După lovirea unui obiect străin: Verificați lama(ele) pentru depistarea avariilor și efectuați reparațiile necesare înainte de a reporni și utiliza trimmerul;



- 4) Dacă trimmerul începe să vibreze anormal (verificați imediat).
- Opriti motorul de fiecare dată când plecați de lângă trimmer;
  - Nu încărcați setul de acumulatori în condiții de ploaie sau de umezeală.
  - Utilizați numai seturi de acumulatori și încărcătorii de mai jos:

SET DE ACUMULATORI	ÎNCĂRCĂTOR
BA1120E, BA2240E, BA2800,	CH2100E
BA3360, BA4200	CH5500E

- Setul de acumulatori trebuie scos din aparat înainte de eliminarea acestuia.
- Acumulatorul trebuie eliminat într-un mod nepericulos.
- Nu eliminați acumulatorii aruncându-i în foc. Celulele riscă să explodeze. Verificați normele locale privind eventualele instrucțiuni speciale de eliminare.
- Nu desfaceți sau să mutilați acumulatorul. Electrolitul eliberat este coroziv și poate afecta ochii și pielea. Acesta poate fi toxic dacă este înghițit.
- Atenție când manevrați acumulatori pentru a scurtcircuita acumulatorul cu materiale conductoare precum inele, brățări și chei. Acumulatorul sau conductorul se pot supraîncălzi și cauza arsuri.
- Sculele electrice alimentate cu baterii nu trebuie să fie racordate la o priză electrică, de aceea, acestea sunt întotdeauna în stare de funcționare. Atenție la eventualele riscuri chiar și când scula nu este în funcțiune. Aveți grijă când efectuați operații de întreținere sau de service.
- Nu spălați trimmerul cu furtunul de grădină; evitați pătrunderea apei în motor și în conexiunile electrice.

#### Întreținerea și depozitarea

- Mențineți strânse toate piulițele și șuruburile, pentru a fi siguri că aparatul este în stare bună de funcționare.
- Înlocuiți piesele uzate sau defecte.
- Nu încercați să reparați dumneavoastră trimmerul decât dacă aveți competențele necesare.
- Utilizați numai piese de schimb și accesorii recomandate de către fabricant.
- Deconectați mașina de la acumulator înainte de a efectua operațiuni de întreținere sau de a-l curăța.
- Inspectați și efectuați întreținerea mașinii cu regularitate. Dați aparatul la reparat numai unui reparator autorizat.
- Când nu este utilizată, nu lăsați mașina la îndemâna copiilor.

- În cazul situațiilor care nu sunt adresate în acest manual, utilizați grijă și raționament. Contactați centrul de service EGO pentru asistență.
- Păstrați aceste instrucțiuni. Consultați-le frecvent și utilizați-le pentru a instrui alte persoane care ar putea utiliza această sculă electrică. Dacă împrumutați cuiva această sculă, împrumutați-i și aceste instrucțiuni pentru a preveni utilizarea inadecvată a produsului și posibile răni.

#### PĂSTRAȚI ACESTE INSTRUCȚIUNI!

**NOTĂ: CONSULTAȚI MANUALUL DE INSTRUCȚIUNI AL CAPULUI DE ALIMENTARE PENTRU REGULI SUPPLEMENTARE DE SIGURANȚĂ SPECIFICE**

## SPECIFICAȚII

Lungime lamă	20 cm	
Adâncime de tăiere	Până la 75 mm	
Greutate	2,26 kg	
Nivel de putere sonoră măsurat $L_{WA}$	92,4 dB(A) K=2,07 dB(A)	
Max. Nivel de presiune sonoră la urechea operatorului $L_{PA}$	79,8 dB(A) K=3 dB(A)	
Nivel de putere sonoră garantată $L_{WA}$ (conform 2000/14/CE)	95 dB(A)	
Vibrații $a_h$	Mâner frontal de operare	1,2 m/s <sup>2</sup> K=1,5 m/s <sup>2</sup>
	Mâner posterior	2,2 m/s <sup>2</sup> K=1,5 m/s <sup>2</sup>

- Parametrii de mai sus sunt testați și măsurați când scula este echipată cu capul de alimentare PH1400E;
- Valoarea totală declarată a vibrațiilor a fost măsurată în conformitate cu o metodă standard de testare și poate fi utilizată pentru compararea sculelor între ele;
- Valoarea totală declarată poate fi utilizată în evaluarea preliminară a expunerii.

**OBSERVAȚIE:** Vibrațiile emise în timpul utilizării efective a sculei electrice pot diferi față de valoarea celor declarate pentru scula utilizată; Pentru protejarea operatorului, utilizatorul trebuie să poarte mănuși și protecții auditive în timpul utilizării efective a produsului.

**RO**

## CONȚINUTUL AMBALAJULUI

DENUMIRE PIESĂ	CANTITATE
Accesoriu trimmer de profilat margini	1
Cheie hexagonală	1
Cheie multifuncțională	1
Cui spintecat	2
Manual de instrucțiuni	1

### Lamă recomandată

DENUMIRE PIESĂ	NUMĂR MODEL
Lamă trimmer de profilat margini	AEB0800

## DESCRIERE

### PREZENTAREA DISPOZITIVULUI DUMNEAVOASTRĂ DE PROFILAT MARGINI (Fig. A)

1. Dop
2. Tijă trimmer de profilat margini
3. Apărătoare lamă
4. Lamă
5. Buton de reglare a adâncimii
6. Roată de ghidare
7. Cheie hexagonală
8. Cheie multifuncțională
9. Interval de ghidare pentru reglarea adâncimii
10. Clapă de resturi
11. Cui spintecat
12. Șurub de fixare a plăcii de ghidare
13. Placă de ghidare

## ASAMBLAREA

**⚠️ AVERTISMENT:** În caz de piese avariate sau care lipsesc, nu utilizați acest produs dacă piesele nu sunt înlocuite. Utilizarea acestui produs cu piese avariate sau lipsă poate rezulta în vătămări personale grave.

**⚠️ AVERTISMENT:** Nu încercați să modificați acest produs sau să creați accesorii nerecomandate pentru acest trimmer cu fir. Orice alterare sau modificare este considerată utilizare greșită și poate duce la condiții periculoase ce pot rezulta în vătămări personale grave.

**⚠️ AVERTISMENT:** Nu ajustați apărătoarea lamei. Apărătoarea lamei a fost setată din fabrică astfel încât săgeata de pe apărătoarea lamei și partea deschisă să nu fie îndreptate înspre utilizator. Astfel se asigură că resturile tăiate și alte reziduuri sunt direcționate în partea opusă sculei și a utilizatorului.

### CONECTAREA DISPOZITIVULUI DE PROFILAT MARGINI LA CAPUL DE ALIMENTARE

Acest dispozitiv de profilat margini este conceput pentru a fi utilizat cu Capul de alimentare EGO 56V cu acumulator de Litiu-ion PH1400E.

Consultați secțiunea privind "INSTALAREA UNUI DISPOZITIV DE PROFILAT MARGINI LA CAPUL DE ALIMENTARE" din manualul de instrucțiuni al capului de alimentare PH1400E.

## FUNȚIONAREA

**⚠️ AVERTISMENT:** Nu permiteți ca familiarizarea cu acest produs să vă facă neglijent. Amintiți-vă că o fracțiune de secundă de neglijență este suficientă pentru a provoca vătămări grave.

**⚠️ AVERTISMENT:** Purtați întotdeauna ochelari de protecție cu apărători laterale. Împreună cu protecții auditive. Nerespectarea acestei instrucțiuni ar putea avea ca rezultat proiectarea în ochi a obiectelor și alte posibile vătămări grave.

### APLICAȚII

Puteți utiliza acest produs în scopul menționat mai jos:

- Profilarea marginilor în jurul aleilor, demarcarea rondourilor de flori și alte suprafețe similare.

**OBSERVAȚIE:** Scula trebuie utilizată numai în scopul pentru care a fost proiectată. Orice altă utilizare este considerată a fi caz de utilizare necorespunzătoare.

### Înainte de fiecare utilizări, verificați pentru depistarea pieselor uzate/avariate.

Verificați capul cu bobina, apărătoarea și mânerul frontal de operare și înlocuiți piesele care sunt fisurate distorsionate, îndoite sau avariate în vreun fel.

**⚠️ AVERTISMENT:** Pentru prevenirea rănilor personale grave, scoateți setul de acumulatori din sculă înainte de a depana, curăța, înlocui accesoriile sau de a îndepărta materialul din produs.

### UTILIZAREA DISPOZITIVULUI DE PROFILAT MARGINI CU CAPUL DE ALIMENTARE

**⚠️ AVERTISMENT:** Îmbrăcați-vă corespunzător pentru a reduce riscul de rănire când utilizați această sculă. Nu purtați haine largi sau bijuterii. Purtați echipament de protecție/oculari și auditiv/pentru urechi. Purtați pantaloni lungi rezistenți, cizme și mănuși. Nu purtați pantaloni scurți, sandale sau să stați desculți. Purtați mască de față sau mască de praf în locurile cu praf.

**⚠️ AVERTISMENT:** Îndepărtați toate obstacolele și obiectele solide din zona de lucru.

Pentru o utilizare mai sigură și mai bună, așezați-vă pe umăr cureaua de umăr. Reglați curea de umăr într-o poziție confortabilă de lucru.

Țineți trimmerul cu mâna dreaptă pe mânerul posterior și cu mâna stângă pe mânerul frontal. Apucați ferm cu ambele mâini în timpul utilizării sculei. Trimmerul de profilat margini trebuie menținut într-o poziție confortabilă cu mânerul posterior aproximativ la înălțimea șoldului (Fig. B).

**AVERTISMENT:** Cureaua de umăr este și un mecanism rapid de detașare în situații periculoase. În caz de urgență, îndepărtați imediat cureaua de pe umăr, indiferent de modul de instalare al curelei.

### După fiecare utilizare, curățați trimmerul.

Consultați secțiunea ÎNTREȚINEREA pentru instrucțiuni privind curățarea.

### AJUSTAREA ADÂNCIMII DE TĂIERE

1. Opriți motorul și scoateți setul de acumulatori.
2. Slăbiți butonul de ajustare a adâncimii în direcția săgeții de deblocare marcată pe buton (Fig. C).
3. Deplasați roata de ghidare împreună cu bara de ghidare pentru ajustarea adâncimii, în sus pentru creșterea adâncimii de tăiere sau în jos pentru descreșterea adâncimii (Fig. D).
4. Ajustați roata de ghidare astfel încât lama de abia să atingă solul sau să pătrundă în suprafața solului maxim 5mm (Fig. E), după care strângeți-o bine.
5. Stând în poziția normală de lucru, verificați din nou adâncimea de tăiere și corectați-o dacă este nevoie.

### PORNIREA/OPRIREA SCULEI

Consultați secțiunea privind “ PORNIREA/OPRIREA CAPULUI DE ALIMENTARE ” din manualul de instrucțiuni al capului de alimentare PH1400E.

### SFATURI PRIVIND UTILIZAREA

- Țineți și ghidați capul de alimentare astfel încât lama să fie verticală. Utilizați linia de vizare pentru a alinia lama cu marginea stratului (Fig. F).
- Nu lucrați la o viteză mai mare decât cea de mers. Dacă lama începe să se înfunde, înseamnă că tăiați prea repede; încetiniți-vă ritmul.
- Întotdeauna deplasați-vă înainte când tăiați și deplasați trimmerul înainte. Nu trageți trimmerul înapre dumneavoastră.
- Nu forțați lama în sol. Contactul ușor dintre lamă și marginea trotuarului, curbei, etc, este acceptabilă și nu va avaria trimmerul.
- Cele mai bune rezultate sunt obținute când iarba este uscată. Evitați profilarea în solul umed sau zonele cu iarbă udă deoarece apărătoria de lamă riscă să se înfunde rezultând un profil neuniform. Dacă lama se înfundă, opriți motorul, detașați setul de acumulatori și îndepărtați resturile de pe apărătoria lamei.

### ÎNȚEȚINEREA

**⚠️ AVERTISMENT:** Înainte de a inspecta, curăța sau de efectua operațiuni de service asupra aparatului, opriți motorul, asigurați-vă că toate componentele mobile sunt oprite și îndepărtați setul de acumulatori dacă este nevoie. Nerespectarea acestor instrucțiuni se poate solda cu vătămări corporale grave sau distrugerea bunurilor.

**⚠️ AVERTISMENT:** Când efectuați operații de service, utilizați doar piese de schimb identice. Utilizarea oricăror altor piese poate crea un pericol sau poate produce o deteriorare. Pentru siguranța și fiabilitatea produsului, toate reparațiile ar trebui efectuate de către un tehnician de service autorizat.

### ÎNȚEȚINERE GENERALĂ

Evitați utilizarea solvenților când curățați piese din plastic. Majoritatea pieselor din plastic sunt susceptibile să se deterioreze de la diverse tipuri de solvenți comerciali și se pot defecta prin utilizarea acestora. Utilizați cârpe curate pentru a îndepărta murdăria, praful, uleiul, vaselina etc.

## CURĂȚAREA PRODUSULUI

- După fiecare utilizare, curățați, solul acumulat sau lama de pe lamă și de pe apărătoare, utilizând o perie moale. Ștergeți suprafața trimmerului cu o cârpă curată, umezită cu o soluție ce conține un detergent slab.
- Utilizați o perie mică sau fanta de aer cu perie a unui aspirator mic pentru a curăța fantele de aerisire de obstrucții de pe carcasa posterioară.

**OBSERVAȚIE:** Nu utilizați detergenți puternici pe carcasa de plastic sau pe mâner. Acestea pot fi deteriorarea de anumite uleiuri parfumate precum molid și lămâie.

## ÎNLOCUIREA LAMEI

**⚠️ AVERTISMENT:** Nu încercați să îndreptați sau să sudați o lamă îndoită sau fisurată - aceasta riscă să se rupă - va trebui înlocuită. Vă recomandăm să înlocuiți lama trimmerului numai cu o lamă de trimmer EGO, consultați secțiunea "**Lama recomandată**".

**OBSERVAȚIE:** Înlocuiți lama dacă lungimea acesteia este insuficientă pentru a menține distanța necesară față de sol și obține adâncimea de tăiere necesară.

**⚠️ AVERTISMENT:** Întotdeauna protejați-vă mâinile purtând mănuși rezistente sau înfășurând lama cu cârpe sau alte materiale când efectuați orice operație de întreținere asupra lamei de tăiere a trimmerului.

### Îndepărtarea lamei

1. Oprii motorul și scoateți setul de acumulatori.
2. Poziționați trimmerul de profilat margini pe spate astfel încât lama să fie îndreptată în sus.
3. Purtați mănuși de protecție Utilizați un clește cu cioc lung (neinclus) pentru a îndepărta cuiul spintecat din axul motorului (Fig. G).
4. Rotiți lama pentru a alinia canelura din flanșă cu orificiul din carcasa cutiei de viteze (Fig. G).

Fig. W pentru descrierea pieselor consultați tabelul de mai jos:

G-1	Cui spintecat
G-2	Flanșă interioară
G-3	Carcasă cutie de viteze

5. Introduceți cheia hexagonală în orificiile aliniate pentru a se comporta ca un stabilizator. Utilizați cheia multifuncțională furnizată pentru a slăbi piulița **ÎN SENSUL ACELOR DE CEAS** (Fig. H).
6. Îndepărtați piulița, flanșa exterioară, lama și flanșa interioară de pe axul motorului (Fig. I). Verificați-le și înlocuiți-le dacă sunt uzate.

Fig. I pentru descrierea pieselor consultați tabelul de mai jos:

I-1	Ax motor	I-5	Lamă
I-2	Flanșă interioară	I-6	Flanșă exterioară
I-3	Canelură în flanșă interioară	I-7	Piuliță
I-4	Proeminență pe flanșă interioară	I-8	Cui spintecat interioară

### Instalarea lamei

1. Poziționați flanșa interioară pe axul motorului cu proeminența îndreptată înspre exterior (Fig. I).
2. Instalați o nouă lamă pe flanșa interioară, asigurându-vă că lama este montată în siguranță la locul ei (Fig. J).
3. Instalați flanșa exterioară, iar apoi piulița pe ax, și strângeți piulița **ÎN SENS INVERS ACELOR DE CEAS** cu mâna.
4. Urmați pașii de mai sus 4 & 5 din secțiunea "Îndepărtarea lamei" pentru a stabiliza lama și a strânge bine piulița **ÎN SENS INVERS ACELOR DE CEAS**.
5. Introduceți un nou cui spintecat în orificiul din axul motorului. Îndoiiți cele două piciorușe ale cuiului în direcții opuse cu ajutorul deștelui cu cioc lung (neinclus) (Fig. G).

### ÎNLOCUIREA ROȚII DE GHIDARE

1. Oprii motorul și scoateți setul de acumulatori.
2. Poziționați trimmerul de profilat margini pe spate astfel încât roata de ghidare să fie îndreptată în sus.
3. Slăbiți butonul de ajustare a adâncimii în direcția săgeții de deblocare marcată pe buton și îndepărtați-l.
4. Îndepărtați șaiba elastică, șaiba normală 1, roata de ghidare, bucușă și șaiba normală 2 de pe tija cu filet (Fig. K). Verificați-le și înlocuiți-le dacă sunt uzate.
5. Montați mai întâi tija cu filet prin intervalul de ghidare pentru reglarea adâncimii, după care șaiba normală 2, bucușă și roata nouă, după care montați șaiba normală 1, șaiba elastică și butonul de reglare a adâncimii pe tija cu filet în ordinea descrisă în Fig. K.

Fig. K pentru descrierea pieselor consultați tabelul de mai jos:

K-1	Buton de reglare a adâncimii	K-5	Bucușă
K-2	Șaibă elastică	K-6	Șaibă normală 2
K-3	Șaibă normală 1	K-7	Tijă cu filet
K-4	Roată de ghidare	K-8	Interval de ghidare pentru reglarea adâncimii

**OBSERVAȚIE:** Roata de ghidare trebuie montată cu nervurile roții îndreptate înspre interior (Fig. L).

Fig. L pentru descrierea pieselor consultați tabelul de mai jos:

L-1	Șuruburi	L-3	Clapă de resturi
L-2	Nervură roată	L-4	Plăcuță de prindere

6. Blocați butonul de ajustare al adâncimii.

### ÎNLOCUIREA CLAPEI DE RESTURI (Fig. L)

1. Opriți motorul și scoateți setul de acumulatori.
2. Utilizați cheia hexagonală furnizată pentru a slăbi cele două șuruburi.
3. Îndepărtați șuruburile, plăcuța de fixare și clapa de resturi.
4. Înclocuiți clapa cu una nouă și blocați-o cu plăcuța de fixare și cu cele două șuruburi.

### VERIFICAREA ȘI ÎNLOCUIREA APĂRĂTORII ANTI UZURĂ/PLĂCUII DE GHIDARE (Fig. M)

Verificați apărătoarea anti uzură și plăcuța de ghidare pentru depistarea deteriorărilor înainte de a pune în funcțiune scula. Apărătoarea anti uzură trebuie înlocuită imediat după ce carcasa cutiei de viteze devine vizibilă.

**OBSERVAȚIE:** Carcasa cutiei de viteze poate fi grav avariată dacă nu înlocuiți imediat apărătoarea de protecție anti-uzură când carcasa cutiei de viteze devine vizibilă.

1. Opriți motorul și scoateți setul de acumulatori.
2. Purtați mănuși de protecție. Rotiți lama după cum este nevoie pentru a expune cele două șuruburi.
3. Utilizați cheia hexagonală furnizată pentru a slăbi și îndepărta cele două șuruburi.

**OBSERVAȚIE:** Dacă nu trebuie decât să înlocuiți plăcuța de ghidare, slăbiți și îndepărtați numai șurubul 1.

4. Îndepărtați apărătoarea anti-uzură/plăcuța de ghidare uzată.
5. Instalați noua apărătoare anti-uzură și plăcuța de ghidare pe carcasa cutiei de viteze și blocați-le cu două șuruburi.

Fig. M pentru descrierea pieselor consultați tabelul de mai jos:

M-1	Șurub 1	M-4	Apărătoare anti-uzură
M-2	Plăcuță de ghidare	M-5	Orificii de montare
M-3	Șurub 2	M-6	Carcasă cutie de viteze

### ÎNDEPĂRTAREA PLĂCUII DE GHIDARE

Dacă aveți experiență cu acest tip de trimmer de profilat margini sau dacă vi se pare că plăcuța de ghidare vă împiedică să profilați marginile, puteți îndepărta plăcuța de ghidare.

1. Slăbiți și îndepărtați șurubul 1.
2. Îndepărtați plăcuța de ghidare.
3. Înclocuiți și strângeți șurubul 1.

### LUBRIFIEREA ANGRENAJELOR DE TRANSMISIE

Angrenajele de transmisie din carcasa cutiei de viteze trebuie lubrifiate periodic cu unsoare pentru angrenaje. Verificați nivelul unsoarei din carcasa cutiei de viteze la fiecare 50 de ore de utilizare îndepărtând șurubul de etanșeizare de pe latura carcasei.

Dacă pe laturile angrenajului nu se vede unsoare, urmați pașii de mai jos pentru a umple cu unsoare de angrenaj 3/4 din capacitate.

Nu umpleți complet angrenajele de transmisie.

1. Poziționați trimmerul vertical, astfel încât șurubul de etanșeizare este îndreptat în sus (Fig. N).
2. Utilizați cheia hexagonală furnizată pentru a slăbi și îndepărta șurubul de etanșeizare. Utilizați o seringă (neinclusă) pentru a injecta o cantitate de unsoare în orificiul șurubului; nu depășiți 3/4 din capacitate.
3. După injectare, strângeți șurubul de etanșeizare.

### DEPOZITAREA PRODUSULUI

- Detașați setul de acumulatori de pe trimmer.
- Curățați scula bine înainte de a o depozita.
- Dacă dispozitivul de profilat margini este detașat de capul de alimentare și depozitat separat, instalați dopul pe tija dispozitivului pentru a se evita pătrunderea murdăriei în cuplaj.
- Depozitați aparatul într-un loc uscat, bine aerisit, închis cu cheia sau la înălțime, în care copiii nu au acces. Nu depozitați produsul pe sau lângă fertilizanți, benzină sau alte chimicale.

**RO**

## Protejarea mediului înconjurător



Nu eliminați echipamentul electric, încărcătorul de acumulatori și bateriile/acumulatorii împreună cu deșeurile menajere!

Conform Directivei europene 2012/19/UE, sculele echipamentele electrice și electronice care nu mai sunt utilizabile, și conform Directivei europene 2006/66/CE, seturile de acumulatori/bateriile defecte sau uzate trebuie colectate separat.

Dacă aparatele electrice sunt aruncate la groapa de gunoi sau la haldă, se pot scurge substanțe periculoase în pânza freatică și acestea pot intra în lanțul trofic, afectându-vă sănătatea și bunăstarea

## DECLARAȚIE DE CONFORMITATE CE

Noi, EGO EUROPE GMBH

Wahlwiesenstrasse 1, D-71711 Steinheim an der Murr  
Deutschland

Declarăm că produsul Accesoriu **Dispozitiv de profilat margini EA0800 de 56V cu acumulator de litiu-ion**, echipat cu cap de alimentare PH1400E

Correspunde cerințelor esențiale de sănătate și securitate stipulate în următoarele Directive:

2006/42/CE, 2014/30/UE, 2011/65/UE, 2000/14/CE

Standarde și specificații tehnice la care se face referință:

EN 60745-1, ISO 11789-1, EN 55014-1, EN 55014-2

Nivel de putere acustică măsurat: 92,4 dB(A).

Nivel de putere acustică garantat: 95 dB(A).

Peter Melrose  
Director general EGO Europe GmbH

Dong Jianxun  
Manager al calității la Chervon

\*(Reprezentat autorizat CHERVON și responsabil pentru documentația tehnică)

01/12/2016

## GHID DE DEPANARE

PROBLEMĂ	CAUZĂ	SOLUȚIE
Motorul nu pornește	<ul style="list-style-type: none"> <li>■ Setul de acumulatori nu este atașat de capul de alimentare.</li> <li>■ Nu există contact electric între capul de alimentare și setul de acumulatori.</li> <li>■ Setul de acumulatori este descărcat.</li> <li>■ Buton de blocare și trăgaciul nu sunt apăstate simultan.</li> </ul>	<ul style="list-style-type: none"> <li>■ Atașați setul de acumulatori de capul de alimentare.</li> <li>■ Îndepărtați acumulatorul, verificați contactele și reinstalați setul de acumulatori până când acesta se anclanșează în poziție.</li> <li>■ Încărcați acest set de acumulatori cu încărcătorii EGO menționați în acest manual.</li> <li>■ Apăsăți în jos maneta de blocare și țineți-o apăsată, după care apăsați trăgaciul declanșator pentru a porni trimmerul.</li> </ul>
Capul de alimentare se oprește în timpul funcționării.	<ul style="list-style-type: none"> <li>■ Motorul este suprasolicitat.</li> <li>■ Setul de acumulatori sau capul de alimentare sunt prea fierbinți.</li> <li>■ Setul de acumulatori este deconectat de la sculă.</li> <li>■ Setul de acumulatori este descărcat.</li> </ul>	<ul style="list-style-type: none"> <li>■ Motorul își va reveni după ce sarcina este îndepărtată. Pentru lucru continuu, diminueați sarcina capului de alimentare.</li> <li>■ Lăsați setul de acumulatori sau capul de alimentare să se răcească până când temperatura scade sub 67°C (152°F).</li> <li>■ Reinstalați setul de acumulatori.</li> <li>■ Încărcați acest set de acumulatori cu încărcătorii EGO menționați în acest manual.</li> </ul>
Profil neuniform	<ul style="list-style-type: none"> <li>■ Iarba sau solul sunt prea ude.</li> <li>■ Apărătoarea lamei este înfundată.</li> </ul>	<ul style="list-style-type: none"> <li>■ Evitați utilizarea trimmerului pe sol umed sau iarbă udă.</li> <li>■ Oprii motorul, detașați setul de acumulatori și îndepărtați resturile de pe apărătoarea lamei.</li> </ul>

**RO**

## GARANȚIA

### POLITICA DE GARANȚIE EGO

Vă rugăm consultați website-ul [egopowerplus.com](http://egopowerplus.com) pentru termenii și condițiile complete ale politicii de garanție EGO.

## PREBERITE VSA NAVODILA!



**PREBERITE PRIROČNIK Z NAVODILI ZA UPORABO**

**⚠️ Preostalo tveganje!** Pred uporabo izdelka se morajo osebe z elektronskimi napravami, kot je srčni spodbujevalnik, posvetovati s svojim zdravnikom. Delovanje električne opreme v bližini srčnega spodbujevalnika lahko povzroči motnje ali okvaro srčnega spodbujevalnika.

**⚠️ OPOZORILO:** Za zagotovitev varnosti in zanesljivosti mora vsa popravila izvesti usposobljen serviser.

## VARNOSTNI SIMBOLI

Namen varnostnih simbolov je, da pritegnejo vašo pozornost na morebitne nevarnosti. Varnostni simboli in njihova pojasnila si zaslužijo vašo pozornost in razumevanje. Opozorilni simboli sami ne odpravljajo nobene nevarnosti. Navodila in opozorila niso nadomestilo za ustrezne ukrepe za preprečevanje nesreč.

**⚠️ OPOZORILO:** Poskrbite, da boste pred uporabo orodja prebrali in razumeli vsa varnostna navodila v priročniku z navodili za uporabo, vključno z vsemi simboli za varnostna opozorila, kot so »NEVARNOST«, »OPOZORILO«, in »SVARILO«. Neupoštevanje spodaj navedenih navodil se lahko odrazi v električnem udaru, požaru in/ali resnih telesnih poškodbah.

## POMEN SIMBOLOV

**⚠️ SIMBOL VARNOSTNEGA OPOZORILA:** Nakazuje NEVARNOST, OPOZORILO ali SVARILO. Uporablja se lahko skupaj z drugimi simboli ali piktogrami.

**⚠️ OPOZORILO:** Delovanje katerega koli električnega orodja lahko povzroči metanje tujkov v vaše oči, kar lahko povzroči resne poškodbe očesa. Pred začetkom dela z električnim orodjem vedno nosite zaščitna očala ali varnostna očala s stranskimi zaščitami in kadar je treba tudi ščit za celoten obraz. Priporočamo vam uporabo varnostne maske Wide Vision Safety Mask za uporabo preko očal ali standardnih varnostnih očal s stransko zaščito.

## VARNOSTNA NAVODILA

Na tej strani so prikazani in opisani varnostni simboli, ki se lahko pojavijo na tem izdelku. Preberite, osvojite in sledite navodilom na stroju preden ga boste poskušali sestaviti in upravljati.

	Varnostno opozorilo	Označuje potencialno nevarnost telesnih poškodb.
	Preberite priročnik z navodili za uporabo	Za zmanjšanje nevarnosti poškodb je pomembno, da si uporabnik pred uporabo naprave prebere uporabniški priročnik.
	Nosite zaščito za ušesa in oči	Pri upravljanju tega izdelka vedno nosite zaščitna očala ali varnostna očala s stransko zaščito in zaščito za celoten obraz.
	Opazovalci naj bodo na varni razdalji od stroja	Poskrbite, da bodo drugi ljudje in hišni ljubljenci dovolj stran od obrezovalnika robov, ko je ta v uporabi.
	Smer vrtenja rezila obrezovalnika robov	Kaže smer vrtenja rezila obrezovalnika robov.
	Izvrženi predmeti	Površino, na kateri boste uporabljali orodje, temeljito pregledajte in odstranite vse kamne, palice, žice, kosti in druge tujke.
	Vrtljivo rezilo	Roke in stopala držite stran od vrtečih se delov.
	Ne izpostavljajte dežju	Naprave ne uporabljajte v dežju ali je puščajte zunaj, ko dežuje.
	CE	Ta izdelek je v skladu z veljavnimi direktivami ES.
	Odpadna električna in elektronska oprema (OEEO)	Odpadnih električnih izdelkov se ne sme odlagati med gospodinjske odpadke. Odnosite jih k pooblaščenemu izvajalcu postopka recikliranja.



	Hrup	Zajamčena raven zvočnega tlaka. Emisije hrupa v okolico so v skladu z direktivo Evropske skupnosti.
V	Volt	Napetost
mm	Milimeter	Dolžina ali velikost
cm	Centimeter	Dolžina ali velikost
kg	Kilogram	Teža
	Enosmerni tok	Vrsta ali značilnost toka

### POMEMBNA VARNOSTNA NAVODILA

**⚠ OPOZORILO:** Pri uporabi kosilnic z nitko morate vedno upoštevati osnovne previdnostne ukrepe, saj le tako lahko zmanjšate nevarnost požara, električnega udara, opeklin in telesnih poškodb, vključno s sledečim:

### PRED UPORABO NATANČNO PREBERITE.

### SHRANITE ZA PRIHODNJO UPORABO.

**⚠ NEVARNOST:** Ne zanašajte se na izolacijo orodja za zaščito pred električnim udarom. Da zmanjšate nevarnost električnega udara, stroja nikoli ne upravljajte v bližini žic in kablov (napajanje itd.), ki so lahko pod napetostjo.

**⚠ SVARILO:** Med uporabo nosite primerno zaščito za sluh. Pod nekaterimi pogoji in dolžino uporabe lahko ta izdelek prispeva k izgubi sluha.

### URJENJE

- Pazljivo preberite navodila. Seznanite se s kontrolami in pravilno uporabo naprave.
- Naprave nikoli ne smejo uporabljati otroci ali osebe, ki s to napravo niso seznanjene. Krajevni predpisi lahko omejujejo starostno mejo upravljavcev.
- Ne obrezujte robov, če so v bližini ljudje, zlasti otroci, ali domače živali.
- Zapomnite si, da je uporabnik ali upravljavec odgovoren za vse nesreče ali nevarnosti, ki bi se lahko zgodile prisotnim ali njihovi lastnini.

### PRIPRAVA

- Med obrezovanjem robov vedno nosite zaščito za oči in ušesa, robustno obutev in dolge hlače.
- Površino, na kateri boste uporabljali opremo, temeljito pregledjte in odstranite vse kamne, palice, žice, kosti in druge tujke.

- Pred uporabo napravo pregledjte za obrabo ali poškodbe rezil, vijaka rezila in sklopa rezila. Obrabljena ali poškodovana rezila in vijake zamenjajte hkrati, da ohranite uravnoteženost naprave.

### Delovanje

- Obrezujte le podnevi ali ob dobri umetni svetlobi.
- Pri uporabi na pobočjih vedno pazite na ravnotežje.
- Hodite, nikoli ne tecite.
- Pri premikanju nazaj ali vlečenju obrezovalnika proti sebi bodite izjemno previdni.
- Pred prečkanjem površin, razen trave, in med transportom obrezovalnika robov na površino za obrezovanje ali z nje se prepričajte, da se rezilo ne vrti.
- Obrezovalnika nikoli ne uporabljajte z okvarjenimi, manjkajočimi ali nepravilno nameščenimi rezili.
- Ne spreminjajte nastavitve krmilnika motorja ali prekoračite hitrosti motorja.
- Motor zaženite previdno v skladu z navodili in s stopali dovolj odmaknjenimi od rezila.
- Motorja ne zaženite, če pred rezili stoji druga oseba.
- Roke in stopala držite stran od vrtečih se delov.
- Vedno izklopite motor in odklopite baterije:
  - 1) pred čiščenjem zagozd;
  - 2) pred pregledom, čiščenjem rezil ali delom z njimi;
  - 3) po tem, ko zadenete ob tujek: pregledjte rezilo za poškodbe in jih odpravite pred ponovnim zagonom ter upravljanjem obrezovalnika;
  - 4) če obrezovalnik začne nenormalno vibrirati (preverite takoj).

- Motor zaustavite vedno, ko zapustite obrezovalnik.
- Baterijskega sklopa ne polnite v dežju ali na vlažnih mestih.
- Napravo uporabljajte le z baterijskimi sklopi in polnilniki, navedenimi spodaj.

BATERIJSKI SKLOP	POLNILNIK
BA1120E, BA2240E, BA2800, BA3360, BA4200	CH2100E CH5500E

- Preden napravo zavržete, morate iz nje odstraniti baterijski sklop.
- Baterijo morate varno odvreči.
- Baterije ne odstranite v ogenj. Celice lahko eksplodirajo. Preverite lokalne predpise za morebitna posebna navodila glede odstranjevanja.
- Baterije ne odpirajte ali poškodujte. Sproščeni elektroliti so korozivni in lahko poškodujejo oči ali kožo. Lahko so strupeni, če jih zaužijete.

**SL**

- Pri ravnanju z baterijami bodite previdni in pazite, da ne povzročite kratkega stika s prevodnimi materiali, kot so prstani, zapestnice in ključi. Baterija ali prevodnik se lahko pregrejeta in povzročite opekline.
- Baterijskih orodij ni potrebno vključiti v električno vtičnico, zato so vedno v stanju delovanja. Zavedajte se mogočih nevarnosti tudi, ko orodje ne deluje. Bodite previdni pri vzdrževanju ali servisiranju.
- Naprave ne umivajte s cevjo. Voda naj ne pride v motor ali električne priključke.

### Vzdrževanje in shranjevanje

- Vse matice in vijaki naj bodo trdno priviti, da boste zagotovili varno delovno stanje opreme.
- Izrabljene ali poškodovane dele zamenjajte.
- Ne poskušajte popraviti stroja, če se ne počutite dovolj usposobljeni.
- Uporabljajte samo nadomestne dele in dodatke, ki jih priporoča proizvajalec.
- Pred začetkom vzdrževalnih del ali čiščenja stroj odklopite z baterije.
- Stroj redno preverjajte in vzdržujte. Stroj naj popravlja le pooblaščen serviser.
- Ko ni v uporabi, stroj pospravite izven dosega otrok.
- Če pride do situacij, ki niso zajete v tem priročniku, bodite pazljivi in uporabite dobro presojo. Za pomoč stopite v stik servisnim centrom EGO.
- Ta navodila shranite. Pogosto jih preberite in jih uporabite za poučevanje ostalih, ki uporabljajo to orodje. Če to orodje komu posodite, mu posodite tudi ta navodila, da preprečite nepravilno uporabo izdelka in morebitne poškodbe.

### TA NAVODILA SHRANITE!

**OPOMBA: DODATNA SPECIFIČNA VARNOSTNA PRAVILA NAJDETE V PRIROČNIKU Z NAVODILI POGONSKE ENOTE.**

SL

## TEHNIČNI PODATKI

Dolžina rezila	20 cm	
Globina obrezovanja	Do 75 mm	
Teža	2,26 kg	
Izmerjena raven zvočnega tlaka $L_{WA}$	92,4 dB(A) K=2,07 dB(A)	
Max. Raven zvočnega tlaka v ušesu upravljavca $L_{PA}$	79,8 dB(A) K=3 dB(A)	
Zajamčena raven zvočnega tlaka $L_{WA}$ (glede na 2000/14/EC)	95 dB(A)	
Vibracije $a_h$	Sprednji ročaj za prijem	1,2 m/s <sup>2</sup> K=1,5 m/s <sup>2</sup>
	Zadnji ročaj	2,2 m/s <sup>2</sup> K=1,5 m/s <sup>2</sup>

- Zgornji parametri so preskušeni in izmerjeni z nameščeno pogonsko enoto PH1400E;
- Deklarirana skupna vrednost vibracij je bila izmerjena v skladu s standardno preskusno metodo in se lahko uporabi za medsebojno primerjavo različnih orodij;
- Navedena skupna vrednost vibracij se lahko uporabi za predhodne ocene izpostavljenosti.

**OPOMBA:** Emisije vibracij se lahko med dejansko uporabo električnega orodja razlikujejo od deklarirane vrednosti, pri kateri se orodje uporablja. Z namenom zaščite upravljavca mora uporabnik v dejanskih pogojih uporabe nositi rokavice in zaščito za ušesa.

## SEZNAM PAKIRANJA

IME DELA	KOLIČINA
Obrezovalnik robov	1
Imbus ključ	1
Večnamenski ključ	1
Razcepka	2
Priročnik z navodili za uporabo	1

### Priporočeno rezilo

IME DELA	ŠTEVILKA MODELA
Rezilo obrezovalnika robov	AEB0800

## OPIS

### SPOZNAJTE SVOJ OBREZOVALNIK ROBOV (slika A)

1. Pokrovček
2. Gred obrezovalnika robov
3. Ščitnik rezila
4. Rezilo
5. Gumb za nastavljanje globine
6. Vodilno kolo
7. Imbus ključ
8. Večnamenski ključ
9. Reža za nastavljanje globine
10. Zaščitna zavesica
11. Razcepka
12. Vijak za pričvrstitev vodilne plošče
13. Vodilna plošča

## SESTAVA

**⚠ OPOZORILO:** Če so deli poškodovani ali manjkajo, izdelka ne uporabljajte, dokler deli niso zamenjani. Če ta izdelek uporabljate s poškodovanimi ali manjkajočimi deli, se lahko resno poškodujete.

**⚠ OPOZORILO:** Tega izdelka ne poskušajte spreminjati in ne poskušajte izdelovati dodatkov, ki niso priporočeni za uporabo s to kosilnico z nitko. Vsako tako spreminjanje je zloraba in lahko privede do tveganj, ta pa do hudih telesnih poškodb.

**⚠ OPOZORILO: ne prilagajajte ščitnika rezila.** Ščitnik rezila je tovarniško nastavljen, tako da puščica na ščitniku rezila in odprtem delu kaže stran od upravljavca. To zagotavlja, da so obrezki in drugi ostanki usmerjeni stran od električnega orodja in upravljavca.

### NAMEŠČANJE OBREZOVALNIKA ROBOV NA POGOSKO ENOTO

Ta obrezovalnik je zasnovan za uporabo s 56-voltno litij-ionsko brezžično pogosko enoto EGO PH1400E.

Glejte razdelek »NAMEŠČANJE PRIKLJUČKA NA POGOSKO ENOTO« v priročniku z navodili pogonske enote PH1400E.

## DELOVANJE

**⚠ OPOZORILO:** Četudi se dodobra seznanite s tem izdelkom, pri rokovanju z njim ne postanite nepredvidni. Pomnite, da je brezskrbni delec sekunde dovolj za resno poškodbo.

**⚠ OPOZORILO:** Vedno nosite zaščito za oči, ki ima varovanje tudi s strani. Prav tako nosite zaščito za sluh. Če tega ne storite, vam lahko v oči priletijo predmeti ali pa se lahko zgodijo druge hude poškodbe.

### APLIKACIJE

Ta izdelek lahko uporabljate za naslednje namene:

- Obrezovanje okoli sprehajalnih poti, oblikovanje robov, cvetličnih gred in podobnih površin.

**OPOMBA:** izdelek se lahko uporablja samo za predpisan namen. Kakršna koli druga uporaba se smatra za nepravilno uporabo.

### Pred vsako uporabo napravo pregledajte za poškodovane/obrabljene dele

Preglejte udarno glavo, ščitnik in sprednji ročaj za prijem ter zamenjajte dele, ki so razpokani, zviti, upognjeni ali kakor koli poškodovani.

**⚠ OPOZORILO:** da preprečite resno telesno poškodbo, pred servisiranjem, čiščenjem, zamenjavo priključkov ali odstranjevanjem materiala iz enote odstranite baterijski sklop iz orodja.

### UPORABLJANJE OBREZOVALNIKA ROBOV S POGOSKO ENOTO

**⚠ OPOZORILO:** za upravljanje tega orodja se primerno oblecite, da zmanjšate nevarnost poškodb. Ne nosite ohlapnih oblačil ali nakita. Nosite zaščito za oči in sluh. Nosite robustne dolge hlače, škornje in rokavice. Ne nosite kratkih hlač, sandal ali bodite bos. Na prašnih lokacijah uporabljajte masko za obraz ali protiprašno masko.

**⚠ OPOZORILO:** z delovnega območja odstranite vse ovire in trdne predmete.

Za varno in boljše upravljanje si preko rame nadenite ramenski pas. Ramenski pas nastavite v udoben položaj za upravljanje.

Obrezovalnik robov držite z desno roko na zadnjem ročaju in levo roko na sprednjem ročaju. Med upravljanjem orodje čvrsto držite z obema rokama. Obrezovalnik robov držite v udobnem položaju z zadnjim ročajem približno v višini pasu (slika B).

**⚠ OPOZORILO:** ramenski pas je tudi hiter mehanizem za sprostitev v nevarnih situacijah. V nujnih primerih ga nemudoma snemite z rame, ne glede na to, kako je pas vstavljen.

### Obrezovalnik robov očistite po vsaki uporabi.

Navodila za čiščenje najdete v razdelku »VZDRŽEVANJE«.

SL

## PRILAGAJANJE GLOBINE REZANJA

1. Ustavite motor in odstranite baterijski sklop.
2. Odvijte gumb za nastavitve globine v smeri puščice za odklepanje na gumbu (slika C).
3. Vodilno kolo pomikajte po reži za nastavljanje globine, da povečate ali zmanjšate globino reza (slika D).
4. Vodilno kolo prilagodite tako, da se rezilo komaj dotakne tal ali da zareže v površino tal največ 5 mm (slika E) in nato varno pričvrstite kolo.
5. V običajnem položaju za delo znova preverite globino reza in jo po potrebi prilagodite.

## ZAGON/ZAUSTAVITEV ORODJA

Glejte razdelek »ZAGON/ZAUSTAVITEV POGONSKE ENOTE« v priročniku z navodili pogonske enote PH1400E.

## NASVETI ZA UPORABO

- Pogonsko enoto držite in vodite tako, da je rezilo v navpičnem položaju. S pomočjo vidne črte poravnajte rezilo z robom grede (slika F).
- Obrezovalnika ne uporabljajte pri hitrosti, višji od običajne hoje. Če se rezilo prične zapletati, obrežite prehitro, zato upočasnite hojo.
- Pri obrezovanju vedno hodite naprej in obrezovalnik pomikajte naprej. Obrezovalnika ne vlecite proti sebi.
- Rezila ne potiskajte v tla na silo. Rahel stik rezila z robom pločnika, grede itd. je dovolj in ne bo poškodoval obrezovalnika.
- Rezultati so najboljši, če je trava suha. Izogibajte se obrezovanju, če je zemlja ali trava mokra, saj to lahko zamaši ščitnik rezila in povzroči neenakomeren rob. Če se ščitnik rezila zamaši, zaustavite motor, odstranite baterijski sklop in odstranite ostanke s ščitnika rezila.

## VZDRŽEVANJE

SL

**⚠ OPOZORILO:** pred pregledom, čiščenjem ali popravilom enote zaustavite motor, počakajte, da se zaustavijo vsi premikajoči se deli in odstranite baterijski sklop. Neupoštevanje teh navodil lahko povzroči hude telesne poškodbe ali materialno škodo.

**⚠ OPOZORILO:** Pri servisiranju uporabljajte le identične nadomestne dele. Uporaba drugih delov je tvegana in lahko povzroči škodo na izdelku. Za zagotovitev varnosti in zanesljivosti mora vsa popravila izvesti usposobljen serviser.

## SPLOŠNO VZDRŽEVANJE

Pri čiščenju plastičnih delov se izogibajte uporabi topil. Večina vrst plastike se lahko pri uporabi različnih komercialnih topil poškoduje. Za odstranjevanje prahu, umazanje, olja, masti itd. uporabljajte čiste krpe.

## ČIŠČENJE ENOTE

- Po vsaki uporabi očistite ostanke in zemljo ali travo na rezilu ter ščitniku z mehko krtačo. Površino obrezovalnika robov obrišite s čisto in vlažno krpo ter blago milnico.
- Zračne odprtine v zadnjem delu ohišja očistite z majhno krtačo ali vakuumsko čistilno krtačo.

**OPOMBA:** za čiščenje plastičnega dela ročaja ne uporabljajte močnih čistilnih sredstev. Poškodujejo ga lahko določena aromatična olja, kot sta olje bora in limone.

## MENJAVA REZILA

**⚠ OPOZORILO:** ukrivljenega ali razpokanega rezila ne poskušajte izravnati ali zavariti, saj lahko počī. Morate ga zamenjati. Priporočamo zamenjavo samo z rezili za obrezovalnike robov EGO. Glejte razdelek »Priporočeno rezilo«.

**OPOMBA:** rezilo zamenjajte, če njegova dolžina ne zadostuje za ohranjanje potrebne razdalje do tal in za zagotavljanje potrebne globine reza.

**⚠ OPOZORILO:** med vzdrževanjem rezila obrezovalnika dlani vedno zaščitite z robustnimi rokavicami ali robove rezila ovijte s krpami ali drugim materialom.

## Odstranjevanje rezila

1. Ustavite motor in odstranite baterijski sklop.
2. Obrezovalnik položite na hrbtno stran, da je rezilo obrnjeno navzgor.
3. Uporabljajte zaščitne rokavice. S telefonskimi kleščami (niso priložene) odstranite razcepko iz motorne gredi (slika G).
4. Zavrtite rezilo, da poravnate režo v prirobnici z luknjjo v ohišju zobnikov (slika G).

Slika G: za opis delov glejte spodaj:

G-1	Razcepka
G-2	Notranja prirobnica
G-3	Ohišje zobnikov

5. Priloženi imbus ključ vstavite v poravnani odprtini, da sta pri miru. S priloženim večnamenskim ključem odvijte matico v smeri urinega kazalca (slika H).

6. Odstranite matico, zunanjo prirobnico, rezilo in notranjo prirobnico z motorne gredi (slika I). Če je kateri izmed delov obrabljen, ga zamenjajte.

Slika I: za opis delov glejte spodaj:

I-1	Motorna gred	I-5	Rezilo
I-2	Notranja prirobnica	I-6	Zunanja prirobnica
I-3	Reža v notranji prirobnici	I-7	Matica
I-4	Izboklina na notranji prirobnici	I-8	Razcepka

### Nameščanje rezila

1. Notranjo prirobnico namestite na motorno gred z izboklino obrnjeno navzven (slika I).
2. Novo rezilo namestite na notranjo prirobnico ter poskrbite, da je rezilo varno nameščeno v svoj položaj (slika J).
3. Namestite zunanjo prirobnico in matico na gred ter z roko privijte matico v **NASPROTNI SMERI URINEGA KAZALCA**.
4. Sledite zgornjemu 4. in 5. koraku v razdelku »Odstranjevanje rezila«, da stabilizirate rezilo in varno privijete matico v **NASPROTNI SMERI URINEGA KAZALCA**.
5. Novo priloženo razcepko vstavite v luknjo na motorni gredi. Ukrižite obe nogi razcepke v nasprotnih smereh s telefonskimi kleščami (niso priložene) (slika G).

### ZAMENJAVA VODILNEGA KOLESJA

1. Ustavite motor in odstranite baterijski sklop.
2. Obrezovalnik položite na hrbtno stran, da je vodilno kolo obrnjeno navzgor.
3. Odvijte gumb za nastavitve globine v smeri puščice za odklepanje na gumbu in ga odstranite.
4. Odstranite vzmetno podložko, navadno podložko 1, vodilno kolo, pušo in navadno podložko 2 z vijaka (slika K). Če je kateri izmed delov obrabljen, ga zamenjajte.
5. Skozi režo za nastavljanje globine najprej potisnite vijak in nato navadno podložko 2, pušo in novo kolo. Nato na vijak namestite navadno podložko 1, vzmetno podložko in gumb za nastavitve globine v zaporedju, prikazanem na sliki K.

Slika K: za opis delov glejte spodaj:

K-1	Gumb za nastavljanje globine	K-5	Puša
K-2	Vzmetna podložka	K-6	Navadna podložka 2
K-3	Navadna podložka 1	K-7	Vijak
K-4	Vodilno kolo	K-8	Reža za nastavljanje globine

**OPOMBA:** vodilno kolo mora biti nameščeno tako, da so ploska rebra obrnjena navznoter (slika L).

Slika L: za opis delov glejte spodaj:

L-1	Vijaka	L-3	Zaščitna zavesica
L-2	Plosko rebro	L-4	Pritrdilna plošča

6. Privijte gumb za nastavitve globine.

### ZAMENJAVA ZAŠČITNE ZAVESICE (slika L)

1. Ustavite motor in odstranite baterijski sklop.
2. S priloženim imbus ključem odvijte oba vijaka.
3. Odstranite vijaka, pritrdilno ploščo in obrabljeno zaščitno zavesico.
4. Zavesico zamenjajte z novo in jo pričvrstite s pritrdilno ploščo in dvema vijakoma.

### PREVERJANJE IN ZAMENJAVA ZAŠČITNEGA VAROVALA PROTI OBRABI/VODILNE PLOŠČE (slika M)

Pred zagonom električnega orodja preverite zaščitno varovalo proti obrabi in vodilno ploščo zaradi poškodb. Zaščitno varovalo proti obrabi morate zamenjati takoj, ko ohišje zobnikov postane vidno.

**OPOMBA:** če ne zamenjate zaščitnega varovala proti obrabi takoj, ko ohišje zobnikov postane vidno, lahko pride do hudih poškodb ohišja.

1. Ustavite motor in odstranite baterijski sklop.
2. Uporabljajte zaščitne rokavice. Po potrebi zavrtite rezilo, da se prikažeta vijaka.
3. S priloženim imbus ključem odvijte oba vijaka in ju odstranite.

**OPOMBA:** če je potrebna samo zamenjava vodilne plošče, odvijte in odstranite le vijak 1.

4. Zamenjajte poškodovano ali obrabljeno zaščitno varovalo proti obrabi/vodilno ploščo.
5. Novo zaščitno varovalo proti obrabi in vodilno ploščo namestite na ohišje in ju pričvrstite z dvema vijakoma.

Slika M: za opis delov glejte spodaj:

M-1	Vijak 1	M-4	Zaščitno varovalo proti obrabi
M-2	Vodilna plošča	M-5	Namestitveni odprtini
M-3	Vijak 2	M-6	Ohišje zobnikov

### ODSTRANJEVANJE VODILNE PLOŠČE

Če imate izkušnje s tem tipom obrezovalnika ali če mislite, da vodilna plošča ovira obrezovanje robov, jo lahko odstranite.

SL

1. Odvijte in odstranite vijak 1.
2. Odstranite vodilno ploščo.
3. Znova namestite in privijte vijak 1.

## MAZANJE ZOBNIKOV

Zobnike v ohišju je potrebno redno mazati z mazivom za zobnike. Raven maziva preverite približno vsakih 50 ur delovanja, tako da odstranite tesnilni vijak pri strani ohišja.

Če pri strani zobnikov ne vidite maziva, sledite spodnjim korakom in ohišje napolnite z mazivom do 3/4 prostornine.

Ohišja z zobniki ne napolnite povsem.

1. Obrezovalnik robov postavite pokonci, da je tesnilni vijak obrnjen navzgor (slika N).
2. S priloženim večnamenskim ključem odvijte vijak in ga odstranite. Z brizgalko (ni priložena) vbrizgajte nekaj maziva v luknjo vijaka. Ne napolnite več kot 3/4 prostornine ohišja.
3. Privijte tesnilni vijak.

## Shranjevanje enote

- Iz obrezovalnika robov odstranite baterijski sklop.
- Orodje pred shranjevanjem temeljito očistite.
- Če obrezovalnik ni nameščen na pogonsko enoto in je shranjen ločeno, namestite pokrovček na gred priključka, da umazanija ne pride v spojnik.
- Shranite ga v suhem in dobro zračenem prostoru, ki se zaklepa ali je dvignjen, da ne bo na dosegu otrok. Enote ne shranjujte na ali v bližino gnojil, bencina ali drugih kemikalij.

SL

## Varovanje okolja



Električne opreme, polnilnika baterij in baterij/baterij, ki jih je mogoče polniti, ne odvrzite med gospodinjne odpadke!

V skladu z evropskim zakonom 2012/19/EU glede električne in elektronske opreme, ki ni več uporabna, in v skladu z evropskim zakonom 2006/66/EC glede pokvarjenih ali izrabljenih baterijskih sklopov/baterij, je treba baterije zbrati ločeno.

Če električne naprave odvržete na smetišča, lahko nevarne snovi pronicajo v podtalnico in tako pridejo v prehranjevalno verigo, s čimer ogrozijo vaše zdravje in dobro počutje.

## IZJAVA ES O SKLADNOSTI



DRUŽBA EGO EUROPE GMBH

Wahlwiesenstrasse 1, D-71711 Steinheim an der Murr  
Deutschland

izjavljamo, da je izdelek **56-voltni litij-ionski brezžični priključek za urejanje robov EA0800**, opremljen s pogonsko glavo PH1400E

v skladu s ključnimi zdravstvenimi in varnostnimi zahtevami naslednjih direktiv:

2006/42/ES, 2014/30/EU, 2011/65/EU, 2000/14/ES

Upoštevani standardi in tehnične specifikacije

EN 60745-1, ISO 11789-1, EN 55014-1, EN 55014-2

Izmerjena raven zvočnega tlaka: 92,4 dB(A).

Zajamčena raven zvočnega tlaka: 95 dB(A).

Peter Melrose  
Generalni direktor družbe  
EGO Europe GmbH

Dong Jianxun  
Vodja kakovosti pri družbi  
Chervon

\*(Pooblaščen predstavnik družbe CHERVON in odgovorni za tehnično dokumentacijo.)

01/12/2016

## ODPRAVLJANJE TEŽAV

TEŽAVA	VZROK	REŠITEV
Motor se ne zažene.	<ul style="list-style-type: none"> <li>■ Baterijski sklop ni nameščen na pogonsko enoto.</li> <li>■ Med pogonsko enoto in baterijskim sklopom ni električnega stika.</li> <li>■ Baterijski sklop je izpraznjen.</li> <li>■ Button za odklepanje in sprožilec nista bila pritisnjena hkrati.</li> </ul>	<ul style="list-style-type: none"> <li>■ Baterijski sklop namestite na pogonsko enoto.</li> <li>■ Odstranite baterijo, preverite kontakte in ponovno namestite baterijski sklop, tako da se zaskoči.</li> <li>■ Baterijske sklope polnite s polnilniki EGO, ki so navedeni v tem priročniku.</li> <li>■ Button za odklepanje pritisnite navzdol in ga pridržite, nato pritisnite sprožilec, da vključite kosilnico z nitko.</li> </ul>
Pogonska enota se zaustavi med delovanjem.	<ul style="list-style-type: none"> <li>■ Motor je preobremenjen.</li> <li>■ Baterijski sklop ali pogonska enota je prevroča.</li> <li>■ Baterijski sklop je odklopljen iz orodja.</li> <li>■ Baterijski sklop je izpraznjen.</li> </ul>	<ul style="list-style-type: none"> <li>■ Motor bo zopet deloval, ko boste odstranili obremenitev. Za neprekinjeno delovanje zmanjšajte obremenitev pogonske enote.</li> <li>■ Počakajte, da se baterijski sklop ali pogonska enota ohladi do temperature pod 67 °C.</li> <li>■ Ponovno namestite baterijski sklop.</li> <li>■ Baterijske sklope polnite s polnilniki EGO, ki so navedeni v tem priročniku.</li> </ul>
Neenakomeren rob	<ul style="list-style-type: none"> <li>■ Trava ali tla, ki jih obrezujete, so prevlažna.</li> <li>■ Ščitnik rezila je zamašen.</li> </ul>	<ul style="list-style-type: none"> <li>■ Izogibajte se obrezovanju, če je zemlja ali trava mokra.</li> <li>■ Zaustavite motor, odstranite baterijski sklop in odstranite ostanke s ščitnika rezila.</li> </ul>

## GARANCIJA

### GARANCIJSKA POLITIKA DRUŽBE EGO

Za popolne pogoje garancijske politike družbe EGO obiščite spletno stran [egopowerplus.com](http://egopowerplus.com).

SL

## PERSKAITYKITE VISĄ INSTRUKCIJĄ!



**PERSKAITYKITE NAUDOJIMO INSTRUKCIJĄ**

**⚠ Liekamoji rizika!** Žmonės, kuriems implantuoti elektroniniai prietaisai, pvz., širdies stimulatoriai, prieš pradėdami naudoti šį gaminį turėtų pasikonsultuoti su savo gydytoju (-ais). Šalia širdies stimulatoriaus veikiant elektros įranga gali sukelti širdies stimulatoriaus veikimo trukdžius arba gedimą.

**⚠ ĮSPĖJIMAS:** Norint užtikrinti saugų ir patikimą gaminio naudojimą, visus remonto ir keitimo darbus turi atlikti kvalifikuotas techninės priežiūros specialistas.

## SAUGOS SIMBOLIAI

Šių simbolių paskirtis – atkreipti dėmesį į galimus pavojus. Gerai susipažinkite su saugos simboliais bei jų paaiškinimais ir juos įsidėmėkite. Simbolių įspėjimai patys savaime negali apsaugoti nuo pavojų. Jais žymimi nurodymai ir įspėjimai neatstoja tinkamų nelaimingų atsitikimų prevencijos priemonių.

**⚠ ĮSPĖJIMAS:** Prieš pradėdami naudoti šį gaminį perskaitykite visus šioje naudojimo instrukcijoje pateiktus saugos nurodymus, taip pat susipažinkite su visais saugos įspėjamaisiais simboliais, tokiais kaip „PAVOJUS“, „ĮSPĖJIMAS“, ir „PERSPĖJIMAS“, ir įsitikinkite, kad juos supratote. Nesilaikant visų toliau išdėstytų nurodymų galima patirti elektros smūgį, sukelti gaisrą ir (arba) sunkiai susižeisti.

## SIMBOLIO REIKŠMĖ

**⚠ SAUGOS ĮSPĖJAMASIS SIMBOLIS:** nurodo PAVOJŲ, ĮSPĖJIMĄ, arba PERSPĖJIMĄ. Gali būti panaudotas su kitais simboliais arba piktogramomis.

**⚠ ĮSPĖJIMAS:** Naudojant bet kokius elektros prietaisus gali būti išsviesti ir pataikyti į akis pašaliniai objektai, galintys sunkiai sužeisti akis. Prieš pradėdami naudoti elektros prietaisą, visada užsidėkite apsauginius akinius arba apsauginius akinius su šonine apsauga ir, kai reikia, visą veidą dengiantį skydelį. Rekomenduojame naudoti platų matymo lauką užtikrinančią apsauginę kaukę ant akinių arba standartinius apsauginius akinius su šonine apsauga.

## SAUGOS NURODYMAI

Šiame puslapyje pavaizduoti ir aprašyti saugos simboliai, kurių gali būti ant šio gaminio. Prieš pradėdami surinkti ir naudoti prietaisą, perskaitykite visus ant jo pateiktus nurodymus, įsitikinkite, kad juos supratote, ir jais vadovaukitės.

	Saugos įspėjimas	Nurodo galimą sužalojimo pavojų.
	Perskaitykite naudojimo instrukciją	Kad sumažintų pavojų susižaloti, naudotojas turi perskaityti naudojimo instrukciją ir įsitikinti, kad ją suprato.
	Naudokite akių ir ausų apsaugas	Naudodami šį gaminį visada užsidėkite apsauginius akinius arba apsauginius akinius su šonine apsauga ir visą veidą dengiantį skydelį.
	Pasirūpinkite, kad pašaliniai asmenys būtų nutolę saugiu atstumu	Užtikrinkite, kad kiti žmonės ir augintiniai būtų tam tikru atstumu nuo kraštų pjoviklio, kai jis naudojamas.
	Kraštų pjoviklio peilio sukimo kryptis	Nurodo kraštų pjoviklio peilio sukimosi kryptį.
	Pašaliniai daiktai	Atidžiai apžiūrėkite paviršių, kurį ketinate apdoroti įrenginiu, ir pašalinkite visus akmenis, pagaliukus, vielas, kaulus ir kitus pašalinius daiktus.
	Besisukantis peilis	Nedėkite rankų ir kojų arti besisukančių dalių arba po jomis.
	Nenaudokite lyjant lietu	Nedirbkite su žoliapjove lyjant lietu, taip pat nepalikite lauke, kai lyja.
	CE	Šis gaminys atitinka taikomas EB direktyvas.
	WEEE	Elektros prietaisų atliekas draudžiama utilizuoti kartu su buitinėmis atliekomis. Perduoti įgaliotam perdirbėjui.

LT



	Triukšmas	Garantuojamas garso galios lygis. Triukšmo sklaida į aplinką atitinka Europos Bendrijos direktyvą.
V	Voltas	Įtampa
mm	Milimetras	Ilgis arba dydis
cm	Centimetras	Ilgis arba dydis
kg	Kilogramas	Svoris
	Nuolatinė elektros srovė	Srovės tipas arba charakteristika

### SVARBŪS SAUGOS NURODYM AI

**⚠️ ĮSPĖJIMAS:** Naudodami akumulatorines žoliapjoves, visada imkitės svarbiausių atsargumo priemonių, kad sumažintumėte gaisro, elektros smūgio ir susižalojimo pavojų, įskaitant:

### ATIDŽIAI PERSKAITYKITE PRIEŠ NAUDODAMI

### PASIDĖKITE, KAD PRIREIKUS GALĖTUMĖTE PASIŽIŪRĖTI

**⚠️ PAVOJUS.** Nepasikliaukite įrenginio izoliacija nuo elektros smūgio. Norėdami sumažinti elektros smūgio riziką, niekada neekspluatuokite įrenginio netoli bet kokių laidų arba kabelių (elektros ir pan.), kuriais gali tekėti elektros srovė.

**⚠️ PERSPĖJIMAS:** Eksploatacijos metu dėvėkite tinkamas asmenines klausos apsaugos priemones. Tam tikromis sąlygomis ir dėl naudojimo trukmės šio gaminio keliamas triukšmas gali prisidėti prie klausos netekimo.

### Mokymas

- Atidžiai perskaitykite instrukciją. Susipažinkite su valdikliais ir nurodymais, kaip tinkamai naudoti įrenginį.
- Įrenginio niekada neleiskite naudoti vaikams arba žmonėms, nesusipažinusiems su šia instrukcija. Vietiniai teisės aktai gali riboti operatoriaus amžių.
- Niekada nepjaukite, kai netoliese yra žmonių, ypač vaikų, arba augintinių.
- Turėkite omenyje, kad operatorius arba naudotojas atsako už nelaimingus atsitikimus ir pavojus, keliamus kitiems žmonėms ir jų nuosavybei.

### Pasiruošimas

- Pjaudami kraštus naudokite akių ir ausų apsaugas, avėkite tinkamą avalynę ir mūvėkite ilgas kelnes.

- Atidžiai apžiūrėkite paviršius, kurį ketinate apdoroti įrenginiu, ir pašalinkite visus akmenis, pagaliukus, vielas, kaulus ir kitus pašalinius daiktus.
- Prieš naudodami visada patikrinkite, ar peiliai, jų varžtai ir pjoviklio mazgas nėra susidėvėję arba pažeisti. Susidėvėjusius arba pažeistus peilius ir varžtus keiskite kaip rinkinį, kad išsaugotumėte balansą.

### Naudojimas

- Pjaustykite tik dieną arba esant tinkamam dirbtiniam apšvietimui.
- Nuožulniose vietose visada atsistokite tvirtai.
- Eikite, niekada nebėkite.
- Būkite itin atsargūs, kai einate atbulomis arba traukiate pjoviklį savęs link.
- Prieš pereinami prie kito paviršiaus ir perkeldami pjoviklį iš vienos vietos į kitą įsitikinkite, kad peilis nustojo sukstis.
- Niekada nenaudokite pjoviklio su pažeistomis, netinkamai pritvirtintomis apsaugomis arba be jų.
- Nekeiskite variklio sūkių regulatoriaus nuostatų ir nenaudokite didesniu nei nurodytas greičiu.
- Variklio jungiklį įjunkite laikydamiesi nurodymų ir patraukę kojas nuo peilio (-ių).
- Neįjunkite variklį, kai priešais peilį (-ius) stovi pašalinis asmuo.
- Nedėkite rankų ir kojų arti besisukančių dalių arba po jomis.
- Visada išjunkite variklį ir išimkite akumuliatorių:
  - prieš valydami aplinką;
  - prieš tikrindami, valydami peilį (-ius) arba dirbdami prie jo (jų);
  - kludę pašalinį daiktą; patikrinkite peilį (-ius) dėl pažeidimų ir prieš iš naujo užkurdami ir naudodami pjoviklį ištaisykite trūkumus;
  - jei kraštų pjoviklis pradeda neįprastai vibruoti (nedelsdami patikrinkite).
- Palikdami pjoviklį visada užgesinkite variklį.
- Nekraukite sudėtinės baterijos lietuje arba esant drėgnoms sąlygoms.
- Naudokite tik toliau nurodytas sudėtinės baterijas ir įkroviklius:

BATERIJA	ĮKROVIKLIS
BA1120E, BA2240E, BA2800,	CH2100E
BA3360, BA4200	CH5500E

- Prieš atiduodant įrenginį į metalo laužą, būtina išimti akumuliatorių.

- Akumuliatorių reikia išmesti saugiai.
- Nemeskite baterijos į ugnį. Elementai gali sprogti. Susipažinkite su vietoje galiojančiais teisės aktais, kuriuose gali būti pateikti specialūs šalinimo nurodymai.
- Draudžiama atidaryti arba gadinti bateriją. Išbėgęs elektrolitas sukelia koroziją ir gali pakenkti akims ar odai. Jis gali būti toksiškas prarijus.
- Siekdami išvengti trumpojo jungimo atsargiai elkitės su žoliapjovės baterijomis: venkite tokių laidininkų, kaip žiedai, apyrankės ir raktai. Baterija arba laidininkas gali įkaisti ir sukelti nudegimus.
- Baterijų nereikia įjungti į elektros lizdą; jos visada yra darbinės būsenos. Net įrenginiui neveikiant neužmirškite apie jo keliamus pavojus. Atlikdami remonto arba techninės priežiūros darbus, būkite atidūs.
- Neplaukite žoliapjovės su vandens žarna. Saugokite, kad vandens nepatektų ant variklio ir elektros jungčių.

## Techninė priežiūra ir laikymas

- Priveržkite visas varžles, varžtus ir sraigtus, kad įrenginį būtų saugu naudoti.
- Pakeiskite susidėvėjusias arba pažeistas dalis.
- Nebandykite savarankiškai remontuoti įrenginio neturėdami atitinkamos kvalifikacijos.
- Naudokite tik gamintojo rekomenduojamas atsargines dalis ir priedus.
- Prieš atlikdami techninės priežiūros ar valymo darbus išimkite iš įrenginio akumuliatorių.
- Įrenginį reguliariai apžiūrėkite ir tvarkykite. Įrenginio remontą patikėkite tik įgaliotam remontininkui.
- Kai nenaudojamas, laikykite įrenginį vaikams nepasiekiamoje vietoje.
- Susidarius šioje instrukcijoje neaprašytai situacijai, būkite atsargūs ir vadovaukitės sveika nuovoka. Pagalbos kreipkitės į EGO techninės priežiūros centrą.
- Išsaugokite šias instrukcijas. Dažnai jas pavartykite ir naudokitės jomis mokydami kitus asmenis, kurie gali naudoti šį įrankį. Skolindami įrankį kam nors kitam, paskolinkite ir instrukcijas, kad būtų išvengta netinkamo gaminio naudojimo arba sužalojimo.

LT

## IŠSAUGOKITE ŠIAS INSTRUKCIJAS!

### PASTABA. PAPILDOMAS SAUGOS TAISYKLES ŽR. ELEKTRINĖS GALVUTĖS NAUDOJIMO INSTRUKCIJOJE

## TECHNINIAI DUOMENYS

Peilio ilgis	20 cm	
Pjovimo gylis	Iki 75 mm	
Svoris	2,26 kg	
Išmatuotas garso galios lygis $L_{WA}$	92,4 dB(A) K=2,07 dB(A)	
Garso slėgio lygis ties operatoriaus ausimi $L_{PA}$	79,8 dB(A) K=3 dB(A)	
Garantuojamas garso galios lygis $L_{WA}$ (išmatuotas pagal 2000/14/EB)	95 dB(A)	
Vibracija $a_h$	Priekinė pagalbinė rankena	1,2 m/s <sup>2</sup> K=1,5 m/s <sup>2</sup>
	Galinė rankena	2,2 m/s <sup>2</sup> K=1,5 m/s <sup>2</sup>

- Pirmiau nurodyti parametrai išbandyti ir išmatuoti naudojant elektrinę galvutę PH1400E;
- Nurodyta bendroji vibracijos vertė išmatuota taikant standartinį bandymo metodą, todėl pagal ją galima palyginti skirtingus įrenginius.
- Nurodytą bendrąją vibracijos vertę taip pat galima naudoti pirmiam poveikio vertinimui.

**PASTABA:** Naudojant įrenginį realiomis sąlygomis, skleidžiamos vibracijos stiprumo vertė gali skirtis nuo nurodytos. Kad apsaugotų dirbdamas realiomis sąlygomis, naudotojas turi mūvėti pirštines ir naudoti ausų apsaugos priemones.

## PAKUOTĖS TURINIO SĄRAŠAS

DALIES PAVADINIMAS	SKAIČIUS
Kraštų pjoviklio įtaisas	1
Šešiabriaunis raktas	1
Daugiafunkcis raktas	1
Vielokaištis	2
Naudojimo instrukcija	1

### Rekomenduojamas peilis

DALIES PAVADINIMAS	MODELIO NUMERIS
Kraštų pjoviklio peilis	AEB0800

## APRAŠAS

### SUŽINOKITE, KAIP VEIKIA KRAŠTŲ PJOVIKLIO ĮTAISAS (A pav.)

1. Kamštelis
2. Kraštų pjoviklio velenas
3. Peilio apsauga
4. Peilis
5. Gylio reguliavimo rankenėlė
6. Kreipiamasis ratas
7. Šešiabriaunis raktas
8. Daugiafunkcis raktas
9. Gylio reguliavimo kreipiamoji juosta
10. Atliekų sklendė
11. Vielokaištis
12. Kreipiamosios plokštelės fiksavimo varžtas
13. Kreipiamoji plokštelė

## SURINKIMAS

**⚠️ ĮSPĖJIMAS:** jeigu bet kuri dalis yra sugadinta arba jos trūksta, nenaudokite šio įrenginio, kol ji nebus pakeista. Jeigu įrenginys naudojamas, kai dalys yra sugadintos arba jų trūksta, galima sunkiai susižeisti.

**⚠️ ĮSPĖJIMAS:** nebandykite keisti šio įrenginio arba kurti priedus, kurių nerekomenduojama naudoti su šia žoliapjove. Bet koks pakeitimas arba modifikavimas yra laikomas netinkamu naudojimu, dėl kurio gali susidaryti pavojingos sąlygos, kurių metu galite sunkiai susižaloti.

**⚠️ ĮSPĖJIMAS. Nereguliuokite peilio apsaugos.** Peilio apsauga sureguliuota gamykloje taip, kad peilio apsaugos rodyklė ir atviroji pusė būtų nukreiptos nuo operatoriaus. Taip užtikrinta, kad nupjauta žolė ir kitos atliekos būtų nukreipiamos nuo elektrinio įrankio ir operatoriaus.

### KRAŠTŲ PJOVIKLIO ĮTAISO PRIJUNGIMAS PRIE ELEKTRINĖS GALVUTĖS

Šis kraštų pjoviklio įtaisas skirtas naudoti su EGO gamybos 56 V ličio jonų elektrine galvute PH1400E.

Žr. elektrinės galvutės PH1400E naudojimo instrukcijos skyrių **ĮTAISO MONTAVIMAS ANT ELEKTRINĖS GALVUTĖS.**

## NAUDOJIMAS

**⚠️ ĮSPĖJIMAS:** mokėjimas naudotis įrenginiu nesuteikia teisės dirbti nerūpestingai. Atsiminkite, kad trumpam atitraukę dėmesį galite sunkiai susižaloti.

**⚠️ ĮSPĖJIMAS:** visada dėvėkite apsauginius akinius su šoniniais skydeliais. Taip pat dėvėkite ausų apsaugą. Nesilaikant šio nurodymo, objektai gali būti sviedžiami jums į akis arba galite būti kitaip sunkiai sužaloti.

### NAUDOJIMAS

Gaminį galima naudoti šiam tikslui:

- Kraštams aplink pėsčiųjų takus, šaligatvio kraštus, gėlynus ir kitas panašias vietas pjauti.

**PASTABA.** Įrankį reikia naudoti tik pagal nurodytą paskirtį. Naudojimas bet koku kitu tikslu laikomas netinkamu naudojimui.

### Prieš kiekvieną naudojimą patikrinkite, ar nėra sugadintų arba susidėvėjusių dalių

Apžiūrėkite pjovimo galvutę, apsaugos priemonę ir priekinę pagalbinę rankeną. Pakeiskite sutrūkinėjusias, pakeitusias formą, sulinkusias arba bet kaip kitaip pažeistas dalis.

**⚠️ ĮSPĖJIMAS.** Kad išvengtumėte sunkių traumų, prieš atlikdami techninę priežiūrą, valydami įrankį, keisdami priedus arba valydami žolės likučius iš įrenginio išimkite akumuliatorių.

### KRAŠTŲ PJOVIKLIO NAUDOJIMAS SU ELEKTRINE GALVUTE

**⚠️ ĮSPĖJIMAS.** Siekdami sumažinti susižalojimo riziką, įrankį naudokite tinkamai apsirengę. Nedėvėkite laisvų drabužių ir nenešiokite laisvai kabančių papuošalų. Naudokite akių ir ausų apsaugas. Mūvėkite tvirtos medžiagos ilgas kelnes ir pirštines, avėkite tinkamus batus. Nedirbkite su trumpomis kelnėmis, su sandalais ar basomis. Dirbdami dulktėje aplinkoje, užsidėkite visą veidą dengiančią kaukę arba respiratorių.

**⚠️ ĮSPĖJIMAS.** Išvalykite iš darbo vietos visas kliūtis ir kietus objektus.

Kad darbas būtų saugesnis ir efektyvesnis, užsidėkite diržą per petį. Pakoreguokite diržą per petį, kad jis atsiderėtų patogioje darbinėje padėtyje.

Kraštų pjoviklį visada laikykite dešinę ranką uždėję ant galinės rankenos, o kairę – ant priekinės pagalbinės rankenos. Dirbdami su įrankiu laikykite jį tvirtai abiem rankomis. Kraštų pjoviklis turi būti laikomas patogioje padėtyje, galinė rankena turi būti klubų aukštyje (B pav.).

**⚠ ĮSPĖJIMAS.** Diržas per petį yra greitai atkabinas mechanizmas pavojingoje situacijoje. Kritinėje situacijoje nedelsiant nusiimkite diržą nuo peties, nesvarbu, koku būdu.

**Po kiekvieno naudojimo išvalykite pjoviklį.**

Valymo instrukcijas žr. skyriuje TECHNINĖ PRIEŽIŪRA.

## PJOVIMO GYLIO REGULIAVIMAS

1. Išjunkite pjoviklį ir ištraukite akumuliatorių.
2. Atsukite gylio reguliavimo rankenėlę priešinga ant rankenėlės pavaizduotai rodyklei kryptimi (C pav.).
3. Stumtelėkite kreipiamąjį ratą palei gylio reguliavimo kreipiamąją juostą į viršų (padidinsite gylį) arba į apačią (sumažinsite gylį) (D pav.).
4. Sureguliuokite kreipiamąjį ratą taip, kad peilis vos liestųsi prie žemės arba vos pjautų žemės paviršių (ne daugiau kaip 5 mm) (E pav.), tada jį užveržkite.
5. Stovėdami įprastoje darbinėje padėtyje patikrinkite pjovimo gylį ir, jei reikia, sureguliuokite dar kartą.

## ĮRANKIO PALEIDIMAS IR SUSTABDYMAS

Žr. elektrinės galvutės PH1400E naudojimo instrukcijos skyrių **ELEKTRINĖS GALVUTĖS PALEIDIMAS IR SUSTABDYMAS.**

## NAUDOJIMO PATARIMAI

- Laikykite ir kreipkite elektrinę galvutę taip, kad peilis būtų vertikaliaje padėtyje. Vizualiai išlyginkite peilio pjovimo liniją su pjaunamo ploto kraštu (F pav.).
- Dirbkite eidami normaliu greičiu. Jei peilis sminga į žemę, vadinasi, pjaunate per greitai – sulėtinkite žingsnį.
- Pjaudami visada eikite ir pjoviklį judinkite į priekį. Netraukite pjoviklio į save.
- Nestumkite peilio į žemę jėga. Švelnus sąlytis tarp peilio ir šaligatvio krašto, bordiūro ir pan. yra priimtinas ir nepažeis peilio.
- Geriausią rezultatą gausite pjaudami sausą žolę. Venkite pjauti drėgnus žemės arba žolės plotus, nes peilio apsauga gali užsikimšti ir susidaryti nelygus pjovimo kraštas. Jei peilio apsauga užsikimšo, sustabdykite variklį, ištraukite akumuliatorių ir pašalinkite nuo peilio apsaugos nešvarumus.

LT

## TECHNINĖ PRIEŽIŪRA

**⚠ ĮSPĖJIMAS.** Prieš atlikdami įrenginio patikrą, valymą ar techninę priežiūrą, sustabdykite variklį, palaukite, kol visos judančios dalys sustos, ir išimkite akumuliatorių. Nesilaikydami šių nurodymų galite sunkiai arba net mirtinai susižaloti arba sugadinti turą.

**⚠ ĮSPĖJIMAS:** Atlikdami techninės priežiūros darbus, naudokite tik identiškas atsargines dalis. Įrenginį reguliariai apžiūrėkite ir tvarkykite. Norint užtikrinti saugų ir patikimą gaminio naudojimą visus remonto darbus turi atlikti kvalifikuotas techninės priežiūros specialistas.

## BENDROJI TECHNINĖ PRIEŽIŪRA

Valydami plastikines dalis nenaudokite tirpiklių. Įvairūs komerciniai tirpikliai gali pažeisti daugelį plastikų ir neturėtų būti naudojami, nes gali sugadinti gaminį. Norėdami nuvalyti purvą, dulkes, tepalus, riebalus ir pan., naudokite švarias šluostes.

## ĮRENGINIO VALYMAS

- Po kiekvieno naudojimo minkštu šepetėliu nuvalykite nuo peilio ir apsaugos atliekas, žemės gabaliukus ir žolę. Kraštų pjoviklio paviršių valykite švaria šluoste, sudrėkinta silpnu muilo tirpalu.
- Naudokite mažą šepetėlį arba mažą dulkių siurblio šepetėlį, kad išvalytumėte variklio korpuso ventiliacines angas.

**PASTABA.** Plastikinėms korpuso arba rankenos dalims valyti nenaudokite jokių stiprių ploviklių. Kai kurios aromatinės alyvos (pušies arba citrinų kvapo) gali jas sugadinti.

## PEILIO KEITIMAS

**⚠ ĮSPĖJIMAS.** Nebandykite ištiesinti ar virinti įlenktą ar įtrūkusį peilį, nes galite jį sulaužyti. Pakeiskite nauju. Rekomenduojama keisti tik kitu EGO pjoviklio peiliu, žr. skyrių **Rekomenduojamas peilis.**

**PASTABA.** Jei peilio ilgis nebėra pakankamas, siekiant išlaikyti būtina atstumą iki žemės ir gauti reikiamą pjovimo gylį, būtina pakeisti peilį.

**⚠ ĮSPĖJIMAS.** Kai atliekate pjoviklio peilio techninės priežiūros darbus, visada apsaugokite rankas užsimaudami tvirtas pirštines arba apvyniodami ašmenis skudurais ar kitomis medžiagomis.

## Peilio nuėmimas

1. Išjunkite pjoviklį ir ištraukite akumuliatorių.

2. Padėkite pjoviklį taip, kad peilis būtų nukreiptas į viršų.
3. Mūvėkite apsaugines pirštines. Naudodami adatines vėples (nepridedamos) ištraukite iš variklio veleno vielokaištį (G pav.).
4. Sukite peilį, kol jungėms griovelis susilygiuos su pavaru dėžės anga (G pav.).

Toliau pateiktas G pav. parodytų dalių sąrašas.

G-1	Vielokaištis
G-2	Vidinė jungė
G-3	Pavarų dėžė

5. Įkiškite komplekte esantį šešiakampį raktą į suslygiuotas angas ir naudokite kaip stabilizatorių. Atsukite varžlę komplekte esančiu daugiafunkciu raktu sukdami **PRIEŠINGA LAIKRODŽIO RODYKLEI** kryptimi (H pav.).
6. Nuimkite nuo variklio veleno varžlę, išorinę jungę, peilį ir vidinę jungę (I pav.). Jei kuri nors detalė susidėvėjusi, pakeiskite.

Toliau pateiktas I pav. parodytų dalių sąrašas:

I-1	Variklio velenas	I-5	Peilis
I-2	Vidinė jungė	I-6	Išorinė jungė
I-3	Vidinės jungės griovelis	I-7	Varžlė
I-4	Vidinės jungės iškyša	I-8	Vielokaištis

### Peilio montavimas

1. Variklio veleno vidinės jungės padėtį nustatykite taip, kad jungėms iškyša būtų išorėje (I pav.).
2. Ant vidinės jungės uždėkite naują peilį ir įsitinkinkite, kad jis patikimai pritvirtintas savo vietoje (J pav.).
3. Uždėkite ant veleno išorinę jungę ir varžlę, ranka prisukite varžlę **PRIEŠINGA LAIKRODŽIO RODYKLEI** kryptimi.
4. Nuimdami peilį pakartokite 4 ir 5 veiksmus, kad stabilizuotumėte peilį ir užsuktumėte varžlę **PRIEŠINGA LAIKRODŽIO RODYKLEI** kryptimi.
5. Į variklio veleno angą įdėkite naują komplekte esantį vielokaištį. Adatinėmis replėmis (nepridedamos) sulenkite abu vielokaiščio galus priešingomis kryptimis (G pav.).

### KREIPIAMOJO RATO KEITIMAS

1. Išjunkite pjoviklį ir ištraukite akumuliatorių.
2. Padėkite pjoviklį taip, kad krepiamasis ratas būtų nukreiptas į viršų.
3. Atsukite gylio reguliavimo rankenėlę priešinga ant rankenėlės pavaizduotai rodyklei kryptimi ir nuimkite.
4. Nuimkite nuo ilgo varžto spyruoklinę poveržlę, 1 poveržlę, krepiamąjį ratą, įvares ir 2 poveržlę (K pav.). Jei kuri nors detalė susidėvėjusi, pakeiskite.

5. Iš pradžių prakiškite ilgą varžtą per gylio reguliavimo krepiamąją juostą, tada uždėkite 2 poveržlę, įvares ir naują ratą, vėliau ant ilgo varžto uždėkite 1 poveržlę, spyruoklinę poveržlę ir galiausiai gylio reguliavimo rankenėlę K pav. nurodyta tvarka.

Toliau pateiktas K pav. parodytų dalių sąrašas.

K-1	Gylio reguliavimo rankenėlė	K-5	Įvorė
K-2	Spyruoklinė poveržlė	K-6	2 poveržlė
K-3	1 poveržlė	K-7	Ilgas varžtas
K-4	Krepiamasis ratas	K-8	Gylio reguliavimo krepiamoji juosta

**PASTABA.** Krepiamąjį ratą reikia montuoti taip, kad plokščios briaunos būtų nukreiptos į vidų (L pav.).

Toliau pateiktas L pav. parodytų dalių sąrašas.

L-1	Varžtai	L-3	Atliekų sklendė
L-2	Plokščia briauna	L-4	Tvirtinimo plokštelė

6. Užfiksukite gylio reguliavimo rankenėlę.

### ATLIEKŲ SKLENDĖS KEITIMAS (L pav.)

1. Išjunkite pjoviklį ir ištraukite akumuliatorių.
2. Atsukite du varžtus komplekte esančiu šešiakampiu raktu.
3. Išimkite varžtus, tvirtinimo plokštelę ir susidėvėjusią atliekų sklendę.
4. Įdėkite naują atliekų sklendę ir pritvirtinkite ją tvirtinimo plokšte ir dviem varžtais.

### NESUSIDĖVINČIO APSAUGINIO GAUBTELIO IR KREIPIAMOSIOS PLOKŠTELĖS PATIKRA IR KEITIMAS (M pav.)

Prieš įjungdami elektrinį įrankį patikrinkite nesusidėvintą apsauginį gaubtelį ir krepiamąją plokštelę dėl pažeidimų. Nesusidėvintą apsauginį gaubtelį rekomenduojama keisti iškart, kai per jį pradeda matytis pavaru dėžė.

**PASTABA.** Jei matyti pavaru dėžė ir nedelsiant nepakeičiate nesusidėvintą apsauginio gaubtelio, galite smarkiai pažeisti pavaru dėžę.

1. Išjunkite pjoviklį ir ištraukite akumuliatorių.
2. Mūvėkite apsaugines pirštines. Sukite peilį, kol pamatysite du varžtus.
3. Atsukite varžtus komplekte esančiu šešiakampiu raktu ir ištraukite juos.

**PASTABA.** Jei reikia pakeisti tik krepiamąją plokštelę, atsukite tik 1 varžtą.

4. Pakeiskite deformuotą arba susidėvėjusį apsauginį gaubtelį ir (arba) krepiamąją plokštelę.

5. Pritvirtinkite naują nesusedėvintį apsauginį gaubtelį ir (arba) krepiamąją plokštelę pavarų dėžėje, tada užveržkite du varžtus.

Toliau pateiktas M pav. parodytų dalių sąrašas.

M-1	1 varžtas	M-4	Nesusedėvintis apsauginis gaubtelis
M-2	Krepiamoji plokštelė	M-5	Montavimo angos
M-3	2 varžtas	M-6	Pavarų dėžė

## KREPIAMOSIOS PLOKŠTELĖS IŠĖMIMAS

Jei esate patyręs šio tipo kraštų pjoviklio naudotojas arba matote, kad krepiamoji plokštelė trukdo pjoviklio darbui, plokštelę galite išimti.

1. Atsukite ir ištraukite 1 varžtą.
2. Ištraukite krepiamąją plokštelę.
3. Įdėkite ir užveržkite 1 varžtą.

## TRANSMISIJOS PAVARŲ TĖPIMAS

Pavarų dėžėje įrengtas transmisijos pavaras būtina reguliariai tepti pavarų tepalu. Kas 50 veikimo valandų atsukę dėžės šone esantį sandarinimo varžtą patikrinkite pavarų dėžės tepalo lygį.

Jei pavarų šonuose nėra jokių tepalo požymių, pripilkite 3/4 talpos pavarų tepalo pagal toliau pateiktus nurodymus:

Nepripildykite transmisijos pavarų dėžės iki galo.

1. Pastatykite kraštų pjoviklį statmenai, kad sandarinimo žiedas būtų nukreiptas į viršų (N pav.).
2. Komplekte esančiu daugiafunkciu raktu atsukite sandarinimo varžtą ir jį ištraukite. Naudodami tepalo švirškštą (nepriedamas) iššvirškite tepalo į varžto angą. Nevirškite 3/4 talpos.
3. Baigę užveržkite sandarinimo varžtą.

## ĮRENGINIO SANDĖLIAVIMAS

- Išimkite kraštų pjoviklio akumuliatorių.
- Prieš sandėliavimą kruopščiai nuvalykite įrenginį.
- Jei pjoviklio įtaisas nuimtas nuo elektrinės galvutės ir padėtas atskirai, ant įtaiso veleno uždėkite kamštelį, kad į jungiamąją movą nepatektų nešvarumų.
- Įrenginį sandėliuokite sausoje, gerai vėdinamoje, rakinamoje patalpoje arba aukštai, vaikams nepasiekiamoje vietoje. Nelaikykite įrenginio ant arba šalia trąšų, benzino arba kitų chemikalų.

## Aplinkos apsauga



Neišmeskite elektros įrangos, akumuliatoriaus įkroviklio ir baterijų / akumuliatorių su buitiniemis atliekomis!

Pagal Europos Parlamento ir Tarybos direktyvas 2012/19/EB ir 2006/66/EB nenaudojama elektros bei elektronikos įranga ir nenaudojami arba sugedę akumuliatoriai ir (arba) baterijos turi būti surenkami atskirai.

Elektros prietaisus užkasus su atliekomis arba išmetus sąvartynuose, pavojingos medžiagos gali patekti į gruntinį vandenį ir į maisto grandinę, taip pakenkti jūsų sveikatai ir gerovei.

## EB ATITIKTIES DEKLARACIJA



Mes, EGO EUROPE GMBH

Wahlwiesenstrasse 1, D-17171 Steinheim an der Murr Deutschland

Pareiškiamo, kad gaminys **belaidis kraštų pjoviklio įtaisas EA0800 su 56 V ličio jonų baterija** ir elektrine galvute PH1400E

atitinka esminius toliau nurodytų direktyvų sveikatos ir saugos reikalavimus:

2006/42/EB, 2014/30/ES, 2011/65/ES, 2000/14/EB

Standartai ir techninės specifikacijos, kuriais remiamasi:

EN 60745-1, ISO 11789-1, EN 55014-1, EN 55014-2

Išmatuotas garso galios lygis: 92,4 dB(A).

Garantuojamas garso galios lygis: 95 dB(A).

Peter Melrose  
„EGO Europe GmbH“  
vykdomasis direktorius

Dong Jianxun  
„Chervon“ kokybės vadovas

\* (CHERVON įgaliotasis atstovas ir už techninę dokumentaciją atsakingas asmuo)

01/12/2016

LT

## TRIKČIŲ ŠALINIMAS

PROBLEMA	PRIEŽASTIS	SPRENDIMAS
Variklis nepasileidžia.	<ul style="list-style-type: none"> <li>■ Akumuliatorius neprijungtas prie elektrinės galvutės.</li> <li>■ Nėra elektros kontakto tarp elektrinės galvutės ir akumuliatoriaus.</li> <li>■ Akumuliatorius visiškai išsekęs.</li> <li>■ Nenuspausta fiksavimo mygtukas ir gaidukas.</li> </ul>	<ul style="list-style-type: none"> <li>■ Prijunkite akumuliatorių prie elektrinės galvutės.</li> <li>■ Išimkite akumuliatorių, patikrinkite kontaktus ir vėl įdėkite akumuliatorių, kol užsifiksuos vietoje.</li> <li>■ Įkraukite akumuliatorių šioje naudojimo instrukcijoje nurodytais EGO įkrovikliais.</li> <li>■ Kad įjungtumėte žoliapjovę, nuspauskite fiksavimo mygtukas ir ją laikykite, o tada nuspauskite gaiduką.</li> </ul>
Elektrinė galvutė darbo metu sustoja.	<ul style="list-style-type: none"> <li>■ Perkrautas variklis.</li> <li>■ Akumuliatorius arba elektrinė galvutė pernelyg įkaitusi.</li> <li>■ Akumuliatorius yra atjungtas nuo įrankio.</li> <li>■ Akumuliatorius visiškai išsikrovęs.</li> </ul>	<ul style="list-style-type: none"> <li>■ Variklis ims veikti normaliai pašalinus apkrovą. Kad darbas vyktų nenutrūkstamai, sumažinkite elektrinės galvutės apkrovą.</li> <li>■ Leiskite akumuliatoriui arba elektrinei galvutei atvėsti, kol temperatūra nukris žemiau 152 °F (67 °C).</li> <li>■ Vėl įdėkite akumuliatorių.</li> <li>■ Įkraukite akumuliatorių šioje naudojimo instrukcijoje nurodytais EGO įkrovikliais.</li> </ul>
Nelygus kraštas	<ul style="list-style-type: none"> <li>■ Per drėgna pjaunama žolė ar žemė.</li> <li>■ Užsikimšusi peilio apsauga.</li> </ul>	<ul style="list-style-type: none"> <li>■ Venkite pjauti drėgną žemę arba žolę.</li> <li>■ Sustabdykite variklį, ištraukite akumuliatorių ir nuvalykite nuo peilio apsaugos nešvarumus.</li> </ul>

## GARANTIJA

### EGO GARANTINIS POLISAS

Norėdami sužinoti visas „EGO“ garantinio poliso sąlygas, apsilankykite interneto svetainėje [egopowerplus.com](http://egopowerplus.com).

LT

## IZLASIET VISUS NORĀDĪJUMUS!



### IZLASIET LIETOTĀJA ROKASGRĀMATU

**⚠ Atlikušā sprieguma apdraudējums!** Cilvēkiem, kuri izmanto elektroniskas ierīces, piemēram, elektrokardiostimulatorus, pirms šīs ierīces lietošanas jāsaazinās ar savu ārstējošo ārstu. Elektroierīču darbība tuvu elektrokardiostimulatoram var izraisīt traucējumus vai tā atteici.

**⚠ BRĪDINĀJUMS.** Lai garantētu drošību un uzticamību, ierīces remontu un tās detaļu nomaiņu veikt drīkst tikai kvalificēts apkopes tehniķis.

## DROŠĪBAS APZĪMĒJUMI

Drošības apzīmējumu nolūks ir pievērst uzmanību iespējamam apdraudējumam. Drošības apzīmējumiem un to skaidrojumiem jāpievērš īpaša uzmanība, un tie pilnībā jāizprot. Apzīmējumu brīdinājumi paši par sevi nenovērš apdraudējumu. Apzīmējumus iekļautie norādījumi un brīdinājumi neaizstāj atbilstošus darba drošības pasākumus.

**⚠ BRĪDINĀJUMS.** Pirms šī darbarīka lietošanas noteikti izlasiet un izprotiet visus šajā lietošanas rokasgrāmatā iekļautos norādījumus, tostarp visus drošības brīdinājumu apzīmējumus, piemēram, „**BĪSTAMI**”, „**BRĪDINĀJUMS**” un „**UZMANĪBU!**”. Neievērojot tālāk uzskaitītos norādījumus, var rasties elektrotrauma, aizdegšanās un/vai smaga trauma.

## APZĪMĒJUMA NOZĪME

**⚠ DROŠĪBAS BRĪDINĀJUMA APZĪMĒJUMS:** Atbilst norādei **BĪSTAMI**, **BRĪDINĀJUMS** vai **UZMANĪBU!** Var tikt izmantots kopā ar citiem apzīmējumiem un piktogrammām.

**⚠ BRĪDINĀJUMS.** Mehānizēto darbarīku lietošanas laikā acis var iekļūt svešķermeņi, kas savukārt var radīt smagu acu traumu. Pirms mehānizētā darbarīka izmantošanas vienmēr uzlieciet aizsargbrilles vai aizsargbrilles ar sānu aizsargiem un pilnu sejas aizsargu (ja nepieciešams). Uz parastajām brillēm vai standarta aizsargbrillēm ar sānu aizsargiem ieteicams uzlikt plata skata leņķa drošības masku.

## DROŠĪBAS NORĀDĪJUMI

Šajā lappusē ir parādīti aprakstīti drošības apzīmējumi, kas var atrasties uz izstrādājuma. Pirms ierīces salikšanas un lietošanas izlasiet, izprotiet un izpildiet visus norādījumus.

	Drošības brīdinājums	Norāda uz iespējamu ievainojumu gūšanas risku.
	Izlasiet lietošanas rokasgrāmatu	Lai mazinātu traumu rašanās bīstamību, pirms šī izstrādājuma lietošanas tā lietotājam jāizlasa un jāizprot lietošanas rokasgrāmata.
	Lietojiet dzirdes aizsarglīdzekļus un aizsargbrilles	Lietojot šo izstrādājumu, vienmēr izmantojiet aizsargbrilles vai aizsargbrilles ar sānu aizsargiem un pilnu sejas aizsargu.
	Nodrošiniet, ka citas personas atrodas drošā attālumā	Lietojot apmaļu griezēju, nodrošiniet, ka citi cilvēki un mājdzīvnieki atrodas drošā attālumā no ierīces.
	Apmaļu griezēja asmens griešanās virziens	Norāda apmaļu griezēja asmens griešanās virzienu.
	Priekšmetu izsviešana	Rūpīgi pārbaudiet virsmu, uz kuras gatavojieties lietot aprīkojumu, un atbrīvojiet to no akmeņiem, sprunguļiem, vadiem, kauliem un citiem svešķermeņiem.
	Rotējošs griezošais asmens	Neievietojiet rokas vai pēdas kustīgo daļu tuvumā vai zem tām.
	Nepakļaujiet lietus iedarbībai	Nelietojiet ierīci lietū un neatstājiet to ārā lietus laikā.
	CE	Šis izstrādājums atbilst piemērojamajām Eiropas Komisijas (EK) direktīvām.



	EEIA	Elektriskos izstrādājumus nedrīkst utilizēt kopā ar sadzīves atkritumiem. Nogādājiet tos pilnvarotam atkritumu pārstrādātājam.
	Troksnis	Garantētais trokšņa jaudas līmenis. Trokšņa emisija vidē atbilst Eiropas Komisijas direktīvas prasībām.
V	Volti	Spriegums
mm	Milimetrs	Garums vai izmērs
cm	Centimetrs	Garums vai izmērs
kg	Kilograms	Svars
	Līdzstrāva	Strāvas veids vai raksturojums

- Ņemiet vērā, ka ierīces lietotājs vai operators ir atbildīgs par negadījumiem vai apdraudējumiem, kas var rasties citiem cilvēkiem vai īpašumam.

### SAGATAVOŠANĀS

- Apmāļu griešanas laikā vienmēr lietojiet aizsargbrilles un dzirdes aizsarglīdzekļus, atbilstošu darba apavus un garas bikses.
- Rūpīgi pārbaudiet virsmu, uz kuras gatavojieties lietot aprīkojumu, un atbrīvojiet to no akmeņiem, sprunguļiem, vadiem, kauliem un citiem svešķermeņiem.
- Pirms lietošanas vienmēr vizuāli pārbaudiet instrumentu, lai noteiktu, vai asmeņi, asmens bultskrūve un griešanas mehānisms nav nodilis vai bojāts. Nomainiet nodilušus vai bojātus asmeņus un bultskrūvj kompleksus, lai nodrošinātu līdzsvaru.

### LIETOŠANA

- Pļaujiet malas tikai dienas laikā vai labā mākslīgajā apgaismojumā.
- Vienmēr pārliecinieties, ka, atrodoties uz nogāzes, ir drošs pamats.
- Ejiet, nekad neskrieniet.
- Griežot apmāļu griezēju otrādāk vai velkot to uz savu pusi, rīkojieties ļoti uzmanīgi.
- Pirms šķērsojiet virsmas, kas nav zāliens, un pārvietojiet apmāļu griezēju uz vai no vietas, kur to izmantosiet, pārliecinieties, ka asmens ir apturēts.
- Nekad nelietojiet apmāļu griezēju ar bojātiem, trūkstošiem vai nepareizi uzstādītiem aizsargiem.
- Nemainiet dzinēja ierobežošanas ierīces iestatījumus vai nepārsniedziet dzinējam noteiktos ātruma ierobežojumus.
- Uzmanīgi ieslēdziet uz dzinēja esošo slēdzi, ievērojot atbilstošos norādījumus un pēdām atrodoties drošā attālumā no asmens(-ņiem).
- Nepalaidiet dzinēju, ja asmens(-ņu) priekšā atrodas kāda persona.
- Nenovietojiet rokas vai pēdas kustīgo daļu tuvumā vai zem tām.
- Vienmēr izslēdziet dzinēju un atvienojiet no akumulatora:
  - 1) pirms šķēršļu likvidēšanas;
  - 2) pirms asmens(-ņu) pārbaudīšanas, tīrīšanas un apkopes;
  - 3) pēc sadursmes ar svešķermeni: pārbaudiet, vai asmens(-ņi) nav bojāts(-i), un pirms apmāļu griezēja atkārtotas ieslēgšanas un lietošanas veiciet nepieciešamas labošanas darbus;
  - 4) ja apmāļu griezējs sāk neierasti vibrēt (nekvēpjoties pārbaudiet).

### SVARĪGI DROŠĪBAS NORĀDĪJUMI

**▲ BRĪDINĀJUMS.** Izmantojot auklas trimerus, vienmēr veiciet pamata piesardzības pasākumus, lai mazinātu aizdegšanās, elektrotraumas, traumu rašanās draudus, un ievērojiet tālāk sniegtās norādes.

### RŪPĪGI IZLASIET PIRMS LIETOŠANAS

#### SAGLABĀJIET TURPMĀKĀM UZZIŅĀM

**▲ BĪSTAMI!** Elektrotraumas nepieļaušanai nepāļaujieties tikai uz darbarīka izolāciju. Lai mazinātu nāvējošas elektrotraumas draudus, nekādā gadījumā nelietojiet ierīci tādu vadu vai kabeļu tuvumā, kuros varētu plūst strāva.

**▲ UZMANĪBU!** Lietojot ierīci, izmantojiet piemērotus dzirdes aizsarglīdzekļus. Dažos gadījumos un zināmā laika intervālā šī izstrādājuma radītais troksnis var izraisīt dzirdes zudumu.

### APMĀCĪBA

- Rūpīgi izlasiet visus norādījumus. Iepazīstieties ar izstrādājuma vadības elementiem un pareizu ierīces lietošanu.
- Nekādā gadījumā neļaujiet ierīci lietot cilvēkiem, kas nav iepazinušies ar šiem norādījumiem, kā arī bērniem. Vietējie noteikumi var ierobežot ierīces lietotāja vecumu.
- Neļaujiet malas, ja tuvumā ir cilvēki, it īpaši bērni, vai mājdzīvnieki.

- Izslēdziet dzinēju iekreiz, kad pārtraucat lietot apmaļu griezēju.
- Neuzlādējiet akumulatora bloku lietū vai mitrās vietās.
- Izmantojiet tikai tālāk uzskaitītos akumulatora blokus un lādētājus.

AKUMULATORŠ	LĀDĒTĀJS
BA1120E, BA2240E, BA2800,	CH2100E
BA3360, BA4200	CH5500E

- Pirms izmēšanas akumulatora bloks jāizņem no ierīces.
- No akumulatora jāatbrīvojas droši.
- Nemetiet akumulatoru ugunī. Akumulatora elementi var uzsprāgt. Īpašus norādījumus par atbilstošu atbrīvošanu no akumulatoriem meklējiet vietējos normatīvos.
- Neatveriet un nebojājiet akumulatoru. Elektrolīts, kas izplūst, ir korozīvs un var radīt acu un ādas bojājumus. Norijot var būt toksisks.
- Rīkojieties ar akumulatoriem ļoti uzmanīgi, neveidojiet īsslēgumu ar materiāliem, kas vada elektrību, piemēram, gredzeniem, rokassprādzēm un atslēgām. Akumulators vai vads var pārkarst un radīt apdegumus.
- Akumulatora darbarīkus nav nepieciešams pieslēgt elektrotīklam, tādēļ tie vienmēr ir darbības stāvoklī. Pat, ja darbarīks nedarbojas, vienmēr sargieties no iespējama apdraudējuma. Veicot uzturēšanu vai apkopi, esiet piesardzīgs.
- Nemasgājiet ar šļūteni; nepieļaujiet ūdens iekļūšanu motorā un elektriskajos savienojumos.

## Apkope un uzglabāšana

- Raugieties, lai visi uzgriežņi un skrūves būtu kārtīgi pievilktas, lai nodrošinātu, ka aprīkojums ir drošā darba stāvoklī.
- Nomainiet nodilušās vai bojātās daļas.
- Nemēģiniet labot ierīci, ja vien neesat kompetents to darīt.
- Lietojiet tikai ražotāja ieteiktās rezerves daļas un piederumus.
- Pirms apkopes darbu veikšanas vai tīrīšanas atvienojiet ierīci no akumulatora.
- Regulāri pārbaudiet ierīci un veiciet tās apkopi. Uzticiet ierīces remontēšanu tikai pilnvarotam remonta tehnikam.
- Ja ierīci nelietojat, novietojiet to bērniem neaizsniedzamā vietā.
- Gadījumos, kas nav aprakstīti šajā rokasgrāmatā, esiet uzmanīgs un rīkojieties prātīgi. Lai saņemtu palīdzību, sazinieties ar EGO apkopes centru.

- Saglabājiet šos norādījumus. Regulāri pārskatiet tos un lietojiet, lai iepazīstinātu citus lietotājus, kas arī var izmantot šo darbarīku. Ja kādam aizdodat šo darbarīku, pievienojiet arī šos norādījumus, lai nepieļautu nepareizu darbarīka izmantošanu un ievainojumu rašanos.

## SAGLABĀJIET ŠOS NORĀDĪJUMUS!

**PIEZĪME. LAI IEGŪTU PAPILDINFORMĀCIJU PAR KONKRĒTIEM DROŠĪBAS NOTEIKUMIEM, SKATIET SAVAS INSTRUMENTGALVAS LIETOTĀJA ROKASGRĀMATU**

## SPECIFIKĀCIJAS

Asmens garums	20 cm	
Apmaļu griešanas dziļums	Līdz pat 75 mm	
Svars	2,26 kg	
Izmērītais skaņas jaudas līmenis $L_{WA}$	92,4 dB(A) K=2,07 dB(A)	
Skaņas spiediena līmenis pie operatora auss $L_{PA}$	79,8 dB(A) K=3 dB(A)	
Garantētais skaņas jaudas līmenis $L_{WA}$ (mērīts saskaņā ar 2000/14/EK)	95 dB(A)	
Vibrācija $a_h$	Priekšējais palīgrokturis	1,2 m/s <sup>2</sup> K=1,5 m/s <sup>2</sup>
	Aizmugurējais rokturis	2,2 m/s <sup>2</sup> K=1,5 m/s <sup>2</sup>

- Iepriekš minētie parametri ir pārbaudīti un izmērīti kopā ar instrumentgalvu PH1400E;
- Norādītā kopēja vibrācijas vērtība tika mērīta saskaņā ar parastu mērīšanas paņēmienu; tā var tikt izmantota darbarīku salīdzināšanai.
- Norādīto kopējo vibrācijas vērtību var izmantot arī sākotnējai ietekmes izvērtēšanai.

**PIEZĪME:** Vibrācijas līmenis mehānizētā darbarīka lietošanas laikā var atšķirties no norādītās vērtības, ar kādu tiek lietots darbarīks. Lai aizsargātu operatoru, jāizmanto cimdi un dzirdes aizsarglīdzekļi.

## KOMPLEKTĀCIJA

DAĻAS NOSAUKUMS	DAUDZUMS
Apmāļu griezēja papildierīce	1
Seškanšu uzgriežņu atslēga	1
Daudzfunkcionālā uzgriežņu atslēga	1
Šķelttapa	2
Lietošanas rokasgrāmata	1

### Ieteicamais asmens

DAĻAS NOSAUKUMS	MODEĻA NUMURS
Apmāļu griezēja asmens	AEB0800

## APRAKSTS

### PĀRZINIET SAVU APMAĻU GRIEZĒJA PAPILDIERĪCI (A attēls)

1. Noslēgs
2. Apmāļu griezēja kāts
3. Asmens aizsargs
4. Asmens
5. Dziļuma regulēšanas poga
6. Vadritenis
7. Seškanšu uzgriežņu atslēga
8. Daudzfunkcionālā uzgriežņu atslēga
9. Dziļuma regulēšanas vadotnes sliede
10. Gružu sargs
11. Šķelttapa
12. Skrūve, kas nofiksē vadplāksni savā vietā
13. Vadplāksne

## MONTĀŽA

**⚠ BRĪDINĀJUMS.** Ja kāda no daļām trūkst vai ir bojāta, nelietojiet šo izstrādājumu, līdz daļas ir nomainītas. Izmantojot šo izstrādājumu, ja trūkst kāda no daļām vai arī tā ir bojāta, var rasties smagas traumas.

**⚠ BRĪDINĀJUMS.** Nemēģiniet pārveidot šo izstrādājumu vai pievienot piederumus, kuru izmantošana šajā auklas trimērī nav ieteicama. Jebkādas šādas izmaiņas vai pārveidojumi ir ierīces neatbilstoša lietošana un var izraisīt bīstamu situāciju un smagu traumu.

**⚠ BRĪDINĀJUMS! Neregulējiet asmens aizsargu.** Asmens aizsargs rūpnīcā ir uzstādīts tā, ka uz asmens aizsarga esošā bulta un atvērta daļa ir vērsta projām no lietotāja. Tādējādi tiek nodrošināts, ka atgriezumi un citi gruži tiek novirzīti projām no elektroinstrumenta un tā lietotāja.

### APMAĻU GRIEZĒJA PAPILDIERĪCES PIEVIENOŠANA INSTRUMENTĀLVAI

Šī apmaļu griezēja papildierīce ir paredzēta lietošanai kopā ar EGO 56 V instrumentgalvu PH1400E ar litiiju jona akumulatoru.

Skatiet sadaļu „**PAPILDIERĪCES PIEVIENOŠANA INSTRUMENTĀLVAI**” instrumentgalvas PH1400E lietotāja rokasgrāmātā.

## LIETOŠANA

**⚠ BRĪDINĀJUMS.** Iepazīstot darbu ar šo ierīci, nekļūstiet nolaidīgs. Atcerieties, ka neuzmanība sekundes daļā var radīt smagu traumu.

**⚠ BRĪDINĀJUMS.** Vienmēr izmantojiet acu aizsarglīdzekļus ar sānu aizsargiem. Kopā ar dzirdes aizsarglīdzekļiem. To nedarot, acis var tikt iesviesti svešķermeņi, kā arī rasties citas smagas traumas.

### PIELIETOJUMS

Šo izstrādājumu var lietot tālāk norādītajiem mērķiem:

- Apmāļu griešanai gar taciņām, nožogojumiem, puķu dobēm un tamlīdzīgām zonām.

**PIEZĪME.** Šo instrumentu drīkst izmantot tikai aprakstītajam mērķim. Izmantošana jebkādā citā veidā tiks uzskatīta par neatbilstošu lietošanu.

### Pirms katras trimera lietošanas reizes pārbaudiet, vai nav bojātu un nodilušu daļu

Pārbaudiet ierīces piespiežamo galvu, aizsargu un priekšējo rokturi un nomainiet detaļas, ja tās ir saplaisājušas, savijušās, salocījušās vai bojātas.

**⚠ BRĪDINĀJUMS!** Lai nepieļautu nopietnus ievainojumus, pirms instrumenta apkopes, tīrīšanas, papildierīču maiņas vai nogrieztā materiāla izņemšanas izņemiet akumulatora bloku.

## APMAĻU GRIEZĒJA PAPILDIERĪCES PIEVIENOŠANA INSTRUMENTGALVAI

**⚠ BRĪDINĀJUMS!** Ģērbieties atbilstīgi, lai mazinātu traumu rašanās draudus, lietojot šo darbarīku. Nevalkājiet vaļīgu apģērbu vai rotaslietas. Izmantojiet acu un dzirdes aizsargtīdzekļus. Valkājiet izturīgas, garas bikses, apavus un cimdus. Nevalkājiet tsās bikses, sandales; neejiet basām kājām. Putekljainā vidē lietojiet sejas vai putekļu masku.

**⚠ BRĪDINĀJUMS!** Atbrīvojiet darba zonu no jebkādiem šķēršļiem un cietajiem objektiem.

Lai nodrošinātu drošu un labāku darbību, nēsājiet plecu siksnu, pārliedot to pāri plecam. Noregulējiet plecu siksnu ērtā darba pozīcijā.

Vienmēr turiet apmaļu griezēju tā, lai labā roka turētu aizmugurējo rokturi, savukārt kreisā roka priekšējo palīgrokturi. Instrumenta lietošanas laikā stingri turiet to ar abām rokām. Apmāļu griezējs jātur ērtā pozīcijā tā, lai aizmugurējais rokturis atrastos apmēram gurnu augstumā (B attēls).

**⚠ BRĪDINĀJUMS!** Plecu siksnai ir arī ātrās atbrīvošanas mehānisms bīstamām situācijām. Avārijas situācijas gadījumā nekavējoties noņemot siksnu no pleca neatkarīgi no tā, kādā pozīcijā tā atrodas.

### Pēc katras apmaļu griezēja lietošanas reizes notīriet to.

Skatiet sadaļu „APKOPE”, lai iepazītos ar tīrīšanas norādījumiem.

### PLĀUŠANAS DZĪLUMA REGULĒŠANA

1. Apturiet dzinēju un izņemiet akumulatora bloku.
2. Atskrūvējiet dziļuma regulēšanas pogu, griežot to atbloķēšanas bultas, kas redzama uz pogas, norādītajā virzienā (C attēls).
3. Pārvietojiet vadriteni pa dziļuma regulēšanas vadotnes sliedi uz augšu, lai palielinātu griešanas dziļumu, vai arī uz leju, lai samazinātu dziļumu (D attēls).
4. Noregulējiet vadriteni tā, lai asmens tikai gandrīz pieskartos zemei vai uzrušinātu augsni ne vairāk kā 5 mm dziļumā (E attēls), un stingri pievelciet to.
5. Stāvēt parastajā darba stājā, vēlreiz pārbaudiet griešanas dziļumu un, ja nepieciešams, izlabojiet to.

### IERĪCES IEDARBINĀŠANA/APTURĒŠANA

Skatiet sadaļu „INSTRUMENTGALVAS IEDARBINĀŠANA/APTURĒŠANA” instrumentgalvas PH1400E lietotāja rokasgrāmatā.

## EKSPLUATĀCIJAS IETEIKUMI

- Turiet un vadiet instrumentgalvu tā, lai asmens atrastos vertikālā pozīcijā. Izmantojiet redzamības līniju, lai novietotu asmeni tieši pie gultnes malas (F attēls).
- Darba laikā nepārvietojieties ātrāk par parastu iešanas ātrumu. Ja asmens sāk nogrimt, jūs griežat pārāk ātri; palēniniet savu gaitu.
- Griešanas laikā vienmēr pārvietojieties uz priekšu un pārvietojiet apmaļu griezēju tikai virzienā uz priekšu. Nevelciet apmaļu griezēju uz savu pusi.
- Nespiediet asmeni ar spēku zemē. Neliela asmens saskare ar taciņas malu, nožogojumu u. tml. ir pieņemama un neradīs apmaļu griezēja bojājumus.
- Labākos rezultātus iespējams sasniegt, kad zāle ir sausa. Negrieziet mitru augsni vai zāli, jo tā var aizsprostot asmens aizsargu un radīt nelīdzenu malu. Ja asmens aizsargs nosprostojas, apturiet dzinēju, izņemiet akumulatora bloku un izņemiet grūzus no asmens aizsarga.

## APKOPE

**⚠ BRĪDINĀJUMS!** Pirms ierīces pārbaudes, tīrīšanas vai apkopšanas, apturiet dzinēju, pagaidiet līdz visas kustīgās daļas ir pārstājušas kustēties un izņemiet akumulatora bloku. Šo noteikumu neievērošana var radīt nopietnus ievainojumus vai materiālos zaudējumus.

**⚠ BRĪDINĀJUMS.** Veicot apkopi, izmantojiet tikai identiskas nomaināmas daļas. Regulāri pārbaudiet ierīci un veiciet tās apkopi. Lai garantētu drošību un uzticamību, ierīci drīkst remontēt tikai kvalificēts apkopes tehniķis.

### VISPĀRĒJĀ APKOPE

Tīrot plastmasas detaļas, neizmantojiet šķīdinātājus. Vairums plastmasu ir uzņēmīgas pret dažāda veida komerciālu šķīdinātāju bojājumiem un, tos izmantojot, var tikt sabojātas. Lai notīrītu neīrimumus, putekļus, eļļu, smērvielas u. c., izmantojiet tīras lupatiņas.

### IERĪCES TĪRĪŠANA

- Pēc katras lietošanas reizes ar maigu suku notīriet grūzus, iesprūdušu augsni vai zāli no asmens un aizsarga. Noslaukiet apmaļu griezēja virsmu ar tīru drānu, kas samitrināta ar maigu ziepju šķīdumu.
- Ventilācijas atveru tīrīšanai korpusa aizmugurē izmantojiet nelielu suku vai nelielu putekļsūcēja suku ar gaisa izplūdi.

**PIEZĪME.** Netīriet plastmasas korpusu un rokturi ar kodīgiem tīrīšanas līdzekļiem. Plastmasas daļas var sabojāt ar noteiktām aromatizētājām eļļām, piemēram, priežu un citrona.

## ASMENS MAIŅA

**▲ BRĪDINĀJUMS!** Nemēģiniet iztaisnot vai metināt salocītu vai ieplaisājušu asmeni, jo tas var salūzt; šāds asmens ir jānomaina. Ieteicams nomainīt tikai pret EGO apmaļu griezēja asmeni, skatiet sadaļu „Ieteicamais asmens”.

**PIEZĪME.** Nomainiet asmeni, ja tā garums vairs nav pietiekams, lai nodrošinātu nepieciešamo attālumu līdz zemei un nepieciešamo griešanas dziļumu.

**▲ BRĪDINĀJUMS!** Vienmēr sargājiet rokas, valkājot blīvus cimdus vai aptinot asmeni ar drānām vai citiem materiāliem, kamēr veicat apmaļu griezēja asmens apkopes darbus.

### Asmens noņemšana

1. Apturiet dzinēju un izņemiet akumulatora bloku.
2. Novietojiet apmaļu griezēju uz tā muguras tā, lai asmens būtu vērsts uz augšpusi.
3. Valkājiet aizsargcimdus. Izmantojiet plakanknaibles ar smailiem galiem (nav iekļautas komplektācijā), lai izņemtu šķelttapu no dzinēja vārpstas (G attēls).
4. Pagrieziet asmeni tā, lai atloka sprauga atrastos tieši pret pārnēsukārības atveri (G attēls).

G. attēla detaļu aprakstu skatīt zemāk:

G-1	Šķelttapa
G-2	Iekšējais atloks
G-3	Pārnēsukārība

5. Ievietojiet komplektācijā iekļauto seškanšu atslēgu atbilstošajās atverēs, lai izmantotu to kā stabilizatoru. Izmantojiet komplektācijā iekļauto daudzfunkcionālo uzgriežņu atslēgu, lai atskrūvētu uzgriezni, griežot to **pulksteņa rādītāju kustības virzienā** (H attēls).
6. Noņemiet uzgriezni, ārējo atloku, asmeni un iekšējo atloku no dzinēja vārpstas (I attēls). Pārbaudiet šos elementus un, ja tie ir nodiluši, nomainiet.

I attēla detaļu aprakstu skatiet tālāk:

I-1	Dzinēja vārpsta	I-5	Asmens
I-2	Iekšējais atloks	I-6	Ārējais atloks
I-3	Sprauga iekšējā atlokā	I-7	Uzgrieznis
I-4	Izcilnis uz iekšējā atloka	I-8	Šķelttapa

### Asmens uzstādīšana

1. Novietojiet iekšējo atloku uz dzinēja vārpstas tā, lai izcilnis būtu vērsts uz ārpusi (I attēls).
2. Uzstādiet jauno asmeni uz iekšējā atloka, pārliecinoties, ka asmens ir stingri novietots savā vietā (J attēls).

3. Uzstādiet ārējo atloku un uzgriezni uz vārpstas un ar roku pievelciet uzgriezni, griežot to **pulksteņa rādītāju kustības virzienā**.
4. Veiciet iepriekš sadaļā „Asmens noņemšana” norādīto 4. un 5. darbību, lai stabilizētu asmeni un varētu cieši pievilkt uzgriezni, griežot to **pretēji pulksteņa rādītāju kustības virzienam**.
5. Ievietojiet jaunu komplektācijā iekļauto šķelttapu dzinēja vārpstas atverē. Nolokiet divas šķelttapas kājiņas pretējos virzienos, izmantojot plakanknaibles ar smailiem galiem (nav iekļautas komplektācijā) (G attēls).

### VADRITENĀ MAIŅA

1. Apturiet dzinēju un izņemiet akumulatora bloku.
2. Novietojiet apmaļu griezēju uz tā muguras tā, lai vadritenis būtu vērsts uz augšpusi.
3. Izskrūvējiet dziļuma regulēšanas pogu, griežot to atbloķēšanas bultas, kas redzama uz pogas, norādītajā virzienā, un noņemiet to.
4. Noņemiet atsperpaplāksni, 1. plakano paplāksni, vadriteni, caurvadizolatoru un 2. plakano paplāksni no skrūves statņa (K attēls). Pārbaudiet šos elementus un, ja tie ir nodiluši, nomainiet.
5. Uzstādiet skrūves statni, vispirms izverot to caur dziļuma regulēšanas vadotnes sliedi, un pēc tam uzstādiet uz skrūves statņa 2. plakano paplāksni, caurvadizolatoru un jauno riteni, un tad uzstādiet 1. plakano paplāksni, atsperpaplāksni un dziļuma regulēšanas pogu tādā secībā, kāda dota K attēlā.

K attēla detaļu aprakstu skatiet tālāk:

K-1	Dziļuma regulēšanas poga	K-5	Caurvadizolators
K-2	Atsperpaplāksne	K-6	2. plakana paplāksne
K-3	1. plakana paplāksne	K-7	Skrūves statnis
K-4	Vadritenis	K-8	Dziļuma regulēšanas vadotnes sliede

**PIEZĪME.** Vadritenis jāuzstāda tā, ka tā plakanie valniši būtu vērsti uz iekšpusi (L attēls).

L attēla detaļu aprakstu skatiet tālāk:

L-1	Skrūves	L-3	Gružu sargs
L-2	Plakanais valnišis	L-4	Fiksējošā plāksne

6. Nobloķējiet dziļuma regulēšanas pogu.

### GRUŽU SARGA MAIŅA (L attēls)

1. Apturiet dzinēju un izņemiet akumulatora bloku.

2. Izmantojiet komplektācijā iekļauto seškanšu uzgriežņu atslēgu, lai izskrūvētu abas skrūves.
3. Izņemiet skrūves, noņemiet fiksējošo plāksni un nodilušo grūžu sargu.
4. Uzstādiet jauno grūžu sargu un nofiksējiet to vietā ar fiksējošo plāksni un divām skrūvēm.

## PRETNODILUMA AIZSARGA/VADPLĀKSNES PĀRBAUDE UN MAIŅA (M attēls)

Pirms elektroinstrumenta lietošanas pārbaudiet, vai aizsargs un vadplāksne nav bojāti. Pretnodiluma aizsargs ir jānomaina tiklīdz pānesumkārbā kļūst redzama.

**PIEZĪME.** Pānesumkārbā var tikt nopietni bojāta, ja jūs nenomainīsiet pretnodiluma aizsargu tiklīdz pānesumkārbā kļūst redzama.

1. Apturiet dzinēju un izņemiet akumulatora bloku.
2. Valkājiet aizsargcimdus. Pagrieziet asmeni atbilstošajā pozīcijā, lai būtu redzamas abas skrūves.
3. Izmantojiet komplektācijā iekļauto seškanšu uzgriežņu atslēgu, lai izskrūvētu un izņemtu abas skrūves.

**PIEZĪME.** Ja nepieciešams nomainīt tikai vadplāksni, izskrūvējiet un izņemiet tikai 1. skrūvi.

4. Nomainiet deformēto vai nodilušo pretnodiluma aizsargu/vadplāksni.
5. Uzstādiet jauno pretnodiluma aizsargu un vadplāksni uz pānesumkārbas un nofiksējiet šos elementus ar divām skrūvēm.

M attēla detaļu aprakstu skatīt zemāk:

M-1	1. skrūve	M-4	Pretnodiluma aizsargs
M-2	Vadplāksne	M-5	Uzstādīšanas atveres
M-3	2. skrūve	M-6	Pānesumkārbā

## VADPLĀKSNES NOŅEMŠANA

Ja jums ir pieredze darbā ar šāda veida apmaļu griežēju vai arī uzskatāt, ka vadplāksne traucē veikt griešanu, jūs drīkstat noņemt vadplāksni.

1. Izskrūvējiet un izņemiet 1. skrūvi.
2. Noņemiet vadplāksni.
3. Uzstādiet atpakaļ un pievelciet 1. skrūvi.

## PĀRNESUMU ZOB RATU IEELĻOŠANA

Pānesumkārbā esošos pānesumu zobratu nepieciešams laiku pa laikam ieeļļot ar zobratu eļļu. Pārbaudiet pānesumkārbas eļļas līmeni ik pēc apmēram 50 darba stundām, izņemot pānesumkārbas sēnā esošo blīvskrūvi.

Ja uz zobrata sāniem nav redzama eļļa, vieciat turpmāk norādītas darbības, lai iepildītu zobratu eļļu līdz 3/4 no tilpnes.

Pānesumu zobratiem nav jābūt pilnībā iegrimušiem eļļā.

1. Novietojiet apmaļu griežēju vertikālā pozīcijā tā, lai blīvskrūve būtu vērsta uz augšpusi (N attēls).
2. Izmantojiet komplektācijā iekļauto daudzfunkcionālo uzgriežņu atslēgu, lai izskrūvētu un izņemtu blīvskrūvi. Izmantojiet eļļas šļirci (nav iekļauta komplektācijā), lai skrūves atverē iesmidzinātu nedaudz eļļas, tomēr nepieplūdi atveri vairāk par 3/4.
3. Pēc iesmidzināšanas stingri pievelciet blīvskrūvi.

## IERĪCES UZGLABĀŠANA

- Noņemiet akumulatora bloku no apmaļu griežēja
- Pirms uzglabāšanas kārtīgi notīriet darbarīku.
- Ja apmaļu griežēja papildierīce tiek noņemta no instrumentgalvas un glabāta atsevišķi, uz piederuma kāta uzstādiet noslēgu, lai novērstu netrūmu iekļūšanu savienotājā.
- Uzglabājiet ierīci sausā, labi vēdināmā, aizsildzamā vai augstā — bērniem nepieejamā — vietā. Neuzglabājiet ierīci blakus mēslojumam, degvielai vai citām ķīmikālijām.

### Apkārtējās vides aizsardzība



Neizmetiet elektroierīces, akumulatora lādētājus un baterijas/uzlādējamus akumulatorus mājsaimniecības atkritumos!

Saskaņā ar Eiropas likumu 2012/19/ES, un 2006/66/EK nolietotais elektriskais un elektroniskais aprīkojums, bojāti vai lietoti akumulatora bloki/baterijas jāsavāc atsevišķi.

Ja elektroierīces tiek izmestas atkritumu poligonos vai izgāztuvēs, gruntsūdenī var iekļūt bīstamas vielas, piesārņojot barības ķēdi, kaitējot veselībai un labsajūtai.

### EK ATBILSTĪBAS DEKLARĀCIJA

Mēs, EGO EUROPE GMBH

Wahlwiesenstrasse 1, D-71711 Steinheim an der Murr  
Deutschland

Apliecinām, ka šis izstrādājums, **56 V litija-jonu bezvadu malu griezēja pierīce EA0800**, kas aprīkota ar instrumentgalvu PH1400E

atbilst šādu direktīvu galvenajām veselības aizsardzības un drošības prasībām:

2006/42/EK, 2014/30/EK, 2011/65/ES, 2000/14/EK.

Atsauces uz šādiem standartiem un tehniskajiem datiem:

EN 60745-1, ISO 11789-1, EN 55014-1, EN 55014-2

Izmērītais skaņas jaudas līmenis: 92,4 dB(A).

Garantētais skaņas jaudas līmenis: 95 dB(A)

Peter Melrose  
„EGO Europe GmbH”  
ģenerāldirektors

Dong Jianxun  
Chervon kvalitātes nodaļas vadītājs

\* (pilnvarotais CHERVON pārstāvis un atbildīgais par tehnisko dokumentāciju)

01/12/2016

## KĻŪMJU NOVĒRŠANA

PROBLĒMA	CĒĻONIS	RISINĀJUMS
Dzinējs needarbojas.	<ul style="list-style-type: none"> <li>■ Instrumentgalvai nav uzstādīts akumulatora bloks.</li> <li>■ Starp instrumentgalvu un akumulatora bloku nav elektriskā savienojuma.</li> <li>■ Akumulatora bloks ir izlādējies.</li> <li>■ Vienlaikus nav nospiesta bloķēšanas poga un pārslēdzējs.</li> </ul>	<ul style="list-style-type: none"> <li>■ Uzstādiet instrumentgalvai akumulatora bloku.</li> <li>■ Izņemiet akumulatoru, pārbaudiet visus savienojumus un ievietojiet atpakaļ akumulatora bloku tā, lai tas nofiksētos vietā.</li> <li>■ Uzlādējiet akumulatora bloku, izmantojot šajā rokasgrāmatā norādītās EGO uzlādes ierīces.</li> <li>■ Nospiediet bloķēšanas sviru un turiet to, tad nospiediet pārslēdzēju, lai ieslēgtu auklas trimeri.</li> </ul>
Instrumentgalva pārtrauc darboties lietošanas laikā.	<ul style="list-style-type: none"> <li>■ Motora pārslodze.</li> <li>■ Akumulatora bloks vai instrumentgalva ir pārāk karsta.</li> <li>■ Akumulatora bloks ir atvienots no darbarīka.</li> <li>■ Akumulatora bloks ir izlādējies.</li> </ul>	<ul style="list-style-type: none"> <li>■ Dzinējs atkopsies, kad tiks apturēta jaudas padeve. Lai nodrošinātu nepārtrauktu darbību, samaziniet instrumentgalvas jaudu.</li> <li>■ Ļaujiet akumulatora blokam vai instrumentgalvai atdzist līdz temperatūra nokrītas zemāk par 67 °C (152 °F).</li> <li>■ Uzstādiet atpakaļ akumulatora bloku.</li> <li>■ Uzlādējiet akumulatora bloku, izmantojot šajā rokasgrāmatā norādītās EGO uzlādes ierīces.</li> </ul>
Nelīdzena mala	<ul style="list-style-type: none"> <li>■ Griezītā zāle vai augsne ir pārāk mitra.</li> <li>■ Asmens aizsargs ir nosprostojies.</li> </ul>	<ul style="list-style-type: none"> <li>■ Negrieziet slapju augsni vai slapja zāliena malas.</li> <li>■ Apturiet dzinēju, izņemiet akumulatora bloku un izņemiet grūžus no asmens aizsarga.</li> </ul>

## GARANTIJA

**LV**

### EGO GARANTIJAS POLITIKA

Lūdzu, apmeklējiet tīmekļa vietni [egopowerplus.com](http://egopowerplus.com), kur pieejama pilna EGO Garantijas politikas noteikumu un nosacījumu versija.



## ΔΙΑΒΑΣΤΕ ΟΛΕΣ ΤΙΣ ΟΔΗΓΙΕΣ!



### ΔΙΑΒΑΣΤΕ ΤΟ ΕΓΧΕΙΡΙΔΙΟ ΧΡΗΣΗΣ

**⚠ Υπολειπόμενοι κίνδυνοι!** Άνθρωποι που φέρουν ηλεκτρονικές συσκευές όπως βηματοδότες πρέπει να συμβουλευονται τους γιατρούς τους πριν τη χρήση αυτού του προϊόντος. Η λειτουργία ηλεκτρικών εξοπλισμών κοντά σε βηματοδότη μπορεί να προκαλέσει παρεμβολές ή βλάβη στον βηματοδότη.

**⚠ ΠΡΟΕΙΔΟΠΟΙΗΣΗ:** Για να διασφαλίσετε την ασφάλεια και την αξιοπιστία, όλες οι επισκευές πρέπει να διεξάγονται από εξειδικευμένο τεχνικό του σέρβις.

## ΣΥΜΒΟΛΑ ΑΣΦΑΛΕΙΑΣ

Ο σκοπός των συμβόλων ασφαλείας είναι να σας τραβήξουν την προσοχή για ενδεχόμενους κινδύνους. Προσέξτε και κατανοήστε τα σύμβολα ασφαλείας και τις επεξηγήσεις που τα συνοδεύουν. Οι προειδοποιήσεις συμβόλων από μόνες τους δεν εξαλείφουν κανέναν κίνδυνο. Οι οδηγίες και οι προειδοποιήσεις που παρέχουν δεν υποκαθιστούν τα μέτρα σωστής πρόληψης ατυχημάτων.

**⚠ ΠΡΟΕΙΔΟΠΟΙΗΣΗ:** Βεβαιωθείτε ότι έχετε διαβάσει και κατανοήσει όλες τις οδηγίες ασφαλείας στο παρόν Εγχειρίδιο χειριστή, συμπεριλαμβανομένων όλων των συμβόλων ασφαλείας όπως «**ΚΙΝΔΥΝΟΣ**», «**ΠΡΟΕΙΔΟΠΟΙΗΣΗ**» και «**ΠΡΟΣΟΧΗ**», προτού χρησιμοποιήσετε αυτό το εργαλείο. Η μη τήρηση όλων των παρακάτω οδηγιών μπορεί να οδηγήσει σε ηλεκτροπληξία, πυρκαγιά ή/και σοβαρό ατομικό τραυματισμό.

## ΣΗΜΑΣΙΑ ΣΥΜΒΟΛΩΝ

**⚠ ΣΥΜΒΟΛΟ ΕΙΔΟΠΟΙΗΣΗΣ ΑΣΦΑΛΕΙΑΣ:** Υποδηλώνει **ΚΙΝΔΥΝΟ**, **ΠΡΟΕΙΔΟΠΟΙΗΣΗ** ή **ΠΡΟΣΟΧΗ**. Μπορεί να χρησιμοποιείται σε συνδυασμό με άλλα σύμβολα ή εικονογράμματα.






**⚠ ΠΡΟΕΙΔΟΠΟΙΗΣΗ:** Η λειτουργία ηλεκτρικών εργαλείων μπορεί να επιφέρει εκτόξευση ξένων αντικειμένων στα μάτια σας, με αποτέλεσμα σοβαρή βλάβη σε αυτά. Προτού ξεκινήσετε τη λειτουργία του ηλεκτρικού εργαλείου φοράτε πάντα προστατευτικά γυαλιά ή γυαλιά με πλευρική προστασία και εφόσον απαιτείται πλήρη προστατευτική προσωπίδα. Συστήνουμε μια προσωπίδα ασφαλείας ευρείας όρασης για χρήση πάνω από γυαλιά ή συνήθη προστατευτικά γυαλιά με πλευρική προστασία.

## ΟΔΗΓΙΕΣ ΑΣΦΑΛΕΙΑΣ

Αυτή η σελίδα απεικονίζει και περιγράφει τα σύμβολα ασφαλείας που υπάρχουν ενδεχομένως σε αυτό το προϊόν. Διαβάζετε, κατανοείτε και ακολουθείτε όλες τις οδηγίες στη μηχανή προτού προσπαθήσετε να διεξάγετε εργασίες συναρμολόγησης και λειτουργίας.

	Ειδοποίηση ασφαλείας	Υποδηλώνει ενδεχόμενο κίνδυνο ατομικού τραυματισμού.
	Διαβάστε το εγχειρίδιο χρήσης	Προκειμένου να μειωθεί ο κίνδυνος τραυματισμού, ο χρήστης πρέπει να διαβάσει και να κατανοήσει το εγχειρίδιο χρήσης προτού χρησιμοποιήσει αυτό το προϊόν.
	Να φοράτε προστασία για την ακοή και τα μάτια	Φοράτε πάντοτε προστατευτικά γυαλιά ή γυαλιά ασφαλείας με πλευρική προστασία και πλήρη προστατευτική προσωπίδα κατά τη λειτουργία αυτού του προϊόντος.
	Διατηρείτε τους παρευρισκόμενους σε ασφαλή απόσταση	Εξασφαλίστε ότι άλλα άτομα ή κατοικίδια παραμένουν σε συγκεκριμένη απόσταση από τον ακροκόφτη όταν είναι σε λειτουργία.
	Κατεύθυνση περιστροφής της λεπίδας ακροκόφτη	Υποδηλώνει την κατεύθυνση της περιστροφής λεπίδας ακροκόφτη.
	Αντικείμενα που πετιούνται	Επιθεωρήστε με προσοχή την επιφάνεια στην οποία πρόκειται να χρησιμοποιηθεί ο εξοπλισμός και απομακρύνετε όλες τις πέτρες, κλαδάκια, σύρματα, κόκαλα και άλλα ξένα αντικείμενα.
	Περιστρεφόμενη λεπίδα κοπής	Μην τοποθετείτε τα χέρια ή τα πόδια κοντά σε ή κάτω από περιστρεφόμενα εξαρτήματα.

GR

	Μην εκθέτετε στη βροχή	Μην εγκαθιστάτε μεταλλικές ή πλαστικές λεπίδες κοπής
	CE	Αυτό το προϊόν συμ-φώνει με τις ισχύουσες οδηγίες της ΕΚ.
	ΑΗΗΕ (WEEE)	Τα άχρηστα ηλεκτρικά προϊόντα δεν πρέπει να απορρίπτονται στα οικιακά απόβλητα. Παραδίδετέ τα σε μια εξουσιοδοτημένη εται-ρεία ανακύκλωσης.
	Θόρυβος	Εγγυημένη στάθμη ηχη-τικής ισχύος. Εκπομπές θορύβου στο περιβάλ-λον σύμφωνα με την οδηγία της Ευρωπαϊκής Ένωσης.
V	Volt	Τάση
mm	Χιλιοστό	Μήκος ή διαστάσεις
cm	Εκατοστό	Μήκος ή διαστάσεις
kg	Κιλό	Βάρος
	Συνεχές ρεύμα	Τύπος ή χαρακτηριστικό του ρεύματος

## ΣΗΜΑΝΤΙΚΕΣ ΟΔΗΓΙΕΣ ΑΣΦΑΛΕΙΑΣ

**⚠️ ΠΡΟΕΙΔΟΠΟΙΗΣΗ:** Όταν χρησιμοποιείτε χλοοκοπτικά με νήμα θα πρέπει να τηρείτε τις βασικές προφυλάξεις ασφάλειας, έτσι ώστε να ελαχιστοποιηθεί ο κίνδυνος πυρκαγιάς, ηλεκτροπληξίας και σωματικών βλαβών, συμπεριλαμβανομένων και των ακόλουθων.

## ΔΙΑΒΑΣΤΕ ΠΡΟΣΕΚΤΙΚΑ ΠΡΙΝ ΑΠΟ ΤΗ ΧΡΗΣΗ

### ΦΥΛΑΞΤΕ ΓΙΑ ΜΕΛΛΟΝΤΙΚΗ ΧΡΗΣΗ

**⚠️ ΚΙΝΔΥΝΟΣ:** Μην επαναπαύεστε στη μόνωση του εργαλείου έναντι ηλεκτροπληξίας. Για τη μείωση κινδύνου ηλεκτροπληξίας ποτέ μη χειρίζεστε το μηχάνημα κοντά σε σύρματα ή καλώδια (ρεύματος κ.λπ.) τα οποία μπορεί να φέρουν ηλεκτρικό ρεύμα.

**⚠️ ΠΡΟΦΥΛΑΞΗ:** Φοράτε κατάλληλη ατομική προστασία ακοής κατά τη χρήση. Υπό ορισμένες συνθήκες και χρονικές διάρκειες χρήσης, ο θόρυβος από αυτό το προϊόν μπορεί να συνεισφέρει σε απώλεια της ακοής.

GR

## Εκπαίδευση

- Διαβάστε με προσοχή όλες τις οδηγίες. Εξοικειωθείτε με τα χειριστήρια και τη σωστή χρήση του μηχανήματος.
- Ποτέ μην επιτρέπετε σε παιδιά, άτομα με μειωμένες φυσικές, αισθητηριακές ή νοητικές δυνατότητες ή με έλλειψη εμπειρίας και γνώσεων ή σε άτομα μη εξοικειωμένα με αυτές τις οδηγίες, να χρησιμοποιούν το μηχάνημα.
- Μην κόβετε ποτέ σε άκρες όταν υπάρχουν κοντά άνθρωποι, ιδιαίτερα παιδιά ή κατοικίδια ζώα.
- Έχετε υπόψη σας ότι ο χειριστής ή ο χρήστης είναι αποκλειστικά υπεύθυνος για ατυχήματα ή κινδύνους που προκύπτουν προς άλλα άτομα ή την περιουσία τους.

## Προετοιμασία

- Όταν κόβετε σε άκρες φοράτε πάντα προστασία για τα μάτια και την ακοή, τα βασικά υποδήματα και μακριά παντελόνια.
- Επιθεωρήστε με προσοχή την επιφάνεια στην οποία πρόκειται να χρησιμοποιηθεί ο εξοπλισμός και απομακρύνετε όλες τις πέτρες, κλαδάκια, σύρματα, κόκαλα και άλλα ξένα αντικείμενα.
- Πριν από τη χρήση, να επιθεωρείτε πάντα σπικιά για να ελέγχετε αν οι λεπίδες, τα μπουλόνια λεπίδας και το εξάρτημα κοπής δεν έχουν υποστεί φθορά ή βλάβη. Να αντικαθιστάτε φθαρμένες ή κατεστραμμένες λεπίδες και βίδες ταυτόχρονα ώστε να διασφαλίζετε την ισορροπία.

## Λειτουργία

- Κόβετε στις άκρες μόνο στο φως τις ημέρας ή κάτω από δυνατό τεχνητό φωτισμό.
- Πατάτε πάντα σταθερά πάνω σε επικλινές έδαφος.
- Περπατάτε, μην τρέχετε ποτέ.
- Προσέχετε ιδιαίτερα όταν κινείτε τον ακροκόφτη προς τα πίσω ή τον τραβάτε προς το μέρος σας.
- Βεβαιωθείτε ότι η λεπίδα έχει σταματήσει προτού διασχίσετε επιφάνειες διαφορετικές από γρασίδι και κατά τη μεταφορά του ακροκόφτη από και προς τον τομέα όπου θα κόψετε άκρες.
- Ποτέ μη χειρίζεστε τον ακροκόφτη με ελαττωματικά, ελλιπή ή λάθος τοποθετημένα προστατευτικά.
- Μην αλλάξετε τις ρυθμίσεις του ρυθμιστή στροφών κινητήρα ή κάνετε υπέρβαση ταχύτητας του μοτέρ.
- Ενεργοποιήστε το διακόπτη στο μοτέρ προσεκτικά, σύμφωνα με τις οδηγίες και έχοντας τα πόδια σας αρκετά μακριά από τις λεπίδες.
- Μην εκκινήσετε το μοτέρ όταν υπάρχουν παρευρισκόμενοι μπροστά από την (τις) λεπίδα(ες).

- Μην τοποθετείτε τα χέρια ή τα πόδια κοντά σε ή κάτω από περιστρεφόμενα εξαρτήματα.
- Απενεργοποιείτε πάντα το μοτέρ και αποσυνδέετε από τη μπαταρία:
  - 1) Πριν καθαρίσετε ένα μπλοκάρισμα,
  - 2) Πριν κάνετε έλεγχο, καθαρισμό ή άλλη εργασία στην (στις) λεπίδα(ες),
  - 3) Αφού χτυπήσετε ένα άγνωστο αντικείμενο: Επιθεωρήστε τη (τις) λεπίδα(ες) για τυχόν ζημιά και, αν χρειαστεί, επισκευάστε πριν ξεκινήσετε πάλι τη λειτουργία του ακροκόφτη και τον χρησιμοποιήσετε,
  - 4) Εάν ο ακροκόφτης αρχίσει να δονείται αφύσισμα (ελέγξτε αμέσως).
- Σταματάτε το μοτέρ όποτε αποχωρείτε από τον ακροκόφτη.
- Μη φορτίζετε την μπαταρία στη βροχή ή σε υγρές τοποθεσίες.
- Χρησιμοποιείτε μόνο με συστοιχίες μπαταριών και φορτιστές που αναφέρονται παρακάτω:

ΣΥΣΤΟΙΧΙΑ ΜΠΑΤΑΡΙΩΝ	ΦΟΡΤΙΣΤΗΣ
BA1120E, BA2240E, BA2800,	CH2100E
BA3360, BA4200	CH5500E

- Η συστοιχία μπαταριών πρέπει να απομακρυνθεί από τη συσκευή πριν την απόρριψη της τελευταίας.
- Η μπαταρία πρέπει να απορρίπτεται με ασφάλεια.
- Μην απορρίπτετε τις μπαταρίες στη φωτιά. Τα στοιχεία μπορεί να εκραγούν. Ελέγχετε τους τοπικούς κώδικες για πιθανές ειδικές οδηγίες απόρριψης.
- Μην ανοίγετε ή παραμορφώνετε τη μπαταρία. Ο ηλεκτρολύτης που αποδεδμεύεται είναι διαβρωτικός και μπορεί να προκαλέσει βλάβη στα μάτια ή το δέρμα. Μπορεί να είναι τοξικός εάν καταποθεί.
- Να είστε προσεκτικοί κατά το χειρισμό μπαταριών ώστε να μην βραχυκυκλωθεί η μπαταρία με αγωγίμα υλικά όπως δαχτυλίδια, βραχιόλια και κλειδιά. Η μπαταρία ή ο αγωγός μπορεί να υπερθερμανθούν και να προκαλέσουν εγκαύματα.
- Τα εργαλεία μπαταρίας δεν πρέπει να συνδέονται σε ηλεκτρική πρίζα. Γι' αυτό βρίσκονται πάντα σε κατάσταση λειτουργίας. Προσέχετε πιθανούς κινδύνους ακόμα και όταν το εργαλείο δεν λειτουργεί. Προσέχετε όταν διεξάγετε συντήρηση ή σέρβις.
- Μην πλένετε με εύκαμπο σωλήνα. Αποφεύγετε να εισέρχεται νερό στον κινητήρα και στις ηλεκτρικές συνδέσεις.

## Συντήρηση και αποθήκευση

- Διατηρείτε όλα τα παζμάδια, τα περικόχλια και τις βίδες καλά σφιγμένα, έτσι ώστε να εξασφαλιστεί η ασφαλής λειτουργία του εξοπλισμού.
- Αντικαθιστάτε τα φθαρμένα ή κατεστραμμένα εξαρτήματα.
- Μην επιχειρήσετε να επισκευάσετε το μηχανήμα μόνοι σας εκτός αν είστε εκπαιδευμένοι γι' αυτό.
- Χρησιμοποιείτε μόνο ανταλλακτικά και εξαρτήματα που συνιστώνται από τον κατασκευαστή.
- Αποσυνδέετε το μηχανήμα από τη μπαταρία πριν διεξάγετε εργασίες συντήρησης ή καθαρισμού.
- Ελέγχετε και συντηρείτε τακτικά το μηχανήμα. Οι επισκευές του μηχανήματος πρέπει πάντα να πραγματοποιούνται από ένα εξουσιοδοτημένο κέντρο επισκευής.
- Όταν δεν χρησιμοποιείτε το μηχανήμα, αποθηκεύτέ το σε μέρος όπου δεν πλησιάζουν παιδιά.
- Εάν προκύψουν καταστάσεις που δεν καλύπτονται στο παρόν εγχειρίδιο, να είστε προσεκτικοί και να κρίνετε σωστά. Επικοινωνήστε με το κέντρο σέρβις της EGO για βοήθεια.
- Φυλάξτε αυτές τις οδηγίες. Ανατρέχετε σε αυτές συχνά και χρησιμοποιείτε τις για να εκπαιδεύετε άλλους που μπορεί να χρησιμοποιήσουν το εργαλείο. Εάν δανείσετε αυτό το εργαλείο σε κάποιον άλλο, δανείστε και αυτές τις οδηγίες, ώστε να εμποδίσετε εσφαλμένη χρήση του προϊόντος και πιθανό τραυματισμό.

## ΦΥΛΑΞΤΕ ΑΥΤΕΣ ΤΙΣ ΟΔΗΓΙΕΣ!

**ΣΗΜΕΙΩΣΗ: ΔΕΙΤΕ ΤΟ ΕΓΧΕΙΡΙΔΙΟ ΧΡΗΣΗΣ ΤΗΣ ΗΛΕΚΤΡΙΚΗΣ ΣΑΣ ΚΕΦΑΛΗΣ ΓΙΑ ΕΠΙΠΡΟΣΘΕΤΟΥΣ ΕΙΔΙΚΟΥΣ ΚΑΝΟΝΕΣ ΑΣΦΑΛΕΙΑΣ.**

## ΠΡΟΔΙΑΓΡΑΦΕΣ

Μήκος λεπίδας	20 εκ	
Βάθος κοπής άκρων	Έως 75 χιλ.	
Βάρος	2,26 κιλά	
Μετρημένη στάθμη ηχητικής ισχύος $L_{WA}$	92,4 dB(A) K=2,07 dB(A)	
Στάθμη ηχητικής πίεσης στη θέση χειριστή $L_{PA}$	79,8 dB(A) K=3 dB(A)	
Εγγυημένο επίπεδο ισχύος ήχου $L_{WA}$ (σύμφωνα με 2000/14/EC)	95 dB(A)	
Δονήσεις $a_h$	Λαβή μπροστινής υποβοήθησης	1,2 m/s <sup>2</sup> K=1,5 m/s <sup>2</sup>
	Μπροστινή λαβή	2,2 m/s <sup>2</sup> K=1,5 m/s <sup>2</sup>

- Οι παραπάνω παράμετροι έχουν ελεγχθεί και μετρηθεί με εξοπλισμό ηλεκτρικής κεφαλής PH1400E;
- Η αναφερόμενη συνολική τιμή κραδασμών έχει μετρηθεί σύμφωνα με την πρότυπη μέθοδο ελέγχου και μπορεί να χρησιμοποιηθεί για τη σύγκριση ενός εργαλείου με κάποιο άλλο.
- Η αναφερόμενη συνολική τιμή κραδασμών μπορεί να χρησιμοποιηθεί επίσης για την προκαταρκτική αξιολόγηση της έκθεσης.

**ΣΗΜΕΙΩΣΗ:** Οι εκπομπές κραδασμών κατά τη διάρκεια της πραγματικής χρήσης του ηλεκτρικού εργαλείου μπορεί να διαφέρουν από τη δηλωμένη τιμή στην οποία χρησιμοποιείται το εργαλείο. Για την προστασία του χειριστή, πρέπει να χρησιμοποιούνται γάντια και προστασία της ακοής στις πραγματικές συνθήκες χρήσης.

## ΚΑΤΑΛΟΓΟΣ ΕΞΑΡΤΗΜΑΤΩΝ ΣΥΣΚΕΥΑΣΙΑΣ

ΟΝΟΜΑ ΕΞΑΡΤΗΜΑΤΟΣ	ΠΟΣΟΤΗΤΑ
Προσάρτημα ακροκόφτη	1
Εξάγωνο κλειδί	1
Κλειδί πολλαπλών λειτουργιών	1
Ασφαλιστική περόνη	2
Εγχειρίδιο χρήσης	1

GR

## Προτεινόμενη λεπίδα

ΟΝΟΜΑ ΕΞΑΡΤΗΜΑΤΟΣ	ΑΡΙΘΜΟΣ ΜΟΝΤΕΛΟΥ
Λεπίδα ακροκόφτη	ΑΕΒ0800

## ΠΕΡΙΓΡΑΦΗ

### ΓΝΩΡΙΣΤΕ ΤΟ ΠΡΟΣΑΡΤΗΜΑ ΑΚΡΟΚΟΦΤΗ (Εικ. Α)

1. Τερματικό πώμα
2. Άξονας ακροκόφτη
3. Προστατευτικό λεπίδας
4. Λεπίδα
5. Κουμπί ρύθμισης βάθους
6. Τροχός οδήγησης
7. Εξάγωνο κλειδί
8. Κλειδί πολλαπλών λειτουργιών
9. Καθοδηγητική μπάρα ρύθμισης βάθους
10. Κλαπέτο υπολειμμάτων
11. Ασφαλιστική περόνη
12. Βίδα για ασφάλιση πλάκας οδήγησης στη σωστή θέση
13. Πλάκα οδήγησης

## ΣΥΝΑΡΜΟΛΟΓΗΣΗ

**⚠️ ΠΡΟΕΙΔΟΠΟΙΗΣΗ:** Σε περίπτωση που κάποιο από τα εξαρτήματα έχουν υποστεί ζημιά ή λείπουν, μη χρησιμοποιήσετε το μηχανήμα, μέχρι να αντικατασταθούν. Η χρήση αυτού του προϊόντος με φθαρμένα ή ελλιπή εξαρτήματα μπορεί να έχει σαν αποτέλεσμα σοβαρό ατομικό τραυματισμό.

**⚠️ ΠΡΟΕΙΔΟΠΟΙΗΣΗ:** Μην επιχειρήσετε να τροποποιήσετε αυτό το εργαλείο ή να χρησιμοποιήσετε εξαρτήματα που δεν συστήνονται για χρήση με αυτό το χλοοκοπτικό με νήμα. Οποιαδήποτε τέτοια μετατροπή ή τροποποίηση μπορεί να προκαλέσει επικίνδυνες συνθήκες με επακόλουθο σοβαρό τραυματισμό

**⚠️ ΠΡΟΕΙΔΟΠΟΙΗΣΗ:** Μην ρυθμίζετε το προστατευτικό λεπίδας. Το προστατευτικό λεπίδας έχει ρυθμιστεί στο εργοστάσιο, έτσι ώστε το βέλος στο προστατευτικό λεπίδας και η ανοιχτή πλευρά να δείχνουν μακριά από το χειριστή. Έτσι εξασφαλίζεται οδήγηση των κομμένων τμημάτων και άλλων υπολειμμάτων μακριά από το ηλεκτρικό εργαλείο και το χειριστή.

## ΣΥΝΔΕΣΗ ΤΟΥ ΠΡΟΣΑΡΤΗΜΑΤΟΣ ΑΚΡΟΚΟΦΤΗ ΣΤΗΝ ΗΛΕΚΤΡΙΚΗ ΚΕΦΑΛΗ

Το προσάρτημα ακροκόφτη έχει σχεδιαστεί για χρήση με την ηλεκτρική κεφαλή λιθίου - ιόντων EGO 56 V PH1400E.

Δείτε το απόσπασμα «**ΕΓΚΑΤΑΣΤΑΣΗ ΕΝΟΣ ΠΡΟΣΑΡΤΗΜΑΤΟΣ ΣΤΗΝ ΗΛΕΚΤΡΙΚΗ ΚΕΦΑΛΗ**» στο εγχειρίδιο χρήσης της ηλεκτρικής κεφαλής PH1400E.

## ΛΕΙΤΟΥΡΓΙΑ

**⚠ ΠΡΟΕΙΔΟΠΟΙΗΣΗ:** Η εξοικειώσή σας με αυτό το προϊόν δε θα πρέπει να σας κάνει λιγότερο προσεκτικούς. Θυμηθείτε πως ένα κλάσμα δευτερολέπτου απροσεξίας μπορεί να προκαλέσει σοβαρό τραυματισμό.

**⚠ ΠΡΟΕΙΔΟΠΟΙΗΣΗ:** Φοράτε πάντα προστασία για τα μάτια με πλαϊνά προστατευτικά, μαζί με προστασία για την ακοή. Σε αντίθετη περίπτωση, είναι πιθανό να υπάρξει εκτόξευση αντικειμένων στα μάτια σας και άλλοι πιθανοί σοβαροί τραυματισμοί.

## ΕΦΑΡΜΟΓΕΣ

Μπορείτε να χρησιμοποιήσετε αυτό το προϊόν για τους κατωτέρω αναφερόμενους σκοπούς:

- Κοπή σε άκρα γύρω από μονοπάτια, κράσπεδα, παρτέρια και άλλα παρόμοια σημεία.

**ΣΗΜΕΙΩΣΗ:** Το εργαλείο πρέπει να χρησιμοποιείται αποκλειστικά για τη σκοπούμενη χρήση. Οποιαδήποτε άλλη χρήση θα χαρακτηριστεί ως περίπτωση κακής χρήσης.

## Πριν από κάθε χρήση ελέγχετε για εξαρτήματα με ζημιές/φθορές

Ελέγχετε την κεφαλή πρόσκρουσης, το προστατευτικό και τη λαβή μπροστινής υποβοήθησης και αντικαθιστάτε τα εξαρτήματα που έχουν ρωγμές, παραμόρφωση, λυγίσματα ή ζημιές οποιουδήποτε είδους.

**⚠ ΠΡΟΕΙΔΟΠΟΙΗΣΗ:** Για να εμποδίσετε σοβαρό ατομικό τραυματισμό, απομακρύνετε τη συστοιχία μπαταριών από το εργαλείο πριν από σέρβις, καθαρισμό, αλλαγή προσαρτημάτων ή αφαίρεση υλικού από τη μονάδα.

## ΧΡΗΣΗ ΤΟΥ ΠΡΟΣΑΡΤΗΜΑΤΟΣ ΑΚΡΟΚΟΦΤΗ ΜΕ ΤΗΝ ΗΛΕΚΤΡΙΚΗ ΚΕΦΑΛΗ

**⚠ ΠΡΟΕΙΔΟΠΟΙΗΣΗ:** Ντύνεστε κατάλληλα για τη μείωση κινδύνου τραυματισμού κατά τη λειτουργία αυτού του εργαλείου. Μη φοράτε φαρδιά ρούχα ή κοσμήματα. Φοράτε προστατευτικά γυαλιά και προστατευτικό αφτιών/ακοής. Φοράτε βαριά, μακριά παντελόνια, μπότες και γάντια. Μην φοράτε κοντά παντελόνια, σανδάλια και

μην είστε ζυπόλυτοι. Φοράτε μια μάσκα προσώπου ή προστασίας από σκόνη σε τοποθεσίες με σκόνη.

**⚠ ΠΡΟΕΙΔΟΠΟΙΗΣΗ:** Απομακρύνετε όλα τα εμπόδια και στερέα αντικείμενα από τον τομέα εργασίας.

Για μια ασφαλή και καλύτερη λειτουργία, τοποθετήστε τον ιμάντα ώμου εγκάρσια στον ώμο. Ρυθμίστε τον ιμάντα ώμου σε μια άνετη θέση λειτουργίας.

Κρατάτε τον ακροκόφτη με το δεξί χέρι στην οπίσθια χειρολαβή και το αριστερό χέρι στη λαβή μπροστινής υποβοήθησης. Κρατάτε σφιχτά και με τα δύο χέρια ενώ χειρίζεστε το εργαλείο. Ο ακροκόφτης πρέπει να κρατιέται σε άνετη θέση με την πίσω λαβή περίπου στο ύψος των γοφών (Εικ. Β).

**⚠ ΠΡΟΕΙΔΟΠΟΙΗΣΗ:** Ο ιμάντας ώμου είναι επίσης ένας μηχανισμός γρήγορης αποδέσμευσης σε επικίνδυνη κατάσταση. Σε επείγουσα κατάσταση αφαιρέστε τον από τον ώμο σας αμέσως, ανεξάρτητα από τη θέση του ιμάντα.

## Μετά από κάθε χρήση, καθαρίζετε τον ακροκόφτη

Δείτε το απόσπασμα ΣΥΝΤΗΡΗΣΗ για οδηγίες καθαρισμού.

## ΡΥΘΜΙΣΗ ΤΗΣ ΚΟΠΗΣ ΒΑΘΟΥΣ

1. Σταματήστε το μοτέρ και αφαιρέστε τη συστοιχία μπαταριών.
2. Λασκάρτε το κουμπί ρύθμισης βάθους στην κατεύθυνση του σημειωμένου βέλους απασφάλισης στο κουμπί (Εικ. C).
3. Μετακινήστε τον τροχό οδήγησης κατά μήκος της οδηγητικής μπάρας ρύθμισης βάθους και επάνω για να αυξήσετε το βάθος κοπής ή κάτω για να μειώσετε το βάθος (Εικ. D).
4. Ρυθμίστε τον τροχό οδήγησης έτσι ώστε η λεπίδα απλά να ανιγίζει το έδαφος ή να ανακόπτει την επιφάνεια του εδάφους όχι περισσότερο από 5 χιλ. (Εικ. E) και κατόπιν σφίξτε τον με ασφάλεια.
5. Ενώ στέκεστε με κανονική θέση εργασίας, ελέγξτε το βάθος κοπής εκ νέου και διορθώστε το εάν απαιτείται.

## ΕΝΑΡΞΗ/ΣΤΑΜΑΤΗΜΑ ΤΟΥ ΕΡΓΑΛΕΙΟΥ

Δείτε το απόσπασμα «**ΕΝΑΡΞΗ/ΣΤΑΜΑΤΗΜΑ ΤΗΣ ΗΛΕΚΤΡΙΚΗΣ ΚΕΦΑΛΗΣ**» στο εγχειρίδιο χρήσης της ηλεκτρικής κεφαλής PH1400E.

## ΥΠΟΔΕΙΞΕΙΣ ΛΕΙΤΟΥΡΓΙΑΣ

- Κρατάτε και οδηγείτε την ηλεκτρική κεφαλή έτσι ώστε η λεπίδα να είναι κάθετη. Χρησιμοποιείτε τη γραμμική οπτική επαφής για την ευθυγράμμιση της λεπίδας προς τα επάνω με την ακμή παρτεριού (Εικ. F).

GR

- Μη χειρίζεστε με ανώτερο από τον φυσιολογικό ρυθμό εργασίας. Εάν η λεπίδα αρχίσει να καθυστερεί, κόβετε πολύ γρήγορα. Μειώστε το ρυθμό σας.
- Να περπατάτε πάντα προς τα εμπρός όταν κόβετε και να μετακινείτε τον ακροκόφτη προς τα εμπρός. Μην τραβάτε τον ακροκόφτη προς εσάς.
- Μην ωθείτε με δύναμη τη λεπίδα μέσα στο έδαφος. Ελαφριά επαφή της λεπίδας προς την ακμή πεζοδρομίου, του κράσπεδου κ.λπ. είναι δυνατή και δεν θα προκληθεί ζημιά στον ακροκόφτη.
- Τα καλύτερα αποτελέσματα επιτυγχάνονται όταν το γρασίδι είναι στεγνό. Αποφεύγετε να κόβετε σε βρεγμένο χώμα ή βρεγμένους τομείς γρασιδιού αλλιώς η λεπίδα θα μπλοκάρει και θα δημιουργηθεί ανομοιόμορφη ακμή. Εάν το προστατευτικό λεπίδας μπλοκάρει, σταματήστε το μοτέρ, αφαιρέστε τη συστοιχία μπαταριών και απομακρύνετε τα υπολείμματα από το προστατευτικό λεπίδας.

## ΣΥΝΤΗΡΗΣΗ

**⚠️ ΠΡΟΕΙΔΟΠΟΙΗΣΗ:** Πριν τον έλεγχο, τον καθαρισμό ή τη συντήρηση της μονάδας, σταματήστε το μοτέρ, περιμένετε να σταματήσουν όλα τα κινούμενα εξαρτήματα και απομακρύνετε τη συστοιχία μπαταριών. Η μη τήρηση των οδηγιών μπορεί να οδηγήσει σε σοβαρό τραυματισμό ή υλικές ζημιές.

**⚠️ ΠΡΟΕΙΔΟΠΟΙΗΣΗ:** Όταν κάνετε συντήρηση του εργαλείου, χρησιμοποιείτε μόνο ίδια ανταλλακτικά. Η χρήση οποιωνδήποτε άλλων εξαρτημάτων μπορεί να προκαλέσει κίνδυνο ή υλικές ζημιές. Για να διασφαλίζετε την ασφάλεια και την αξιοπιστία, όλες οι επισκευές και οι αντικαταστάσεις πρέπει να διεξάγονται από εξειδικευμένο τεχνικό του σέρβις.

### ΓΕΝΙΚΗ ΣΥΝΤΗΡΗΣΗ

Αποφύγετε τη χρήση διαλυτών κατά τον καθαρισμό των πλαστικών εξαρτημάτων. Τα περισσότερα πλαστικά είναι ευπαθή στη χρήση διαφόρων τύπων διαλυτών του εμπορίου και καταστρέφονται από τη χρήση τους. Χρησιμοποιείτε καθαρό πανί για την απομάκρυνση βρωμιάς, σκόνης, λαδιού, γράσου κτλ.

### ΚΑΘΑΡΙΣΜΟΣ ΤΗΣ ΜΟΝΑΔΑΣ

- Μετά από κάθε χρήση καθαρίζετε τα υπολείμματα, χώμα που έχει μπλοκάρει ή γρασίδι στη λεπίδα και το προστατευτικό χρησιμοποιώντας μια μαλακιά βούρτσα. Σκουπίστε την επιφάνεια ακροκόφτη με ένα καθαρό πανί νοτισμένο με ένα ήπιο διάλυμα σαπουνάδας.

- Use a small brush or the air discharge of a small vacuum cleaner brush to clean the air vents free of obstructions on the rear housing.

**ΣΗΜΕΙΩΣΗ:** Μη χρησιμοποιήσετε κανένα δραστικό απορρυπαντικό πάνω στο πλαστικό περίβλημα ή τη λαβή. Μπορεί να προκληθούν ζημιές λόγω ορισμένων αρωματικών ελαίων όπως από πεύκο και λεμόνι.

### ΑΝΤΙΚΑΤΑΣΤΑΣΗ ΤΗΣ ΛΕΠΙΔΑΣ

**⚠️ ΠΡΟΕΙΔΟΠΟΙΗΣΗ:** Μην προσπαθείτε να ισιώσετε ή συγκολλήσετε μια λυγισμένη ή ραγισμένη λεπίδα διότι μπορεί να σπάσει. Πρέπει να την αντικαταστήσετε. Συστήνουμε αντικατάσταση μόνο με λεπίδες ακροκόφτη της EGO, δείτε το απόσπασμα «Προτεινόμενη λεπίδα».

**ΣΗΜΕΙΩΣΗ:** Αντικαταστήστε τη λεπίδα εάν το μήκος της δεν αρκεί πλέον για τη διατήρηση του απαιτούμενου κενού και δεν λαμβάνετε πλέον το απαιτούμενο βάθος κοπής.

**⚠️ ΠΡΟΕΙΔΟΠΟΙΗΣΗ:** Προστατεύετε πάντα τα χέρια σας φορώντας βαριά γάντια ή τυλίγοντας τη λεπίδα με πανιά ή άλλα υλικά όταν διεξάγετε συντήρηση στη λεπίδα ακροκόφτη.

### Αφαίρεση της λεπίδας

1. Σταματήστε το μοτέρ και αφαιρέστε τη συστοιχία μπαταριών.
2. Αποθήστε τον ακροκόφτη στο πίσω μέρος του, έτσι ώστε η λεπίδα να βλέπει προς τα επάνω.
3. Φοράτε προστατευτικά γάντια. Χρησιμοποιήστε πένσα (δεν περιλαμβάνεται) για να απομακρύνετε την ασφαλιστική περόνη από τον άξονα μοτέρ (Εικ. G).
4. Περιστρέψτε τη λεπίδα για να ευθυγραμμίσετε την υποδοχή στη φλάντζα με την οπή στο κιβώτιο γραναζιών (Εικ. G).

Εικ. G Περιγραφή εξαρτημάτων, δείτε παρακάτω:

G-1	Ασφαλιστική περόνη
G-2	Εσωτερική φλάντζα
G-3	Κιβώτιο γραναζιών

5. Εισαγάγετε το παρεχόμενο εξαγνο κλειδί μέσα στις ευθυγραμμισμένες οπές, ώστε να ενεργήσει ως σταθεροποιητής. Χρησιμοποιήστε το παρεχόμενο κλειδί πολλαπλών λειτουργιών για να λασκάρετε το παζιμάδι ΔΕΞΙΟΣΤΡΟΦΑ (Εικ. Η).
6. Απομακρύνετε το παζιμάδι, την εξωτερική φλάντζα, τη λεπίδα και την εσωτερική φλάντζα από τον άξονα μοτέρ (Εικ. Ι). Ελέγξτε και αντικαταστήστε εάν έχουν φθαρεί.

Εικ. Ι Περιγραφή εξαρτημάτων, δείτε παρακάτω:

I-1	Άξονας μοτέρ	I-5	Λεπίδα
I-2	Εσωτερική φλάντζα	I-6	Εξωτερική φλάντζα
I-3	Υποδοχή στην εσωτερική φλάντζα	I-7	Παξιμάδι
I-4	Προεξοχή στην εσωτερική φλάντζα	I-8	Ασφαλιστική περόνη

### Τοποθέτηση της Λεπίδας

1. Τοποθετήστε την εσωτερική φλάντζα επάνω στον άξονα μοτέρ με την προεξοχή να βλέπει προς τα έξω (Εικ. Ι).
2. Εγκαταστήστε τη νέα λεπίδα επάνω στην εσωτερική φλάντζα, διασφαλίζοντας ότι η λεπίδα έχει τοποθετηθεί στη θέση της με ασφάλεια (Εικ. J).
3. Τοποθετήστε την εξωτερική φλάντζα και το παξιμάδι επάνω στον άξονα και σφίξτε αρχικά το παξιμάδι **ΑΡΙΣΤΕΡΟΣΤΡΟΦΑ** με το χέρι.
4. Ακολουθήστε τα ανωτέρω βήματα 4 & 5 στο απόσπασμα «Απομάκρυνση της λεπίδας» για να σταθεροποιήσετε τη λεπίδα και να σφίξετε με ασφάλεια το παξιμάδι **ΑΡΙΣΤΕΡΟΣΤΡΟΦΑ**.
5. Εισαγάγετε την νέα παρεχόμενη ασφαλιστική περόνη μέσα στην οπή στον άξονα μοτέρ. Κάμψτε τα δύο πόδια της περόνης σε αντίθετες κατευθύνσεις με μια πένσα (δεν περιλαμβάνεται) (Εικ. G).

### ΑΝΤΙΚΑΤΑΣΤΑΣΗ ΤΟΥ ΤΡΟΧΟΥ ΟΔΗΓΗΣΗΣ

1. Σταματήστε το μοτέρ και αφαιρέστε τη συστοιχία μπαταριών.
2. Αποθέστε τον ακροκόφτη στο πίσω μέρος του, έτσι ώστε ο τροχός οδήγησης να βλέπει προς τα επάνω.
3. Λασκάρτε το κουμπί ρύθμισης βάθους στην κατεύθυνση του σημειωμένου βέλους απασφάλισης στο κουμπί και αφαιρέστε το.
4. Απομακρύνετε το γκρόβερ, την απλή ροδέλα 1, τον τροχό οδήγησης, το χιτώνιο και την απλή ροδέλα 2 από τη βιδωτή ράβδο (Εικ. Κ). Ελέγξτε και αντικαταστήστε εάν έχουν φθαρεί.
5. Τοποθετήστε τη βιδωτή ράβδο πρώτα μέσα από την οδηγητική μπάρα ρύθμισης βάθους και κατόπιν τοποθετήστε την απλή ροδέλα 2, το χιτώνιο και τον νέο τροχό, μετά τοποθετήστε την απλή ροδέλα 1, το γκρόβερ και το κουμπί ρύθμισης βάθους επάνω στη βιδωτή ράβδο με τη σειρά που φαίνεται στην Εικ. Κ.

Εικ. Κ Περιγραφή εξαρτημάτων, δείτε παρακάτω:

K-1	Κουμπί ρύθμισης βάθους	K-5	Χιτώνιο
K-2	Γκρόβερ	K-6	Απλή ροδέλα 2
K-3	Απλή ροδέλα 1	K-7	Βιδωτή ράβδος
K-4	Τροχός οδήγησης	K-8	Οδηγητική μπάρα ρύθμισης βάθους

**ΣΗΜΕΙΩΣΗ:** Ο τροχός οδήγησης πρέπει να τοποθετείται με τις πλατιές νευρώσεις κοπάζοντας προς τα μέσα (Εικ. L).

Εικ. L Για την περιγραφή των εξαρτημάτων δείτε παρακάτω:

L-1	Βίδες	L-3	Κλαπέτο υπολειμμάτων
L-2	Επίπεδη νεύρωση	L-4	Πλάκα σταθεροποίησης

6. Ασφαλίστε το κουμπί ρύθμισης βάθους.

### ΑΝΤΙΚΑΤΑΣΤΑΣΗ ΤΟΥ ΚΛΑΠΕΤΟ ΥΠΟΛΕΙΜΜΑΤΩΝ (Εικ. L)

1. Σταματήστε το μοτέρ και αφαιρέστε τη συστοιχία μπαταριών.
2. Χρησιμοποιήστε το παρεχόμενο εξάγωνο κλειδί για να λασκάρτε τις δύο βίδες.
3. Απομακρύνετε τις βίδες, την πλάκα σταθεροποίησης και το φθαρμένο κλαπέτο υπολειμμάτων.
4. Αντικαταστήστε με ένα νέο κλαπέτο υπολειμμάτων και ασφαλίστε το με την πλάκα σταθεροποίησης και τις δύο βίδες.

### ΕΛΕΓΧΟΣ ΚΑΙ ΑΝΤΙΚΑΤΑΣΤΑΣΗ ΤΟΥ ΠΡΟΣΤΑΤΕΥΤΙΚΟΥ ΚΑΤΑ ΤΗΣ ΦΘΟΡΑΣ/ΤΗΣ ΠΛΑΚΑΣ ΟΔΗΓΗΣΗΣ (Εικ. Μ)

Ελέγξτε το προστατευτικό κατά της φθοράς και την πλάκα οδήγησης για ζημιές προτού εκκινήσετε το ηλεκτρικό εργαλείο. Το προστατευτικό κατά της φθοράς πρέπει να αντικαθίσταται μόλις το κιβώτιο γραναζιών γίνει ορατό.

**ΣΗΜΕΙΩΣΗ:** Το κιβώτιο γραναζιών μπορεί να πάθει σοβαρή ζημία εάν δεν αντικαταστήσετε το προστατευτικό κατά της φθοράς μόλις γίνει ορατό το κιβώτιο γραναζιών.

1. Σταματήστε το μοτέρ και αφαιρέστε τη συστοιχία μπαταριών.
2. Φοράτε προστατευτικά γάντια. Περιστρέψτε τη λεπίδα όπως απαιτείται για να εκθέσετε τις δύο βίδες.
3. Χρησιμοποιήστε το παρεχόμενο εξάγωνο κλειδί για να λασκάρτε τις δύο βίδες και να τις απομακρύνετε.

GR

**ΣΗΜΕΙΩΣΗ:** Εάν πρέπει απλά να αντικαταστήσετε την πλάκα οδήγησης, λασκάρετε και απομακρύνετε μόνο τη βίδα 1.

4. Αντικαταστήστε το παραμορφωμένο ή φθαρμένο προστατευτικό κατά της φθοράς/πλάκα οδήγησης.
5. Συναρμολογήστε το νέο προστατευτικό κατά της φθοράς και την πλάκα οδήγησης επάνω στο κιβώτιο γραναζιών και ασφαλίστε τα με τις δύο βίδες.

Εικ. Μ Για την περιγραφή των εξαρτημάτων δείτε παρακάτω:

M-1	Βίδα 1	M-4	Προστατευτικό κατά της φθοράς
M-2	Πλάκα οδήγησης	M-5	Οπές τοποθέτησης
M-3	Βίδα 2	M-6	Κιβώτιο γραναζιών

## ΑΠΟΜΑΚΡΥΝΣΗ ΤΗΣ ΠΛΑΚΑΣ ΟΔΗΓΗΣΗΣ

Εάν έχετε εμπειρία με αυτό τον τύπο ακροκόφτη ή εάν νομίζετε ότι η πλάκα οδήγησης είναι εμπόδιο στη λειτουργία κοπής άκρων, μπορείτε να την απομακρύνετε.

1. Λασκάρετε και απομακρύνετε τη βίδα 1.
2. Απομακρύνετε την πλάκα οδήγησης.
3. Επανατοποθετήστε τη βίδα σύσφιξης 1.

## ΛΙΠΑΝΣΗ ΣΥΣΤΗΜΑΤΟΣ ΟΔΟΝΤΟΤΡΟΧΩΝ

Το σύστημα οδοντοτροχών στο κιβώτιο γραναζιών πρέπει να λιπαίνεται περιοδικά με το γράσο μειωτήρων. Ελέγχετε σχεδόν κάθε 50 ώρες λειτουργίας τη στάθμη γράσου στο κιβώτιο γραναζιών αφαιρώντας τη βίδα στεγανοποίησης στα πλάγια του κιβωτίου.

Εάν δεν φαίνεται γράσο στα πλαϊνά του μειωτήρα, ακολουθήστε τα παρακάτω βήματα για να γεμίσετε με γράσο μειωτήρων έως την ένδειξη 3/4.

Μην γεμίσετε έως πάνω το σύστημα οδοντοτροχών.

1. Τοποθετήστε όρθια τον ακροκόφτη, έτσι ώστε η βίδα στεγανοποίησης να βλέπει προς τα επάνω (Εικ. Ν).
2. Χρησιμοποιήστε το παρεχόμενο κλειδί πολλαπλών λειτουργιών για να λασκάρετε και να απομακρύνετε τη βίδα στεγανοποίησης. Χρησιμοποιήστε μια σύριγγα γράσου (δεν περιλαμβάνεται) για να εισαγάγετε λίγο γράσο μέσα στην οπή βίδας. Μην υπερβαίνετε την ένδειξη 3/4.
3. Σφίξτε τη βίδα στεγανοποίησης μετά την έγχυση γράσου.

## ΑΠΟΘΗΚΕΥΣΗ ΤΗΣ ΜΟΝΑΔΑΣ

- Απομακρύνετε τη συστοιχία μπαταρίας από τον ακροκόφτη

- Καθαρίστε το εργαλείο σχολαστικά προτού το αποθηκεύσετε.
- Εάν το προσάρτημα ακροκόφτη αφαιρεθεί από την ηλεκτρική κεφαλή και αποθηκευτεί ξεχωριστά, τοποθετήστε το θερματικό πώμα επάνω στον άξονα προσαρτήματος ώστε να μην εισέλθουν ρύποι στη διάταξη ζεύξης.
- Αποθηκεύετε τη μονάδα σε έναν στεγνό, καλά αεριζόμενο χώρο, κλειδωμένο ή σε ψηλό σημείο, εκτός εμβέλειας παιδιών. Μην αποθηκεύετε τη μονάδα επάνω ή δίπλα σε λιπάσματα, βενζίνη ή άλλες χημικές ουσίες.



### Προστασία του περιβάλλοντος



Μην απορρίπτετε τους ηλεκτρικούς εξοπλισμούς, το φορτιστή μπαταρίας και τις μπαταρίες/επαναφορτιζόμενες μπαταρίες στα οικιακά απορρίμματα!

Σύμφωνα με τον Ευρωπαϊκό νόμο 2012/19/ΕΕ, οι ηλεκτρικοί και οι ηλεκτρονικοί εξοπλισμοί που δεν χρησιμοποιούνται πλέον και σύμφωνα με τον Ευρωπαϊκό νόμο 2006/66/ΕΚ, οι ελαττωματικές ή χρησιμοποιημένες συστοιχίες μπαταριών/μπαταρίες πρέπει να συλλέγονται ξεχωριστά.

Εάν οι ηλεκτρικές συσκευές απορριφθούν στο ύπαιθρο ή σε χλωματερές, τότε είναι πιθανό να διαρρεύσουν επικίνδυνες ουσίες στα υπόγεια ύδατα, με αποτέλεσμα να περάσουν στην τροφική αλυσίδα, προκαλώντας ζημιές στην υγεία και την φυσική σας κατάσταση.

### ΔΗΛΩΣΗ ΣΥΜΜΟΡΦΩΣΗΣ ΕΚ



Εμείς η EGO EUROPE GMBH

Wahlwiesenstrasse 1, D-71711 Steinheim an der Murr  
Deutschland

Δηλώνουμε ότι το προϊόν Φορητό προσάρτημα ακροκόφτη 56V λιθίου - ιόντων EA0800, εξοπλισμένο με ηλεκτρική κεφαλή PH1400E

συμμορφώνεται με τις ουσιώδεις προδιαγραφές υγείας και ασφαλείας που περιλαμβάνονται στις ακόλουθες οδηγίες: 2006/42/EC, 2014/30/EU, 2011/65/EU, 2000/14/EC

Πρότυπα και τεχνικές προδιαγραφές στα οποία γίνεται αναφορά:

EN 60745-1, ISO 11789-1, EN 55014-1, EN 55014-2

Μετρημένη στάθμη ισχύος ήχου: 92,4 dB(A).

Εγγυημένη στάθμη ηχητικής ισχύος: 95 dB(A).

Peter Melrose

Διευθύνων Σύμβουλος της  
EGO Europe GmbH

Dong Jianxun

Διευθυντής ποιότητας της  
Chervon

\* (Εξουσιοδοτημένος εκπρόσωπος της CHERVON και υπεύθυνος για την τεχνική τεκμηρίωση)

01/12/2016

## ΑΝΤΙΜΕΤΩΠΙΣΗ ΠΡΟΒΛΗΜΑΤΩΝ

ΠΡΟΒΛΗΜΑ	ΑΙΤΙΑ	ΕΠΙΛΥΣΗ
Το μοτέρ δεν εκκινείται.	<ul style="list-style-type: none"> <li>■ Η συστοιχία μπαταριών δεν έχει προσαρτηθεί στην ηλεκτρική κεφαλή.</li> <li>■ Δεν υπάρχει ηλεκτρική επαφή μεταξύ της ηλεκτρικής κεφαλής και της συστοιχία μπαταριών.</li> <li>■ Η συστοιχία μπαταριών έχει εξαντληθεί.</li> <li>■ Ο κουμπί ασφάλισης και η σκανδάλη δεν πατήθηκαν ταυτόχρονα.</li> </ul>	<ul style="list-style-type: none"> <li>■ Τοποθετήστε τη συστοιχία μπαταριών στην ηλεκτρική κεφαλή.</li> <li>■ Απομακρύνετε τη μπαταρία, ελέγξτε τις επαφές και επανεγκαταστήστε τη συστοιχία μπαταριών, έως ότου κουντώσει στη θέση της.</li> <li>■ Φορτίστε τη συστοιχία μπαταριών με τους φορτιστές EGO που παρατίθενται στο παρόν εγχειρίδιο.</li> <li>■ Πατήστε κάτω το κουμπί ασφάλισης και κρατήστε τον, κατόπιν πιέστε τη σκανδάλη για να ενεργοποιήσετε το χλοοκοπτικό με νήμα.</li> </ul>
Η ηλεκτρική κεφαλή σταματάει κατά τη λειτουργία.	<ul style="list-style-type: none"> <li>■ Το μοτέρ έχει υπερφορτωθεί.</li> <li>■ Η συστοιχία μπαταριών ή η ηλεκτρική κεφαλή είναι πολύ καυτή.</li> <li>■ Η συστοιχία μπαταριών έχει αποσυνδεθεί από το εργαλείο.</li> <li>■ Η συστοιχία μπαταριών έχει εξαντληθεί.</li> </ul>	<ul style="list-style-type: none"> <li>■ Το μοτέρ θα επανέλθει όταν αφαιρεθεί το φορτίο. Για συνεχή εργασία, μειώστε το φορτίο της ηλεκτρικής κεφαλής.</li> <li>■ Επιτρέψτε η συστοιχία μπαταριών ή η ηλεκτρική κεφαλή να κρυώνουν, έως ότου η θερμοκρασία πέσει κάτω από τους 152°F (67°C).</li> <li>■ Επανεγκαταστήστε τη συστοιχία μπαταριών.</li> <li>■ Φορτίστε τη συστοιχία μπαταριών με τους φορτιστές EGO που παρατίθενται στο παρόν εγχειρίδιο.</li> </ul>
Ανομοιόμορφη ακμή	<ul style="list-style-type: none"> <li>■ Το γρασίδι ή το χώμα που κόβονται είναι πολύ βρεγμένα.</li> <li>■ Το προστατευτικό λεπίδας έχει έμφραξη.</li> </ul>	<ul style="list-style-type: none"> <li>■ Αποφεύγετε κοπή ακμών σε βρεγμένο χώμα ή γρασίδι.</li> <li>■ Σταματήστε το μοτέρ, αφαιρέστε τη συστοιχία μπαταριών και απομακρύνετε τα υπολείμματα από το προστατευτικό λεπίδας.</li> </ul>

## ΕΓΓΥΗΣΗ

**GR**

### ΠΟΛΙΤΙΚΗ ΕΓΓΥΗΣΗΣ EGO

Επισκεφθείτε την ιστοσελίδα [egopowerplus.com](http://egopowerplus.com) για όλους τους όρους και τις προϋποθέσεις της πολιτικής εγγύησης EGO.

## TÜM TALIMATLARI OKUYUN!



### KULLANIM KILAVUZUNU OKUYUN

**⚠️ Artık risk!** Kalp pili gibi elektronik cihaz kullanan kişiler bu ürünü kullanmadan önce hekimlerine danışmalıdır. Elektrikli cihazların, kalp pili yakınında çalıştırılması kalp pilinde parazite veya arızaya neden olabilir.

**⚠️ UYARI:** Güvenliği ve güvenilirliği sağlamak için, tüm onarım işlemleri yetkili bir servis teknisyeni tarafından gerçekleştirilmelidir.

## GÜVENLİK SEMBOLLERİ

Güvenlik sembollerinin amacı olası tehlikelere dikkatinizi çekmektir. Güvenlik sembolleri ve yanlarındaki açıklamalar özel dikkat ve anlayış göstermenizi gerektirir. Uyarı sembolleri kendi başlarına herhangi bir tehlikeyi gidermez. Sundukları talimat ve uyarılar uygun kaza önleme önlemlerinin yerine geçmez.

**⚠️ UYARI:** Bu aleti kullanmadan önce, “TEHLİKE”, “UYARI” ve “DİKKAT” gibi tüm güvenlik uyarı ve sembollerini içeren bu Kullanım Kılavuzu içerisindeki tüm güvenlik talimatlarını okuyup anladığınızdan emin olun. Aşağıdaki talimatların tamamına uyulmaması elektrik çarpması, yangın ve/veya ciddi kişisel yaralanma ile sonuçlanabilir.

## SEMBOLÜN ANLAMI

**⚠️ GÜVENLİK UYARI SEMBOLÜ: TEHLİKE, UYARI veya DİKKAT** edilmesi gereken durumu gösterir. Diğer semboller veya resimlerle birlikte kullanılabilir.

**⚠️ UYARI:** Herhangi bir elektrikli aletin kullanımı yabancı nesnelere gözlerinize fırlatılması sonucunu doğurabilir, bu da gözlerde ciddi hasara yol açabilir. Elektrikli aleti kullanmaya başlamadan önce, daima göz koruması veya yan siperleri olan koruyucu gözlük takın ve gerektiğinde tam yüz siperi kullanın. Gözlük üzerine kullanım için Wide Vision Koruyucu Maske ya da yan siperleri olan standart koruyucu gözlükleri tavsiye ederiz.

## GÜVENLİK TALIMATLARI

Bu sayfada, bu ürün üzerinde görülebilecek güvenlik sembolleri gösterilmekte ve açıklanmaktadır. Makineyi monte etmeye ve kullanmaya başlamadan önce, makineye ilişkin tüm talimatları okuyup anlayın ve bu talimatlara uyun.

	Güvenlik Uyarısı	Potansiyel bir kişisel yaralanma tehlikesini gösterir.
	Kullanım Kılavuzunu Okuyun	Yaralanma riskini azaltmak için, kullanıcı bu ürünü kullanmadan önce kullanım kılavuzunu okuyup anlamalıdır.
	Kulaklık ve Gözlük Kullanın	Bu ürünü çalıştırırken daima göz koruması, yan siperleri olan koruyucu gözlük ya da tam yüz maskesi kullanın.
	Etraftaki Kişileri Güvenli Bir Mesafede Tutun	Kenar düzeltme aparatını kullanırken diğer insanların ve evcil hayvanların belli bir mesafede olduklarından emin olun.
	Kenar Düzeltme Aparatı Bıçak Dönüş Yönü	Kenar düzeltme aletinin bıçak dönüş yönünü gösterir.
	Fırlayan Nesnelere	Cihazın kullanılacağı yüzeyi kontrol edin, tüm taş, sopa, kablo, kemik ve diğer yabancı cisimleri kaldırın.
	Döner Kesim Bıçağı	El ve ayaklarınızı dönen parçaların yakınına veya altına koymayın.
	Yağmura Maruz Bırakmayın	Bu ürünü yağmur altında kullanmayın veya yağmur yağarken dışarıda bırakmayın.
	CE	Bu ürün geçerli AB direktiflerine uygundur.
	WEEE	Atık elektrikli ürünler, evsel atıklar ile birlikte imha edilmemelidir. Yetkili bir geri dönüşüm merkezine götürün.

	Gürültü	Garanti edilen ses gücü seviyesi. Avrupa Birliği Direktifi'ne göre çevre ses emisyonu.
V	Volt	Voltaj
mm	Milimetre	Uzunluk veya boyut
cm	Santimetre	Uzunluk veya boyut
kg	Kilogram	Ağırlık
	Doğru Akım	Akım türü ve özelliği

## ÖNEMLİ GÜVENLİK TALİMATLARI

**⚠ UYARI:** Misinalı çim biçme makinesini kullanırken, yangın, elektrik çarpması ve kişisel yaralanma riskini azaltmak için aşağıdakiler de dahil olmak üzere temel güvenlik önlemlerine daima uyulmalıdır:

### KULLANMADAN ÖNCE DİKKATLİCE OKUYUN

#### GELECEKTE BAŞVURU AMACIYLA SAKLAYIN

**⚠ TEHLİKE:** Elektrik çarpmasına karşı aletin yalıtımına güvenmeyin. Elektrik çarpması riskini azaltmak için, makineyi asla akım taşıyabilecek kabloların (elektrik kablosu, vb.) yakınında kullanmayın.

**⚠ DİKKAT:** Cihazı kullanırken uygun kişisel kulak koruması kullanın. Bazı koşullar altında veya kimi kullanımlarda, bu üründen çıkan ses işitme kaybına yol açabilir.

#### Eğitim

- Talimatları dikkatle okuyun. Cihazın kumandalarını ve uygun kullanım şeklini öğrenin.
- Kullanım talimatları hakkında yeterli bilgiye sahip olmayan kişilerin cihazı kullanmasına asla izin vermeyin. Yerel yönetmelikler kullanıcı yaşına sınırlama getirebilir.
- Yakınızdaki başkaları, özellikle de çocuklar veya evcil hayvanlar varken asla kenarları düzeltmeyin.
- Operatör veya kullanıcının, diğer kişilerin veya eşyaların başına gelebilecek yaralanma veya hasarlardan sorumlu olduğunu unutmayın.

#### Hazırlık

- Kenarları düzeltirken, her zaman gözlük ve kulaklık kullanın, iyi ayakkabılar ve uzun pantolonlar giyin.
- Cihazın kullanılacağı yüzeyi kontrol edin, tüm taş, sopa, kablo, kemik ve diğer yabancı cisimleri kaldırın.

- Kullanmadan önce bıçakların, bıçak civatanın ve kesme modüllerinin aşınıp aşınmadıklarını veya hasar görüp görmediklerini görsel olarak kontrol edin. Dengeyi korumak için, aşınmış veya hasar görmüş bıçaklarla bıçak civatalarını set olarak değiştirin.

#### Çalıştırma

- Sadece gün ışığında veya iyi aydınlatılmış yerlerde kenar düzeltme işlemi yapın.
- Eğimli alanlarda bastığınız yerlerin sağlam olduğundan emin olun.
- Yürüyün, asla koşmayın.
- Geriye giderken veya kenar düzeltme aparatını kendinize doğru çekerken çok dikkatli olun.
- Çim dışındaki yüzeylerden geçirmeden önce ve kenarları kesilecek alana ve buradan başka bir bölgeye taşırken bıçağın tamamen durduğundan emin olun.
- Kenar düzeltme aletini asla kusurlu, eksik veya yanlış takılmış muhafazalarla çalıştırmayın.
- Motor kontrol ayarlarını değiştirmeyin veya motoru aşırı hızlı çalıştırmayın.
- Motoru talimatlara uygun biçimde ve ayaklar bıçaktan/ bıçaklardan yeteri kadar uzak olduğu halde dikkatle çalıştırın.
- Bıçağın/bıçakların önünde başka biri duruyorsa motoru çalıştırmayın.
- El ve ayaklarınızı dönen parçaların yakınına veya altında koymayın.
- Her zaman motoru kapatın ve aküyü çıkarın:
  - 1) Tıkanıklıkları temizlemeden önce;
  - 2) Kontrol etmeden, temizlemeden veya bıçak(lar) üzerinde çalışmadan önce;
  - 3) Yabancı bir cisme çarptıktan sonra: Bıçağı/bıçakları hasara karşı kontrol edin ve yeniden başlatmadan e kenar düzeltme aparatını çalıştırmadan önce tamir edin;
  - 4) Kenar düzeltme aparatı anormal biçimde titremeye başlarsa (derhal kontrol edin).
- Kenar düzeltme aparatını bırakacağınız zaman motoru durdurun;
- Pil paketini yağmurlu veya ıslak ortamlarda şarj etmeyin.
- Sadece aşağıda listelenen pil paketi ve şarj cihazlarını kullanın.

PİL PAKETİ	ŞARJ CİHAZI
BA1120E, BA2240E, BA2800,	CH2100E
BA3360, BA4200	CH5500E

- Pil paketi atılmadan önce cihazdan çıkarılmalıdır.

- Pili güvenli bir şekilde imha edilmelidir.
- Pili ateşe atarak imha etmeyin. Pili hücreleri patlayabilir. Muhtemel özel imha talimatları için yerel kanunları kontrol edin.
- Pili açmayın veya tahrip etmeyin. Açığa çıkan elektrolit aşındırıcıdır ve gözlerin veya cildin zarar görmesine neden olabilir. Yutulması halinde zehirli olabilir.
- Yüzük, bilezik ve anahtar gibi malzemelerle pile kısa devre yaptırmamak için, pilleri tutarken dikkatli olun. Pil veya iletken aşırı ısınabilir ve yanıklara neden olabilir.
- Pille çalışan aletlerin elektrik prizine takılmalarına gerek yoktur; bu nedenle daima çalışır durumdadırlar. Alet kullanılmadığı zaman dahi oluşabilecek muhtemel tehlikelere karşı dikkatli olun. Bakım veya onarım işlemi yaparken dikkatli olun.
- Hortumla yıkamayın; motor ve elektrik bağlantılarına su kaçırılmaya dikkat edin.

#### Bakım ve saklama

- Cihazın güvenli koşullarda çalışması için tüm somun, civata ve vidaların sıkı olduğundan emin olun.
- Aşınmış veya hasarlı parçaları değiştirin.
- Bunu yapmak için yetkili olmadıkça makineyi tamir etmeye çalışmayın.
- Sadece üreticinin tavsiye ettiği yedek parça ve aksesuarları kullanın.
- Bakım veya temizlik işlerini yapmadan önce aküyü makineden çıkarın.
- Makineyi düzenli olarak kontrol edin ve bakımını yapın. Makinenin sadece yetkili bir uzman tarafından tamir edilmesini sağlayın.
- Kullanmadığınız zaman, makineyi çocukların ulaşamayacağı bir yerde saklayın.
- Bu kılavuzda yer almayan durumlar meydana gelirse, dikkatli ve sağlıklı davranın. Yardım için EGO Servis Merkeziyle iletişime geçin.
- Bu talimatları saklayın. Talimatlara sık sık müracaat edin ve bu aleti kullanacak diğer kişileri bilgilendirmek için kullanın. Bu aleti başka birine ödünç verirken, ürünün yanlış kullanılmasını ve olası yaralanmaları önlemek için bu talimatları da ürünle birlikte verin.

#### BU TALİMATLARI SAKLAYIN!

**NOT: EK ÖZEL GÜVENLİK KURALLARI İÇİN ELEKTRİKLİ ALET KAFANIZIN KULLANIM KILAVUZUNA BAKIN.**

#### TEKNİK ÖZELLİKLER

Bıçak Uzunluğu	20 cm	
Kenar Düzeltme Derinliği	75 mm'ye kadar	
Ağırlık	2,26 kg	
Ölçülen ses güç düzeyi $L_{WA}$	92,4 dB(A) K=2,07 dB(A)	
Operatör konumundaki ses güç düzeyi $L_{PA}$	79,8 dB(A) K=3 dB(A)	
Garanti edilen ses güç düzeyi $L_{WA}$ (2000/14/EC uyarınca ölçülmüş)	95 dB(A)	
Titreşim $a_h$	Ön Tutma Sapı	1,2 m/s <sup>2</sup> K=1,5 m/s <sup>2</sup>
	Arka Tutma Sapı	2,2 m/s <sup>2</sup> K=1,5 m/s <sup>2</sup>

- Yukarıdaki parametreler, PH1400E elektrikli alet başlığı takılı olarak test edilmiş ve ölçülmüştür;
- Bildirilen toplam titreşim değeri standart test yöntemine uygun olarak ölçülmüştür ve bir cihazı diğer bir cihaz ile karşılaştırmak için kullanılabilir.
- Bildirilen toplam titreşim değeri ayrıca ön maruz kalma değerlendirilmesinde de kullanılabilir.

**UYARI:** Elektrikli aletin gerçek kullanımı sırasında meydana gelen titreşim emisyonu aletin kullanım şekline bağlı olarak bildirilen değerden farklı olabilir; Operatörü korumak için, kullanıcı gerçek kullanım koşullarında eldiven ve kulak koruması takmalıdır.

#### AMBALAJ LİSTESİ

PARÇA ADI	MİKTAR
Kenar Düzeltme Aparatı Aksesuarı	1
Alyen Anahtar	1
Çok Fonksiyonlu Alyen Anahtarı	1
Çatal Pim	2
Kullanma kılavuzu	1

#### Tavsiye Edilen Bıçak

PARÇA ADI	MODEL NUMARASI
Kenar Düzeltme Bıçağı	AEB0800

TR

## AÇIKLAMA

### KENAR DÜZELTME ALETİNİZİ TANIYIN (Şek.A)

1. Uç Kapağı
2. Kenar Düzeltme Aparatının Şaftı
3. Bıçak Koruması
4. Bıçak
5. Derinlik Ayarlama Düğmesi
6. Kılavuz Tekerlek
7. Alyen Anahtar
8. Çok Fonksiyonlu Alyen Anahtar
9. Derinlik Ayarlama Kılavuz Çubuğu
10. Kalıntı Klapesi
11. Çatal Pim
12. Kılavuz plakasını yerine sabitlemek için vida
13. Kılavuz Plakası

## MONTAJ

**⚠ UYARI:** Hasarlı veya eksik parça varsa, bu parçaları değiştirilinceye kadar ürünü çalıştırmayın. Bu ürünün hasarlı veya eksik parçaları ile kullanılması ciddi kişisel yaralanmalara yol açabilir.

**⚠ UYARI:** Bu ürün üzerinde değişiklik yapmaya veya bu misinalı çim biçme makinesi ile kullanılması önerilmeyen aksesuarlar oluşturmaya çalışmayın. Bu tür değişiklikler veya modifikasyonlar hatalı kullanımdır ve ciddi kişisel yaralanmalara neden olabilen tehlikeli bir duruma sebep olabilir.

**⚠ UYARI:** Bıçak muhafazasını ayarlamayın. Bıçak muhafazası fabrikada bıçak muhafazasının üzerindeki ok ve açık yan kullanıcıdan uzağa bakacak şekilde ayarlanmıştır. Bu kesimler ve diğer kalıntıların elektrikli alet ve operatörden uzağa doğru gitmesini sağlar.

### ELEKTRİKLİ ALET KAFASINA BİR KENAR DÜZELTME APARATI BAĞLAMA

Bu kenar düzeltme aparatı EGO 56V Lityum-iyon Elektrikli Alet Kafası PH1400E ile kullanılmak üzere tasarlanmıştır.

Elektrikli alet kafası PH1400E'nin kullanım kılavuzunda yer alan "ELEKTRİKLİ ALET KAFASINA BİR AKSESUAR TAKMA" bölümüne bakın.

## ÇALIŞTIRMA

**⚠ UYARI:** Ürüne aşına olmanız sizi dikkatsiz yapmasını. İkinci dereceden bir dikkatsizliğin ciddi yaralanmalara neden olmak için yeterli olduğunu unutmayın.

**⚠ UYARI:** Daima yan siperleri olan göz koruması kullanın. Kulak koruması ile birlikte kullanın. Böyle yapılmaması sonucu gözlerinize fırlayan nesnelere ciddi kişisel yaralanmalara neden olabilir.

### UYGULAMALAR

Bu ürünü aşağıda listelenen amaçlar için kullanabilirsiniz:

- Yürüyüş yolları, bordürler, çiçek yatakları ve benzeri alanların etrafında kenar düzeltme.

**DİKKAT:** Alet sadece belirtilen amaç için kullanılmalıdır. Diğer kullanım şekilleri hatalı kullanım olarak kabul edilir.

### Her kullanımdan önce hasarlı/aşınmış parça olup olmadığını kontrol edin.

Çarpma başlığını, koruyucuyu ve ön yardım kolunu kontrol edin ve çatlak, kırılmış, eğik veya hasarlı kesim parçalarını değiştirin.

**⚠ UYARI:** Ciddi kişisel yaralanmaları önlemek için, aksesuarlara bakım veya onarım, temizlik, değişim yapmadan veya makineden malzeme çıkarmadan önce aküyü çıkarın.

### ELEKTRİKLİ ALET KAFASI İLE KENAR DÜZELTME APARATINI KULLANMA

**⚠ UYARI:** Bu cihazı kullanırken yaralanma riskini azaltmak için uygun şekilde giyinin. Bol giysiler giymeyin veya takı takmayın. Göz ve kulak/ışıtme koruması takın. Dayanıklı, uzun pantolon, eldiven ve bot giyin. Kısa pantolon, sandalet giymeyin veya çıplak ayakla çalışmayın. Çalışma ortamı tozluysa, yüz veya toz maskesi takın.

**⚠ UYARI:** Çalışma alanındaki tüm engelleri ve katı nesnelere temizleyin.

Güvenli ve daha iyi çalışma için, omzunuza omuz askısını takın. Omuz askısını rahat bir çalışma konumuna ayarlayın.

Kenar düzeltme aparatını sağ elinizle arka tutma sapından ve sol elinizle ön yardım kolundan tutarak kullanın. Aleti kullanırken iki elinizle sağlam bir şekilde tutun. Kenar düzeltme aparatı kalça yüksekliğinde arka tutma kolu ile rahat bir pozisyonda tutulmalıdır (Şek. B).

**⚠ UYARI:** Omuz askısı ayrıca tehlikeli durumlarda hızla çıkarılabilen bir mekanizmadır. Acil bir durumda, askı hangi şekilde takılı olursa olsun derhal omzunuzdan çıkarın.

## Her kullanımın ardından, kenar düzeltme aparatını temizleyin

Temizleme talimatları için BAKIM bölümüne bakın.

### KESME DERİNLİĞİNİ AYARLAMA

1. Motoru durdurun ve aküyü çıkarın.
2. Derinlik ayarlama düğmesini düğme üzerinde işaretlenmiş kilit açma okunun yönünde gevşetin (Şek. C).
3. Kılavuz tekerleği derinlik ayar kılavuz çubuğu boyunca yukarı hareket ettirerek kesim derinliğini arttırın veya aşağı hareket ettirerek derinliği azaltın (Şek. D).
4. Kılavuz tekerleği, bıçak sadece yere temas edecek veya toprak yüzeyini 5mm'den fazla yarmayacak şekilde ayarlayın ve daha sonra güvenli bir şekilde sıkın.
5. Normal çalışma konumunda ayakta durarak, tekrar kesme derinliğini kontrol edin ve gerekirse düzeltin.

### ALET BAŞLATMA/DURDURMA

Elektrikli alet kafası PH1400E'nin kullanım kılavuzundaki "ELEKTRİKLİ ALET KAFASINI DURDURMA/BAŞLATMA" bölümüne bakın.

### ÇALIŞMA İPUÇLARI

- Elektrikli alet kafasını bıçak dik olacak şekilde tutun ve yönlendirin. Bıçağı yatak kenarı ile yukarı bakacak şekilde hizalamak için görüş hattını kullanın (Şek. F).
- Normal yürüme hızının üstünde çalıştırmayın. Bıçak çamura saplanmaya başlarsa çok hızlı kenar düzeltme yapıyorsunuz demektir; hızınızı düşürün.
- Keserken daima ileriye doğru yürüyün ve kenar düzeltme aletini de ileriye doğru hareket ettirin. Kenar düzeltme aletini kendinize doğru çekmeyin.
- Bıçağı toprağa doğru zorlamayın. Bıçağın kaldırım kenarına, bordür, vb. yüzeylere hafifçe temas etmesi kabul edilebilir ve kenar düzeltme aletine zarar vermez.
- En iyi sonuçlar çim kuru olduğunda elde edilir. Islak toprak veya ıslak çimli alanlarda veya bıçağın çamura batabileceği ve düz olmayan bir şekilde kesme ile sonuçlanabilecek yerlerde kenar düzeltme işlemi yaptıktan kaçının. Bıçak muhafazası tıkanığında, motoru durdurun, aküyü çıkarın ve bıçak muhafazasından kalıntıları temizleyin.

### BAKIM

**⚠ UYARI:** Ünitenin denetim, temizlik veya bakımından önce motoru durdurun ve tüm hareketli parçaların durmasını bekleyin, ardından aküyü çıkarın. Bu talimatlara uyulmaması ciddi kişisel yaralanmalar veya maddi hasara yol açabilir.

**⚠ UYARI:** Bakım ve onarım sırasında birebir aynı yedek parçaları kullanın. Diğer parçaların kullanılması tehlike oluşturabilir veya ürünün hasar görmesine neden olabilir. Güvenliği ve güvenilirliği sağlamak için, tüm onarım işlemleri yetkili bir servis teknisyeni tarafından gerçekleştirilmelidir.

### GENEL BAKIM

Plastik parçaları temizlerken çözücü maddeler kullanmaktan kaçının. Plastikler çeşitli ticari çözücü türlerinden kötü yönde etkilenmeye yatkındır ve kullanılmaları durumunda zarar görebilirler. Kir, toz, yağ, gres, vb. gidermek için temiz bez kullanın.

### CIHAZIN TEMİZLENMESİ

- Her kullanımdan sonra, bıçak ve muhafazanın üzerindeki kalıntıları, tıkanmış toprakları ya da çimleri yumuşak bir fırça ile temizleyin. Kenar düzeltme aparatının yüzeyini, yumuşak sabun solüsyonu ile nemlendirilmiş, temiz bir bezle silin.
- Arka gövdedeki hava deliklerinde bulunan tıkanıklığı temizlemek için küçük bir fırça veya elektrikli süpürgecin hava çıkışı kullanın.

**DİKKAT:** Plastik gövde veya tutma kolu üzerinde güçlü deterjanlar kullanmayın. Çam ve limon gibi belirli aromatik yağlar bu yüzeylere zarar verebilir.

### BİÇAĞI DEĞİŞTİRME

**⚠ UYARI:** Bükülmüş ya da çatlamış bir bıçağı düzeltmeye veya kaynak yapmaya kalkışmayın, değiştirilmesi gerekir. Sadece EGO kenar düzeltme aparatı bıçağı ile değiştirilmesi tavsiye edilir, "Önerilen Bıçak" bölümüne bakın.

**DİKKAT:** Uzunluğu, gerekli zemin boşluğunu korumak ve istenen kesim derinliğini elde etmek için artık yeterli değilse bıçağı değiştirin.

**⚠ UYARI:** Kenar düzeltme aparatının bıçağına bakım yaparken dayanıklı eldivenler takarak ve/veya bıçağın üstünü ve diğer malzemeleri sararak ellerinizi koruyun.

### Bıçağın çıkarılması

1. Motoru durdurun ve aküyü çıkarın.
2. Kenar kesme aparatını bıçak yukarı bakacak şekilde yatırın.
3. Korumacı eldiven giyin. Motor şaftından çatal pimini çıkarmak için bir kargaburnu pense (dahil değildir) kullanın (Şek. G).
4. Flanştaki yuvayı vites kutusundaki delik ile hizalamak için bıçağı döndürün (Şek. G).

Şek. G parça açıklaması aşağıdaki gibidir:

G-1	Çatal Pim
G-2	İç Flanş
G-3	Dişli Kutusu

5. Stabilizatör olarak hareket etmek için hizalanmış deliklere verilen alyen anahtarları yerleştirin. Verilen çok fonksiyonlu anahtarları somunu **SAAT YÖNÜNDE** gevşetmek için kullanın (Şek. H).
6. Somunu, dış flanş, bıçak ve motor şaftını iç flanştan çıkartın. Onları kontrol edin ve ancak aşınmışlarsa değiştirin.

Şek. I parça açıklaması aşağıdaki gibidir:

I-1	Motor Şaftı	I-5	Bıçak
I-2	İç Flanş	I-6	Dış Flanş
I-3	İç Flanştaki Yuva	I-7	Somun
I-4	İç Flanştaki Çıkıntı	I-8	Çatal Pim

#### Bıçağın takılması

1. Çıkıntı dışa dönük halde motor şaftına iç flanşı yerleştirin (Şek. I).
2. Bıçağın yerine güvenli bir şekilde monte edildiğinden emin olarak, yeni bıçağı iç flanşa takın (Şek. J).
3. Dış flanşı ve somunu şafta monte edin ve somunu elle **SAAT YÖNÜNÜN TERSİNE** döndürerek önceden sıkın.
4. Bıçağı sabitlemek amacıyla somunu **SAAT YÖNÜNÜN TERSİNE** güvenli bir şekilde sıkarak yukarıdaki "Bıçağı çıkarma" bölümündeki 4 ve 5 sayılı adımları takip edin.
5. Motor şaftındaki deliğe verilen yeni çatal pimini takın. Kargaburnu pense (dahil değil) ile pimin iki ayağını zıt yönde bükün (Şek. G).

#### KILAVUZ TEKERLEĞİ DEĞİŞTİRME

1. Motoru durdurun ve aküyü çıkarın.
2. Kenar kesme aparatını kılavuz tekerlek yukarı bakacak şekilde yatırın.
3. Derinlik ayarlama düğmesini düğme üzerinde işaretlenmiş kilit açma okunun yönünde gevşetin ve çıkarın.
4. Yaylı rondela, düz rondela 1, kılavuz tekerlek, burç ve düz rondela 2'yi vida uçlu saptan çıkarın (Şek. K). Onları kontrol edin ve ancak aşınmışlarsa değiştirin.
5. Önce ilk derinlik ayarı kılavuz çubuğundan vida uçlu sapı monte edin, ardından düz rondela 2'yi, burcu ve yeni tekerleği takın, sonra düz rondela 1'i, yaylı rondelayı ve derinlik ayar düğmesini vida uçlu sapa Şek. K'da gösterilen sıra ile takın.

Şek. K parça açıklaması aşağıdaki gibidir:

K-1	Derinlik Ayarlama Düğmesi	K-5	Burç
K-2	Yaylı Rondela	K-6	Düz Rondela 2
K-3	Düz Rondela 1	K-7	Vida Uçlu Sap
K-4	Kılavuz Tekerlek	K-8	Derinlik Ayarlama Kılavuz Çubuğu

**DİKKAT:** Kılavuz tekerlek düz çıkıntıları içeri bakacak şekilde monte edilmelidir (Şek. L).

Şek. L parça açıklaması aşağıdaki gibidir:

L-1	Vidalar	L-3	Kalıntı Klapesi
L-2	Düz Çıkıntı	L-4	Montaj Plakası

6. Derinlik ayar düğmesini kilitleyin.

#### KALINTI FLAPESİNİN DEĞİŞTİRİLMESİ (Şek. L)

1. Motoru durdurun ve aküyü çıkarın.
2. İki vidayı gevşetmek için verilen alyen anahtarları kullanın.
3. Vidaları, montaj plakasını ve aşınmış kalıntı klapesini çıkarın.
4. Yeni bir kalıntı klapesi ile değiştirin ve montaj plakası ve ili vida ile yerine kilitleyin.

#### AŞINMAYA KARŞI KORUYUCU MUHAFAZA/ KILAVUZ PLAKASINI KONTROL ETEDİLMESİ VE DEĞİŞTİRİLMESİ (Şek. M)

Elektrikli aleti çalıştırmaya başlamadan önce aşınmaya karşı koruyucu muhafaza ve kılavuz plakasını hasara karşı kontrol edin. Aşınma karşı koruyucu muhafaza dişli kutusu görünür hale geldiğinde en kısa sürede değiştirilmelidir.

**DİKKAT:** Dişli kutusu görünür görünmez aşınmaya karşı koruyucu muhafazayı en kısa sürede değiştirmezseniz dişli kutusu ciddi şekilde zarar görebilir.

1. Motoru durdurun ve aküyü çıkarın.
2. Koruyucu eldiven giyin. İki vidayı açığa çıkarmak için bıçağı gerektiği gibi döndürün.
3. İki vidayı gevşetmek için verilen alyen anahtarları kullanarak çıkarın.

**DİKKAT:** Sadece kılavuz plakasını değiştirmeniz gerekirse, sadece vida 1'i gevşetin ve çıkarın.

4. Deforme olmuş ve aşınmış aşınmaya karşı koruyucu muhafazı/kılavuz plakasını değiştirin.
5. Yeni aşınmaya karşı koruyucu muhafazayı ve kılavuz plakasını dişli kutusuna takın ve iki vida ile onları kilitleyin.



Şek. M parça açıklaması aşağıdaki gibidir:

M-1	Vida 1	M-4	Aşınmaya Karşı Koruyucu Muhafız
M-2	Kılavuz Plakası	M-5	Montaj Delikleri
M-3	Vida 2	M-6	Dişli Kutusu

### KILAVUZ PLAKANIN ÇIKARILMASI

Bu tür kenar düzeltme aparatı kullanımında deneyimliseniz ya da kılavuz plakasının kenar düzeltme işleminize engel olduğunu düşünüyorsanız kılavuz plakasını çıkarabilirsiniz.

1. Vida 1'i gevşetin ve çıkarın.
2. Kılavuz plakasını sökün.
3. Vida 1'i yerine takın ve sıkın.

### TRANSMİSYON DİŞLİLERİNİN YAĞLANMASI

Dişli kutusundaki transmisyon dişlileri periyodik olarak dişli gresi ile yağlanmalıdır. Dişli kutusunun gres seviyesini her 50 saatlik çalışmada bir kutunun yanındaki sızdırmazlık vidasını sökerek kontrol edin.

Dişli kenarlarında hiçbir gres görülemezse, aşağıdaki adımları takip ederek dişliyi 3/4 kapasitesi kadar gres ile yağlayın.

Transmisyon dişlilerini tamamen doldurmayın.

1. Kenar düzeltme aletini sızdırmazlık vidası yukarı bakacak şekilde dik olarak yerleştirin (Şek. N).
2. Verilen çok fonksiyonlu anahtarı somunu sızdırmazlık vidasını çıkarmak için kullanın. Vida deliğine biraz gres enjekte etmek için bir gres şırıngası (dahil değildir) kullanın; 3/4'lük kapasiteyi aşmayın.
3. Enjeksiyondan sonra sızdırmazlık vidasını sıkın.

### CİHAZIN SAKLANMASI

- Kenar düzeltme aparatından aküyü çıkarın
- Cihazı saklamadan önce tamamen temizleyin.
- Kenar düzeltme aparatı aksesuarı elektrikli alet kafasından çıkarılırsa ve ayrı olarak saklanırsa, uç kapağını aksesuar şaftına takarak kılıfına girmesini önleyin.
- Cihazı çocukların ulaşamayacağı kuru, iyi havalandırılmış, kilitli ve yüksek bir yerde muhafaza edin. Gübre, benzin veya diğer kimyasal maddelerin yanında saklamayın.

### Çevre koruması



Elektrikli cihazları, pil şarj cihazını ve pilleri/şarj edilebilir pilleri evsel atıklarla birlikte atmayın!

AB Yasası 2012/19/EU uyarınca, kullanılamaz durumdaki elektrikli ve elektronik cihazlar ve AB Yasası 2006/66/EC uyarınca, arızalı veya kullanılmış pil paketleri/piller ayrı olarak toplanmalıdır.

Elektrikli cihazlar katı atık sahaları veya çöp toplama alanlarına atılırsa, yer altı sularına ve besin zincirine tehlikeli maddeler sızabilir, bu da sağlığınızın bozulmasına yol açabilir.

### AB UYGUNLUK BEYANI



EGO EUROPE GMBH

Wahlwiesenstrasse 1, D-71711 Steinheim an der Murr Deutschland

PH1400E ile donatılmış **56V lityum-iyon kablosuz kenar düzeltme eki EA0800**'ün .... beyan edilir

Aşağıdaki direktiflerin temel sağlık ve güvenlik gereksinimleri ile uyumlu olduğunu beyan ederiz:

2006/42/EC, 2014/30/EU, 2011/65/EU, 2000/14/EC

Aşağıdakilerle ilişkili standartlara ve teknik özelliklere uygun olduğunu beyan ederiz:

EN 60745-1, ISO 11789-1, EN 55014-1, EN 55014-2

Ölçülen Ses Güç Düzeyi: 92,4 dB(A),

Garanti Edilen Ses Güç Düzeyi: 95 dB(A)

Peter Melrose  
EGO Europe GmbH  
Yönetici Müdürü

Dong Jianxun  
Chervon Kalite  
Müdürü

\* (CHERVON yetkili temsilcisi ve teknik belgeleme sorumlusu)

01/12/2016

## SORUN GİDERME

SORUN	NEDENİ	ÇÖZÜM
Motor başlatılmıyor.	<ul style="list-style-type: none"><li>■ Akü elektrikli alet kafasına takılı değil.</li><li>■ Elektrikli alet kafası ve akü arasında elektrik teması yok.</li><li>■ PİL paketi boş.</li><li>■ Kilitleme düğme tetiğe aynı anda basılmıyor.</li></ul>	<ul style="list-style-type: none"><li>■ Aküyü elektrikli alet kafasına takın.</li><li>■ Aküyü çıkarın, temas noktalarını kontrol edin ve yerine oturana kadar aküyü yeniden takın.</li><li>■ Aküyü bu kılavuzda belirtilen EGO şarj cihazları ile şarj edin.</li><li>■ Kilitleme düğme basılı tutun, ardından tetik düğmesine basarak makineyi çalıştırın.</li></ul>
Elektrikli alet kafası çalışma esnasında duruyor.	<ul style="list-style-type: none"><li>■ Motor aşırı yüklenmiş.</li><li>■ Akü veya elektrikli alet kafası çok sıcak.</li><li>■ Akü ile aletin bağlantısı kesilmiş.</li><li>■ Akü boş.</li></ul>	<ul style="list-style-type: none"><li>■ Yük kaldırıldığında motor normale dönecektir. Sürekli çalışma için elektrikli alet kafasının yükünü azaltın.</li><li>■ Akünün veya elektrikli alet kafasının 152°F'ın (67°C) altına düşünceye kadar soğumasını bekleyin.</li><li>■ Aküyü yeniden takın.</li><li>■ Aküyü bu kılavuzda belirtilen EGO şarj cihazları ile şarj edin.</li></ul>
Düz olmayan kenar	<ul style="list-style-type: none"><li>■ Çim ve toprak kenarları çok ıslak.</li><li>■ Bıçak muhafazası tıkanmış.</li></ul>	<ul style="list-style-type: none"><li>■ Islak toprak veya ıslak zeminde kenarları düzeltmekten kaçının.</li><li>■ Motoru durdurun, aküyü çıkarın ve bıçak muhafazasındaki kalıntıları temizleyin.</li></ul>

## GARANTİ

### EGO GARANTİ POLİTİKASI

EGO Garanti politikasına ilişkin tüm hüküm ve koşullar için, lütfen [egopowerplus.com](http://egopowerplus.com) adresindeki web sitemizi ziyaret edin.

## LUGEGE KÕIKI JUHISEID!



### LUGEGE KASUTUSJUHENDIT

**⚠ Kaasnev risk!** Inimesed, kes kasutavad elektroonilisi seadmeid, nt südamestimulaatorit, peaksid enne selle toote kasutamist konsulteerima oma arstiga. Elektriseadmete kasutamine südamestimulaatori läheduses võib põhjustada südamestimulaatori häireid või rikkeid.

**⚠ HOIATUS:** Ohutuse ja töökindluse tagamiseks tohivad seda seadet remontida ainult vastava kvalifikatsiooniga hooldustehnikud.

## OHUTUSSÜMBOLID

Ohutussümbolite eesmärk on tõmmata teie tähelepanu võimalikele ohtudele. Ohutussümbolitele ja nende juures olevatele seletustele tuleb korralikult tähelepanu pöörata ja need endale selgeks teha. Ohutussümbolid iseenesest ei kõrvalda ohu olemasolu. Nendega kaasnevad juhendid ja hoiatused ei asenda korralikke õnetuste vältimise meetmeid.

**⚠ HOIATUS:** Enne käesoleva seadme kasutamist lugege kindlasti läbi ja tehke endale selgeks kõik Kasutusjuhendis toodud ohutusjuhised, sh kõik ohutussümbolid nagu „OHT”, „HOIATUS”, ja „ETTEVAATUST”. Kui te ei järgi kõiki allpool toodud juhiseid, võib tekkida elektrilöögi, tulekahju ja/või raske kehavigastuse oht.

## SÜMBOLITE TÄHENDUSED



**⚠ TURVATEATE SÜMBOL** Tähistusega OHT, HOIATUS, või ETTEVAATUST. Võidakse kasutada koos teiste sümbolite või piktograafidega.

**⚠ HOIATUS:** Mis tahes elektriliste tööriistade kasutamine võib põhjustada võrkehade paiskumist silma, mis võib põhjustada tõsisaid silmakahjustusi. Kandke elektriliste tööriistade kasutamise ajal alati külgkaitsetega kaitseprille ja vajadusel täielikku näokaitset. Soovitame kanda prillide peal laia vaatealaga kaitsemaski või tavalisi külgkaitsetega kaitseprille.

## OHUTUSJUHISED

Sel lehel on kujutatud ja kirjeldatud ohutusesümbolaid, mida võib käesolevalt tootelt leida. Enne, kui üritate masinat kokku panna ja kasutada, lugege, tehke omale selgeks ja järgige kõiki juhiseid.

	Ohutusteade	Viitab kehavigastuste ohule.
	Lugege kasutusjuhendit	Et vähendada vigastuste ohtu, peab kasutaja enne toote kasutamist lugema kasutusjuhendit ja selle endale selgeks tegema.
	Kasutage kuulmis- ja silmakaitset	Kandke selle toote kasutamise ajal alati kaitseprille või külgkaitsetega kaitseprille ja täielikku näokaitset.
	Hoidke kõrvalised isikud ohutus kauguses	Servalõikuriga töötamise ajal ei tohi teatud raadiuses olla teisi inimesi ega lemmikloomi.
	Servalõikuri tera pöörlemise suund	Näitab servalõikuri lõiket- era pöörlemise suunda.
	Lenduvad esemed	Enne töö alustamist kontrollige tööala ja eemaldage seal kivid, oksad, traadid ja muud võrkehad.
	Pöörlev lõiketera	Ärge asetage oma käsi või jalgu pöörlevate osade alla või lähedale.
	Vältige seadme kokkupuudet vihmaga	Ärge kasutage seadet vihmajärgi ajal ja ärge jätke seadet vihma kätte.
	CE	Toode vastab rakendatavatele EÜ direktiividele.
	WEEE	Elektritoodete jäätmetest ei tohi vabaneda olmejäätmete seas. Viige heaks kiidetud taaskäitlaja juurde.

	Müra	Tagatud helivõimsuse tase. Müraemissioon keskkonda vastavalt Euroopa Ühenduse direktiividele.
V	volti	Pinge
mm	Millimeeter	Pikkus või suurus
cm	Sentimeeter	Pikkus või suurus
kg	Kilogramm	Kaal
	alalisvool	Voolu tüüp või omadus

## Oulised ohetusjuhised

**⚠ HOIATUS:** Juhtmeta trimmerite kasutamisel tuleb alati järgida järgnevaid elementaarseid ohutusnõudeid. Sedasi vältida tulekahju, elektrilöögi ja vigastuste ohtu.

## ENNE KASUTAMIST LUGEGE TÄHELEPANELIKULT.

### HOIDKE ALLES.

**⚠ OHT:** Ärge eeldage, et tööriista isolatsioonikiht tagab täieliku kaitse elektrilöögi eest. Elektrilöögi ohtu vähendamiseks ärge kasutage seadet niisuguste juhtmete ega (voolu- jm.) kaablite läheduses, mis võivad olla voolu all.

**⚠ ETTEVAATUST:** Töö ajal kasutage sobivat kuulmiskaitset. Sõltuvalt töötingimustest ja töö kestusest võib selle seadme tekitatav müra ka kuulmist kahjustada.

### Koolitus

- Lugege juhend hoolikalt läbi. Tutvuge juhtseadmetega ja seadme korrektse kasutamise põhimõtetega.
- Ärge lubage seadet kasutada lastel ega inimestel, kes pole tutvunud käesoleva juhendiga. Kohalikud seadused võivad seada seadme kasutajatele vanusepiiranguid.
- Ärge kasutage servalõikurit teiste inimeste (eriti laste) või loomade läheduses.
- Pidage meeles, et seadme kasutaja vastutab teiste inimeste või nende varaga juhtuvate õnnetuste eest.

### Ettevalmistus

- Kandke servalõikuri kasutamisel alati silma- ja kõrvakaitset, asjakohaseid jalatseid ja pikki pükse.
- Enne töö alustamist kontrollige tööala ja eemaldage sealnt kivid, oksad, traadid ja muud võõrkehaded.

- Enne seadme kasutamist kontrollige alati visuaalselt ega terad, tera polt või lõikur kulunud või kahjustatud pole. Ühtlase töötulemuse huvides vahetage terasid ja polte alati kompleksis.

### Kasutamine

- Kasutage servalõikurit ainult päevasel ajal või hea kunstliku valgustusega.
- Kallakutel jälgige jalgealust eriti tähelepanelikult.
- Kõndige, ärge jookseke.
- Servalõikurit enda poole tõmmates olge väga ettevaatlik.
- Kui ületate teisi pindasid peale muru või transpordite servalõikurit tööalale veenduge esmalt, et tera on peatunud.
- Ärge kunagi kasutage servalõikurit, mis on kahjustatud või mille kaitsekatted on puudu või valesti paigaldatud.
- Ärge muutke mootori regulaatori sätteid ega määrake lubatust suuremale kiirusele.
- Lülitage mootor sisse vastavalt juhiste ja ettevaatlikult, hoides jalgu teradest eemal.
- Ärge käivitage mootorit, kui terade ees seisab teisi isikuid.
- Ärge asetage oma käsi või jalgu pöörlevate osade alla või lähedale.
- Lülitage mootor välja ja eemaldage aku alati, kui:
  - 1) eemaldate ummistusi,
  - 2) kontrollite, puhastate või parandate tera(sid),
  - 3) terad on kokku pörganud võõrkehade ja peate enne taaskäivitamist kontrollima nende võimalikke kahjustusi,
  - 4) märkate ebanormaalset vibratsiooni (kontrollige kohe).
- Peatage mootor alati, kui servalõikurist eemale liigute.
- Ärge laadige akuplokki niisketes ega märgades tingimustes.
- Kasutage ainult järgnevalt nimetatud akuplokke ja laadijaid:

AKU	LAADIJA
BA1120E, BA2240E, BA2800,	CH2100E
BA3360, BA4200	CH5500E

- Akuplokk tuleb seadmelt enne selle tööea lõppu eemaldada.
- Aku käitlemisel tuleb järgida ohutusreegleid.

- Ärge hävitage akusid põletamise teel. Need võivad plahvatada. Tutvuge kohalike eeskirjadega, et leida võimalikke erijuhiseid akude ja patareide kõrvaldamiseks.
- Ärge avage ega lõhkuge akut. Väljuv elektrolüüt on korrodeeriv ning võib silmi ja nahka vigastada. Allaneelamisel võib see mürgine olla.
- Akude käsitlemisel olge hoolikas ja jälgige, et te ei lühista akut elektrit juhtivate esemete (nt sörmuste, käevõrude, võtmete) abil. Aku või elektrit juhtiv ese võib üle kuumeneda ja põhjustada põletushaavu.
- Akuga töötavaid tööriistu pole vaja vooluvõrku ühendada, seega on nad alati töörežiimis. Olge teadlik võimalikest ohtudest ka ajal, mil tööriist pole sisse lüüritatud. Seadme hooldamise või remontimise ajal olge ettevaatlik.
- Ärge puhastage trimmerit voolikuga, vältige vee sattumist mootoris ja elektriühenduste peale.

### Hooldus ja hoiustamine

- Hoidke kõik mutrid, poldid ja kruvid pingul – sedasi veendute, et masin on turvalises töökorras.
- Vahetage kulunud või kahjustatud osad.
- Ärge üritage seadet parandada, kui teil puuduvad selleks vajalikud oskused.
- Kasutage ainult tootja poolt soovitatud originaalvarvikuid ja -varuosi.
- Enne hooldust või puhastamist ühendage seade külljest lahti.
- Kontrollige ja hooldage seadet regulaarselt. Laske seadet remontida ainult volitatud remonditöökojas.
- Kui seadet ei kasutata, hoidke seda lastele kättesaamatus kohas.
- Kui esineb olukordi, mis pole käesolevas juhendis kirjeldatud käituge hoolsalt ja lähtuge tervest mõistusest. Küsige abi EGO hoolduskeskusest.
- Hoidke see kasutusjuhend alles. Lugege seda sageli ning kasutage seda, et seadet sageli kasutavaid isikuid välja õpetada. Kui te seadet kellelegi laenate, andke sellega kaasa ka käesolev kasutusjuhend, et vältida seadme väärkasutamist ja võimalikke vigastusi.

### HOIDKE SEE KASUTUSJUHE ALLES

**MÄRKUS: TÄIENDAVAD OHUTUSREEGLID LEIATE TOITEPEA KASUTUSJUHEDEST.**

## SPETSIFIKATSIOONID

Tera pikkus	20 cm	
Serva lõikamise sügavus	Kuni 75 mm	
Mass	2,26 kg	
Möödetud helirõhu tase $L_{WA}$	92,4 dB(A) K=2,07 dB(A)	
Helirõhk seadme operaatori kõrva juures $L_{PA}$	79,8 dB(A) K=3 dB(A)	
Garanteeritud helirõhk $L_{WA}$	95 dB(A)	
(möödetud vastavalt 2000/14/EN)	Eesmine abikäepide	1,2 m/s <sup>2</sup> K=1,5 m/s <sup>2</sup>
	Tagumine käepide	2,2 m/s <sup>2</sup> K=1,5 m/s <sup>2</sup>

- Ülalmainitud näitajaid on testitud ja möödetud, kasutades toitepead PH1400E;
- Ametlik vibratsioonitaseme näit on möödetud standardsete testmeetodite kohaselt ja seda võidakse kasutada erinevate tööriistade võrdlemiseks.
- Ametlikku vibratsioonitaseme näitu võib kasutada ka alge kokkupuutehinnangu andmiseks.

**MÄRKUS:** Tegelikul kasutamisel tekki vibratsioonitase või ametlikult märgitust erineda; turvalisuse eesmärgil peaks seadme kasutaja kandma kindaid ja kuulmiskaitsmeid.

## PAKENDI LOEND

OSA NIMI	KOGUS
Servalõikur	1
Kuuskantvõti	1
Mitmefunktsionaalne võti	1
Splint	2
Kasutusjuhend	1

### Soovitatud tera

OSA NIMI	MUDELI NUMBER
Servalõikuri tera	AEB0800

## KIRJELDUS

### TUNDKE ENDA SERVALÕIKURIT (joon. A)

1. Lõpukork
2. Servalõikuri vars
3. Tera kate
4. Tera
5. Sügavuse reguleerimise nupp
6. Juhtratas
7. Kuuskantvõti
8. Mitmefunktsionaalne võti
9. Sügavuse reguleerimise juhtlapp
10. Jäätmeklapp
11. Splint
12. Juhtplaadi lukustuskruvi
13. Juhtplaat

## SEADE

**⚠ HOIATUS:** Kui mõni osa on kahjustatud või puudub, ärge kasutage seadet enne kui see osa on parandatud. Kasutades kahjustatud või vajalike komponentideta seadet, võite saada raskeid vigastusi.

**⚠ HOIATUS:** Ärge üritage seadet ümber ehitada ega kasutada lisaseadmeid, mis pole mõeldud kasutamiseks selle trimmeriga. Kõik niisugused muudatused loetakse väärkasutuseks ja need võivad põhjustada ohtlikke olukordi, mis lõppevad raskete vigastustega.

**⚠ HOIATUS:** ärge reguleerige terakaitset. Terakaitse on tehases paigaldatud sedasi, et terakaitse nool ja avatud külg on suunaga kasutajast eemale. See tagab selle, et lõikejäägid ja muud jäätmed suunatakse tööriistast ja kasutajast eemale.

### SERVALÕIKURI TOITEPEAGA ÜHENDAMINE

Servalõikur on mõeldud kasutamiseks EGO 56 V liitium-ioon toitepeaga PH1400E.

Vaadake PH1400E kasutusjuhendi peatükki „TARVIKU TOITEPEAGA ÜHENDAMINE“.

## KASUTAMINE

**⚠ HOIATUS:** Ärge muutuge toodet tundma õppides hooletuks. Pidage meeles, et raskeid vigastusi põhjustavaks õnnetuseks piisab ka sekundi murdosa pikkusest tähelepanematusast.

**⚠ HOIATUS:** Kandke alati küljekaitsega turvaprilile. Koos kuulmiskaitsega. Vastasel korral võib teile midagi silma lennata ja võite saada ka muud laadi raskeid vigastusi.

### RAKENDUSED

Seadet tohib kasutada allpool loetletud eesmärkidel:

- kõnnitee servade lõikamine, piiripaneel, lillepeenrad ja muud sarnased alad.

**MÄRKUS:** Seadet tohib kasutada vaid käesolevas juhendis lubatud eesmärgil. Igasugust muud kasutust loetakse väärkasutuseks.

### Enne iga kasutuskorda kontrollige ega seadme osad kulunud või kahjustatud pole.

Kontrollige lõikepead, piiret ja eesmist abikäepidet ning vahetage välja mõranenud, vääändunud, paindunud või muul moel kahjustatud komponendid.

**⚠ HOIATUS:** raskete vigastuste vältimiseks eemaldage alati aku enne kui asute seadet remontima, puhastama, lisatarvikuid kinnitama või kinni jäänud objekte eemaldama.

### SERVALÕIKURI TOITEPEAGA KASUTAMINE

**⚠ HOIATUS:** Kandke sobivat riietust, et vältida trimmeri kasutamise käigus vigastuste teket. Ärge kandke ehteid ega avaraid riideid. Kandke nägemis- ja kuulmiskaitsevahendeid. Kandke tugevast materjalist pikki pükse, saapaid ja kindaid. Ärge kandke trimmeriga töötades lühikesi pükse ega sandaale ja ärge töötage paljajalu. Tolmustes tingimustes kandke näomaski või tolmumaski.

**⚠ HOIATUS:** eemaldage tööalalt kõik takistused ja kõvad esemed.

Turvalise ja parema töö tagamiseks kasutage õlarihma. Kohandage õlarihma nii, et teil oleks mugav töötada.

Hoidke alati parema käega tagumisest ja vasaku käega eesmisest abikäepidemest, Hoidke töö käigus masinat tugevalt mõlema käega. Servalõikurit tuleb hoida mugavas asendis sedasi, et tagumine käepide jääks ligikaudu puusa kõrgusele (joon. B).

**⚠ HOIATUS:** õlarihm on ohtlikes olukordades ka kiirvabastusmehhanism. Hädaolukorras eemaldage see viivitamatult õlalt, sõltumata selle suunast.

### Puhastage servalõikurit pärast iga kasutuskorda.

Lisateavet leiate HOOLDUSE peatükis toodud puhastusjuhistest.

## LÖIKESÜGAVUSE REGULEERIMINE

1. Seisake mootor ja eemaldage akuplokk.
2. Lõdvestage sügavuse reguleerimise nupp, keerates seda vabastamise noole suunas (joon. C).
3. Liigutage juhtratast koos sügavuse reguleerimise latiga ülespoole ja suurendage lõikesügavust, langetage sügavuse vähendamiseks (joon. D).
4. Reguleerige juhtratast sedasi, et tera on praktiliselt maapinnal või ei löiku mullaga enam, kui 5 mm (joon. E) ja pingutage see tugevalt.
5. Seiske normaalses töösendis ja kontrollige uuesti lõikesügavust. Vajadusel korrigeerige.

## TÖÖRIISTA KÄIVITAMISEKS/PEATAMISEKS

Vaadake PH1400E toitepea kasutusjuhendi peatükki „TOITEPEA KÄIVITAMINE/PEATAMINE“.

## JUHENDEID KASUTAMISEKS

- Hoidke ja juhtige toitepead sedasi, et tera on vertikaalselt. Kasutage sihikut ja joondage tera lillepeenra servaga (joon. F).
- Kasutage tavapärasel kõndimiskiirusel. Kui tera hakkab aeglustuma, liigute liiga kiirelt ja peate liikuma aeglasemalt.
- Kõndige lõigates alati edasi ja liikuge lõiketera edasi. Ärge tõmmake servalõikurit enda suunas.
- Ärge pressige tera pinnasesse. Tera õrn kokkupuude kõnnitee serva, kurvi, jms. on lubatud ja ei kahjusta servalõikurit.
- Parimad tulemused saavutate kuiva murukattega. Vältige märja pinnase või murukatte lõikamist, sest terakaitse võib ummistuda ja tulemuseks on ebahühtlane serv. Kui terakaitse ummistub, peatage mootor, eemaldage akuplokk ja eemaldage terakaitsemelt jäätmed.

## HOOLDUS

**⚠ HOIATUS:** enne seadme kontrolli, puhastamist või hooldust tuleb mootor peatada ja oodata kõigi liikuvate osade peatumist ja eemaldada akuplokk. Juhiste mittejärgimine võib põhjustada tõsise vigastuse või varalise kahju.

**⚠ HOIATUS:** Remontimisel kasutage vaid originaalvaruosi. Kontrollige ja hooldage seadet regulaarselt. Ohutuse ja töökindluse tagamiseks tohivad seda seadet remontida ainult vastava kvalifikatsiooniga hooldustehnikud.

## ÜLDINE HOOLDUS

Vältige plastosade kasutamisel lahustite kasutamist. Enamik plastmasse on kaubanduslike lahustite suhtes tundlikud ja võivad nende kasutamisel kahjustada saada. Kasutage mustuse, tolm, õli, rasva jm eemaldamiseks puhast lappi.

## SEADME PUHASTAMINE

- Eemaldage pärast iga kasutuskorda jäätmed, terale kogunenud muru ja harjake terakaitset pehme harjaga. Pühkige servalõikuri pind puhta niiske lapiga puhtaks.
- Tagumise korpuse õhutusavade takistustest puhastamiseks kasutage väikest harja või tolmuimeja väikese harja õhuväljutusava.

**MÄRKUS:** Ärge kasutage plastmasskomponentide või käepideme puhastamiseks tugevatoimelisi puhastusaineid. Seadme osi võivad kahjustada teatud aromaatsed õlid (nt männi- või sidruniõli).

## TERADE ASENDAMINE

**⚠ HOIATUS:** ärge üritage sirgendada või keevitada paindunud või pragunenud tera, see võib puruneda ja tuleb asendada. Soovitatud asendusosaks on vaid EGO servalõikuri tera, vt jaotist „Soovitatud tera“.

**MÄRKUS:** asendage tera, kui selle pikkusest ei piisa enam, et hoida vajalikku kõrgust maapinnast ja vajaliku lõikesügavuse jaoks.

**⚠ HOIATUS:** kaitske alati oma käsi, kasutades servalõikuri tera hooldamisel tugevaid töökindaid või kattes teravad ääred rätikute või muu kattega.

## Tera eemaldamine

1. Seisake mootor ja eemaldage akuplokk.
2. Asetage servalõikur pikali, teraga ülespoole.
3. Kandke kaitsekindaid. Kasutage terava otsaga näpitsaid (ei kuulu komplekti) ja eemaldage mootori võlli splint (joon. G).
4. Pöörake tera sedasi, et selle ääriku pilu joondub käigukasti avaga (joon. G).

Joonise G osade kirjeldus:

G-1	Splint
G-2	Seesmine äärik
G-3	Käigukast

5. Sisestage komplekti kuuluv kuuskantvõti joondatud avadesse stabilisaatoriks. Kasutage komplekti kuuluvat mitmefunktsionaalset võtit ja vabastage mutter **PÄRIPÄEVA** (joon. H).

6. Eemaldage mutter, välisäärik, tera ja seesmine äärik mootori võlliit (joon. I). Kontrollige ja asendage kulunud osad.

Joonise I osade kirjeldus:

I-1	Mootorivõll	I-5	Tera
I-2	Seesmine äärik	I-6	Välimine äärik
I-3	Seesmise ääriku pilu	I-7	Mutter
I-4	Seesmise ääriku kühm	I-8	Splint

### Tera paigaldamine

1. Asetage seesmine äärik mootori võllile sedasi, et selle kühm jääb väljapoole (joon. I).
2. Paigaldage seesmisele äärikule uus tera ja veenduge, et tera on kindlalt omal kohal (joon. J).
3. Kinnitage välimine äärik ja mutter varrele, eelpingutage mutter käsitsi **VASTUPÄEVA**.
4. Järgige jaotises „Tera eemaldamine“ toodud samme 4 ja 5 ja stabiliseerige tera ning pingutage mutter **VASTUPÄEVA**.
5. Sisestage uus komplekti kuuluv splint mootorivarre avasse. Painutage näpitsatega (ei kuulu komplekti) kaks splindi jalga erinevates suundades (joon. G).

### JUHTRATTA ASENDAMINE

1. Seisake mootor ja eemaldage akuplokk.
2. Asetage servalõikur pikali, juhtrattaga ülespoole.
3. Lõdvestage sügavuse reguleerimise nupp, keerates seda vabastamise noole suunas ja eemaldage see.
4. Eemaldage kruvipostiit vedruseib, tavaline seib 1, juhtratas, läbiviik ja tavaline seib 2 (joon. K). Kontrollige ja asendage kulunud osad.
5. Kinnitage esmalt läbi kõrguse juhtlati kruvipost, seejärel tavaline seib 2, läbiviik ja uus ratas, seejärel paigaldage tavaline seib 1, vedruseib ja sügavuse reguleerimise nupp kruvipostiile vastavalt joonisel K näidatud järjekorrale.

Joonise K osade kirjeldus:

K-1	Sügavuse reguleerimise nupp	K-5	Läbiviik
K-2	Vedruseib	K-6	Tavaline seib 2
K-3	Tavaline seib 1	K-7	Kruvipost
K-4	Juhtratas	K-8	Sügavuse reguleerimise juhtlatt

**MÄRKUS:** juhtratas tuleb kinnitada lapikute kodaratega sissepoole (joon. L).

Joonise L osade kirjeldus:

L-1	Kruvid	L-3	Jäätmeklapp
L-2	Lapik kodar	L-4	Kinnitusplaat

6. Lukustage sügavuse reguleerimise nupp.

### JÄÄTMEKLAPI ASENDAMINE (Joon. L)

1. Seisake mootor ja eemaldage akuplokk.
2. Kasutage kahe kruvi lõdvestamiseks komplekti kuuluvat kuuskantvõtit.
3. Eemaldage kruvid, kinnitusplaat ja kulunud jäätmeklapp.
4. Asendage uue jäätmeklapiga ja lukustage see kinnitusplaadi ja kahe kruviga.

### KULUMISVASTASE KAITSE/JUHTPLAADI KONTROLLIMINE JA ASENDAMINE (Joon. M)

Kontrollige kulumisvastast kaitset ja juhtplaati enne tööriista kasutamist ja veenduge, et need ei ole kahjustatud. Kulumisvastane kate tuleb asendada kohe, kui käigukast on nähtaval.

**MÄRKUS:** kui kulumisvastast õigel hetkel ei asendata, võib käigukast tõsiselt kannatada saada.

1. Seisake mootor ja eemaldage akuplokk.
2. Kandke kaitsekindaid. Vajadusel pöörake tera kruvide paljastamiseks.
3. Kasutage kahe kruvi lõdvestamiseks komplekti kuuluvat kuuskantvõtit ja eemaldage need.

**MÄRKUS:** kui peate eemaldama ainult juhtplaadi, lõdvestage ja eemaldage vaid kruvi 1.

4. Asendage moondunud või kulunud kulumisvastane kaitse/juhtplaat.
5. Paigaldage uus kulumisvastane kaitse ja juhtplaat käigukastile ja lukustage kahe kruviga.

Joonise M osade kirjeldus:

M-1	Kruvi 1	M-4	Kulumisvastane kaitse
M-2	Juhtplaat	M-5	Kinnitusavad
M-3	Kruvi 2	M-6	Käigukast

### JUHTPLAADI EEMALDAMINE

Kui olete kogunud servalõikuri kasutaja või juhtplaat jääb töötades ette, võite selle eemaldada.

1. Lõdvendage ja eemaldage kruvi 1.
2. Eemaldage juhtplaat.
3. Pange kruvi 1 tagasi ja pingutage.



## KÄIGUKASTI HAMMASRATASTE MÄÄRIMINE

Käigukasti hammasrattaid tuleb perioodiliselt määrdeainega määrada. Kontrollige käigukasti määrdevahendi taset ligikaudu iga 50 töötunni järelt, selleks tuleb eemaldada korpuse küljel asuv kinnituskruvi.

Kui hammasrataste külgedelt määrdeainet ei paista, järgige allpool toodud samme ja lisage määrdeainet kuni 3/4 ulatuses.

Ärge täitke käigukasti hammasrattaid täielikult.

1. Paigutage servalõikuri otse sedasi, et kinnituskruvi jääb ülespoole (joon. N).
2. Kasutage kinnituskruvi avamiseks ja eemaldamiseks komplekti kuuluvat multifunktsionaalset võtit. Kasutage määrdeainepritsi (ei kuulu komplekti) ja pritsige kruviauku veidi määrdeainet; ärge ületage 3/4 mahust.
3. Pingutage kinnituskruvi pärast määrdeaine pritsimist.

## SEADME HOIUSTAMINE

- Ühendage servalõikuri akuplokk lahti ja puhastage.
- Enne tööriista hoiustamist puhastage see hoolikalt.
- Servalõikuri tarviku eemaldamisel toitepea küljest ja hoiustamisel, tõstke üles tarviku otsakork sedasi, et mustus ei pääseks haakeseadeldisse.
- Hoidke tööriista kuivas ja kõrges lukustatud ning lastele ligipääsmatus kohas. Ärge hoidke seadet väetiste, bensiini või muude kemikaalide läheduses.

## Keskkonnakaitse



Ärge visake elektriseadmeid, akulaadijat ega patareisid / akusid olmeprügi hulka!

Vastavalt Euroopa Liidu eriaruandele nr 2012/19/EÜ tuleb elektri- ja elektroonikaseadmed, mis pole enam kasutatavad, ning, vastavalt direktiivile 2006/66/EÜ, ka defektsed või kasutatud akuplokkid / patareisid, eraldi kokku koguda.

Kui elektriseadmed maetakse maa sisse või viiakse prügimäele, võivad ohtlikud ained põhjavette lekkida ja toiduahelasse sattuda ning kahjustada teie tervist ja heaolu.

## EN VASTAVUSDEKLARATSIOON



Meie, EGO EUROPE GMBH

Wahlwiesenstrasse 1, D-71711 Steinheim an der Murr  
Deutschland

Kinnitame, et **56-voldise liitium-ioonaku juhtmeta kantsae tarvik EA0800**, mis on varustatud toitepeaga PH1400E

Vastab järgmistes direktiivides toodud olulistele tervisekaitse- ja ohutusnõuetele:

2006/42/EÜ, 2014/30/EL, 2011/65/EL, 2000/14/EÜ

Viidatud standardid ja tehnilised spetsifikatsioonid:

EN 60745-1, ISO 11789-1, EN 55014-1, EN 55014-2

Möödetud helivõimsuse tase: 92,4 dB(A),

Garanteeritud helivõimsuse tase: 95 dB(A)

Peter Melrose  
EGO Europe GmbH tegevjuht

Dong Jianxun  
Chevroni kvaliteedijuht

\*(CHERVONI volitatud esindaja ja tehniliste dokumentide eest vastutav isik)

01/12/2016

## TÖRKEOTSING

PROBLEEM	PÕHJUS	LAHENDUS
Mootor ei käivitu.	<ul style="list-style-type: none"> <li>■ Akuplokk pole toitepeaga ühendatud.</li> <li>■ Toitepea ja aku vahel puudub elektriline ühendus.</li> <li>■ Akuplokk on tühi.</li> <li>■ Lukustushooba ja päästikut ei vajutatud samaaegselt.</li> </ul>	<ul style="list-style-type: none"> <li>■ Kinnitage akuplokk toitepea külge.</li> <li>■ Eemaldage aku, kontrollige ühendusi ja paigaldage akuplokk tagasi, kuni see oma kohale klõpsab.</li> <li>■ Laadige akupakki kasutusjuhendis loetletud EGO laadijatega.</li> <li>■ Jõhvtrimmeri sisse lülitamiseks vajutage lukustushooba ja hoidke seda all ning suruge päästik alla.</li> </ul>
Toitepea peatub keset tööd.	<ul style="list-style-type: none"> <li>■ Mootor on ülekoormatud</li> <li>■ Akuplokk või toitepea on üle kuumenenud.</li> <li>■ Akuplokk on tööriista küljest lahti ühendatud.</li> <li>■ Akuplokk on tühi.</li> </ul>	<ul style="list-style-type: none"> <li>■ Mootor taastub pärast koormuse eemaldamist. Pideva töö tagamiseks vähendage toitepea koormust.</li> <li>■ Jahutage akuplokki või toitepead, kuni temperatuur langeb alla 67°C.</li> <li>■ Paigaldage akuplokk tagasi.</li> <li>■ Laadige akupakki kasutusjuhendis loetletud EGO laadijatega.</li> </ul>
Ebaühtlane serv	<ul style="list-style-type: none"> <li>■ Muru või lõigatav pinnas on liiga märg.</li> <li>■ Terakaitse on ummistunud.</li> </ul>	<ul style="list-style-type: none"> <li>■ Vältige märja pinnase või muru lõikamist.</li> <li>■ Peatage mootor, eemaldage akuplokk ja eemaldage terakaitsemelt jäätmed.</li> </ul>

## GARANTII

### EGA GARANTIIPÕHIMÕTTED

Täielikud EGO garantiitingimused leiате veebilehelt [egopowerplus.com](http://egopowerplus.com).

