

PARTS LIST

CHAIN SAW

G3300
G3300EZ

NOTE :

1. Use KOMATSU ZENOAH genuine parts specified in the parts list for repair and/or replacement.
2. KOMATSU ZENOAH does not warrant the machines, those which have been damaged by the use of any parts other than those specified by the company.
3. When placing orders of parts for repair and/or replacement, check if the model name and the serial number are suitable to those specified in the parts list, then use parts number described in the parts list.
4. The contents described in the parts list may change due to improvement.
5. The parts for the machine shall be supplied within ten (10) years after the machine is discontinued.
[It is possible that some specific parts may be subject to change of their delivery term and list price within the limit of ten (10) years after the machine is discontinued. And it is also possible that some parts may be available even after the limit of ten (10) years.]

Fig.1 POWER UNIT

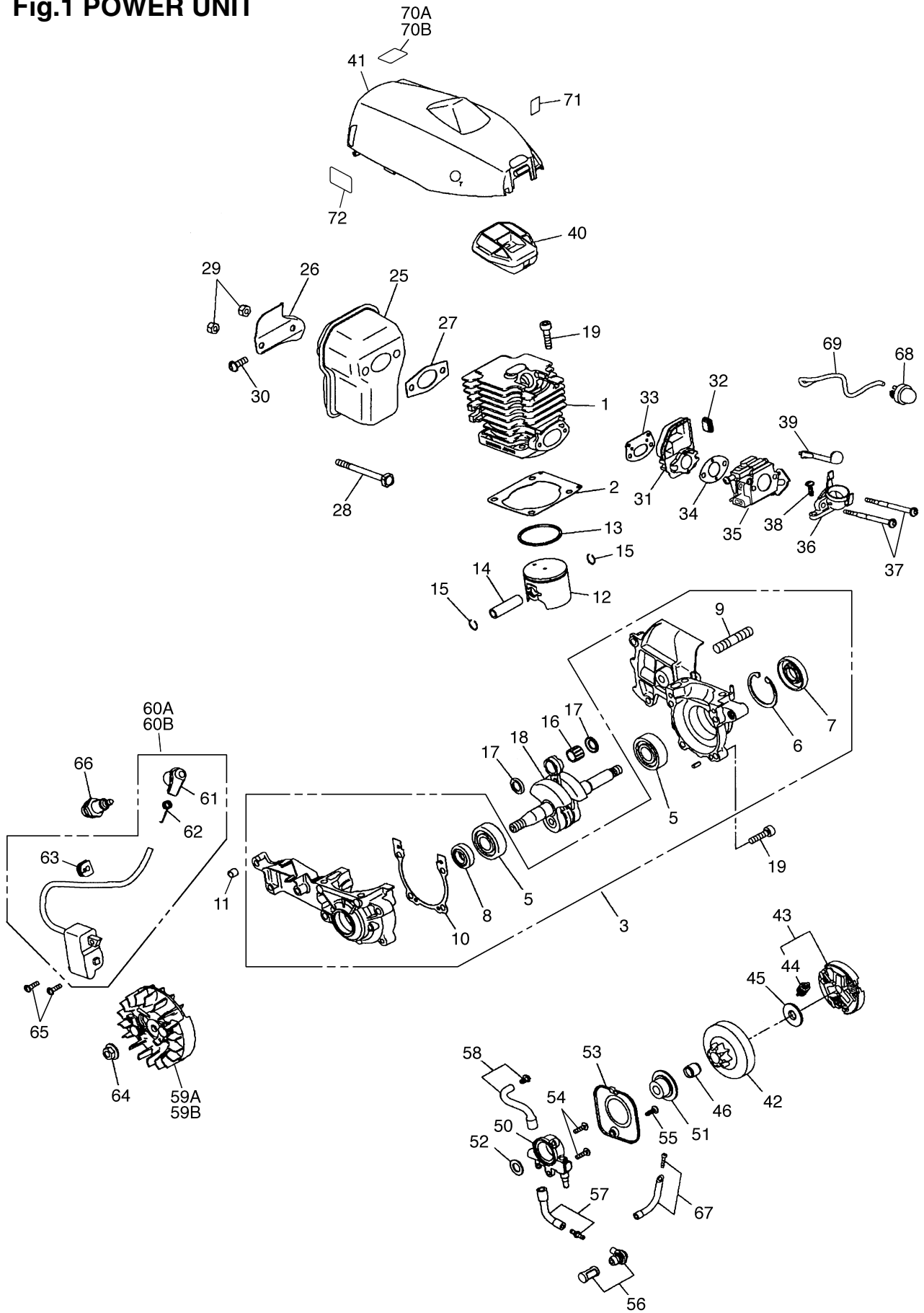


Fig.1 POWER UNIT

Key#	PART NUMBER	DESCRIPTION	Q'TY /UNIT	NOTE	Key#	PART NUMBER	DESCRIPTION	Q'TY /UNIT	NOTE
1	848C3012A1	CYLINDER	1		59A	848C357111	ROTOR COMP.	1	G3300
2	T2200-14210	GASKET, cyl	1	*	59B	848C307111	ROTOR COMP.	1	G3300EZ
3	848C302101	CASE ASSY	1		60A	848C357121	COIL ASSY	1	G3300
5	06030-06201	• BEARING	2		60B	848C307121	COIL ASSY	1	G3300EZ
6	04065-03212	• SNAPRING ϕ 32	1		61	2850-72110	• CAP	1	
7	2169-21210	• SEAL	1		62	1400-72121	• SPRING	1	
8	8488AC3210	• SEAL	1		63	5500-72130	• GROMMET	1	
9	2616-21230	• STUD	1		64	1650-43230	NUT M8xP1.0	1	
10	848C3021D1	• GASKET	1	*	65	2670-55410	SCREW M4xL14 T20	2	
11	8488Y56000	SPACER	1		66	3699-90032-10	SPARK PLUG	1	
12	T2200-41110	PISTON	1		67	T2100-31500	PIPE COMP.	1	
13	T2102-41210	RING	1		68	2850-81900	PUMP	1	
14	T2200-41310	PIN	1		69	2850-82611	PIPE	1	
15	3310-41320	RING	2		70A	848C3590F0	LABEL, caution	1	G3300
16	3310-41410	BEARING	1		70B	848C3690F0	LABEL, caution	1	G3300EZ
17	1650-41510	WASHER	2		71	848C3090E0	LABEL, choke	1	
18	T2200-42000	SHAFT COMP.	1		72	T2990-21120	LABEL	1	
19	4820-13180	BOLT TORX M5xL20 T27	8			848C300610	GASKET KIT (*: #2,10,27,33,34)	1	OPTION
25	T2200-15110	MUFFLER	1						
26	T2200-15310	STAY	1						
27	T2100-15210	GASKET	1	*					
28	T2100-15220	BOLT	2						
29	2850-15230	NUT	2						
30	8488151400	SCREW M5xL14 T27	1						
31	848C3014A1	INSULATOR	1						
32	T2200-31120	CAP	1						
33	848C3014B1	GASKET, in	1	*					
34	3330-14121	GASKET,carb	1	*					
35	848C3A8100	CARBURETOR ASSY	1	WT748					
36	848C3082A2	MANIFOLD	1						
37	2867-82210	BOLT M4x70	2						
38	8488251601	SCREW TP5(P-tight)xL16 T27	1						
39	848C3082F2	ROD CHOKE	1						
40	T2200-83100	CLEANER	1						
41	848C3031A2	COVER	1						
42	T2220-51110	DRUM 3/8x6T ϕ 60	1						
43	848C305121	CLUTCH	1						
44	848C3051E2	• SPRING	3						
45	T2041-51210	PLATE	1						
46	3310-51310	BEARING	1						
50	2841-55112	OIL PUMP	1						
51	2850-55121	WORM	1						
52	2850-55211	WASHER	1						
53	T2200-55610	COVER	1						
54	2670-55410	SCREW M4xL14 T20	2						
55	2670-54630	SCREW TP4(B-tight)xL12 T20	1						
56	T2100-23200	FILTER COMP.	1						
57	848C306732	PIPE IN COMP.	1						
58	T2200-21400	PIPE OUT COMP.	1						

Fig.2 POWER UNIT

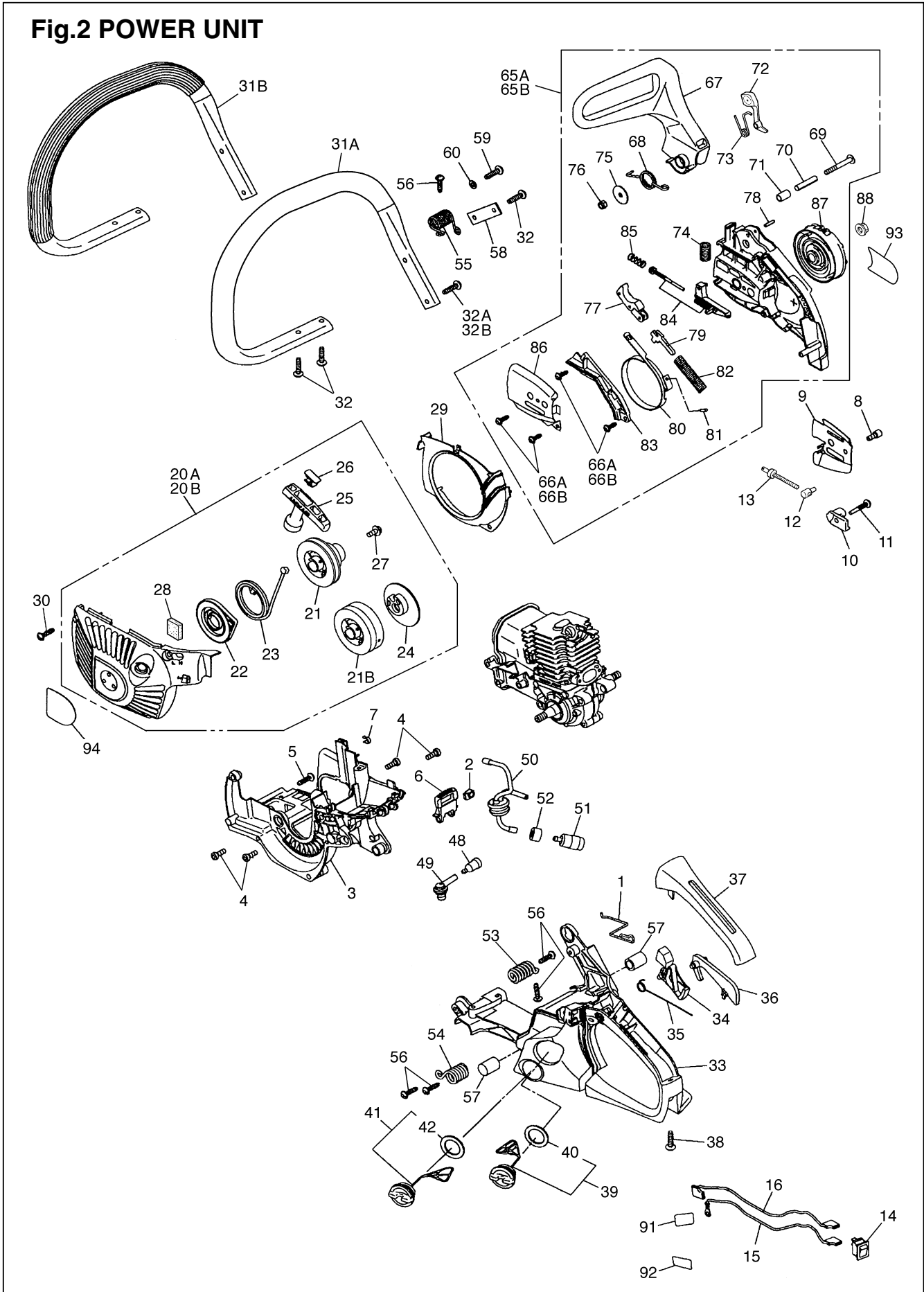
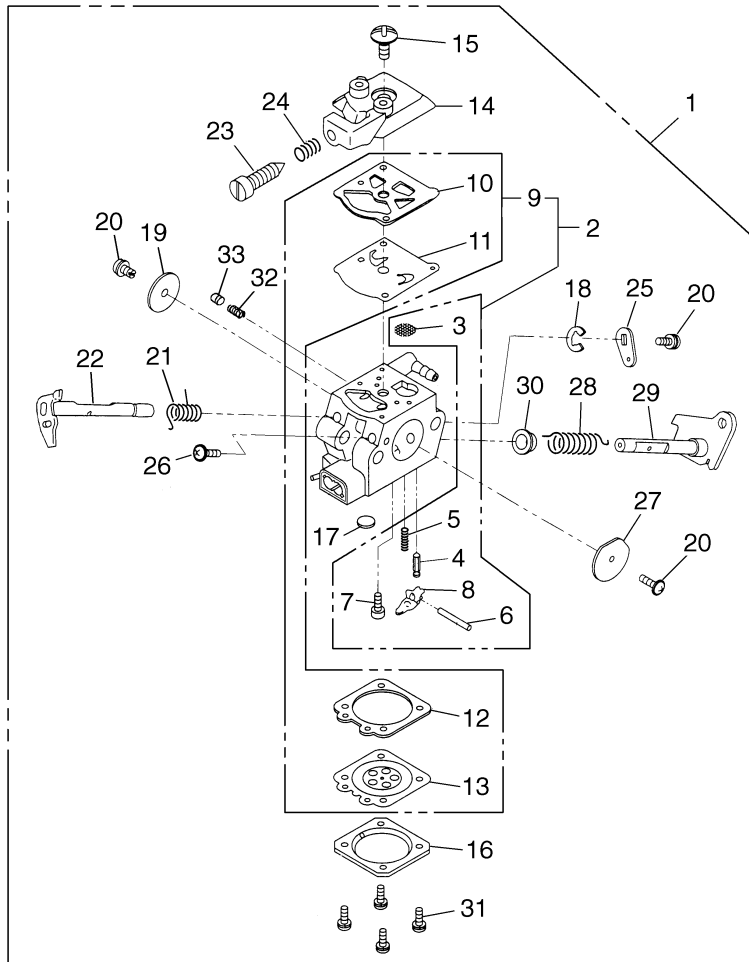


Fig.2 POWER UNIT

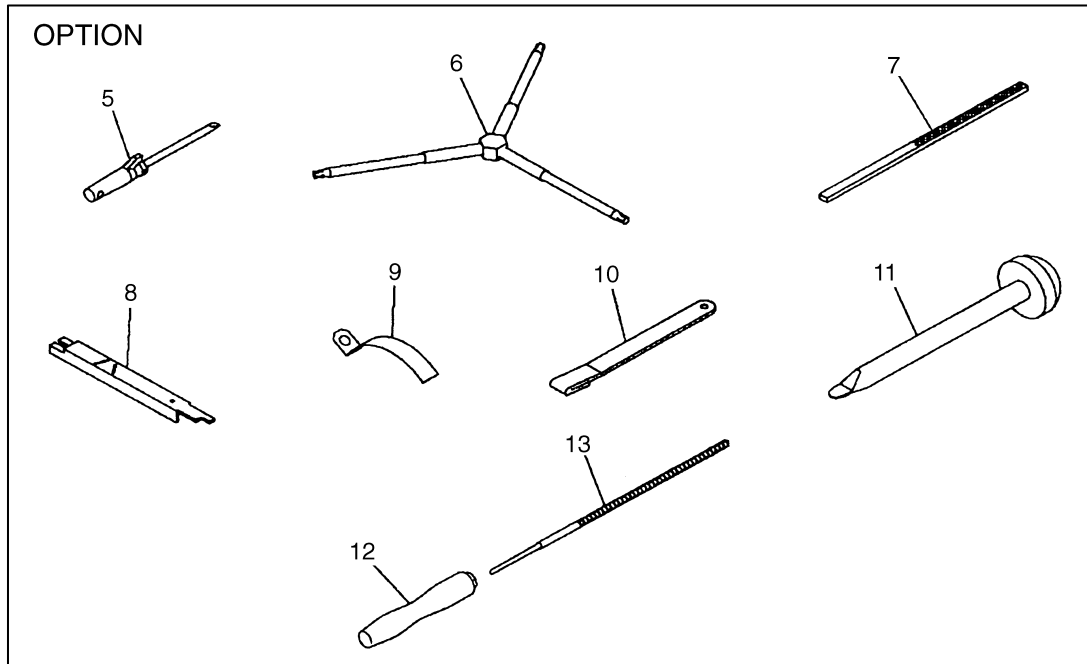
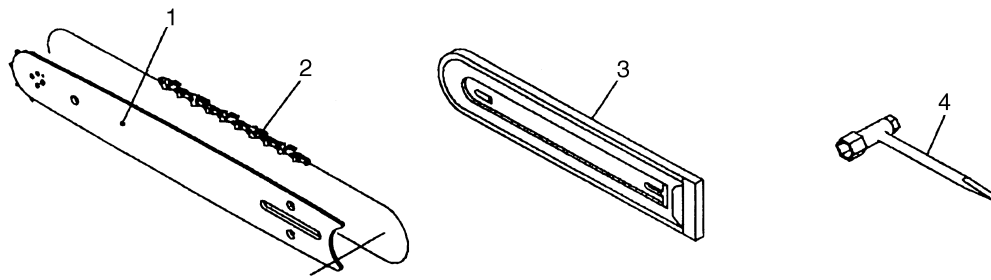
Key#	PART NUMBER	DESCRIPTION	Q'TY /UNIT	NOTE	Key#	PART NUMBER	DESCRIPTION	Q'TY /UNIT	NOTE
1	848C3082H3	ROD	1		55	848C3037C1	SPRING P	1	
2	848C3082G2	GROMMET	1		56	8488251901	SCREW TP5(P-tight)xL19 T27	5	
3	848C3025A2	CASE	1		57	848C3037D2	HELPER	2	
4	8488151400	SCREW M5xL14 T27	4		58	848C3037E1	BAND	1	
5	8488251911	SCREW TP5(P-tight)xL19 T27	1		59	8488251601	SCREW TP5(P-tight)xL16 T27	1	
6	848C3025C2	KNOB	1		60	01640-20508	WASHER	1	
7	848C3025D0	CLIP	1						
8	T2200-21230	BOLT	1		65A	848C355402	BRAKE ASSY	1	G3300
9	848C306612	PLATE	1		65B	848C365401	BRAKE ASSY	1	G3300EZ
10	848C3066F1	CATCHER	1		66A	2670-54630	• SCREW TP4(B-tight)xL12 T20	4	G3300
11	8488251911	SCREW TP5(P-tight)xL19 T27	1		66B	2670-54630	• SCREW TP4(B-tight)xL12 T20	3	G3300EZ
12	3310-53320	NUT	1	G3300	67	848C3054A2	• GUARD	1	
13	8488353900	SCREW	1	G3300	68	2850-54120	• SPRING	1	
14	2850-74102	SWITCH ASSY	1		69	2850-54130	• SCREW	1	
15	848C3072C1	CORD EARTH	1		70	2850-54140	• SPACER	1	
16	848C3072B1	CORD SWITCH	1		71	2850-54211	• SPACER	1	
					72	848C605423	• WEIGHT	1	
20A	848C357502	STARTER ASSY	1	G3300	73	2872-54230	• SPRING	1	
20B	848C307502	STARTER ASSY	1	G3300EZ	74	2851-54270	• SPRING	1	
21A	848C3575C1	• REEL	1	G3300	75	3330-75411	• WASHER	1	
21B	848C307520	• REEL COMP.	1	G3300EZ	76	3310-53331	• NUT	1	
22	2841-75300	• SPRING COMP.	1		77	2851-54301	• LEVER COMP.	1	
23	T2044-75410	• ROPE ø3	1		78	2851-54350	• ROLLER	1	
24	T2044-75510	• PULLY	1	G3300EZ	79	2670-54411	• ARM	1	
25	1400-75170	• KNOB	1		80	T2200-54510	• BAND	1	
26	T2044-75420	• KNOB CAP	1		81	3356-24140	• ROLLER	1	
27	T1812-75150	• SCREW M5xL12	1		82	2670-54610	• SPRING	1	
28	848C3074B0	• CUSHION	1		83	848C3053C2	• COVER	1	
29	848C3074A1	COVER	1		84	T2200-53200	• LINK A	1	G3300EZ
30	8488251911	SCREW TP5(P-tight)xL19 T27	3		85	T2200-53280	• SPRING	1	G3300EZ
31A	848C3332A1	HANDLE	1	G3300	86	848C3066C1	• PLATE(B)	1	
31B	T2200-32100	HANDLE	1	G3300EZ	87	848C305341	• NUT ASSY	1	G3300EZ
32A	8488252711	SCREW TP5(P-tight)xL27 T27	4	G3300	88	3350-53410	NUT	1	G3300
32B	8488251901	SCREW TP5(P-tight)xL19 T27	4	G3300EZ					
33	848C303311	HANDLE COMP.	1		91	848C3090K0	LABEL	1	
34	848C3033C1	LEVER	1		92	848C3090L0	LABEL	1	
35	3356-33321	SPRING	1		93A	848C3590B0	LABEL, cover	1	G3300
36	848C3033E3	ARM	1		93B	848C3090B0	LABEL, cover	1	G3300EZ
37	848C3033L1	COVER	1		94A	848C3590C0	LABEL, case	1	G3300
38	8488251911	SCREW TP5(P-tight)xL19 T27	1		94B	848C3690C0	LABEL, case	1	G3300EZ
39	2841-31801	CAP ASSY	1						
40	2841-31820	• GASKET	1						
41	2877-31800	CAP ASSY	1						
42	2841-31820	• GASKET	1						
48	2850-34501	BREATHER ASSY	1						
49	848C3085U0	GROMMET	1						
50	848C308530	PIPE ASSY	1						
51	1850-85300	FILTER	1						
52	2850-34350	COLLAR	1						
53	848C3037A1	SPRING F	1						
54	848C3037B1	SPRING M	1						

Fig.3 CARBURETOR COMPONENTS



Key#	PART NUMBER	DESCRIPTION	Q'TY /UNIT	NOTE	Key#	PART NUMBER	DESCRIPTION	Q'TY /UNIT	NOTE
1	848C3A8100	CARBURETOR ASSY	1		19	3310-81341	• VALVE	1	
2	848C3A0630	• REBUILD-KIT	1	(OP)	20	2880-81470	• SCREW	3	
3	3306-81380	•• SCREEN	1		21	2670-81410	• SPRING	1	
4	3356-81310	•• VALVE	1		22	848C3A81T0	• SHAFT	1	
5	2841-81270	•• SPRING	1		23	2630-81330	• SCREW	1	
6	3310-81250	•• PIN	1		24	3350-81380	• SPRING	1	
7	3310-81240	•• SCREW	1		25	2670-81440	• LEVER	1	
8	3310-81230	•• LEVER	1		26	2850-81190	• SCREW	1	
9	T2100-06020	•• GASKET KIT	1	(OP)	27	2841-81450	• VALVE	1	
10	3304-81140	••• GASKET	1		28	T2002-81350	• SPRING	1	
11	1172-81150	••• DIAPHRAGM	1		29	848C3081E0	• SHAFT	1	
12	2850-81290	••• GASKET	1		30	2850-81430	• BUSHING	1	
13	3310-81260	••• DIAPHRAGM	1		31	3310-81351	• SCREW	4	
14	2850-81120	• COVER	1		32	2810-81530	• SPRING	1	
15	3310-81130	• SCREW	1		33	848C7180N0	• PISTON	1	
16	3310-81280	• COVER	1						
17	1480-81420	• PLUG	1						
18	1148-81390	• RING	1						

Fig.4 ACCESSORIES



Key#	PART NUMBER	DESCRIPTION	Q'TY /UNIT	NOTE
1	848CB24G23	BAR 35-3/8	1	
2	2931-52210-50	CHAIN OREGON 91VG-J52E	1	
3	3617-97110	PROTECTOR 300~350mm	1	
4	3320-91140	WRENCH	1	
5	2670-91150	DRIVER	1	OPTION
6	2850-96410	WRENCH	1	OPTION
7	3317-91210	FILE	1	OPTION
8	3310-91540	GAUGE	1	OPTION
9	3330-97310	GAUGE	1	OPTION
10	2670-96220	STOPPER	1	OPTION
11	2670-96510	GUIDE	1	OPTION
12	3381-91510	FILE, round	1	OPTION
13	3381-91530	GRIP	1	OPTION



KOMATSU ZENOAH CO.

1-9 Minamidai, Kawagoe, Saitama, 350-1192 Japan

PRINTED IN JAPAN

PRINTED ON RECYCLED PAPER
IMPRIMÉ SUR PAPIER RECYCLÉ
GEDRUCKT AUF RECYCLING PAPIER
STAMPATO SU CARTA RICICLATA
IMPRESO EN PAPEL RECICLADO