



PARTS LIST

CHAIN SAW

G3200

NOTE :

1. Use KOMATSU ZENOAH genuine parts specified in the parts list for repair and/or replacement.
2. KOMATSU ZENOAH does not warrant the machines, those which have been damaged by the use of any parts other than those specified by the company.
3. When placing orders of parts for repair and/or replacement, check if the model name and the serial number are suitable to those specified in the parts list, then use parts number described in the parts list.
4. The contents described in the parts list may change due to improvement.
5. The parts for the machine shall be supplied within ten (10) years after the machine is discontinued.
[It is possible that some specific parts may be subject to change of their delivery term and list price within the limit of ten (10) years after the machine is discontinued. And it is also possible that some parts may be available even after the limit of ten (10) years.]

Fig.1 POWER UNIT

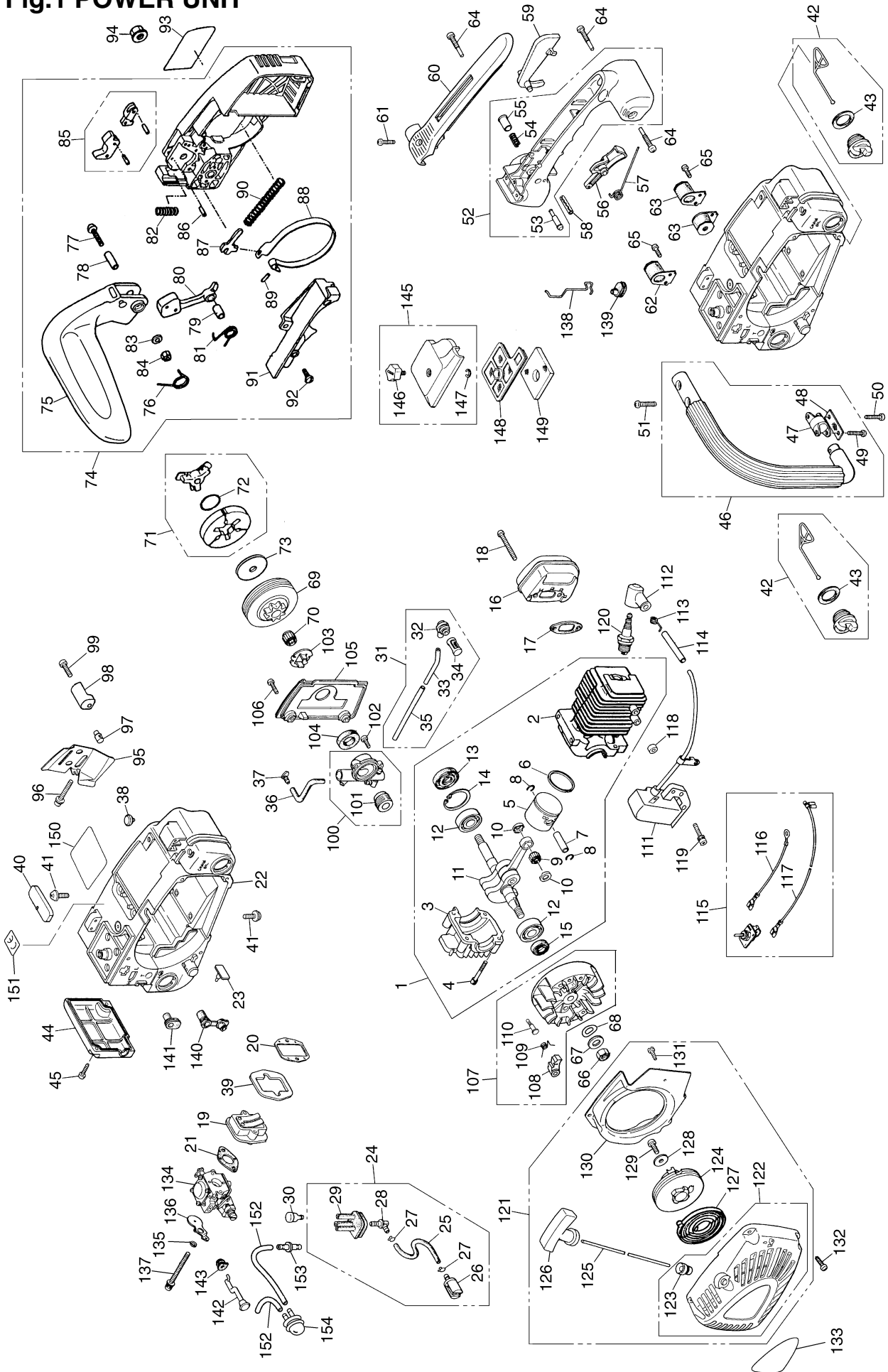


Fig.1 POWER UNIT

G3200

Key#	PART NUMBER	DESCRIPTION	Q'TY /UNIT	NOTE	Key#	PART NUMBER	DESCRIPTION	Q'TY /UNIT	NOTE
1	T2050-06050	SHORT BLOCK ASSY	1		80	848C205421	• WEIGHT	1	
2	T2050-12110	• CYLINDER	1		81	2872-54230	• SPRING	1	
3	T2050-21110	• CRANKCASE	1		82	2851-54270	• SPRING	1	
4	01252-30530	• BOLT	4		83	01641-20510	• WASHER	1	
5	2870-41111	• PISTON	1		84	3310-53331	• NUT(B)	1	
6	3319-41210	• RING	1		85	2851-54301	• LEVER COMP.	1	
7	3304-41310	• PIN	1		86	2851-54350	• PIN	1	
8	3310-41320	• SNAP RING	2		87	2670-54411	• ARM	1	
9	3310-41410	• BEARING	1		88	2872-54510	• BAND	1	
10	1650-41510	• WASHER	2		89	3356-24140	• PIN	1	
11	2870-42002	• CRANKSHAFT COMP.	1		90	2670-54610	• SPRING BRAKE	1	
12	06030-06201	• BEARING	2		91	2872-54623	• COVER SPRING	1	
13	2630-43150	• OIL SEAL	1		92	2630-33610	• SCREW	3	
14	04065-03212	• SNAP RING	1		93	-	LABEL	1	
15	2169-21210	• OIL SEAL	1		94	3350-53410	NUT	1	
16	T2050-15100	MUFFLER ASSY	1		95	2870-53310	PLATE(A)	1	
17	2630-15211	GASKET	1		96	2630-53330	SCREW	1	
18	3330-15220	BOLT	2		97	50032011	NUT(A)	1	
19	2870-22102	VALVE ASSY	1		98	2630-53412	CATCHER	1	
20	2870-22211	GASKET	1		99	2630-32170	SCREW	1	
21	3330-14121	GASKET	1		100	2630-55102	OIL PUMP ASSY	1	
22	5004024	ENGINE CASE COMP.	1		101	2630-55160	• GEAR WORM	1	
23	2870-31510	VALVE	1		102	0261-00416	SCREW	2	
24	T2052-31200	FUEL PIPE ASSY	1		103	2630-55211	PLATE WORM	1	
25	1492-85410	• PIPE	1		104	2630-55251	SEAL	1	
26	1850-85300	• FILTER ASSY	1		105	2630-55312	COVER PUMP	1	
27	1260-85460	• CLIP	2		106	2630-31950	SCREW	2	
28	3350-34320	• ELBOW	1		107	50030143	ROTOR ASSY	1	
29	50030318	• GROMMET	1		108	004000140	• PAWL	2	
30	3317-86100	BREATHER ASSY	1		109	50030112	• SPRING	2	
31	50032019	OIL PIPE ASSY	1		110	004000436	• PIN	2	
32	2630-31321	• GROMMET	1		111	2634-71110	MODULE	1	
33	2873-31330	• JOINT	1		112	5500-72110	CAP	1	
34	2630-31350	• FILTER	1		113	1900-72120	SPRING	1	
35	1492-85410	• PIPE	1		114	T1512-71320	TUBE	1	
36	1492-85410	PIPE	1		115	2634-06711	SWITCH SET	1	
37	3370-31210	PIN	1		116	2634-71120	• CORD EARTH	1	
38	2630-31510	VALVE ASSY	1		117	2630-72610	• WIRE SWITCH	1	
39	2870-22251	SEAL	1		118	5500-72150	SPACER	2	
40	2630-31650	CAP	1		119	3310-72150	BOLT	2	
41	2870-31750	SCREW M5x16	4		120	3699-90030-10	SPARK PLUG	1	
42	2841-31800	CAP ASSY	2		121	50042009	STARTER ASSY	1	
43	2630-31820	• GASKET	2		122	50042010	• CASE COMP.	1	
44	2630-31913	COVER FRONT	1		123	3330-75121	• • GUIDE	1	
45	2630-31950	SCREW	2		124	094000033A	• REEL	1	
46	50040056	FRONT HANDLE ASSY	1		125	1260-75151	• ROPE	1	
47	2630-32121	• JOINT(A)	1		126	072700091	• KNOB	1	
48	2630-32151	• STOPPER	1		127	004000132R	• SPRING	1	
49	2630-32170	• SCREW	1		128	2873-75410	• WASHER	1	
50	2630-32170	SCREW	1		129	094600041	• SCREW	1	
51	2630-32610	SCREW	2		130	50030161	• COVER FAN	1	
52	50042011	REAR HANDLE COMP.	1		131	2630-33610	• SCREW	1	
53	3330-33250	• STOPPER	1		132	2630-31950	SCREW	4	
54	3310-33262	• SPRING	1		133	-	LABEL	1	
55	3310-33271	• KNOB	1		134	T2054-81000	CARBURETOR ASSY	1	
56	2873-33312	THROTTLE LEVER	1		135	3310-82110	WASHER	1	
57	3356-33321	SPRING	1		136	2875-82120	CHOKE PLATE	1	
58	04025-00524	PIN	1		137	2630-82140	SCREW	2	
59	848C3033E3	ARM	1		138	2873-82151	THROTTLE ROD	1	
60	50040170	COVER GRIP	1		139	2630-82160	GROMMET	1	
61	2630-31950	SCREW	1		140	2630-82210	GROMMET(A)	1	
62	2630-33511	JOINT(B)(HARD)	1		141	2875-82221	GROMMET(B)	1	
63	2873-33520	JOINT(C)(SOFT)	2		142	2630-82311	CHOKE ROD	1	
64	2640-33530	BOLT	3		143	3320-33310	GROMMET	1	
65	2630-33610	SCREW	6						
66	004000142	NUT	1		145	2630-98500	COVER ASSY	1	
67	2873-43240	WASHER	1		146	2630-83120	• KNOB	1	
68	005000361	WASHER	1		147	0308-00040	• SNAP RING	1	
69	2872-51111	CLUTCH DRUM	1		148	2630-83511	CLEANER	1	
70	50030089	BEARING	1		149	2870-83610	ELEMENT	1	
71	848C205121	CLUTCH ASSY	1		150	-	LABEL	1	
72	2870-51230	• SPRING	1		151	-	LABEL(CE)	1	
73	2873-98610	PLATE	1		152	T2052-31260	PIPE	2	
74	50042007	CHAINBRAKE ASSY	1		153	2841-37150	JOINT	1	
75	50040174	• GUARD	1		154	2850-81900	PUMP	1	
76	2872-54120	• SPRING	1						
77	0263-80530	• SCREW	1						
78	2872-54140	• SPACER	1						
79	2850-54211	• SPACER	1						

Fig. 2 CARBURETOR COMPONENTS & ACCESSORIES

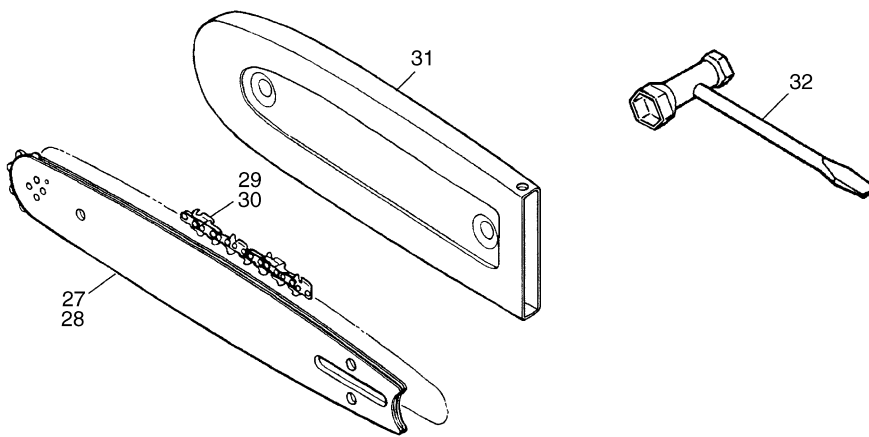
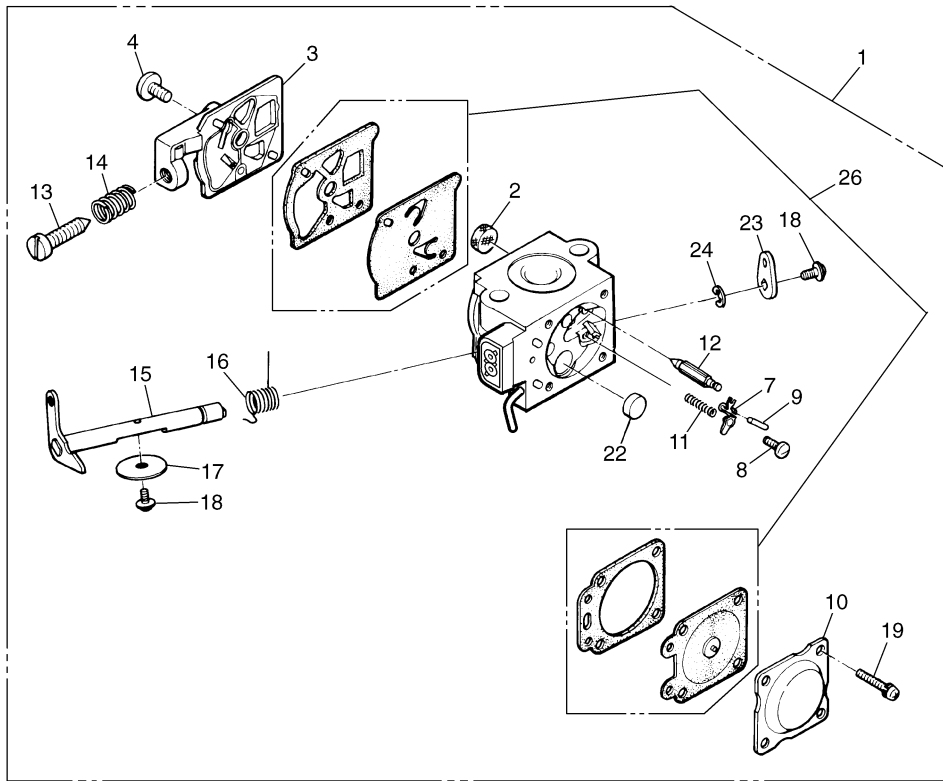


Fig. 2 CARBURETOR COMPONENTS & ACCESSORIES

Key#	PART NUMBER	DESCRIPTION	Q'TY /UNIT	NOTE	Key#	PART NUMBER	DESCRIPTION	Q'TY /UNIT	NOTE
1	T2054-81000	CARBURETOR ASSY	1						
2	3306-81380	• SCREEN	1						
3	T2052-81120	• PUMP COVER	1						
4	3310-81130	• SCREW	1						
7	3310-81230	• METERING LEVER	1						
8	3310-81240	• SCREW	1						
9	3310-81250	• PIN	1						
10	3310-81280	• COVER	1						
11	2841-81270	• SPRING	1						
12	3356-81310	• NEEDLE VALVE	1						
13	2630-81330	• SCREW	1						
14	3350-81380	• SPRING	1						
15	2875-81370	• SHAFT ASSY	1						
16	2670-81410	• SPRING	1						
17	3310-81341	• THROTTLE VALVE	1						
18	2880-81470	• SCREW	2						
19	3310-81351	• SCREW	4						
22	1480-81420	• PLUG	1						
23	2630-81440	• LEVER	1						
24	1148-81390	• RING	1						
26	T2050-06020	GASKET/DIAPHRAGM KIT	1						
27	3606-52113	BAR12"	1						
28	3607-52112-50	BAR14"	1						
29	2931-52210-50	CHAIN 91VG-52E	1	14"					
30	3606-52211-50	CHAIN 91VG-45E	1	12"					
31	3617-97110	PROTECTOR	1						
32	2304073	WRENCH	1						



KOMATSU ZENOA CO.

1-9 Minamidai, Kawagoe, Saitama, 350-1192 Japan

PRINTED IN JAPAN

PRINTED ON RECYCLED PAPER
IMPRIMÉ SUR PAPIER RECYCLÉ
GEDRUCKT AUF RECYCLING PAPIER
STAMPATO SU CARTA RICICLATA
IMPRESO EN PAPEL RECICLADO