



PARTS LIST

POLE SAW

PSZ2600

NOTE :

1. Use KOMATSU ZENOAH genuine parts as specified in the parts list for repair and/or replacement.
2. KOMATSU ZENOAH does not warrant the machines, which have been damaged by the use of any parts other than those specified by the company.
3. When placing parts orders for repair and/or replacement, check if the model name and the serial number are applicable to those specified in the parts list, then use parts number described in the parts list.
4. The contents described in the parts list are accurate as of the date and may change due to improvement.
5. The parts for the machine shall be supplied ten (10) years after the machine is discontinued. [It is possible that some specific parts may be subject to change of their delivery term and list price within the limit of ten (10) years after the machine is discontinued. It is also possible that some parts may be available even after the limit of ten (10) years.]

APPLICABLE SERIAL NUMBERS:

000101 and up

September 2000

Fig.1 DRIVE UNIT

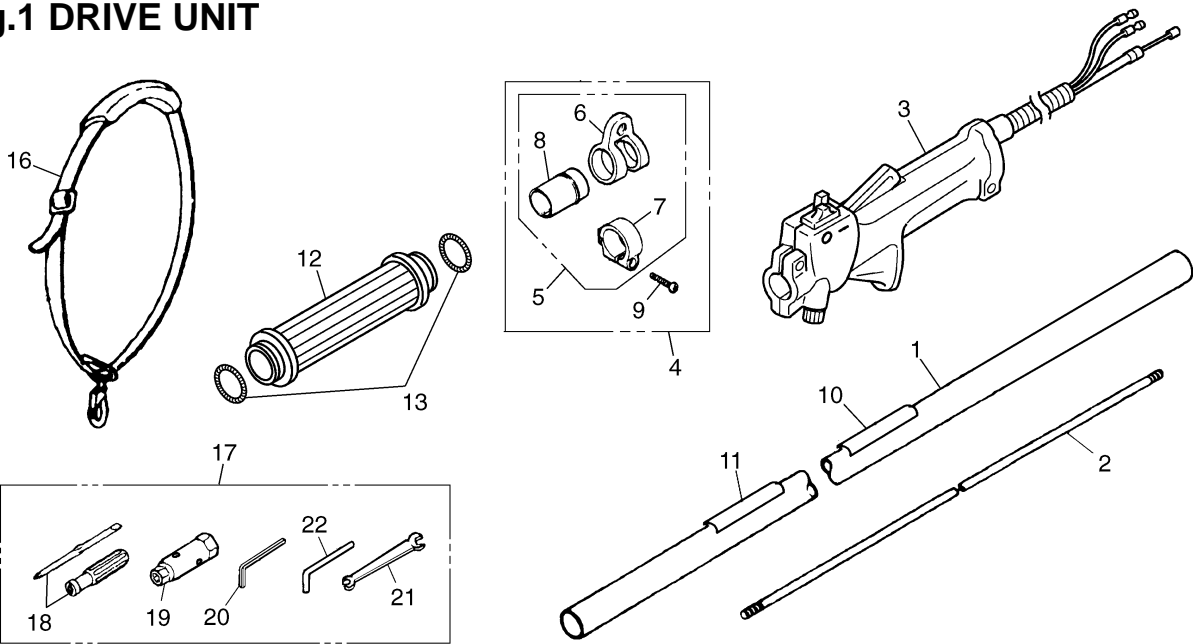


Fig.2 CUTTING UNIT

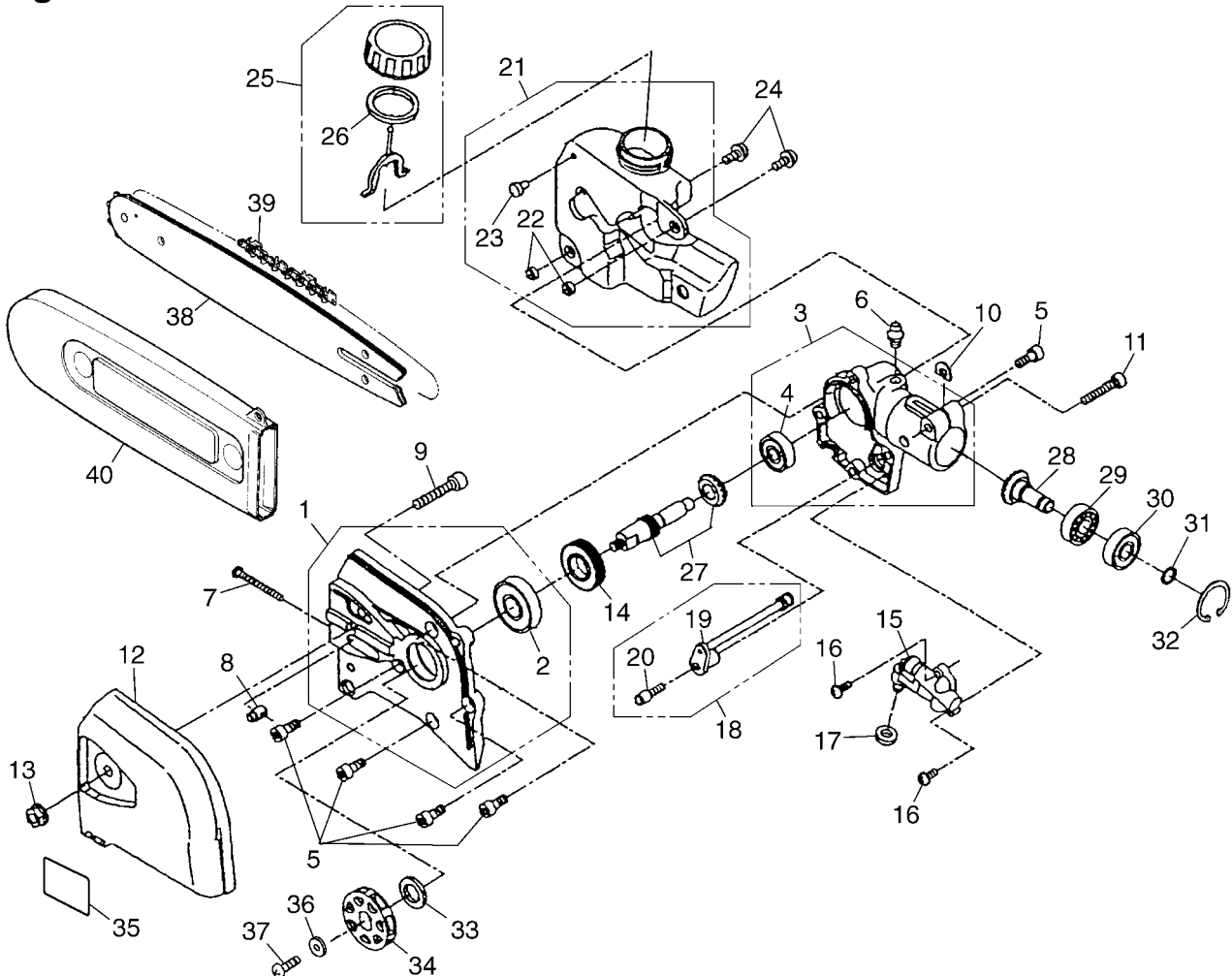


Fig.1 DRIVE UNIT

Key#	PART NUMBER	DESCRIPTION	Q'TY /UNIT	NOTE
1	T3002-12100	PIPE-COMP	1	
2	3520-12212	SHAFT	1	
3	T3101-11330	GRIP-ASS'Y	1	
4	6420-17300	HANGER-ASS'Y	1	
5	6420-17400	• HANGER-COMP	1	
6	9366-17110	•• HANGER	1	
7	9366-17120	•• CLAMP	1	
8	6420-17410	•• SLEEVE	1	
9	0263-90525	• SCREW	1	
10	T3101-12510	NAME-PLATE	1	
11	T3101-12550	CAUTION-PLATE	1	
12	6442-11332	GRIP	1	
13	6130-11341	SPRING	2	
16	6489-17200	STRAP-ASS'Y	1	
17	T3002-91000	TOOL-SET	1	
18	1030-91340	• DRIVER	1	
19	T3002-91310	• SOCKET	1	
20	09007-00425	• WRENCH	1	

Key#	PART NUMBER	DESCRIPTION	Q'TY /UNIT	NOTE
21	3540-91120	• SPANNER	1	
22	3540-91110	• BAR	1	

Fig.2 CUTTING UNIT

Key#	PART NUMBER	DESCRIPTION	Q'TY /UNIT	NOTE
1	T3073-13100	GEAR CASE (L)COMP	1	
2	06004-06001	• BEARING	1	
3	T3073-13200	GEAR CASE (R)COMP	1	
4	06002-00627	• BEARING	2	
5	01252-30512	BOLT	5	
6	3199-13350	FITTING	1	
7	T3073-13310	SCREW, tensioner	1	
8	T3073-13320	NUT, tensioner	1	
9	01252-30630	BOLT	1	
10	T3073-13250	SHIM	1	
11	3245-11350	BOLT	1	
12	T3073-13510	CHAIN COVER	1	
13	T3073-13520	NUT	1	
14	T3073-13560	WARM GEAR	1	
15	T3073-13550	OIL PUMP ASS'Y	1	
16	0263-30410	SCREW	2	
17	T3073-13580	GASKET	1	
18	T3073-13700	OIL PIPE ASS'Y	1	
19	T3073-13710	• OIL PIPE	1	
20	T3073-13720	• FILTER	1	
21	T3073-13800	OIL TANK ASS'Y	1	
22	T3073-13820	• COLLAR	2	
23	T3073-13830	• VALVE	1	
24	T3073-13860	SCREW	2	
25	T3073-13900	OIL CAP ASS'Y	1	
26	T3073-13920	• GASKET OIL CAP	1	
27	T3073-13370	GEAR SHAFT	1	
28	T3073-13380	BEVEL, pinion	1	
29	06000-00609	BEARING	1	
30	06002-00609	BEARING	1	
31	3210-13330	SNAP RING	1	
32	04065-02412	SNAP RING	1	
33	T3073-13530	COLLAR	1	
34	T3073-13540	SPROCKET	1	
35	T3073-13590	LABEL	1	
36	T3073-13350	WASHER	1	
37	T3073-13360	SCREW	1	

Key#	PART NUMBER	DESCRIPTION	Q'TY /UNIT	NOTE
38	T3101-52120	BAR 10"	1	
39	T3073-52220	CHAIN 90SG-J39E	1	
40	3622-52310	PROTECTOR	1	

Fig.3 ENGINE UNIT

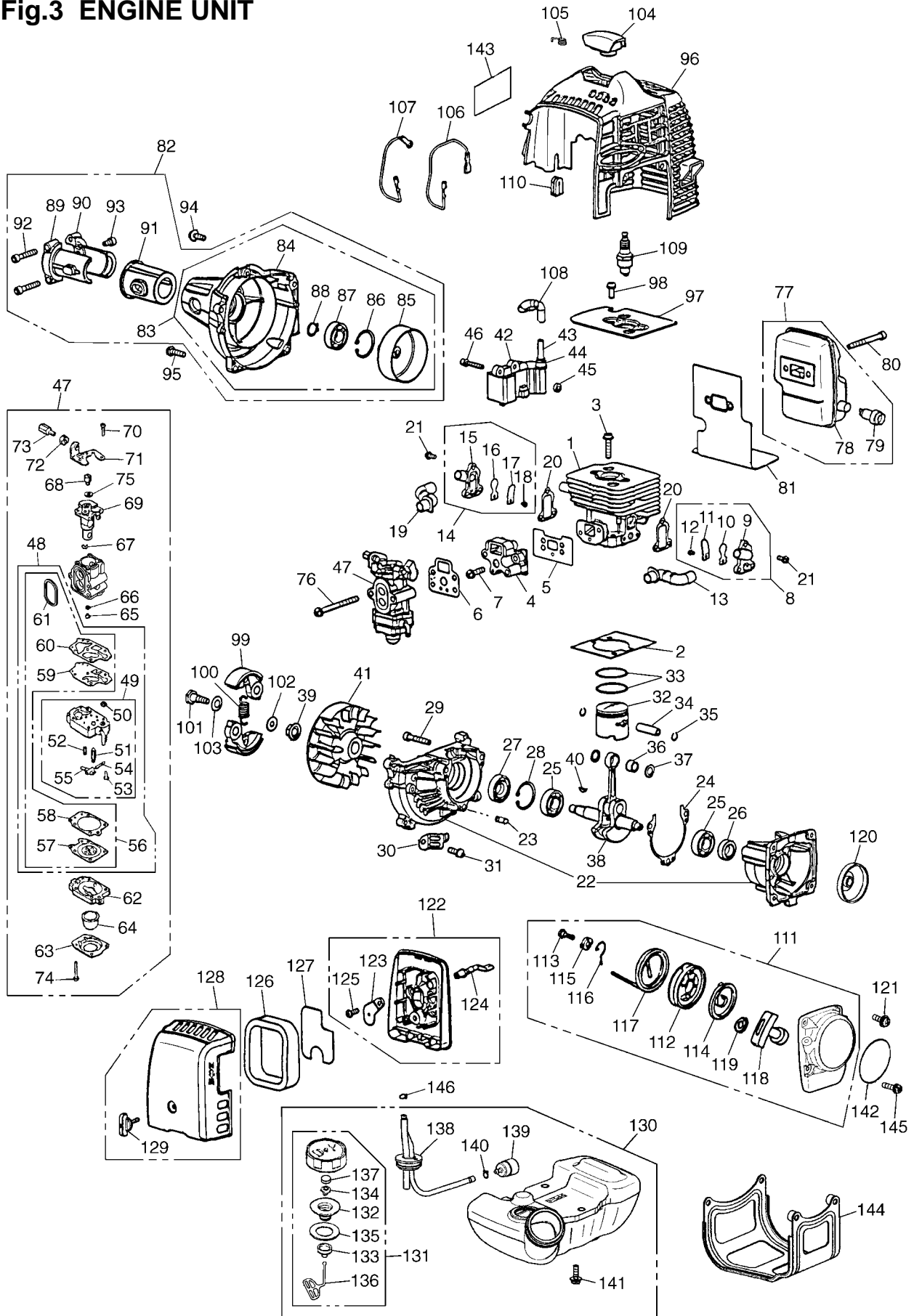


Fig.3 ENGINE UNIT

Key#	PART NUMBER	DESCRIPTION	Q'TY /UNIT	NOTE	Key#	PART NUMBER	DESCRIPTION	Q'TY /UNIT	NOTE
1	4810-12111	CYLINDER	1		74	1850-81530	• SCREW	4	
2	4810-12210	GASKET, base	1		75	5500-81160	• WASHER	1	
3	1850-12130	BOLT	2	M5x22	76	0263-90560	SCREW	2	M5x60
4	4810-13162	INSULATOR	1		77	4810-15100	MUFFLER ASS'Y	1	
5	4810-13120	GASKET, insulator	1		78	4810-15111	• MUFFLER	1	
6	4810-13130	GASKET, carburetor	1		79	4810-15140	• ARRESTER	1	
7	0263-90520	SCREW	2	M5x20	80	01252-30550	BOLT	2	M5x50
8	4810-16100	REEDVALVE (S)-A	1		81	4810-15410	GASKET	1	
9	4810-16110	• VALVECASE (S)	1		82	4810-31000	COVER-A	1	
10	4810-16120	• REEDVALVE	1		83	4810-31100	• COVER-C	1	
11	4810-16130	• STOPPER	1		84	4810-31110	•• COVER, fan	1	
12	4810-16170	• SCREW	1	M3x8	85	4810-31120	•• DRUM	1	
13	4810-16150	PIRE AIR (S)	1		86	04065-02812	•• SNAPRING	1	
14	4810-16200	REEDVALVE (F)-A	1		87	06004-06001	•• BEARING	1	
15	4810-16210	• VALVECASE (F)	1		88	04064-01210	•• SNAP RING	1	
16	4810-16120	• REEDVALVE	1		89	6470-31211	• BRACKET (A)	1	
17	4810-16130	• STOPPER	1		90	6470-31221	• BRACKET (B)	1	
18	4810-16170	• SCREW	1	M3x8	91	6470-31230	• CUSHION	1	
19	4810-16160	PIPE AIR (F)	1		92	01252-30530	• BOLT	2	M5x30
20	4810-16140	GASKET, valve	2		93	01252-30514	• BOLT	1	M5x14
21	4810-16180	SCREW	6		94	5500-85510	SCREW	1	M5x16
22	4810-21100	CRANKCASE-C	1		95	0263-90520	SCREW	4	M5x20
23	2629-21130	• PIN	3		96	4810-32111	COVER, engine	1	
24	4810-21140	GASKET	1		97	4810-12310	PLATE	1	
25	06030-06001	BEARING	2		98	0263-90510	SCREW	2	M5x10
26	4810-21210	SEAL	1		99	1140-51111	SHOE	2	
27	1850-21220	SEAL	1		100	1600-51223	SPRING	1	
28	04065-02812	SNAP RING	1		101	1140-51250	SCREW	2	
29	01252-30530	BOLT	3	M5x30	102	1140-51230	WASHER	2	
30	4810-22110	GUARD	1		103	1970-51241	WASHER	2	
31	0263-90510	SCREW	1	M5x10	104	4810-72110	CAP	1	
32	4810-41110	PISTON	1		105	1900-72120	SPRING	1	
33	5910-41210	RING	2		106	4810-71240	CORD	1	
34	1600-41310	PIN	1		107	4810-71250	CORD, earth	1	
35	1260-41320	RING	2		108	2850-71320	TUBE	1	
36	5500-41410	BEARING	1		109	4810-73110	PLUG	1	
37	1101-41340	WASHER	2		110	4810-72120	GROMMET	1	
38	4810-42000	CRANKSHAFT-C	1		111	4810-75100	RECOIL ASS'Y	1	
39	1650-43230	NUT	1		112	4500-75120	• REEL	1	
40	1000-43240	KEY	1		113	4500-75150	• SCREW	1	
41	5501-71110	ROTOR	1		114	1850-75130	• SPRING, spiral	1	
42	4810-71200	COIL-A	1		115	4500-75180	• COLLAR	1	
43	4810-71220	• CORD	1		116	4500-75190	• ARM	1	
44	2616-71320	• CAP	1		117	4810-75160	• ROPE	1	
45	1260-71261	SPACER	2		118	3330-75421	• KNOB	1	
46	4500-72150	BOLT	2	M4x22	119	4810-75170	• PLATE, stopper	1	
47	4810-81001	CARBURETOR ASS'Y	1		120	4500-75210	PULLEY	1	
48	4810-06030	• REBUILD KIT	1		121	5500-85510	SCREW	2	M5x16
49	4810-81450	•• BODY ASS'Y	1		122	4810-82100	BODY ASS'Y	1	
50	_____	••• SCREEN	-		123	4810-82130	• PLATE, choke	1	
51	_____	••• VALVE	-		124	5500-82140	• LEVER, choke	1	
52	_____	••• SPRING	-		125	2630-33610	• SCREW	1	
53	_____	••• SCREW	-		126	4810-82170	ELEMENT	1	
54	_____	••• PIN	-		127	4810-82180	SCREEN	1	
55	_____	••• LEVER	-		128	4810-82200	COVER ASS'Y	1	
56	4810-06020	•• GASKET KIT	1		129	5500-82221	• KNOB	1	
57	_____	••• DIAPHRAGM	-		130	T1504-85001	TANK ASS'Y	1	
58	_____	••• GASKET, diaphragm	-		131	T1015-85201	• CAP ASS'Y	1	
59	_____	••• DIAPHRAGM, pump	-		132	4500-85230	•• HOLDER	1	
60	_____	••• GASKET, pump	-		133	5600-85240	•• CAP	1	
61	4810-81130	••• RING	1		134	5600-85250	•• VALVE	1	
62	1850-81490	• BODY, purge	1		135	4500-85220	•• PACKING	1	
63	1850-81520	• COVER, pump	1		136	3317-57242	•• STOPPER	1	
64	1751-81510	• PUMP, priming	1		137	5601-85260	•• FILTER	1	
65	4810-81251	• JET	1		138	4810-85300	• PIPE COMP.	1	
66	1751-81240	• O-RING	1		139	5500-85400	• FILTER ASS'Y	1	
67	1751-81130	• RING	1		140	1260-85460	• CLIP	1	
68	1881-81140	• SWIVEL	1		141	5500-85510	SCREW	3	M5x16
69	_____	• VALVE ASS'Y	-		142	T1504-75410	LABEL, recoil	-	
70	1752-81110	• SCREW	2		143	T1504-31130	LABEL, cover	1	
71	5500-81120	• BRACKET	1		144	4810-31911	GUARD	1	
72	1751-81180	• NUT, adjuster	1		145	0263-90525	SCREW	2	
73	1918-81170	• SCREW, adjuster	1		146	1950-86120	CLIP	1	