



# PARTS LIST

## BRUSHCUTTERS

# BC2310DL

**NOTE :**

1. Use KOMATSU ZENOAH genuine parts specified in the parts list for repair and/or replacement.
2. KOMATSU ZENOAH does not warrant the machines, those which have been damaged by the use of any parts other than those specified by the company.
3. When placing orders of parts for repair and/or replacement, check if the model name and the serial number are suitable to those specified in the parts list, then use parts number described in the parts list.
4. The contents described in the parts list may change due to improvement.
5. The parts for the machine shall be supplied within ten (10) years after the machine is discontinued.  
[It is possible that some specific parts may be subject to change of their delivery term and list price within the limit of ten (10) years after the machine is discontinued. And it is also possible that some parts may be available even after the limit of ten (10) years.]

Fig.1 CUTTER GROUP

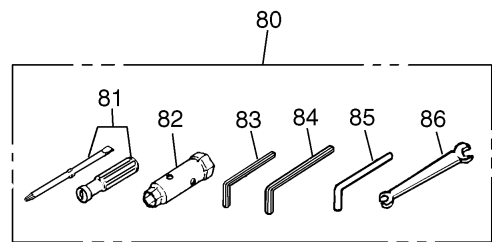
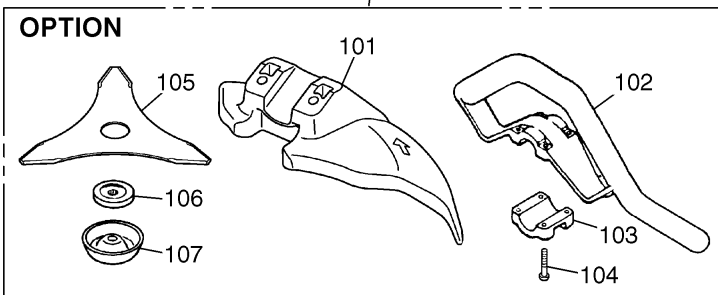
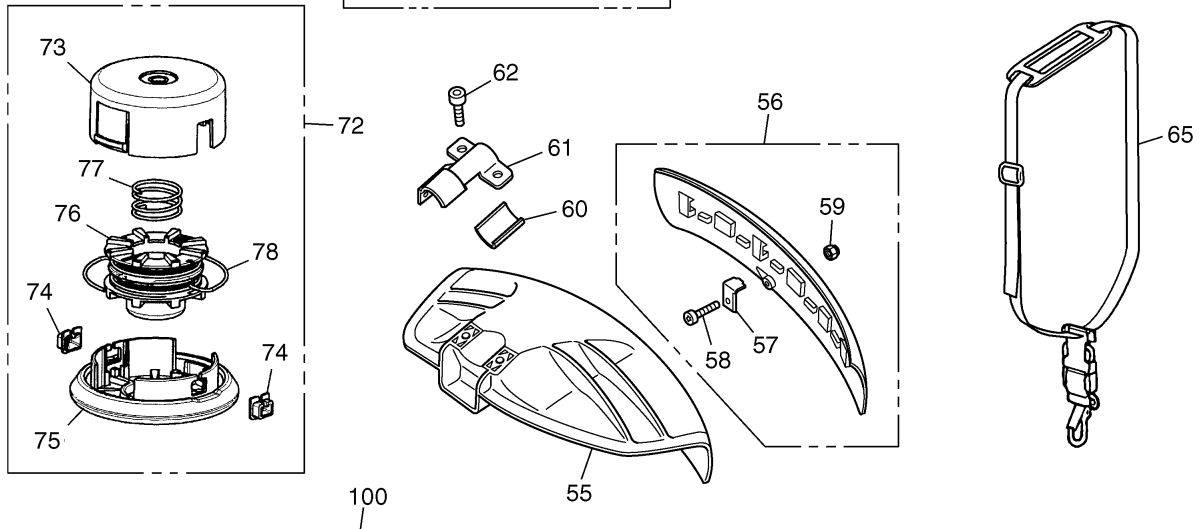
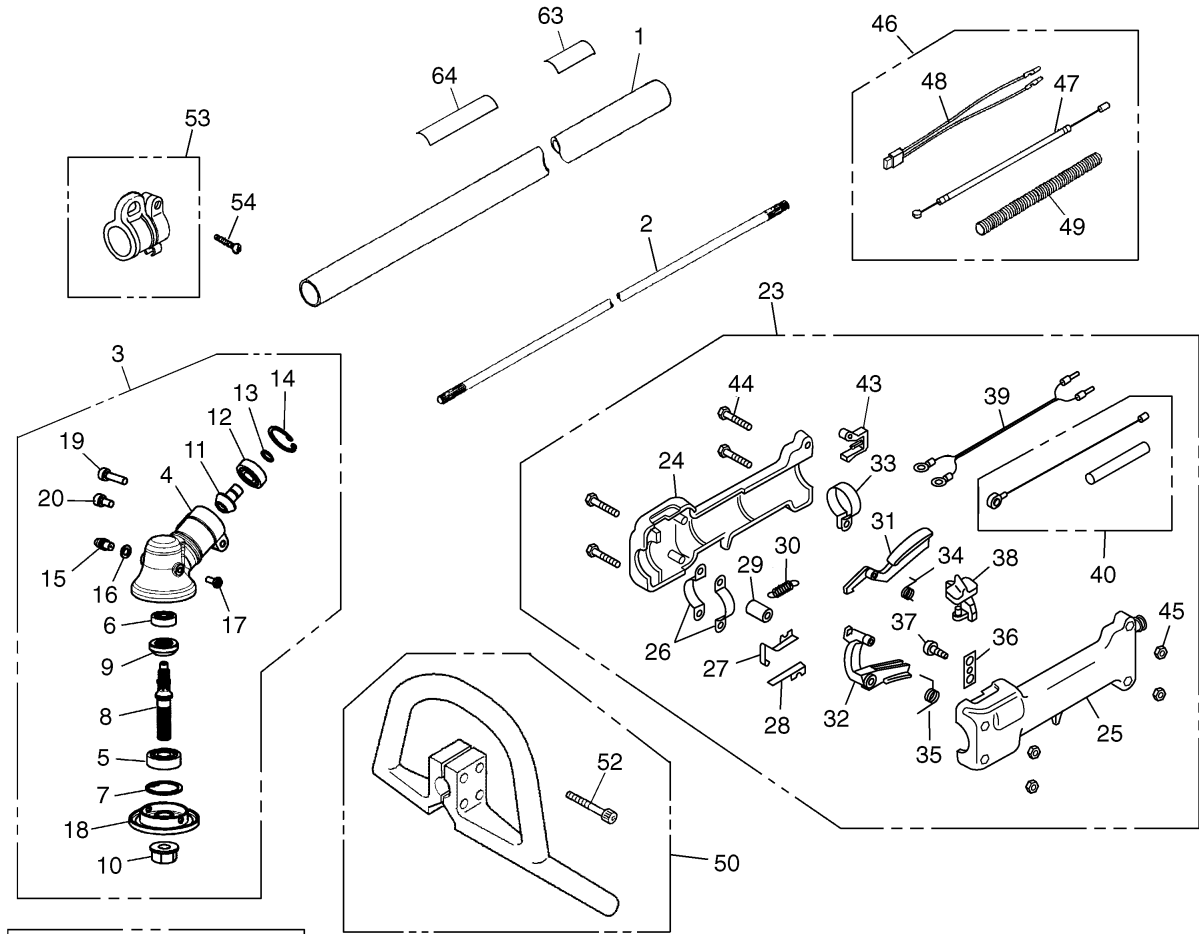


Fig.1 CUTTER GROUP

Key#	PART NUMBER	DESCRIPTION	Q'TY /UNIT	NOTE	Key#	PART NUMBER	DESCRIPTION	Q'TY /UNIT	NOTE
1	848B5F5821	PIPE COMP.	1						
2	3520-12213	SHAFT	1		53	T3300-17202	HANGER COMP	1	
3	T3338-13000	GEARCASE ASSY	1		54	0263-90520	SCREW	1	
4	848B2062A0	• GEARCASE	1		55	848JL066A4	GUARD	1	
5	06004-06000	• BEARING	1		56	848JL06634	GUARD ASSY	1	
6	06000-00626	• BEARING	1		57	848JL066B2	• BLADE	1	
7	04065-02612	• RING	1		58	4820-72150	• BOLT TORX	1	M4x16
8	T3195-13210	• SHAFT	1		59	3238-13150	• NUT	1	M4
9	T3300-93250	• GEAR	1		60	3550-14170	SPACER	1	
10	T3002-13260	• NUT	1		61	T3338-24120	CLAMP	1	
11	T3195-13310	• PINION	1		62	01252-30630	BOLT	2	
12	06001-00609	• BEARING	1		63	848J9890R0	PLATE, name	1	
13	3210-13330	• RING	1		64	6425-12552	PLATE, caution	1	
14	04065-02412	• RING	1		65	T3300-17100	HARNES ASSY	1	
15	3199-13350	• FITTING	1						
16	01641-20608	• WASHER	1		72	T3189-15102	TAP HEAD COMP.	1	
17	0225-00410	• BOLT	1		73	T3189-15112	• CASE	1	
18	T3300-91340	• HOLDER (A)	1		74	T3189-15191	• EYELET	2	
19	01252-30520	• BOLT	1		75	T3189-15132	• COVER	1	
20	01252-30512	• BOLT	1		76	T3189-15142	• CORD HOLDER	1	
					77	T3189-15160	• SPRING	1	
23	T3110-18000	GRIP ASSY	1	ø24	78	T3189-15180	• CORD	1	
24	K2300-000240	• GRIP (R)	1						
25	K2300-000230	• GRIP (L)	1		80	3542-91000	TOOL SET	1	
26	K3200-000370	• CLAMP (A)	2		81	1030-91340	• DRIVER	1	
27	K3300-000010	• PLATE (A)	1		82	3144-91160	• SOCKET	1	
28	K3300-000020	• PLATE (B)	1		83	09007-00425	• WRENCH	1	
29	K5100-000240	• COLLAR	1		84	09007-00528	• WRENCH	1	
30	K5100-000220	• SPRING	1		85	3540-91110	• BAR	1	
31	K2300-000260	• SAFETY LEVER	1		86	3540-91120	• SPANNER	1	
32	K2300-000250	• THROTTLE LEVER	1						
33	K3200-000380	• CLAMP(B)	1		100	BC00A21	BLADE KIT	1	OP
34	K5100-000230	• SPRING	1		101	T3246-24110	• Guard (for Metal Blade)	1	OP
35	K5100-000210	• SPRING	1		102	6489-14300	• Handle comp. (with Barrier)	1	OP
36	K2300-000270	• PLATE	1		103	6420-14320	• Clamp	1	OP
37	B1122-C2910H	• SCREW	1	M3x10	104	0263-90535	• Screw	4	OP
38	K2300-000280	• SWITCH	1		105	8488Z23010	• Blade (ø250x1.8mm 3Teeth Blade)	1	OP
39	K5200-000090	• CORD	1		106	6423-13250	• Holder (B)	1	OP
40	K5100-000270	• CABLE COMP	1		107	3540-13283	• Cover (ø10mm Center Hole)	1	OP
43	K2300-000390	• LID	1						
44	B1176-090530	• BOLT	4						
45	B1181-04054506	• NUT	4						
46	5548-83000	CABLE ASSY	1						
47	5548-83100	• CABLE COMP.	1						
48	5548-73200	• CORD COMP.	1						
49	5548-73310	• TUBE	1						
50	T3110-14000	HANDLE ASSY	1						
52	0263-90530	• SCREW	4						

Fig.2 ENGINE GROUP

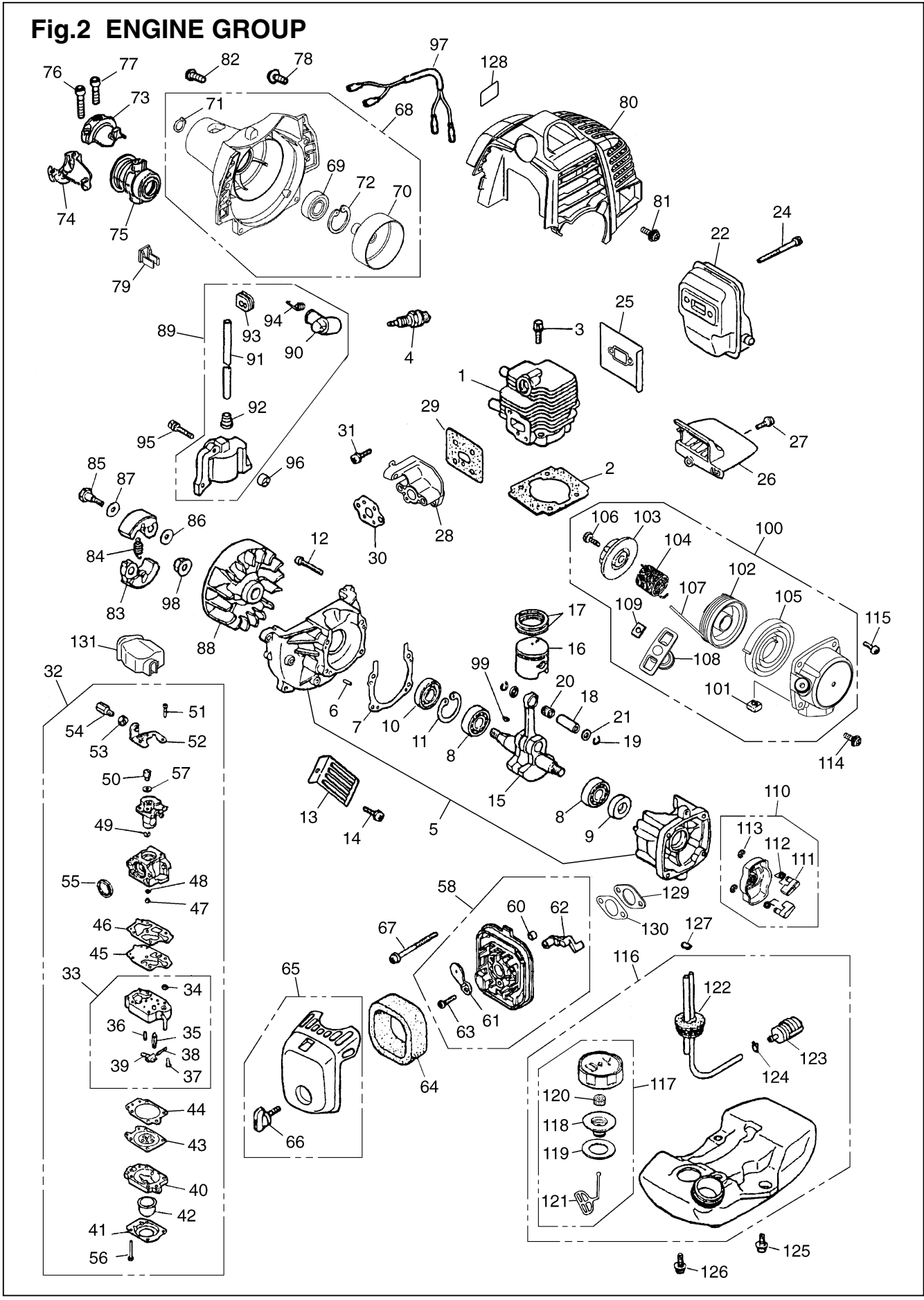


Fig.2 ENGINE GROUP

Key#	PART NUMBER	DESCRIPTION	Q'TY /UNIT	NOTE	Key#	PART NUMBER	DESCRIPTION	Q'TY /UNIT	NOTE
1	5580-12110	CYLINDER	1		67	0263-90560	SCREW	2	
2	5500-12213	GASKET, base	1		68	T1702-31101	HOUSING ASS'Y	1	
3	1850-12130	BOLT	2		69	T1701-31150	• BEARING	1	
4	3699-90332	PLUG BPMR7A	1		70	848F3051A1	• DRUM	1	
5	5500-21100	CRANKCASE COMP.	1		71	04064-01210	• RING	1	ø12
6	2629-21130	• PIN	3		72	04065-02812	• RING	1	ø28
7	5500-21141	GASKET	1		73	T1700-31212	BRACKET (A)	1	
8	06030-06001	BEARING	2		74	T1700-31221	BRACKET (B)	1	
9	2169-21210	SEAL	1		75	T1700-31232	CUSHION	1	
10	1850-21220	SEAL	1		76	01252-30522	BOLT	2	
11	04065-02812	SNAP RING	1		77	01252-30510	BOLT	1	
12	01252-30530	BOLT	3		78	0263-90520	SCREW	4	
13	5500-22110	GUARD	1		79	T1600-72210	CLAMP	1	
14	0263-90514	SCREW	1		80	T1700-32111	COVER, engine	1	
15	5500-42001	CRANKSHAFT COMP.	1		81	T1700-32162	SCREW	1	
16	5600-41111	PISTON	1		82	0263-90514	SCREW	1	
17	1100-41210	RING	2		83	T1700-51110	SHOE	2	
18	1101-41310	PIN	1		84	T1700-51220	SPRING	1	
19	1260-41320	RING	2		85	1140-51250	SCREW	2	
20	5500-41410	BEARING	1		86	1140-51230	WASHER	2	
21	1101-41340	WASHER	2		87	1970-51241	WASHER	2	
22	T1700-15110	MUFFLER	1		88	T1700-71110	ROTOR	1	
					89	T1700-71201	COIL ASS'Y	1	
24	01252-30550	BOLT	2		90	5500-72110	• CAP	1	
25	T1600-15210	GASKET	1		91	T1700-71220	• CORD	1	
26	5500-15221	PLATE	1		92	2616-71320	• CAP	1	
27	0263-90416	SCREW	1		93	5500-72130	• GROMMET	1	
28	T1700-13160	INSULATOR	1		94	5500-72120	• SPRING	1	
29	5500-13121	GASKET, insulator	1		95	3310-72150	BOLT	2	
30	5500-13131	GASKET, carburetor	1		96	T1700-71260	SPACER	2	
31	0263-90520	SCREW	2		97	T1700-73200	CORD COMP.	1	
32	5501-81000	CARBURETOR ASS'Y	1		98	1650-43230	NUT	1	
33	1850-81450	• BODY ASS'Y	1		99	1000-43240	KEY	1	
34	3306-81380	•• SCREEN	1		100	848EAX7510	RECOIL ASS'Y	1	
35	3356-81310	•• VALVE	1		101	550075110-02	• NUT	1	
36	1850-81270	•• SPRING	1		102	848E4075C0	• REEL	1	
37	1850-81220	•• SCREW	1		103	848E4075D0	• CAM PLATE	1	
38	3310-81250	•• PIN	1		104	848E4075G0	• DUMPER SPRING	1	
39	3310-81230	•• LEVER	1		105	1850-75130	• SPRING, spiral	1	
40	1850-81490	• BODY, purge	1		106	848E4075E0	• SCREW	1	
41	1850-81520	• COVER, pump	1		107	848E4075F0	• ROPE	1	
42	1751-81510	• PUMP, priming	1		108	1140-75320	• KNOB	1	
43	3310-81260	• DIAPHRAGM	1		109	5500-75170	• PLATE, stopper	1	
44	1850-81470	• GASKET, diaphragm	1		110	848EAX7520	PULLEY ASS'Y	1	
45	1065-81420	• DIAPHRAGM, pump	1		111	848E4075R0	• RATCHET	1	
46	1065-81410	• GASKET, pump	1		112	848E4075S0	• SPRING	1	
47	5500-81251	• JET	1		113	848E4075T0	• E-RING	1	
48	1751-81240	• RING	1		114	T1700-32162	• SCREW	1	M4xL16
49	1751-81130	• RING	1		115	T1700-32162	SCREW	4	
50	1881-81140	• SWIVEL	1		116	T1700-85001	TANK ASS'Y	1	
51	1752-81110	• SCREW	2		117	5607-85201	• CAP ASS'Y	1	
52	5500-81120	• BRACKET	1		118	5601-85300	•• HOLDER ASS'Y	1	
53	1751-81180	• NUT, adjuster	1		119	5500-85220	•• PACKING	1	
54	1918-81170	• SCREW, adjuster	1		120	5601-85260	•• FILTER	1	
55	1881-81130	• RING	1		121	4820-85260	•• STOPPER	1	
56	1850-81530	• SCREW	4		122	5500-85300	• PIPE COMP.	1	
57	5500-81160	• WASHER	1		123	5500-85400	• FILTER ASS'Y	1	
58	T1700-82100	BODY-ASSY	1		124	1260-85460	• CLIP	1	
					125	5910-85510	SCREW	1	
60	1970-82190	• SLEEVE	2		126	5500-85510	SCREW	2	
61	T1700-82130	• PLATE, choke	1		127	1950-86120	CLIP	1	
62	T1700-82140	• LEVER, choke	1		128	T1807-31130	LABEL	1	
63	2630-33610	• SCREW	1		129	T1825-82510	PLATE	1	
64	5500-82171	ELEMENT	1		130	T1825-82520	GASKET	1	
65	T1701-82200	COVER ASS'Y	1		131	4500-81910	COVER	1	
66	5500-82221	• KNOB	1						



# **KOMATSU ZENOA CO.**

1-9 Minamidai, Kawagoe, Saitama, 350-1192 Japan

---

PRINTED IN JAPAN

PRINTED ON RECYCLED PAPER  
IMPRIMÉ SUR PAPIER RECYCLÉ  
GEDRUCKT AUF RECYCLING PAPIER  
STAMPATO SU CARTA RICICLATA  
IMPRESO EN PAPEL RECICLADO