



PARTS LIST

BRUSHCUTTERS

BCZ4000DL
BCZ4000DW
BCZ4200CL

NOTE :

1. Use KOMATSU ZENOAH genuine parts as specified in the parts list for repair and/or replacement.
2. KOMATSU ZENOAH does not warrant the machines, which have been damaged by the use of any parts other than those specified by the company.
3. When placing parts orders for repair and/or replacement, check if the model name and the serial number are applicable to those specified in the parts list, then use parts number described in the parts list.
4. The contents described in the parts list are accurate as of the date and may change due to improvement.
5. The parts for the machine shall be supplied ten (10) years after the machine is discontinued. [It is possible that some specific parts may be subject to change of their delivery term and list price within the limit of ten (10) years after the machine is discontinued. It is also possible that some parts may be available even after the limit of ten (10) years.]

September 2006

APPLICABLE SERIAL NUMBERS:

BCZ4000DL :	DRIVE UNIT 60900101 and up	ENGINE UNIT 60900101 and up
BCZ4000DW :	DRIVE UNIT 60900101 and up	ENGINE UNIT 60900101 and up
BCZ4200CL :	DRIVE UNIT 60900101 and up	ENGINE UNIT 60900101 and up

Fig.1 CUTTER GROUP

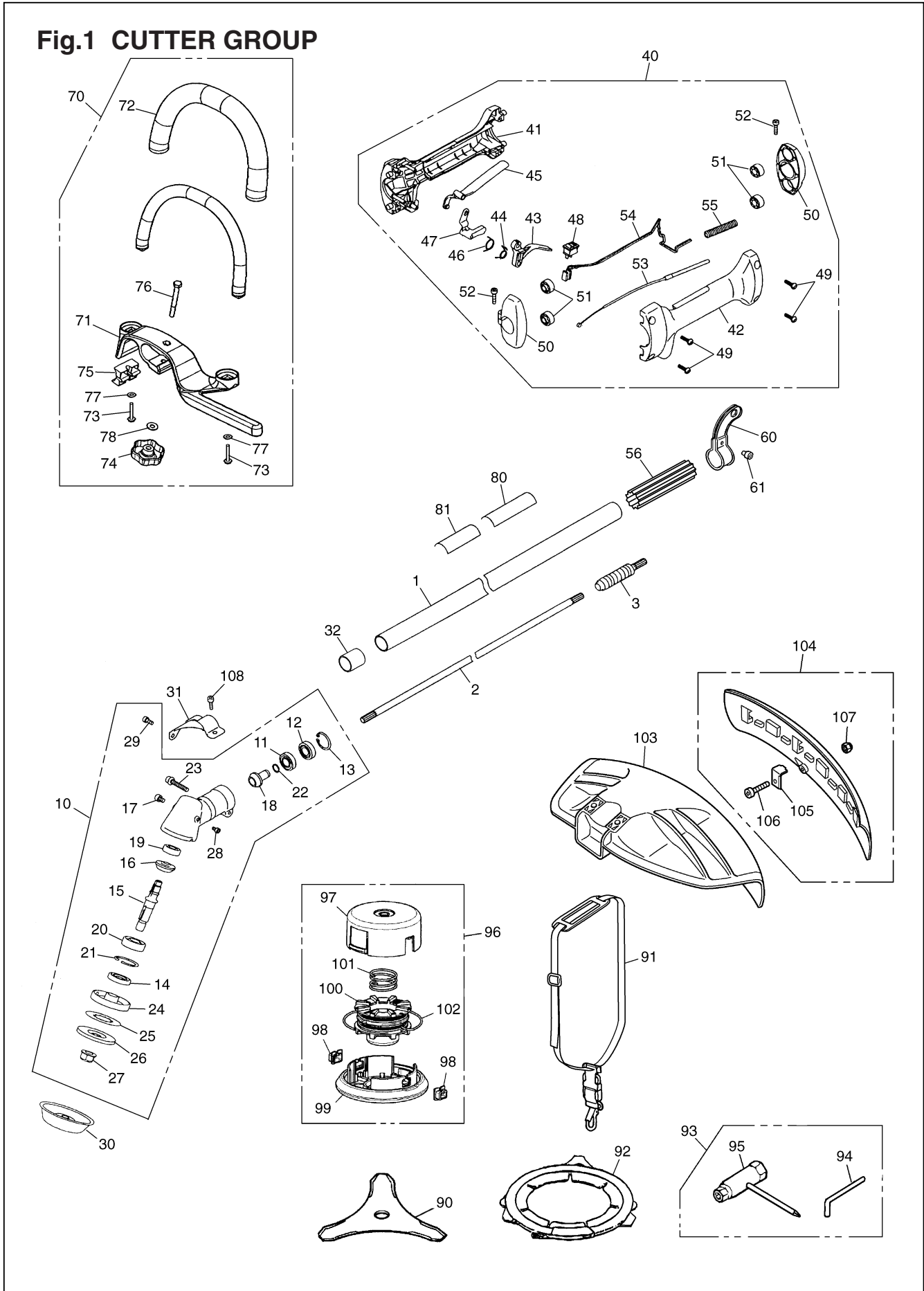


Fig.1 CUTTER GROUP

Key#	PART NUMBER	DESCRIPTION	Q'TY /UNIT	NOTE	Key#	PART NUMBER	DESCRIPTION	Q'TY /UNIT	NOTE
1	848JG05820	PIPE COMP. 1500x26xT1.5	1		73	T4970-52510	• SCREW TP5xL25 T27	2	
2	848JG058E1	SHAFT 1470x8,Spline ø8x9 tooth	1		74	T3541-14341	• GRIP	1	
3	848JG05831	JOINT COMP.	1		75	848JG132L0	• SPACER	1	
10	848JG06100	GEAR CASE ASSY	1		76	0224-00655	• BOLT	1	
11	06000-06000	• BEARING	1		77	01641-20608	• WASHER	2	
12	06001-06000	• BEARING	1		78	3238-15230	• WASHER	1	
13	04065-02612	• RING	1		80	848JG090R0	PLATE, NAME	1	
14	8488AJ2800	• SEAL	1		81	8488X10020	PLATE	1	
15	848JG061B2	• SHAFT	1		90	6298-E3390	BLADE 250-3T	1	
16	848JG061C1	• GEAR	1		91	848J663611	STRAP ASSY	1	
17	T4950-60800	• BOLT TORX M6xL8 T27	1		92	848JL092B1	COVER BLADE	1	
18	848JG061D2	• PINION	1		93	8488U00120	TOOL SET	1	
19	06000-00609	• BEARING	1		94	3540-91110	• BAR	1	
20	06001-06001	• BEARING	1		95	8488U10040	• SOCKET	1	
21	04065-02812	• RING	1		96	848JG06911	TAP HEAD ASSY	1	
22	04064-01010	• RING	1		97	-	• CASE	1	
23	T4950-63540	• BOLT TORX M6xL35 T27	1		98	T3189-15191	• EYELET	2	
24	848JG061F1	• HOLDER (A)	1		99	848JL069N0	• COVER	1	
25	848JG061L0	• PLATE	1		100	T3189-15142	• CORD HOLDER	1	
26	848JG061G1	• HOLDER (B)	1		101	T3189-15160	• SPRING	1	
27	T3002-13260	• NUT M10xP1.25 LH	1		102	848BU369S0	• CORD	1	
28	T4950-40800	• BOLT TORX M4xL8 T27	1		103	848JL066A4	GUARD	1	
29	T1501-32120	• BOLT TORX M5xL14 T27	1		104	848JL06634	GUARD ASSY	1	
30	848JG061J1	COVER	1		105	848JL066B2	• BLADE	1	
31	848JG066C0	BRACKET	1		106	4820-72150	• BOLT TORX M5xL14 T27	1	
32	848JG066D0	SPACER	1		107	3238-13150	• NUT	1	
40	8488R40461	GRIP ASSY	1		108	T4950-63040	BOLT TORX M6xL30 T27	2	
41	848JL233A5	• BODY-R	1						
42	848JL233B5	• BODY-L	1						
43	848JL233C6	• LEVER	1						
44	848JL233D3	• SPRING	1						
45	848JL233E2	• LEVER-S	1						
46	848JL233F3	• SPRING	1						
47	846JL233G2	• LEVER	1						
48	T4506-52110	• SWITCH	1						
49	8488251601	• SCREW TP5xL16 T27	4						
50	8488RB0081	• HOLDER	2						
51	8488RH0460	• ABSORBER	4						
52	4820-13180	• BOLT TORX M5xL20 T27	2						
53	8488P40370	• CABLE COMP.	1						
54	8488M10560	• CORD COMP.	2						
55	8488H20701	• TUBE	1						
56	8488YT1301	SPACER	1						
60	848JG138B1	HANGER	1						
61	T4950-61431	BOLT TORX M6xL14 T27	1						
70	848JG13210	HANDLE ASSY	1						
71	848JG132B1	• BODY	1						
72	848BC032J0	• GRIP	1						

Fig.2 CUTTER GROUP

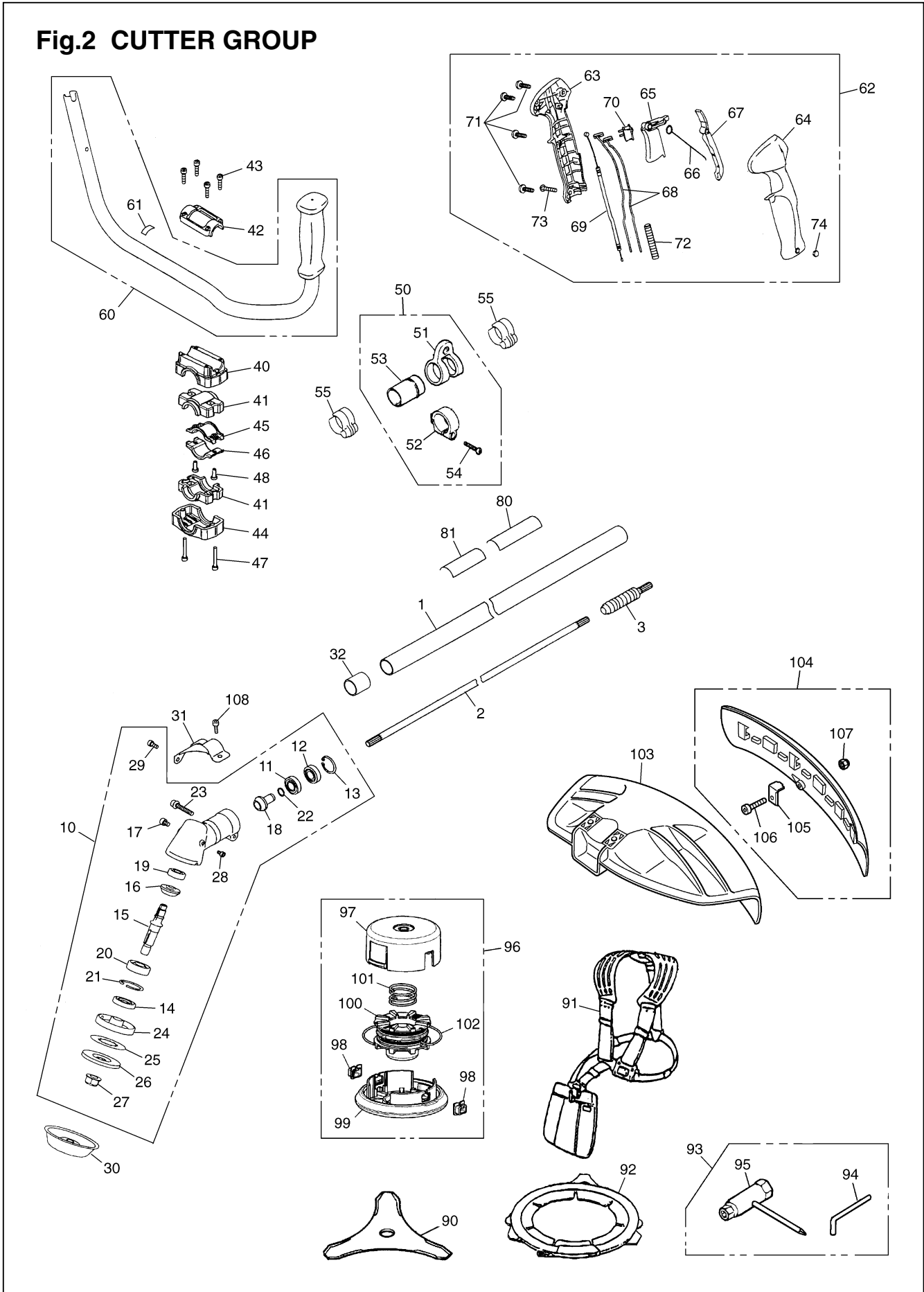


Fig.2 CUTTER GROUP

Key#	PART NUMBER	DESCRIPTION	Q'TY /UNIT	NOTE	Key#	PART NUMBER	DESCRIPTION	Q'TY /UNIT	NOTE
1	848JG05820	PIPE COMP. 1500x26xT1.5	1		67	848JL033E3	• LEVER-S	1	
2	848JG058E1	SHAFT 1470x8,Spline ø8x9 tooth	1		68	8488M10441	• CORD COMP.	2	
3	848JG05831	JOINT COMP.	1		69	8488P00310	• CABLE COMP.	1	
10	848JG06100	GEAR CASE ASSY	1		70	T4506-52110	• SWITCH	1	
11	06000-06000	• BEARING	1		71	8488241600	• SCREW TP4xL16 T27	4	
12	06001-06000	• BEARING	1		72	8488H15901	• TUBE	1	
13	04065-02612	• RING	1		73	T4960-53010	• SCREW M5xL30 T27	1	
14	8488AJ2800	• SEAL	1		74	3320-15310	• NUT	1	
15	848JG061B2	• SHAFT	1		80	848JG090R0	PLATE, NAME	1	
16	848JG061C1	• GEAR	1		81	8488X10020	PLATE	1	
17	T4950-60800	• BOLT TORX M6xL8 T27	1		90	6298-E3390	BLADE 250-3T	1	
18	848JG061D2	• PINION	1		91	6220-17202	HARNESS ASSY	1	
19	06000-00609	• BEARING	1		92	848JL092B1	COVER, BLADE	1	
20	06001-06001	• BEARING	1		93	8488U00120	TOOL SET	1	
21	04065-02812	• RING	1		94	3540-91110	• BAR	1	
22	04064-01010	• RING	1		95	8488U10040	• SOCKET	1	
23	T4950-63540	• BOLT TORX	1		96	848JG06911	TAP HEAD ASSY	1	
24	848JG061F1	• HOLDER (A)	1		97	-	• CASE	1	
25	848JG061L0	• PLATE	1		98	T3189-15191	• EYELET	2	
26	848JG061G1	• HOLDER (B)	1		99	848JL069N0	• COVER	1	
27	T3002-13260	• NUT M10xP1.25-LH	1		100	T3189-15142	• CORD HOLDER	1	
28	T4950-40800	• BOLT TORX M4xL8 T27	1		101	T3189-15160	• SPRING	1	
29	T1501-32120	• BOLT TORX M5xL14 T27	1		102	848BU369S0	• CORD	1	
30	848JG061J1	COVER	1		103	848JL066A4	GUARD	1	
31	848JG066C0	BRACKET	1		104	848JL066B3	GUARD ASSY	1	
32	848JG066D0	SPACER	1		105	848JL066B2	• BLADE	1	
40	848JG032Z0	BRACKET	1		106	4820-72150	• BOLT TORX M5xL14 T27	1	
41	4050-14140	ABSORBER	2		107	3238-13150	• NUT	1	
42	848JL132K1	BRACKET-UP	1		108	T4950-63040	BOLT TORX M6xL30 T27	2	
43	T4950-52500	BOLT TORX M5xL25 T27	4						
44	4050-14121	CAP-L	1						
45	4050-14150	CLAMP (A)	1						
46	4050-14160	CLAMP (B)	1						
47	8488153500	BOLT TORX M5xL35 T27	2						
48	8488151400	BOLT TORX M5xL14 T27	2						
50	848JG03810	HANGER ASSY	1						
51	6520-17110	• HANGER	1						
52	6520-17120	• CLAMP	1						
53	6520-17130	• SPACER	1						
54	T4950-52540	• BOLT TORX M5xL25 T27	1						
55	848JG032L1	CLAMP	2						
60	848JL03213	HANDLE COMP.	1						
61	3553-11550	• LABEL	1						
62	8488R40410	GRIP ASSY	1						
63	848JL033A3	• BODY-R	1						
64	848JL033B4	• BODY-L	1						
65	848JL033C3	• LEVER	1						
66	848JL033D2	• SPRING	1						

Fig.3 CUTTER GROUP

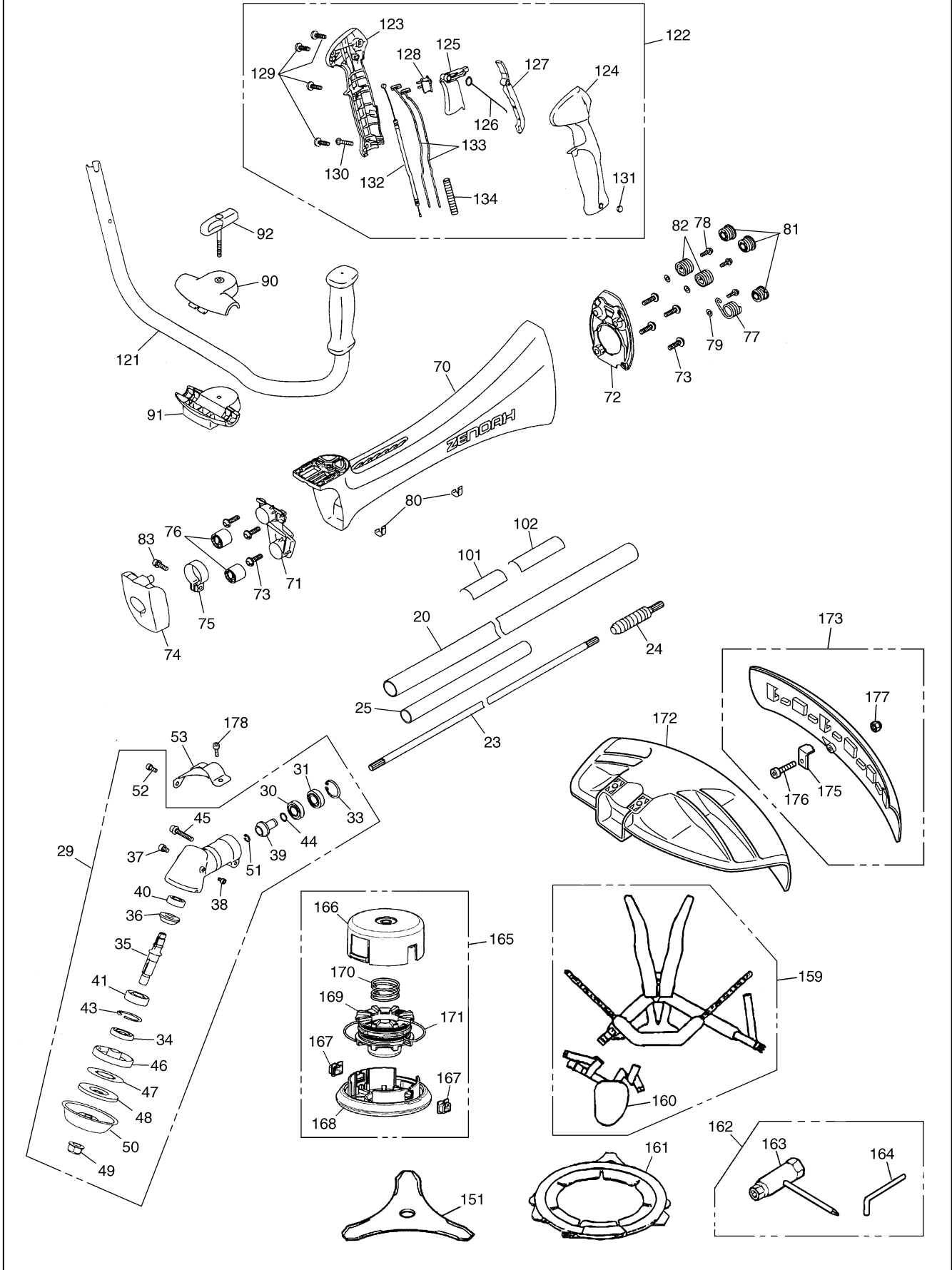


Fig.3 CUTTER GROUP

Key#	PART NUMBER	DESCRIPTION	Q'TY /UNIT	NOTE	Key#	PART NUMBER	DESCRIPTION	Q'TY /UNIT	NOTE
20	848JL05823	PIPE COMP.	1		124	848JL033B4	•BODY-L	1	
					125	848JL033C3	•LEVER	1	
23	848JL058E1	SHAFT	1		126	848JL033D2	•SPRING	1	
24	848JL05832	JOINT COMP.	1		127	848JL033E3	•LEVER-S	1	
25	848JL058F0	SLEEVE	1		128	T4506-52110	•SWITCH	1	
29	848JL06100	GEAR CASE ASSY	1		129	8488241600	•SCREW	4	
30	06000-06001	•BEARING	1		130	T4960-53010	•SCREW TORX	1	
31	06001-06001	•BEARING	1		131	3320-15310	•NUT	1	
					132	8488P00111	•CABLE COMP.	1	
33	04065-02812	•RING	1		133	8488M10060	•CORD COMP.	2	
34	8488AL3500	•SEAL	1		134	8488H27501	•TUBE	1	
35	848JL061B4	•SHAFT	1		151	848JL092A2	BLADE	1	
36	848JL061C2	•GEAR	1						
37	T4950-60800	•BOLT TORX	1		159	848JL03611	HARNESS ASSY	1	
38	T4950-40800	•BOLT TORX	1		160	848JL036F0	•HIP PAD ASSY	1	
39	848JL061D3	•PINION	1		161	848JL092B1	COVER BLADE	1	
40	06000-06000	•BEARING	1		162	8488U00001	TOOL SET	1	
41	06004-06202	•BEARING	1		163	T4017-91130	•SOCKET	1	
					164	3540-91110	•BAR	1	
43	04065-03515	•RING, SNAP	1		165	BC00A29	TAP HEAD ASSY	1	ACC.
44	3130-13270	•RING	1		166	-	•CASE	1	
45	T4950-63540	•BOLT TORX	1		167	T3189-15191	•EYELET	2	
46	848JL061F3	•HOLDER (A)	1		168	848JL069N0	•COVER	1	
47	848JL061L2	•PLATE	1		169	T3189-15142	•CORD HOLDER	1	
48	848JL061G2	•HOLDER (B)	1		170	T3189-15160	•SPRING	1	
49	848JL061K1	•NUT M12xP1.25	1		171	848BU369S0	•CORD	1	
50	848JL061J3	•COVER	1		172	848JL066A4	GUARD	1	
51	04065-01110	•SNAP RING	1		173	848JL06634	GUARD ASSY	1	
52	T1501-32120	•BOLT TORX M5xL12 T27	1						
53	848JL066C2	PLATE	1		175	848JL066B2	•BLADE	1	
					176	4820-72150	•BOLT TORX M4xL16 T27	1	
70	848JL031A3	FRAME	1		177	3238-13150	•NUT	1	
71	848JL031E2	BRACKET-F	1		178	T4950-63040	BOLT TORX	2	
72	848JL031F3	BRACKET-L	1						
73	8488251601	SCREW TP5(P-tight)xL16 T27	7						
74	848JL031B3	HOLDER	1						
75	848JL031C2	BAND	1						
76	848JL031J3	ABSORBER	2						
77	848JL031N3	SPRING	1						
78	4820-85510	BOLT TORX M5xL16 T27	3						
79	01642-20508	WASHER	3						
80	848JL032L2	CLAMP	2						
81	848JL031K3	ABSORBER	3						
82	848JL031P3	SPRING	2						
83	T4950-62040	BOLT TORX	1						
90	848JL032C2	BRACKET-UP	1						
91	848JL032D2	BRACKET-LO	1						
92	848JL032G2	KNOB	1						
101	8488X10020	PLATE	1						
102	848JG290R0	PLATE NAME	1						
121	848JL03213	HANDLE COMP.	1						
122	848JL03313	GRIP ASSY	1						
123	848JL033A3	•BODY-R	1						

Fig.4 ENGINE GROUP

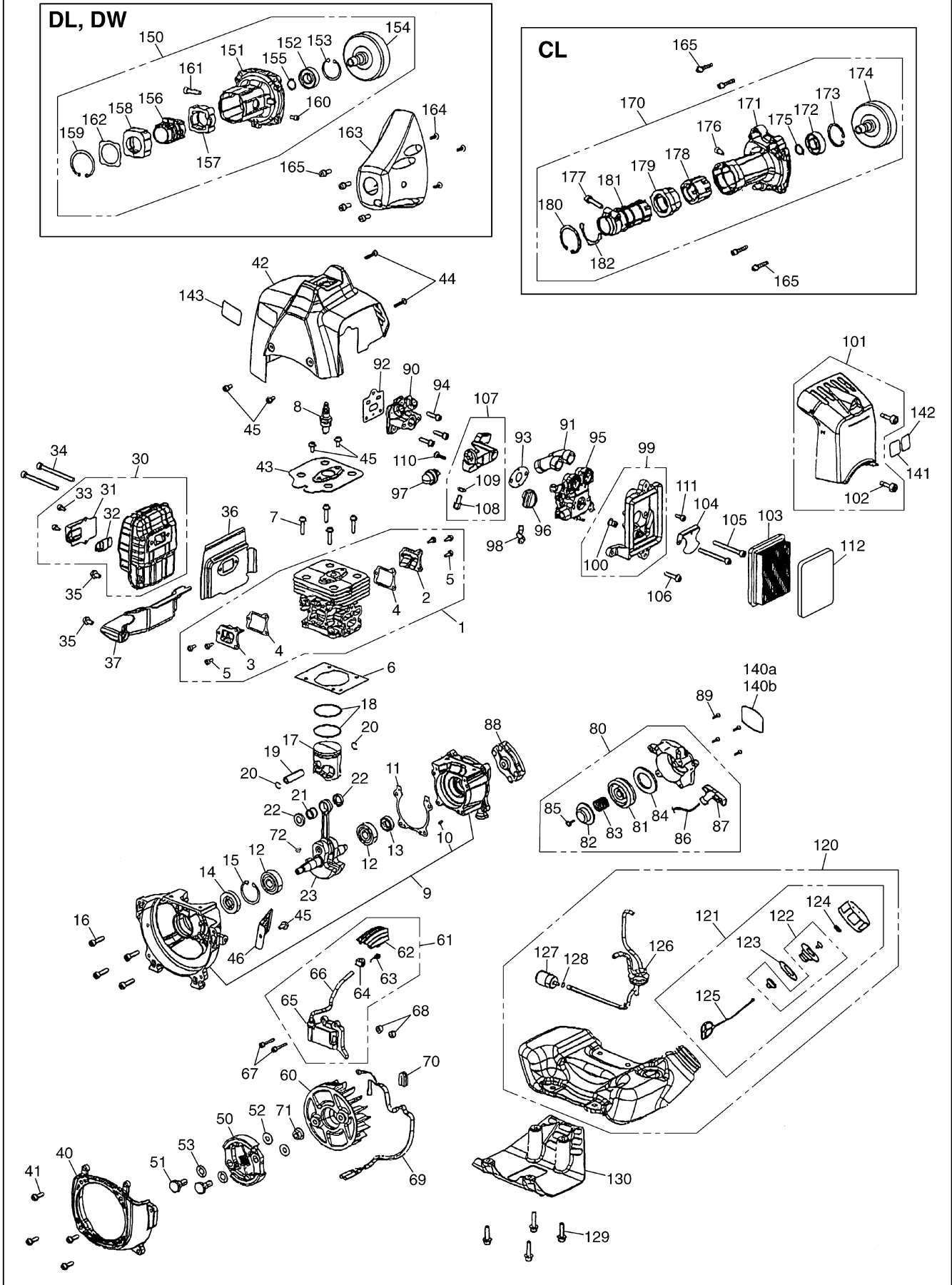
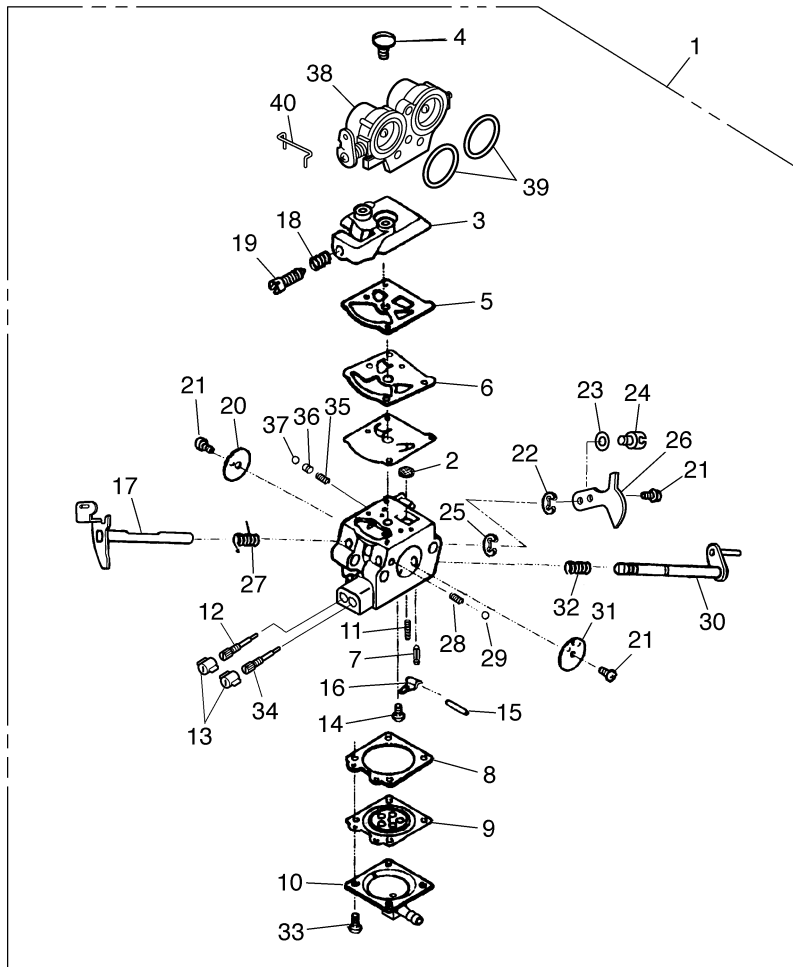


Fig.4 ENGINE GROUP

Key#	PART NUMBER	DESCRIPTION	Q'TY /UNIT	NOTE	Key#	PART NUMBER	DESCRIPTION	Q'TY /UNIT	NOTE
1	848GG01210	CYLINDER COMP.	1		92	848GG014B2	GASKET, INSU	1	
2	848GG012C1	• COVER, TRS	1		93	848GG014C0	GASKET, CARB	1	
3	848GG012D1	• COVER, TRF	1		94	T4950-52021	BOLT TORX M5xL20 T27	3	
4	848GG012E1	• GASKET, TR	2		95	848GG08102	CARBURETOR ASSY	1	
5	8488141000	• BOLT TORX M4x10 T27	6		96	848H7082F0	KNOB	1	
6	848GG012B1	GASKET, CYL	1		97	2850-81900	PUMP	1	
7	4820-12130	BOLT TORX M5xL22 T27	4		98	8488F40450	TUBE	1	
8	3699-91867	SPARK PLUG CMR7H	1		99	848GG08310	BODY ASSY	1	
9	848GG02111	CRANK CASE COMP.	1		100	848GG083D0	• GROMMET	1	
10	2629-21130	• PIN	3		101	848GG08320	COVER ASSY	1	
11	848GG021D1	GASKET, CASE	1		102	8488052011	• SCREW	2	
12	84889C3200	BEARING	2		103	848H7083F1	ELEMENT	1	
13	4810-21210	SEAL	1		104	T4012-82510	PLATE	1	
14	1650-21220	SEAL	1		105	4820-15310	BOLT TORX M5xL50 T27	2	
15	04065-03212	RING	1		106	4820-12130	BOLT TORX M5xL22 T27	1	
16	4820-13180	BOLT TORX M5xL20 T27	4		107	848H708221	BRACKET ASSY	1	
17	848GG041A0	PISTON	1		108	T1600-13170	• SCREW	1	
18	2660-41211	RING, PISTON	2		109	0282-10604	• NUT	1	
19	8488BA3500	PIN	1		110	8488251601	SCREW TP5xL16 T27	1	
20	1300-41320	RING	2		111	8488141200	BOLT TORX M4xL12 T27	1	
21	T2100-41410	BEARING	1		112	848GG083G0	ELEMENT, SUB	1	
22	2850-41510	WASHER	2						
23	848GG04200	CRANK SHAFT COMP.	1		120	848GG08501	TANK ASSY	1	
					121	848L238510	• CAP ASSY	1	
30	848GG01510	MUFFLER ASSY	1		122	4500-85300	•• HOLDER ASSY	1	
31	848GG015U0	• GUIDE	1		123	4500-85220	•• PACKING	1	
32	848GG015B0	• ARRESTER	1		124	5601-85260	•• FILTER	1	
33	T4950-40800	• BOLT TORX M4xL8 T27	2		125	848L2385N0	•• STOPPER	1	
34	4820-82310	BOLT TORX M5xL60 T27	2		126	848GG08530	• PIPE COMP.	1	
35	8488151002	BOLT TORX M5xL10 T27	2		127	3302-85400	• FILTER	1	
36	848GG015C1	GASKET, MUFF	1		128	1260-85460	• CLIP	1	
37	848GG015D1	PLATE	1		129	8488152500	BOLT TORX M5xL25 T27	4	
					130	848GG085Z1	GUARD, TANK	1	
40	848GG053A1	COVER, FAN	1		140a	848GG090C0	LABEL, RECOIL	1	DL, DW
41	4820-85510	BOLT TORX M5xL15 T27	4		140b	848GG190C0	LABEL, RECOIL	1	CL
42	848GG03110	COVER, ENGINE	1		141	2634-31420	LABEL (CE)	1	
43	848GG012G1	PLATE	1		142	8488X01180	LABEL	1	
44	T4970-52000	SCREW TP5xL20 T27	2		143	848H7090B1	LABEL, COVER	1	
45	8488151002	BOLT TORX M5xL10 T27	5						
46	5500-22110	GUARD	1		150	848JG05300	HOUSING ASSY	1	DL, DW
					151	848JG053A1	• HOUSING	1	DL, DW
50	848H705110	SHOE COMP.	1		152	06004-06202	• BEARING	1	DL, DW
51	1200-51211	SCREW	2		153	04065-03515	• RING, SNAP	1	DL, DW
52	1200-51230	WASHER	2		154	848JL051A1	• DRUM	1	DL, DW
53	1200-51241	WASHER	2		155	04064-01510	• RING	1	DL, DW
					156	848JG053B1	• CLAMP	1	DL, DW
60	848GG07111	ROTOR	1		157	848JG053D2	• ABSORBER	1	DL, DW
61	848GG07120	COIL ASSY	1		158	848JG053H2	• ABSORBER	1	DL, DW
62	848F3071C2	• CAP	1		159	04065-04718	• RING	1	DL, DW
63	848F0871G0	• SPRING	1		160	4820-12350	• BOLT TORX M5xL10 T27	1	DL, DW
64	1140-72110	• GROMMET	1		161	8488162500	• BOLT TORX M6xL25 T27	1	DL, DW
65	2818-71320	• CAP	1		162	848JG053Y0	• SPACER	1	DL, DW
66	848GG071D0	• CORD	1		163	848JG053J2	COVER	1	DL, DW
67	8488142500	BOLT TORX M4xL25 T27	2		164	8488251601	SCREW TP5xL16 T27	3	DL, DW
68	T1700-71260	SPACER	2		165	T4950-62040	BOLT TORX M6xL20 T27	4	
69	8488M00150	CORD COMP.	1						
70	4810-72120	GROMMET	1		170	848JL05303	HOUSING ASSY	1	CL
71	1650-43230	NUT	1		171	848JL053A5	• HOUSING	1	CL
72	1000-43240	KEY	1		172	06004-06202	• BEARING	1	CL
					173	04065-03515	• RING SNAP	1	CL
80	848GG07510	RECOIL ASSY	1		174	848JL051A1	• DRUM	1	CL
81	848F6875C0	• REEL	1		175	04064-01510	• RING	1	CL
82	848F6875L0	• PLATE, CAM	1		176	4820-12350	• BOLT TORX M5xL10 T27	1	CL
83	848F6875K0	• SPRING, DAMPER	1		177	T4950-63040	• BOLT TORX M6xL30 T27	1	CL
84	848F6875B0	• SPRING, SPIRAL	1		178	848JL053D1	• ABSORBER	1	CL
85	4500-75150	• SCREW	1		179	848JL053H0	• ABSORBER	1	CL
86	8488S80010	• ROPE	1		180	04065-04518	• RING	1	CL
87	848F6775J0	• KNOB	1		181	848JL053B1	• CLAMP	1	CL
88	848GG07520	PULLEY ASSY	1		182	848JL053Y0	• SPACER	1	CL
89	4820-32120	BOLT TORX M5xL15 T27	4						
90	848GG014A1	INSULATOR	1						
91	848H7082A2	PIPE	1						

Fig.5 CARBURETOR



Key#	PART NUMBER	DESCRIPTION	Q'TY /UNIT	NOTE	Key#	PART NUMBER	DESCRIPTION	Q'TY /UNIT	NOTE
1	848GG08101	CARBURETOR ASSY	1		24	1751-81141	• SWIVEL	1	
2	3306-81380	• SCREEN	1		25	1148-81390	• RING	1	
3	848H7081H0	• GOVER	1		26	848H7181Z1	• LEVER, THROTTLE	1	
4	848H7081P0	• SCREW	1		27	2670-81410	• SPRING	1	
5	3304-81140	• GASKET	1		28	3350-81350	• SPRING, CHOKE	1	
6	1172-81150	• DIAPHRAGM	1		29	3350-81220	• BALL	1	
7	3356-81310	• VALVE, INLET	1		30	848H7181E0	• SHAFT ASSY, CHOKE	1	
8	2850-81290	• GASKET	1		31	848GG080C0	• VALVE	1	
9	3310-81260	• DIAPHRAGM	1		32	3350-81391	• SPRING	1	
10	848H7081G0	• COVER	1		33	3310-81351	• SCREW ASSY	4	
11	2867-81270	• SPRING	1		34	848H7181B0	• NEEDLE	1	
12	848C9280G0	• NEEDLE	1		35	2810-81530	• SPRING	1	
13	3415-81490	• CAP	2		36	2812-81510	• PISTON	1	
14	3310-81240	• SCREW	1		37	2812-81520	• BALL	1	
15	3310-81250	• PIN	1		38	848GG08200	• BODY	1	
16	3310-81230	• LEVER	1		39	848H7082A0	• PACKING	2	
17	848H7081T1	• SHAFT	1		40	848GG082B0	• ROD	1	
18	1282-81460	• SPRING	1						
19	1145-81540	• SCREW	1						
20	3310-81341	• VALVE	1						
21	2880-81470	• SCREW	3						
22	1751-81130	• RING	1						
23	1751-81190	• WASHER	1						



KOMATSU ZENOA CO.

1-9 Minamidai, Kawagoe, Saitama, 350-1192 Japan
