

PARTS LIST

BRUSHCUTTERS

BCZ4505DW	BCZ5010DL
BCZ4505CL	BCZ5010DW
	BCZ5010CL

NOTE :

1. Use ZENOAH genuine parts as specified in the parts list for repair and/or replacement.
2. ZENOAH does not warrant the machines, which have been damaged by the use of any parts other than those specified by the company.
3. When placing parts orders for repair and/or replacement, check if the model name and the serial number are applicable to those specified in the parts list, then use parts number described in the parts list.
4. The contents described in the parts list are accurate as of the date and may change due to improvement.
5. The parts for the machine shall be supplied ten (10) years after the machine is discontinued. [It is possible that some specific parts may be subject to change of their delivery term and list price within the limit of ten (10) years after the machine is discontinued. It is also possible that some parts may be available even after the limit of ten (10) years.]

APPLICABLE SERIAL NUMBERS:

June 2009

BCZ4505 :	DRIVE UNIT	90100001	and up
	ENGINE UNIT	90100001	and up
BCZ5010 :	DRIVE UNIT	90100001	and up
	ENGINE UNIT	90100001	and up

Fig.1 CUTTER GROUP

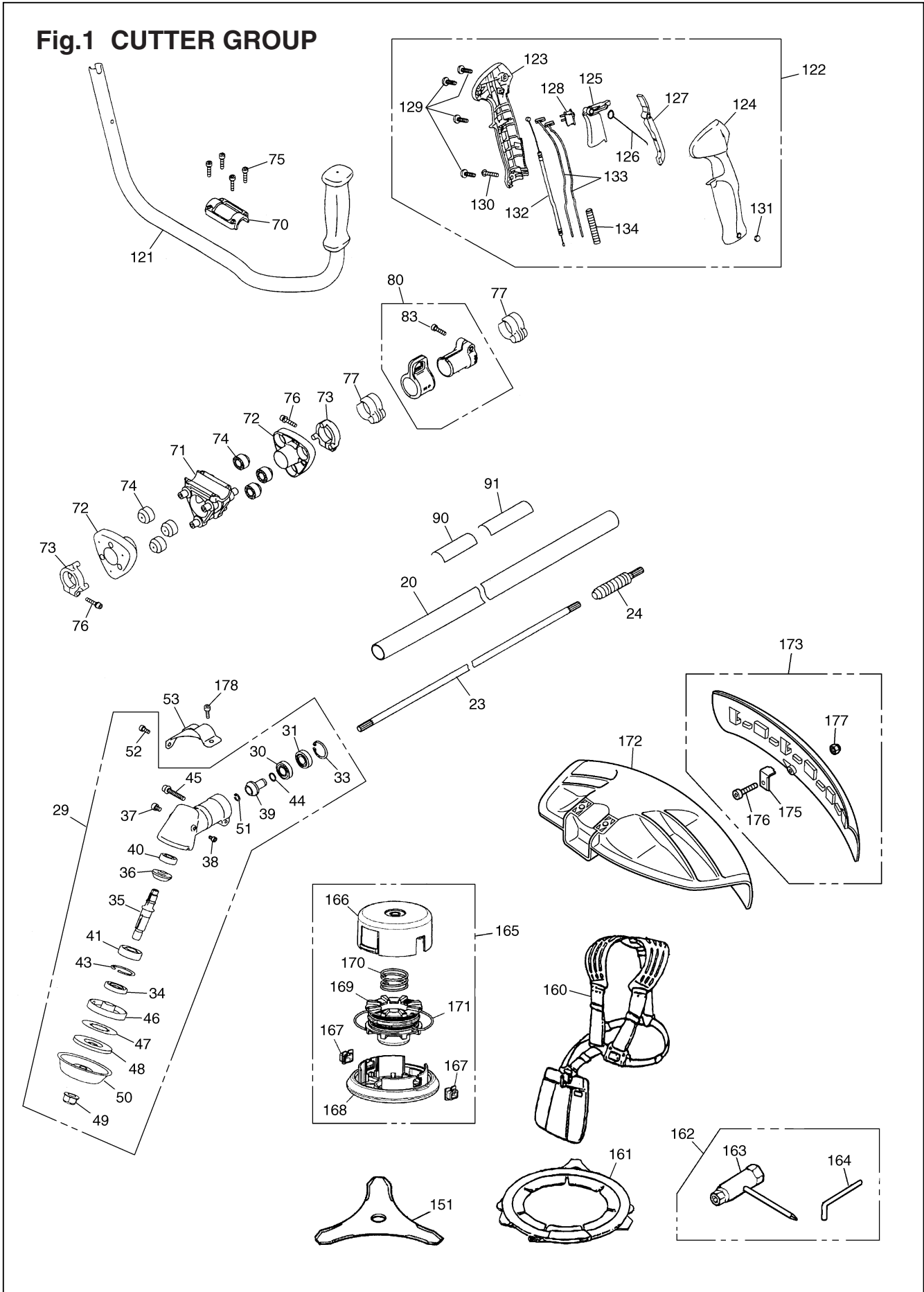


Fig.1 CUTTER GROUP

Key#	PART NUMBER	DESCRIPTION	Q'TY /UNIT	NOTE	Key#	PART NUMBER	DESCRIPTION	Q'TY /UNIT	NOTE
20	848JL05823	PIPE COMP.	1		129	8488241600	• SCREW	4	
23	848JL058E1	SHAFT	1		130	T4960-53010	• SCREW TORX	1	
24	848JL05833	JOINT COMP.	1		131	3320-15310	• NUT	1	
29	848JL06100	GEARCASE ASSY	1		132	8488P00111	• CABLE COMP.	1	
30	06000-06001	• BEARING	1		133	8488M10060	• CORD COMP.	2	
31	06001-06001	• BEARING	1		134	8488H27501	• TUBE	1	
33	04065-02812	• RING	1		151	848JL092A2	BLADE	1	
34	8488AL3500	• SEAL	1		160	6220-17202	HARNES ASSY	1	
35	848JL061B4	• SHAFT	1		161	848JL092B1	COVER BLADE	1	
36	848JL061C2	• GEAR	1		162	8488U00001	TOOL SET	1	
37	T4950-60800	• BOLT TORX	1		163	T4017-91130	• SOCKET	1	
38	T4950-40800	• BOLT TORX	1		164	3540-91110	• BAR	1	
39	848JL061D3	• PINION	1		165	848JL06914	TAPHEAD ASSY	1	ACC.
40	06000-06000	• BEARING	1		166	-	• CASE	1	
41	06004-06202	• BEARING	1		167	T3189-15191	• EYELET	2	
43	04065-03515	• RING, SNAP	1		168	848JL069N0	• COVER	1	
44	3130-13270	• RING	1		169	T3189-15142	• CORD HOLDER	1	
45	T4950-63540	• BOLT TORX	1		170	T3189-15160	• SPRING	1	
46	848JL061F3	• HOLDER (A)	1		171	848BU369S0	• CORD	1	
47	848JL061L2	• PLATE	1		172	848JL066A5	GUARD	1	
48	848JL061G2	• HOLDER (B)	1		173	848JL06635	GURD ASSY	1	
49	848JL061K1	• NUT M12xP1.25	1		175	848JL066B2	• BLADE	1	
50	848JL061J3	• COVER	1		176	4820-72150	• BOLT TORX M4xL16 T27	1	
51	04065-01110	• SNAP RING	1		177	3238-13150	• NUT	1	
52	T1501-32120	• BOLT TORX M5xL12 T27	1		178	T4950-63040	BOLT TORX	2	
53	848JL066C2	PLATE	1						
70	848JL132K1	BRACKET-UP	1						
71	848JL132B2	BRACKET	1						
72	848JL132C2	HOLDER	2						
73	848JL132D1	HOLDER	2						
74	848JL132E2	CUSHION	6						
75	4820-13180	BOLT TORX M5xL20 T27	4						
76	T4950-52540	BOLT TORX	2						
77	848JL132L2	CLAMP	2						
80	848JL23812	HANGER ASSY	1						
		• HANGER	1						
		• CLAMP	1						
83	4820-13180	• BOLT TORX M5xL20 T27	1						
90	848JH90R0	PLATE NAME	1						
91	8488X10020	PLATE	1						
121	848JL03213	HANDLE COMP.	1						
122	848JL03313	GRIP ASSY	1						
123	848JL033A3	• BODY-R	1						
124	848JL033B4	• BODY-L	1						
125	848JL033C3	• LEVER	1						
126	848JL033D2	• SPRING	1						
127	848JL033E3	• LEVER-S	1						
128	T4506-52110	• SWITCH	1						

Fig.2 CUTTER GROUP

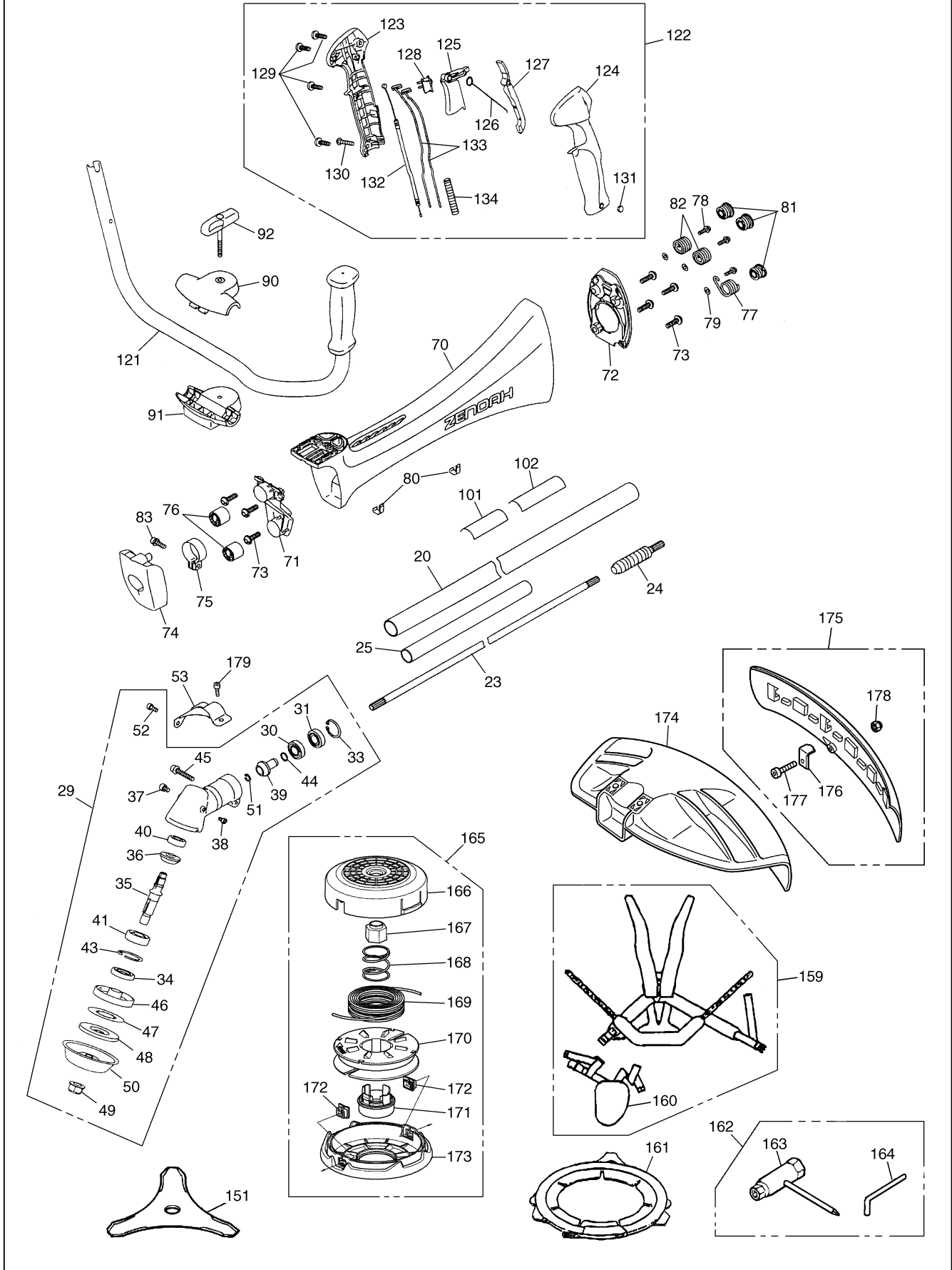


Fig.2 CUTTER GROUP

Key#	PART NUMBER	DESCRIPTION	Q'TY /UNIT	NOTE	Key#	PART NUMBER	DESCRIPTION	Q'TY /UNIT	NOTE
20	848JL05823	PIPE COMP.	1		124	848JL033B4	• BODY-L	1	
					125	848JL033C3	• LEVER	1	
					126	848JL033D2	• SPRING	1	
23	848JL058E1	SHAFT	1		127	848JL033E3	• LEVER-S	1	
24	848JL05833	JOINT COMP.	1		128	T4506-52110	• SWITCH	1	
25	848JL058F0	SLEEVE	1		129	8488241600	• SCREW	4	
29	848JL06100	GEARCASE ASSY	1		130	T4960-53010	• SCREW TORX	1	
30	06000-06001	• BEARING	1		131	3320-15310	• NUT	1	
31	06001-06001	• BEARING	1		132	8488P00111	• CABLE COMP.	1	
					133	8488M10060	• CORD COMP.	2	
33	04065-02812	• RING	1		134	8488H27501	• TUBE	1	
34	8488AL3500	• SEAL	1						
35	848JL061B4	• SHAFT	1		151	8488ZA3021	BLADE	1	
36	848JL061C2	• GEAR	1						
37	T4950-60800	• BOLT TORX	1		159	848JL03612	HARNES ASSY	1	
38	T4950-40800	• BOLT TORX	1		160	848JL036F0	• HIP PAD ASSY	1	
39	848JL061D3	• PINION	1		161	848JL092B1	COVER BLADE	1	
40	06000-06000	• BEARING	1		162	8488U00001	TOOL SET	1	
41	06004-06202	• BEARING	1		163	T4017-91130	• SOCKET	1	
					164	3540-91110	• BAR	1	
43	04065-03515	• RING, SNAP	1		165	848JTA6910	TAPHEAD ASSY	1	ACC.
44	3130-13270	• RING	1		166	848JTA69M0	• CASE	1	
45	T4950-63540	• BOLT TORX	1		167	848JTA69T0		1	
46	848JL061F3	• HOLDER (A)	1		168	848JTA69R0	• SPRING	1	
47	848JL061L2	• PLATE	1		169	848JTA69S0	• CORD	2	
48	848JL061G2	• HOLDER (B)	1		170	848JTA69P0	• CORD HOLDER	1	
49	848JL061K1	• NUT M12xP1.25	1		171	848JTA69Y0	• KNOB	1	
50	848JL061J3	• COVER	1		172	848JTA69U0	• EYELET	2	
51	04065-01110	• SNAP RING	1		173	848JTA69N0	• COVER	1	
52	T1501-32120	• BOLT TORX M5xL12 T27	1		174	848JL066A5	GUARD	1	
53	848JL066C2	PLATE	1		175	848JL066B5	GURD ASSY	1	
					176	848JL066B2	• BLADE	1	
70	848JL031A3	FRAME	1		177	4820-72150	• BOLT TORX M4xL16 T27	1	
71	848JL031E2	BRACKET-F	1		178	3238-13150	• NUT	1	
72	848JL031F3	BRACKET-L	1		179	T4950-63040	BOLT TORX	2	
73	8488251601	SCREW TP5(P-tight)xL16 T27	7						
74	848JL031B3	HOLDER	1						
75	848JL031C2	BAND	1						
76	848JL031J3	ABSORBER	2						
77	848JL031N3	SPRING	1						
78	4820-85510	BOLT TORX M5xL16 T27	3						
79	01642-20508	WASHER	3						
80	848JL032L2	CLAMP	2						
81	848JL031K3	ABSORBER	3						
82	848JL031P3	SPRING	2						
83	T4950-62040	BOLT TORX	1						
90	848JL032C2	BRACKET-UP	1						
91	848JL032D2	BRACKET-LO	1						
92	848JL032G2	KNOB	1						
101	848JJG90R0	PLATE NAME	1						
102	8488X10020	PLATE	1						
121	848JL03212	HANDLE COMP.	1						
122	848JL03313	GRIP ASSY	1						
123	848JL033A3	• BODY-R	1						

Fig.3 ENGINE GROUP

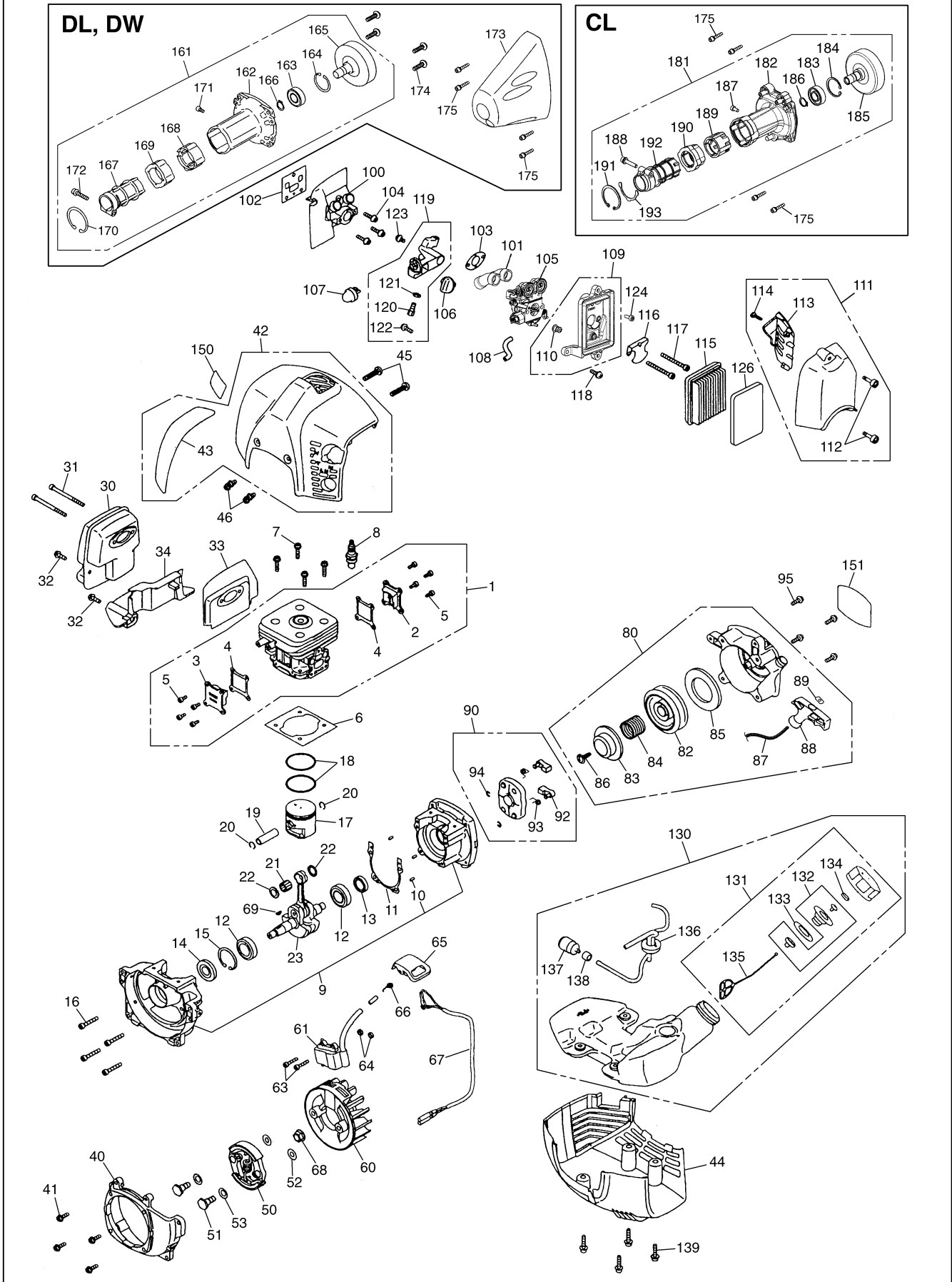
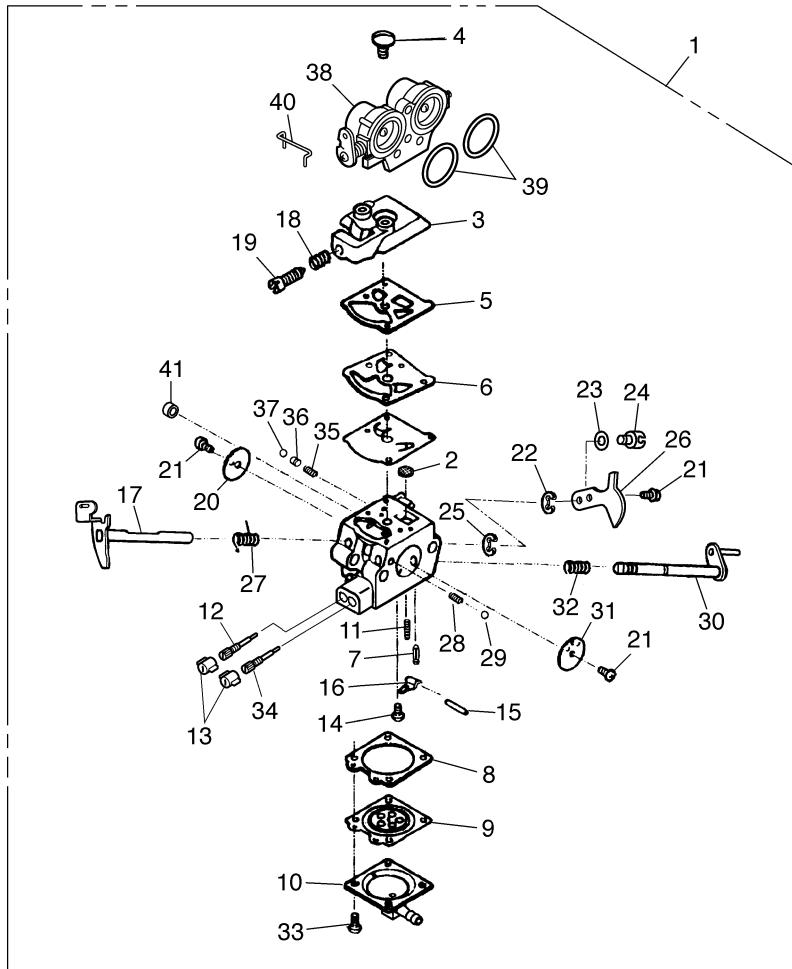


Fig.3 ENGINE GROUP

Key#	PART NUMBER	DESCRIPTION	Q'TY /UNIT	NOTE	Key#	PART NUMBER	DESCRIPTION	Q'TY /UNIT	NOTE
1	848GD01212	CYLINDER COMP.	1		100	848H7014A3	INSULATOR	1	
2	848GD012C1	• COVER, TR, S	1		101	848H7082A2	PIPE	1	
3	848GD012D1	• COVER, TR, F	1		102	848H7014B2	GASKET	1	
4	848H7012E1	• GASKET, TR	2		103	848H7014C1	GASKET, CARB	1	
5	8488141000	• BOLT TORX M4xL10 T27	8		104	T4950-52021	BOLT TORX M5xL20 T27	3	
6	848H7012B1	GASKET	1		105	848H708104	CARBURETOR ASSY	1	
7	4820-12130	BOLT TORX M5xL22 T27	4		106	848H7082F0	KNOB	1	
8	3699-91867	SPARK PLUG	1	CMR7H	107	2850-81900	PUMP	1	
9	848H702111	CRANKCASE COMP.	1		108	8488F40450	TUBE	1	
10	2629-21130	• PIN	3		109	848GG08310	BODY ASSY	1	
11	T1400-21140	GASKET, CASE	1		110	848GG083D0	• GROMMET	1	
12	84889F3511	BEARING	2		111	848H708321	COVER ASSY	1	
13	T4019-21210	SEAL	1		112	8488052011	• SCREW	2	
14	1400-21220	SEAL	1		113	848H7083Y0	• GUARD	1	
15	04065-03515	RING, SNAP	1		114	8488241600	• SCREW	1	
16	4820-21310	BOLT TORX M5xL30 T27	4		115	848H7183F0	ELEMENT	1	
17	848GD041A4	PISTON	1		116	T4012-82510	PLATE	1	
18	2670-41211	RING	2		117	4820-15310	BOLT TORX M5xL50 T27	2	
19	2880-41310	PIN	1		118	4820-85510	BOLT TORX M5xL16 T27	1	
20	3350-41320	SNAP RING	2		119	848H708222	BRACKET ASSY	1	
21	1400-41410	BEARING	1		120	8488351200	• SCREW	1	
22	2670-41510	WASHER	2		121	0282-10604	• NUT	1	
23	848H704201	CRANKSHAFT COMP.	1		122	8488330400	• SCREW	1	
					123	8488251601	SCREW M5xL16 T27	1	
					124	8488141200	BOLT M4x12 T27	1	
30	848H7015A1	MUFFLER	1		126	848GG083G0	ELEMENT, SUB	1	
31	8488156700	BOLT M5xL67	2						
32	4820-85510	BOLT TORX M5xL16 T27	2		130	848H708503	TANK ASSY	1	
33	848H7015C2	GASKET	1		131	T1015-85202	• CAP ASSY	1	
34	848H7015D1	PLATE	1		132	4500-85300	•• HOLDER ASSY	1	
40	848H7053A2	COVER	1		133	4500-85220	•• PACKING	1	
41	4820-85510	BOLT TORX M5xL16 T27	4		134	5601-85260	•• FILTER	1	
42	848H703111	COVER-TOP ASSY	1		135	4820-85260	•• STOPPER	1	
43	848H7031E0	• TAPE	1		136	848H798530	• PIPE COMP.	1	
44	848H7031N1	COVER-BOTTOM	1		137	3302-85400	• FILTER	1	
45	T4970-52000	SCREW TORX 5xL20	2		138	2841-31280	• COLLER	1	
46	8488151002	BOLT TORX M5xL10 T27	2		139	8488153000	BOLT	4	
50	848H705110	SHOE COMP.	1		150	1970-31151	LABEL, COVER	1	
51	1200-51211	SCREW	2		151	848GD690C0	LABEL, RECOIL	1	
52	1200-51230	WASHER	2						
53	1200-51241	WASHER	2		161	848JL15302	HOUSING ASSY	1	DW
60	848H7471A0	ROTOR	1		162	848JL153A2	• HOUSING	1	DW
61	848H707122	COIL ASSY	1		163	06004-06202	• BEARING	1	DW
63	T4950-42200	BOLT TORX M4xL22 T27	2		164	04065-03515	• RING, snap	1	DW
64	1260-71261	SPACER	2		165	848JL051A1	• DRUM	1	DW
65	T1400-72110	CAP	1		166	04064-01510	• SNAP RING	1	DW
66	1900-72120	SPRING	1		167	848JL153B2	• CLAMP	1	DW
67	T1400-73200	CORD COMP.	1		168	848JL153D2	• ABSSORBER	1	DW
68	1400-43230	NUT	1		169	848JL153H2	• ABSSORBER	1	DW
69	1000-43240	KEY	1		170	04065-04718	• RING	1	DW
80	848H7F7510	RECOIL ASSY	1		171	4820-12350	• BOLT TORX M5xL10 T27	1	DW
82	848H7475C0	• REEL	1		172	T4950-63040	• BOLT TORX M6xL30 T27	1	DW
83	848H7475L0	• PLATE, CAM	1		173	848JL153J2	COVER	1	DW
84	848H7075K1	• SPRING, DAMPER	1		174	8488251601	SCREW TP5(P-tight)xL16 T27	4	DW
85	848H7075B1	• SPRING, SPIRAL	1		175	T4950-62040	BOLT TORX M6xL20 T27	4	
86	848H7475E1	• SCREW	1		181	848JL05303	HOUSING ASSY	1	CL
87	848H7075F1	• ROPE	1		182	848JL053A5	• HOUSING	1	CL
88	848H7075J1	• KNOB	1		183	06004-06202	• BEARING	1	CL
89	848H7075G1	• STOPPER	1		184	04065-03515	• RING, SNAP	1	CL
90	848H747520	PULLEY ASSY	1		185	848JL051A1	• DRUM	1	CL
92	848H7475R0	• RATCHET	2		186	04064-01510	• SNAP RING	1	CL
93	848H7075S0	• SPRING	2		187	4820-12350	• BOLT TORX M5xL10 T27	1	CL
94	1034-72180	• E RING	2		188	T4950-53040	• BOLT TORX M5xL30 T27	1	CL
95	4820-32120	BOLT TORX	4		189	848JL053D1	• ABSSORBER	1	CL
					190	848JL053H0	• ABSSORBER	1	CL
					191	04065-04518	• RING	1	CL
					192	848JL053B1	• CLAMP	1	CL
					193	848JL053Y0	• SPACER	1	CL

Fig.4 CARBURETOR



Key#	PART NUMBER	DESCRIPTION	Q'TY /UNIT	NOTE	Key#	PART NUMBER	DESCRIPTION	Q'TY /UNIT	NOTE
1	848H708104	CARBURETOR ASSY	1		24	1751-81141	• SWIVEL	1	
2	3306-81380	• SCREEN	1		25	1148-81390	• RING	1	
3	848H7081H0	• COVER	1		26	848H7181Z1	• LEVER, throttle	1	
4	848H7081P0	• SCREW	1		27	2670-81410	• SPRING	1	
5	3304-81140	• GASKET	1		28	3350-81350	• SPRING	1	
6	1172-81150	• DIAPHRAGM	1		29	3350-81220	• BALL	1	
7	3356-81310	• VALVE	1		30	848H7181E0	• SHAFT ASSY, choke	1	
8	2850-81290	• GASKET	1		31	848H7480C0	• VALVE	1	
9	848HE081K0	• DIAPHRAGM	1		32	3350-81391	• SPRING	1	
10	848H7081G0	• COVER	1		33	3310-81351	• SCREW	4	
11	1488-81370	• SPRING	1		34	2812-81330	• NEEDLE	1	
12	848H7383G0	• NEEDLE	1		35	2810-81530	• SPRING	1	
13	3415-81490	• CAP	2		36	2812-81510	• PISTON	1	
14	3310-81240	• SCREW	1		37	2812-81520	• BALL	1	
15	3310-81250	• PIN	1		38	848H708200	• BODY ASSY, air valve	1	
16	3310-81230	• LEVER	1		39	848H7082C0	• RING, packing	2	
17	848H7081T1	• SHAFT	1		40	848H7082B0	• LINK ROD	1	
18	1282-81460	• SPRING	1		41	848GG080D0	• PLUG, cup	1	
19	1145-81540	• SCREW	1						
20	848H7081U1	• VALVE	1						
21	2880-81470	• SCREW	3						
22	1751-81130	• RING	1						
23	1751-81190	• WASHER	1						

Fig.5 CUTTER GROUP

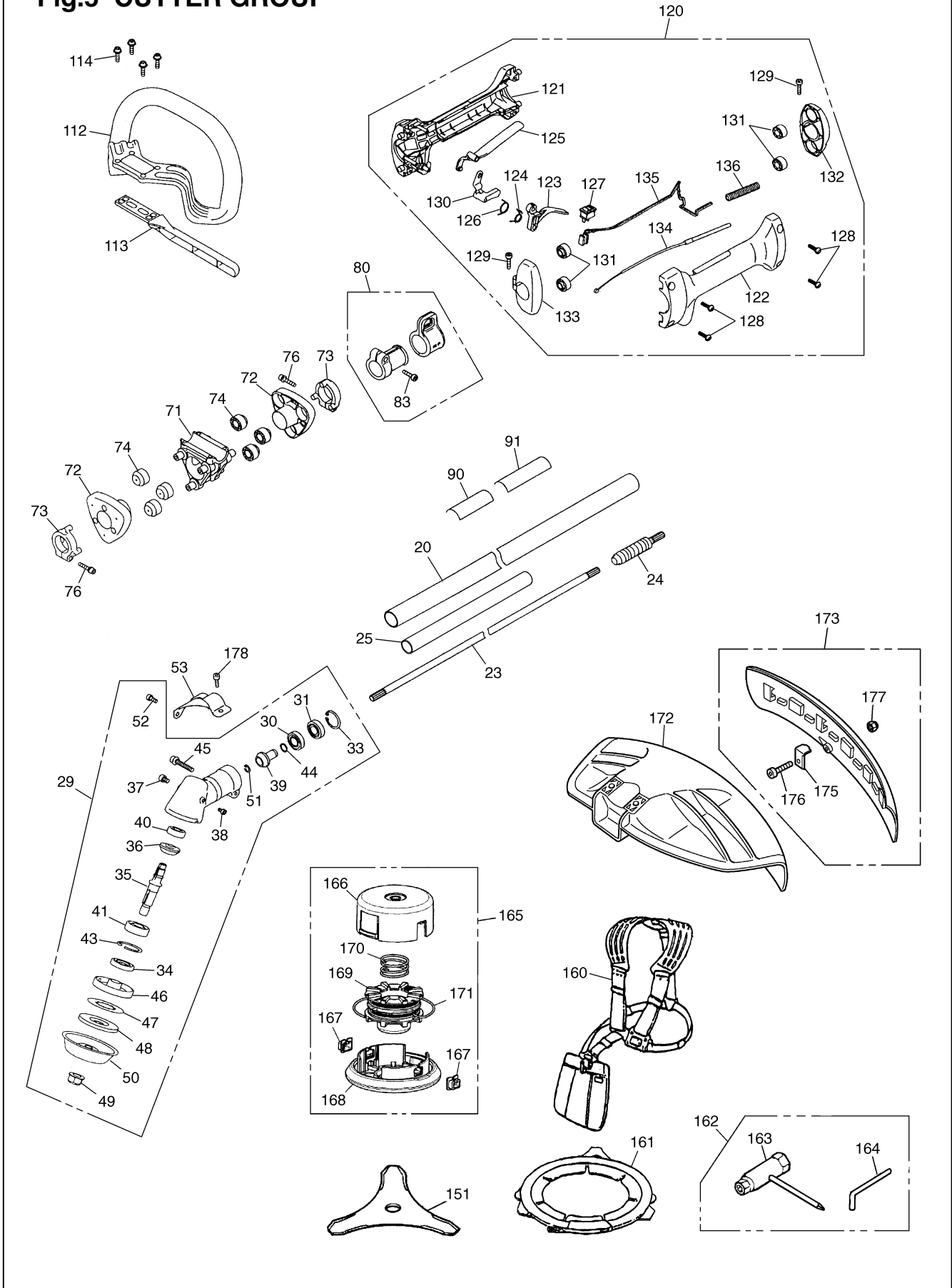


Fig.5 CUTTER GROUP

Key#	PART NUMBER	DESCRIPTION	Q'TY /UNIT	NOTE	Key#	PART NUMBER	DESCRIPTION	Q'TY /UNIT	NOTE
20	848JL05823	PIPE COMP. 1500x28xT2	1		125	848JL233E2	• LEVER-S	1	
					126	848JL233F3	• SPRING	1	
23	848JL058E1	SHAFT 1470x10, Spline ϕ 10x11 tooth	1		127	T4506-52110	• SWITCH	1	
24	848JL05833	JOINT COMP.	1		128	8488251601	• SCREW TP5(P-tight)xL16 T27	4	
25	848JL058F0	SLEEVE	1		129	4820-13180	• BOLT TORX M5xL20 T27	2	
					130	848JL233G2	• LEVER	1	
29	848JL06100	GEARCASE ASSY	1		131	848JL233H3	• ABSORBER	4	
30	06000-06001	• BEARING	1		132	8488RB0610	• HOLDER REAR		
31	06001-06001	• BEARING	1		133	8488RA0610	• HOLDER FRONT	1	
					134	8488P40090	• CABLE COMP.	1	
33	04065-02812	• RING	1		135	8488M10790	• CORD COMP.	2	
34	8488AL3500	• SEAL	1		136	8488H20701	• TUBE	1	
35	848JL061B4	• SHAFT	1		151	848JL092A2	BLADE	1	
36	848JL061C2	• GEAR	1						
37	T4950-60800	• BOLT TORX M6xL8 T27	1		160	6220-17202	HARNES ASSY	1	
38	T4950-40800	• BOLT TORX M4xL8 T27	1		161	848JL092B1	COVER BLADE	1	
39	848JL061D3	• PINION	1		162	8488U00001	TOOL SET	1	
40	06000-06000	• BEARING	1		163	T4017-91130	• SOCKET	1	
41	06004-06202	• BEARING	1		164	3540-91110	• BAR	1	
					165	848JL06914	TAPHEAD ASSY	1	ACC.
43	04065-03515	• RING, SNAP	1		166	-	• CASE	1	
44	3130-13270	• RING	1		167	T3189-15191	• EYELET	2	
45	T4950-63540	• BOLT TORX	1		168	848JL069N0	• COVER	1	
46	848JL061F3	• HOLDER (A)	1		169	T3189-15142	• CORD HOLDER	1	
47	848JL061L2	• PLATE	1		170	T3189-15160	• SPRING	1	
48	848JL061G2	• HOLDER (B)	1		171	848BU369S0	• CORD	1	
49	848JL061K1	• NUT M12xP1.25	1		172	848JL066A5	GUARD	1	
50	848JL061J3	• COVER	1		173	848JL06635	GURD ASSY	1	
51	04065-01110	• SNAP RING	1						
52	T1501-32120	• BOLT TORX M5xL12 T27	1		175	848JL066B2	• BLADE	1	
53	848JL066C2	PLATE	1		176	4820-72150	• BOLT TORX M4xL16 T27	1	
					177	3238-13150	• NUT	1	
71	848JL132B2	BRACKET	1		178	T4950-63040	BOLT TORX M6xL30 T27	2	
72	848JL132C2	HOLDER	2						
73	848JL132D1	HOLDER	2						
74	848JL132E2	CUSHION	6						
76	T4950 52540	BOLT TORX M5xL25 T27	2						
80	848JL23812	HANGER ASSY							
		• HANGER	1						
		• CLAMP							
83	4820-13180	• BOLT TORX M5xL20 T27	1						
90	848JLA90R0	PLATE NAME	1						
91	8488X10020	PLATE	1						
112	848JL232A2	HANDLE	1						
113	848JL232F3	BARRIER	1						
114	T4950-52030	BOLT TORX TORX 5xL20 T27	4						
120	8488R40610	GRIP ASSY	1						
121	848JL233A5	• BODY-R	1						
122	848JL233B5	• BODY-L	1						
123	848JL233C6	• LEVER	1						
124	848JL233D3	• SPRING	1						

Fig.6 CUTTER GROUP

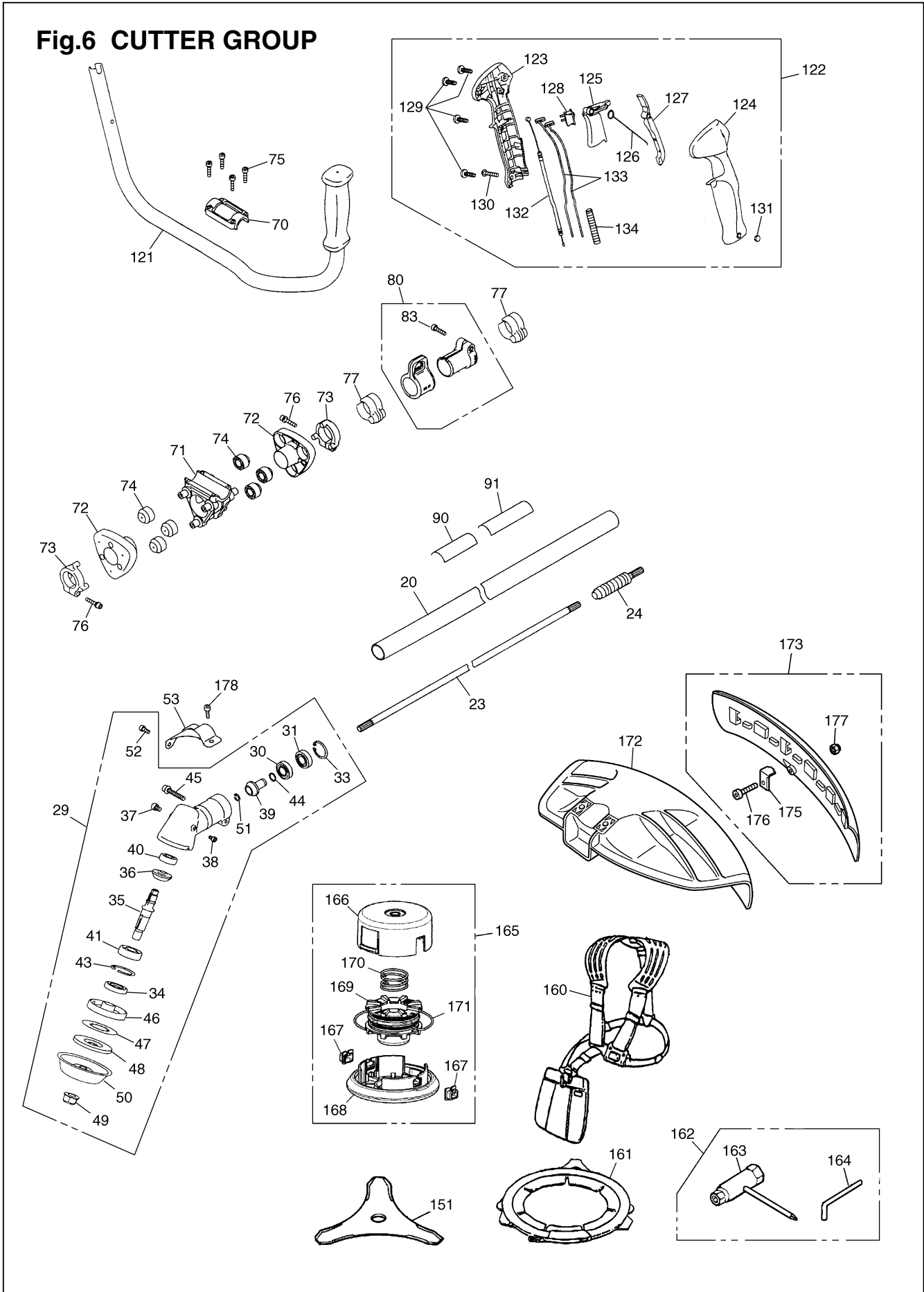


Fig.6 CUTTER GROUP

Key#	PART NUMBER	DESCRIPTION	Q'TY /UNIT	NOTE	Key#	PART NUMBER	DESCRIPTION	Q'TY /UNIT	NOTE
20	848JL05823	PIPE COMP.	1		129	8488241600	• SCREW	4	
23	848JL058E1	SHAFT	1		130	T4960-53010	• SCREW TORX	1	
24	848JL05833	JOINT COMP.	1		131	3320-15310	• NUT	1	
29	848JL06100	GEARCASE ASSY	1		132	8488P00111	• CABLE COMP.	1	
30	06000-06001	• BEARING	1		133	8488M10060	• CORD COMP.	2	
31	06001-06001	• BEARING	1		134	8488H27501	• TUBE	1	
33	04065-02812	• RING	1		151	848JL092A2	BLADE	1	
34	8488AL3500	• SEAL	1		160	6220-17202	HARNES ASSY	1	
35	848JL061B4	• SHAFT	1		161	848JL092B1	COVER BLADE	1	
36	848JL061C2	• GEAR	1		162	8488U00001	TOOL SET	1	
37	T4950-60800	• BOLT TORX	1		163	T4017-91130	• SOCKET	1	
38	T4950-40800	• BOLT TORX	1		164	3540-91110	• BAR	1	
39	848JL061D3	• PINION	1		165	848JL06914	TAPHEAD ASSY	1	ACC.
40	06000-06000	• BEARING	1		166	-	• CASE	1	
41	06004-06202	• BEARING	1		167	T3189-15191	• EYELET	2	
43	04065-03515	• RING, SNAP	1		168	848JL069N0	• COVER	1	
44	3130-13270	• RING	1		169	T3189-15142	• CORD HOLDER	1	
45	T4950-63540	• BOLT TORX	1		170	T3189-15160	• SPRING	1	
46	848JL061F3	• HOLDER (A)	1		171	T3189-15180	• CORD	1	
47	848JL061L2	• PLATE	1		172	848JL066A5	GUARD	1	
48	848JL061G2	• HOLDER (B)	1		173	848JL06635	GURD ASSY	1	
49	848JL061K1	• NUT M12xP1.25	1		175	848JL066B2	• BLADE	1	
50	848JL061J3	• COVER	1		176	4820-72150	• BOLT TORX M4xL16 T27	1	
51	04065-01110	• SNAP RING	1		177	3238-13150	• NUT	1	
52	T1501-32120	• BOLT TORX M5xL12 T27	1		178	T4950-63040	BOLT TORX	2	
53	848JL066C2	PLATE	1						
70	848JL132K1	BRACKET-UP	1						
71	848JL132B2	BRACKET	1						
72	848JL132C2	HOLDER	2						
73	848JL132D1	HOLDER	2						
74	848JL132E2	CUSHION	6						
75	4820-13180	BOLT TORX M5xL20 T27	4						
76	T4950-52540	BOLT TORX	2						
77	848JL132L2	CLAMP	2						
80	848JL23812	HANGER ASSY	1						
		• HANGER	1						
		• CLAMP	1						
83	4820-13180	• BOLT TORX M5xL20 T27	1						
90	848JLA90R0	PLATE NAME	1						
91	8488X10020	PLATE	1						
121	848JL03212	HANDLE COMP.	1						
122	848JL03313	GRIP ASSY	1						
123	848JL033A3	• BODY-R	1						
124	848JL033B4	• BODY-L	1						
125	848JL033C3	• LEVER	1						
126	848JL033D2	• SPRING	1						
127	848JL033E3	• LEVER-S	1						
128	T4506-52110	• SWITCH	1						

Fig.7 CUTTER GROUP

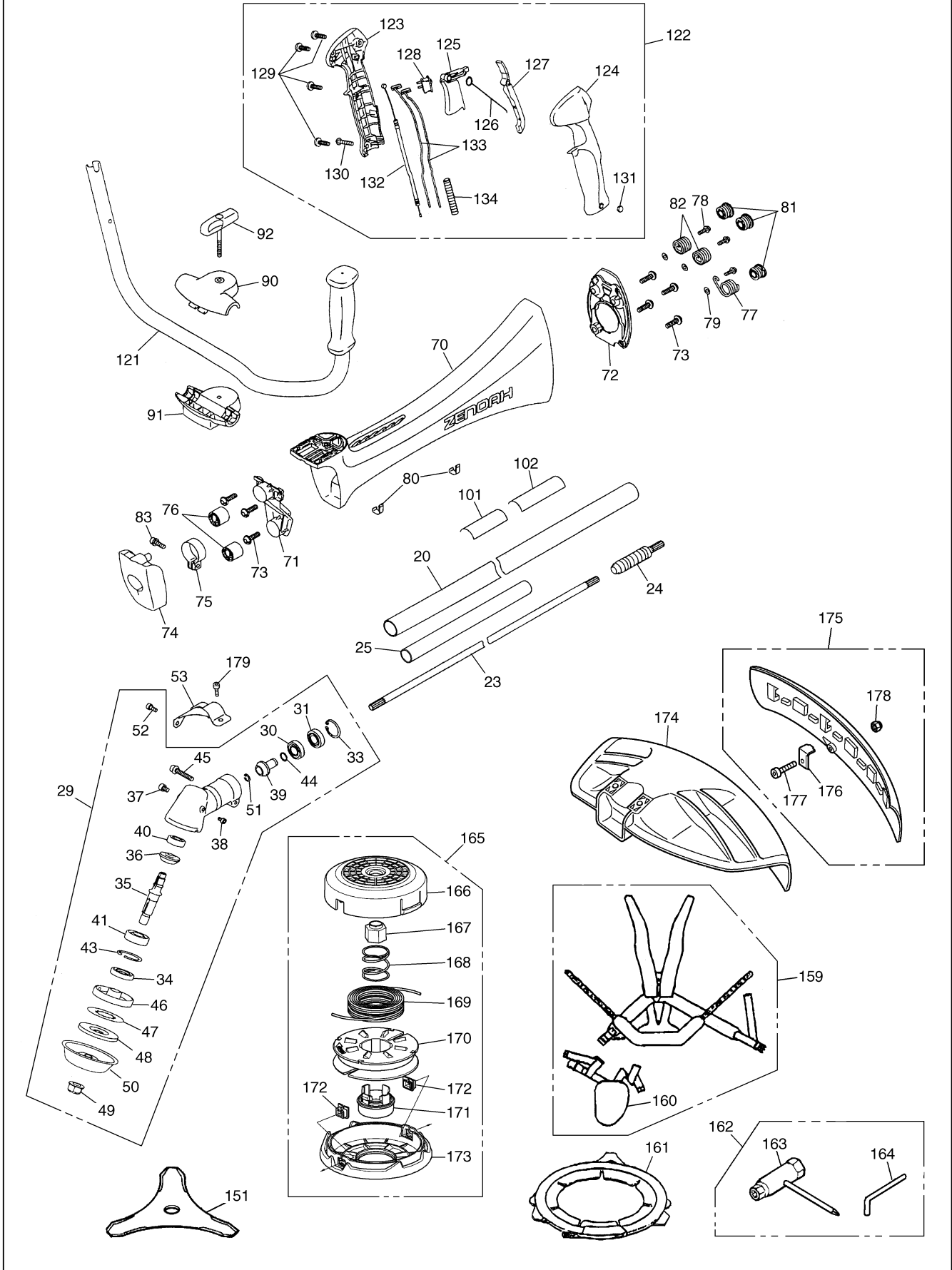


Fig.7 CUTTER GROUP

Key#	PART NUMBER	DESCRIPTION	Q'TY /UNIT	NOTE	Key#	PART NUMBER	DESCRIPTION	Q'TY /UNIT	NOTE
20	848JL05823	PIPE COMP.	1		123	848JL033A3	• BODY-R	1	
					124	848JL033B4	• BODY-L	1	
					125	848JL033C3	• LEVER	1	
23	848JL058E1	SHAFT	1		126	848JL033D2	• SPRING	1	
24	848JL05833	JOINT COMP.	1		127	848JL033E3	• LEVER-S	1	
25	848JL058F0	SLEEVE	1		128	T4506-52110	• SWITCH	1	
					129	8488241600	• SCREW	4	
29	848JL06100	GEARCASE ASSY	1		130	T4960-53010	• SCREW TORX	1	
30	06000-06001	• BEARING	1		131	3320-15310	• NUT	1	
31	06001-06001	• BEARING	1		132	8488P00111	• CABLE COMP.	1	
					133	8488M10060	• CORD COMP.	2	
33	04065-02812	• RING	1		134	8488H27501	• TUBE	1	
34	8488AL3500	• SEAL	1		151	848JL092A2	BLADE	1	
35	848JL061B4	• SHAFT	1		159	848JL03611	HARNES ASSY	1	
36	848JL061C2	• GEAR	1		160	848JL036F0	• HIP PAD ASSY	1	
37	T4950-60800	• BOLT TORX	1		161	848JL092B1	COVER BLADE	1	
38	T4950-40800	• BOLT TORX	1		162	8488U00001	TOOL SET	1	
39	848JL061D3	• PINION	1		163	T4017-91130	• SOCKET	1	
40	06000-06000	• BEARING	1		164	3540-91110	• BAR	1	
41	06004-06202	• BEARING	1		165	848JTA6910	TAPHEAD ASSY	1	ACC.
43	04065-03515	• RING, SNAP	1		166	848JTA69M0	• CASE	1	
44	3130-13270	• RING	1		167	848JTA69T0		1	
45	T4950-63540	• BOLT TORX	1		168	848JTA69R0	• SPRING	1	
46	848JL061F3	• HOLDER (A)	1		169	848JTA69S0	• CORD	2	
47	848JL061L2	• PLATE	1		170	848JTA69P0	• CORD HOLDER	1	
48	848JL061G2	• HOLDER (B)	1		171	848JTA69Y0	• KNOB	1	
49	848JL061K1	• NUT M12xP1.25	1		172	848JTA69U0	• EYELET	2	
50	848JL061J3	• COVER	1		173	848JTA69N0	• COVER	1	
51	04065-01110	• SNAP RING	1		174	848JL066A5	GUARD	1	
52	T1501-32120	• BOLT TORX M5xL12 T27	1		175	848JL06635	GURD ASSY	1	
53	848JL066C2	PLATE	1		176	848JL066B2	• BLADE	1	
70	848JL031A3	FRAME	1		177	4820-72150	• BOLT TORX M4xL16 T27	1	
71	848JL031E2	BRACKET-F	1		178	3238-13150	• NUT	1	
72	848JL031F3	BRACKET-L	1		179	T4950-63040	BOLT TORX	2	
73	8488251601	SCREW TP5(P-tight)xL16 T27	7						
74	848JL031B3	HOLDER	1						
75	848JL031C2	BAND	1						
76	848JL031J3	ABSORBER	2						
77	848JL031N3	SPRING	1						
78	4820-85510	BOLT TORX M5xL16 T27	3						
79	01642-20508	WASHER	3						
80	848JL032L2	CLAMP	2						
81	848JL031K3	ABSORBER	3						
82	848JL031P3	SPRING	2						
83	T4950-62040	BOLT TORX	1						
90	848JL032C2	BRACKET-UP	1						
91	848JL032D2	BRACKET-LO	1						
92	848JL032G2	KNOB	1						
101	848JLA90R0	PLATE NAME	1						
102	8488X10020	PLATE	1						
121	848JL03212	HANDLE COMP.	1						
122	848JL03313	GRIP ASSY	1						

Fig.8 ENGINE GROUP

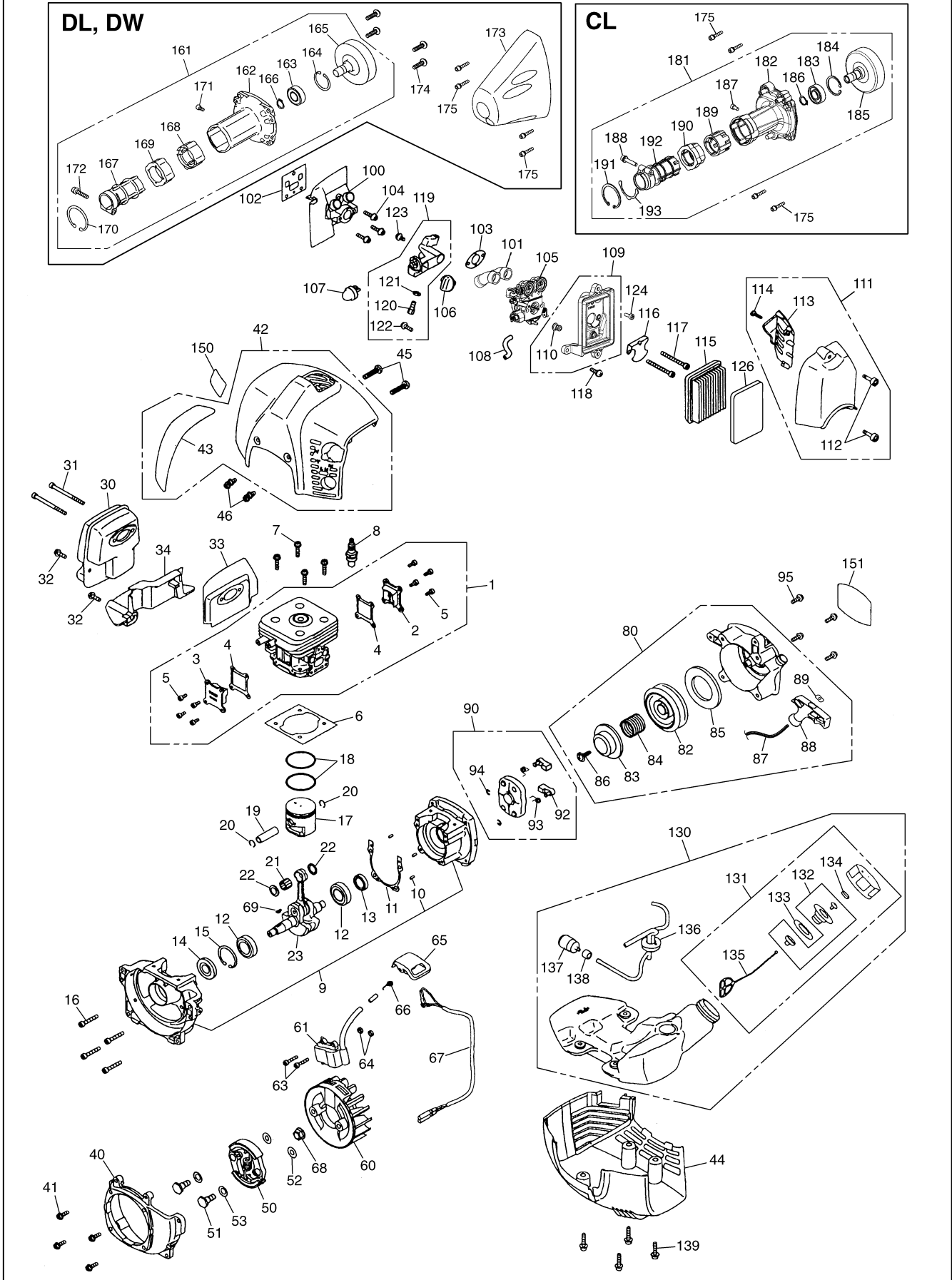
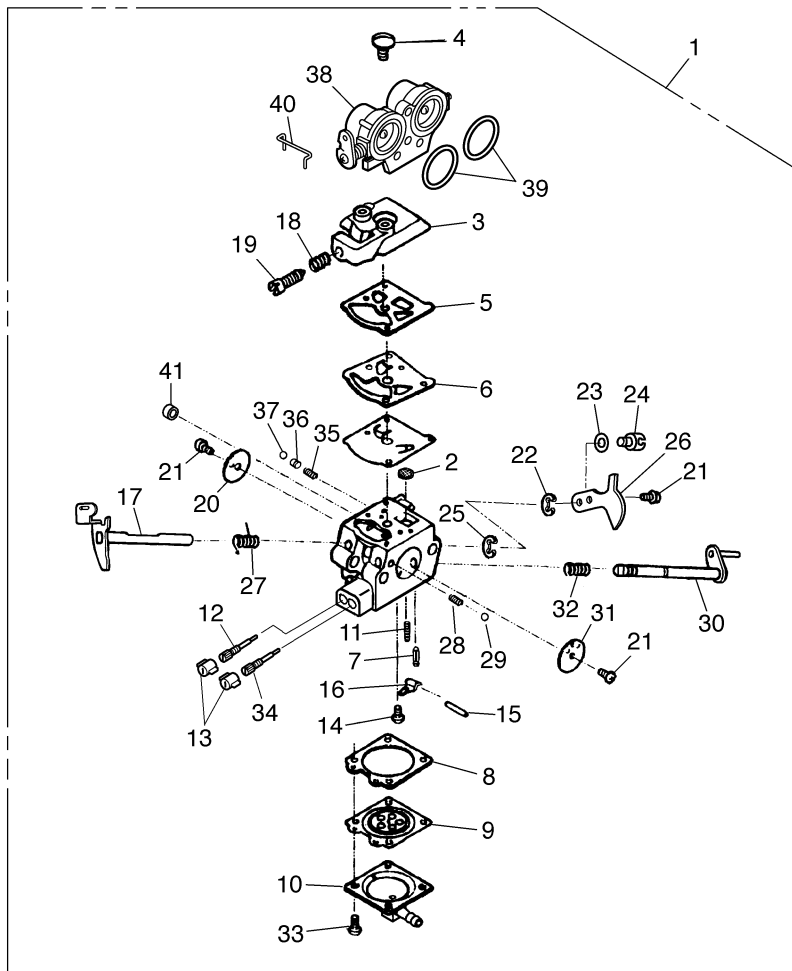


Fig.8 ENGINE GROUP

Key#	PART NUMBER	DESCRIPTION	Q'TY /UNIT	NOTE	Key#	PART NUMBER	DESCRIPTION	Q'TY /UNIT	NOTE
1	848H701212	CYLINDER COMP.	1		100	848H7014A3	INSULATOR	1	
2	848H7012C1	• COVER, TR, S	1		101	848H7082A2	PIPE	1	
3	848H7012D1	• COVER, TR, F	1		102	848H7014B2	GASKET	1	
4	848H7012E1	• GASKET, TR	2		103	848H7014C1	GASKET, CARB	1	
5	8488141000	• BOLT TORX M4xL10 T27	8		104	T4950-52021	BOLT TORX M5xL20 T27	3	
6	848H7012B1	GASKET	1		105	848H708104	CARBURETOR ASSY	1	
7	4820-12130	BOLT TORX M5xL22 T27	4		106	848H7082F0	KNOB	1	
8	3699-91867	SPARK PLUG	1	CMR7H	107	2850-81900	PUMP	1	
9	848H702111	CRANKCASE COMP.	1		108	8488F40450	TUBE	1	
10	2629-21130	• PIN	3		109	848GG08310	BODY ASSY	1	
11	T1400-21140	GASKET, CASE	1		110	848GG083D0	• GROMMET	1	
12	84889F3511	BEARING	2		111	848H708321	COVER ASSY	1	
13	T4019-21210	SEAL	1		112	8488052011	• SCREW	2	
14	1400-21220	SEAL	1		113	848H7083Y0	• GUARD	1	
15	04065-03515	RING, SNAP	1		114	8488241600	• SCREW	1	
16	4820-21310	BOLT TORX M5xL30 T27	4		115	848H7183F0	ELEMENT	1	
17	848H7041A4	PISTON	1		116	T4012-82510	PLATE	1	
18	T1400-41210	RING	2		117	4820-15310	BOLT TORX M5xL50 T27	2	
19	2880-41310	PIN	1		118	4820-85510	BOLT TORX M5xL16 T27	1	
20	3350-41320	SNAP RING	2		119	848H708222	BRACKET ASSY	1	
21	1400-41410	BEARING	1		120	8488351200	• SCREW	1	
22	2670-41510	WASHER	2		121	0282-10604	• NUT	1	
23	848H704201	CRANKSHAFT COMP.	1		122	8488330400	• SCREW	1	
					123	8488251601	SCREW M5xL16 T27	1	
30	848H7015A1	MUFFLER	1		124	8488141200	BOLT M4x12 T27	1	
31	8488156700	BOLT M5xL65	2						
32	4820-85510	BOLT TORX M5xL16 T27	2		126	848GG083G0	ELEMENT, SUB	1	
33	848H7015C2	GASKET	1						
34	848H7015D1	PLATE	1		130	848H708503	TANK ASSY	1	
					131	T1015-85202	• CAP ASSY	1	
40	848H7053A2	COVER	1		132	4500-85300	•• HOLDER ASSY	1	
41	4820-85510	BOLT TORX M5xL16 T27	4		133	4500-85220	•• PACKING	1	
42	848H703111	COVER-TOP ASSY	1		134	5601-85260	•• FILTER	1	
43	848H7031E0	• TAPE	1		135	4820-85260	•• STOPPER	1	
44	848H7031N1	COVER-BOTTOM	1		136	848H798530	• PIPE COMP.	1	
45	T4970-52000	SCREW TORX 5xL20	2		137	3302-85400	• FILTER	1	
46	8488151002	BOLT TORX M5xL10 T27	2		138	2841-31280	• COLLER	1	
					139	8488153000	BOLT	4	
50	848H705110	SHOE COMP.	1		150	1970-31151	LABEL, COVER	1	
51	1200-51211	SCREW	2		151	848H7M90C0	LABEL, RECOIL	1	
52	1200-51230	WASHER	2						
53	1200-51241	WASHER	2		161	848JL15302	HOUSING ASSY	1	DL, DW
					162	848JL153A2	• HOUSING	1	DL, DW
60	848H7471A0	ROTOR	1		163	06004-06202	• BEARING	1	DL, DW
61	848H707122	COIL ASSY	1		164	04065-03515	• RING, snap	1	DL, DW
					165	848JL051A1	• DRUM	1	DL, DW
63	T4950-42200	BOLT TORX M4xL22 T27	2		166	04064-01510	• SNAP RING	1	DL, DW
64	1260-71261	SPACER	2		167	848JL153B2	• CLAMP	1	DL, DW
65	T1400-72110	CAP	1		168	848JL153D2	• ABSSORBER	1	DL, DW
66	1900-72120	SPRING	1		169	848JL153H2	• ABSSORBER	1	DL, DW
67	T1400-73200	CORD COMP.	1		170	04065-04718	• RING	1	DL, DW
68	1400-43230	NUT	1		171	4820-12350	• BOLT TORX M5xL10 T27	1	DL, DW
69	1000-43240	KEY	1		172	T4950-63040	• BOLT TORX M6xL30 T27	1	DL, DW
					173	848JL153J2	COVER	1	DL, DW
80	848H7F7510	RECOIL ASSY	1		174	8488251601	SCREW TP5(P-tight)xL16 T27	4	DL, DW
					175	T4950-62040	BOLT TORX M6xL20 T27	4	
82	848H7475C0	• REEL	1						
83	848H7475L0	• PLATE, CAM	1		181	848JL05303	HOUSING ASSY	1	CL
84	848H7075K1	• SPRING, DAMPER	1		182	848JL053A5	• HOUSING	1	CL
85	848H7075B1	• SPRING, SPIRAL	1		183	06004-06202	• BEARING	1	CL
86	848H7475E1	• SCREW	1		184	04065-03515	• RING, SNAP	1	CL
87	848H7075F1	• ROPE	1		185	848JL051A1	• DRUM	1	CL
88	848H7075J1	• KNOB	1		186	04064-01510	• SNAP RING	1	CL
89	848H7075G1	• STOPPER	1		187	4820-12350	• BOLT TORX M5xL10 T27	1	CL
90	848H747520	PULLEY ASSY	1		188	T4950-53040	• BOLT TORX M5xL30 T27	1	CL
					189	848JL053D1	• ABSSORBER	1	CL
92	848H7475R0	• RATCHET	2		190	848JL053H0	• ABSSORBER	1	CL
93	848H7075S0	• SPRING	2		191	04065-04518	• RING	1	CL
94	1034-72180	• E RING	2		192	848JL053B1	• CLAMP	1	CL
95	4820-32120	BOLT TORX	4		193	848JL053Y0	• SPACER	1	CL

Fig.9 CARBURETOR



Key#	PART NUMBER	DESCRIPTION	Q'TY /UNIT	NOTE	Key#	PART NUMBER	DESCRIPTION	Q'TY /UNIT	NOTE
1	848H708104	CARBURETOR ASSY	1		24	1751-81141	• SWIVEL	1	
2	3306-81380	• SCREEN	1		25	1148-81390	• RING	1	
3	848H7081H0	• COVER	1		26	848H7181Z1	• LEVER, throttle	1	
4	848H7081P0	• SCREW	1		27	2670-81410	• SPRING	1	
5	3304-81140	• GASKET	1		28	3350-81350	• SPRING	1	
6	1172-81150	• DIAPHRAGM	1		29	3350-81220	• BALL	1	
7	3356-81310	• VALVE	1		30	848H7181E0	• SHAFT ASSY, choke	1	
8	2850-81290	• GASKET	1		31	848H7480C0	• VALVE	1	
9	848HE081K0	• DIAPHRAGM	1		32	3350-81391	• SPRING	1	
10	848H7081G0	• COVER	1		33	3310-81351	• SCREW	4	
11	1488-81370	• SPRING	1		34	2812-81330	• NEEDLE	1	
12	848H7383G0	• NEEDLE	1		35	2810-81530	• SPRING	1	
13	3415-81490	• CAP	2		36	2812-81510	• PISTON	1	
14	3310-81240	• SCREW	1		37	2812-81520	• BALL	1	
15	3310-81250	• PIN	1		38	848H708200	• BODY ASSY, air valve	1	
16	3310-81230	• LEVER	1		39	848H7082C0	• RING, packing	2	
17	848H7081T1	• SHAFT	1		40	848H7082B0	• LINK ROD	1	
18	1282-81460	• SPRING	1		41	848GG080D0	• PLUG, cup	1	
19	1145-81540	• SCREW	1						
20	848H7081U1	• VALVE	1						
21	2880-81470	• SCREW	3						
22	1751-81130	• RING	1						
23	1751-81190	• WASHER	1						