

# PARTS LIST

## BRUSHCUTTERS

**BC535DLM**  
**BC535DWM**

**NOTE :**

1. Use KOMATSU ZENOAH genuine parts as specified in the parts list for repair and/or replacement.
2. KOMATSU ZENOAH does not warrant the machines, which have been damaged by the use of any parts other than those specified by the company.
3. When placing parts orders for repair and/or replacement, check if the model name and the serial number are applicable to those specified in the parts list, then use parts number described in the parts list.
4. The contents described in the parts list are accurate as of the date and may change due to improvement.
5. The parts for the machine shall be supplied ten (10) years after the machine is discontinued. [It is possible that some specific parts may be subject to change of their delivery term and list price within the limit of ten (10) years after the machine is discontinued. It is also possible that some parts may be available even after the limit of ten (10) years.]

APPLICABLE SERIAL NUMBERS:

200101 and up

February 2002

Fig.1 CUTTER GROUP

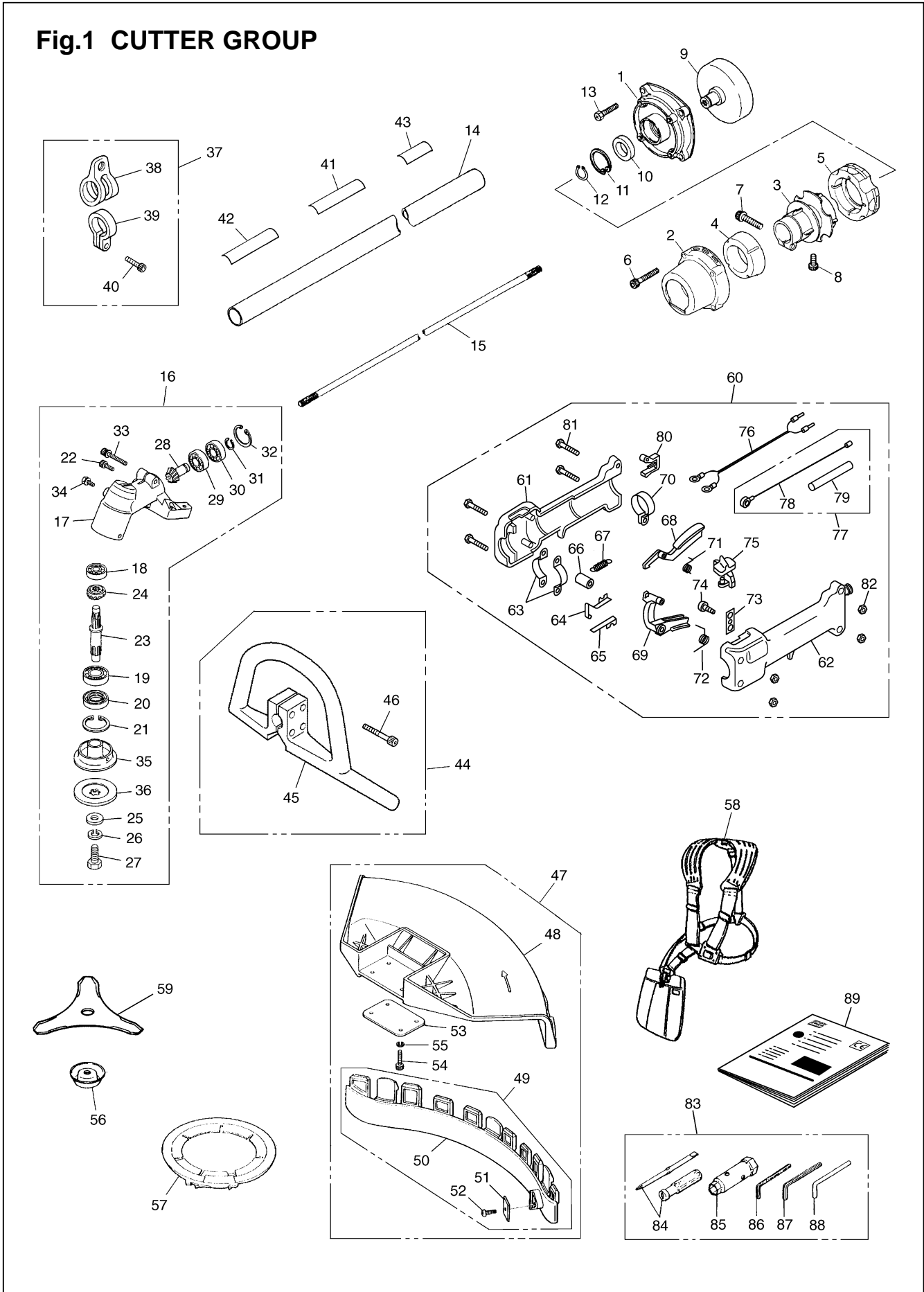


Fig.1 CUTTER GROUP

Key#	PART NUMBER	DESCRIPTION	Q'TY /UNIT	NOTE	Key#	PART NUMBER	DESCRIPTION	Q'TY /UNIT	NOTE
1	4050-11110	HOUSING	1		65	K3300-000020	• PLATE (B)	1	
2	4050-11150	CAP	1		66	K5100-000240	• COLLAR	1	
3	T3042-11210	JOINT	1		67	K5100-000220	• SPRING	1	
4	4050-11250	ABSORBER-F	1		68	K2300-000260	• SAFETY LEVER	1	
5	4050-11260	ABSORBER-R	1		69	K2300-000250	• THROTTLE LEVER	1	
6	01252-30530	BOLT	4		70	K3200-000360	• CLAMP (B)	1	
7	01252-30630	BOLT	1		71	K5100-000230	• SPRING	1	
8	01252-30510	BOLT	1		72	K5100-000210	• SPRING	1	
9	4050-11311	DRUM	1		73	K2300-000270	• PLATE	1	
10	T3149-11350	BEARING	1		74	B1122-C2910H	• SCREW	1	
11	04065-03515	RING	1		75	K2300-000280	• SWITCH	1	
12	04064-01510	RING	1		76	K5200-000090	• CORD	1	
13	3544-11510	BOLT	4		77	K5100-000270	• CABLE COMP	1	
14	T3151-12100	PIPE COMP	1	ø28x1500	78	K5100-000201	•• THROTTLE CABLE	1	
15	6340-12211	SHAFT	1	ø8x1540	79	K5200-000130	•• SLEEVE	1	
16	6562-13000	GEARCASE-ASS'Y	1		80	K2300-000390	• LID	1	
17	6562-13110	• GEARCASE	1		81	B1176-090530	• SCREW	4	
18	06000-06000	• BEARING	1		82	B1181-04054506	• NUT	4	
19	06000-06202	• BEARING	1		83	T3113-91000	TOOL KIT	1	
20	3130-13141	• SEAL	1		84	1030-91340	• DRIVER	1	
21	04065-03515	• RING	1		85	3144-91160	• SOCKET	1	
22	01252-30510	• BOLT	1		86	09007-00425	• WRENCH	1	
23	3540-13212	• SHAFT, gear	1		87	09007-00528	• WRENCH	1	
24	3540-13220	• GEAR	1		88	3540-91110	• BAR	1	
25	01643-31032	• WASHER	1		89	T3153-93110	MANUAL	1	
26	3544-13280	• WASHER	1						
27	3540-13290	• BOLT	1	M10(L)					
28	3540-13311	• PINION	1						
29	06000-06001	• BEARING	1						
30	06001-06001	• BEARING	1						
31	3130-13270	• RING	1						
32	04065-02812	• RING	1						
33	3540-13260	• BOLT	1						
34	0224-40610	• BOLT	1						
35	6251-13240	• HOLDER(A)	1						
36	3540-13251	• HOLDER(B)	1						
37	T3042-17100	HANGER ASSY	1						
38	6520-17110	• HANGER	1						
39	6520-17120	• CLAMP	1						
40	0263-90525	• SCREW	1						
41	T3153-12510	PLATE, name	1						
42	T3153-12590	PLATE, number	1						
43	6425-12552	PLATE, caution	1						
44	T3114-14000	HANDLE ASSY	1						
45	T3114-14110	• HANDLE	1						
46	0263-90530	• SCREW	4						
47	6489-24000	GUARD ASSY	1						
48	6489-24110	• GUARD	1						
49	6489-24200	• PLATE COMP	1						
50	6489-24210	•• PLATE	1						
51	6489-24220	•• BLADE	1						
52	0277-10412	•• SCREW	1						
53	6489-24120	• PLATE	1						
54	01252-30516	• BOLT	4						
55	01601-20513	• WASHER	4						
56	3540-13283	COVER	1						
57	6251-15910	COVER	1						
58	T3163-17200	HARNESS ASSY	1						
59	6298-E3390	SAW	1						
60	T3114-18000	GRIP ASSY	1						
61	K2300-000240	• GRIP (R)	1						
62	K2300-000230	• GRIP (L)	1						
63	K3200-000350	• CLAMP (A)	1						
64	K3300-000010	• PLATE (A)	1						

Fig.2 ENGINE GROUP

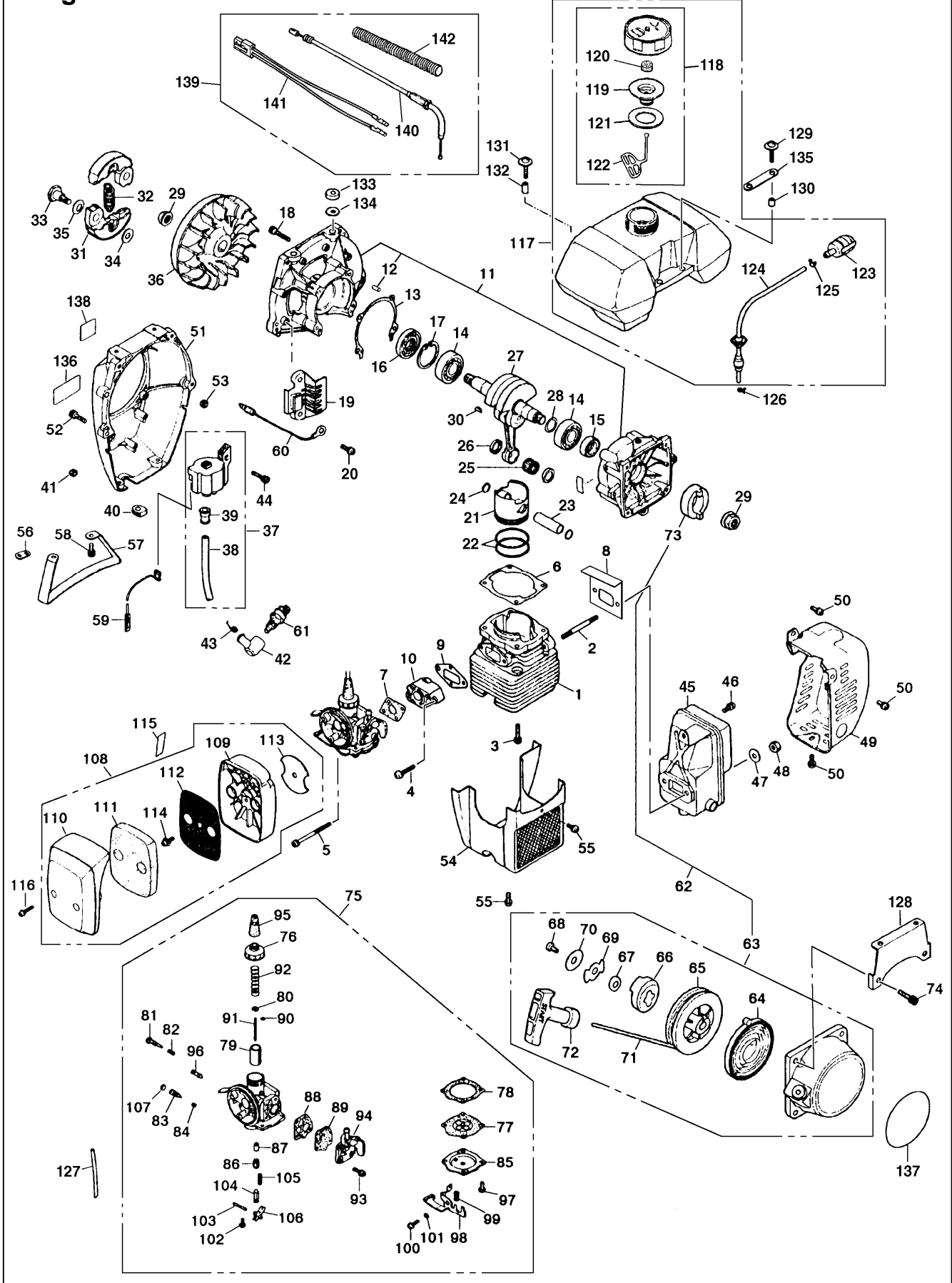


Fig.2 ENGINE GROUP

Key#	PART NUMBER	DESCRIPTION	Q'TY /UNIT	NOTE	Key#	PART NUMBER	DESCRIPTION	Q'TY /UNIT	NOTE
1	1580-12101	CYLINDER	1		72	1400-75170	•• KNOB	1	
2	1580-12150	• STUD	2		73	1487-75211	• PULLEY	1	
3	1850-12130	BOLT	4		74	0263-90520	SCREW	4	
4	0260-30525	SCREW	2		75	1584-81000	CARBURETOR ASS'Y	1	DPW13G-1F
5	0263-90550	SCREW	2		76	1650-81122	• CAP	1	
6	1400-13122	GASKET	1	A	77	1580-81480	• DIAPHRAGM ASS'Y	1	B,C
7	1420-13130	GASKET	1	A	78	1101-81950	• PACKING	1	B,C
8	1580-13140	GASKET	1	A	79	1420-81150	• VALVE	1	
9	1400-13151	GASKET	1	A	80	1335-81070	• RECEIVE	1	
10	1580-13161	INSULATOR	1	A	81	1038-81001-29	• SCREW	1	
11	1400-21100	CRANKCASE COMP	1		82	1650-81260	• SPRING	1	
12	2629-21130	• PIN	3		83	1420-81271	• SCREW	1	
13	1400-21141	GASKET	1	A	84	1420-81370	• SPRING	1	
14	06030-06202	BEARING	2		85	1420-81490	• COVER	1	
15	1520-21220	SEAL	1		86	1420-81420	• HOLDER	1	
16	1400-21220	SEAL	1		87	1420-81410	• JET	1	
17	04065-03515	RING	1		88	1420-81730	• PACKING	1	B,C
18	01252-30530	BOLT	4		89	1420-81720	• PUMP	1	B,C
19	2155-21311	GUARD	1		90	1101-81190	• CLIP	1	
20	0263-90514	SCREW	2		91	1580-81180	• NEEDLE	1	
21	3360-41110	PISTON	1		92	1335-81060	• SPRING	1	
22	3360-41211	RING	2		93	0260-10310	• SCREW	4	
23	3360-41310	PIN	1		94	1422-81800	• COVER ASS'Y	1	
24	3350-41320	RING	2		95	1141-81120	• CAP	1	
25	1400-41410	BEARING	1		96	1130-81170	• VALVE	1	
26	2670-41510	WASHER	2		97	0260-10308	• SCREW	4	
27	1400-42002	CRANKSHAFT COMP	1		98	1420-81510	• LEVER	1	
28	1300-42410	SHIM	0/1		99	1420-81520	• SPRING	1	
29	1400-43230	NUT	2		100	0260-00408	• SCREW	1	
30	1000-43240	KEY	1		101	1420-81530	• COLLAR	1	
31	1075-51113	SHOE	2		102	0260-00306	• SCREW	1	C
32	1075-51220	SPRING	1		103	1100-81461	• PIN	1	C
33	1200-51211	SCREW	2		104	1100-81440	• VALVE	2	C
34	1200-51230	WASHER	2		105	1420-81430	• SPRING	1	C
35	1200-51241	WASHER	2		106	1420-81450	• LEVER	1	C
36	2073-71110	ROTOR	1		107	1420-81620	• PLATE	1	
37	2155-71200	COIL ASS'Y	1		108	1580-82001	CLEANER ASS'Y	1	
38	2155-71220	• CORD	1		109	1400-82113	• BODY	1	
39	2616-71320	• CAP	1		110	1400-82121	• COVER	1	
40	5500-72130	GROMMET	1		111	1418-82130	• ELEMENT	1	
41	1100-72120	GROMMET	1		112	1400-82141	• SCREEN	1	
42	5500-72110	CAP	1		113	1580-82150	• PLATE	1	
43	1900-72120	SPRING	1		114	1580-82160	• SCREW	1	
44	0263-90520	SCREW	2		115	1133-82060	LABEL	1	
45	1400-15111	MUFFLER	1		116	4550-82150	SCREW	2	
46	0263-90512	SCREW	1		117	1439-85001	TANK ASS'Y	1	
47	1140-51230	WASHER	2		118	T1015-85202	• CAP ASS'Y	1	
48	1580-15230	NUT	2		119	4500-85300	•• HOLDER-A	1	
49	1400-15410	COVER	1		120	5601-85260	•• FILTER	1	
50	0263-90512	SCREW	3		121	4500-85220	•• PACKING	1	
51	1400-31113	COVER	1		122	4820-85260	•• STOPPER	1	
52	3310-12281	BOLT	4		123	1435-85401	• FILTER ASS'Y	1	
53	1100-72120	GROMMET	1		124	1421-85400	• PUMP COMP	1	
54	1462-32111	COVER	1		125	1260-85460	• CLIP	1	
55	0263-90512	SCREW	2		126	1063-86130	CLIP	1	
56	1600-86130	CLAMP	1		127	1420-86180	PIPE	1	
57	3540-93110	STAND	1		128	1400-86214	SUPPORT	1	
58	3310-31720	BOLT	2		129	0263-90520	SCREW	2	
59	2155-71240	CORD	1		130	1400-86250	COLLAR	2	
60	2116-71250	CORD, earth	1		131	1460-85850	SCREW	2	
61	5535-73110	SPARK PLUG	1	BPMR6A	132	1400-86260	COLLAR	2	
62	1487-75001	STARTER ASS'Y	1		133	1400-86271	CUSHION	2	
63	1487-75101	• RECOIL ASS'Y	1		134	1400-86280	WASHER	1	
64	1180-75221	•• SPRING	1		135	1580-86290	PLATE	1	
65	1487-75120	•• REEL	1		136	1660-31121	LABEL	1	
66	1487-75140	•• DOG	1		137	1580-75412	LABEL	1	
67	1861-75150	•• WASHER	1		138	2634-31420	LABEL(CE)	1	
68	1483-75270	•• SCREW	1		139	2247-83000	CABLE-A	1	
69	1487-75160	•• RETAINER	1		140	2247-83100	• CABLE-C	1	
70	1487-75170	•• WASHER	1		141	2247-73200	• CORD-C	1	
71	1400-75160	•• ROPE	1		142	2247-73310	• TUBE	1	

A:Components of GASKET KIT, P/N 1580-06010

B:Components of GASKET KIT, P/N 1580-06020

C:Components of CARB, REPAIR KIT, P/N 1580-06030

Fig.3 CUTTER GROUP

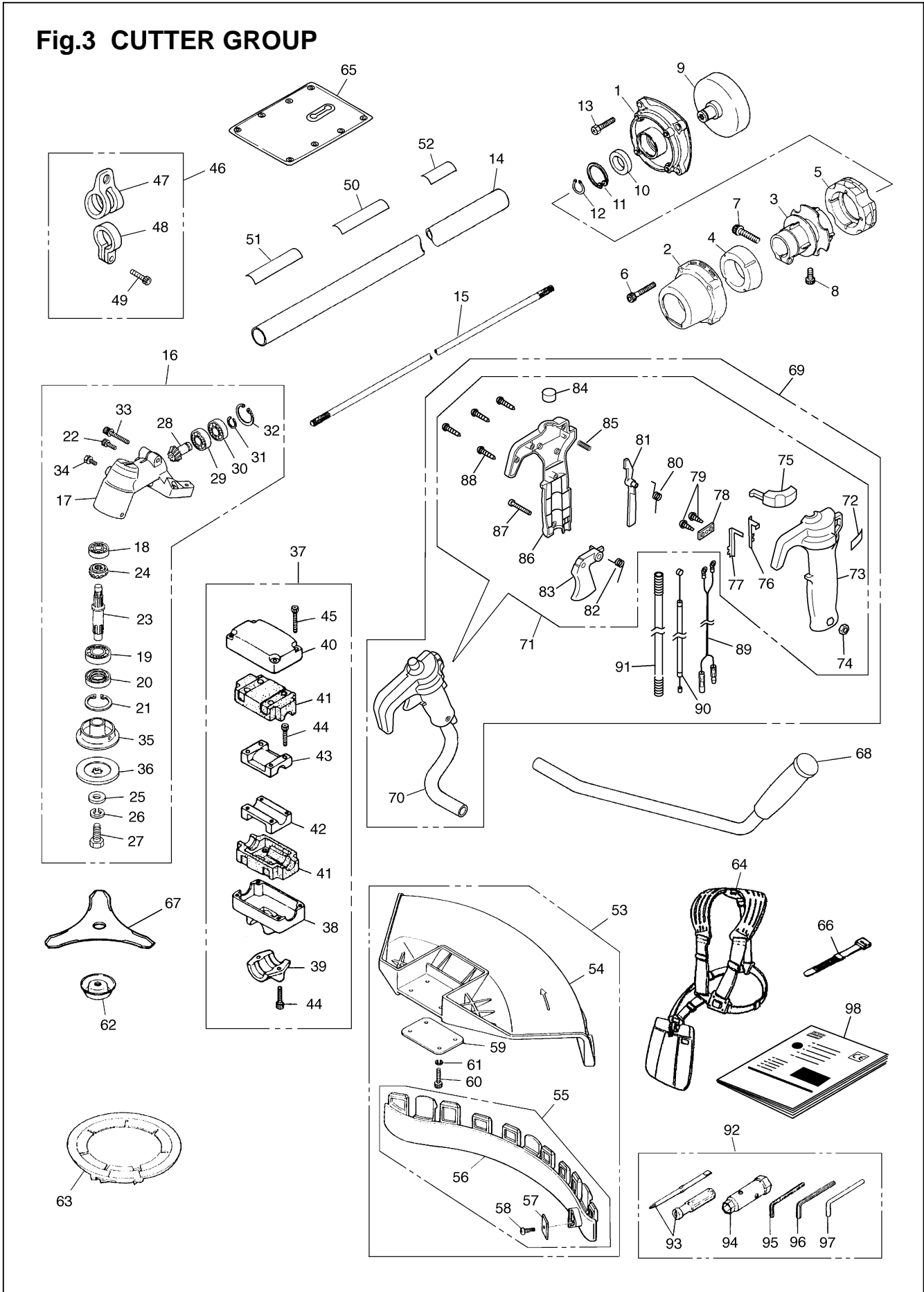


Fig.3 CUTTER GROUP

Key#	PART NUMBER	DESCRIPTION	Q'TY /UNIT	NOTE	Key#	PART NUMBER	DESCRIPTION	Q'TY /UNIT	NOTE
1	4050-11110	HOUSING	1		65	4050-17110	PROTECTOR	1	
2	4050-11150	CAP	1		66	3540-93120	BAND		
3	T3042-11210	JOINT	1		67	6298-E3390	SAW	1	
4	4050-11250	ABSORBER-F	1		68	T3111-14300	HANDLE-L COMP	1	
5	4050-11260	ABSORBER-R	1		69	T3117-14100	HANDLE-R COMP	1	
6	01252-30530	BOLT	4		70	T3111-14110	• HANDLE-R	1	
7	01252-30630	BOLT	1		71	K6010-000550	• GRIP&LEV, COMP	1	
8	01252-30510	BOLT	1		72	K2200-000040	•• LABEL	1	
9	4050-11311	DRUM	1		73	K2300-000050	•• GRIP (L)	1	
10	T3149-11350	BEARING	1		74	B1181-040545	•• NUT	1	
11	04065-03515	RING	1		75	K2300-000080	•• SWITCH	1	
12	04064-01510	RING	1		76	K5100-000030	•• SPRING	1	
13	3544-11510	BOLT	4		77	K5100-000040	•• SPRING	1	
14	T3151-12100	PIPE COMP	1	ø28x1500	78	K2300-000090	•• HOLDER	1	
15	6340-12211	SHAFT	1	ø8x1540	79	B1122-C2910H	•• SCREW, M3x10	2	Tapping
16	6562-13000	GEARCASE-ASS'Y	1		80	K5100-000020	•• SPRING	1	
17	6562-13110	• GEARCASE	1		81	K2300-000070	•• LEVER	1	
18	06000-06000	• BEARING	1		82	K5100-000010	•• SPRING	1	
19	06000-06202	• BEARING	1		83	K2300-000060	•• LEVER	1	
20	3130-13141	• SEAL	1		84	K1300-000060	•• PLUG	1	
21	04065-03515	• RING	1		85	K5100-000050	•• SPRING	1	
22	01252-30510	• BOLT	1		86	K2300-000040	•• GRIP (R)	1	
23	3540-13212	• SHAFT, gear	1		87	B1111-A0530H	•• SCREW, M5x30	1	
24	3540-13220	• GEAR	1		88	B1122-C4220H	•• SCREW, M4x20	5	Tapping
25	01643-31032	• WASHER	1		89	K5200-000070	• CORD	1	
26	3544-13280	• WASHER	1		90	K5100-000140	• CABLE	1	
27	3540-13290	• BOLT	1		91	K5200-000080	• TUBE	1	
28	3540-13311	• PINION	1		92	T3113-91000	TOOL KIT	1	
29	06000-06001	• BEARING	1		93	1030-91340	• DRIVER	1	
30	06001-06001	• BEARING	1		94	3144-91160	• SOCKET	1	
31	3130-13270	• RING	1		95	09007-00425	• WRENCH	1	
32	04065-02812	• RING	1		96	09007-00528	• WRENCH	1	
33	3540-13260	• BOLT	1		97	3540-91110	• BAR	1	
34	0224-40610	• BOLT	1		98	T3153-93110	MANUAL	1	
35	6251-13240	• HOLDER(A)	1						
36	3540-13251	• HOLDER(B)	1						
37	3540-14900	BRACKET-ASS'Y	1						
38	3540-14910	• BRACKET	1						
39	3540-14920	• CAP-L	1						
40	3540-14930	• CAP-U	1						
41	3540-14140	• ABSORBER	2						
42	3540-14150	• CLAMP-A	1						
43	3540-14160	• CLAMP-B	1						
44	01252-30525	• BOLT	6						
45	01252-30530	• BOLT	4						
46	T3042-17100	HANGER ASSY	1						
47	6520-17110	• HANGER	1						
48	6520-17120	• CLAMP	1						
49	0263-90525	• SCREW	1						
50	T3154-12510	PLATE, name	1						
51	T3154-12590	PLATE, number	1						
52	6425-12552	PLATE, caution	1						
53	6489-24000	GUARD ASSY	1						
54	6489-24110	• GUARD	1						
55	6489-24200	• PLATE COMP	1						
56	6489-24210	•• PLATE	1						
57	6489-24220	•• BLADE	1						
58	0277-10412	•• SCREW	1						
59	6489-24120	• PLATE	1						
60	01252-30516	• BOLT	4						
61	01601-20513	• WASHER	4						
62	3540-13283	COVER	1						
63	6251-15910	COVER	1						
64	T3163-17200	HARNES ASSY	1						

Fig.4 ENGINE GROUP

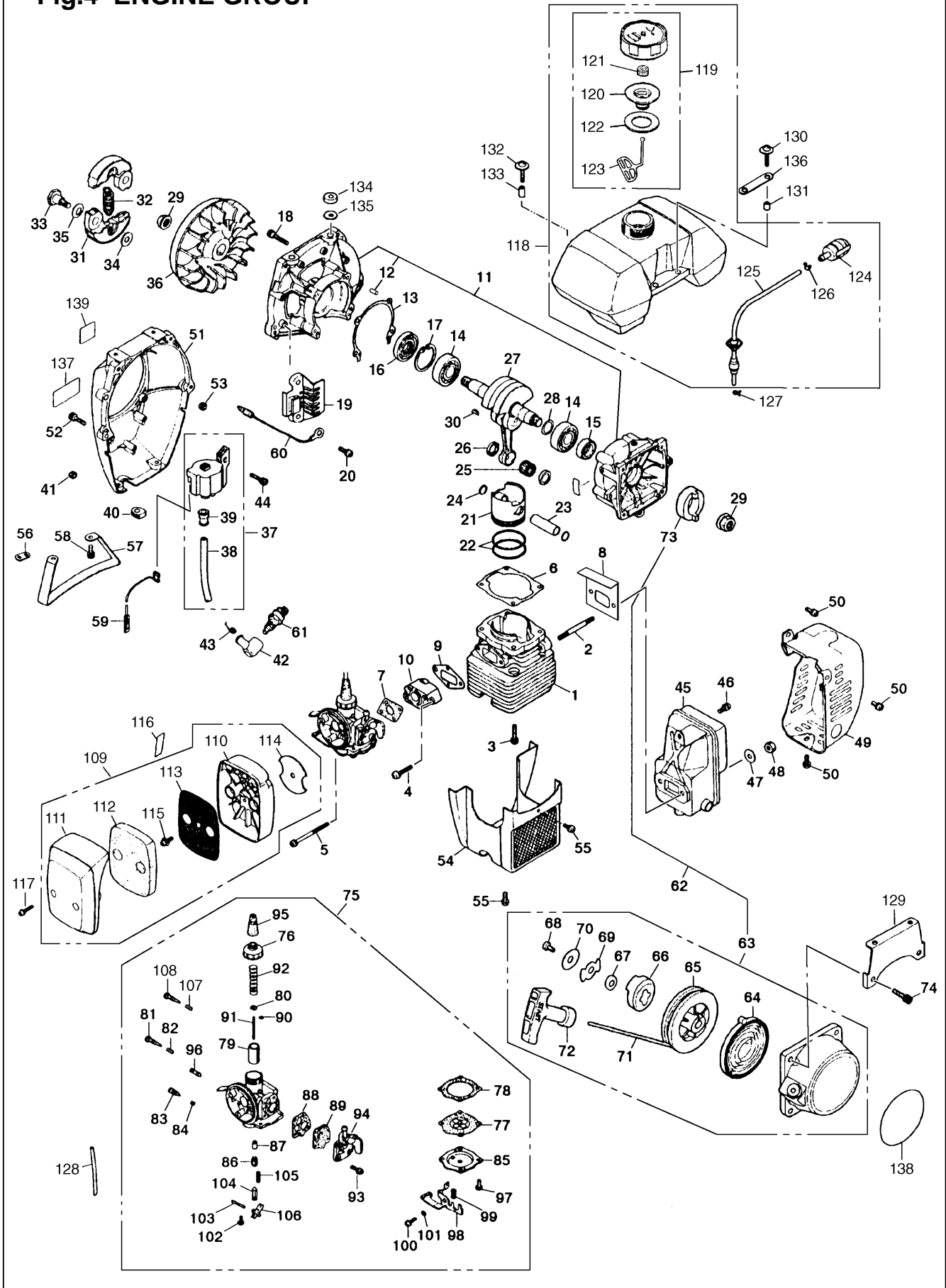




Fig.4 ENGINE GROUP

Key#	PART NUMBER	DESCRIPTION	Q'TY /UNIT	NOTE	Key#	PART NUMBER	DESCRIPTION	Q'TY /UNIT	NOTE
1	1580-12101	CYLINDER	1		72	1400-75170	•• KNOB	1	
2	1580-12150	• STUD	2		73	1487-75211	• PULLEY	1	
3	1850-12130	BOLT	4		74	0263-90520	SCREW	4	
4	0260-30525	SCREW	2		75	1572-81000	CARBURETOR ASS'Y	1	DPW13G-1H
5	0263-90550	SCREW	2		76	1650-81122	• CAP	1	
6	1400-13122	GASKET	1	A	77	1580-81480	• DIAPHRAGM ASS'Y	1	B,C
7	1420-13130	GASKET	1	A	78	1101-81950	• PACKING	1	B,C
8	1580-13140	GASKET	1	A	79	1420-81150	• VALVE	1	
9	1400-13151	GASKET	1	A	80	1335-81070	• RECEIVE	1	
10	1580-13161	INSULATOR	1	A	81	1038-81001-29	• SCREW	1	
11	1400-21100	CRANKCASE COMP	1		82	1650-81260	• SPRING	1	
12	2629-21130	• PIN	3		83	1572-81270	• SCREW	1	
13	1400-21141	GASKET	1	A	84	1420-81370	• SPRING	1	
14	06030-06202	BEARING	2		85	1420-81490	• COVER	1	
15	1520-21220	SEAL	1		86	1420-81420	• HOLDER	1	
16	1400-21220	SEAL	1		87	1420-81410	• JET	1	
17	04065-03515	RING	1		88	1420-81730	• PACKING	1	B,C
18	01252-30530	BOLT	4		89	1420-81720	• PUMP	1	B,C
19	2155-21311	GURAD	1		90	1101-81190	• CLIP	1	
20	0263-90514	SCREW	2		91	1420-81180	• NEEDLE	1	
21	3360-41110	PISTON	1		92	1335-81060	• SPRING	1	
22	3360-41211	RING	2		93	0260-10310	• SCREW	4	
23	3360-41310	PIN	1		94	1422-81800	• COVER ASS'Y	1	
24	3350-41320	RING	2		95	1141-81120	• CAP	1	
25	1400-41410	BEARING	1		96	1130-81170	• VALVE	1	
26	2670-41510	WASHER	2		97	0260-10308	• SCREW	4	
27	1400-42002	CRANKSHAFT COMP	1		98	1420-81510	• LEVER	1	
28	1300-42410	SHIM	0/1		99	1420-81520	• SPRING	1	
29	1400-43230	NUT	2		100	0260-00408	• SCREW	1	
30	1000-43240	KEY	1		101	1420-81530	• COLLAR	1	
31	1075-51113	SHOE	2		102	0260-00306	• SCREW	1	C
32	1075-51220	SPRING	1		103	1100-81461	• PIN	1	C
33	1200-51211	SCREW	2		104	1100-81440	• VALVE	1	C
34	1200-51230	WASHER	2		105	1420-81430	• SPRING	1	C
35	1200-51241	WASHER	2		106	1420-81450	• LEVER	1	C
36	2073-71110	ROTOR	1		107	1100-81340	• SPRING	1	
37	2155-71200	COIL ASS'Y	1		108	5580-81910	• AIR SCREW	1	
38	2155-71220	• CORD	1		109	1580-82001	CLEANER ASS'Y	1	
39	2616-71320	• CAP	1		110	1400-82113	• BODY	1	
40	5500-72130	GROMMET	1		111	1400-82121	• COVER	1	
41	1100-72120	GROMMET	1		112	1418-82130	• ELEMENT	1	
42	5500-72110	CAP	1		113	1400-82141	• SCREEN	1	
43	1900-72120	SPRING	1		114	1580-82150	• PLATE	1	
44	0263-90520	SCREW	2		115	1580-82160	• SCREW	1	
45	1400-15111	MUFFLER	1		116	1133-82060	LABEL	1	
46	0263-90512	SCREW	1		117	4550-82150	SCREW	2	
47	1140-51230	WASHER	2		118	1439-85001	TANK ASS'Y	1	
48	1580-15230	NUT	2		119	T1015-85202	• CAP ASS'Y	1	
49	1400-15410	COVER	1		120	4500-85300	•• HOLDER-A	1	
50	0263-90512	SCREW	3		121	5601-85260	•• FILTER	1	
51	1400-31113	COVER	1		122	4500-85220	•• PACKING	1	
52	3310-12281	BOLT	4		123	4820-85260	•• STOPPER	1	
53	1100-72120	GROMMET	1		124	1435-85401	• FILTER ASS'Y	1	
54	1462-32111	COVER	1		125	1421-85400	• PUMP COMP	1	
55	0263-90512	SCREW	2		126	1260-85460	• CLIP	1	
56	1600-86130	CLAMP	1		127	1063-86130	CLIP	1	
57	3540-93110	STAND	1		128	1420-86180	PIPE	1	
58	3310-31720	BOLT	2		129	1400-86214	SUPPORT	1	
59	2155-71240	CORD	1		130	0263-90520	SCREW	2	
60	2116-71250	CORD, earth	1		131	1400-86250	COLLAR	2	
61	5535-73110	SPARK PLUG	1	BPMR6A	132	1460-85850	SCREW	2	
62	1487-75001	STARTER ASS'Y	1		133	1400-86260	COLLAR	2	
63	1487-75101	• RECOIL ASS'Y	1		134	1400-86271	CUSHION	2	
64	1180-75221	•• SPRING	1		135	1400-86280	WASHER	1	
65	1487-75120	•• REEL	1		136	1580-86290	PLATE	1	
66	1487-75140	•• DOG	1		137	1660-31121	LABEL	1	
67	1861-75150	•• WASHER	1		138	1580-75412	LABEL	1	
68	1483-75270	•• SCREW	1		139	2634-31420	LABEL(CE)	1	
69	1487-75160	•• RETAINER	1						
70	1487-75170	•• WASHER	1						
71	1400-75160	•• ROPE	1						

A:Components of GASKET KIT, P/N 1580-06010

B:Components of GASKET KIT, P/N 1580-06020

C:Components of CARB, REPAIR KIT, P/N 1580-06030



# **KOMATSU ZENOA CO.**

1-9 Minamidai, Kawagoe, Saitama, 350-1192 Japan

---

PRINTED IN JAPAN

PRINTED ON RECYCLED PAPER  
IMPRIMÉ SUR PAPIER RECYCLÉ  
GEDRUCKT AUF RECYCLING PAPIER  
STAMPATO SU CARTA RICICLATA  
IMPRESO EN PAPEL RECICLADO