



PARTS LIST

BRUSHCUTTERS

BC2201DL

NOTE :

1. Use KOMATSU ZENOAH genuine parts as specified in the parts list for repair and/or replacement.
2. KOMATSU ZENOAH does not warrant the machines, which have been damaged by the use of any parts other than those specified by the company.
3. When placing parts orders for repair and/or replacement, check if the model name and the serial number are applicable to those specified in the parts list, then use parts number described in the parts list.
4. The contents described in the parts list are accurate as of the date and may change due to improvement.
5. The parts for the machine shall be supplied ten (10) years after the machine is discontinued. [It is possible that some specific parts may be subject to change of their delivery term and list price within the limit of ten (10) years after the machine is discontinued. It is also possible that some parts may be available even after the limit of ten (10) years.]

APPLICABLE SERIAL NUMBERS:

100101 and up

January 2001

Fig.1 CUTTER GROUP

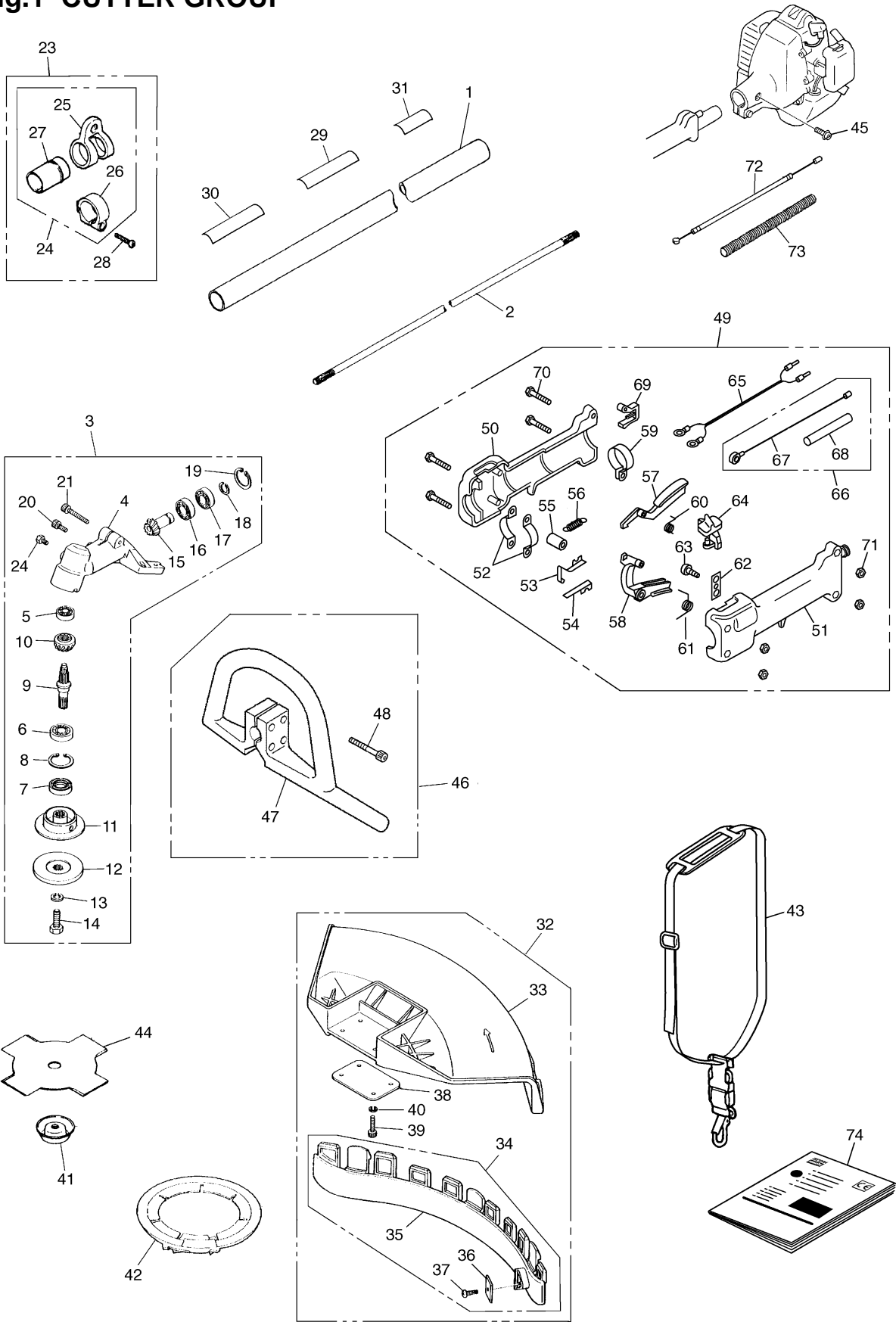


Fig.1 CUTTER GROUP

Key#	PART NUMBER	DESCRIPTION	Q'TY /UNIT	NOTE	Key#	PART NUMBER	DESCRIPTION	Q'TY /UNIT	NOTE
1	T3109-11300	PIPE COMP 1500x24xT1.5	1		65	K5200-000090	• CORD	1	
2	3520-12212	SHAFT, spline ϕ 7x7teeth	1	1536x7	66	K5100-000270	• CABLE COMP	1	
3	T3109-13000	GEARCASE ASSY	1		67	K5100-000201	•• THROTTLE CABLE	1	
4	6489-13110	• GEARCASE	1		68	K5200-000130	•• SLEEVE	1	
5	06000-00626	• BEARING	1		69	K2300-000390	• LID	1	
6	06000-06000	• BEARING	1		70	B1176-090530	• SCREW	4	
7	3565-13130	• SEAL	1		71	B1181-040545106	• NUT	4	
8	04065-02612	• RING	1		72	T3109-83100	CABLE COMP.	1	
9	6440-13211	• SHAFT	1		73	T3109-83310	TUBE	1	
10	6440-13220	• GEAR	1		74	T3109-93110	MANUAL	1	
11	6423-13241	• HOLDER(A)	1						
12	6423-13250	• HOLDER(B)	1						
13	3560-13290	• WASHER	1						
14	3560-13261	• BOLT	1	M7x25(L)					
15	T3002-13310	• PINION	1						
16	06000-00609	• BEARING	1						
17	06001-00609	• BEARING	1						
18	T3300-13330	• RING	1						
19	04065-02412	• RING	1						
20	01252-30510	• BOLT	1						
21	3350-21320	• BOLT	1	M5x30					
22	0224-40610	• BOLT	1						
23	6420-17300	HANGER ASSY	1						
24	6420-17400	• HANGER COMP	1						
25	9366-17110	•• HANGER	1						
26	9366-17120	•• CLUMP	1						
27	6420-17410	•• SLEEVE	1						
28	0263-90525	• SCREW	1						
29	T3109-12510	PLATE NAME	1						
30	6425-12552	PLATE CAUTION	1						
31	T3109-12590	No.PLATE	1						
32	6489-24000	GUARD ASSY	1						
33	6489-24110	• GUARD	1						
34	6489-24200	• PLATE COMP	1						
35	6489-24210	•• PLATE	1						
36	6489-24220	•• BLADE	1						
37	0277-10412	•• SCREW	1						
38	6489-24120	• PLATE	1						
39	01252-30516	• BOLT	4						
40	01601-20513	• WASHER	4						
41	3560-13284	COVER(BOLT)	1						
42	6251-15910	COVER(BLADE)	1						
43	T3300-17100	STRAP ASSY	1						
44	6298-14243	SAW	1						
45	5883-32160	SCREW	1						
46	T3110-14000	HANDLE ASSY	1						
47	T3110-14110	• HANDLE	1						
48	0263-90530	• SCREW	4						
49	K6010-000450	GRIP ASSY	1						
50	K2300-000240	• GRIP (R)	1						
51	K2300-000230	• GRIP (L)	1						
52	K3200-000370	• CLAMP (A)	1						
53	K3300-000010	• PLATE (A)	1						
54	K3300-000020	• PLATE (B)	1						
55	K5100-000240	• COLLAR	1						
56	K5100-000220	• SPRING	1						
57	K2300-000260	• SAFETY LEVER	1						
58	K2300-000250	• THROTTLE LEVER	1						
59	K3200-000380	• CLAMP (B)	1						
60	K5100-000230	• SPRING	1						
61	K5100-000260	• SPRING	1						
62	K2300-000270	• PLATE	1						
63	B1122-C2910H	• SCREW	1						
64	K2300-000280	• SWITCH	1						

Fig.2 ENGINE GROUP

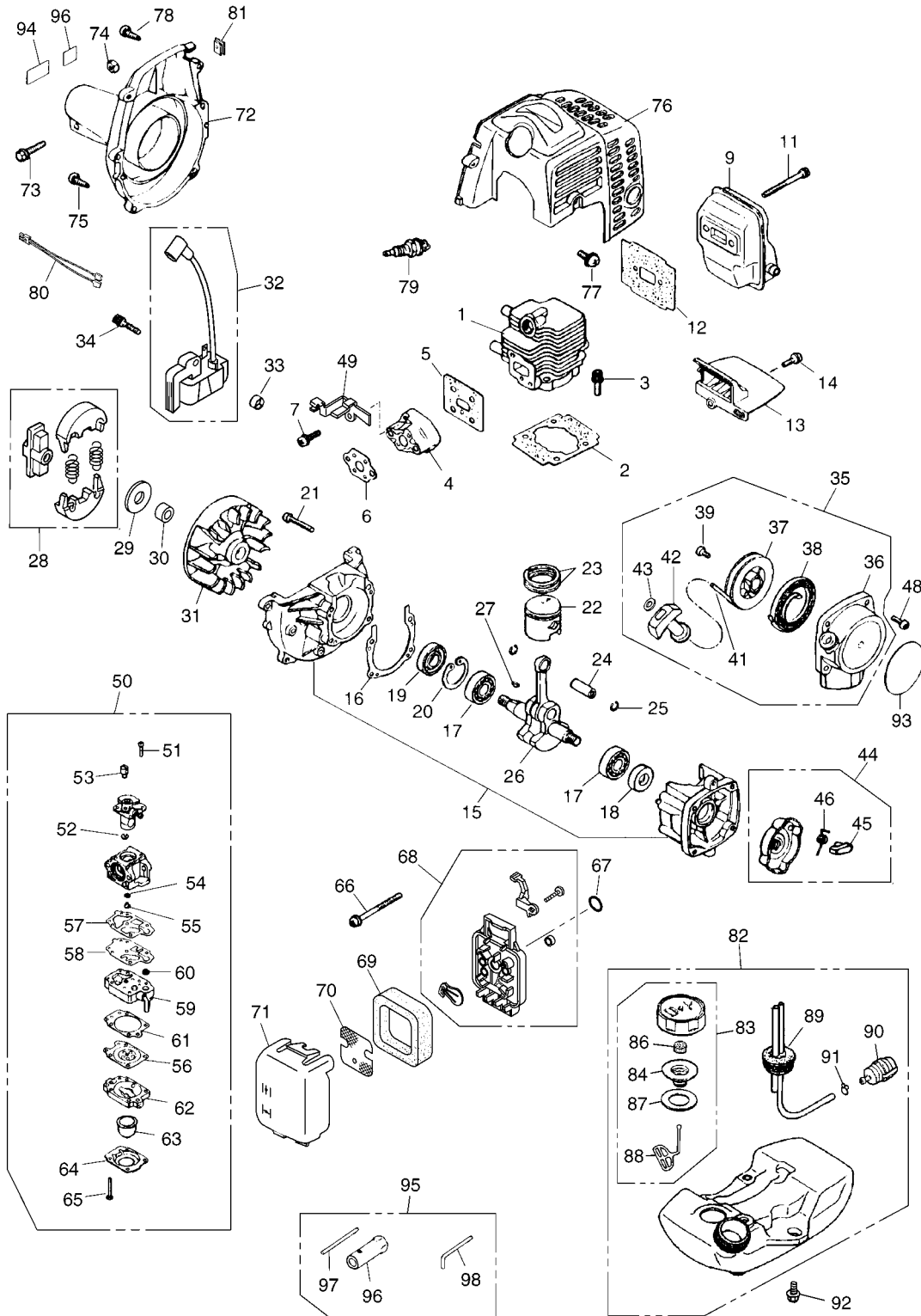


Fig.2 ENGINE GROUP

Key#	PART NUMBER	DESCRIPTION	Q'TY /UNIT	NOTE	Key#	PART NUMBER	DESCRIPTION	Q'TY /UNIT	NOTE
1	5850-12110	CYLINDER	1		65	1850-81530	• SCREW	4	
2	5500-12213	GASKET, base	1		66	5850-82310	SCREW	2	
3	1850-12130	BOLT	2		67	5850-83110	O-RING	1	
4	5500-13163	INSULATOR	1		68	5850-82100	BODY ASSY	1	
5	5500-13121	GASKET, insulator	1		69	5850-82170	ELEMENT	1	
6	5500-13131	GASKET, carburetor	1		70	5850-82180	SCREEN	1	
7	5850-13210	SCREW	2		71	5850-82200	COVER	1	
9	5850-15110	MUFFLER	1		72	5851-31100	HOUSING COMP	1	
11	5850-15130	BOLT	2		73	0225-30635	BOLT	1	
12	5500-15210	GASKET, muffler	1		74	0280-10605	NUT	1	
13	5500-15221	PLATE, muffler	1		75	5850-13210	SCREW	4	
14	5850-15230	SCREW	1		76	5850-32110	COVER, engine	1	
15	5850-21100	CRANKCASE COMP	1		77	5850-15230	SCREW	1	
16	5500-21141	GASKET, case	1		78	5850-32170	SCREW	2	
17	06030-06001	BEARING	2		79	5602-73110	SPARKPLUG	1	RCJ-6Y
18	2169-21210	OIL SEAL	1		80	5883-73200	CORD COMP	1	
19	1850-21220	OIL SEAL	1		81	1852-72121	GROMMET	1	
20	04065-02812	SNAP RING	1		82	5504-85004	TANK ASSY	1	
21	01252-30530	SCREW	4		83	5607-85201	• CAP-ASSY	1	
22	5600-41111	PISTON	1		84	5601-85300	•• HOLDER ASSY	1	
23	1100-41210	RING	2		86	5601-85260	•• FILTER	1	
24	1101-41310	PIN	1		87	5500-85220	•• PACKING	1	
25	1260-41320	SNAP RING	2		88	4820-85260	•• STOPPER	1	
26	5850-42000	CRANKSHAFT COMP	1		89	5500-85300	• PIPE-C	1	
27	1000-43240	KEY	1		90	5500-85400	• FILTER	1	
28	5882-51201	SHOE COMP	1		91	1260-85460	• CLIP	1	
29	5882-51310	WASHER	1		92	5850-85510	SCREW	3	
30	1260-71261	SPACER	1		93	5851-91121	LABEL, recoil	1	
31	5850-71111	ROTOR	1		94	5504-91130	LABEL, housing	1	
32	5850-71200	COIL ASSY	1		95	5850-91000	TOOL SET	1	
33	1260-71261	SPACER	2		96	3239-91310	• SOCKET	1	
34	5850-72160	SCREW	2		97	3582-91330	• BAR	1	
35	5500-75100	RECOIL ASSY	1		98	3540-91110	• BAR	1	
36	5500-75110	• CASE COMP	1		99	2634-31420	LABEL(CE)	1	
37	1850-75120	• REEL	1						
38	1850-75130	• SPIRING, spairal	1						
39	1850-75151	• SCREW	1						
41	1850-75160	• ROPE	1						
42	1140-75320	• KNOB	1						
43	5500-75170	• WASHER	1						
44	1850-75201	PULLY ASSY	1						
45	1850-75221	• RATCHET	1						
46	1850-75230	• SPIRING	1						
48	5850-15230	SCREW	4						
49	5850-83220	BRACKET	1						
50	5850-81000	CARBURETOR ASSY	1	WYL-123					
51	5850-81110	• SCREW	1						
52	1751-81130	• RING	1						
53	1881-81140	• SWIVEL	1						
54	1751-81240	• O-RING	1						
55	5516-81250	• JET #38	1						
56	3310-81260	• DIAPHRAGM	1						
57	1065-81410	• GASKET, pump	1						
58	1065-81420	• DIAPHRAGM, pump	1						
59	1850-81450	• BODY, ASSY	1						
60	3306-81380	•• SCREEN	1						
61	1850-81470	• GASKET, diaphragm	1						
62	1850-81490	• BODY, purge	1						
63	1751-81510	• PUMP, priming	1						
64	1850-81520	• COVER, pump	1						