

PARTS LIST

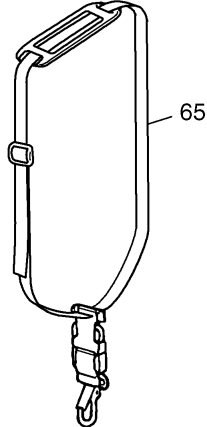
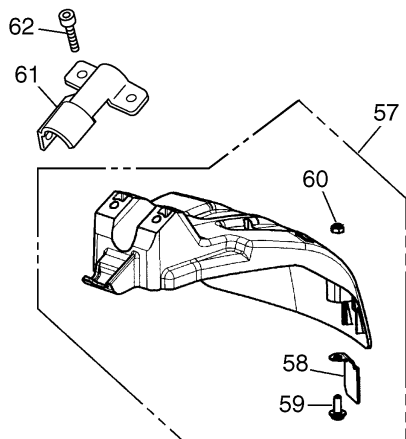
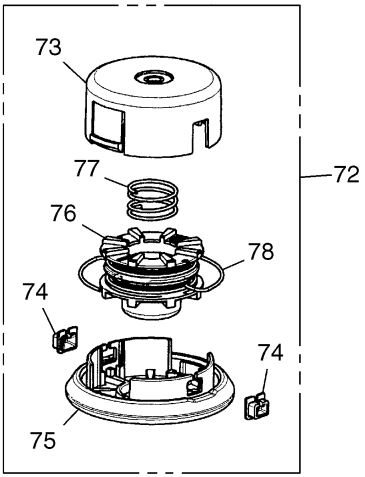
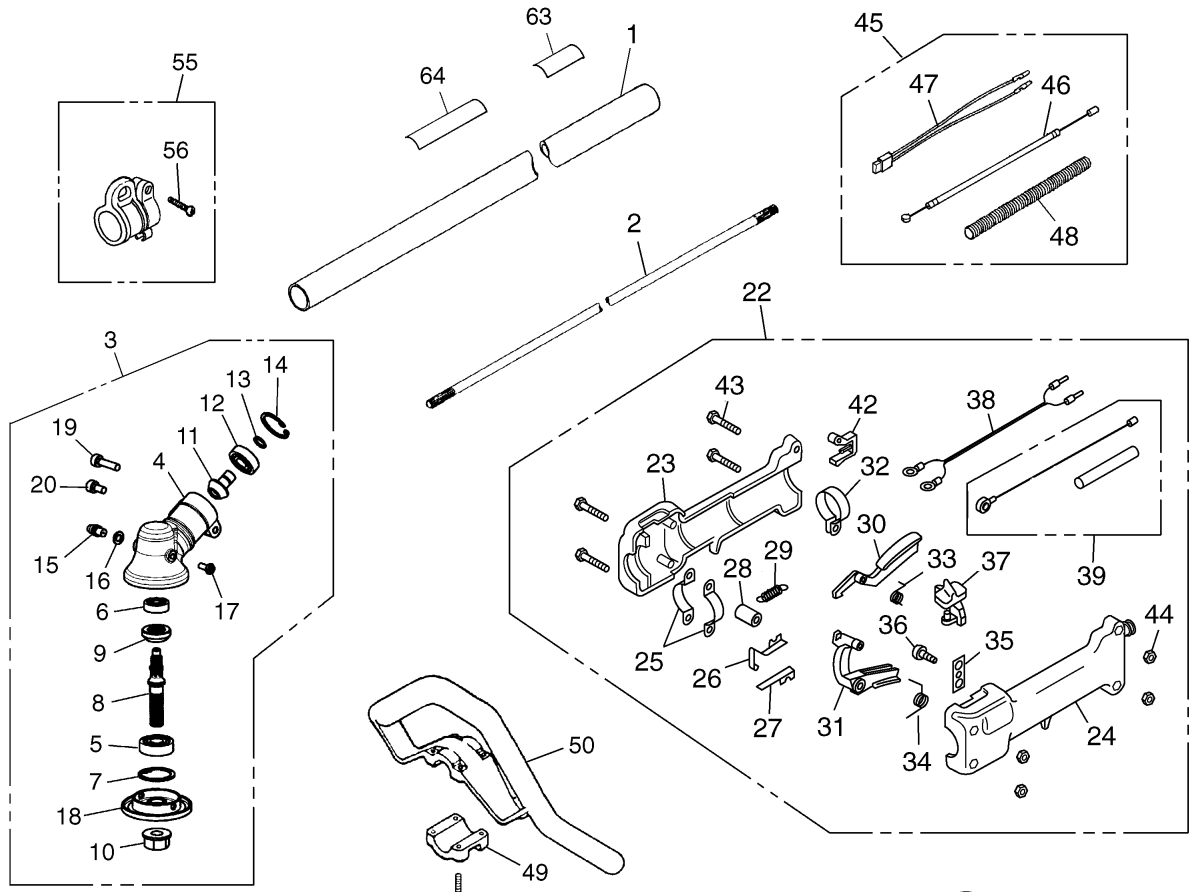
BRUSHCUTTERS

BC2003
TR2002

NOTE :

1. Use KOMATSU ZENOAH genuine parts specified in the parts list for repair and/or replacement.
2. KOMATSU ZENOAH does not warrant the machines, those which have been damaged by the use of any parts other than those specified by the company.
3. When placing orders of parts for repair and/or replacement, check if the model name and the serial number are suitable to those specified in the parts list, then use parts number described in the parts list.
4. The contents described in the parts list may change due to improvement.
5. The parts for the machine shall be supplied within ten (10) years after the machine is discontinued.
[It is possible that some specific parts may be subject to change of their delivery term and list price within the limit of ten (10) years after the machine is discontinued. And it is also possible that some parts may be available even after the limit of ten (10) years.]

Fig.1 CUTTER GROUP



OPTION

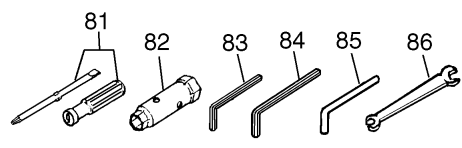
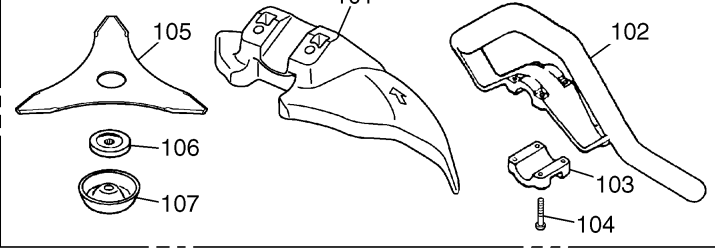


Fig.1 CUTTER GROUP

Key#	PART NUMBER	DESCRIPTION	Q'TY /UNIT	NOTE	Key#	PART NUMBER	DESCRIPTION	Q'TY /UNIT	NOTE
1	848BG25810	PIPE COMP.	1		55	T3300-17202	HANGER COMP	1	
2	T3400-12211	SHAFT	1		56	0263-90520	• SCREW	1	
3	T3339-13000	GEARCASE ASSY	1		57	T3338-24100	GUARD ASSY	1	
4	848B2062A0	• GEARCASE (T3300-91320)	1		58	6041-24140	• BLADE	1	
5	06004-06000	• BEARING	1		59	0263-90516	• SCREW TORX	2	
6	06000-00626	• BEARING	1		60	3320-15310	• NUT	2	
7	04065-02612	• RING	1		61	T3338-24120	CLAMP	1	
8	T3195-13210	• SHAFT	1		62	01252-30630	BOLT	2	
9	T3300-93250	• GEAR	1		63	848J5J90R0	PLATE, name	1	
10	T3002-13260	• NUT	1		64	6425-12552	PLATE, caution	1	
11	T3300-93310	• PINION	1		65	T3300-17100	HARNESS ASSY	1	
12	06001-00609	• BEARING	1		72	T3189-15102	TAP HEAD COMP.	1	
13	3210-13330	• RING	1		73	T3189-15112	• CASE	1	
14	04065-02412	• RING	1		74	T3189-15191	• EYELET	2	
15	3199-13350	• FITTING	1		75	T3189-15132	• COVER	1	
16	01641-20608	• WASHER	1		76	T3189-15142	• CORD HOLDER	1	
17	0225-00410	• BOLT	1		77	T3189-15160	• SPRING	1	
18	T3300-91340	• HOLDER (A)	1		78	T3189-15180	• CORD	1	
19	01252-30520	• BOLT	1		81	1030-91340	DRIVER	1	
20	01252-30512	• BOLT	1		82	3144-91160	SOCKET	1	
22	T3110-18000	GRIP ASSY	1	ø24	83	09007-00425	WRENCH	1	
23	K2300-000240	• GRIP (R)	1		84	09007-00528	WRENCH	1	
24	K2300-000230	• GRIP (L)	1		85	3540-91110	BAR	1	
25	K3200-000370	• CLAMP (A)	2		86	3540-91120	SPANNER	1	
26	K3300-000010	• PLATE (A)	1		100	BC00A21	BLADE KIT	1	OP
27	K3300-000020	• PLATE (B)	1		101	T3246-24110	• Guard (for Metal Blade)	1	OP
28	K5100-000240	• COLLAR	1		102	6489-14300	• Handle comp. (with Barrier)	1	OP
29	K5100-000220	• SPRING	1		103	6420-14320	• Clamp	1	OP
30	K2300-000260	• SAFETY LEVER	1		104	0263-90535	• Screw	4	OP
31	K2300-000250	• THROTTLE LEVER	1		105	8488Z23010	• Blade (ø250x1.8mm 3Teeth Blade)	1	OP
32	K3200-000380	• CLAMP(B)	1		106	6423-13250	• Holder (B)	1	OP
33	K5100-000230	• SPRING	1		107	3540-13283	• Cover (ø10mm Center Hole)	1	OP
34	K5100-000210	• SPRING	1						
35	K2300-000270	• PLATE	1						
36	B1122-C2910H	• SCREW	1	M3x10					
37	K2300-000280	• SWITCH	1						
38	K5200-000090	• CORD	1						
39	K5100-000270	• CABLE COMP.	1						
42	K2300-000390	• LID	1						
43	B1176-090530	• BOLT	4						
44	B1181-04054506	• NUT	4						
45	5548-83000	CABLE ASSY	1						
46	5548-83100	• CABLE COMP.	1						
47	5548-73200	• CORD COMP.	1						
48	5548-73310	• TUBE	1						
49	6420-14320	CLAMP	1						
50	6489-14300	HANDLE COMP.	1						
51	0263-90535	SCREW	4						

Fig.2 ENGINE GROUP

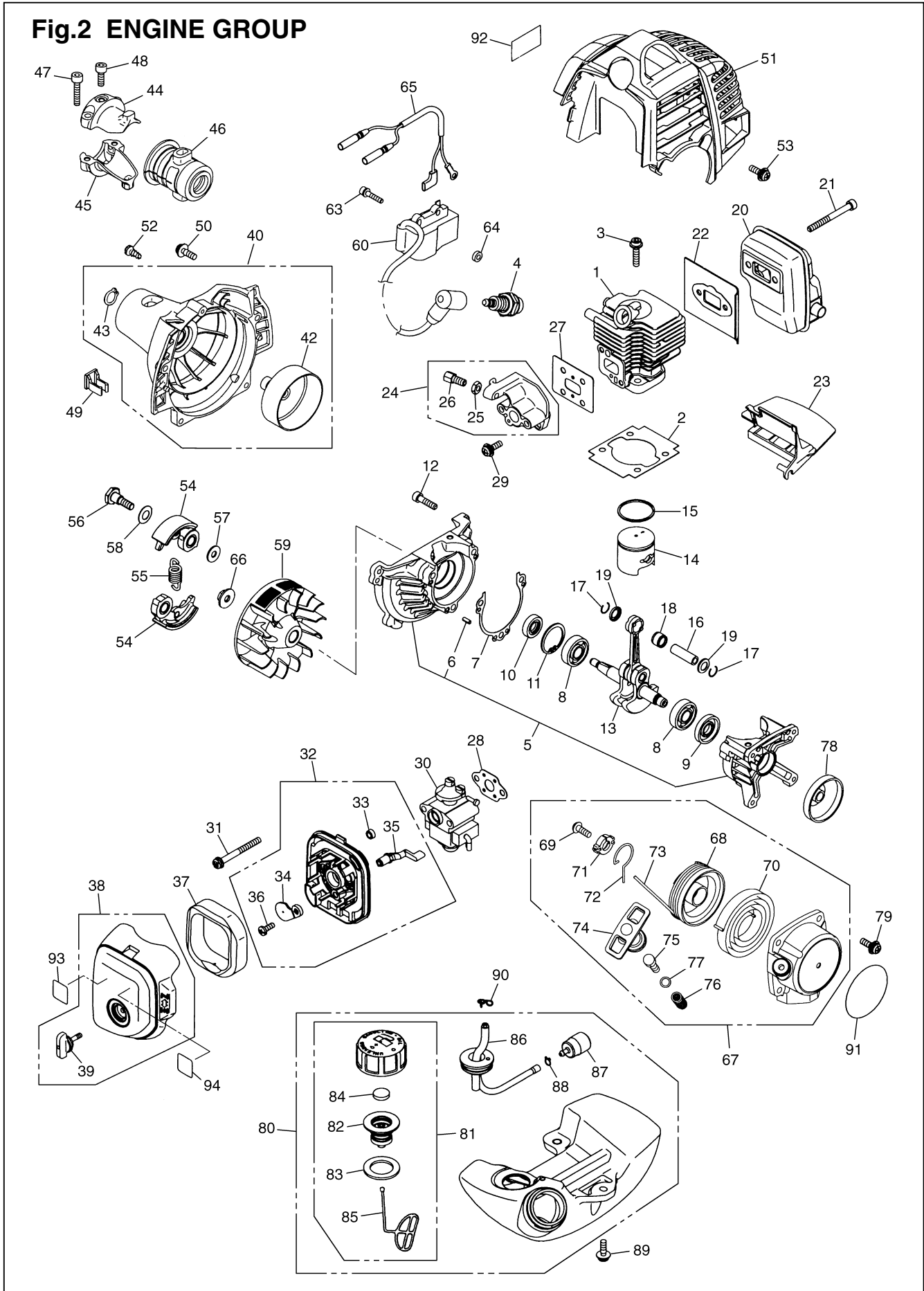


Fig.2 ENGINE GROUP

Key#	PART NUMBER	DESCRIPTION	Q'TY /UNIT	NOTE	Key#	PART NUMBER	DESCRIPTION	Q'TY /UNIT	NOTE
1	848E3Y12A0	CYLINDER	1		51	848E3Y31A1	COVER, ENGINE	1	
2	T1600-12210	GASKET	1		52	0263-90510	SCREW	1	
3	1850-12130	BOLT	2	M5x22	53	5500-85510	SCREW	2	M5x16
4	3699-90332	PLUG	1	BPMR7A	54	T1600-51110	SHOE	2	
5	T1600-21100	CRANKCASE COMP.	1		55	T1600-51220	SPRING	1	
6	2629-21130	• PIN			56	1140-51250	SCREW	2	
7	T1600-21140	GASKET, CASE	1		57	1140-51230	WASHER	2	
8	T1600-21240	BEARING	2		58	T1600-51240	WASHER	2	
9	T1600-21210	SEAL	1		59	848E4871A0	ROTOR	1	
10	T1600-21220	SEAL	1		60	848E487120	COIL ASSY	1	
11	04065-02612	RING	1	ø26					
12	01252-30520	BOLT	3	M5x20	63	3350-14150	BOLT	2	M4x20
13	T1600-42003	CRANKSHAFT COMP.	1		64	1260-71261	SPACER	2	
14	1160-41110	PISTON	1		65	T1600-73200	CORD COMP.	1	
15	1100-41210	RING	1		66	2750-32620	NUT	1	
16	1101-41310	PIN	1		67	T1600-75100	RECOIL ASSY	1	
17	1260-41320	RING	2		68	T1600-75120	• REEL	1	
18	5500-41410	BEARING	1		69	4500-75150	• SCREW	1	
19	1101-41340	WASHER	2		70	T1600-75130	• SPRING	1	
20	T1600-15110	MUFFLER	1		71	4500-75180	• COLLOR	1	
21	01252-30550	BOLT	2	M5x50	72	T1600-75190	• ARM	1	
22	T1600-15210	GASKET	1		73	T1600-75160	• ROPE	1	
23	T1600-15221	PLATE	1		74	T1600-75310	• KNOB	1	
24	T1600-13100	INSULATOR COMP.	1		75	T1600-75321	• COLLOR	1	
25	0282-10604	• NUT	1		76	T1600-75330	• SPRING	1	
26	T1600-13170	• SCREW	1		77	4820-75210	• WASHER	1	
27	5500-13121	GASKET	1		78	4500-75210	PULLEY	1	
28	5500-13131	GASKET	1		79	5500-85510	SCREW	2	
29	5500-85510	SCREW	2	M5x16	80	T1600-85001	TANK ASSY	1	
30	848E488100	CARBURETOR ASSY	1	WYL-221	81	5607-85201	• CAP ASSY	1	
31	0263-90550	SCREW	2	M5x50	82	5601-85300	•• HOLDER ASSY	1	
32	T1600-82100	BODY ASSY	1		83	5500-85220	•• PACKING	1	
33	1970-82190	• SLEEVE	1		84	5601-85260	•• FILTER	1	
34	T1600-82130	• PLATE, choke	1		85	4820-85260	•• STOPPER	1	
35	T1600-82140	• LEVER, choke	1		86	4810-85300	• PIPE COMP.	1	
36	2630-33610	• SCREW	1		87	5500-85400	• FILTER	1	
37	5500-82171	ELEMENT	1		88	1260-85460	• CLIP	1	
38	T1600-82200	COVER ASSY	1		89	5500-85510	SCREW	3	
39	5500-82221	• KNOB	1		90	1950-86120	CLIP	1	
40	848E3Y5300	HOUSING ASSY	1		91	T1616-75410	LABEL, RECOIL	1	
					92	T1807-31130	LABEL	1	
42	848EA051A1	• DRUM	1		93	2634-31420	LABEL (CE)	1	
43	04064-01210	• SNAP RING	1		94	T2990-21080	LABEL, sound	1	
44	T1700-31212	BRACKET (A)	1						
45	T1700-31221	BRACKET (B)	1						
46	T1700-31232	CUSHION	1						
47	01252-30522	BOLT	2						
48	01252-30510	BOLT	1						
49	T1600-72210	CLAMP	1						
50	5500-85510	SCREW	4	M5x16					

Fig.3 CUTTER GROUP

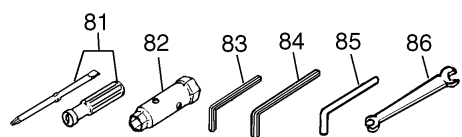
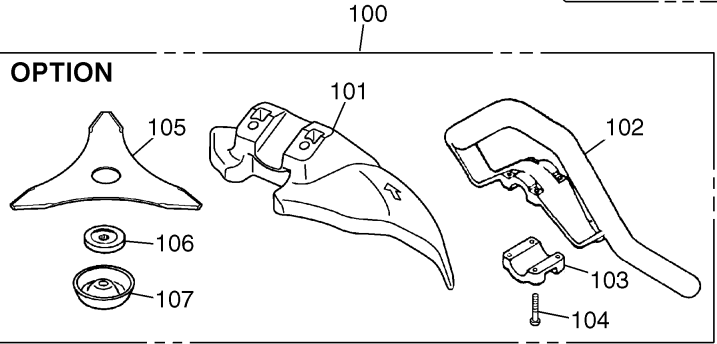
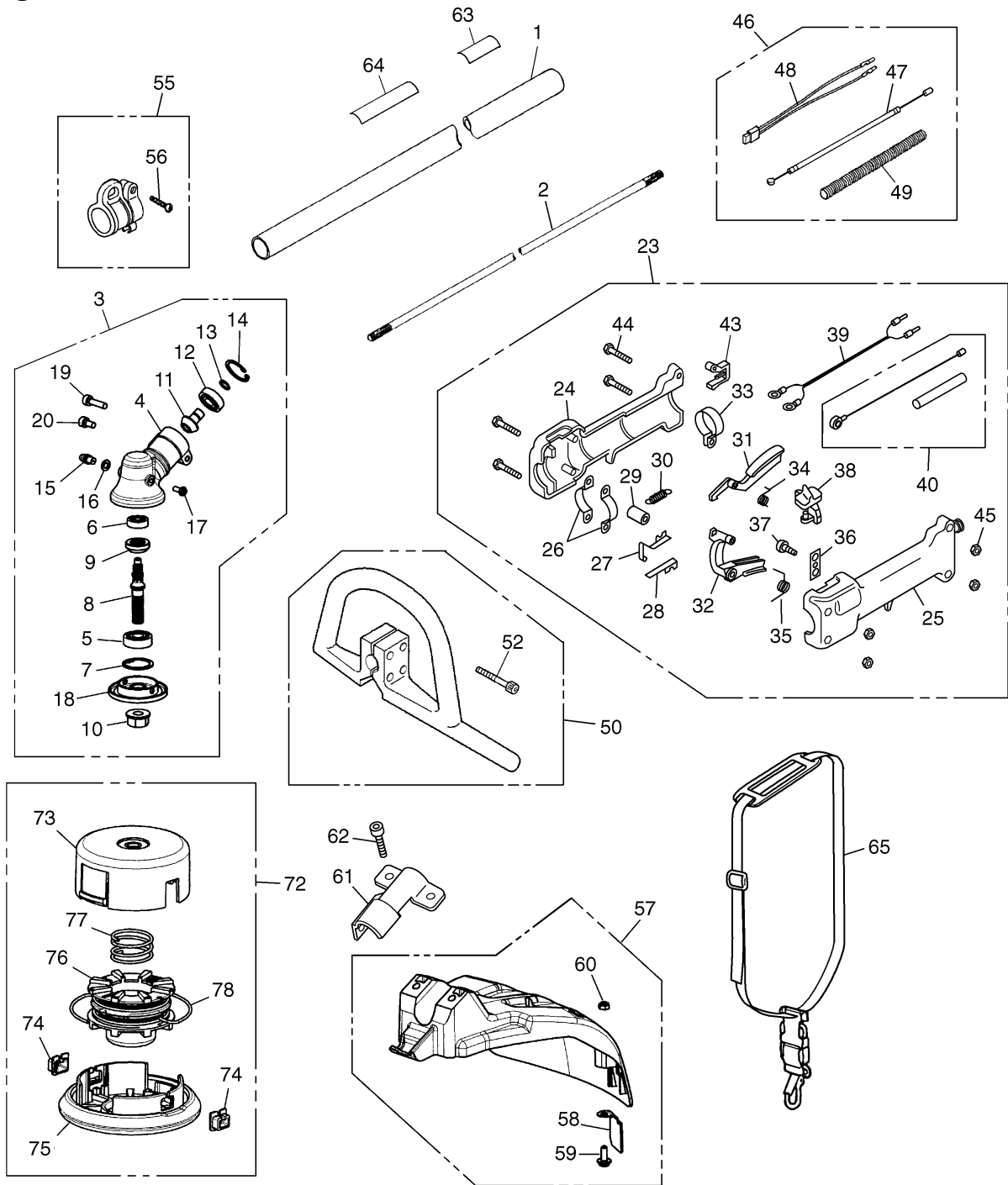


Fig.3 CUTTER GROUP

Key#	PART NUMBER	DESCRIPTION	Q'TY /UNIT	NOTE	Key#	PART NUMBER	DESCRIPTION	Q'TY /UNIT	NOTE
1	848B5F5821	PIPE COMP.	1						
2	3520-12213	SHAFT	1		55	T3300-17202	HANGER COMP	1	
3	T3338-13000	GEARCASE ASSY	1		56	0263-90520	• SCREW	1	
4	848B2062A0	• GEARCASE (T3300-91320)	1		57	T3338-24100	GUARD ASSY	1	
5	06004-06000	• BEARING	1		58	6041-24140	• BLADE	1	
6	06000-00626	• BEARING	1		59	0263-90516	• SCREW TORX	1	
7	04065-02612	• RING	1		60	3320-15310	• NUT	1	
8	T3195-13210	• SHAFT	1		61	T3338-24120	CLAMP	1	
9	T3300-93250	• GEAR	1		62	01252-30630	BOLT	2	
10	T3002-13260	• NUT	1		63	848J5K90R0	PLATE, name	1	
11	T3195-13310	• PINION	1		64	6425-12552	PLATE, caution	1	
12	06001-00609	• BEARING	1		65	T3300-17100	HARNES ASSY	1	
13	3210-13330	• RING	1						
14	04065-02412	• RING	1		72	T3189-15102	TAP HEAD COMP.	1	
15	3199-13350	• FITTING	1		73	T3189-15112	• CASE	1	
16	01641-20608	• WASHER	1		74	T3189-15191	• EYELET	2	
17	0225-00410	• BOLT	1		75	T3189-15132	• COVER	1	
18	T3300-91340	• HOLDER (A)	1		76	T3189-15142	• CORD HOLDER	1	
19	01252-30520	• BOLT	1		77	T3189-15160	• SPRING	1	
20	01252-30512	• BOLT	1		78	T3189-15180	• CORD	1	
23	T3110-18000	GRIP ASSY	1	ø24	81	1030-91340	DRIVER	1	
24	K2300-000240	• GRIP (R)	1		82	3144-91160	SOCKET	1	
25	K2300-000230	• GRIP (L)	1		83	09007-00425	WRENCH	1	
26	K3200-000370	• CLAMP (A)	2		84	09007-00528	WRENCH	1	
27	K3300-000010	• PLATE (A)	1		85	3540-91110	BAR	1	
28	K3300-000020	• PLATE (B)	1		86	3540-91120	SPANNER	1	
29	K5100-000240	• COLLAR	1						
30	K5100-000220	• SPRING	1		100	BC00A21	BLADE KIT	1	OP
31	K2300-000260	• SAFETY LEVER	1		101	T3246-24110	• Guard (for Metal Blade)	1	OP
32	K2300-000250	• THROTTLE LEVER	1		102	6489-14300	• Handle comp. (with Barrier)	1	OP
33	K3200-000380	• CLAMP(B)	1		103	6420-14320	• Clamp	1	OP
34	K5100-000230	• SPRING	1		104	0263-90535	• Screw	4	OP
35	K5100-000210	• SPRING	1		105	8488Z23010	• Blade (ø250x1.8mm 3Teeth Blade)	1	OP
36	K2300-000270	• PLATE	1		106	6423-13250	• Holder (B)	1	OP
37	B1122-C2910H	• SCREW	1	M3x10	107	3540-13283	• Cover (ø10mm Center Hole)	1	OP
38	K2300-000280	• SWITCH	1						
39	K5200-000090	• CORD	1						
40	K5100-000270	• CABLE COMP	1						
43	K2300-000390	• LID	1						
44	B1176-090530	• BOLT	4						
45	B1181-04054506	• NUT	4						
46	5548-83000	CABLE ASSY	1						
47	5548-83100	• CABLE COMP.	1						
48	5548-73200	• CORD COMP.	1						
49	5548-73310	• TUBE	1						
50	T3110-14000	HANDLE ASSY	1						
52	0263-90530	• SCREW	4						

Fig.4 ENGINE GROUP

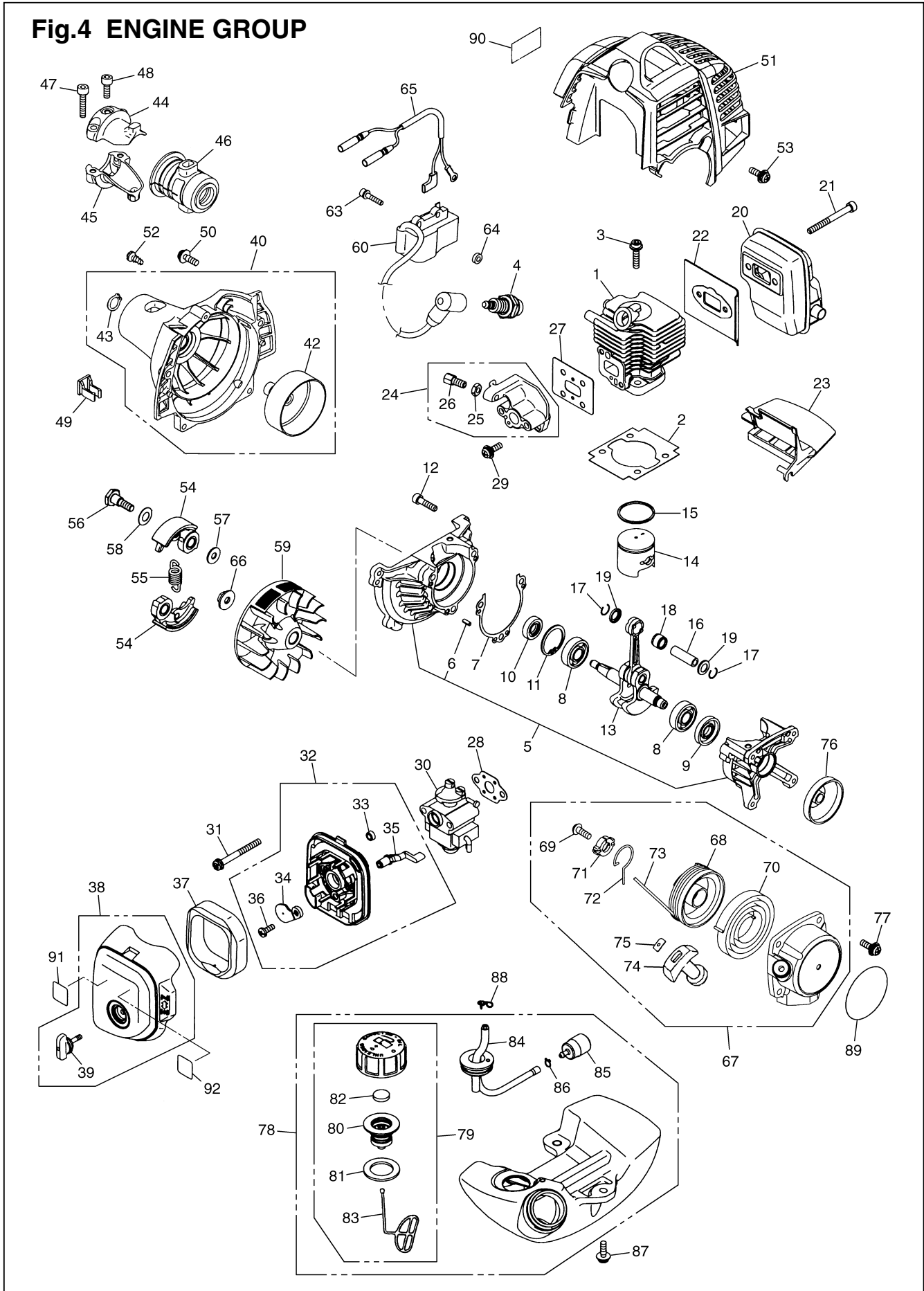


Fig.4 ENGINE GROUP

Key#	PART NUMBER	DESCRIPTION	Q'TY /UNIT	NOTE	Key#	PART NUMBER	DESCRIPTION	Q'TY /UNIT	NOTE
1	848E3Y12A0	CYLINDER	1		51	848E3431A1	COVER, ENGINE	1	
2	T1600-12210	GASKET	1		52	0263-90510	SCREW	1	
3	1850-12130	BOLT	2	M5x22	53	5500-85510	SCREW	2	M5x16
4	3699-90332	PLUG	1	BPMR7A	54	T1600-51110	SHOE	2	
5	T1600-21100	CRANKCASE COMP.	1		55	T1600-51220	SPRING	1	
6	2629-21130	• PIN			56	1140-51250	SCREW	2	
7	T1600-21140	GASKET, CASE	1		57	1140-51230	WASHER	2	
8	T1600-21240	BEARING	2		58	T1600-51240	WASHER	2	
9	T1600-21210	SEAL	1		59	848E4871A0	ROTOR	1	
10	T1600-21220	SEAL	1		60	848E487120	COIL ASSY	1	
11	04065-02612	RING	1	ø26					
12	01252-30520	BOLT	3	M5x20	63	3350-14150	BOLT	2	M4x20
13	T1600-42003	CRANKSHAFT COMP.	1		64	1260-71261	SPACER	2	
14	1160-41110	PISTON	1		65	T1600-73200	CORD COMP.	1	
15	1100-41210	RING	1		66	2750-32620	NUT	1	
16	1101-41310	PIN	1		67	T1620-75100	RECOIL ASSY	1	
17	1260-41320	RING	2		68	T1600-75120	• REEL	1	
18	5500-41410	BEARING	1		69	4500-75150	• SCREW	1	
19	1101-41340	WASHER	2		70	T1600-75130	• SPRING	1	
20	T1600-15110	MUFFLER	1		71	4500-75180	• COLLOR	1	
21	01252-30550	BOLT	2	M5x50	72	T1600-75190	• ARM	1	
22	T1600-15210	GASKET	1		73	T1600-75160	• ROPE	1	
23	T1600-15221	PLATE	1		74	1140-75320	• KNOB	1	
24	T1600-13100	INSULATOR COMP.	1		75	5500-75170	• WASHER	1	
25	0282-10604	• NUT	1		76	4500-75210	PULLEY	1	
26	T1600-13170	• SCREW	1		77	5500-85510	SCREW	2	
27	5500-13121	GASKET	1		78	T1600-85001	TANK ASSY	1	
28	5500-13131	GASKET	1		79	5607-85201	• CAP ASSY	1	
29	5500-85510	SCREW	2	M5x16	80	5601-85300	•• HOLDER ASSY	1	
30	848E488100	CARBURETOR ASSY	1	WYL-221	81	5500-85220	•• PACKING	1	
31	0263-90550	SCREW	2	M5x50	82	5601-85260	•• FILTER	1	
32	T1600-82100	BODY ASSY	1		83	4820-85260	•• STOPPER	1	
33	1970-82190	• SLEEVE	1		84	4810-85300	• PIPE COMP.	1	
34	T1600-82130	• PLATE, choke	1		85	5500-85400	• FILTER	1	
35	T1600-82140	• LEVER, choke	1		86	1260-85460	• CLIP	1	
36	2630-33610	• SCREW	1		87	5500-85510	SCREW	3	
37	5500-82171	ELEMENT	1		88	1950-86120	CLIP	1	
38	T1600-82200	COVER ASSY	1		89	T1616-75410	LABEL, RECOIL	1	
39	5500-82221	• KNOB	1		90	T1807-31130	LABEL	1	
40	T1620-31101	HOUSING ASSY	1		91	2634-31420	LABEL (CE)	1	
					92	T2990-21080	LABEL, sound	1	
42	848F3051A1	• DRUM	1						
43	04064-01210	• SNAP RING	1						
44	T1700-31212	BRACKET (A)	1						
45	T1700-31221	BRACKET (B)	1						
46	T1700-31232	CUSHION	1						
47	01252-30522	BOLT	2						
48	01252-30510	BOLT	1						
49	T1600-72210	CLAMP	1						
50	5500-85510	SCREW	4	M5x16					

Fig.5 CARBURETOR

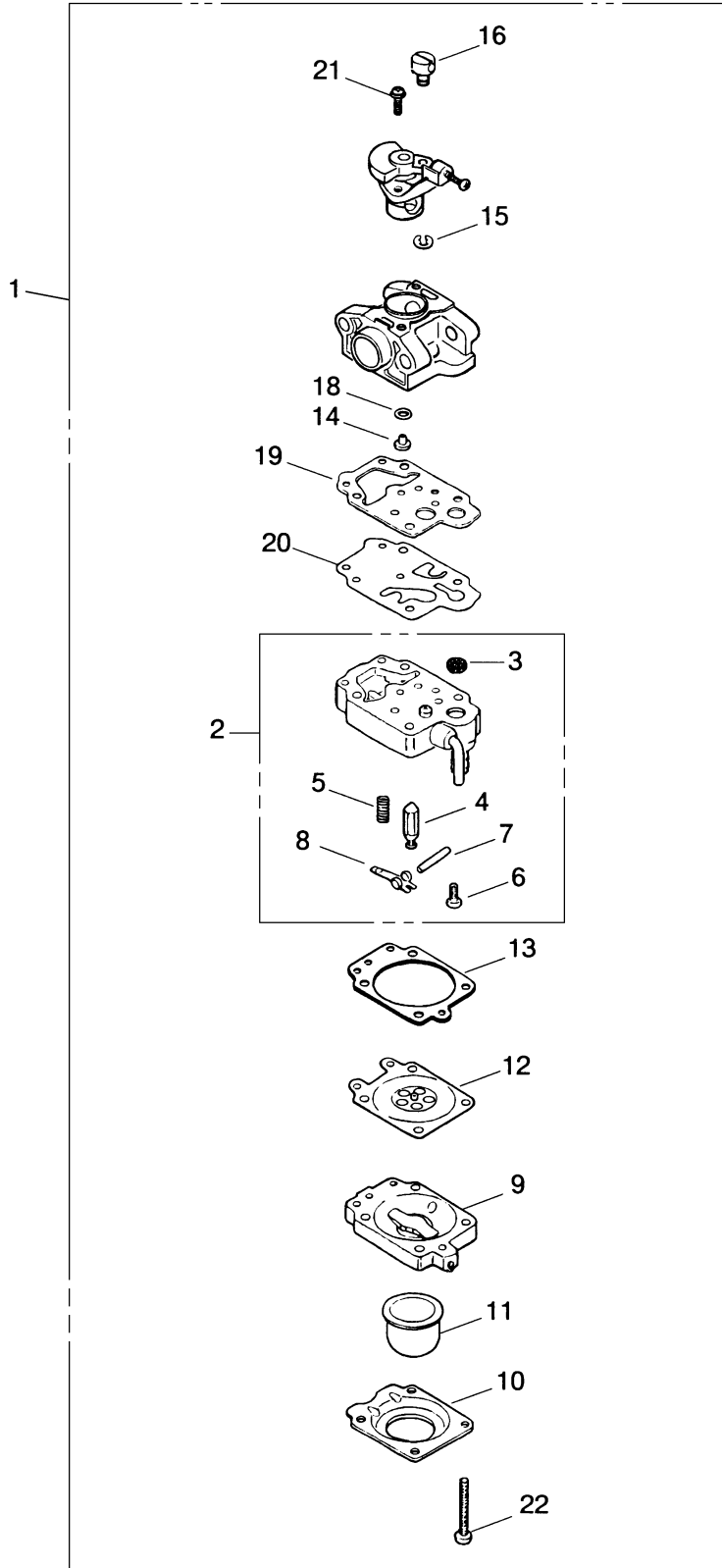


Fig.5 CARBURETOR

Key#	PART NUMBER	DESCRIPTION	Q'TY /UNIT	NOTE	Key#	PART NUMBER	DESCRIPTION	Q'TY /UNIT	NOTE
1	848E488100	CARBURETOR ASSY	1	WYL-221					
2	1794-81450	• BODY ASSY	1						
3	3306-81380	•• SCREEN	1						
4	3356-81310	•• VALVE, inlet	1						
5	1794-81270	•• SPRING	1						
6	1850-81220	•• SCREW	1						
7	3310-81250	•• PIN	1						
8	3310-81230	•• LEVER	1						
9	1850-81490	• BODY, purge	1						
10	1850-81520	• COVER, pump	1						
11	1751-81510	• PUMP, priming	1						
12	4810-81260	• DIAPHRAGM	1						
13	1850-81470	• GASKET	1						
14	8488J13600	• JET	1	#36					
15	1751-81130	• RING	1						
16	1881-81140	• SWIVEL	1						
18	1751-81240	• O-RING	1						
19	4810-81410	• GASKET	1						
20	1065-81420	• DIAPHRAGM, pump	1						
21	5850-81110	• SCREW	2						
22	1850-81530	• SCREW	4						



KOMATSU ZENOAHI CO.

1-9 Minamidai, Kawagoe, Saitama, 350-1192 Japan

PRINTED IN JAPAN

PRINTED ON RECYCLED PAPER
IMPRIMÉ SUR PAPIER RECYCLÉ
GEDRUCKT AUF RECYCLING PAPIER
STAMPATO SU CARTA RICICLATA
IMPRESO EN PAPEL RECICLADO