



# PARTS LIST

## BACKPACK BLOWER

# EB7000

**NOTE :**

1. Use KOMATSU ZENOAH genuine parts specified in the parts list for repair and/or replacement.
2. KOMATSU ZENOAH does not warrant the machines, those which have been damaged by the use of any parts other than those specified by the company.
3. When placing orders of parts for repair and/or replacement, check if the model name and the serial number are suitable to those specified in the parts list, then use parts number described in the parts list.
4. The contents described in the parts list may change due to improvement.
5. The parts for the machine shall be supplied within ten (10) years after the machine is discontinued.  
[It is possible that some specific parts may be subject to change of their delivery term and list price within the limit of ten (10) years after the machine is discontinued. And it is also possible that some parts may be available even after the limit of ten (10) years.]

Fig.1 BLOWER GROUP (S/N 308871 and up)

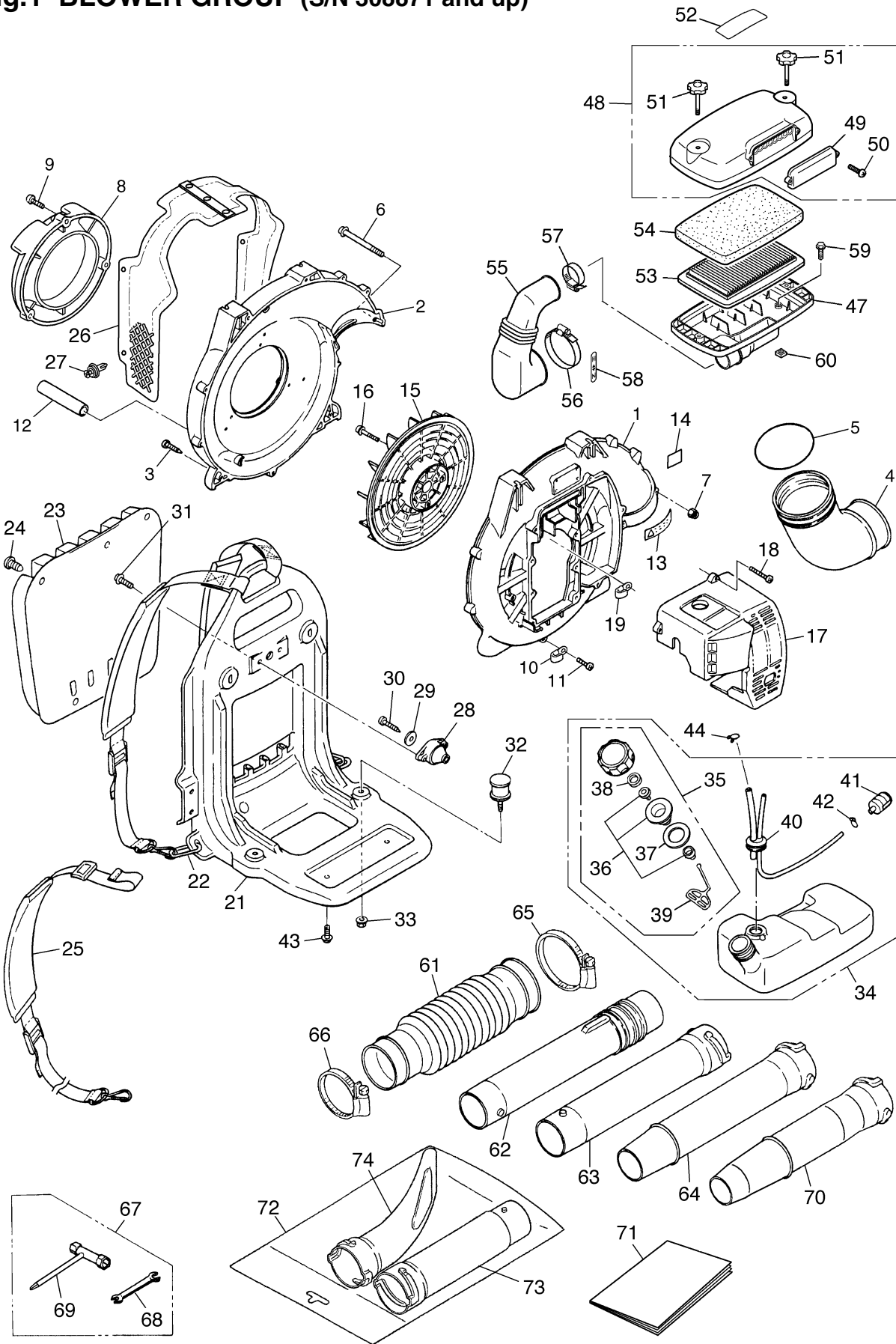


Fig.1 BLOWER GROUP (S/N 308871 and up)

Key#	PART NUMBER	DESCRIPTION	Q'TY /UNIT	NOTE	Key#	PART NUMBER	DESCRIPTION	Q'TY /UNIT	NOTE
1	2750-31111	VOLUTE CASE	1		53	T4012-82311	ELEMENT	1	
2	848L5C55B3	VOLUTE COVER	1		54	T4012-82321	ELEMENT	1	
3	2750-31150	SCREW M5x25	9		55	T4012-82610	HOSE	1	
4	3490-11150	ELBOW	1		56	T4012-82620	BAND (ø68)	1	
5	07000-02095	O-RING	1		57	T4012-82630	BAND (ø40)	1	
6	2750-31420	SCREW M5x70	2		58	T4012-82640	LABEL, choke	1	
7	3310-53331	NUT	2		59	00263-20520	SCREW	4	
8	T4012-31310	COVER INLET	1		60	T4012-82710	NUT	4	
9	2750-31150	SCREW M5x25	3		61	T4017-51110	HOSE	1	
10	8488K40010	CLAMP	1		62	2750-51201	SWIVEL JOINT	1	
11	3407-16120	SCREW M5x14	1		63	6811-51211	PIPE, straight	1	
12	2750-31290	TUBE	1		64	6811-51220	PIPE, END ø66	1	
13	3436-91170	LABEL, caution	1		65	2756-51510	CLAMP	1	
14	T2990-21080	LABEL, sound	1		66	2756-51520	CLAMP	1	
15	2750-31510	FAN	1		67	2750-91000	TOOL SET	1	
16	3407-12210	BOLT M5x40	4		68	3540-91120	• SPANNER	1	
17	2750-31612	ENGINE COVER	1		69	2750-91130	• SOCKET	1	
18	2750-31150	SCREW M5x25	4		70	2756-51220	PIPE, end ø57	1	*Acc
19	2750-72230	CLAMP	1		71	T4028-93110	MANUAL	1	
21	T4012-32101	FRAME COMP.	1		72	6811-51200	FLAT NOZZLE SET	1	*Acc
22	3490-21121	• RING	2		73	6811-51211	PIPE	1	*Acc
23	3460-21311	PAD	1		74	6811-51230	FLAT NOZZLE	1	*Acc
24	3495-21320	CLIP	4						
25	2756-32300	BAND ASSY	2						
26	T4012-32500	NET COMP.	1						
27	1480-74710	CLIP	4						
28	2750-32510	DAMPER,UPPER	1						
29	2750-32520	WASHER	1						
30	01252-60540	SCREW M5x40	1						
31	2750-32541	BOLT M5x16	2	Large Washer					
32	2750-32610	DAMPER,LOWER	2						
33	2750-32620	NUT M6	2						
34	T4012-85101	TANK ASSY	1						
35	T1015-85202	• CAP ASSY	1						
36	4500-85300	•• HOLDER ASSY	1						
37	4500-85220	•• PACKING	1						
38	5601-85260	•• FILTER	1						
39	4820-85260	•• STOPPER	1						
40	T4012-85300	• PIPE COMP.	1						
41	3302-85400	• FILTER	1						
42	1260-85460	• CLIP	1						
43	3407-23610	SCREW	2						
44	1100-86120	CLIP	1						
47	T4012-82111	BODY, cleaner	1						
48	T4012-82201	COVER ASSY	1						
49	T4012-82220	• COVER	1						
50	2750-31150	• SCREW	2						
51	T4012-82800	• KNOB BOLT	2						
52	3461-31812	LABEL, cleaner	1						

\*Acc: Accessory, which is not included in standard package.

Fig.2 ENGINE GROUP (S/N 308871 and up)

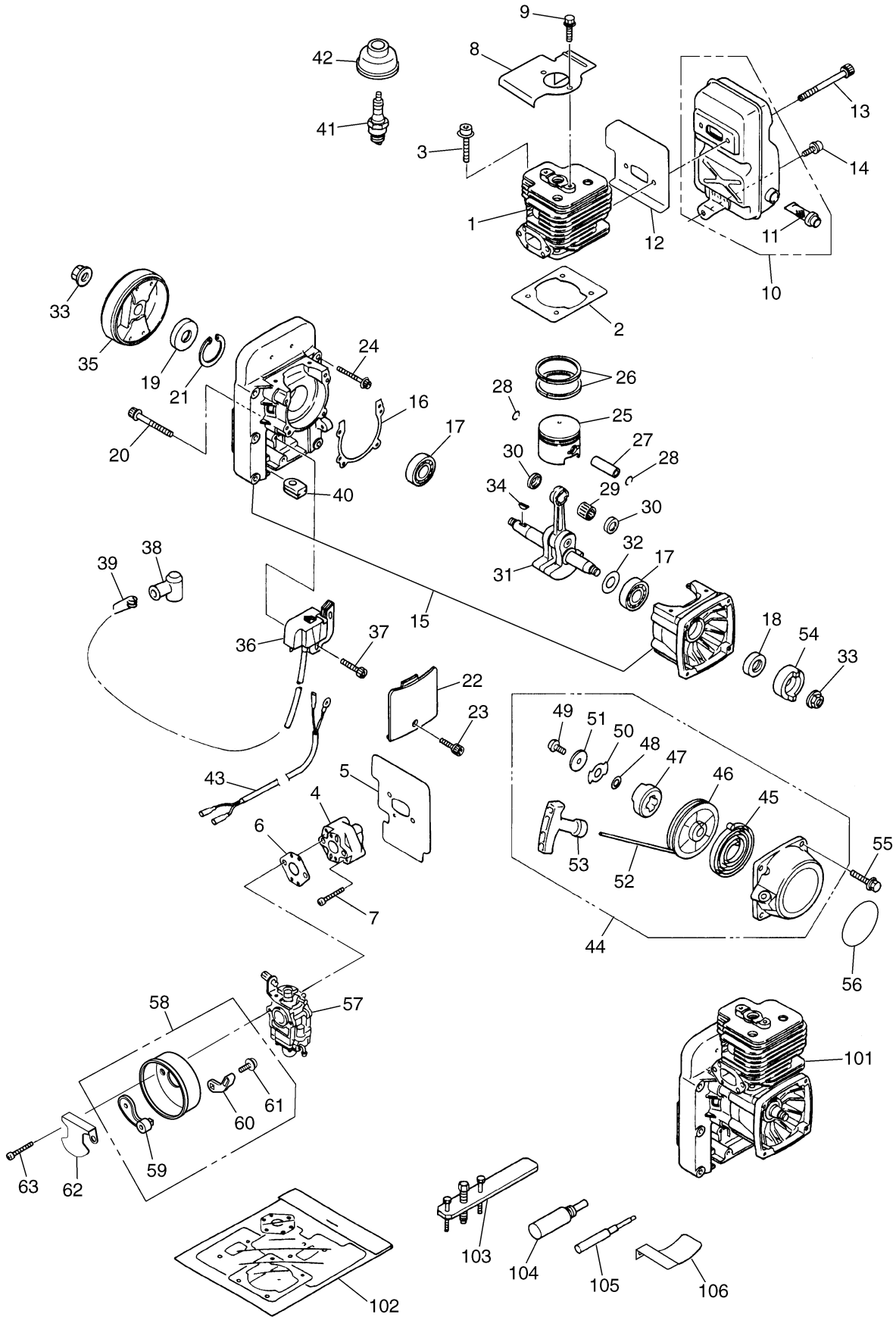
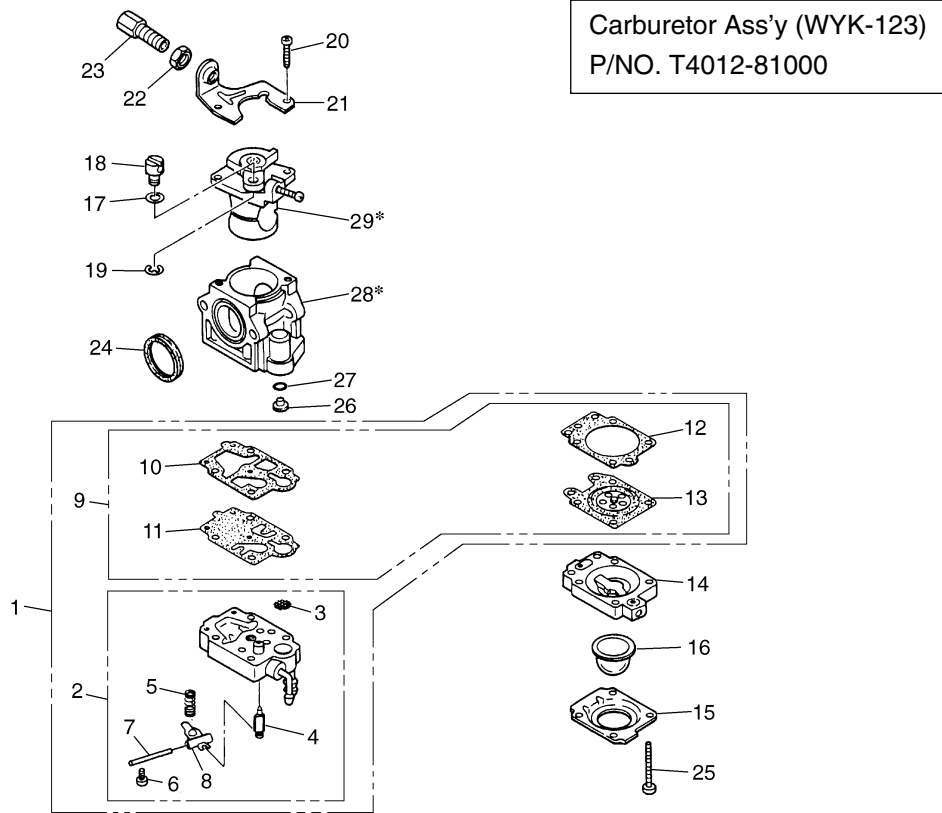


Fig.2 ENGINE GROUP (S/N 308871 and up)

Key#	PART NUMBER	DESCRIPTION	Q'TY /UNIT	NOTE	Key#	PART NUMBER	DESCRIPTION	Q'TY /UNIT	NOTE
1	2750-12110	CYLINDER	1		53	1400-75170	• KNOB	1	
2	2750-12210	GASKET, base	1		54	1487-75211	PULLEY	1	
3	1850-12130	BOLT	4		55	3460-75510	BOLT	4	
4	1484-13161	INSULATOR	1		56	T4029-75610	LABEL	1	
5	2750-13130	GASKET	1		57	T4012-81000	CARBURETOR	1	
6	1460-13132	GASKET	1		58	T4012-82401	CASE ASSY	1	
7	1484-13170	BOLT	2		59	T4012-82421	• PLATE	1	
8	2750-12510	COVER	1		60	T4012-82431	• LEVER	1	
9	2750-12520	BOLT	2		61	T4012-82441	• SCREW	1	
10	2756-15100	MUFFLER ASSY	1		62	T4012-82510	PLATE	1	
11	1421-15120	• ARRESTER	1		63	0263-90550	SCREW	2	
12	2750-15210	GASKET	1						
13	2750-15160	BOLT	2						
14	2750-15170	BOLT	1		101	848H301004	SHORT BLOCK	1	*Acc
15	848H302112	CRANKCASE COMP.	1		102	2750-06010	GASKET KIT	1	*Acc
16	2750-21140	GASKET	1		103	2750-96100	PULLER ASSY	1	*Acc
17	84889F4200	BEARING	2		104	3350-96220	STOPPER	1	*Acc
18	T4019-21210	OIL SEAL	1		105	2750-96230	GUIDE	1	*Acc
19	8488AF4200	OIL SEAL	1		106	2750-96240	GAUGE	1	*Acc
20	01252-30530	BOLT	4						
21	04065-04218	SNAP RING	2						
22	2750-21211	COVER	1						
23	1565-72211	BOLT	1						
24	2750-21510	BOLT	6						
25	2750-41110	PISTON	1						
26	3366-41210	RING	2						
27	3366-41310	PISTON PIN	1						
28	3350-41320	SNAP RING	2						
29	1400-41410	BEARING	1						
30	2616-41510	WASHER	2						
31	848H304201	CRANKSHAFT COMP.	1						
32	1300-42410	SHIM	0~1						
33	1400-43230	NUT	2						
34	1000-43240	KEY	1						
35	2750-71111	ROTOR	1						
36	2750-71200	COIL ASSY	1						
37	3350-14150	BOLT	2						
38	1900-72112	CAP	1						
39	1900-72120	SPRING	1						
40	5500-72130	GROMMET	1						
41	3699-90419-10	SPARK PLUG	1	RCJ6Y					
42	2751-71220	CAP	1						
43	2750-73200	CORD COMP.	1						
44	T4030-75100	RECOIL ASSY	1						
45	1180-75221	• SPRING	1						
46	T4030-75120	• REEL	1						
47	T4030-75140	• DOG	1						
48	1861-75150	• WASHER	1						
49	1483-75270	• SCREW	1						
50	1487-75160	• RETAINER	1						
51	1487-75170	• WASHER	1						
52	1400-75160	• ROPE	1						

\*Acc: Accessory, which is not included in standard package.

**Fig.3 CARBURETOR COMPONENTS (S/N 308871 and up)**



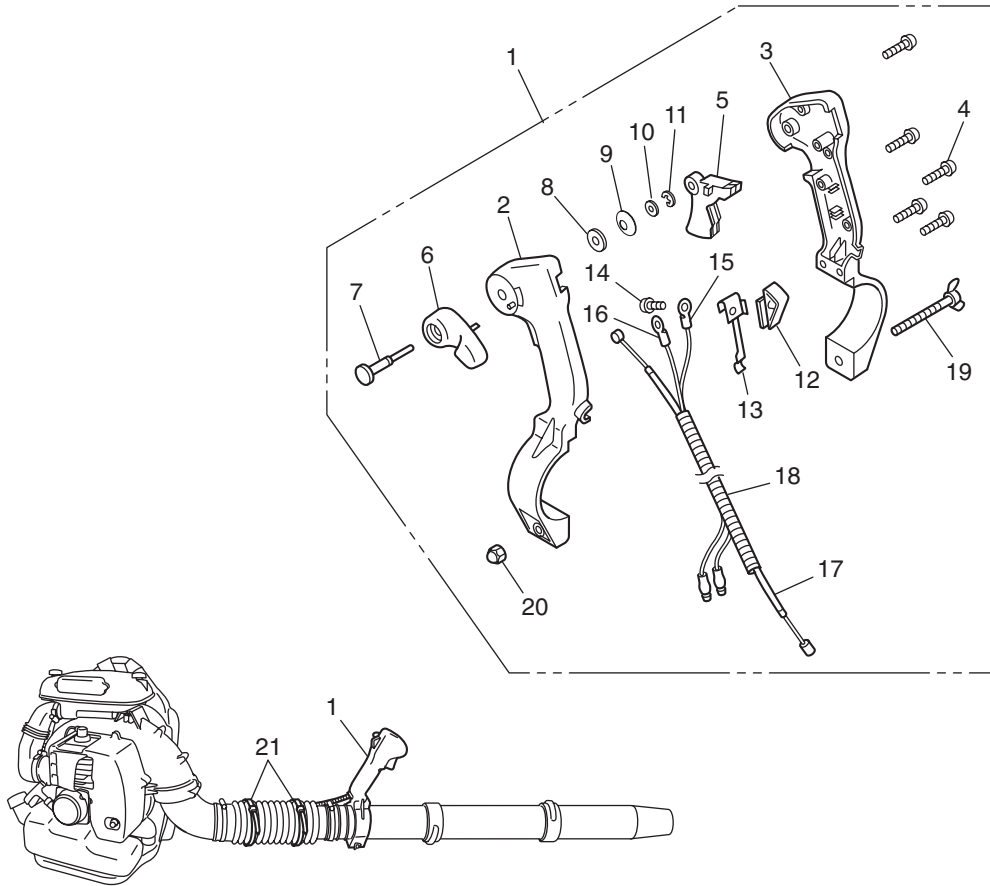
Key#	PART NUMBER	DESCRIPTION	Q'TY /UNIT	NOTE
1	5602-06030	REBAILT KIT	1	
2	1850-81450	• BODY ASSY	1	
3	_____	•• SCREEN	1	
4	_____	•• VALVE	1	
5	_____	•• SPRING	1	
6	_____	•• SCREW	1	
7	_____	•• PIN	1	
8	_____	•• LEVER	1	
9	5602-06020	• GASKET KIT		
10	_____	•• GASKET	1	
11	_____	•• DIAPHRAGM	1	
12	_____	•• GASKET	1	
13	_____	•• DIAPHRAGM	1	
14	1850-81490	BODY	1	
15	1850-81520	COVER	1	
16	1751-81510	PUMP	1	
17	5500-81160	WASHER	1	
18	1881-81140	SWIVEL	1	
19	1751-81130	RING	1	
20	1752-81110	SCREW	2	
21	5500-81120	BRACKET	1	
22	1751-81180	NUT	1	

Key#	PART NUMBER	DESCRIPTION	Q'TY /UNIT	NOTE
23	1918-81170	SCREW	1	
24	1881-81130	RING	1	
25	1850-81530	SCREW	4	
26	T4012-81250	JET	1	#53
27	1751-81240	O-RING	1	
28*	_____	Body	1	
29*	_____	Valve ass'y	1	

[NOTE]

• 28\*-Body and 29\*-Valve ass'y are not supplied as an individual part respectively, but supplied as a carburetor ass'y (P/NO. T4012-81000).

**Fig.4 LEVER (R) SET (S/N 308871 and up)**



Key#	PART NUMBER	DESCRIPTION	Q'TY /UNIT	NOTE	Key#	PART NUMBER	DESCRIPTION	Q'TY /UNIT	NOTE
1	848L543411	LEVER (R) SET	1						
2	848L5434A1	•CASE	1						
3	T4023-25210	•COVER	1						
4	T4023-25310	•SCREW 4x14	5						
5	T4023-25410	•LEVER, throttle	1						
6	848L5434D1	•LEVER	1						
7	T4023-25440	•SHAFT	1						
8	T4023-25450	•WASHER	1						
9	T4023-25460	•SPRING WASHER	1						
10	3238-15230	•WASHER	1						
11	T4023-25480	•CLIP	1						
12	T4023-25710	•SWITCH	1						
13	T4023-25721	•SPRING	1						
14	T4023-25730	•SCREW 4x10	1						
15	T4023-25740	•CORD	1						
16	T4023-25750	•CORD	1						
17	T4023-83100	•CABLE	1						
18	8488H19402	•TUBE	1						
19	3495-51420	•WING BOLT	1						
20	2750-51540	•NUT	1						
21	3486-84110	BAND	2						



# **KOMATSU ZENOAH CO.**

1-9 Minamidai, Kawagoe, Saitama, 350-1192 Japan

---

PRINTED IN JAPAN

PRINTED ON RECYCLED PAPER  
IMPRIMÉ SUR PAPIER RECYCLÉ  
GEDRUCKT AUF RECYCLING PAPIER  
STAMPATO SU CARTA RICICLATA  
IMPRESO EN PAPEL RECICLADO