

# PARTS LIST

LONG REACH TRIMMER

**LRTZ2600**

**NOTE :**

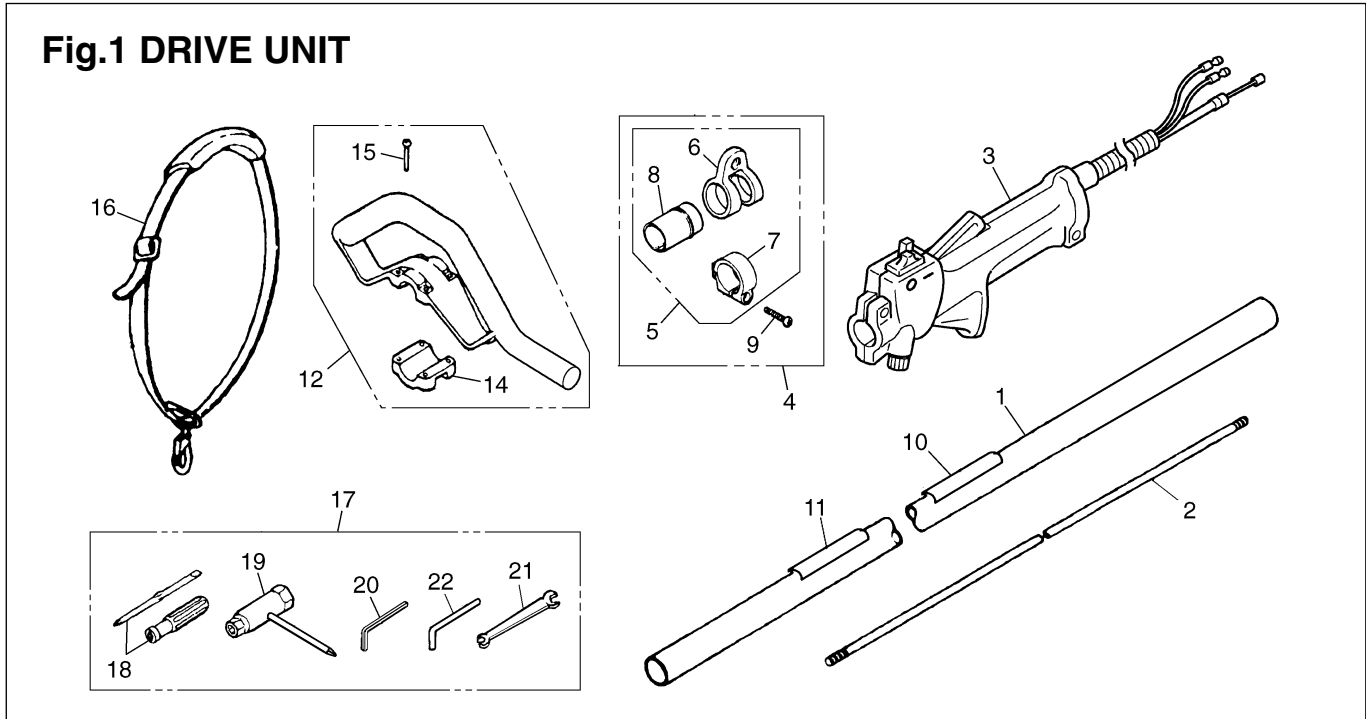
1. Use KOMATSU ZENOAH genuine parts as specified in the parts list for repair and/or replacement.
2. KOMATSU ZENOAH does not warrant the machines, which have been damaged by the use of any parts other than those specified by the company.
3. When placing parts orders for repair and/or replacement, check if the model name and the serial number are applicable to those specified in the parts list, then use parts number described in the parts list.
4. The contents described in the parts list are accurate as of the date and may change due to improvement.
5. The parts for the machine shall be supplied ten (10) years after the machine is discontinued. [It is possible that some specific parts may be subject to change of their delivery term and list price within the limit of ten (10) years after the machine is discontinued. It is also possible that some parts may be available even after the limit of ten (10) years.]

APPLICABLE SERIAL NUMBERS:

50200000 and up

April 2005

**Fig.1 DRIVE UNIT**



**Fig.2 CUTTING UNIT**

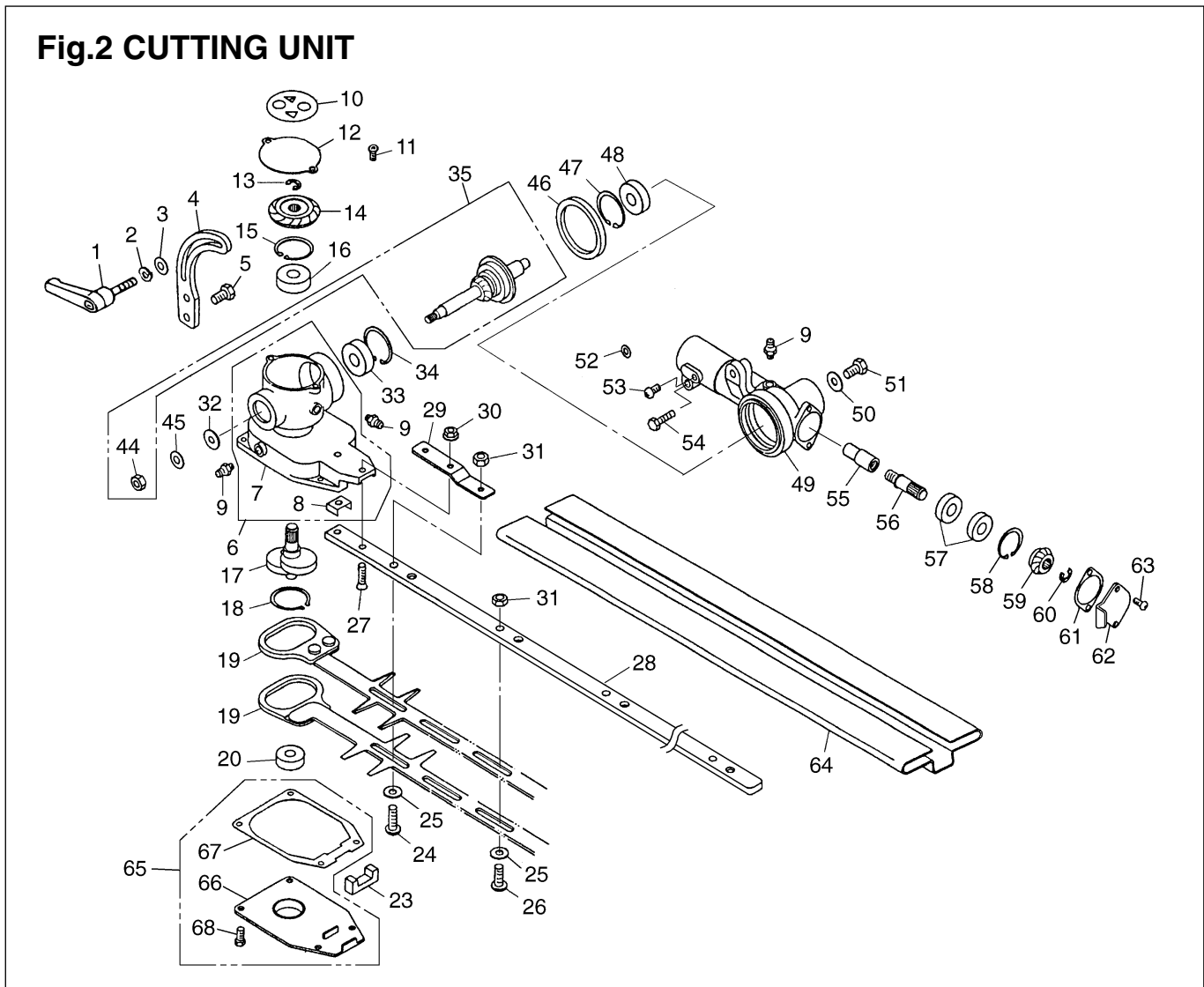


Fig.1 DRIVE UNIT

Key#	PART NUMBER	DESCRIPTION	Q'TY /UNIT	NOTE	Key#	PART NUMBER	DESCRIPTION	Q'TY /UNIT	NOTE
1	T3002-12101	PIPE COMP.	1		21	3540-91120	• SPANNER	1	
2	T3520-12213	SHAFT	1		22	3540-91110	• BAR	1	
3	T3076-11330	GRIP ASSY	1						
4	6420-17300	HANGER ASSY	1						
5	6420-17400	• HANGER COMP.	1						
6	9366-17110	•• HANGER	1						
7	9366-17120	•• CLAMP	1						
8	6420-17410	•• SLEEVE	1						
9	0263-90525	• SCREW	1						
10	848A2N90R0	NAME-PLATE	1						
11	3436-91170	CAUTION-PLATE	1						
12	6489-14000	HANDLE ASSY	1						
14	6420-14320	• CLAMP	1						
15	0263-90535	• SCREW	4						
16	T3300-17100	STRAP ASSY	1						
17	T3002-91000	TOOL-SET	1						
18	1030-91340	• DRIVER	1						
19	T3002-91310	• SOCKET	1						
20	09007-00425	• WRENCH	1						

Fig.2 CUTTING UNIT

Key#	PART NUMBER	DESCRIPTION	Q'TY /UNIT	NOTE	Key#	PART NUMBER	DESCRIPTION	Q'TY /UNIT	NOTE
1	6598-13110	LEVER, clamp	1		46	6598-13620	O-RING	1	P41
2	0290-20615	WASHER	1	M6	47	04065-02612	SNAP RING	1	
3	6782-13650	WASHER	1	6x16x2.0	48	06004-06000	BEARING	1	
4	6782-13141	ANGLE ADJUSTER	1		49	6780-13710	CASING B	1	
5	0225-10612	BOLT	2	M6x12	50	6782-13650	WASHER	1	
6	6782-13200	CASING A SET	1		51	0225-10612	BOLT	1	M6x12
7		• CASING A	1		52	6782-13720	WASHER	1	5x10x1.0
8	6782-13220	• PLATE	1		53	01252-30510	BOLT	1	M5x10
9	3199-13350	GREASE FITTING	3		54	3350-21320	BOLT	1	M5x30
10	6782-13250	LABEL	1		55	6782-13810	JOINT	1	
11	0263-10408	SCREW	2	M4x8	56	6598-13820	GEAR SHAFT B	1	
12	6598-13320	COVER	1		57	6782-13830	BEARING	2	6900RS
13	6598-13330	SNAP RING	1		58	04065-02212	SNAP RING	1	
14	6782-13340	BEBEL GEAR	1		59	6782-13850	BEVEL GEAR	1	
15	04065-02612	SNAP RING	1		60	6598-13330	SNAP RING	1	
16	06004-06000	BEARING	1		61	6598-13860	PACKING	1	
17	6782-13370	CRANK SHAFT	1		62	6598-13871	PLATE	1	
18	04064-02815	SNAP RING	1		63	0263-10410	SCREW	2	M4x10
19	6782-13411	BLADE	2		64	6782-13910	BLADE COVER	1	
20	6782-13430	BEARING	1	608Z	65	6782-06010	COVER SET	1	
23	6782-13460	FELT	1		66	6782-13441	• COVER	1	
24	3884-11750-10	SCREW	1		67	6782-13470	• GASKET	1	
25	3880-11780	WASHER	6		68	6783-13450	• BOLT	4	M4x12
26	6598-13510	SCREW	3	L17					
27	6598-13530	SCREW	2	M5x20					
28	6782-13540	GUIDE PLATE	1						
29	6782-13550	PLATE	1						
30	6782-14470	NUT	2	M5					
31	3880-11790	NUT	4	M6					
32	6782-13650	WASHER	1	6x15x2.0					
33	6598-13430	BEARING	1	608 2RS					
34	04065-02212	SNAP RING	1						
35	T4008-06010	SHAFT KIT	1						
44	0280-10605	• NUT	1	M6					
45	0290-20615	WASHER	1						

Fig.3 ENGINE UNIT

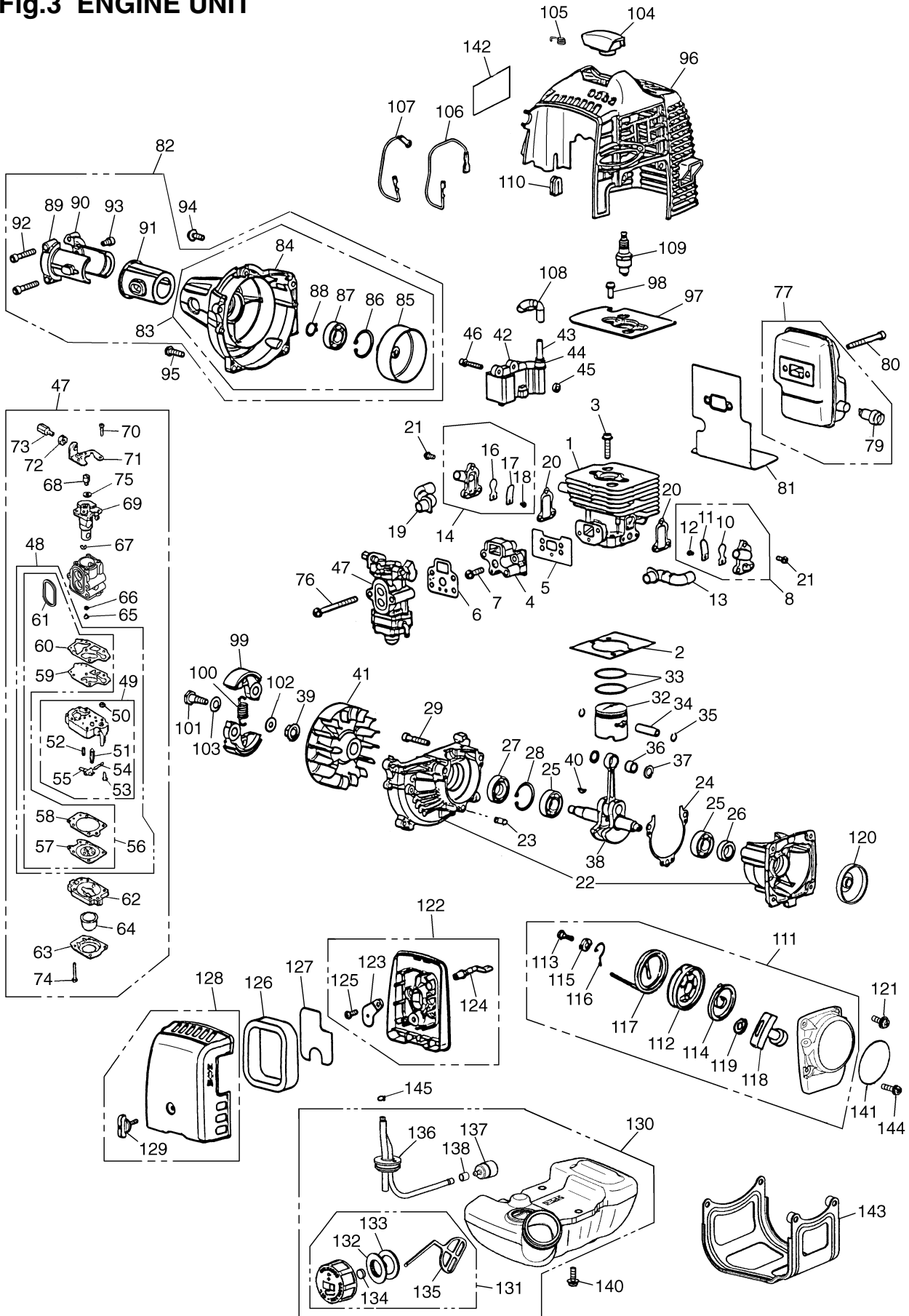


Fig.3 ENGINE UNIT

Key#	PART NUMBER	DESCRIPTION	Q'TY /UNIT	NOTE	Key#	PART NUMBER	DESCRIPTION	Q'TY /UNIT	NOTE
1	848F3012A2	CYLINDER	1		75	5500-81160	• WASHER	1	
2	4810-12210	GASKET, base	1		76	0263-90560	SCREW	2	M5x60
3	1850-12130	BOLT	2	M5x22	77	4810-15100	MUFFLER ASSY	1	
4	4810-13162	INSULATOR	1		79	4810-15140	• ARRESTER	1	
5	4810-13120	GASKET, insulator	1		80	01252-30550	BOLT	2	M5x50
6	4810-13130	GASKET, carburetor	1		81	T1501-15211	GASKET	1	
7	0263-90520	SCREW	2	M5x20	82	4810-31002	COVER ASSY	1	
8	848F301602	REEDVALVE (S) ASSY	1		83	4810-31102	• COVER COMP.	1	
10	4810-16120	• REEDVALVE	1		84	4810-31111	•• COVER, fan	1	
11	4810-16130	• STOPPER	1		85	848F3051A1	•• DRUM	1	
12	4810-16170	• SCREW	1	M3x8	86	04065-02812	•• SNAPRING	1	
13	4810-16150	PIRE AIR (S)	1		87	T1701-31150	•• BEARING	1	
14	848F301612	REEDVALVE (F) ASSY	1		88	04064-01210	•• SNAP RING	1	
16	4810-16120	• REEDVALVE	1		89	6470-31211	• BRACKET (A)	1	
17	4810-16130	• STOPPER	1		90	6470-31221	• BRACKET (B)	1	
18	4810-16170	• SCREW	1	M3x8	91	6470-31230	• CUSHION	1	
19	4810-16160	PIPE AIR (F)	1		92	01252-30530	• BOLT	2	M5x30
20	4810-16140	GASKET, valve	2		93	01252-30514	• BOLT	1	M5x14
21	4810-16180	SCREW	6		94	5500-85510	SCREW	1	M5x16
22	4810-21101	CRANKCASE COMP.	1		95	0263-90520	SCREW	4	M5x20
23	2629-21130	• PIN	3		96	4810-32111	COVER, engine	1	
24	4810-21140	GASKET	1		97	T1501-12310	PLATE	1	
25	06030-06001	BEARING	2		98	0263-90510	SCREW	2	M5x10
26	4810-21210	SEAL	1		99	4820-51110	SHOE	2	
27	1850-21220	SEAL	1		100	4820-51220	SPRING	1	
28	04065-02812	SNAP RING	1		101	1140-51250	SCREW	2	
29	01252-30530	BOLT	3	M5x30	102	1140-51230	WASHER	2	
32	4810-41110	PISTON	1		103	1140-51242	WASHER	2	
33	5910-41210	RING	2		104	4810-72111	CAP	1	
34	T1513-41310	PIN	1		105	1900-72120	SPRING	1	
35	1260-41320	RING	2		106	4810-71240	CORD	1	
36	5500-41410	BEARING	1		107	4810-71250	CORD, earth	1	
37	1101-41340	WASHER	2		108	T1512-71320	TUBE	1	
38	4810-42000	CRANKSHAFT COMP.	1		109	3699-91667	PLUG	1	
39	1650-43230	NUT	1		110	4810-72120	GROMMET	1	
40	1000-43240	KEY	1		111	4810-75100	RECOIL ASSY	1	
41	4810-71110	ROTOR	1		112	4500-75120	• REEL	1	
42	T1501-71200	COIL ASSY	1		113	4500-75150	• SCREW	1	
43	T1512-71220	• CORD	1		114	1850-75130	• SPRING, spiral	1	
44	2616-71320	• CAP	1		115	4500-75180	• COLLAR	1	
45	1260-71261	SPACER	2		116	4500-75190	• ARM	1	
46	4500-72150	BOLT	2	M4x22	117	4810-75160	• ROPE	1	
47	848F308103	CARBURETOR ASSY	1		118	3330-75421	• KNOB	1	
48	T1551-06030	• REBUILD KIT	1		119	4810-75170	• PLATE, stopper	1	
49	T1551-81450	•• BODY ASSY	1		120	4500-75210	PULLEY	1	
50	—————	••• SCREEN	—		121	5500-85510	SCREW	2	M5x16
51	—————	••• VALVE	—		122	4810-82100	BODY ASSY	1	
52	—————	••• SPRING	—		123	4810-82130	• PLATE, choke	1	
53	—————	••• SCREW	—		124	5500-82140	• LEVER, choke	1	
54	—————	••• PIN	—		125	2630-33610	• SCREW	1	
55	—————	••• LEVER	—		126	4810-82170	ELEMENT	1	
56	4810-06021	•• GASKET KIT	1		127	4810-82180	SCREEN	1	
57	—————	••• DIAPHRAGM	—		128	4810-82200	COVER ASSY	1	
58	—————	••• GASKET, diaphragm	—		129	5500-82221	• KNOB	1	
59	—————	••• DIAPHRAGM, pump	—		130	T1504-85002	TANK ASSY	1	
60	—————	••• GASKET, pump	—		131	T1015-85202	• CAP ASSY	1	
61	—————	••• RING	—		132	4500-85300	•• HOLDER ASSY	1	
62	1850-81490	• BODY, purge	1		133	4500-85220	•• PACKING	1	
63	1850-81520	• COVER, pump	1		134	5601-85260	•• FILTER	1	
64	1751-81510	• PUMP, priming	1		135	4820-85260	•• STOPPER	1	
65	T1505-81250	• JET	1		136	4810-85300	• PIPE COMP.	1	
66	1751-81240	• O-RING	1		137	3302-85400	• FLTER ASSY	1	
67	1751-81130	• RING	1		138	2841-31280	• COLLAR	1	
68	1881-81140	• SWIVEL	1		140	5500-85510	SCREW	3	M5x16
69	—————	• VALVE ASSY	—		141	T1504-75410	LABEL, recoil	1	
70	1752-81110	• SCREW	2		142	T1504-31130	LABEL, cover	1	
71	5500-81120	• BRACKET	1		143	T1506-31910	GUARD	1	
72	1751-81180	• NUT, adjuster	1		144	0263-90525	SCREW	2	
73	1918-81170	• SCREW, adjuster	1		145	1950-86120	CLIP	1	
74	1850-81530	• SCREW	4						



# **KOMATSU ZENOA CO.**

1-9 Minamidai, Kawagoe, Saitama, 350-1192 Japan

---

PRINTED IN JAPAN

PRINTED ON RECYCLED PAPER  
IMPRIMÉ SUR PAPIER RECYCLÉ  
GEDRUCKT AUF RECYCLING PAPIER  
STAMPATO SU CARTA RICICLATA  
IMPRESO EN PAPEL RECICLADO