



# PARTS LIST

## HEDGE TRIMMERS

**eHT752S**  
**eHT602D**

**NOTE :**

1. Use KOMATSU ZENOAH genuine parts specified in the parts list for repair and/or replacement.
2. KOMATSU ZENOAH does not warrant the machines, those which have been damaged by the use of any parts other than those specified by the company.
3. When placing orders of parts for repair and/or replacement, check if the model name and the serial number are suitable to those specified in the parts list, then use parts number described in the parts list.
4. The contents described in the parts list may change due to improvement.
5. The parts for the machine shall be supplied within ten (10) years after the machine is discontinued.  
[It is possible that some specific parts may be subject to change of their delivery term and list price within the limit of ten (10) years after the machine is discontinued. And it is also possible that some parts may be available even after the limit of ten (10) years.]

**APPLICABLE SERIAL NUMBERS :**

eHT752S : 50300000 and up  
eHT602D : 50300000 and up

March 2005

Fig.1 eHT752S DRIVE UNIT

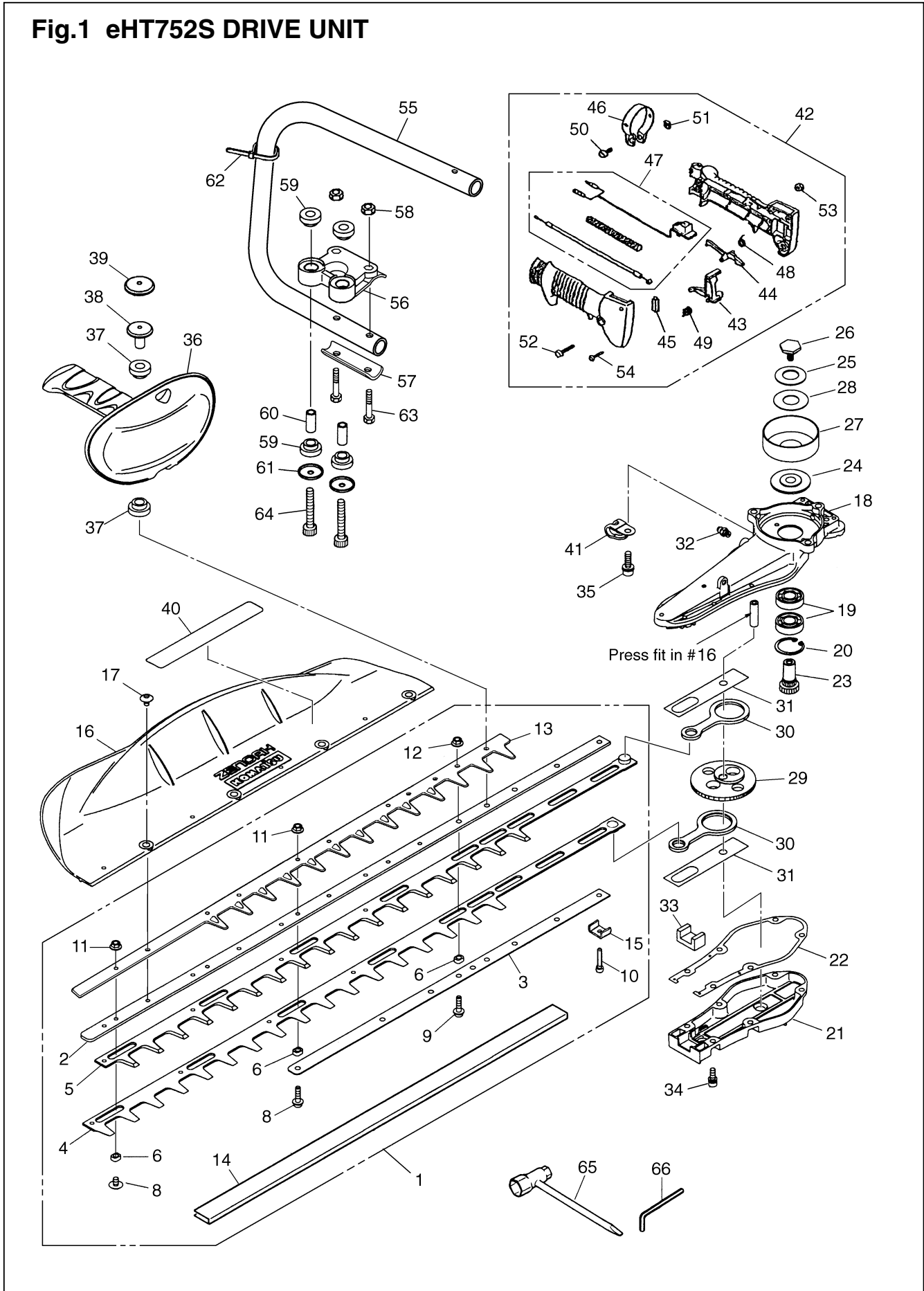


Fig.1 eHT752S DRIVE UNIT

Key#	PART NUMBER	DESCRIPTION	Q'TY /UNIT	NOTE	Key#	PART NUMBER	DESCRIPTION	Q'TY /UNIT	NOTE
1	848D3C6502	BLADE ASSY	1		46	1638-84160	• CLAMP	1	
2	T4503-11111	• PLATE, upper	1		47	T4519-13300	• CABLE COMP.	1	
3	T4539-11120	• PLATE, lower	1		48	1638-84170	• SPRING	1	
4	T4521-11210	• BLADE, lower	1		49	1638-84180	• SPRING	1	
5	T4521-11220	• BLADE, upper	1		50	0263-60620	• SCREW	1	
6	T4521-11311	• SPACER	9		51	1638-84190	• NUT	1	
8	T4520-11331	• BOLT, blade	4		52	0260-60535	• SCREW	1	
9	T1000-13170	• BOLT	3		53	1638-84210	• NUT	1	
10	8488452500	• BOLT	2		54	1638-84220	• SCREW	1	
11	T4531-11350	• NUT	4		55	T4519-32410	PIPE	1	
12	1610-13120	• NUT	1		56	T4519-32510	MOUNT	1	
13	T4519-11240	• GUARD	1		57	T4519-32520	PLATE	1	
14	T4519-11230	• COVER, blade	1		58	0280-10504	NUT	2	
15	848D3266E0	• BRACKET	1		59	T4503-31210	ABSORBER	4	
16	T4503-12114	PLATE	1		60	T4519-32220	COLLAR	2	
17	T4521-11330	BOLT, blade	4		61	T4503-32230	WASHER	2	
18	848D326111	GEARCASE COMP.	1		62	08034-20414	BAND	1	
19	06004-06001	BEARING	2		63	01252-30530	BOLT	2	
20	04065-02812	RING	1		64	3540-13260	BOLT	2	
21	T4503-21210	GEARCASE-BOTTOM	1		65	3320-91140	WRENCH	1	
22	T4521-21220	GASKET	1		66	09007-00425	WRENCH	1	
23	T4519-52110	GEAR-DRIVE	1						
24	T4503-52130	SPACER	1						
25	T4503-52140	WASHER	1						
26	T4503-52151	BOLT	1						
27	T4503-52121	DRUM	1						
28	T4503-52162	WASHER	1						
29	T4521-42210	GEAR	1						
30	T4503-42110	ROD	2						
31	T4503-42311	PLATE	2						
32	3199-13350	FITTING	1						
33	T4503-42410	FELT	1						
34	8488451600	BOLT	6						
35	3544-11510	BOLT	3						
36	T4503-31101	HANDLE-R COMP	1						
37	T4503-31210	ABSORBER	4						
38	T4503-31220	HOLDER	2						
39	T4503-31230	CAP	2						
40	848D3M90S0	LABEL	1						
41	1565-72311	CLAMP	1						
42	T4519-32100	LEVER ASSY	1						
43	1638-84130	• LEVER	1						
44	1638-84140	• LEVER	1						
45	6844-84150	• TOP	1						

Fig.2 eHT602D DRIVE UNIT

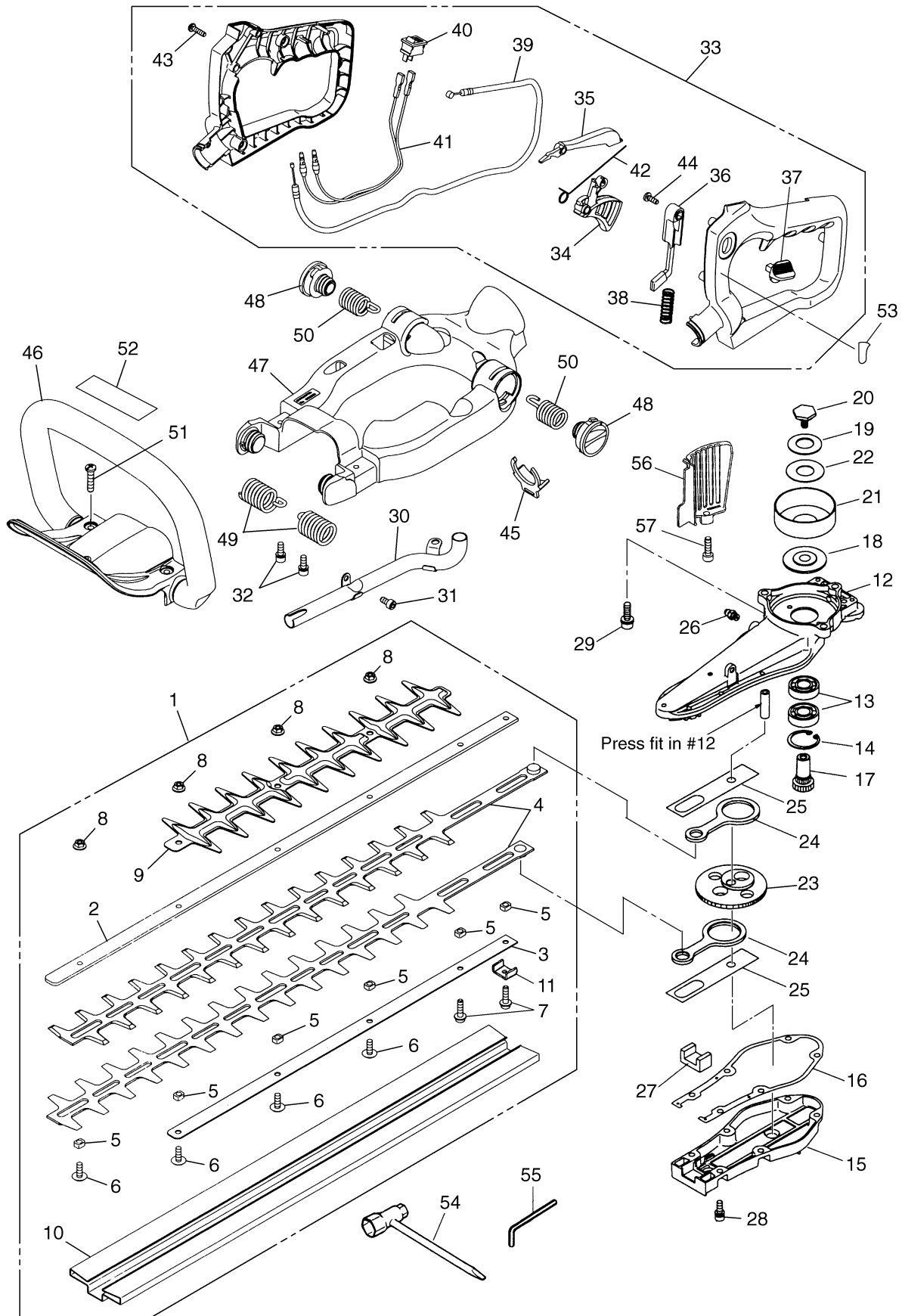
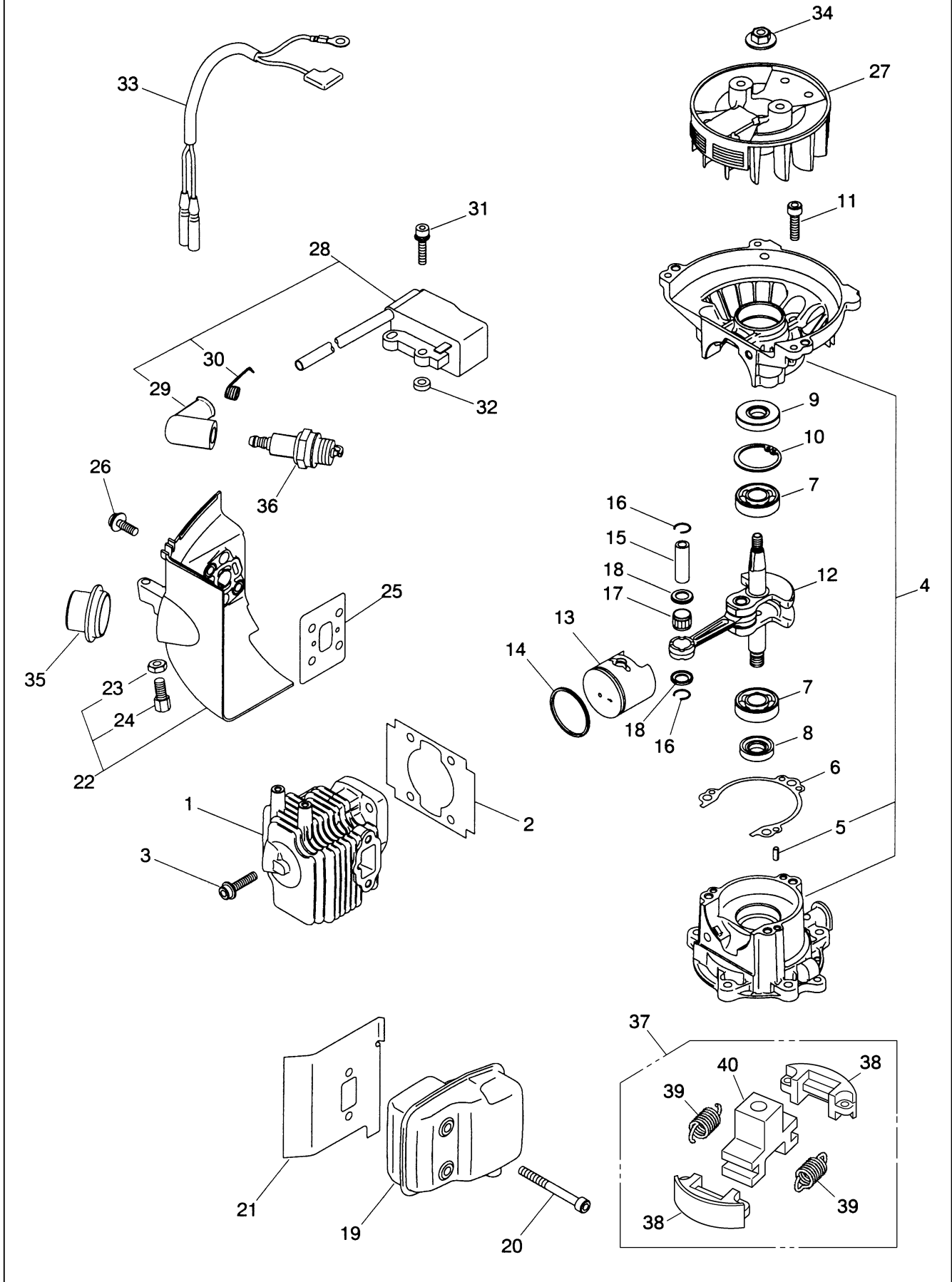


Fig.2 eHT602D DRIVE UNIT

Key#	PART NUMBER	DESCRIPTION	Q'TY /UNIT	NOTE	Key#	PART NUMBER	DESCRIPTION	Q'TY /UNIT	NOTE
1	848D476502	BLADE ASSY	1		46	T4506-32110	HANDLE-FRONT	1	
2	T4506-11110	• PLATE, upper	1		47	848D4535A0	FRAME	1	
3	T4540-11120	• PLATE, lower	1		48	T4506-41220	HOLDER-REAR	2	
4	T4540-11210	• BLADE	2		49	T4506-41310	SPRING (F)	2	
5	T4521-11311	• SPACER	6		50	T4506-41320	SPRING (R)	2	
6	T4520-11331	• SCREW	4		51	2630-32610	SCREW	2	
7	8488452500	• BOLT	2		52	848D4H90S0	LABEL	1	
8	T4538-11350	• NUT	4		53	T4535-12250	LABEL	1	
9	T4520-11240	• BLADE GUARD	1		54	3320-91140	WRENCH	1	
10	T4506-11230	• COVER, blade	1		55	09007-00425	WRENCH	1	
11	848D3266E0	• BRACKET	1		56	848D4563B0	GUARD	1	
12	848D326111	GEARCASE COMP.	1		57	01252-30620	BOLT	1	
13	06004-06001	BEARING	2						
14	04065-02812	RING	1						
15	T4503-21210	GEARCASE-BOTTOM	1						
16	T4521-21220	GASKET	1						
17	T4519-52110	GEAR-DRIVE	1						
18	T4503-52130	SPACER	1						
19	T4503-52140	WASHER	1						
20	T4503-52151	BOLT	1						
21	T4503-52121	DRUM	1						
22	T4503-52162	WASHER	1						
23	T4521-42210	GEAR	1						
24	T4503-42110	ROD	2						
25	T4503-42311	PLATE	2						
26	3199-13350	FITTING	1						
27	T4503-42410	FELT	1						
28	8488451600	BOLT	6						
29	3544-11510	BOLT	3						
30	848D4015E2	PIPE-EXHAUST	1						
31	01252-30510	BOLT	1						
32	3310-31720	BOLT	4						
33	T4506-31002	HANDLE REAR ASSY	1						
34	T4506-31210	• LEVER-THROTTLE	1						
35	T4506-31310	• ARM	1						
36	T4506-31412	• LEVER-LOCK	1						
37	T4506-31420	• KNOB	1						
38	T4506-31430	• SPRING	1						
39	T4506-51110	• CABLE COMP.	1						
40	T4506-52110	• SWITCH	1						
41	T4506-52120	• CODE COMP.	1						
42	3356-33321	• SPRING	1						
43	2630-31950	• SCREW	5						
44	2630-33610	• SCREW	1						
45	T4506-31511	STOPPER	1						

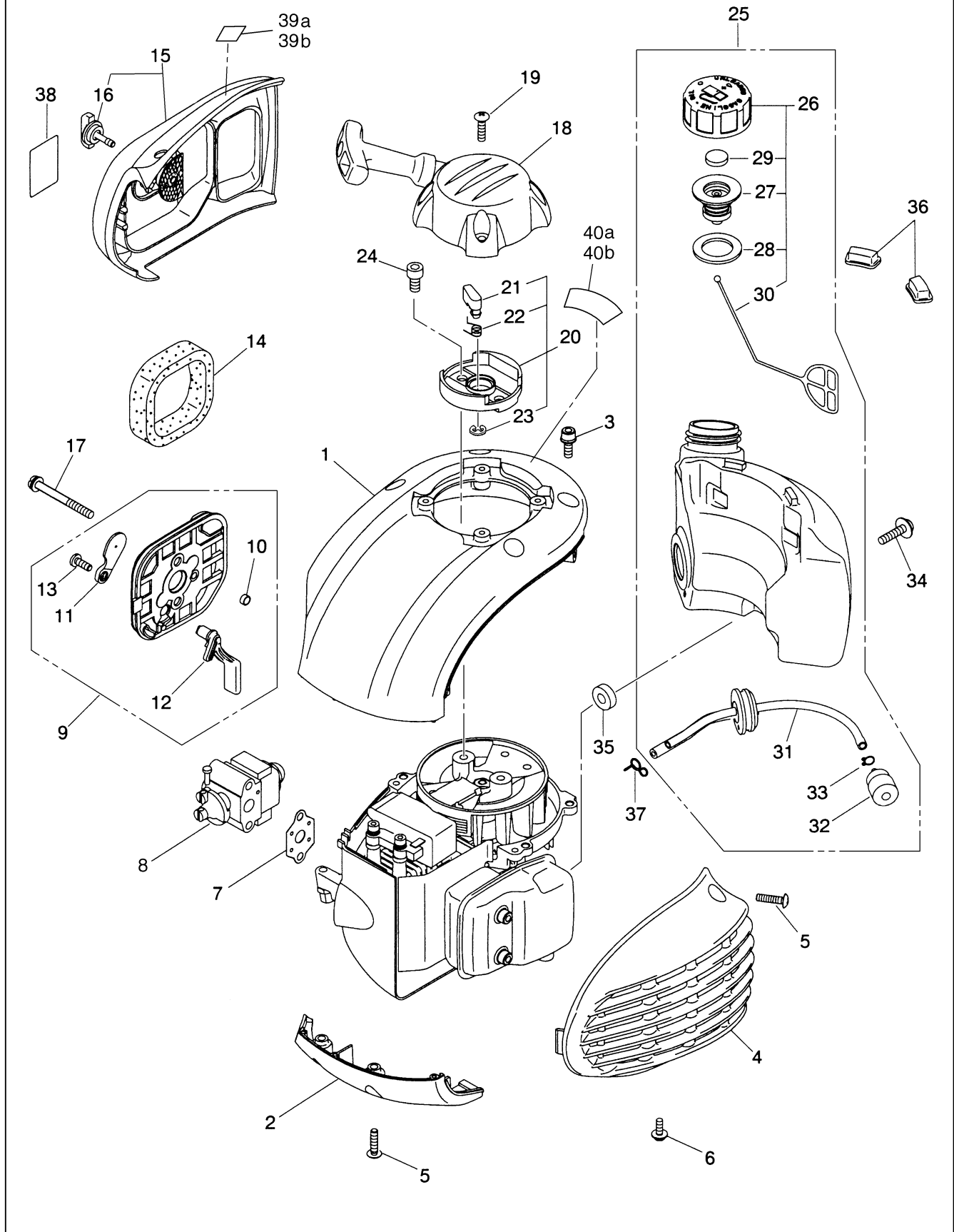
Fig.3 ENGINE (1)



**Fig.3 ENGINE (1)**

Key#	PART NUMBER	DESCRIPTION	Q'TY /UNIT	NOTE	Key#	PART NUMBER	DESCRIPTION	Q'TY /UNIT	NOTE
1	848E3Y12A0	CYLINDER	1						
2	848E0A12B0	GASKET	1						
3	1850-12130	BOLT	2						
4	848E022111	CRANKCASE COMP.	1						
5	2629-21130	• PIN	1						
6	T1600-21140	GASKET, case	1						
7	T1600-21240	BEARING	2						
8	T1600-21210	SEAL	1						
9	T1600-21220	SEAL	1						
10	04065-02612	RING	1						
11	01252-30520	BOLT	3						
12	848E024204	CRANKSHAFT COMP.	1						
13	1160-41110	PISTON	1						
14	1100-41210	RING	1						
15	1101-41310	PIN	1						
16	1260-41320	RING	2						
17	5500-41410	BEARING	1						
18	1101-41340	WASHER	2						
19	T1600-15110	MUFFLER	1						
20	01252-30550	BOLT	2						
21	848E0215C2	GASKET	1						
22	848E021403	INSULATOR COMP.	1						
23	0282-10604	• NUT	1						
24	T1600-13170	• ADJUST SCREW	1						
25	5500-13121	GASKET	1						
26	5500-85510	SCREW	2						
27	848E0J71A0	ROTOR	1						
28	848E0J7120	COIL ASSY	1						
29	T1600-72110	• CAP	1						
30	T1600-72120	• SPRING	1						
31	3350-14150	BOLT	2						
32	1260-71261	SPACER	2						
33	T1600-73200	CORD COMP	1						
34	2750-32620	NUT	1						
35	T1650-72140	CAP	1						
36	3699-90332	SPARKPLUG (NGK BPMR7A)	1						
37	T1666-51100	CLUTCH ASSY	1						
38	T1666-51110	• SHOE, clutch	2						
39	T1666-51230	• SPRING	2						
40	T1666-51210	• BOSS	1						

Fig.4 ENGINE (2)

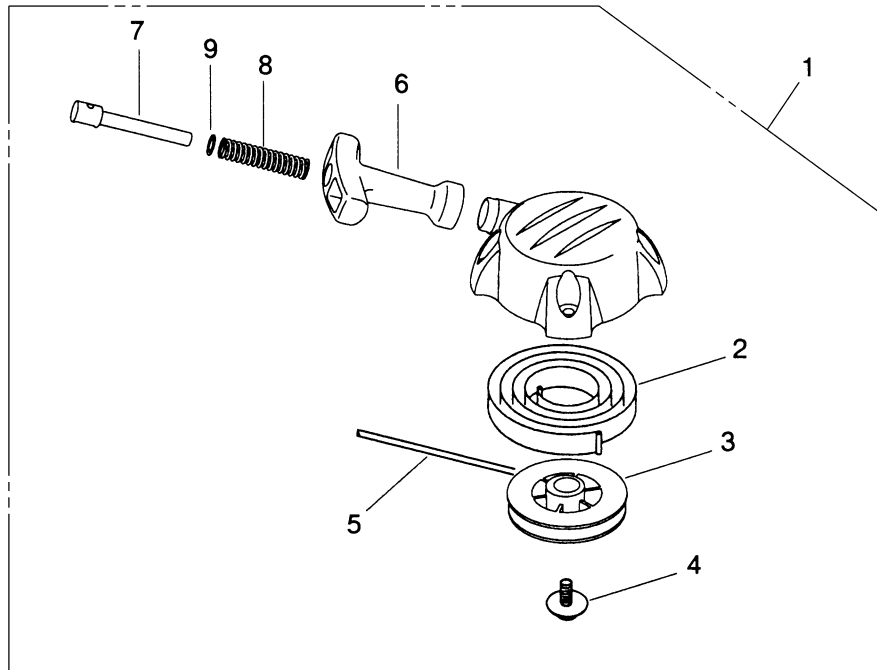




**Fig.4 ENGINE (2)**

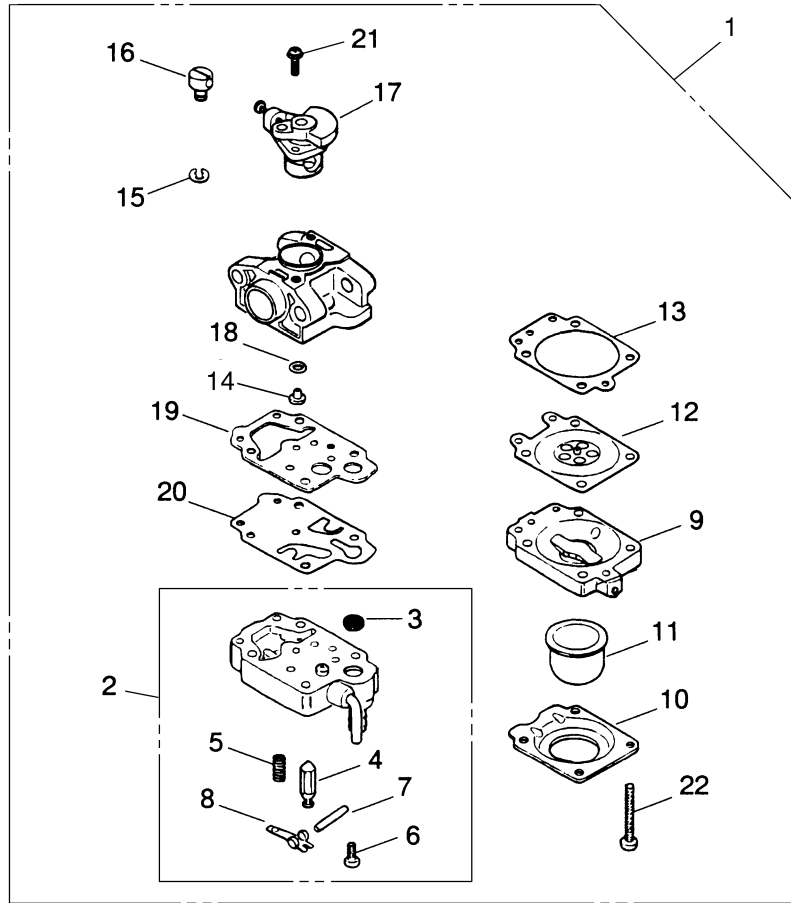
Key#	PART NUMBER	DESCRIPTION	Q'TY /UNIT	NOTE	Key#	PART NUMBER	DESCRIPTION	Q'TY /UNIT	NOTE
1	T1650-31111	COVER, front	1						
2	T1650-31122	COVER, rear	1						
3	3350-15250	BOLT	4						
4	848E0231P2	COVER, muffler	1						
5	T1650-31410	SCREW	3						
6	1850-32160	SCREW	1						
7	5500-13131	GASKET	1						
8	848E0J8100	CARBURETOR ASSY	1						
9	T1650-82100	BODY ASSY	1						
10	1970-82190	• SLEEVE	2						
11	T1650-82130	• PLATE, choke	1						
12	T1650-82140	• LEVER	1						
13	2630-33610	• SCREW	1						
14	848E0A83F0	ELEMENT	1						
15	T1650-82200	COVER ASSY	1						
16	5500-82221	• KNOB	1						
17	0263-90555	SCREW	2						
18	T1650-75100	RECOIL ASSY	1						
19	T1650-31410	SCREW	4						
20	848E027521	PULLEY ASSY	1						
21	1850-75220	• RATCHET	2						
22	T1650-75230	• SPRING	2						
23	1034-72180	• E-RING	2						
24	01252-30612	BOLT	2						
25	T1650-85002	TANK ASSY	1						
26	5607-85201	• CAP ASSY	1						
27	5601-85300	•• HOLDER ASSY	1						
28	5500-85220	•• PACKING	1						
29	5601-85260	•• FILTER	1						
30	4820-85260	•• STOPPER	1						
31	5500-85300	• PIPE COMP.	1						
32	5500-85400	• FILTER	1						
33	1260-85460	• CLIP	1						
34	1600-86120	SCREW	1						
35	1400-86271	CUSHION	1						
36	T1650-85521	ABSORBER	2						
37	1950-86120	CLIP	1						
38	T1652-82250	LABEL, caution	1						
39a	T2990-21060	LABEL, sound	1	eHT752S					
39b	T2990-21100	LABEL, sound	1	eHT602D					
40a	848D3M90B0	LABEL, name	1	eHT752S					
40b	848D4M90B0	LABEL, name	1	eHT602D					

**Fig.5 RECOIL STARTER**



Key#	PART NUMBER	DESCRIPTION	Q'TY /UNIT	NOTE	Key#	PART NUMBER	DESCRIPTION	Q'TY /UNIT	NOTE
1	T1650-75100	RECOIL ASSY	1						
2	T1600-75130	• SPRING, spiral	1						
3	1850-75120	• REEL	1						
4	1850-75151	• SCREW	1						
5	T1600-75160	• ROPE	1						
6	T1600-75310	• KNOB	1						
7	T1600-75321	• COLLAR	1						
8	T1600-75330	• SPRING	1						
9	T1600-75210	• WASHER	1						

**Fig.6 CARBURETOR**



Key#	PART NUMBER	DESCRIPTION	Q'TY /UNIT	NOTE	Key#	PART NUMBER	DESCRIPTION	Q'TY /UNIT	NOTE
1	848E0J8100	CARBURETOR ASSY	1	WYL-190A	20	1065-81420	• DIAPHRAGM	1	
2	1794-81450	• BODY ASSY	1		21	5850-81110	• SCREW	2	
3	3306-81380	•• SCREEN	1		22	1850-81530	• SCREW	4	
4	3356-81310	•• VALVE	1						
5	1794-81270	•• SPRING	1						
6	1850-81220	•• SCREW	1						
7	3310-81250	•• PIN	1						
8	3310-81230	•• LEVER	1						
9	1850-81490	• BODY	1						
10	1850-81520	• COVER	1						
11	1751-81510	• PUMP	1						
12	4810-81260	• DIAPHRAGM	1						
13	1850-81470	• GASKET	1						
14	5502-81250	• JET #39	1						
15	1751-81130	• RING	1						
16	1881-81140	• SWIVEL	1						
17	T1659-81150	• VALVE	1						
18	1751-81240	• O-RING	1						
19	1065-81410	• GASKET	1						



# **KOMATSU ZENOA CO.**

1-9 Minamidai, Kawagoe, Saitama, 350-1192 Japan

---

PRINTED IN JAPAN

PRINTED ON RECYCLED PAPER  
IMPRIMÉ SUR PAPIER RECYCLÉ  
GEDRUCKT AUF RECYCLING PAPIER  
STAMPATO SU CARTA RICICLATA  
IMPRESO EN PAPEL RECICLADO