



PARTS LIST

BRUSHCUTTERS

BK3501FL

BK4501FL

BK5301DL

NOTE :

1. Use KOMATSU ZENOAH genuine parts as specified in the parts list for repair and/or replacement.
2. KOMATSU ZENOAH does not warrant the machines, which have been damaged by the use of any parts other than those specified by the company.
3. When placing parts orders for repair and/or replacement, check if the model name and the serial number are applicable to those specified in the parts list, then use parts number described in the parts list.
4. The contents described in the parts list are accurate as of the date and may change due to improvement.
5. The parts for the machine shall be supplied ten (10) years after the machine is discontinued. [It is possible that some specific parts may be subject to change of their delivery term and list price within the limit of ten (10) years after the machine is discontinued. It is also possible that some parts may be available even after the limit of ten (10) years.]

APPLICABLE SERIAL NUMBERS:

200101 and up

November 2002

Fig.1 CUTTER GROUP

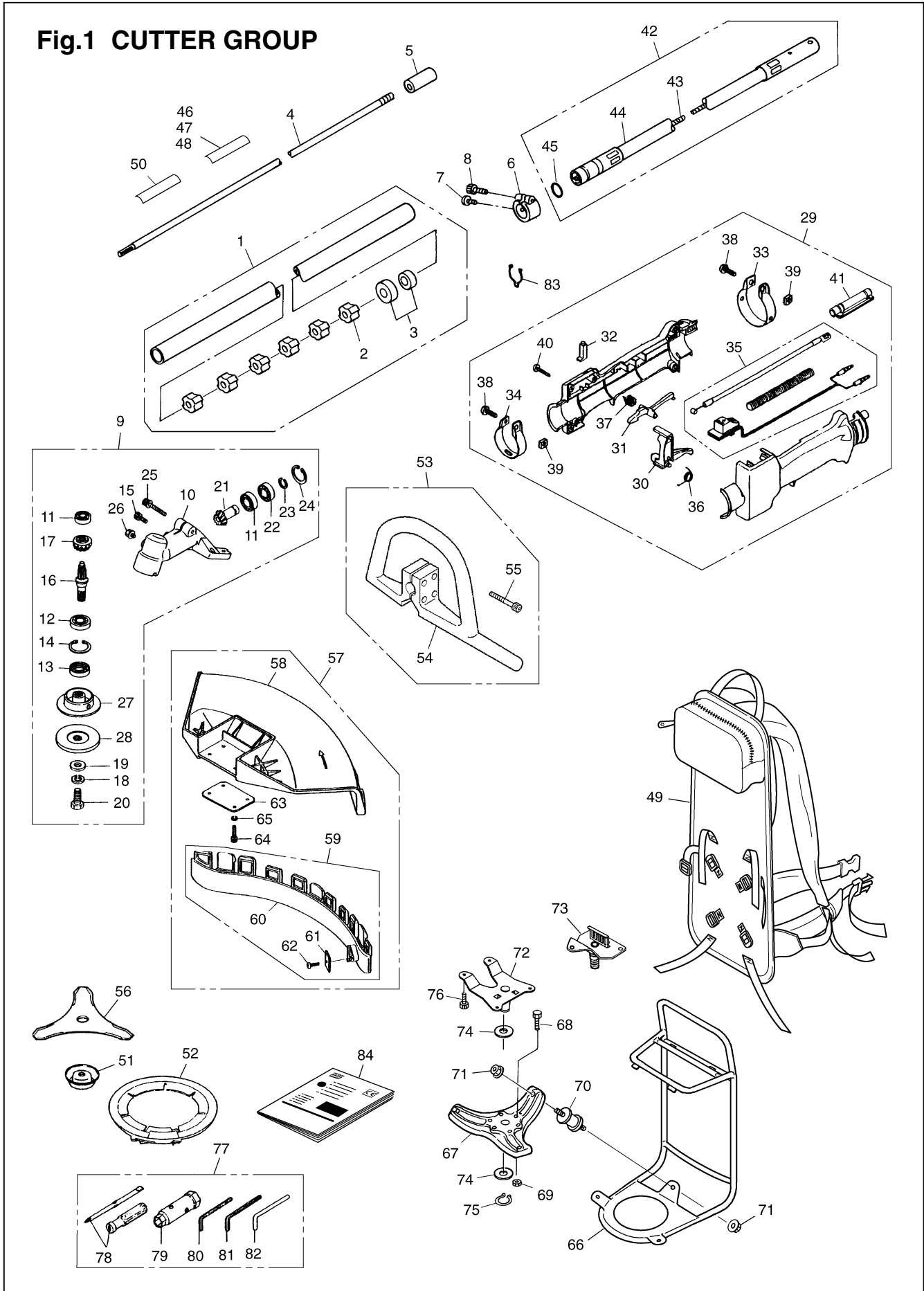


Fig.1 CUTTER GROUP

Key#	PART NUMBER	DESCRIPTION	Q'TY /UNIT	NOTE	Key#	PART NUMBER	DESCRIPTION	Q'TY /UNIT	NOTE
1	T3217-12100	PIPE-COMP ϕ 26xL1500(t1.5)	1		65	01601-20513	• WASHER	4	M5
2	3180-11321	• BUSHING	6		66	T1141-35100	FRAME COMP	1	
3	6129-12120	• BEARING-COMP	1		67	6129-51201	PLATE, ENGINE COMP	1	
4	6129-12210	SHAFT ϕ 7x1468	1		68	0224-30625	BOLT	1	M6x25
5	6129-12220	SHAFT, JOINT	1		69	0280-10605	NUT	1	M6
6	6129-12230	CLAMP	1		70	6129-51310	JOINT	3	
7	0263-10510	SCREW	1		71	1610-13120	NUT	6	M5xP0.8
8	01252-30520	BOLT	1		72	4551-13311	BRACKET, ENGINE	1	BK3501FL BK4501FL
9	6522-13000	GEARCASE ASS'Y	1		73	6129-51410	BRACKET, ENGINE	1	BK5301DL
10	6522-13110	• GEARCASE	1		74	01641-21423	WASHER	2	
11	06000-06000	• BEARING	2		75	04064-01510	SNAP RING	1	
12	06000-06202	• BEARING	1		76	3310-31720	BOLT	4	M5x14
13	3130-13141	• SEAL	1		77	T3113-91000	TOOL-SET	1	
14	04065-03515	• RING, SNAP	1		78	1030-91340	• DRIVER	1	
15	01252-30510	• BOLT	1	M5x10	79	3144-91160	• SOCKET	1	
16	3540-13212	• SHAFT	1		80	09007-00425	• WRENCH	1	
17	3540-13220	• GEAR	1		81	09007-00528	• WRENCH	1	
18	3544-13280	• WASHER	1	M10(L)	82	3540-91110	• BAR	1	
19	01643-31032	• WASHER	1		83	6044-21160	CLAMP	2	
20	3540-13290	• BOLT M10xP1.25x28(L)	1		84	T1251-93110	MANUAL	1	
21	6522-13310	• PINION	1						
22	06001-06000	• BEARING	1						
23	3180-13330	• RING	1						
24	04065-02612	• RING	1						
25	3540-13260	• BOLT	1	M6x35					
26	0224-40610	• BOLT	1	M6x10					
27	6251-13240	• HOLDER(A)	1						
28	3540-13251	• HOLDER(B)	1						
29	6178-12400	GRIP ASS'Y	1						
30	6464-12230	• LEVER, throttle	1						
31	6464-12240	• LEVER	1						
32	1638-84150	• STOPPER	1						
33	1638-84160	• CLAMP	1						
34	6464-12250	• CLAMP	1						
35	6178-12230	• CABLE-A	1						
36	1638-84170	• SPRING	1						
37	1638-84180	• SPRING	1						
38	0263-60620	• SCREW	2	M6x20					
39	1638-84190	• NUT	2	M6xP1.0					
40	1638-84220	• SCREW, tapping	4	TP4xL18					
41	6178-12530	• JOINT	1						
42	6129-21000	SHAFT, FLEX-ASSY	1						
43	6129-21110	• SHAFT-FLEX ϕ 7.8xL845	1						
44	6129-21120	• LINER ϕ 22.5xL840	1						
45	07000-12018	• O-RING ϕ 17.8x ϕ 2.4	1						
46	T3223-12510	PLATE NAME	1	BK3501DL					
47	T3224-12510	PLATE NAME	1	BK4501FL					
48	T3225-12510	PLATE NAME	1	BK5301FL					
49	T1141-37100	BACK CUSHION	1						
50	6425-12552	PLATE	1						
51	3540-13283	COVER	1						
52	6251-15910	COVER	1						
53	T3112-14000	HANDLE ASS'Y	1						
54	T3112-14110	• HANDLE	1						
55	0263-90530	• SCREW	4						
56	6298-E3390	SAW	1						
57	6489-24000	GUARD-ASS'Y	1						
58	6489-24110	• GUARD	1						
59	6489-24200	• PLATE-COMP	1						
60	6489-24210	•• PLATE	1						
61	6489-24220	•• BLADE	1						
62	0277-10412	•• SCREW, tapping	1	TP4x12					
63	6489-24120	• PLATE	1						
64	01252-30516	• BOLT	4	M5x16					

Fig.2 ENGINE GROUP

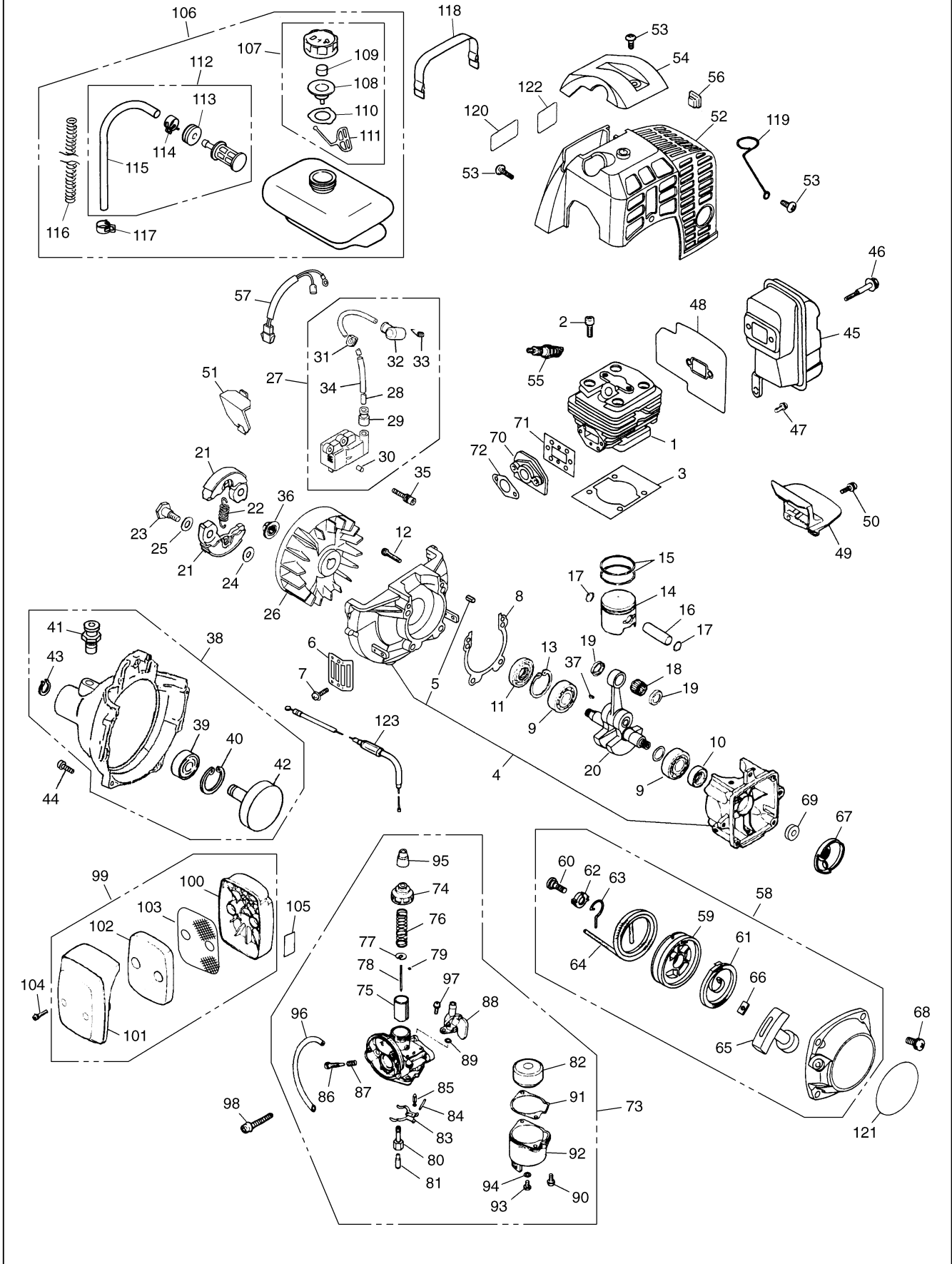


Fig.2 ENGINE GROUP

Key#	PART NUMBER	DESCRIPTION	Q'TY /UNIT	NOTE	Key#	PART NUMBER	DESCRIPTION	Q'TY /UNIT	NOTE
1	T1151-12110	CYLINDER	1		69	4700-75310	COLLAR	1	
2	1850-12130	BOLT	4	M5x22	70	4550-13160	INSULATOR	1	
3	4500-13120	GASKET, base	1		71	4500-13150	GASKET, insulator	1	
4	4500-21101	CRANKCASE COMP.	1		72	4550-13130	GASKET, carburetor	1	
5	2629-21130	• PIN	3		73	T1151-81001	CARBURETOR ASS'Y	1	G11P-1S
6	4500-22110	GARD	1		74	1650-81122	• CAP, BODY	1	
7	0263-90514	SCREW	1	M5x14	75	T1151-81150	• VALVE, THROTTLE	1	
8	4500-21140	GASKET, case	1		76	1030-81000-14	• SPRING, THROTTLE	1	
9	06030-06201	BEARING	2		77	1030-81000-17	• SPRING RECEIVE	1	
10	4810-21210	SEAL	1		78	T1151-81210	• NEEDLE, JET	1	
11	1650-21220	OIL SEAL	1		79	1030-81000-16	• CLIP	1	
12	01252-30530	BOLT	4	M5x30	80	1400-81230	• JET, NEEDLE	1	NJ ø2.097
13	04065-03212	SNAP RING	1		81	T1151-81240	• JET, MAIN	1	#59
14	4700-41110	PISTON	1		82	1335-81180	• FLOAT	1	
15	1650-41210	RING	2		83	1400-81340	• HINGE	1	
16	1030-41310	PIN	1		84	1400-81350	• PIN	1	
17	1300-41320	RING	2		85	1650-81361	• VALVE	1	
18	T2100-41410	BEARING	1		86	1650-81251	• SCREW, ADJUST	1	
19	2850-41510	WASHER	2		87	1650-81260	• SPRING, ADJUST	1	
20	4500-42000	CRANKSHAFT COMP.	1		88	1403-81500	• COCK	1	
21	1400-51111	SHOE, clutch	2		89	1400-81540	• RING	1	
22	1651-51220	SPRING	1		90	0260-10410	• SCREW	2	
23	1200-51211	SCREW	2		91	1400-81320	• PACKING	1	
24	1200-51230	WASHER	2		92	1400-81310	• CHAMBER	1	
25	1200-51241	WASHER	2		93	1400-81650	• SCREW, DRAIN	1	
26	T1153-71110	ROTOR	1		94	1400-81660	• PACKING	1	
27	T1153-71200	COIL ASS'Y	1		95	1141-81120	• CAP	1	
28	4500-71220	• CORD	1		96	1650-81710	• PIPE	1	
29	2616-71320	• CAP	1		97	0260-10412	• SCREW	2	M4x16
30	T1153-71250	• PIN	2		98	0263-90565	SCREW	2	
31	5500-72130	• GROMMET	1		99	1400-82002	CLEANER ASS'Y	1	
32	5500-72110	• CAP, plug	1		100	1400-82113	• BODY	1	
33	5500-72120	• SPRING	1		101	1400-82121	• COVER	1	
34	T1512-71320	• TUBE	1		102	1418-82130	• ELEMENT	1	
35	3350-14150	BOLT	2	M4x20	103	1400-82141	• SCREEN	1	
36	1650-43230	NUT	1	M8xP1.0	104	4550-82150	SCREW	2	M4x25
37	1000-43240	KEY	1		105	1133-82060	LABEL	1	
38	T1173-31100	HOUSING ASS'Y	1		106	T1055-85000	TANK ASS'Y	1	
39	06002-06001	• BEARING	1		107	2133-85302	• CAP ASS'Y	1	
40	04065-02812	• RING	1		108	4570-85230	•• CAP INNER	1	
41	T3087-12600	• STOPPER COMP	1		109	1030-85141	•• ELEMENT	1	
42	6278-12311	• DRUM	1		110	4500-85220	•• PACKING	1	
43	04064-01210	• SNAP RING	1		111	3317-57242	•• STOPPER	1	
44	3310-12281	SCREW	4	M5x20	112	4551-85101	• JOINT ASS'Y	1	
45	T1024-15110	MUFFLER	1		113	1400-85141	•• GROMMET	1	
46	01252-30560	BOLT	2	M5x60	114	3063-22510	•• CLIP	1	
47	3310-31720	BOLT	1	M5x14	115	4551-86111	•• PIPE	1	
48	4700-15211	GASKET	1		116	3570-15311	• SPRING	1	
49	4500-15221	PLATE	1		117	3063-22510	• CLIP	1	
50	0263-90514	SCREW	1		118	1535-85520	BAND	2	
51	4500-31210	PLATE	1		119	2193-86150	CLAMP	1	
52	4550-32110	COVER	1		120	1660-31121	LABEL COVER	1	
53	4500-32120	SCREW	4	M5x12	121	T1072-75410	LABEL RECOIL	1	
54	4500-32210	GUARD	1		122	2634-31420	LABEL	1	
55	5933-73110	SPARKPLUG NGK BPMR7A	1		123	T1062-83100	CABLE-C	1	
56	1852-72121	GROMMET	1						
57	T1183-73200	CORD COMP	1						
58	4500-75100	RECOIL ASS'Y	1						
59	4500-75120	• REEL	1						
60	4500-75150	• SCREW	1						
61	1850-75130	• SPRING, spiral	1						
62	4500-75180	• COLLAR	1						
63	4500-75190	• ARM	1						
64	4500-75160	• ROPE	1						
65	1140-75320	• KNOB	1						
66	5500-75170	• PLATE, stopper	1						
67	4500-75210	PULLEY	1						
68	4500-75511	SCREW	4	M6x14					

Fig.3 ENGINE GROUP

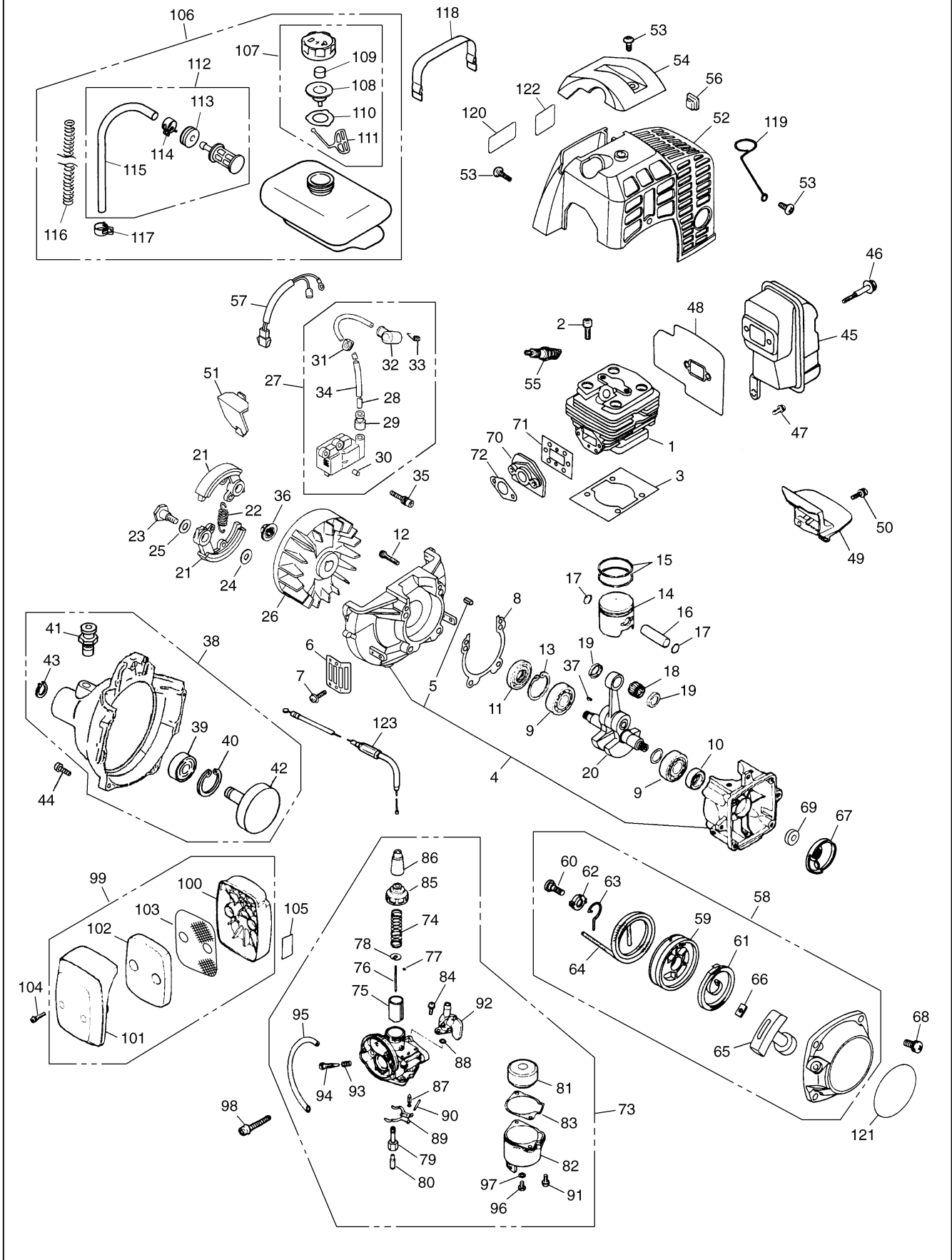


Fig.3 ENGINE GROUP

Key#	PART NUMBER	DESCRIPTION	Q'TY /UNIT	NOTE	Key#	PART NUMBER	DESCRIPTION	Q'TY /UNIT	NOTE
1	4500-12110	CYLINDER	1		69	4700-75310	COLLOR	1	
2	1850-12130	BOLT	4	M5x22	70	4550-13160	INSULATOR	1	
3	4500-13120	GASKET, base	1		71	4500-13150	GASKET, insulator	1	
4	4500-21101	CRANKCASE COMP.	1		72	4550-13130	GASKET, carburetor	1	
5	2629-21130	• PIN	3		73	T1162-81000	CARBURETOR ASS'Y	1	G12P-1A
6	4500-22110	GARD	1		74	1335-81060	• SPRING	1	
7	0263-90514	SCREW	1	M5x14	75	4550-81150	• VALVE, THROTTLE	1	
8	4500-21140	GASKET, case	1		76	4550-81210	• NEEDLE, JET	1	
9	06030-06201	BEARING	2		77	1030-81000-16	• CLIP	1	
10	4810-21210	SEAL	1		78	T1012-81070	• RECEIVE	1	
11	1650-21220	OIL SEAL	1		79	1620-81230	• JET, NEEDLE	1	
12	01252-30530	BOLT	4	M5x30	80	1620-81240	• JET, MAIN	1	#67
13	04065-03212	SNAP RING	1		81	1335-81180	• FLOAT	1	
14	4500-41110	PISTON	1		82	1400-81310	• CHAMBER	1	
15	1400-41220	RING	2		83	1400-81320	• PACKING	1	
16	2850-41310	PIN	1		84	0260-10412	• SCREW	2	M4x16
17	1300-41320	RING	2		85	1650-81121	• CAP, BODY	1	
18	T2100-41410	BEARING	1		86	1141-81120	• CAP	1	
19	2850-41510	WASHER	2		87	1400-81361	• VALVE, NEEDLE	1	
20	4500-42000	CRANKSHAFT COMP.	1		88	1400-81540	• O-RING	1	
21	4500-51111	SHOE, clutch	2		89	1400-81340	• HINGE	1	
22	4500-51220	SPRING	1		90	1400-81350	• PIN	1	
23	1200-51211	SCREW	2		91	0260-10410	• SCREW	2	M3x6
24	1200-51230	WASHER	2		92	1403-81500	• COCK ASS'Y	1	
25	1200-51241	WASHER	2		93	1650-81260	• SPRING	1	
26	T1153-71110	ROTOR	1		94	2751-81250	• SCREW, ADJUSTER	1	
27	T1162-71200	COIL ASS'Y	1		95	4550-81710	• PIPE	1	
28	4500-71220	• CORD	1		96	1400-81650	• SCREW, DRAIN	1	
29	2616-71320	• CAP	1		97	1400-81660	• PACKING	1	
30	T1153-71250	• PIN	2		98	0263-90565	SCREW	2	M5x60
31	5500-72130	• GROMMET	1		99	1400-82002	CLEANER ASS'Y	1	
32	5500-72110	• CAP, plug	1		100	1400-82113	• BODY	1	
33	5500-72120	• SPRING	1		101	1400-82121	• COVER	1	
34	T1512-71320	• TUBE	1		102	1418-82130	• ELEMENT	1	
35	3350-14150	BOLT	2	M4x20	103	1400-82141	• SCREEN	1	
36	1650-43230	NUT	1	M8xP1.0	104	4550-82150	SCREW	2	M4x25
37	1000-43240	KEY	1		105	1133-82060	LABEL	1	
38	T1173-31100	HOUSING ASS'Y	1		106	T1055-85000	TANK ASS'Y	1	
39	06002-06001	• BEARING	1		107	2133-85302	• CAP ASS'Y	1	
40	04065-02812	• RING	1		108	4570-85230	•• CAP INNER	1	
41	T3087-12600	• STOPPER COMP	1		109	1030-85141	•• ELEMENT	1	
42	6278-12311	• DRUM	1		110	4500-85220	•• PACKING	1	
43	04064-01210	• SNAP RING	1		111	3317-57242	•• STOPPER	1	
44	3310-12281	SCREW	4	M5x20	112	4551-85101	• JOINT ASS'Y	1	
45	4550-15110	MUFFLER	1		113	1400-85141	•• GROMMET	1	
46	01252-30565	BOLT	2	M5x65	114	3063-22510	•• CLIP	1	
47	3310-31720	BOLT	1	M5x14	115	4551-86111	•• PIPE	1	
48	4700-15211	GASKET	1		116	3570-15311	• SPRING	1	
49	4500-15221	PLATE	1		117	3063-22510	• CLIP	1	
50	0263-90514	SCREW	1		118	1535-85520	BAND	2	
51	4500-31210	PLATE	1		119	2193-86150	CLAMP	1	
52	4550-32110	COVER	1		120	1660-31121	LABEL COVER	1	
53	4500-32120	SCREW	4	M5x12	121	T1117-75411	LABEL RECOIL	1	
54	4500-32210	GUARD	1		122	2634-31420	LABEL	1	
55	5933-73110	SPARKPLUG NGK BPMR7A	1		123	T1062-83100	CABLE-C	1	
56	1852-72121	GROMMET	1						
57	T1183-73200	CORD COMP	1						
58	4500-75100	RECOIL ASS'Y	1						
59	4500-75120	• REEL	1						
60	4500-75150	• SCREW	1						
61	1850-75130	• SPRING, spiral	1						
62	4500-75180	• COLLAR	1						
63	4500-75190	• ARM	1						
64	4500-75160	• ROPE	1						
65	1140-75320	• KNOB	1						
66	5500-75170	• PLATE, stopper	1						
67	4500-75210	PULLEY	1						
68	4500-75511	SCREW	4	M6x14					

Fig.4 ENGINE GROUP

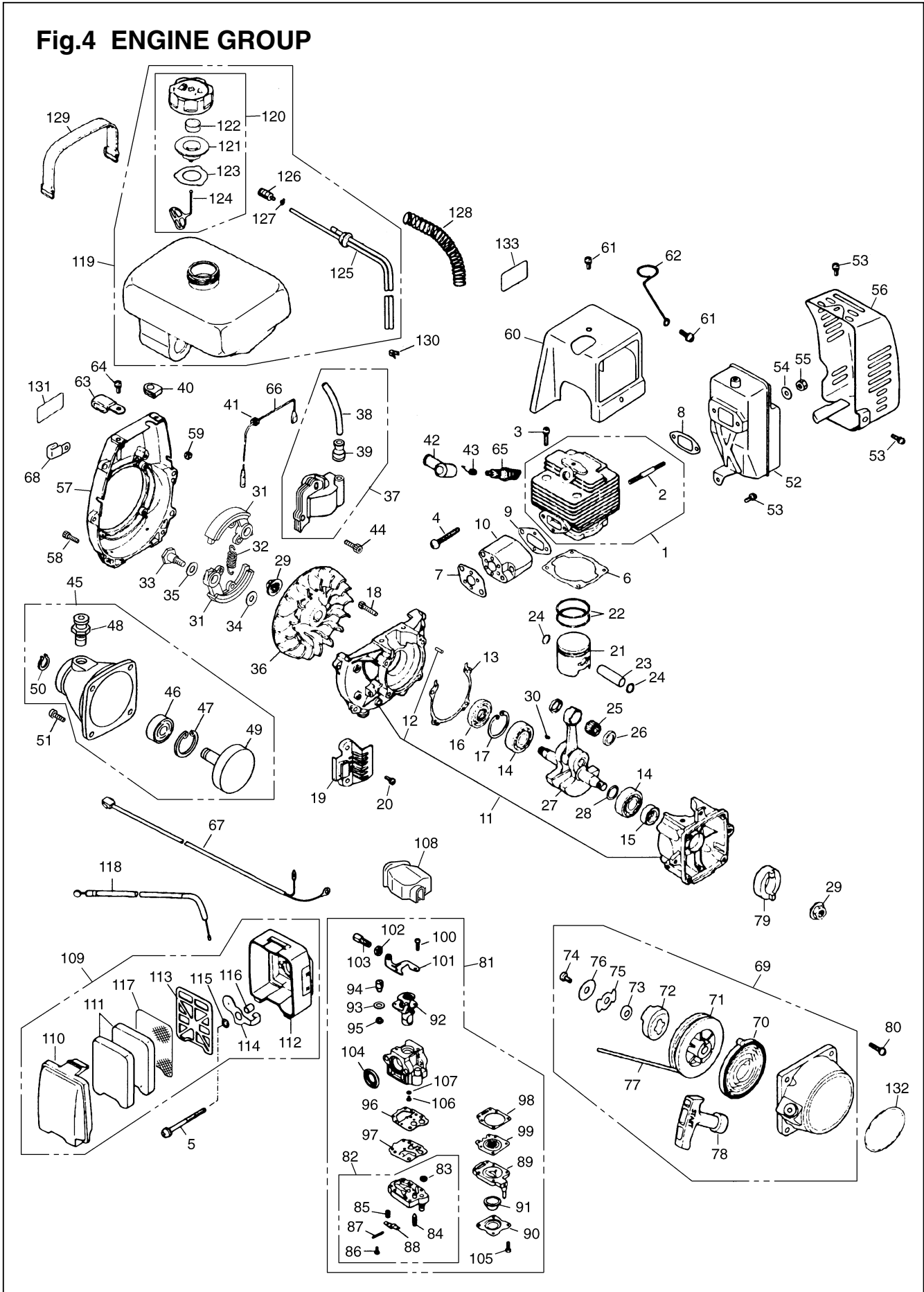


Fig.4 ENGINE GROUP

Key#	PART NUMBER	DESCRIPTION	Q'TY /UNIT	NOTE	Key#	PART NUMBER	DESCRIPTION	Q'TY /UNIT	NOTE
1	1580-12101	CYLINDER COMP	1		69	1487-75101	RECOIL ASS'Y	1	
2	1580-12150	• STUD	2		70	1180-75221	• SPRING	1	
3	1850-12130	BOLT	4	M5x22	71	1487-75120	• REEL	1	
4	0260-30540	SCREW	2	M5x40	72	1487-75140	• DOG	1	
5	0260-30560	SCREW	2	M5x60	73	1861-75150	• WASHER	1	
6	1400-13122	GASKET, base	1		74	1483-75270	• SCREW	1	
7	1460-13131	GASKET, cab	1		75	1487-75160	• RETAINER	1	
8	1580-13141	GASKET, muffler	1		76	1487-75170	• WASHER	1	
9	1400-13151	GASKET, insulator	1		77	1400-75160	• ROPE	1	
10	1460-13163	INSULATOR	1		78	1400-75170	• KNOB	1	
11	1400-21100	CRANKCASE COMP	1		79	1487-75211	PULLEY	1	
12	2629-21130	• PIN	3		80	0263-90520	SCREW	4	M5x20
13	1400-21141	GASKET, case	1		81	1587-81003	CARBURETOR ASS'Y	1	WYK-36A
14	06030-06202	BEARING	2		82	1850-81450	• BODY ASS'Y	1	
15	1520-21220	SEAL	1		83	3306-81380	•• SCREEN	1	
16	1400-21220	SEAL	1		84	3356-81310	•• VALVE	1	
17	04065-03515	SNAP RING	1		85	1850-81270	•• SPRING	1	
18	01252-30530	BOLT	4	M5x30	86	1850-81220	•• SCREW	1	
19	2155-21311	GUARD	1		87	3310-81250	•• PIN	1	
20	0263-90514	SCREW	2	M5x14	88	3310-81230	•• LEVER	1	
21	3360-41110	PISTON	1		89	1850-81490	• BODY	1	
22	3360-41211	RING	2		90	1850-81520	• COVER	1	
23	3360-41310	PIN	1		91	1751-81510	• PUMP	1	
24	3350-41320	RING	2		92	1587-81151	• VALVE, THROTTLE	1	
25	1400-41410	BEARING	1		93	5500-81160	• WASHER	1	
26	2670-41510	WASHER	2		94	1881-81140	• SWIVEL	1	
27	1400-42002	CRANKSHAFT COMP.	1		95	1751-81130	• E-RING	1	
28	1300-42410	SHIM	1		96	1065-81410	• GASKET	1	
29	1400-43230	NUT	2	M10xP1.0	97	1065-81420	• DIAPHRAGM, pump	1	
30	1000-43240	KEY	1		98	1850-81470	• GASKET	1	
31	4500-51111	SHOE, clutch	2		99	3310-81260	• DIAPHRAGM ASS'Y	1	
32	4500-51220	SPRING	1		100	1752-81110	• SCREW	2	
33	1200-51211	SCREW	2		101	5500-81120	• BRACKET	1	
34	1200-51230	WASHER	2		102	1751-81180	• NUT	1	
35	1200-51241	WASHER	2		103	1601-81180	• SCREW	1	
36	2073-71110	ROTOR	1		104	1881-81130	• RING, PACKING	1	
37	2104-71200	COIL ASS'Y	1		105	1850-81530	• SCREW	4	
38	2104-71220	• CORD	1		106	1587-81610	• JET	1	#55
39	2616-71320	• CAP	1		107	1751-81240	• O-RING	1	
40	5500-72130	GROMMET	1		108	4500-81910	COVER	1	
41	1100-72120	GROMMET	1		109	1918-82001	CLEANER ASS'Y	1	
42	5500-72110	CAP, plug	1		110	1918-82110	• COVER	1	
43	1900-72120	SPRING	1		111	1918-82120	• FILTER	2	
44	0263-90520	SCREW	2	M5x20	112	1918-82130	• HOUSING	1	
45	6129-11100	HOUSING ASS'Y	1		113	1918-82140	• PLATE	1	
46	06002-06001	• BEARING	1		114	1918-82150	• CHOKE VALVE	1	
47	04065-02812	• RING	1		115	1918-82160	• WASHER	1	
48	3577-12200	• STOPPER COMP	1		116	1918-82170	• SLEEVE	2	
49	6278-12311	• DRUM	1		117	1918-82180	• SCREEN	1	
50	04064-01210	• SNAP RING	1		118	1588-83100	CABLE COMP	1	
51	6468-91150	SCREW	4		119	1586-85001	TANK ASS'Y	1	
52	1418-15110	MUFFLER	1		120	2133-85302	• CAP ASS'Y	1	
53	0263-90512	SCREW	4	M5x12	121	4570-85230	•• CAP INNER	1	
54	1140-51230	WASHER	2		122	1030-85141	•• ELEMENT	1	
55	1580-15230	NUT	2	M6xP1.0	123	4500-85220	•• PACKING	1	
56	1411-15410	COVER	1		124	3317-57242	•• STOPPER	1	
57	1400-31113	COVER, FAN	1		125	6044-15202	• PIPE COMP	1	
58	3310-12281	BOLT	4	M5x20	126	3302-85400	• FILTER	1	
59	1100-72120	GROMMET	1		127	1260-85460	• CLIP	1	
60	1411-32111	COVER	1		128	6044-15310	SPRING	1	
61	0263-90512	SCREW	2	M5x12	129	1535-85520	BAND	2	
62	2193-86150	CLAMP	1		130	6086-85470	CLIP	1	
63	1140-72231	CLAMP	1		131	1660-31121	LABEL COVER	1	
64	0263-90512	SCREW	1	M5x12	132	1580-75412	LABEL RECOIL	1	
65	5535-73110	SPARKPLUG NGK BPMR6A	1		133	2634-31420	LABEL	1	
66	2132-71240	CORD	1						
67	1621-14400	CORD COMP	1						
68	3294-18150	CLAMP	1						



KOMATSU ZENOAH CO.

1-9 Minamidai, Kawagoe, Saitama, 350-1192 Japan

PRINTED IN JAPAN

PRINTED ON RECYCLED PAPER
IMPRIMÉ SUR PAPIER RECYCLÉ
GEDRUCKT AUF RECYCLING PAPIER
STAMPATO SU CARTA RICICLATA
IMPRESO EN PAPEL RECICLADO