



PARTS LIST

BRUSHCUTTERS

BK346FL

BK436FL

BL531DL

APPLICABLE SERIAL NUMBERS

DECEMBER 1994

DRIVE UNIT	504001 and up
ENGINE UNIT	500001 and up

Fig.1 DRIVE UNIT & ACCESSORIES

Key#	PART NUMBER	DESCRIPTION	QTY /UNIT	NOTE	Key#	PART NUMBER	DESCRIPTION	QTY /UNIT	NOTE
1	6044-13111	PLATE (A)	1		61	6522-13310	PINION	1	
2	6044-14111	FRAME	1		62	06000-06000	BEARING	1	
3	3570-13150	JOINT	3		63	06001-06000	BEARING	1	
4	3577-14310	PAD	1		64	3180-13330	RING	1	
5	1610-13120	NUT	6		65	04065-02612	RING	1	
6	3050-25120	CLIP	6		66	6251-13240	HOLDER (A)	1	
7	2193-13310	PLATE (B)	1		67	3540-13251	HOLDER (B)	1	
8	3310-31720	BOLT	3		68	3544-13280	WASHER	1	
9	2091-13120	NUT	1		69	01643-31032	WASHER	1	
10	3577-14501	BAND (R) ASS'Y	1		70	3540-13290	BOLT	1	
11	3405-21410	BAND	1		71	01252-30510	BOLT	1	
12	3405-21420	PAD	1		72	3540-13260	BOLT	1	
13	3577-14531	TIE (R)	1		73	00224-40610	BOLT	1	
14	3577-14601	BAND (L) ASS'Y	1		74	6528-14300	HANDLE	1	
15	3405-21410	BAND	1		75	6462-14320	CLAMP	1	
16	3405-21420	PAD	1		76	0263-90535	SCREW	4	
17	3577-14631	TIE (L)	1		77	6489-24000	GUARD ASS'Y	1	
18	3577-14710	SCREW	2		78	6489-24110	GUARD	1	
19	3050-25251	NUT	2		79	6489-24200	PLATE COMP	1	
20	1587-11101	HOUSING ASS'Y	1		80	6489-24210	PLATE	1	
21	1587-11111	HOUSING	1		81	6489-24220	BLADE	1	
22	06002-06001	BEARING	1		82	00277-10412	SCREW	1	
23	04065-02812	SNAP RING	1		83	6489-24120	PLATE	1	
24	3577-12200	STOPPER	1		84	01252-30516	BOLT	4	
25	6278-12311	DRUM	1		85	01601-20513	WASHER	4	
26	04064-01210	RING	1		86	3540-13284	COVER	1	
27	6468-91150	SCREW, M6X20	4		87	6251-15910	COVER	1	
28	3294-18150	CLAMP	1		88	6298-14343	SAW 255-4T	1	
29	3577-20005	FLEXIBLE SHAFT ASS'Y	1		89	3542-91000	TOOL SET	1	
30	3570-21110	SHAFT	1		90	1030-91340	SCREWDRIVER	1	
31	3577-21103	LINER	1		91	3144-91160	SOCKET	1	
32	3577-31190	CAP	1		92	09007-00425	WRENCH	1	
33	6195-21150	COVER	1		93	09007-00528	WRENCH	1	
34	6044-21160	CLAMP	2		94	3540-91110	BAR	1	
35	6175-31000	JOINT ASS'Y	1		95	3540-91120	SPANNER	1	
36	6278-33110	SHAFT	1		96	6120-92500	STABILIZER ASS'Y	1	
37	6178-12400	GRIP ASSY	1		97	3130-15312	STABILIZER	1	
38	6528-12210	BODY (R)	1		98	3530-15331	HOLDER	1	
39	6528-12220	BODY (L)	1		99	3548-15351	SHAFT	1	
40	6464-12230	LEVER, throttle	1		100	06004-06003	BEARING	1	
41	6464-12240	LEVER, safety	1		101	3548-15370	COVER	1	
42	1638-84150	LOCK	1		102	3548-15380	SPACER	1	
43	1638-84160	BAND	1		103	0212-50612	BOLT	3	
44	6464-12250	BAND	1		104	0290-20615	WASHER	3	
45	6178-12230	SWITCH COMP	1		105	3239-91310	SOCKET	1	‡
46	6178-12420	CABLE COMP	1						
47	6178-12530	JOINT	1						
48	1638-84170	SPRING	1						
49	1638-84180	SPRING	1						
50	00263-60620	SCREW	1						
51	1638-84190	NUT	1						
52	1638-84220	SCREW	4						
53	6522-13000	GEARCASE ASS'Y	1						
54	6522-13110	GEARCASE	1						
55	06000-06000	BEARING	1						
56	06000-06202	BEARING	1						
57	3130-13141	SEAL	1						
58	04065-03515	RING	1						
59	3540-13212	SHAFT	1						
60	3540-13220	GEAR	1						

‡ Standard accessory for model to Italy
(but not for other model.)

Fig.2 ENGINE UNIT

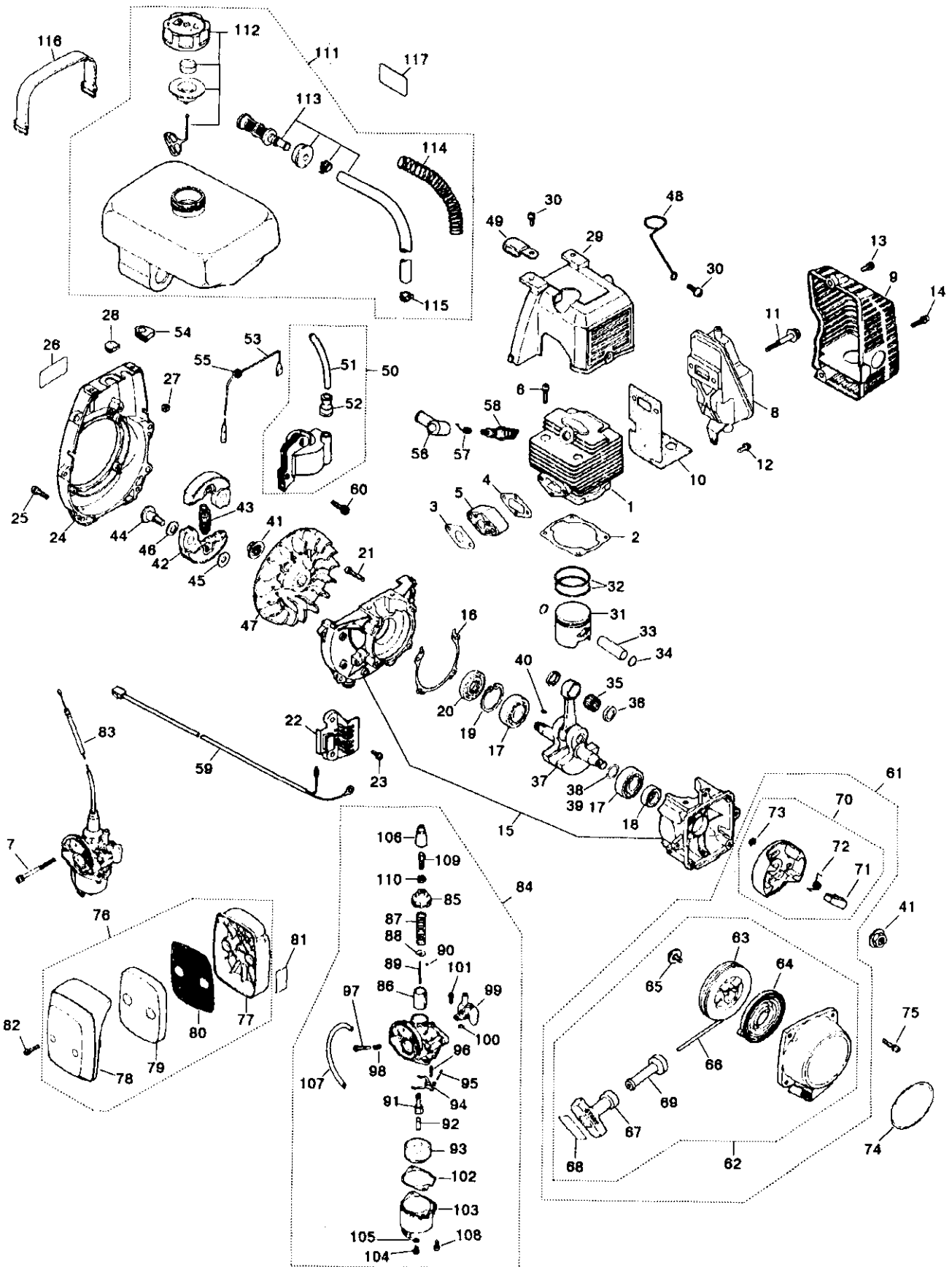


Fig.2 ENGINE UNIT

Key#	PART NUMBER	DESCRIPTION	Q'TY /UNIT	NOTE	Key#	PART NUMBER	DESCRIPTION	Q'TY /UNIT	NOTE
1	1650-12112	CYLINDER	1		61	1660-75001	STARTER ASS'Y	1	
2	1650-13120	GASKET	1		62	1660-75101	RECOIL ASS'Y	1	
3	1650-13130	GASKET	1		63	1600-75120	REEL	1	
4	1650-13150	GASKET	1		64	1600-75130	SPRING	1	
5	1660-13160	INSULATOR	1		65	1600-75151	SCREW	1	
6	3310-12281	BOLT, M5X20	4		66	1600-75160	ROPE	1	
7	0260-30565	SCREW, M5X65	2		67	1140-75320	KNOB	1	
8	1660-15111	MUFFLER	1		68	1600-75180	TAPE	1	
9	1660-15210	COVER	1		69	1660-75510	ADAPTER	1	
10	1670-13141	GASKET	1		70	1600-75201	PULLEY ASS'Y	1	
11	1650-15150	BOLT, M6X55	2		71	1600-75220	RATCHET	1	
12	0263-90512	SCREW, M5X12	1		72	1600-75201	SPRING	1	
13	3310-12281	BOLT, M5X20	1		73	1034-72180	E-RING	1	
14	3350-21320	BOLT, M5X30	1		74	1654-75411	LABEL	1	
15	1650-21102	CRANKCASE COMP.	1		75	0263-90520	SCREW, M5X20	1	
16	1650-21140	GASKET	1		76	1400-82001	AIR CLEANER ASS'Y	1	
17	06030-06201	BEARING	2		77	1400-82112	BODY	1	
18	2169-21210	OIL SEAL	1		78	1400-82120	COVER	1	
19	04065-03212	SNAP RING	1		79	1418-82130	ELEMENT	1	
20	1650-21220	OIL SEAL	1		80	1400-82140	SCREEN	1	
21	01252-30530	BOLT, M5X30	4		81	1133-82060	LABEL	1	
22	2155-21311	GUARD	1		82	0260-30422	SCREW, M4X22	2	
23	0263-90514	SCREW, M5X14	2		83	2142-83100	CABLE COMP.	1	
24	1650-31112	COVER	1		84	1661-81000	CARBURETOR ASS'Y	1	
25	3310-12281	BOLT, M5X20	4		85	1660-81122	CAP	1	
26	1660-31121	LABEL	1		86	1660-81151	VALVE, throttle	1	
27	1100-72120	GROMMET	1		87	1030-81000-14	SPRING	1	
28	1650-31150	GROMMET	1		88	1030-81000-17	RECEIVE	1	
29	1670-32113	COVER	1		89	1650-81210	NEEDLE, jet	1	
30	0263-90512	SCREW, M5X12	3		90	1030-81000-16	CLIP	1	
31	1650-41111	PISTON	1		91	1400-81230	JET, needle	1	
32	1650-41210	PISTON RING	2		92	1650-81240	JET, main	1	
33	1650-41310	PISTON PIN	1		93	1335-81180	FLOAT	1	
34	3310-41320	SNAP RING	2		94	1400-81340	HINGE	1	
35	3310-41410	BEARING	1		95	1400-81350	PIN	1	
36	1650-41510	WASHER	2		96	1650-81361	VALVE	1	
37	1650-42000	CRANKSHAFT COMP.	1		97	1650-81251	SCREW	1	
38	1140-43250	SHIM, 0.11	0/1		98	1650-81260	SPRING	1	
39	1130-43260	SHIM, 0.31	0/1		99	1400-81500	FUEL SHUTOFF	1	
40	1000-43240	KEY	1		100	1400-81540	O-RING	1	
41	1650-43230	NUT	2		101	0260-10410	SCREW	2	
42	1400-51110	SHOE	2		102	1400-81320	PACKING	1	
43	1400-51220	SPRING	1		103	1400-81310	CHAMBER	1	
44	1200-51211	SCREW	2		104	1400-81650	SCREW, drain	1	
45	1200-51230	FLAT WASHER	2		105	1400-81660	PACKING	1	
46	1200-51240	WAVE WASHER	2		106	3422-81130	CAP	1	
47	2155-71110	ROTOR	1		107	1650-81710	PIPE	1	
48	2193-86150	CLAMP, hose	1		108	0260-10412	SCREW	2	
49	1140-72231	CLAMP, cord	1		109	1661-81030	ADJUSTER	1	
50	2104-71200	COIL ASS'Y	1		110	1100-81260	NUT	1	
51	2104-71220	CORD, high tension	1		111	2107-85000	FUEL TANK ASS'Y	1	
52	2616-71320	CAP	1		112	2133-85300	CAP ASS'Y	1	
53	2132-71240	CORD	1		113	6218-15201	JOINT ASS'Y	1	
54	5500-72130	GROMMET	1		114	3570-15311	SPRING	1	
55	1100-72120	GROMMET	1		115	3063-22510	CLIP	1	
56	1900-72111	CAP	1		116	1535-85520	BAND	2	
57	1900-72120	SPRING	1		117	3570-15351	LABEL	1	
58	1216-73110	SPARK PLUG, RCJ8Y	1						
59	1621-14400	CORD COMP.	1						
60	0263-90520	SCREW, M5X20	2						

Fig.3 ENGINE UNIT

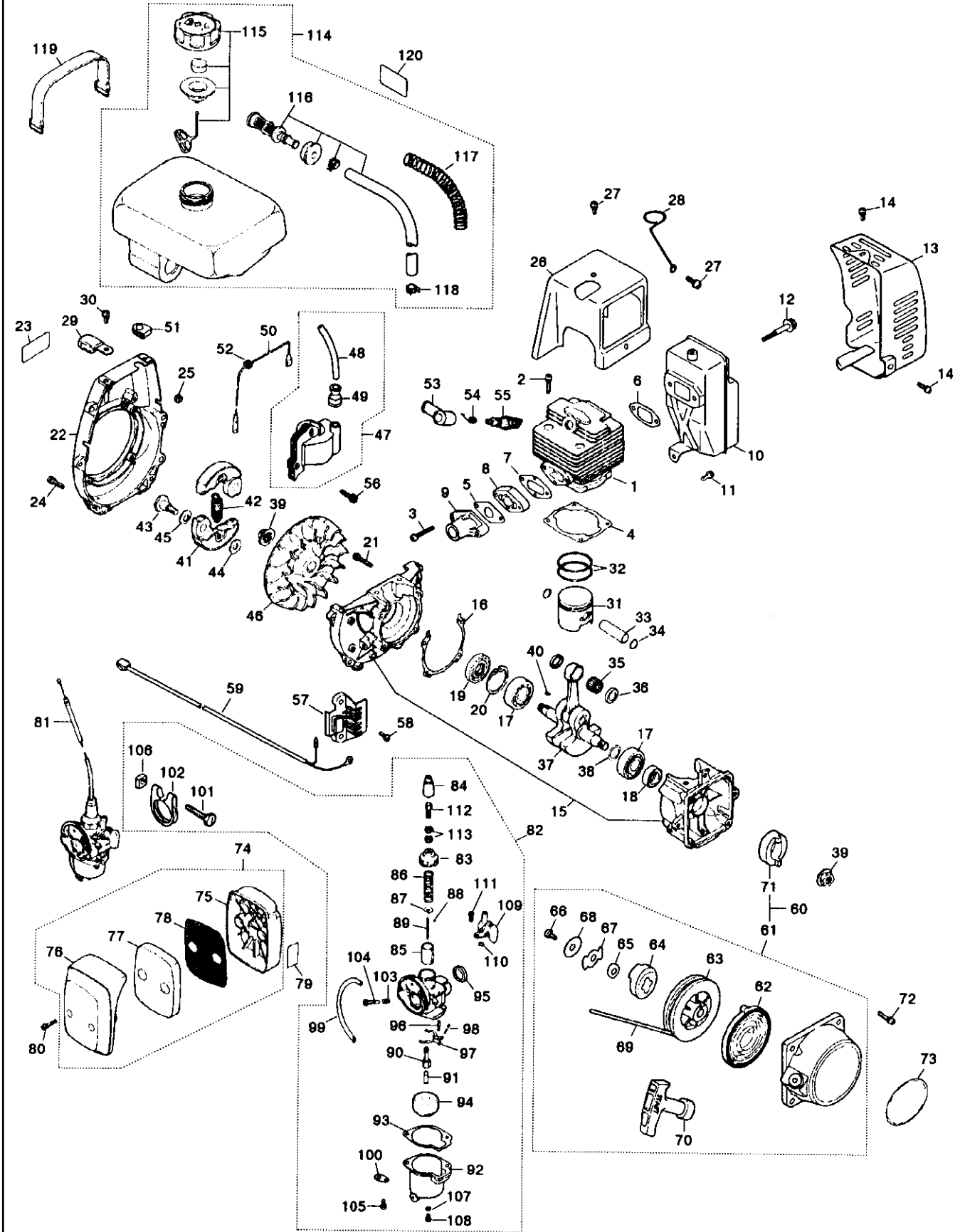


Fig.3 ENGINE UNIT

Key#	PART NUMBER	DESCRIPTION	Q'TY /UNIT	NOTE	Key#	PART NUMBER	DESCRIPTION	Q'TY /UNIT	NOTE
1	1400-12113	CYLINDER	1		61	1487-75100	RECOIL ASS'Y	1	
2	3310-12281	BOLT, M5X20	4		62	1180-75221	SPRING	1	
3	0260-30530	SCREW, M5X30	2		63	1487-75120	REEL	1	
4	1400-13121	GASKET	1		64	1487-85140	DOG	1	
5	1400-13130	GASKET	1		65	1861-75150	WASHER	1	
6	1400-13142	GASKET	1		66	1483-75270	SCREW	1	
7	1400-13150	GASKET	1		67	1487-75160	RETAINER	1	
8	1400-13160	INSULATOR	1		68	1487-75170	WASHER	1	
9	1402-13171	PIPE, inlet	1		69	1400-75160	ROPE	1	
10	1418-15110	MUFFLER	1		70	1400-75170	KNOB	1	
11	0263-90512	SCREW, M5X12	1		71	1487-75211	PULLEY	1	
12	1400-15150	BOLT, M5X65	2		72	0263-90520	SCREW, M5X20	4	
13	1411-15410	COVER	1		73	1403-75411	LABEL	1	
14	0263-90512	SCREW, M5X12	3		74	1400-82001	AIR CLEANER ASS'Y	1	
15	1400-21100	CRANKCASE COMP.	1		75	1400-82112	BODY	1	
16	1400-21140	GASKET	1		76	1400-82120	COVER	1	
17	06030-06202	BEARING	2		77	1418-82130	ELEMENT	1	
18	1520-21220	OIL SEAL	1		78	1400-82140	SCREEN	1	
19	1400-21220	OIL SEAL	1		79	1133-82060	LABEL	1	
20	04065-03515	SNAP RING	1		80	0260-30422	SCREW, M4X22	2	
21	01252-30530	BOLT, M5X30	4		81	2142-83100	CABLE COMP.	1	
22	1400-31113	COVER, fan	1		82	1418-81000	CARBURETOR ASS'Y	1	
23	1660-31121	LABEL	1		83	1660-81122	CAP	1	
24	3310-12281	BOLT, M5X20	4		84	1400-81610	CAP	1	
25	1100-72120	GROMMET	1		85	1414-81150	VALVE, throttle	1	
26	1411-32111	COVER, cylinder	1		86	1335-81060	SPRING	1	
27	0263-90512	screw, M5X12	2		87	1335-81070	RECEIVE	1	
28	2163-86150	CLAMP, hose	1		88	1030-81000-16	CLIP	1	
29	1140-72231	CLAMP, cord	1		89	1418-81210	NEEDLE, jet	1	
30	0263-90512	SCREW, M5X12	1		90	1418-81230	JET, needle	1	
31	1400-41111	PISTON	1		91	1650-81240	JET, main	1	
32	1400-41220	PISTON RING	2		92	1402-81310	CHAMBER	1	
33	1400-41310	PISTON PIN	1		93	1414-81320	PACKING	1	
34	3350-41320	SNAP RING	2		94	1335-81180	FLOAT	1	
35	1400-41410	BEARING	1		95	1335-81330	PACKING	1	
36	2616-41510	WASHER	2		96	1402-81360	VALVE, inlet	1	
37	1400-42002	CRANKSHAFT COMP.	1		97	1402-81340	HINGE	1	
38	1300-42410	SHIM	0/1		98	1400-81350	PIN	1	
39	1400-43230	NUT	2		99	1220-81410	PIPE	1	
40	1000-43240	KEY	1		100	1220-81420	STAY	1	
41	1400-51110	SHOE	2		101	1402-81290	BOLT	1	
42	1400-51220	SPRING	1		102	1402-81280	BAND	1	
43	1200-51211	SCREW	2		103	3422-81310	SPRING	1	
44	1200-51230	FLAT WASHER	2		104	1038-81001-29	SCREW	1	
45	1200-51240	WAVE WASHER	2		105	1335-81160	SCREW	2	
46	2073-71110	ROTOR	1		106	1402-81270	NUT	1	
47	2104-71200	COIL ASS'Y	1		107	1402-81260	PACKING	1	
48	2104-71220	CORD, high tension	1		108	1414-81650	SCREW, drain	1	
49	2616-71320	CAP	1		109	1400-81500	FUEL SHUTOFF	1	
50	2132-71240	CORD, switch	1		110	1400-81540	O-RING	1	
51	5500-72130	GROMMET	1		111	0260-10410	SCREW	2	
52	1100-72120	GROMMET	1		112	1411-81030	ADJUSTER	1	
53	1900-72111	CAP, plug	1		113	1100-81260	NUT	2	
54	1900-72120	SPRING	1		114	2107-85000	TANK ASS'Y	1	
55	1216-73110	SPARK PLUG, RCJ8Y	1		115	2133-85300	CAP ASS'Y	1	
56	0263-90520	SCREW, M5X20	2		116	6218-15201	JOINT ASS'Y	1	
57	2155-21311	GUARD	1		117	3570-15311	SPRING	1	
58	0263-90514	SCREW, M5X14	2		118	3063-22510	CLIP	1	
59	1621-14400	CORD COMP.	1		119	1535-85520	BAND	2	
60	1487-75000	STARTER ASS'Y	1		120	3570-15351	LABEL	1	

Fig.4 ENGINE UNIT

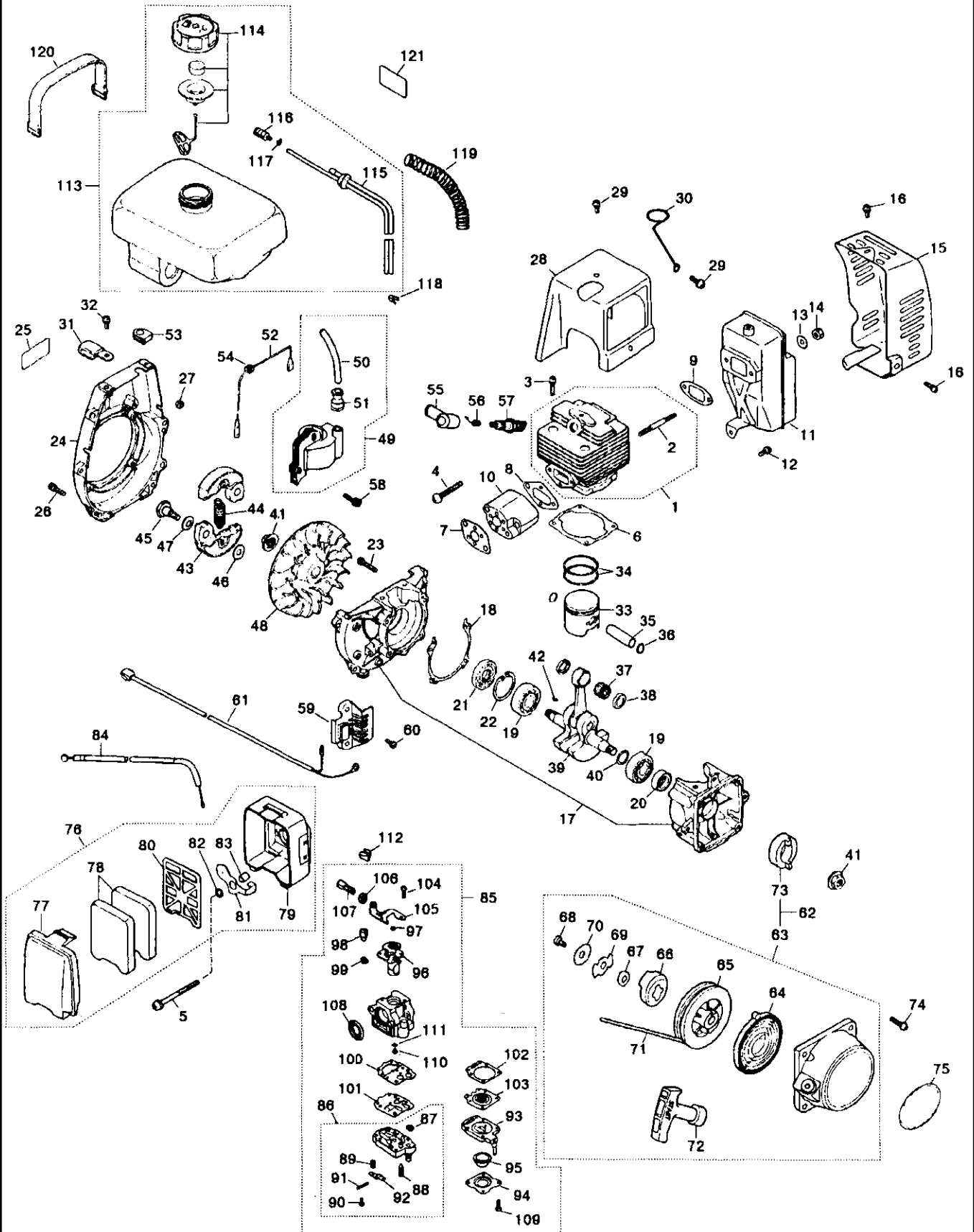


Fig.4 ENGINE UNIT

Key#	PART NUMBER	DESCRIPTION	Q'TY /UNIT	NOTE	Key#	PART NUMBER	DESCRIPTION	Q'TY /UNIT	NOTE
1	1580-12101	CYLINDER COMP.	1		66	1487-75140	DOG	1	
2	1580-12150	STUD	2		67	1861-75150	WASHER	1	
3	3310-12281	BOLT, M5X20	4		68	1483-75270	SCREW	1	
4	0260-30540	SCREW, M5X40	2		69	1487-75160	RETAINER	1	
5	0260-30560	SCREW, M5X60	2		70	1487-75170	WASHER	1	
6	1400-13121	GASKET	1		71	1400-75160	ROPE	1	
7	1460-13131	GASKET	1		72	1400-75170	KNOB	1	
8	1580-13140	GASKET	1		73	1487-75211	PULLEY	1	
9	1400-13150	GASKET	1		74	0263-90520	SCREW, M5X20	4	
10	1460-13163	INSULATOR	1		75	1580-75412	LABEL	1	
11	1418-15110	MUFFLER	1		76	1918-82000	AIR CLEANER ASS'Y	1	
12	0263-90512	SCREW, M5X12	1		77	1918-82110	COVER	1	
13	1140-51230	WASHER	2		78	1918-82120	FILTER	2	
14	1580-15230	NUT	2		79	1918-82130	HOUSING	1	
15	1411-15410	COVER	1		80	1918-82140	PLATE	1	
16	0263-90512	SCREW, M5X12	3		81	1918-82150	CHOKE VALVE	1	
17	1400-21140	CRANKCASE COMP.	1		82	1918-82160	WASHER	1	
18	1400-21140	GASKET	1		83	1918-82170	SLEEVE	2	
19	06030-06202	BEARING	2		84	1586-83100	CABLE COMP.	1	
20	1520-21220	OIL SEAL	1		85	1587-81002	CARBURETOR ASS'Y	1	
21	1400-21220	OIL SEAL	1		86	1850-81450	BODY ASS'Y	1	
22	04065-03515	SNAP RING	1		87	3306-81380	SCREEN	1	
23	01252-30530	BOLT, M5X30	4		88	3356-81310	VALVE	1	
24	1400-31113	COVER, fan	1		89	1850-81270	SPRING	1	
25	1660-31121	LABEL	1		90	1850-81220	SCREW	1	
26	3310-12281	BOLT, M5X20	4		91	3310-81250	PIN	1	
27	1100-82120	GROMMET	1		92	3310-81230	LEVER	1	
28	1411-32111	COVER, cylinder	1		93	1850-81490	BODY ASS'Y, air purge	1	
29	0263-90512	SCREW, M5X12	2		94	1850-81520	COVER	1	
30	2193-86150	CLAMP, hose	1		95	1751-81510	PUMP	1	
31	1140-72231	CLAMP, cord	1		96	1587-81150	VALVE	1	
32	0263-90512	SCREW, M5X12	1		97	1881-81160	PLUG	1	
33	3360-41110	PISTON	1		98	1881-81140	SWIVEL	1	
34	3360-41211	PISTON RING	2		99	1751-81130	RING	1	
35	3360-41310	PISTON PIN	1		100	1065-81410	GASKET	1	
36	3350-41320	SNAP RING	2		101	1065-81420	DIAPHRAGM, pump	1	
37	1400-41410	BEARING	1		102	1850-81470	GASKET	1	
38	2670-41510	WASHER	2		103	3310-81260	DIAPHRAGM, main	1	
39	1400-42002	CRANKSHAFT COMP.	1		104	1752-81110	SCREW	2	
40	1300-42410	SHIM	0/1		105	1460-81350	BRACKET	1	
41	1400-43230	NUT	2		106	1751-81180	NUT	1	
42	1000-43240	KEY	1		107	1601-81180	SCREW	1	
43	1075-51112	SHOE	2		108	1881-81130	RING	1	
44	1075-51220	SPRING	1		109	1850-81530	SCREW	4	
45	1200-51211	SCREW	2		110	1587-81590	JET	1	
46	1200-51230	FLAT WASHER	2		111	1751-81240	O-RING	1	
47	1200-51240	WAVE WASHER	2		112	1601-81810	CAP	1	
48	2073-71110	ROTOR	1		113	1586-85000	TANK ASS'Y	1	
49	2104-71200	COIL ASS'Y	1		114	2133-85300	CAP ASS'Y	1	
50	2104-71220	CORD, high tension	1		115	6044-15202	PIPE COMP.	1	
51	2616-71320	CAP	1		116	3302-85400	FILTER ASS'Y	1	
52	2132-71240	CORD, switch	1		117	1260-85460	CLIP	1	
53	5500-72130	GROMMET	1		118	6086-85470	CLIP	1	
54	1100-72120	GROMMET	1		119	6044-15310	SPRING	1	
55	1900-72111	CAP, plug	1		120	1535-85520	BAND	2	
56	1900-72120	SPRING	1		121	3570-15320	LABEL	1	
57	1216-73110	SPARK PLUG, RCJ8Y	1						
58	0263-90520	SCREW, M5X20	2						
59	2155-21311	GUARD	1						
60	0263-90514	SCREW, M5X14	2						
61	1621-14400	CORD COMP.	1						
62	1487-75000	STARTER ASS'Y	1						
63	1487-75100	RECOIL ASS'Y	1						
64	1180-75221	SPRING	1						
65	1487-75120	REEL	1						