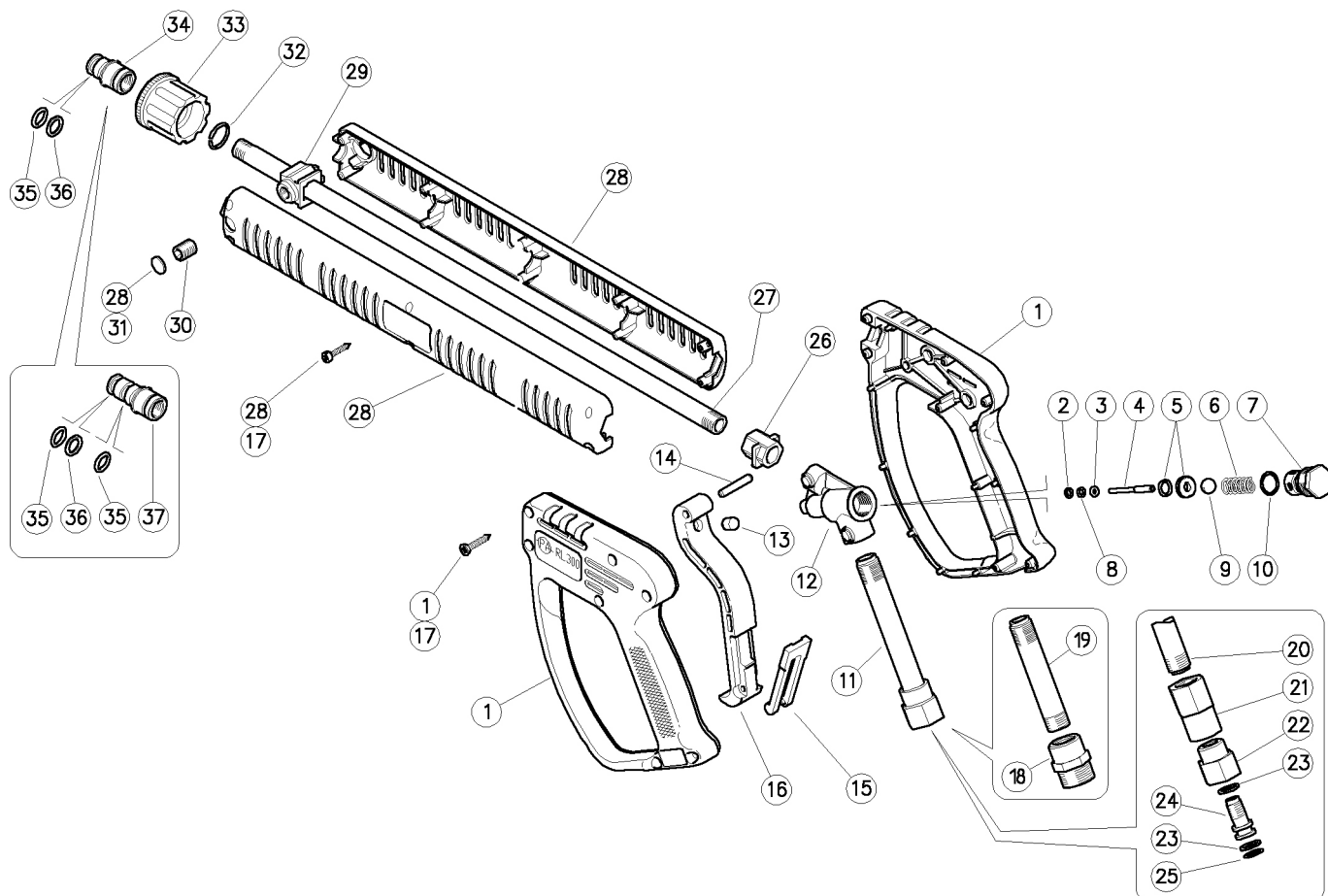


30.2600.11 RL300 Pist.G3/8AG+S3 370mm vznkt+AR5/4  
 30.2601.11 RL300 Pist.G3/8IG+S3 370mm vznkt+AR5/4  
 30.2606.11 RL300 Pist.G3/8IG+S3 370mm Ed/st+AR5/4 B

30.2607.11 RL300 Pist.+sw.6+S3 370mm Ed/st+AR5/4 B  
 30.2608.11 RL300 Pist.G3/8AG+S3 370mm vznkt+AR1/4 B M22



Pos.	Bestell-Nr.	Beschreibung	Meng	K1	K2	K3	K4
1	30.2501.24	Kasten-Kit -RL30 +Schrauben, Ed/st.	1				1
2	10.4018.00	Stützring, 3,2x7,5x1,2 mm	1				10
3	14.3511.00	Dichtscheibe, 3,2x7x0,5 mm Ed/st.	1				10
4	30.2516.51	Kolben, 3 mm Ed/st.	1				10
5	30.1708.20	Sitz, 6mm Ed/st+O-Ring 1,78mm NBR85	1				10
6	30.2596.51	Feder, 1,5x6,1x24 mm Ed/st.	1				10
7	30.2595.31	Federstößel, M16x1 Mess.	1				10
8	10.3165.00	O-Ring, 2,62x2,84 mm Vi 70	1				10
9	14.7448.00	Kugel, 5/16" Ed/st.	1				10
10	10.3020.02	O-Ring, 1,5x10 mm Ni 85	1				10
11	30.2533.35	Hinterrohr, G3/8IG Mess. (1)	1				5
12	30.2597.35	Gehäuse -RL30, Mess.	1				5
13	30.0675.84	Anschlagbolzen, 8x7,1mm PA	1				10
14	30.2517.31	Zylinderstift, 5x27,5 mm Mess.	1				10
15	30.1510.84	Sicherung, PA rot	1				10
16	30.2506.84	Hebel -RL31, PA schwarz	1				10
17	16.3077.00	S/schneid.Schraube, DIN7981 3,5x18 mm	13				10
18	30.2524.31	Anschl., G3/8AG Mess.	1				5
19	30.1011.36	Rohr, M15 127 mm Mess.	1				5

Pos.	Bestell-Nr.	Beschreibung	Meng	K1	K2	K3	K4
20	30.2547.36	Rohr, M15 AG/AG 103mm Mess. (2)	1				5
21	30.2546.31	Verbind., M15IG-M10x1IG Mess. (2)	1				5
22	30.2019.31	Anschl., G3/8IG Mess. (2)	1				5
23	10.4010.01	Stützring, offn. 10,2x13,9x1,2 mm (2)	2				50
24	30.2017.51	Zapfen, SW M10x1 AG Ed/st. (2)	1				5
25	10.3109.95	O-Ring, 2,4x9,3 mm Vi 70 (2)	1				25
26	30.4554.84	Pistolenauslass-Verbind., PA schwarz	1				5
27	30.2603.66	Rohr, G1/4 AG/AG 430 mm vznkt.	1				5
28	30.2605.56	Rohr, G1/4 AG/AG 430 mm Ed/st. (3)	1				3
29	40.0308.24	Kast.-Kit -S3,schwz+Schraub.+Lanz.Stöps.	1				1
30	40.0304.84	Rohrschelle, K/stoff.	1				25
31	16.2230.00	Gewindestift, DIN916 M10x8 mm vznkt.	1				10
32	40.0303.84	Lanzen-Stöpsel, PA schwarz	1				10
33	26.0252.51	Sprengring, 1,5x15,5 mm Ed/st.	1				10
34	26.0221.22	Handmutter -AR4, M22x1,5 17,5mm schwarz	1				10
35	26.0261.31	Stift, 14mm-G1/4IG Mess. (4)	1				10
36	10.3109.95	O-Ring, 2,4x9,3 mm Vi 70	1 - 2				25
37	10.4010.01	Stützring, offn. 10,2x13,9x1,2 mm	1				50
38	26.1038.31	Stift, 14mm-G1/4IG Mess. (5)	1				10

(1) 30.2601.11 (2) 30.2607.11 (3) 30.2606.11 (4) 30.2608.11 (5) 30.2600.11