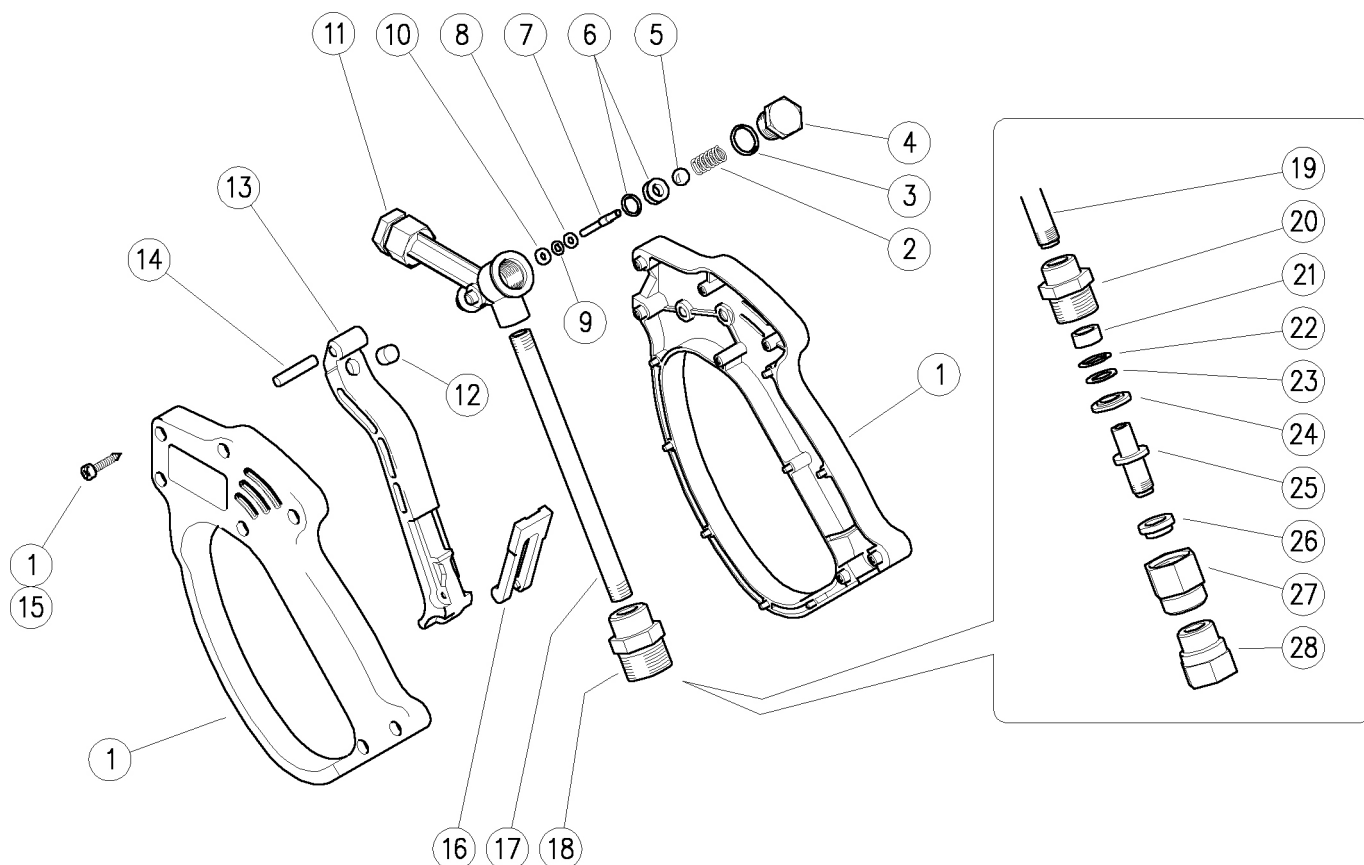


30.1755.00 RL26 Pistole G3/8AG-G1/4IG
 30.1755.30 RL26 Pistole G3/8IG-G1/4IG
 30.1755.50 RL26 Pistole 3/8IG-1/4IG Npt

30.1755.60 RL26 Pistole A M22-G1/4IG
 30.1772.00 RL26 Pistole+sw.8 G3/8IG-G1/4IG



Pos.	Bestell-Nr.	Beschreibung	Meng	K1	K2	K3	K4
1	30.1759.24	Kasten-Kit -RL26 +Schrauben, Ed/st.	1				1
2	30.0703.51	Feder, 1,3x8,5x19 mm Ed/st.	1				10
3	10.3060.01	O-Ring, 1,78x12,42 mm Ni 85	1	•	•		10
4	30.0702.31	Stöpsel, M14x1 Mess.	1				10
5	14.7448.00	Kugel, 5/16" Ed/st.	1	•	•		10
6	30.1708.20	Sitz, 6mm Ed/st+O-Ring 1,78mm NBR85	1	•	•		10
7	30.0704.51	Kolben, 3-4 mm Ed/st.	1	•	•		10
8	14.3511.00	Dichtscheibe, 3,2x7x0,5 mm Ed/st.	1	•	•		10
9	10.3165.00	O-Ring, 2,62x2,84 mm Vi 70	1	•	•		10
10	10.4018.00	Stützring, 3,2x7,5x1,2 mm	1	•	•		10
11	30.1700.35	Gehäuse -RL26, G1/4IG Mess.	1				5
11	30.1701.35	Gehäuse -RL26, 1/4IG Npt Mess. (1)	1				5
12	30.0675.84	Anschlagbolzen, 8x7,1mm PA	1				10
13	30.1704.84	Hebel -RL26, PA schwarz	1				10
14	30.0509.31	Zylinderstift, 5x24,5 mm Mess.	1				10
15	16.3077.00	S/schneid.Schraube, DIN7981 3,5x18 mm	7				10

Pos.	Bestell-Nr.	Beschreibung	Meng	K1	K2	K3	K4
16	30.1510.84	Sicherung, PA rot	1				10
17	30.0706.56	Rohr, 2xG1/8 AG Ed/st.	1				10
18	30.1521.31	Anschl., G1/8IG-G3/8AG keg/gsnkt Mss. (2)	1				5
18	30.1517.31	Anschl., G1/8IG-3/8IG Npt Mess. (1)	1				10
18	30.0718.31	Anschl., G1/8IG-M22x1,5AG Mess. (3)	1				5
18	30.1512.31	Anschl., G1/8IG-G3/8IG Mess. (4)	1				5
19	30.0734.56	Rohr, G1/8AG/AG 97mm Ed/st. (5)	1				5
20	30.0727.31	Anschl., G1/8IG-M20x1AG Mess. (5)	1				10
21	30.0728.84	Büchse, 9x13x6 mm K/stoff. schwarz (5)	1	•			10
22	10.3109.93	O-Ring, 2,4x8,3 mm Vi 70 (5)	1	•			10
23	10.4008.50	Stützring, 9x13,2x1,2 mm (5)	1				10
24	30.0729.31	Abstandring, 9x19x3 mm Mess. (5)	1				10
25	30.1553.31	Zapfen -SW, M10x1,25 AG Mess. (5)	1				5
26	30.0730.84	Büchse, 10x17x6 mm K/stoff. schwarz (5)	1	•			10
27	30.0733.31	Nippel, M20x1 IG Mess. (5)	1				5
28	30.1554.31	Anschl., M10x1,25IG-G3/8IG Mess. (5)	1				5

Kit	Bestell-Nr.	Beschreibung	Meng
K1	30.0736.24	Repar/kit - RL26, 8x1Stk.	1
K2	30.0723.24	Ersatz-Kit -RL26+sw8 11x1Stk.	1

(1) 30.1755.50 (2) 30.1755.00 (3) 30.1755.60 (4) 30.1755.30 (5) 30.1772.00