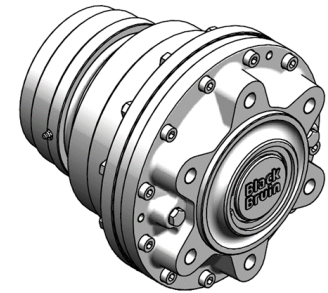


MODEL CODE DESCRIPTION:

A	Frame	=	B240
B	Displacement	=	630 ccm/rev
C	Displacement control	=	1-speed Fixed displacement
D	Accessory	=	No brake Fittings for regular lubrication

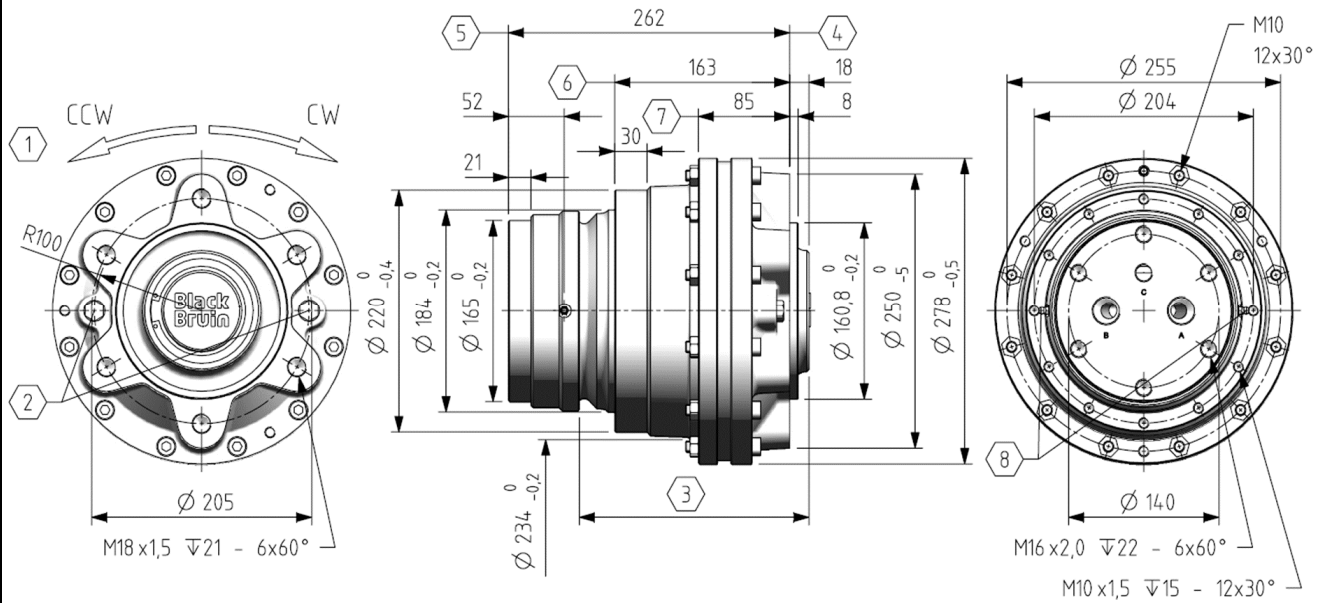

TECHNICAL DATA:

Rotating direction	flow direction A to B	CW		
	flow direction B to A	CCW		
Displacement	at full displacement	630 ccm		
	at half displacement	-		
Maximum torque	theoretical	3510 Nm		
	with 100 bar	1000 Nm		
Brake torque		-		
Max. operating power	at full displacement	35 kW		
	at half displacement	-		
Max. rotating speed	at full displacement	240 rpm		
	at half displacement	-		
	at freewheeling	600 rpm		
Max. engaging speed	(out of freewheeling)	120 rpm		
Min. rotating speed	(constant running)	2 rpm		
Max. working pressure	peak pressure	350 bar		
	intermittent ¹⁾	300 bar		
Max. case pressure	average	2 bar		
	intermittent	10 bar		
Pilot pressure for internal valve	valve engaged	-		
	valve released	-		
Max. flow rate	at full displacement	150 l/min		
	at half displacement	-		
Fluid viscosity	recommended	25 - 50 cSt		
	minimum	15 cSt		
Operating temperature	recommended	< 70 °C		
	maximum	85 °C		
Weight		59 kg		
Max. load capacity		4 t		
Tightening torques ^{2) 3)}	Hub interface	383 Nm	M18x1,5	10.9
	Shaft interface	330 Nm	M16x2,0	12.9
	Housing interface	64 Nm	M10x1,5	10.9
	Secondary housing interface	77 Nm	M10x1,5	12.9

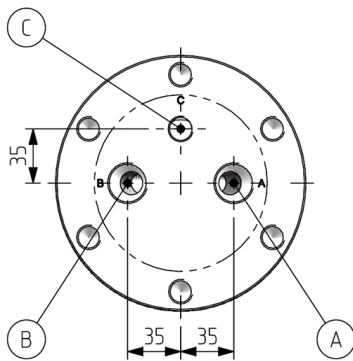
¹⁾ Intermittent operation: Permissible values for maximum 10 % of every minute.

²⁾ Declared values are for reference only. Always use application specific tightening torques when given.

³⁾ Strength class as in ISO 898-1. If using lower strength class, check interface load capacity and tightening torque.

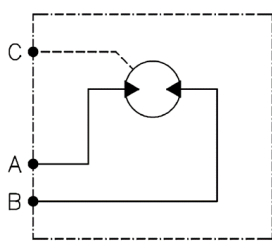
MAIN DIMENSIONS:


- | | |
|---|---|
| (1) Rotating direction of the motor housing | (7) Secondary housing interface |
| (2) Air bleed screws (2 pcs) | (8) Seal protector grease zerks (M6x1,0 - 2x180°) |
| (3) Rotating part of the motor | |
| (4) Hub interface | |
| (5) Shaft interface | |
| (6) Housing interface | |

MOTOR HYDRAULIC INTERFACE

HYDRAULIC CONNECTIONS:

Port:	Type:	Size:	Pmax: ⁴⁾
A / B	WORKING LINES		350 bar
	ISO 1179-1	G3/4"	
C	CASE DRAIN		40 bar
	ISO 1179-1	G3/8"	
-	-	-	-

⁴⁾ Max. potential pressure in port. See performance for allowed operating pressure.



See 'B200 product manual' for more information