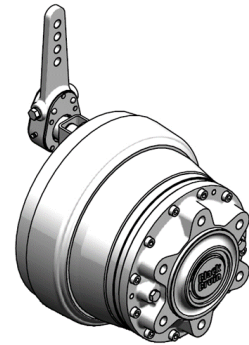


MODEL CODE DESCRIPTION:

A	Frame	=	B240
B	Displacement	=	630 ccm/rev
C	Displacement control	=	1-speed Fixed displacement
D	Accessory	=	Drum brake 320x75


TECHNICAL DATA:

Rotating direction	flow direction A to B	CW
	flow direction B to A	CCW
Displacement	at full displacement	630 ccm
	at half displacement	-
Maximum torque	theoretical	3510 Nm
	with 100 bar	1000 Nm
Brake torque ¹⁾		8600 Nm
Max. operating power	at full displacement	35 kW
	at half displacement	-
Max. rotating speed	at full displacement	240 rpm
	at half displacement	-
	at freewheeling	600 rpm
Max. engaging speed	(out of freewheeling)	120 rpm
Min. rotating speed	(constant running)	2 rpm
Max. working pressure	peak pressure	350 bar
	intermittent ²⁾	300 bar
Max. case pressure	average	2 bar
	intermittent	10 bar
Pilot pressure for internal valve	valve engaged	-
	valve released	-
Max. flow rate	at full displacement	150 l/min
	at half displacement	-
Fluid viscosity	recommended	25 - 50 cSt
	minimum	15 cSt
Operating temperature	recommended	< 70 °C
	maximum	85 °C
Weight		96 kg
Max. load capacity		4 t
Tightening torques ^{3) 4)}	Hub interface	383 Nm M18x1,5 10.9
	Drum brake interface	330 Nm M16x2,0 12.9
	-	-
	-	-

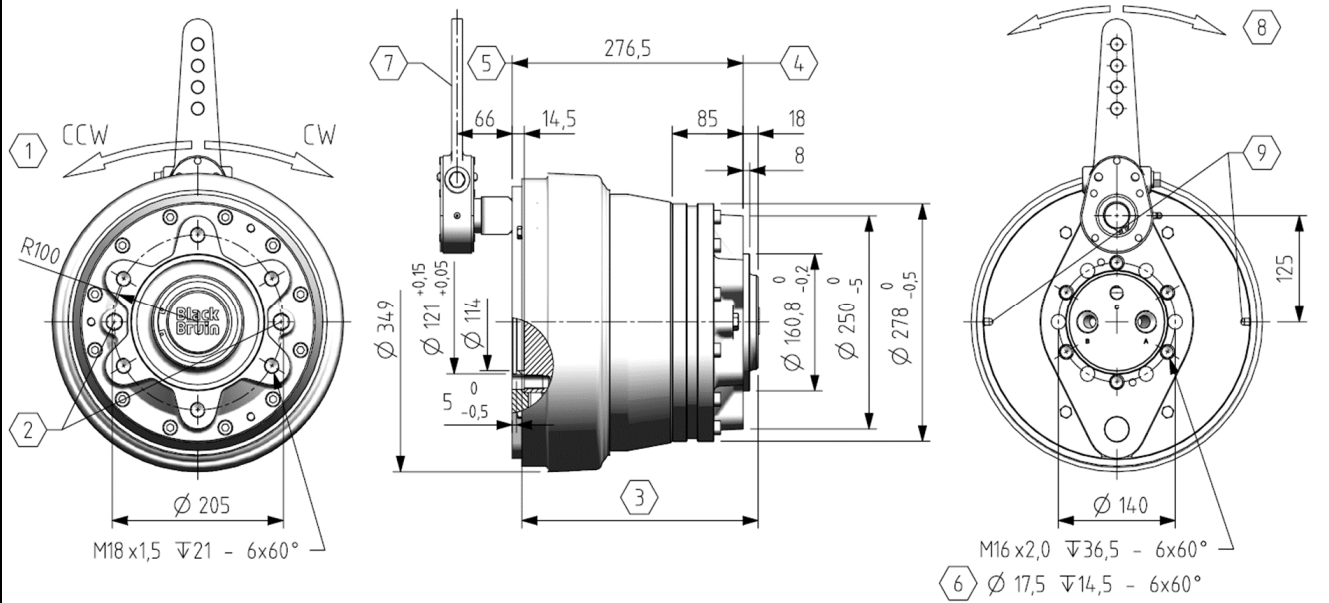
¹⁾ The brake torque is for information only. Braking performance must be ensured by testing and/or certification.

²⁾ Intermittent operation: Permissible values for maximum 10 % of every minute.

³⁾ Declared values are for reference only. Always use application specific tightening torques when given.

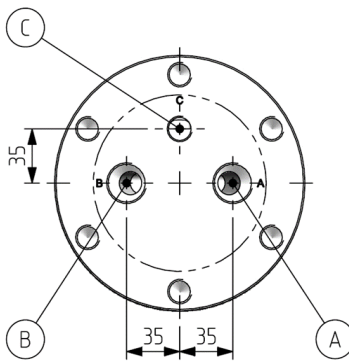
⁴⁾ Strength class as in ISO 898-1. If using lower strength class, check interface load capacity and tightening torque.

MAIN DIMENSIONS:

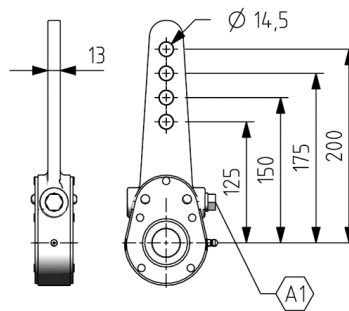


- (1) Rotating direction of the motor housing
- (2) Air bleed screws (2 pcs)
- (3) Rotating part of the motor
- (4) Hub interface
- (5) Drum brake interface
- (6) Brake frame may be positioned with 60° intervals
- (7) Brake lever
- (8) Brake actuation direction
- (9) Brake lining thickness check
- (A1) Manual slack adjuster

MOTOR HYDRAULIC INTERFACE



BRAKE LEVER



HYDRAULIC CONNECTIONS:

Port:	Type:	Size:	Pmax: ⁵⁾
A / B	WORKING LINES		350 bar
	ISO 1179-1	G3/4"	
C	CASE DRAIN		40 bar
	ISO 1179-1	G3/8"	
-	-	-	-

⁵⁾ Max. potential pressure in port. See performance for allowed operating pressure.

See 'B200 product manual' for more information