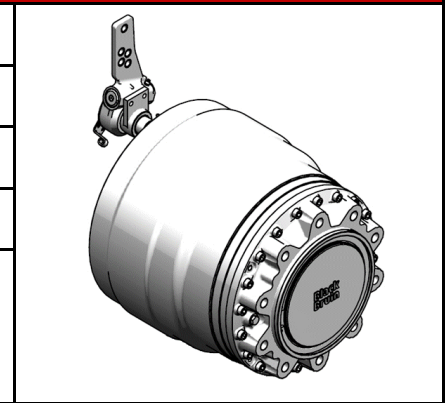


MODEL CODE DESCRIPTION:

A	Frame	=	B260
B	Displacement	=	2000 ccm/rev
C	Displacement control	=	2-speed valve Right side - CW preferred
D	Accessory	=	Drum brake 420x220 - Right side


TECHNICAL DATA:

Rotating direction	flow direction A to B	CW ²⁾
	flow direction B to A	CCW
Displacement	at full displacement	2000 ccm
	at half displacement	1000 ccm
Maximum torque	theoretical	14300 Nm
	with 100 bar	3180 Nm
Brake torque ¹⁾		20100 Nm
Max. operating power	at full displacement	90 kW
	at half displacement	54 kW
Max. rotating speed	at full displacement	175 rpm
	at half displacement	220 rpm
	at freewheeling	400 rpm
Max. engaging speed	(out of freewheeling)	88 rpm
Min. rotating speed	(constant running)	2 rpm
Max. working pressure	peak pressure	450 bar
	intermittent ³⁾	400 bar
Max. case pressure	average	2 bar
	intermittent	10 bar
Pilot pressure for internal valve	valve engaged	7 - 30 bar ⁴⁾
	valve released	0 - 2 bar
Max. flow rate	at full displacement	350 l/min
	at half displacement	225 l/min
Fluid viscosity	recommended	25 - 50 cSt
	minimum	15 cSt
Operating temperature ⁵⁾	recommended	< 70 °C
	maximum	85 °C
Weight		262 kg
Max. load capacity ⁶⁾		12,5 t
Tightening torques ^{7) 8)}	Hub interface	728 Nm M22x1,5 10.9
	Drum brake interface	650 Nm M20x1,5 12.9
	-	-
	-	-

¹⁾ The brake torque is for information only. Braking performance must be ensured by testing and/or certification.

²⁾ Preferred operating direction at half displacement.

³⁾ Intermittent operation: Permissible values for maximum 10 % of every minute.

⁴⁾ If pilot pressure is over 30 bar, the pilot line should be throttled.

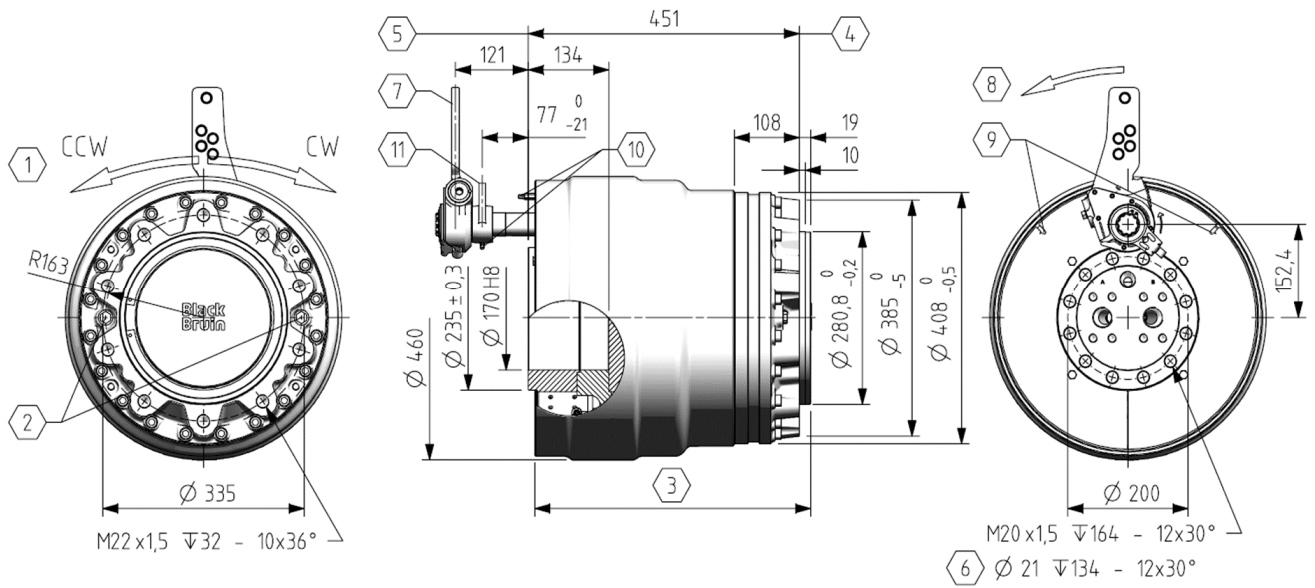
⁵⁾ Allowed operating temperature depends on hydraulic fluid viscosity at operating temperature.

⁶⁾ The motor load capacity must be estimated for every application.

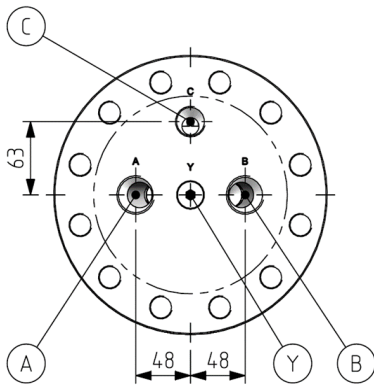
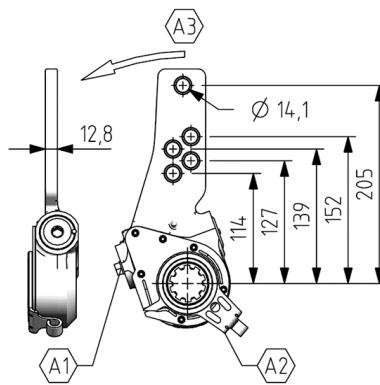
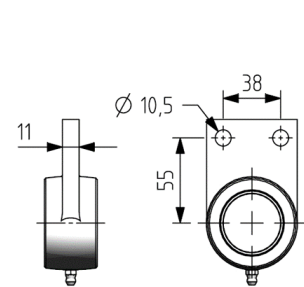
⁷⁾ Declared values are for reference only. Always use application specific tightening torques when given.

⁸⁾ Strength class as in ISO 898-1. If using lower strength class, check interface load capacity and tightening torque.

See 'B200 product manual' for more information

MAIN DIMENSIONS:


- | | |
|--|---|
| (1) Rotating direction of the motor housing | (7) Brake lever |
| (2) Air bleed screws (2 pcs) | (8) Brake actuation direction |
| (3) Rotating part of the motor | (9) Brake lining thickness check |
| (4) Hub interface | (10) Brake shaft grease zerks (2 pcs) |
| (5) Drum brake interface | (11) Brake shaft support |
| (6) Brake frame may be positioned with 30° intervals | |
| | (A1) Manual slack adjuster |
| | (A2) Automatic slack adjuster control arm |
| | (A3) Lever actuation direction |

MOTOR HYDRAULIC INTERFACE

BRAKE LEVER

BRAKE SHAFT SUPPORT

HYDRAULIC CONNECTIONS:

	Port:	Type:	Size:	Pmax: ⁹⁾
	A / B	WORKING LINES		450 bar
		ISO 1179-1	G1"	
	C	CASE DRAIN		40 bar
		ISO 1179-1	G3/4"	
Y	INTERNAL VALVE PILOT		350 bar	
	ISO 1179-1	G3/4"		

⁹⁾ Max. potential pressure in port. See performance for allowed operating pressure.

See 'B200 product manual' for more information