

0CV10-M13601EN

# P R E F A C E

1. This Parts Catalog carries all parts incorporated in YANMAR Model 3TNC78E-RK engine manufactured since June, 1992.
2. Each illustration corresponds to the parts list on the following page.
3. When ordering parts, clearly write down the engine model and serial number, as well as the name and number of each part in your order sheet. This will help insure reliable delivery of the parts you have ordered.
4. Pub. No. 000Y00V1360      First Published : June, 1992.  
    Pub. No. 000Y00V1361      First Revised    : October, 1993.

## Directions for the Parts Catalog.

1. This Parts Catalog shows both standard and optional parts.
2. Parts may change without prior notice.
3. The following is an example of the Parts Catalog format.

REF.	LEV.	PARTS NO.	DESCRIPTION	Q'TY						I	R
				(A)	(B)	(C)	(D)	(E)	(F)		
1	1	729595-51390	FUEL INJECTION PUMP	1	1	1	1	1			1
1-1	1	729595-51391	FUEL INJECTION PUMP	1	1	1	1	1		N	1
		(A=E00185) (B=E00200)									
3	2	26022-060162	SCREW M 6X 16	9	9	9	9	9			
3-1	2	26022-060162	SCREW M 6X 16	4	4	4	4	4		K	
		(A=E00156) (B=E00156) (C=E00156) (D=E00156) (E=E00156)									
4	2	129470-51040	CAMSHAFT	1	1	1	1	1			
5	2	122710-51050	BEARING, ROLLER	2	2	2	2	2			
6	2	129470-51060	RETAINER	1	1	1	1	1			

Remarks
(1) BOOST COMPEMSATOR TYPE. OPTIONAL PART, TO E00155,(4JH-DT, 4JH-DTZ

### ① Ref. No.

The Ref. No. listed may not be in accordance with the illustration Ref. No.

(Ex.) Illustration No.

List Ref No.

1 1 (Before change) → 1-1 (After change)

For interchangeable symbols N, R and K, illustrations for new parts may be abbreviated.

### ② Lev. (Level)

Level indication

The numbers below indicate the level of relativity towards the main part.

1 ---- Main parts (Assembly parts)

2 ---- Sub component included in " 1 ".

3 ---- Sub component included in " 2 ".

Note) Parts that are not for sale are partially illustrated but not listed.

### ③ Interchangeability Symbol

When a part change takes place, one of the following interchangeability symbols is indicated beside the part.

Symbol	Interchangeability	Contents note
N	Old $\begin{matrix} \leftarrow \text{Yes} \\ \text{No} \rightarrow \end{matrix}$ New	New Part is interchangeable for Old Part but Old Part is not interchangeable for New Part.
Q	Old $\begin{matrix} \leftarrow \text{No} \\ \text{Yes} \rightarrow \end{matrix}$ New	New Part is not interchangeable for Old Part but Old Part is interchangeable for New Part.
R	Old $\begin{matrix} \leftarrow \text{Yes} \\ \text{Yes} \rightarrow \end{matrix}$ New	New/ Old Parts are both interchangeable.
S	Old $\begin{matrix} \leftarrow \text{No} \\ \text{No} \rightarrow \end{matrix}$ New	New/ Old Parts are both not interchangeable.
W		Part newly added.
Z		Part discontinued.
F		Not interchangeable by a single part but interchangeable together with related parts.
K		Changes only for used parts quantities.

### ④ Effective Machine No.

When a part changes, the effective Machine No. will be indicated in the (A)-(F) column.

Product Symbol	Product No.	Product Symbol	Product No.
C	Clutch No. Compressor No.	F	Machine No. (Agricultural Equip.)
D	Drive No.	M	Machine No.
E	Engine No.		

Note 1) A date may follow the symbol. (Ex.) 1996.01

Note 2) "XXXXX" and "ZZZZZ" are for parts that could not be predicted or for engine models that could not be identified.

Note 3) (A=E00185) is the E (Engine Serial Number) for the column (A) model (in this case 4JH-DT) after the parts design change.

### ⑤ Remarks

Figures or alphabets (symbols) are entered in the remarks column.

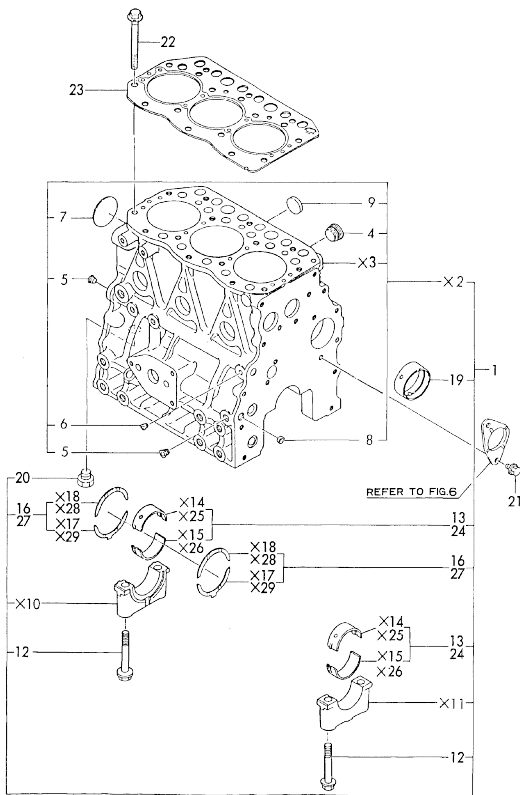
The comments (remarks) on parts that are indicated at the bottom of the illustration are the same symbols as those stated above.

## Contents

Fig. No.	Fig. Name	Fig. No.	Fig. Name
3TNC78E-RK			
1.	CYLINDER BLOCK		
2.	GEAR HOUSING		
3.	FLYWHEEL HOUSING & OIL SUMP		
4.	CYLINDER HEAD & BONNET		
5.	SUCTION MANIFOLD		
6.	CAMSHAFT & DRIVING GEAR		
7.	CRANKSHAFT & PISTON		
8.	LUB. OIL SYSTEM		
9.	COOLING WATER SYSTEM		
10.	FUEL INJECTION PUMP		
11.	FUEL INJECTION LINE		
12.	FUEL LINE		
13.	GOVERNOR		
14.	STARTING MOTOR		
15.	GASKET SET & TOOL(OPTIONAL)		

Fig.1. CYLINDER BLOCK

Fig. 1 CYLINDER BLOCK



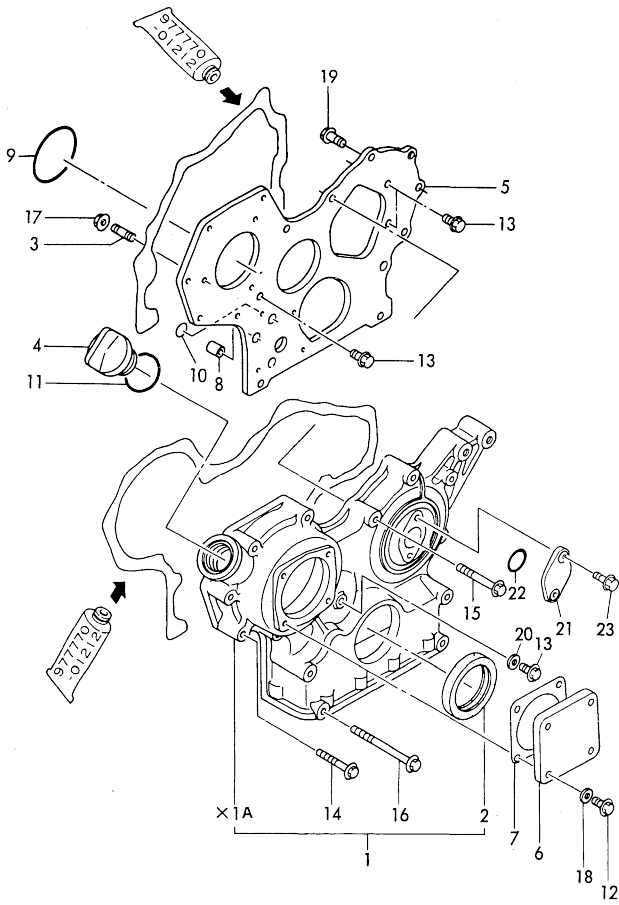
Remarks

- (1) UNDER-SIZE(U.S=0.25)PART.
- (2) OVER-SIZE(O.S=0.25)PART.
- (A) THIS PART IS ALSO SOLD BY GASKET SET(FIG 15.REF NO.1,P/# 719810-92610).

No.	Lev.	Parts No.	Description	Q'ty						I	R
				(A)	(B)	(C)	(D)	(E)	(F)		
1	1	719811-01560	BLOCK ASSY, CYLINDER	1							
4	3	171051-01921	PLUG, NPTF1	1							
5	3	124160-01910	PLUG, PT1/4	2							
6	3	23871-010000	PLUG, R01	1							
7	3	27231-500000	PLUG 50	1							
8	3	27241-120000	PLUG, 12	2							
9	3	27241-300000	PLUG 30	6							
12	2	119620-02020	BOLT, METAL CAP	8							
13	2	719810-02800	BEARING, MAIN	4							
16	2	719810-02930	BEARING, THRUST	2							
19	2	129795-02411	BUSH, CAMSHAFT	1							
20	2	23887-120002	PLUG, 12	1							
21	1	26106-080162	BOLT, M8X 16 PLATED	2							
22	1	119810-01200	BOLT, HEAD	14							
23	1	119811-01330	GASKET, HEAD T=1.4	1							A
24	1	119810-02870	BEARING, 0.25 US	4							1
27	1	119810-02940	BEARING, THRUST 0.25	2							2

Fig.2. GEAR HOUSING

Fig. 2 GEAR HOUSING

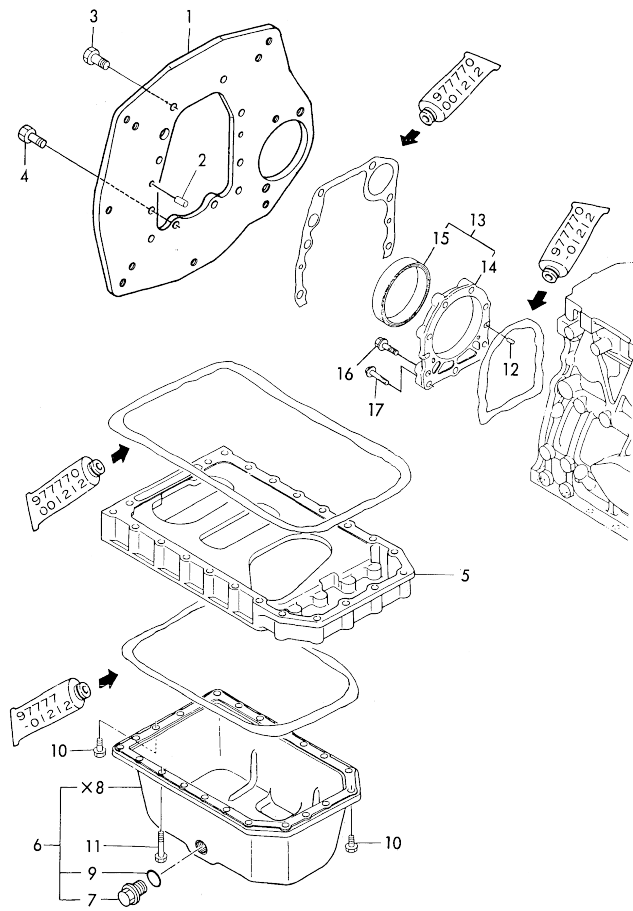


No.	Lev.	Parts No.	Description	Q'ty						I	R
				(A)	(B)	(C)	(D)	(E)	(F)		
1	1	719810-01500	CASE ASSY, GEAR	1							
2	2	129795-01800	SEAL, OIL	1							
3	1	121450-01560	STUD, M8X22	3							
4	1	124160-01751	COVER, FILLER	1							
5	1	129400-01520	FLANGE, GEAR CASE	1							
6	1	124240-01871	COVER	1							
7	1	124240-01883	GASKET	1							
8	1	129795-01950	PIPE, KNOCK L=18	2							
9	1	121850-51960	O-RING	1							
10	1	24311-000160	O-RING, 1AP16.0	2							
11	1	24311-000320	O-RING, 1AP32.0	1							
12	1	26106-080122	BOLT, M8X 12 PLATED	4							
13	1	26106-080162	BOLT, M8X 16 PLATED	4							
14	1	26106-080452	BOLT, M8X 45 PLATED	6							
15	1	26106-080552	BOLT, M8X 55 PLATED	3							
16	1	26106-080852	BOLT, M8X 85 PLATED	4							
17	1	26366-080002	NUT, M8	3							
18	1	43400-500410	SEAL WASHER 8S	4							
18-1	1	22190-080002	WASHER, SEAL 6	4							R
(A=E/# 11901)											
19	1	26106-080202	BOLT, M8X 20 PLATED	2							
20	1	43400-500410	SEAL WASHER 8S	1							
20-1	1	22190-080002	WASHER, SEAL 6	1							R
(A=E/# 11901)											
21	1	121023-01550	COVER	1							
22	1	24341-000240	O-RING, 1AS24.0	1							
23	1	26106-060122	BOLT, M6X 12 PLATED	2							

N:Old  $\frac{New}{Old}$  New, Q:Old  $\frac{New}{Old}$  New, R:Old  $\frac{New}{Old}$  New, S:Old  $\frac{New}{Old}$  New, W:Add, Z:Discontinued, F:Interchangeable by set, K:Qty Change  
 Copyright (C) YANMAR CO., LTD. All Rights Reserved.

Fig.3. FLYWHEEL HOUSING & OIL SUMP

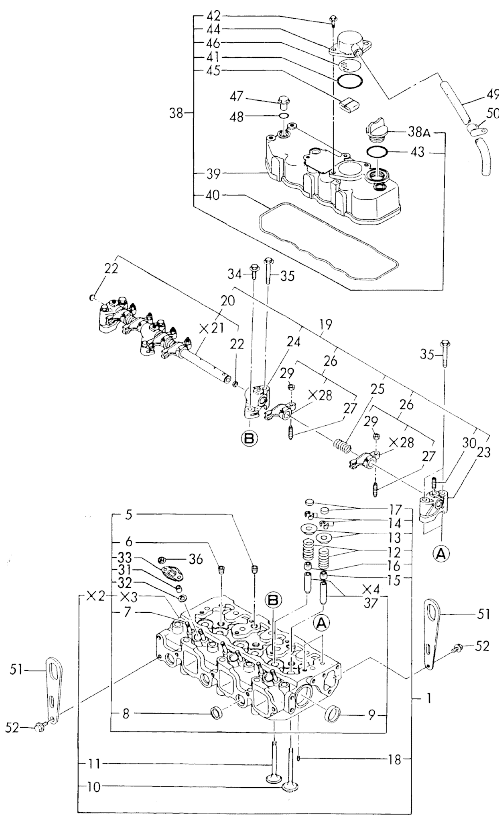
Fig. 3 FLYWHEEL HOUSING & LUB. OIL SUMP



No.	Lev.	Parts No.	Description	Q'ty						I	R
				(A)	(B)	(C)	(D)	(E)	(F)		
1	1	129176-01601	FLANGE, MOUNTING	1							
2	1	22312-080200	PIN, PARALLEL M8X20	2							
2-1	1	129100-01580	PIN, M8X16	2						N	
(A=E/# 06899)											
3	1	26206-100202	BOLT, M10X 20 PLATED	6							
4	1	26206-100252	BOLT, M10X 25 PLATED	4							
5	1	119810-01730	SPACER, OIL SUMP	1							
6	1	119810-01770	SUMP ASSY, OIL	1							
7	2	171301-01640	PLUG, 22	1							
9	2	24341-000240	O-RING, 1AS24.0	1							
10	1	26106-080162	BOLT, M8X 16 PLATED	6							
11	1	26106-080452	BOLT, M8X 45 PLATED	22							
12	1	129100-01580	PIN, M8X16	2							
13	1	719810-01650	CASE ASSY, OIL SEAL	1							
14	2	119860-01650	CASE, OIL SEAL	1							
15	2	119810-01780	SEAL, 769310	1							
16	1	26106-080302	BOLT, M8X 30 PLATED	6							
17	1	26106-080352	BOLT, M8X 35 PLATED	3							

Fig.4. CYLINDER HEAD & BONNET

Fig.4 CYLINDER HEAD & BONNET



Remarks  
 (1) REPAIR PART.  
 (A) THIS PART IS ALSO SOLD BY GASKET SET (FIG 15, REF NO.1, P/# 719810 -92610).

No.	Lev.	Parts No.	Description	Q'ty						I	R
				(A)	(B)	(C)	(D)	(E)	(F)		
1	1	719810-11700	HEAD ASSY, CYLINDER	1							
1-1	1	119811-11710	HEAD ASSY, CYLINDER	1							N
(A=E# 09502)											
5	3	121850-11860	PLUG, PT1/4	2							
6	3	23871-030000	PLUG, R03	3							
7	3	26216-060302	STUD, M6X 30	6							
8	3	27241-220000	PLUG, 22	3							
9	3	27241-400000	PLUG, 40	2							
10	2	119810-11100	VALVE, INTAKE	3							
11	2	119810-11110	VALVE, EXHAUST	3							
12	2	119810-11120	SPRING, VALVE	6							
13	2	104211-11180	RETAINER, SPRING	6							
14	2	101158-11190	COTTER	6							
14-1	2	27310-070001	COTTER, 7	6							N
(A=EXXXXX)											
15	2	124160-11340	SEAL, VALVE STEM	3							
16	2	124950-11340	SEAL, VALVE STEM	3							
17	2	104211-11370	CAP, VALVE	6							
18	2	22351-060012	PIN, SPRING 6.0X12	2							
19	1	119865-11210	SUPPORT ASSY	1							
20	2	119810-11240	SHAFT ASSY, ROCKER	1							
22	3	27241-100000	PLUG, 10	2							
23	2	129155-11260	SUPPORT, ROCKER ARM	2							
24	2	129155-11270	SUPPORT, ROCKER ARM	2							
25	2	129150-11280	SPRING	3							
26	2	119810-11660	ARM ASSY, ROCKER	6							
27	3	129150-11230	SCREW, VALVE ADJUST	6							
29	3	129150-11750	NUT, M8	6							
30	2	26226-080182	STUD, M8X 18	3							
31	2	119625-11870	PROTECTOR, NOZZLE	3							
32	2	119625-11880	SEAT, NOZZLE	3							
33	2	119625-11900	RETAINER, NOZZLE	3							
34	1	26106-080252	BOLT, M8X 25 PLATED	2							
35	1	26106-080502	BOLT, M8X 50 PLATED	6							
36	1	26366-060002	NUT, M6	6							
37	1	124060-11800	GUIDE, VALVE	6							1
38	1	119810-11350	BONNET ASSY, HEAD	1							
38A	2	124160-01751	COVER, FILLER	1							
39	2	119810-11300	BONNET	1							
40	2	119865-11310	GASKET, BONNET	1							A
41	2	24341-000500	O-RING, 1AS50.0	1							
42	2	26106-080162	BOLT, M8X 16 PLATED	2							
43	2	24311-000320	O-RING, 1AP32.0	1							
44	2	129150-03020	COVER, BREATHER	1							
45	2	129150-03070	BAFFLE, BREATHER	1							
46	2	129150-03080	PLATE, BAFFLE	1							
47	1	124160-11360	KNOB	3							
48	1	24311-000120	O-RING, 1AP12.0	3							A
49	1	129150-03090	HOSE, ID16X2T	1							
50	1	129150-03100	RETAINER, PIPE	1							
51	1	124736-07900	LIFTER	2							

N:Old  $\frac{100}{100}$  New, Q:Old  $\frac{100}{100}$  New, R:Old  $\frac{100}{100}$  New, S:Old  $\frac{100}{100}$  New, W:Add, Z:Discontinued, F:Interchangeable by set, K:Q'ty Change  
 ++ CONTINUE ++  
 Copyright (C) YANMAR CO., LTD. All Rights Reserved.



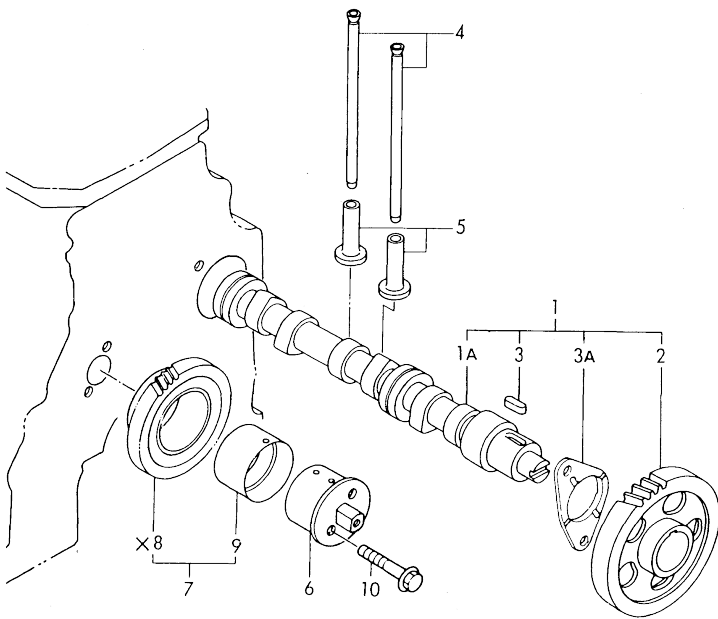




OCV10-M13601

Fig.6. CAMSHAFT & DRIVING GEAR

Fig. **6** CAMSHAFT & DRIVING GEAR

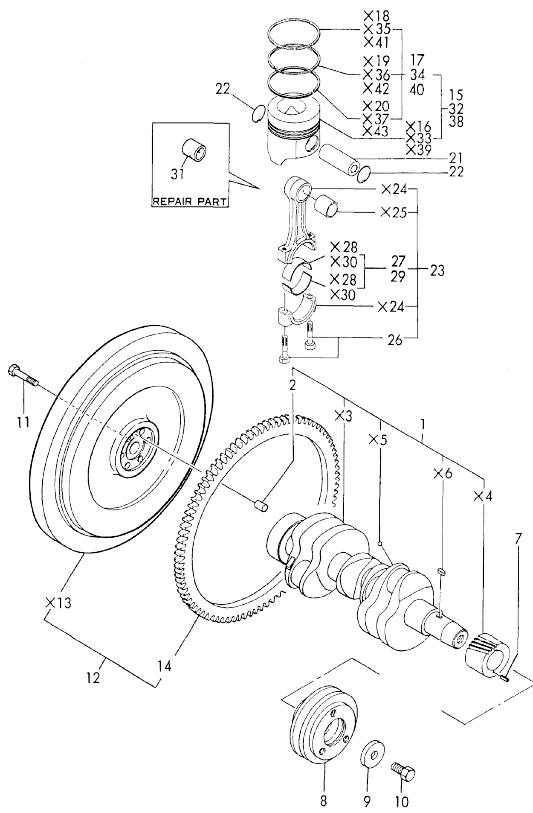


No.	Lev.	Parts No.	Description	Q'ty						I	R
				(A)	(B)	(C)	(D)	(E)	(F)		
1	1	119810-14580	CAMSHAFT ASSY	1							
1A	2	119810-14011	CAMSHAFT	1							
2	2	129150-14101	GEAR, CAMSHAFT	1							
3	2	22512-070140	KEY, 7X 14	1							
3A	2	129150-02450	BEARING, THRUST	1							
4	1	119810-14400	ROD, PUSH	6							
5	1	129150-14200	TAPPET	6							
6	1	129100-25061	SHAFT, IDLE	1							
7	1	129150-25101	GEAR ASSY, IDLE	1							
10	1	26106-080452	BOLT, M8X 45 PLATED	2							

N:Old  $\frac{100}{100}$  New, Q:Old  $\frac{100}{100}$  New, R:Old  $\frac{100}{100}$  New, S:Old  $\frac{100}{100}$  New, W:Add, Z:Discontinued, F:Interchangeable by set, K:Q'ty Change  
 Copyright (C) YANMAR CO., LTD. All Rights Reserved.

Fig.7. CRANKSHAFT & PISTON

Fig.7 CRANKSHAFT & PISTON



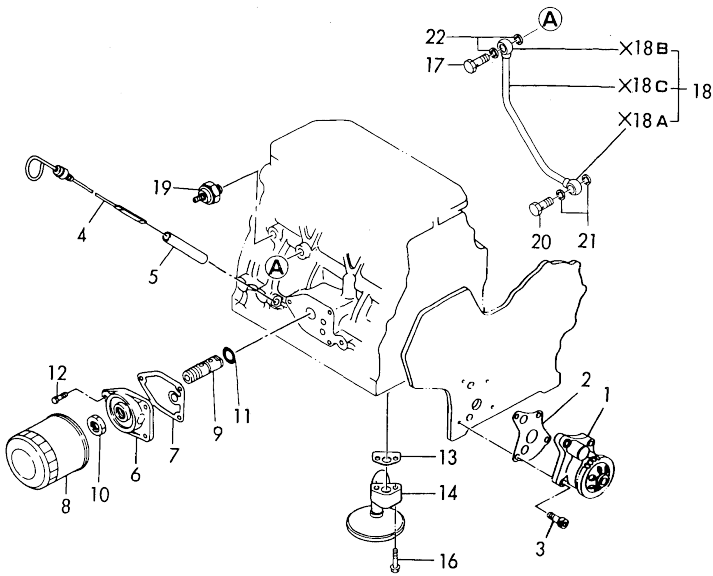
No.	Lev.	Parts No.	Description	Q'ty						I	R
				(A)	(B)	(C)	(D)	(E)	(F)		
1	1	719811-21700	CRANKSHAFT ASSY	1							
2	2	129100-01580	PIN, M8X16	1							
7	1	22351-040010	PIN, SPRING 4.0X10	1							
8	1	129550-21650	V-PULLEY	1							
9	1	129795-21661	WASHER	1							
10	1	121850-21680	BOLT	1							
11	1	121111-21501	BOLT, FLYWHEEL	6							
12	1	119811-21570	FLYWHEEL ASSY	1							
14	2	124550-21600	GEAR, RING	1							
15	1	119811-22080	PISTON ASSY	3							
17	2	729100-22500	RING SET, PISTON	3							
17-1	2	119811-22500	RING SET, PISTON	3							R
(A=E/# 09502)											
21	1	104200-22300	PIN, PISTON	3							
22	1	129792-22400	CIRCLIP, 23	6							
23	1	719810-23100	ROD ASSY, CONNECTING	3							
26	2	119810-23200	BOLT, CONNECTING ROD	6							
27	2	119810-23600	BEARING, CRANK PIN	3							
29	1	119810-23610	BEARING, 0.25 US	3							1
31	1	119810-23910	BEARING, PISTON PIN	3							2
32	1	719811-22900	PISTON ASSY, 0.25 OS	3							3
34	2	729555-22950	RING SET, 0.25 OS	3							3
38	1	119811-22920	PISTON ASSY, 0.50 OS	3							4
40	2	129100-22970	RING SET, 0.50 OS	3							4

Remarks  
 (1) UNDER-SIZED(U.S=0.25) PART.  
 (2) REPAIR PART.  
 (3) OVER-SIZED(O.S=0.25) PART.  
 (4) OVER-SIZED(O.S=0.5) PART.

OCV10-M13601

Fig.8. LUB. OIL SYSTEM

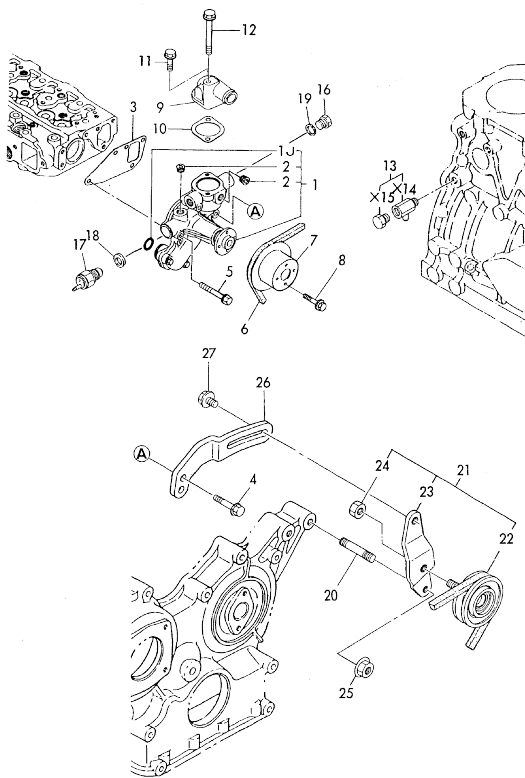
Fig. 8 LUB. OIL SYSTEM



No.	Lev.	Parts No.	Description	Q'ty						I	R
				(A)	(B)	(C)	(D)	(E)	(F)		
1	1	119810-32000	PUMP ASSY, OIL	1							
2	1	129150-32020	GASKET, PUMP	1							
3	1	26450-060252	BOLT, M6X 25	4							
4	1	119600-34800	DIPSTICK, OIL	1							
5	1	121520-34810	GUIDE, DIPSTICK	1							
6	1	129150-35101	BRACKET, STRAINER	1							
7	1	129150-35111	GASKET	1							
8	1	129150-35150	FILTER 90X80L	1							
8-1	1	129150-35151	FILTER, D80XL80	1							N
(A=FROM 1ST)											
9	1	119865-35300	VALVE ASSY, CONTROL	1							
10	1	129150-35350	NUT	1							
11	1	24311-000160	O-RING, 1AP16.0	1							
12	1	26106-080202	BOLT, M8X 20 PLATED	3							
13	1	129150-35041	GASKET	1							
14	1	119810-35300	PIPE ASSY, OIL INLET	1							
16	1	26106-080352	BOLT, M8X 35 PLATED	2							
17	1	124160-39140	BOLT, PIPE JOINT M10	1							
18	1	119810-39200	PIPE ASSY, OIL	1							
19	1	124160-39450	SWITCH, 0.5KG	1							
20	1	124550-59820	BOLT, PIPE JOINT M8	1							
21	1	43400-500410	SEAL WASHER 8S	2							
21-1	1	22190-080002	WASHER, SEAL 6	2							R
(A=E/# 11901)											
22	1	23414-100000	GASKET, 10X1.0	2							

Fig.9. COOLING WATER SYSTEM

Fig.9 COOLING WATER SYSTEM



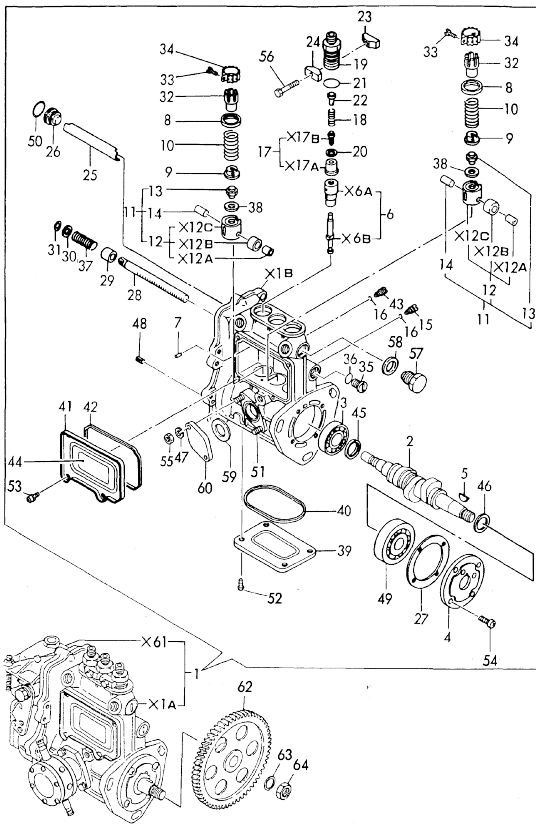
No.	Lev.	Parts No.	Description	Q'ty						I	R
				(A)	(B)	(C)	(D)	(E)	(F)		
1	1	119810-42001	PUMP ASSY, WATER	1							
1J	2	129150-42320	O-RING	1							
2	2	238771-030000	PLUG, R03	2							
3	1	129150-42020	GASKET, WATER PUMP	1							A
4	1	26106-080352	BOLT, M8X 35 PLATED	1							
5	1	26106-080552	BOLT, M8X 55 PLATED	3							
6	1	121236-42290	V-BELT, A39	1							
6-1	1	121492-42290	V-BELT, A38	1							N
(A=E/# 11808)											
7	1	129155-42350	V-PULLEY	1							
8	1	26014-060142	BOLT, M6X 14	4							
9	1	119889-49530	COVER, THERMOSTAT	1							
10	1	129795-49551	GASKET	1							
11	1	26106-080252	BOLT, M8X 25 PLATED	1							
12	1	26106-080652	BOLT, M8X 65 PLATED	1							
13	1	119620-49290	COCK ASSY, 1/4	1							
13-1	1	120130-49350	COCK, 1/4	1							N 1
(A=E/XXX)											
16	1	121450-42450	PLUG, M16	1							
17	1	46150-503100	SWITCH, 95	1							
18	1	124465-44950	GASKET, 16	1							
19	1	124465-44950	GASKET, 16	1							
20	1	121450-01570	STUD	1							
21	1	171375-44300	PULLEY ASSY, TENSION	1							Z
(A=E/# 11808)											
22	2	171011-44301	PULLEY, TENSION	1							Z
(A=E/# 11808)											
23	2	171375-44320	BRACKET, PULLEY	1							Z
(A=E/# 11808)											
24	2	26706-100002	NUT, M10	1							Z
(A=E/# 11808)											
25	1	26366-100002	NUT, M10	1							
26	1	119810-77330	ADJUSTER	1							
27	1	26014-080252	BOLT, M8X 25	1							Z

Remarks

- (1) INTERCHANGEABLE BY SIMULTANEOUS REPLACEMENT WITH NO.14-1 AND NO.15-1,NO.15A.
- (A) THIS PART IS ALSO SOLD BY GASKET SET(FIG 15.REF NO.1,P/# 719810 -92610).

Fig.10. FUEL INJECTION PUMP

Fig.10 FUEL INJECTION PUMP



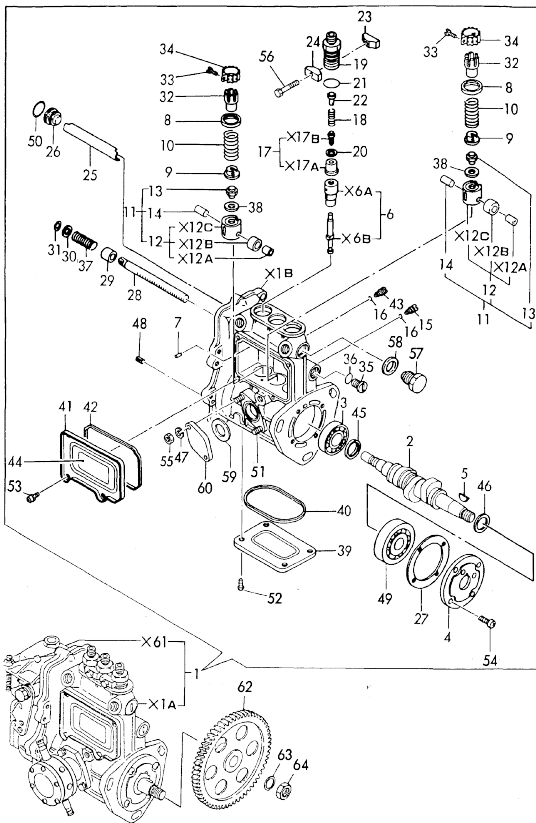
Remarks  
 (1) GOVERNOR ASSY(FIG.14) IS INCORPORATED IN THIS FUEL INJECTION PUMP ASSY(REF.NO.1,P/# 719811-51340).

No.	Lev.	Parts No.	Description	Q'ty						I	R
				(A)	(B)	(C)	(D)	(E)	(F)		
1	1	719811-51340	PUMP ASSY, INJECTION	1							1
2	3	119810-51040	CAMSHAFT	1							
3	3	129155-51050	BEARING, 17BM001D	1							
4	3	129155-51060	SUPPORT, CAMSHAFT	1							
5	3	122710-51090	KEY	1							
6	3	129400-51100	PLUNGER ASSY	3							
7	3	129155-51140	PIN	3							
8	3	174307-51170	RETAINER, SPRING A	3							
9	3	129155-51180	RETAINER, SPRING	3							
10	3	124950-51190	SPRING, PLUNGER	3							
11	3	129155-51200	TAPPET ASSY	3							
12	4	711100-51540	ROLLER ASSY	3							
13	4	129155-51250	BOLT, ADJUSTING	3							
14	4	174100-54120	PIN	3							
15	3	129155-51270	STOPPER, TAPPET	3							
16	3	129155-51280	O-RING, S6	3							
17	3	128170-51300	VALVE ASSY, DELIVERY	3							
18	3	129155-51320	SPRING, DELIVERY	3							
19	3	129155-51340	RETAINER	3							
20	3	124550-51350	GASKET, DELIVERY	3							
21	3	124550-51370	O-RING	3							
22	3	129155-51370	STOPPER, VALVE	3							
23	3	129155-51380	STOPPER	2							
24	3	129155-51390	STOPPER	2							
25	3	129155-51400	DEFLECTOR	1							
26	3	129155-51410	BOLT	1							
27	3	129155-51450	SHIM SET, ADJUSTING	1							
28	3	129155-51500	RACK, CONTROL	1							
29	3	129155-51521	BUSH, RACK	1							
30	3	129155-51530	SPACER	1							
31	3	129155-51540	CIRCLIP	1							
32	3	129155-51550	PINION, CONTROL	3							
33	3	122117-51560	SCREW	3							
34	3	174307-51560	PINION	3							
35	3	129155-51570	PLUG, M12	1							
36	3	129155-51580	O-RING	1							
37	3	129155-51591	SPRING, RACK	1							
38	3	129155-51600	SHIM SET, ADJUSTING	3							
39	3	129155-51700	COVER	1							
40	3	129155-51710	GASKET	1							
41	3	129155-51750	COVER	1							
42	3	129155-51760	GASKET	1							
43	3	129155-51790	STOOPER, RACK	1							
44	3	129156-51910	LABEL, CAUTION	1							
45	3	129155-51930	SPACER, T=3.25	1							
46	3	129155-51940	SPACER, T=1.5	1							
47	3	22217-060000	WASHER, SPRING 6	2							
48	3	22351-050010	PIN, SPRING 5.0X10	2							
49	3	24101-063034	BEARING, BALL 6303	1							
50	3	24341-000160	O-RING, 1AS16.0	1							
51	3	129155-51020	STUD	2							

N:Old  $\frac{100}{100}$  New, Q:Old  $\frac{100}{100}$  New, R:Old  $\frac{100}{100}$  New, S:Old  $\frac{100}{100}$  New, W:Add, Z:Discontinued, F:Interchangeable by set, K:Q'ty Change  
 ++ CONTINUE ++  
 Copyright (C) YANMAR CO., LTD. All Rights Reserved.

Fig.10. FUEL INJECTION PUMP

Fig. 10 FUEL INJECTION PUMP



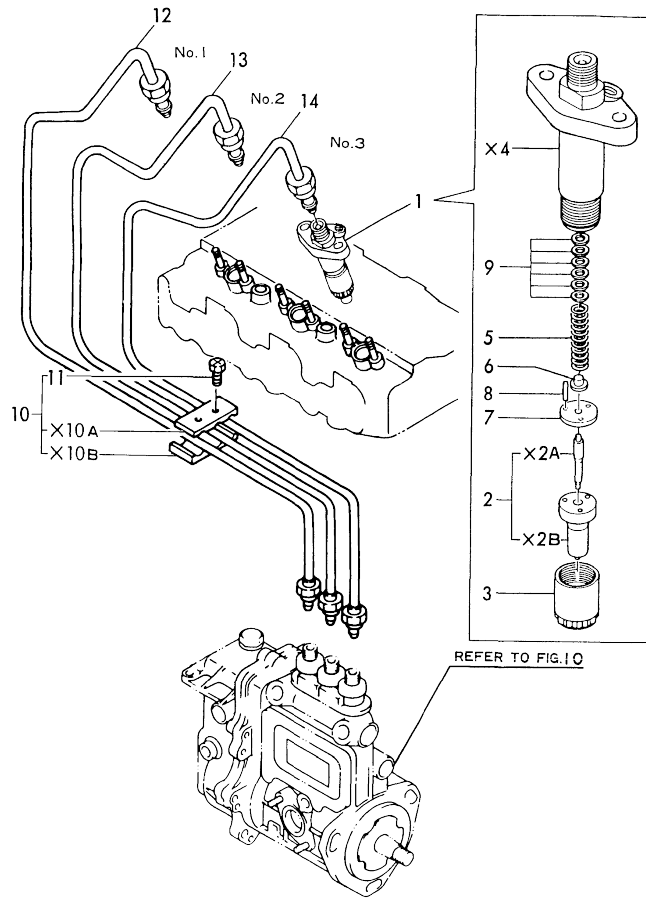
No.	Lev.	Parts No.	Description	Q'ty						I	R
				(A)	(B)	(C)	(D)	(E)	(F)		
52	3	26022-050102	SCREW, M5X10	4							
53	3	26022-050102	SCREW, M5X10	4							
54	3	26022-060162	SCREW, M6X16	4							
55	3	26716-060002	NUT, M6	2							
56	3	26116-050302	BOLT, M5X 30 PLATED	2							
57	3	129155-51420	PLUG, M16	1							
58	3	43400-500490	SEAL WASHER 16S	1							
58-1	3	22190-160002	WASHER, SEAL 16	1							R
(A=E# 11901)											
59	2	129155-52050	GASKET	1							
60	3	129100-52200	COVER	1							
62	1	129150-25900	GEAR, PUMP	1							
63	1	22217-120000	WASHER, SPRING 12	1							
64	1	26716-120002	NUT, M12	1							

Remarks  
 (1) GOVERNOR ASSY(FIG.14) IS INCORPORATED IN THIS FUEL INJECTION PUMP ASSY(REF.NO.1,P/# 719811-51340).



Fig.11. FUEL INJECTION LINE

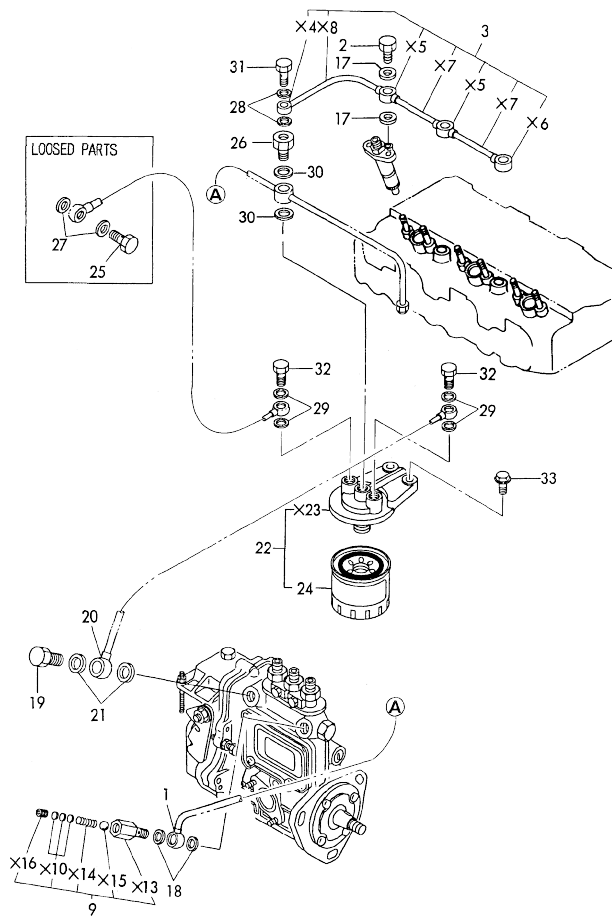
Fig. 11 FUEL INJECTION LINE



No.	Lev.	Parts No.	Description	Q'ty					
				(A)	(B)	(C)	(D)	(E)	(F)
1	1	719800-53300	VALVE ASSY,INJECTION	3					
2	2	119800-53000	VALVE ASSY,INJECTION	3					
3	2	114250-53080	NUT, NOZZLE D16.95	3					
5	2	114250-53120	SPRING, NOZZLE	3					
6	2	114250-53130	SEAT, SPRING	3					
7	2	114250-53140	PLATE	3					
8	2	114250-53210	PIN	6					
9	2	114250-53400	SHIM SET	3					
10	1	129150-59120	RETAINER, PIPE	1					
11	2	129150-59130	BOLT, M4X12	2					
12	2	119810-59810	PIPE ASSY, INJECTION	1					
13	2	119810-59820	PIPE ASSY, INJECTION	1					
14	2	119810-59830	PIPE ASSY, INJECTION	1					

Fig.12. FUEL LINE

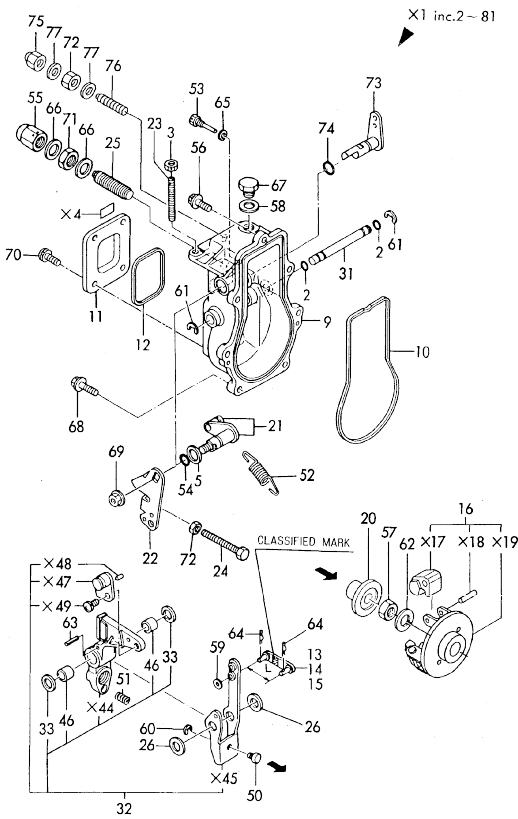
Fig. 12 FUEL LINE



No.	Lev.	Parts No.	Description	Q'ty					
				(A)	(B)	(C)	(D)	(E)	(F)
1	1	101304-59020	JOINT, PIPE 12	1					
2	1	129491-59540	BOLT, PIPE JOINT M6	3					
3	1	171335-59551	PIPE ASSY, RETURN	1					
9	1	129100-59951	VALVE ASSY, CHECK	1					
17	1	23414-060000	GASKET, 6X1.0	6					
18	1	23414-120000	GASKET, 12X1.0	2					
19	1	103854-39140	BOLT, PIPE JOINT	1					
20	1	101304-59020	JOINT, PIPE 12	1					
21	1	104200-59170	GASKET, 12	2					
22	1	129470-55601	FILTER ASSY, FUEL	1					
24	2	129470-55701	STRAINER ASSY, FUEL	1					
25	1	105582-59150	BOLT, PIPE JOINT	2					
26	1	129495-59300	BOLT, PIPE JOINT	1					
27	1	23414-080012	GASKET, 8X1.0	4					
28	1	23414-080012	GASKET, 8X1.0	2					
29	1	23414-120000	GASKET, 12X1.0	4					
30	1	23414-140000	GASKET, 14X1.0	2					
31	1	23851-030000	BOLT M 3, JOINT	1					
32	1	23857-060000	BOLT, JOINT 6	2					
33	1	26106-100302	BOLT, M10X 30 PLATED	2					

Fig.13. GOVERNOR

Fig. 13 GOVERNOR



No.	Lev.	Parts No.	Description	Q'ty						I	R
				(A)	(B)	(C)	(D)	(E)	(F)		
2	2	129155-51280	O-RING, S6	2							
3	2	124550-66370	NUT, M6	1							
5	2	129155-61430	SPACER	1							
9	2	171487-61010	CASE, GOVERNOR	1							
9-1	2	171487-61011	CASE, GOVERNOR	1							N
(A=E/# 06899)											
10	2	129155-61050	GASKET	1							
11	2	129155-61060	COVER, GOVERNOR CASE	1							
12	2	129155-61070	GASKET	1							
13	2	129155-61120	LINK, L=30 MARK 0	1							1
14	2	129155-61130	LINK, L=31 MARK 1	1							1
15	2	129155-61140	LINK, L=30.5 MARK 05	1							1
16	2	171488-61200	WEIGHT ASSY, GOVERNOR	1							
20	2	129155-61341	SLEEVE	1							
21	2	129100-61400	SHAFT ASSY	1							
22	2	171488-61440	LEVER, CONTROL	1							
23	2	129155-61450	BOLT, LIMITER	1							
24	2	129155-61460	BOLT, IDLE	1							
25	2	129155-61470	BOLT, CONTROL	1							
26	2	129155-61480	SPACER ASSY	2							
31	2	129155-61490	SHAFT	1							
32	2	129100-61500	LEVER ASSY, GOVERNOR	1							
32-1	2	129100-61501	LEVER ASSY, GOVERNOR	1							N
(A=E/# 06899)											
33	3	174307-51700	SHIM SET	2							
46	3	129155-61530	BUSH	2							
46-1	3	119843-61550	BUSH	2							N
(A=E/XXX)											
50	2	129155-61540	SHIFTER	1							
51	2	129100-61650	SPRING, CONTROLLER	1							
52	2	129477-61720	SPRING, GOVERNOR	1							
52-1	2	129477-61710	SPRING, GOVERNOR	1							N
(A=E/# 06899)											
53	2	129155-61810	PIN	1							
54	2	129155-61830	O-RING, S10	1							
55	2	129100-61930	NUT, CAP	1							
56	2	129155-61950	BOLT	1							
57	2	26776-120002	NUT, LOCK M12	1							
58	2	43400-500430	SEAL WASHER 10S	1							
58-1	2	22190-100002	WASHER, SEAL 10	1							R
(A=E/# 11901)											
59	2	22117-040000	WASHER, 4	1							
60	2	22272-000040	RING, E- 4	1							
61	2	22272-000060	RING, E- 6	2							
62	2	22287-120000	WASHER, 12	1							
63	2	22351-030016	PIN, SPRING 3.0X16	1							
64	2	22372-040000	PIN, SNAP 4	2							
65	2	43400-500390	SEAL WASHER 6S	1							
65-1	2	22190-060002	WASHER, SEAL 6	1							R
(A=E/# 11901)											
66	2	43400-500450	SEAL WASHER 12S	2							

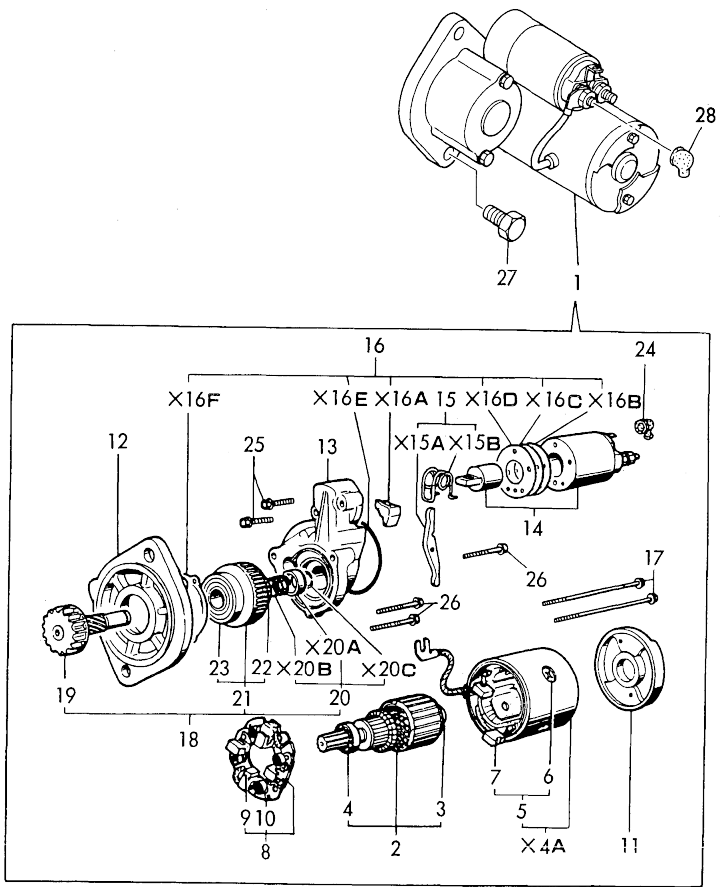
N:Old  $\frac{100}{100}$  New, Q:Old  $\frac{100}{100}$  New, R:Old  $\frac{100}{100}$  New, S:Old  $\frac{100}{100}$  New, W:Add, Z:Discontinued, F:Interchangeable by set, K:Qty Change  
 ++ CONTINUE ++  
 Copyright (C) YANMAR CO., LTD. All Rights Reserved.

Remarks  
 (1) SELECTIVE PARTS : CERTAIN THE CLASSIFICATION MARK, THEN PLACE YOUR ORDER. (ILLUSTRATION)



Fig.14. STARTING MOTOR

Fig. 14 STARTING MOTOR

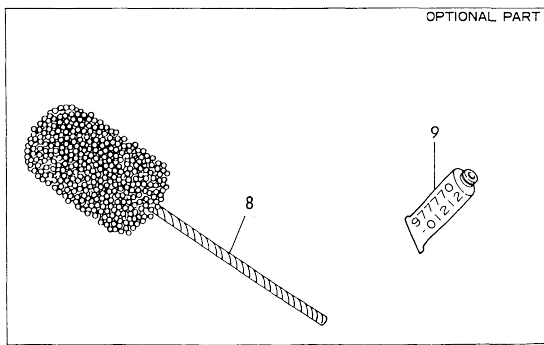
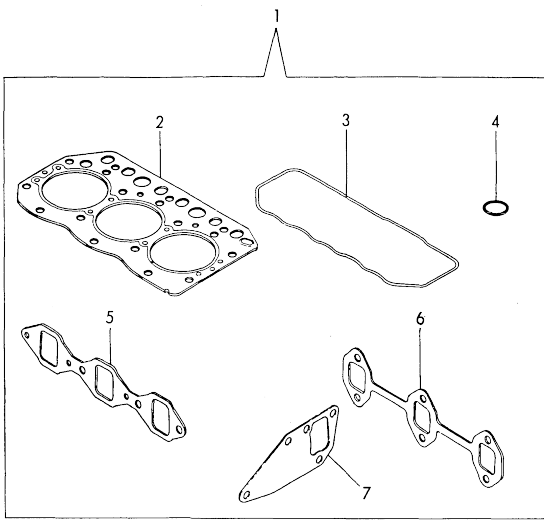


No.	Lev.	Parts No.	Description	Q'ty						I	R
				(A)	(B)	(C)	(D)	(E)	(F)		
1	1	171008-77010	STARTER, S114-483	1							
2	2	171008-77400	ARMATURE ASSY	1							
3	3	171008-77410	BEARING(1)	1							
4	3	171008-77420	BEARING(2)	1							
5	3	171008-77440	COIL ASSY, FIELD	1							
6	4	171008-77450	SCREW	4							
7	4	171008-77460	BRUSH (+)	2							
8	2	171008-77470	HOLDER ASSY, BRUSH	1							
9	3	171008-77480	BRUSH (-)	2							
10	3	171008-77490	SPRING, BRUSH	4							
11	2	171008-77500	COVER, REAR	1							
12	2	171008-77510	HOUSING ASSY, GEAR	1							
13	2	171008-77520	HOUSING, CENTER	1							
14	2	171008-77530	SWITCH, MAGNETIC	1							
15	2	171008-77540	LEVER SET, SHIFT	1							
16	2	171008-77571	DUST COVER, (NON-ASB.	1							
17	2	171008-77640	BOLT, THROUGH	2							
18	2	171008-77650	PINION ASSY	1							
19	3	171008-77660	SHAFT, PINION	1							
20	3	171008-77670	STOPPER SET, PINION	1							
21	3	171008-77720	CLUTCH ASSY	1							
22	4	171008-77730	BALL BEARING (3)	1							
23	4	171008-77740	BALL BEARING (4)	1							
24	2	171008-77750	COVER, M TERMINAL	1							
25	2	26108-060322	BOLT, M6X 32 PLATED	2							
26	2	26108-060402	BOLT, M6X 40 PLATED	3							
27	1	26116-120302	BOLT, M12X 30 PLATED	2							
27-1	1	26116-120252	BOLT, M12X 25 PLATED	2							N
(A)=EXXX											
28	1	124550-77030	COVER, TERMINAL	1							

N:Old  $\frac{100}{100}$  New, Q:Old  $\frac{100}{100}$  New, R:Old  $\frac{100}{100}$  New, S:Old  $\frac{100}{100}$  New, W:Add, Z:Discontinued, F:Interchangeable by set, K:Q'ty Change  
 Copyright (C) YANMAR CO., LTD. All Rights Reserved.

Fig.15. GASKET SET & TOOL(OPTIONAL)

Fig. **15** GASKET SET & TOOL (OPTIONAL)



No.	Lev.	Parts No.	Description	Q'ty					
				(A)	(B)	(C)	(D)	(E)	(F)
1	1	719810-92610	GASKET SET	1					
2	2	119811-01330	GASKET, HEAD T=1.4	1					
3	2	119865-11310	GASKET, BONNET	1					
4	2	24311-000120	O-RING, 1AP12.0	1					
5	2	119810-12111	GASKET, MANIFOLD	1					
6	2	119810-13110	GASKET	1					
7	2	129150-42020	GASKET, WATER PUMP	1					
8	1	129400-92410	FLEX HORN	1					
9	1	97770-01212		1					

## Parts No. Index

Parts No.	Fig. No.	Ref. No.
101158-11190	4	14
101304-59020	12	1
		20
103854-39140	12	19
104200-22300	7	21
104200-59170	12	21
104211-11180	4	13
104211-11370	4	17
105582-59150	12	25
114250-53080	11	3
114250-53120	11	5
114250-53130	11	6
114250-53140	11	7
114250-53210	11	8
114250-53400	11	9
119600-34800	8	4
119600-66840	13	75
119620-02020	1	12
119620-49290	9	13
119625-11870	4	31
119625-11880	4	32
119625-11900	4	33
119800-53000	11	2
119810-01200	1	22
119810-01730	3	5
119810-01770	3	6
119810-01780	3	15
119810-02870	1	24
119810-02940	1	27
119810-11100	4	10
119810-11110	4	11
119810-11120	4	12
119810-11240	4	20
119810-11300	4	39
119810-11350	4	38
119810-12111	5	1
	15	5
119810-13110	5	4
	15	6
119810-14011	6	1 A
119810-14400	6	4
119810-14580	6	1
119810-23200	7	26
119810-23600	7	27
119810-23610	7	29
119810-23910	7	31
119810-32000	8	1
119810-35300	8	14
119810-39200	8	18
119810-42001	9	1

Parts No.	Fig. No.	Ref. No.
119810-51040	10	2
119810-59810	11	12
119810-59820	11	13
119810-59830	11	14
119810-77330	9	26
119811-01330	1	23
	15	2
119811-11710	4	1 -1
119811-21570	7	12
119811-22080	7	15
119811-22500	7	17 -1
119811-22920	7	38
119843-61550	13	46 -1
119860-01650	3	14
119865-11210	4	19
119865-11310	4	40
	15	3
119865-35300	8	9
119889-12700	5	2
119889-49530	9	9
120130-49350	9	13 -1
121023-01550	2	21
121111-21501	7	11
121236-42290	9	6
121450-01560	2	3
121450-01570	9	20
121450-42450	9	16
121492-42290	9	6 -1
121520-34810	8	5
121850-11860	4	5
121850-21680	7	10
121850-51960	2	9
122117-51560	10	33
122710-51090	10	5
124060-11800	4	37
124160-01751	2	4
	4	38 A
124160-01910	1	5
124160-11340	4	15
124160-11360	4	47
124160-39140	8	17
124160-39450	8	19
124240-01871	2	6
124240-01883	2	7
124465-44950	9	18
		19
124550-21600	7	14
124550-51350	10	20
124550-51370	10	21
124550-59820	8	20

Parts No.	Fig. No.	Ref. No.
124550-66370	13	3
124550-77030	14	28
124736-07900	4	51
124950-11340	4	16
124950-51190	10	10
128170-51300	10	17
129100-01580	3	2 -1
		12
	7	2
129100-22970	7	40
129100-25061	6	6
129100-52200	10	60
129100-59951	12	9
129100-61400	13	21
129100-61500	13	32
129100-61501	13	32 -1
129100-61650	13	51
129100-61930	13	55
129100-77510	5	5
129120-77501	5	6
129150-02450	6	3 A
129150-03020	4	44
129150-03070	4	45
129150-03080	4	46
129150-03090	4	49
129150-03100	4	50
129150-11230	4	27
129150-11280	4	25
129150-11750	4	29
129150-14101	6	2
129150-14200	6	5
129150-25101	6	7
129150-25900	10	62
129150-32020	8	2
129150-35041	8	13
129150-35101	8	6
129150-35111	8	7
129150-35150	8	8
129150-35151	8	8 -1
129150-35350	8	10
129150-42020	9	3
	15	7
129150-42320	9	1 J
129150-59120	11	10
129150-59130	11	11
129150-77511	5	5 -1
129155-11260	4	23
129155-11270	4	24
129155-42350	9	7
129155-51020	10	51

Parts No.	Fig. No.	Ref. No.
129155-51050	10	3
129155-51060	10	4
129155-51140	10	7
129155-51180	10	9
129155-51200	10	11
129155-51250	10	13
129155-51270	10	15
129155-51280	10	16
	13	2
129155-51320	10	18
129155-51340	10	19
129155-51370	10	22
129155-51380	10	23
129155-51390	10	24
129155-51400	10	25
129155-51410	10	26
129155-51420	10	57
129155-51450	10	27
129155-51500	10	28
129155-51521	10	29
129155-51530	10	30
129155-51540	10	31
129155-51550	10	32
129155-51570	10	35
129155-51580	10	36
129155-51591	10	37
129155-51600	10	38
129155-51700	10	39
129155-51710	10	40
129155-51750	10	41
129155-51760	10	42
129155-51790	10	43
129155-51930	10	45
129155-51940	10	46
129155-52050	10	59
129155-61050	13	10
129155-61060	13	11
129155-61070	13	12
129155-61120	13	13
129155-61130	13	14
129155-61140	13	15
129155-61341	13	20
129155-61430	13	5
129155-61450	13	23
		76
129155-61460	13	24
129155-61470	13	25
129155-61480	13	26
129155-61490	13	31
129155-61530	13	46

## Parts No. Index

Parts No.	Fig. No.	Ref. No.
129155-61540	13	50
129155-61810	13	53
129155-61830	13	54
129155-61950	13	56
129156-51910	10	44
129176-01601	3	1
129400-01520	2	5
129400-51100	10	6
129400-92410	15	8
129470-55601	12	22
129470-55701	12	24
129477-61710	13	52 -1
129477-61720	13	52
129491-59540	12	2
129495-59300	12	26
129550-21650	7	8
129792-22400	7	22
129795-01800	2	2
129795-01950	2	8
129795-02411	1	19
129795-21661	7	9
129795-49551	9	10
171008-77010	14	1
171008-77400	14	2
171008-77410	14	3
171008-77420	14	4
171008-77440	14	5
171008-77450	14	6
171008-77460	14	7
171008-77470	14	8
171008-77480	14	9
171008-77490	14	10
171008-77500	14	11
171008-77510	14	12
171008-77520	14	13
171008-77530	14	14
171008-77540	14	15
171008-77571	14	16
171008-77640	14	17
171008-77650	14	18
171008-77660	14	19
171008-77670	14	20
171008-77720	14	21
171008-77730	14	22
171008-77740	14	23
171008-77750	14	24
171011-44301	9	22
171051-01921	1	4
171301-01640	3	7
171335-59551	12	3

Parts No.	Fig. No.	Ref. No.
171375-44300	9	21
171375-44320	9	23
171487-61010	13	9
171487-61011	13	9 -1
171488-61200	13	16
171488-61440	13	22
171488-61802	13	73
174100-54120	10	14
174307-51170	10	8
174307-51560	10	34
174307-51700	13	33
22117-04000	13	59
22190-060002	13	65 -1
		77 -1
22190-080002	2	18 -1
		20 -1
	8	21 -1
22190-100002	13	58 -1
22190-120002	13	66 -1
22190-160002	10	58 -1
22217-060000	10	47
22217-120000	10	63
22272-000040	13	60
22272-000060	13	61
22287-120000	13	62
22312-080200	3	2
22351-030016	13	63
22351-040010	7	7
22351-050010	10	48
22351-060012	4	18
22372-040000	13	64
22512-070140	6	3
23414-060000	12	17
23414-080012	12	27
		28
23414-100000	8	22
23414-120000	12	18
		29
23414-140000	12	30
23851-030000	12	31
23857-060000	12	32
23871-010000	1	6
23871-030000	4	6
	9	2
23887-100002	13	67
23887-120002	1	20
24101-063034	10	49
24311-000120	4	48
	15	4
24311-000160	2	10

Parts No.	Fig. No.	Ref. No.
24311-000160	8	11
24311-000320	2	11
	4	43
24311-240100	13	74
24341-000160	10	50
24341-000240	2	22
	3	9
24341-000500	4	41
26014-060142	9	8
26014-080252	9	27
26022-050102	10	52
		53
	13	70
		70 -1
26022-060162	10	54
26023-050102	13	70 A
26106-060122	2	23
26106-060202	13	68
26106-060322	14	25
26106-060402	14	26
26106-080122	2	12
26106-080142	4	52
26106-080162	1	21
	2	13
	3	10
	4	42
26106-080202	2	19
	8	12
26106-080252	4	34
	5	3
	9	11
26106-080302	3	16
26106-080352	3	17
	5	7
	8	16
	9	4
26106-080452	2	14
	3	11
	6	10
26106-080502	4	35
26106-080552	2	15
	9	5
26106-080652	9	12
26106-080852	2	16
26106-100302	12	33
26116-050302	10	56
26116-120252	14	27 -1
26116-120302	14	27
26206-100202	3	3
26206-100252	3	4

Parts No.	Fig. No.	Ref. No.
26216-060302	4	7
26226-080182	4	30
26366-060002	4	36
26366-080002	2	17
	13	69
26366-100002	9	25
26450-060252	8	3
26706-100002	9	24
26716-060002	10	55
26716-120002	10	64
26756-060002	13	72
26776-120002	13	57
		71
27231-500000	1	7
27241-100000	4	22
27241-120000	1	8
27241-220000	4	8
27241-300000	1	9
27241-400000	4	9
27310-070001	4	14 -1
43400-500390	13	65
43400-500400	13	77
43400-500410	2	18
		20
	8	21
43400-500430	13	58
43400-500450	13	66
43400-500490	10	58
46150-503100	9	17
711100-51540	10	12
719800-53300	11	1
719810-01500	2	1
719810-01650	3	13
719810-02800	1	13
719810-02930	1	16
719810-11660	4	26
719810-11700	4	1
719810-23100	7	23
719810-92610	15	1
719811-01560	1	1
719811-21700	7	1
719811-22900	7	32
719811-51340	10	1
729100-22500	7	17
729555-22950	7	34
977770-01212	15	9