

0CD10-M33901EN

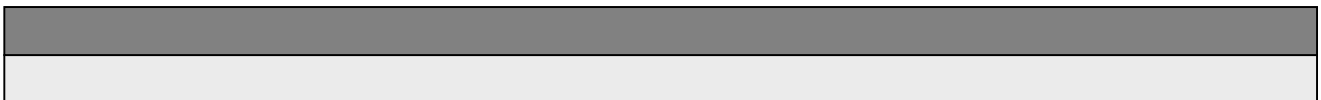
# PREFACE

1. This Parts Catalog is the 1st edition of 3TNC78L-RTBZ Diesel Engine for TAKEUCHI IND..

Pub. No. : 000Y00D3391  
Published : September, 1991

2. Model name

Engine model	Vehicle		Vehicle made by
	Products	Model name	
3TNC78L-RTBZ	—	—	TAKEUCHI IND.



## Directions for the Parts Catalog.

1. This Parts Catalog shows both standard and optional parts.
2. Parts may change without prior notice.
3. The following is an example of the Parts Catalog format.

REF.	LEV.	PARTS NO.	DESCRIPTION	Q'TY						I	R
				(A)	(B)	(C)	(D)	(E)	(F)		
1	1	729595-51390	FUEL INJECTION PUMP	1	1	1	1	1			1
1-1	1	729595-51391	FUEL INJECTION PUMP	1	1	1	1	1		N	1
		(A=E00185) (B=E00200)									
3	2	26022-060162	SCREW M 6X 16	9	9	9	9	9			
3-1	2	26022-060162	SCREW M 6X 16	4	4	4	4	4		K	
		(A=E00156) (B=E00156) (C=E00156) (D=E00156) (E=E00156)									
4	2	129470-51040	CAMSHAFT	1	1	1	1	1			
5	2	122710-51050	BEARING, ROLLER	2	2	2	2	2			
6	2	129470-51060	RETAINER	1	1	1	1	1			

Remarks
(1) BOOST COMPEMSATOR TYPE. OPTIONAL PART, TO E00155,(4JH-DT, 4JH-DTZ

### ① Ref. No.

The Ref. No. listed may not be in accordance with the illustration Ref. No.

(Ex.) Illustration No.

List Ref No.

1 1 (Before change) → 1-1 (After change)

For interchangeable symbols N, R and K, illustrations for new parts may be abbreviated.

### ② Lev. (Level)

Level indication

The numbers below indicate the level of relativity towards the main part.

1 ---- Main parts (Assembly parts)

2 ---- Sub component included in " 1 ".

3 ---- Sub component included in " 2 ".

Note) Parts that are not for sale are partially illustrated but not listed.

### ③ Interchangeability Symbol

When a part change takes place, one of the following interchangeability symbols is indicated beside the part.

Symbol	Interchangeability	Contents note
N	Old $\begin{matrix} \leftarrow \text{Yes} \\ \text{No} \rightarrow \end{matrix}$ New	New Part is interchangeable for Old Part but Old Part is not interchangeable for New Part.
Q	Old $\begin{matrix} \leftarrow \text{No} \\ \text{Yes} \rightarrow \end{matrix}$ New	New Part is not interchangeable for Old Part but Old Part is interchangeable for New Part.
R	Old $\begin{matrix} \leftarrow \text{Yes} \\ \text{Yes} \rightarrow \end{matrix}$ New	New/ Old Parts are both interchangeable.
S	Old $\begin{matrix} \leftarrow \text{No} \\ \text{No} \rightarrow \end{matrix}$ New	New/ Old Parts are both not interchangeable.
W		Part newly added.
Z		Part discontinued.
F		Not interchangeable by a single part but interchangeable together with related parts.
K		Changes only for used parts quantities.

### ④ Effective Machine No.

When a part changes, the effective Machine No. will be indicated in the (A)-(F) column.

Product Symbol	Product No.	Product Symbol	Product No.
C	Clutch No. Compressor No.	F	Machine No. (Agricultural Equip.)
D	Drive No.	M	Machine No.
E	Engine No.		

Note 1) A date may follow the symbol. (Ex.) 1996.01

Note 2) "XXXXX" and "ZZZZZ" are for parts that could not be predicted or for engine models that could not be identified.

Note 3) (A=E00185) is the E (Engine Serial Number) for the column (A) model (in this case 4JH-DT) after the parts design change.

### ⑤ Remarks

Figures or alphabets (symbols) are entered in the remarks column.

The comments (remarks) on parts that are indicated at the bottom of the illustration are the same symbols as those stated above.

## Contents

OCD10-M33901

Fig. No.	Fig. Name	Fig. No.	Fig. Name
3TNC78L-RTBZ			
1.	CYLINDER BLOCK		
2.	GEAR HOUSING		
3.	FLYWHEEL HOUSING & OIL SUMP		
4.	CYLINDER HEAD		
5.	SUCTION MANIFOLD & AIR CLEANER		
6.	EXHAUST MANIFOLD & SILENCER		
7.	CAMSHAFT & DRIVE GEAR		
8.	CRANKSHAFT & PISTON		
9.	LUB. OIL PUMP		
10.	COOLING WATER SYSTEM		
11.	FUEL INJECTION PUMP		
12.	FUEL INJECTION VALVE		
13.	FUEL OIL STRAINER & PIPE		
14.	GOVERNOR		
15.	STARTING MOTOR		
16.	GENERATOR		
17.	TOOLS & GASKET SET		

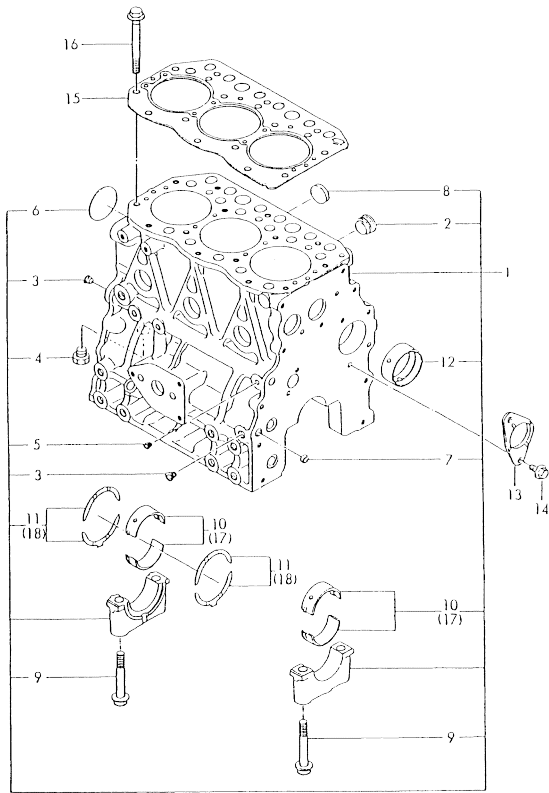
OCD10-M33901 3TNC78L-RTBZ  
 Fig.1. CYLINDER BLOCK

OCD10-M33901 Fig.1

(A)=3TNC78L-RTBZ  
 (B)=  
 (C)=

(D)=  
 (E)=  
 (F)=

D19811-01100  
 019863-02100  
 029125-02200



No.	Lev.	Parts No.	Description	Q'ty						I	R
				(A)	(B)	(C)	(D)	(E)	(F)		
1	1	719811-01560	BLOCK ASSY, CYLINDER	1							
2	2	171051-01921	PLUG, NPTF1	1							
3	2	124160-01910	PLUG, PT1/4	2							
4	2	23887-120002	PLUG, 12	1							
5	2	23871-010000	PLUG, R01	1							
6	2	27231-500000	PLUG 50	1							
7	2	27241-120000	PLUG, 12	2							
8	2	27241-300000	PLUG 30	6							
9	2	119620-02020	BOLT, METAL CAP	8							
10	2	719810-02800	BEARING, MAIN	4							
11	2	719810-02930	BEARING, THRUST	2							
12	2	129795-02411	BUSH, CAMSHAFT	1							
13	1	129150-02450	BEARING, THRUST	1							Z
(A=EXXXX)											
14	1	26106-080162	BOLT, M8X 16 PLATED	2							
15	1	119811-01330	GASKET, HEAD T=1.4	1							
16	1	119810-01200	BOLT, HEAD	14							
17	1	119810-02870	BEARING, 0.25 US	4							1
18	1	119810-02940	BEARING, THRUST 0.25	2							2

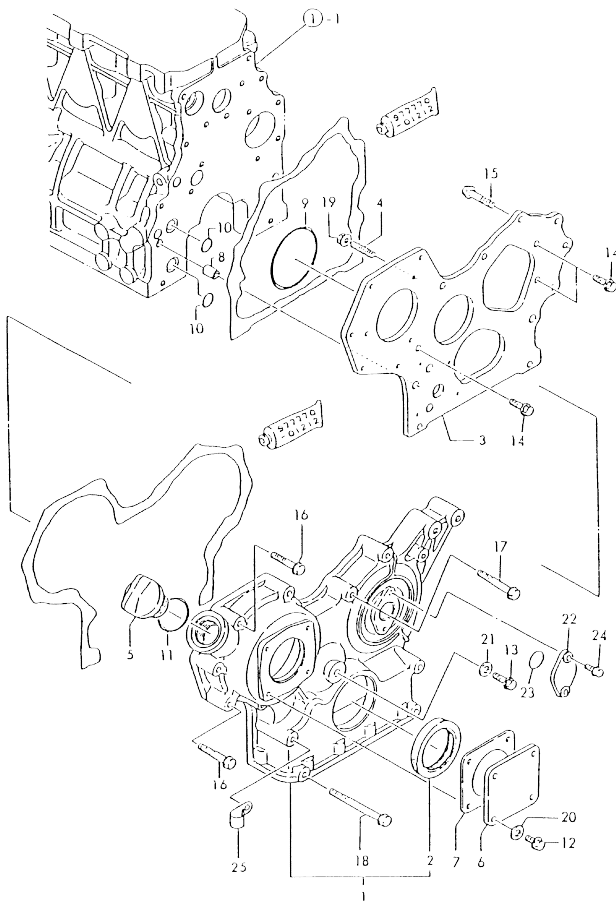
Remarks  
 (1) UNDER-SIZE(U.S=0.25)PART.  
 (2) OVER-SIZE(O.S=0.25)PART.

N:Old  $\frac{100}{100}$  New, Q:Old  $\frac{100}{100}$  New, R:Old  $\frac{100}{100}$  New, S:Old  $\frac{100}{100}$  New, W:Add, Z:Discontinued, F:Interchangeable by set, K:Q'ty Change  
 Copyright (C) YANMAR CO., LTD. All Rights Reserved.

OCD10-M33901 3TNC78L-RTBZ  
 Fig.2. GEAR HOUSING

OCD10-M33901 Fig.2

D29400-01220  
 D29100-01210



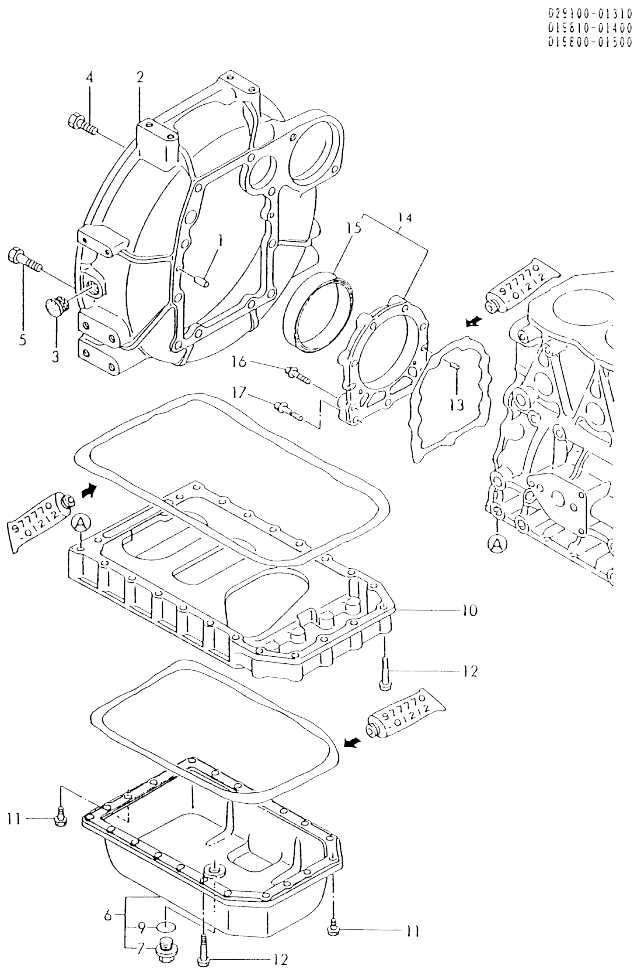
(A)=3TNC78L-RTBZ  
 (B)=  
 (C)=

(D)=  
 (E)=  
 (F)=

No.	Lev.	Parts No.	Description	Qty						I	R
				(A)	(B)	(C)	(D)	(E)	(F)		
1	1	129400-01590	CASE ASSY, GEAR	1							W
(A=E03851)											
2	2	129795-01800	SEAL, OIL	1							
3	1	129400-01520	FLANGE, GEAR CASE	1							
4	1	121450-01560	STUD, M8X22	3							
5	1	124160-01751	COVER, FILLER	1							
6	1	124240-01871	COVER	1							
7	1	124240-01882	GASKET	1							
7-1	1	124240-01883	GASKET	1							N
(A=E03851)											
8	1	129795-01950	PIPE, KNOCK L=18	2							
9	1	121850-51960	O-RING	1							
10	1	24311-000160	O-RING, 1AP16.0	2							
11	1	24311-000320	O-RING, 1AP32.0	1							
12	1	26106-080122	BOLT, M8X 12 PLATED	4							
13	1	26106-080162	BOLT, M8X 16 PLATED	1							
14	1	26106-080162	BOLT, M8X 16 PLATED	3							
15	1	26106-080202	BOLT, M8X 20 PLATED	2							
16	1	26106-080452	BOLT, M8X 45 PLATED	6							
17	1	26106-080552	BOLT, M8X 55 PLATED	3							
18	1	26106-080852	BOLT, M8X 85 PLATED	4							
19	1	26366-080002	NUT, M8	3							
20	1	43400-500410	SEAL WASHER 8	4							
21	1	43400-500410	SEAL WASHER 8	1							
22	1	121023-01550	COVER	1							
23	1	24341-000240	O-RING, 1AS24.0	1							
24	1	26106-060122	BOLT, M6X 12 PLATED	2							
25	1	129150-03100	RETAINER, PIPE	1							W
(A=E03851)											

N:Old  $\frac{100}{100}$  New, Q:Old  $\frac{100}{100}$  New, R:Old  $\frac{100}{100}$  New, S:Old  $\frac{100}{100}$  New, W:Add, Z:Discontinued, F:Interchangeable by set, K:Qty Change  
 Copyright (C) YANMAR CO., LTD. All Rights Reserved.

Fig.3. FLYWHEEL HOUSING & OIL SUMP



029100-01310  
015610-01400  
015600-01500

(A)=3TNC78L-RTBZ  
(B)=  
(C)=

(D)=  
(E)=  
(F)=

No.	Lev.	Parts No.	Description	Q'ty						I	R
				(A)	(B)	(C)	(D)	(E)	(F)		
1	1	129100-01580	PIN, M8X16	2							
2	1	171301-01600	HOUSING, FLYWHEEL	1							
3	1	119620-01750	CAP	1							
4	1	26206-100252	BOLT, M10X 25 PLATED	6							
5	1	26206-100302	BOLT, M10X 30 PLATED	4							
6	1	719810-01541	SUMP ASSY, OIL	1							
6-1	1	119810-01790	SUMP ASSY, OIL	1							N
(A=E03851)											
7	2	171301-01640	PLUG, 22	1							
9	2	24341-000240	O-RING, 1AS24.0	1							
10	1	119810-01730	SPACER, OIL SUMP	1							
11	1	26106-080162	BOLT, M8X 16 PLATED	6							
12	1	26106-080452	BOLT, M8X 45 PLATED	22							
13	1	129100-01580	PIN, M8X16	2							
14	1	119860-01640	CASE ASSY, OIL SEAL	1							W
(A=E03851)											
15	2	119810-01780	SEAL, 769310	1							
16	1	26106-080302	BOLT, M8X 30 PLATED	6							
17	1	26106-080352	BOLT, M8X 35 PLATED	3							

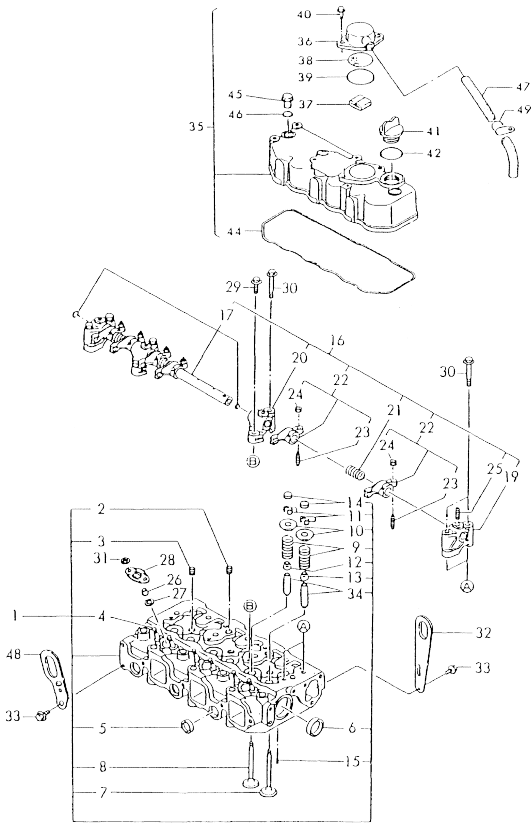
OCD10-M33901 3TNC78L-RTBZ  
**Fig.4. CYLINDER HEAD**

OCD10-M33901 Fig.4

(A)=3TNC78L-RTBZ  
 (B)=  
 (C)=

(D)=  
 (E)=  
 (F)=

029100-03120  
 019820-01200  
 015611-11110  
 019810-11210



No.	Lev.	Parts No.	Description	Qty						I	R	
				(A)	(B)	(C)	(D)	(E)	(F)			
1	1	719810-11700	HEAD ASSY, CYLINDER	1								
1-1	1	719811-11700	HEAD ASSY, CYLINDER	1								N
(A=E0000)												
2	2	121850-11860	PLUG, PT1/4	2								
3	2	23871-030000	PLUG, R03	3								
4	2	26216-060302	STUD, M6X 30	6								
5	2	27241-220000	PLUG, 22	3								
6	2	27241-400000	PLUG, 40	2								
7	2	119810-11100	VALVE, INTAKE	3								
8	2	119810-11110	VALVE, EXHAUST	3								
9	2	119810-11120	SPRING, VALVE	6								
10	2	104211-11180	RETAINER, SPRING	6								
11	2	101158-11190	COTTER	6								
11-1	2	27310-070001	COTTER, 7	6								R
(A=E00000)												
12	2	124950-11340	SEAL, VALVE STEM	3								
13	2	124160-11340	SEAL, VALVE STEM	3								
14	2	104211-11370	CAP, VALVE	6								
15	2	22351-060012	PIN, SPRING 6.0X12	2								
16	1	119865-11200	SUPPORT ASSY, ARM	1								
17	2	119810-11240	SHAFT ASSY, ROCKER	1								
19	2	129155-11260	SUPPORT, ROCKER ARM	2								
20	2	129155-11270	SUPPORT, ROCKER ARM	2								
21	2	129150-11280	SPRING	3								
22	2	719865-11650	ARM ASSY, ROCKER	6								
22-1	2	719810-11650	ARM ASSY, ROCKER	6								N
(A=E03851)												
23	3	129150-11230	SCREW, VALVE ADJUST	6								
24	3	129150-11750	NUT, M8	6								
25	2	26226-080182	STUD, M8X 18	3								
26	1	119625-11870	PROTECTOR, NOZZLE	3								
27	1	119625-11880	SEAT, NOZZLE	3								
28	1	119625-11900	RETAINER, NOZZLE	3								
29	1	26106-080252	BOLT, M8X 25 PLATED	2								
30	1	26106-080502	BOLT, M8X 50 PLATED	6								
31	1	26366-060002	NUT, M6	6								
32	1	124736-07900	LIFTER	1								
33	1	26106-080142	BOLT, M8X 14 PLATED	4								
34	1	124060-11800	GUIDE, VALVE	6								1
35	1	119810-11350	BONNET ASSY, HEAD	1								W
(A=E03851)												
36	2	129150-03020	COVER, BREATHER	1								
37	2	129150-03070	BAFFLE, BREATHER	1								
38	2	129150-03080	PLATE, BAFFLE	1								
39	2	24341-000500	O-RING, 1AS5.0	1								
40	2	26106-080162	BOLT, M8X 16 PLATED	2								
41	2	124160-01751	COVER, FILLER	1								
42	2	24311-000320	O-RING, 1AP32.0	1								
44	2	119865-11310	GASKET, BONNET	1								
45	1	124160-11360	KNOB	3								
46	1	24311-000120	O-RING, 1AP12.0	3								

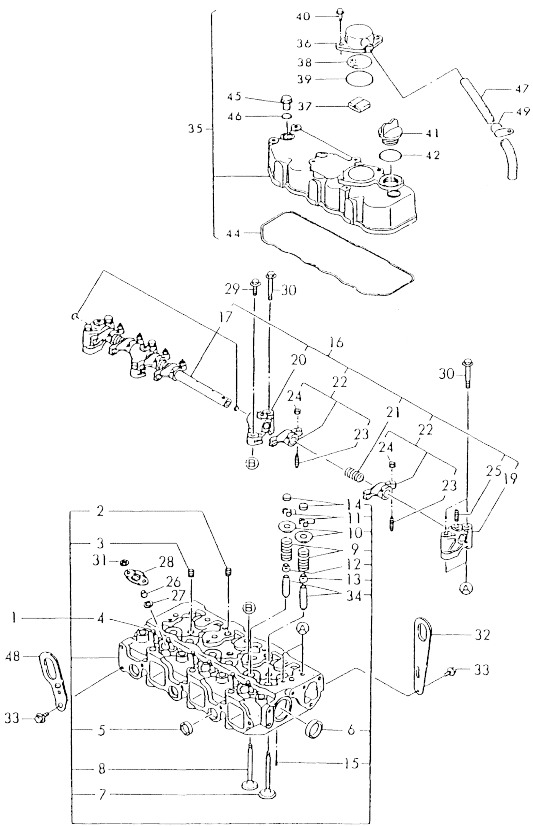
Remarks  
 (1) REPAIR PART.

N:Old  $\frac{100}{100}$  New, Q:Old  $\frac{100}{100}$  New, R:Old  $\frac{100}{100}$  New, S:Old  $\frac{100}{100}$  New, W:Add, Z:Discontinued, F:Interchangeable by set, K:Qty Change  
 ++ CONTINUE ++  
 Copyright (C) YANMAR CO., LTD. All Rights Reserved.



OCD10-M33901 3TNC78L-RTBZ  
 Fig.4. CYLINDER HEAD

029100-03120  
 019820-07200  
 015611-11110  
 015610-11210



OCD10-M33901 Fig.4

(A)=3TNC78L-RTBZ  
 (B)=  
 (C)=

(D)=  
 (E)=  
 (F)=

No.	Lev.	Parts No.	Description	Q'ty						I	R
				(A)	(B)	(C)	(D)	(E)	(F)		
47	1	129150-03090	HOSE, ID16X2T	1							
48	1	119260-07900	LIFTER	1							
49	1	129150-03100	RETAINER, PIPE	1							Z

(A=E03851)

Remarks  
 (1) REPAIR PART.

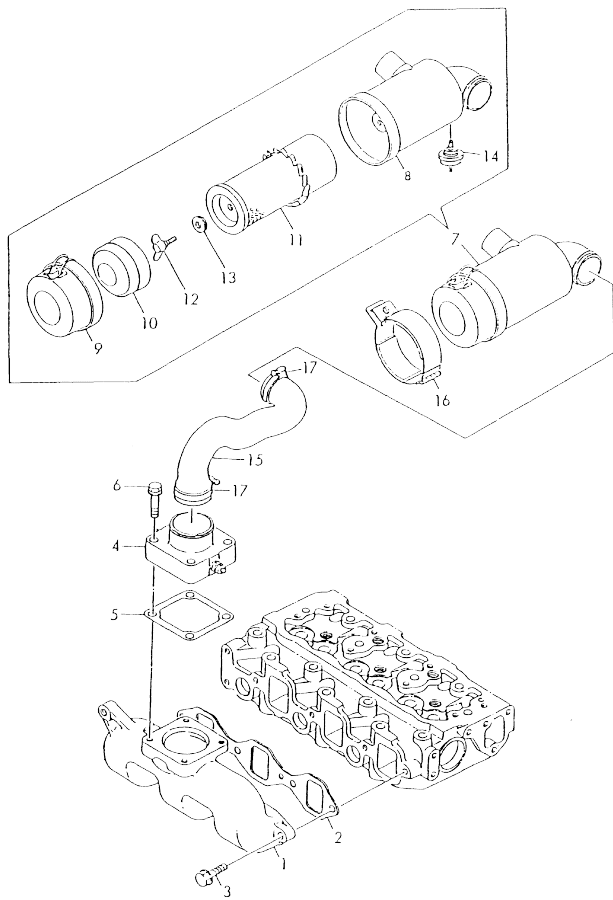
N:Old  $\frac{100}{100}$  New, Q:Old  $\frac{100}{100}$  New, R:Old  $\frac{100}{100}$  New, S:Old  $\frac{100}{100}$  New, W:Add, Z:Discontinued, F:Interchangeable by set, K:Q'ty Change  
 Copyright (C) YANMAR CO., LTD. All Rights Reserved.

Fig.5. SUCTION MANIFOLD & AIR CLEANER

(A)=3TNC78L-RTBZ  
(B)=  
(C)=

(D)=  
(E)=  
(F)=

019810-12100  
029100-77501  
019832-53010



No.	Lev.	Parts No.	Description	Q'ty						I	R
				(A)	(B)	(C)	(D)	(E)	(F)		
1	1	119810-12100	MANIFOLD, AIR INTAKE	1							
2	1	119810-12110	GASKET, MANIFOLD	1							
2-1	1	119810-12111	GASKET, MANIFOLD	1							N
(A=E03851)											
3	1	26106-080252	BOLT, M8X 25 PLATED	4							
4	1	129120-77501	HEATER	1							
5	1	129150-77510	GASKET	1							
5-1	1	129150-77511	GASKET	1							N
(A=E03851)											
6	1	26106-080352	BOLT, M8X 35 PLATED	4							
7	1	119832-12500	CLEANER ASSY, AIR	1							
8	2	119832-12650	CASE ASSY	1							
9	2	119831-12660	PAN ASSY, DUST	1							
10	2	121454-12700	RETAINER, ELEMENT	1							
11	2	121454-12510	ELEMENT	1							
12	2	124064-12680	BOLT	1							
13	2	124064-12690	WASHER	1							
14	2	121262-12800	INDICATOR	1							
15	1	119831-12550	PIPE, SUCTION	1							
16	1	119831-12560	SUPPORT, AIR CLEANER	1							
17	1	23000-060000	CLAMP, 60	2							

OCD10-M33901 3TNC78L-RTBZ

Fig.6. EXHAUST MANIFOLD & SILENCER

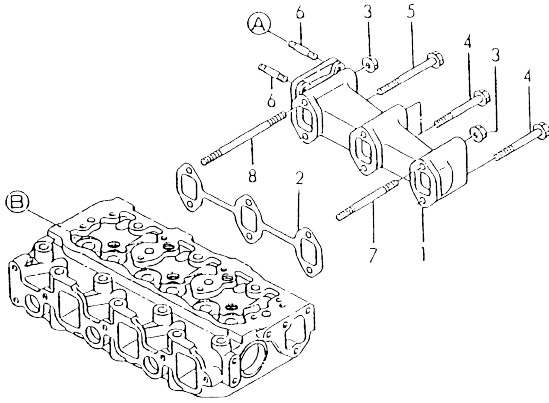
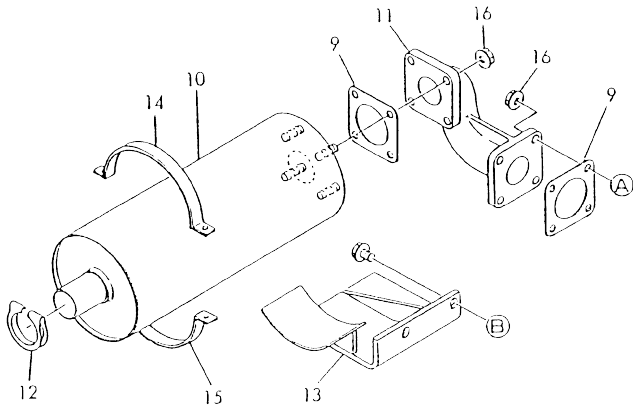
OCD10-M33901 Fig.6

(A)=3TNC78L-RTBZ  
(B)=  
(C)=

(D)=  
(E)=  
(F)=

019531-131001X  
019532-53010

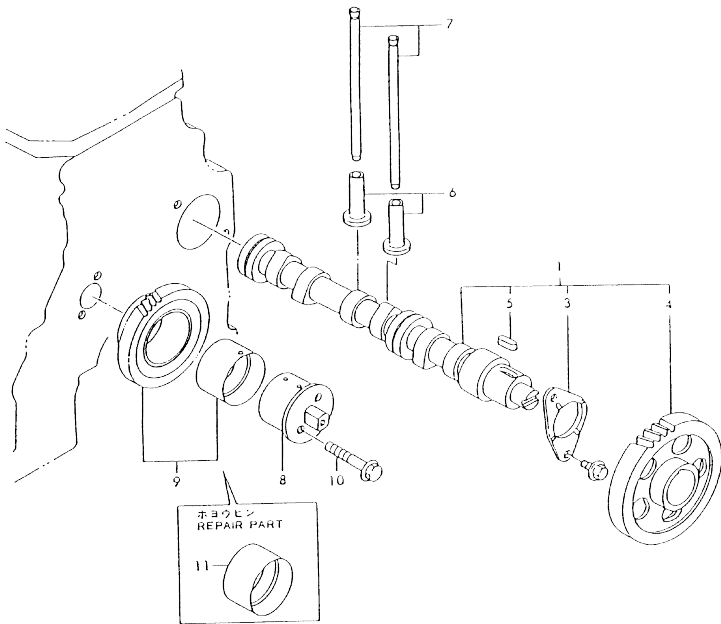
No.	Lev.	Parts No.	Description	Q'ty						I	R
				(A)	(B)	(C)	(D)	(E)	(F)		
1	1	119840-13100	MANIFOLD, EXHAUST	1							
2	1	119810-13110	GASKET	1							
3	1	194990-22050	NUT, M8	2							
4	1	26106-080602	BOLT, M8X 60 PLATED	3							
5	1	26106-080802	BOLT, M8X 80 PLATED	1							
6	1	26216-080222	STUD, M8X 22	4							
7	1	26216-080602	STUD, M8X 60	1							
8	1	26216-080802	STUD, M8X 80	1							
9	1	124701-11910	GASKET, SILENCER	2							
9-1	1	124701-11911	GASKET, SILENCER	2							N
(A=E03851)											
10	1	119632-13500	SILENCER	1							
11	1	119831-13550	PIPE	1							
12	1	124664-13580	CLAMP	1							
13	1	119831-13650	STAY, SILENCER	1							
14	1	119888-13670	BAND, SILENCER	1							
15	1	119888-13680	BAND, SILENCER	1							
16	1	194990-22050	NUT, M8	8							



N:Old  $\frac{100}{100}$  New. Q:Old  $\frac{100}{100}$  New. R:Old  $\frac{100}{100}$  New. S:Old  $\frac{100}{100}$  New. W:Add. Z:Discontinued. F:Interchangeable by set. K:Q'ty Change  
Copyright (C) YANMAR CO., LTD. All Rights Reserved.

Fig.7. CAMSHAFT & DRIVE GEAR

D158E5-14110  
D25100-25101



(A)=3TNC78L-RTBZ  
(B)=  
(C)=

(D)=  
(E)=  
(F)=

No.	Lev.	Parts No.	Description	Q'ty						I	R
				(A)	(B)	(C)	(D)	(E)	(F)		
1	1	119810-14580	CAMSHAFT ASSY	1							W
		(A=EXXX)									
3	2	129150-02450	BEARING, THRUST	1							W
		(A=EXXX)									
4	2	129150-14101	GEAR, CAMSHAFT	1							
5	2	22512-070140	KEY, 7X 14	1							
6	1	129150-14200	TAPPET	6							
7	1	119810-14400	ROD, PUSH	6							
8	1	129100-25061	SHAFT, IDLE	1							
9	1	129150-25101	GEAR ASSY, IDLE	1							
10	1	26106-080452	BOLT, M8X 45 PLATED	2							
11	1	129150-25920	BUSH, IDLE GEAR	1							1

Remarks  
(1) REPAIR PART.

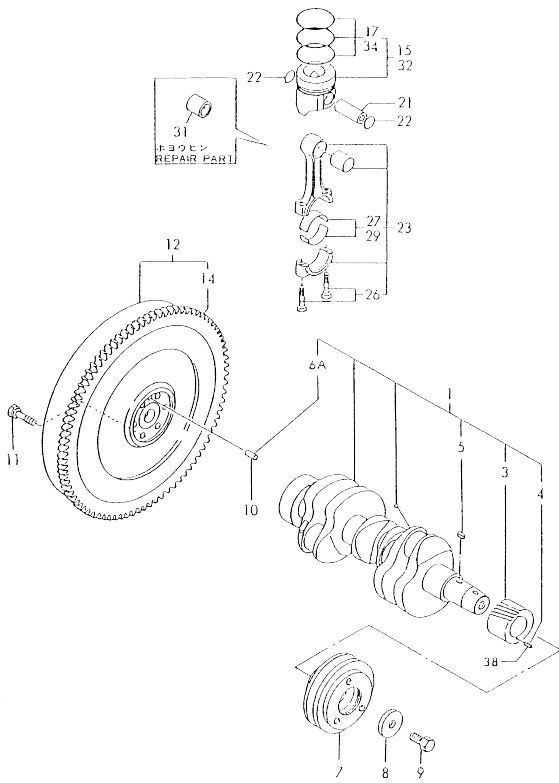
N:Old  $\frac{New}{Old}$  New, Q:Old  $\frac{New}{Old}$  New, R:Old  $\frac{New}{Old}$  New, S:Old  $\frac{New}{Old}$  New, W:Add, Z:Discontinued, F:Interchangeable by set, K:Qty Change  
Copyright (C) YANMAR CO., LTD. All Rights Reserved.

Fig.8. CRANKSHAFT & PISTON

(A)=3TNC78L-RTBZ  
(B)=  
(C)=

(D)=  
(E)=  
(F)=

D15811-21100  
D25500-21200  
D15810-21320  
D15811-21100  
D15865-23100



No.	Lev.	Parts No.	Description	Q'ty						I	R
				(A)	(B)	(C)	(D)	(E)	(F)		
1	1	719811-21700	CRANKSHAFT ASSY	1							
3	2	129150-21200	GEAR, CRANKSHAFT	1							
4	2	22351-040010	PIN, SPRING 4.0X10	1							Z
(A=E03851)											
5	2	22512-070140	KEY, 7X 14	1							
6A	2	129100-01580	PIN, M8X16	1							W
(A=E03851)											
7	1	171301-21650	V-PULLEY	1							
8	1	129795-21661	WASHER	1							
9	1	121850-21680	BOLT	1							
10	1	129100-01580	PIN, M8X16	1							Z
(A=E03851)											
11	1	121111-21501	BOLT, FLYWHEEL	6							
12	1	171325-21590	FLYWHEEL ASSY	1							
14	2	119865-21600	GEAR, RING	1							
15	1	119811-22080	PISTON ASSY	3							
17	2	729100-22500	RING SET, PISTON	3							
21	1	104200-22300	PIN, PISTON	3							
22	1	129792-22400	CIRCLIP, 23	6							
23	1	719810-23700	ROD ASSY, CONNECTING	3							
23-1	1	719810-23100	ROD ASSY, CONNECTING	3							N
(A=E03851)											
26	2	119810-23200	BOLT, CONNECTING ROD	6							
27	2	719810-23600	BEARING, CRANK PIN	3							
27-1	2	119810-23600	BEARING, CRANK PIN	3							N
(A=E03851)											
29	1	119810-23610	BEARING, 0.25 US	3							1
31	1	119810-23910	BEARING, PISTON PIN	3							2
32	1	719811-22900	PISTON ASSY, 0.25 OS	3							3
34	2	729555-22950	RING SET, 0.25 OS	3							3
38	1	22351-040010	PIN, SPRING 4.0X10	1							W
(A=E03851)											

Remarks  
(1) UNDER-SIZE(U.S=0.25)PART.  
(2) REPAIR PART.  
(3) OVER-SIZE(O.S=0.25)PART.

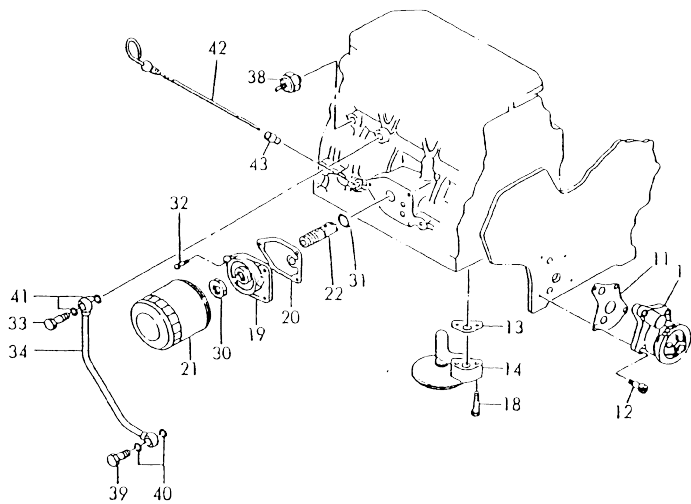
OCD10-M33901 3TNC78L-RTBZ  
 Fig.9. LUB. OIL PUMP

OCD10-M33901 Fig.9

(A)=3TNC78L-RTBZ  
 (B)=  
 (C)=

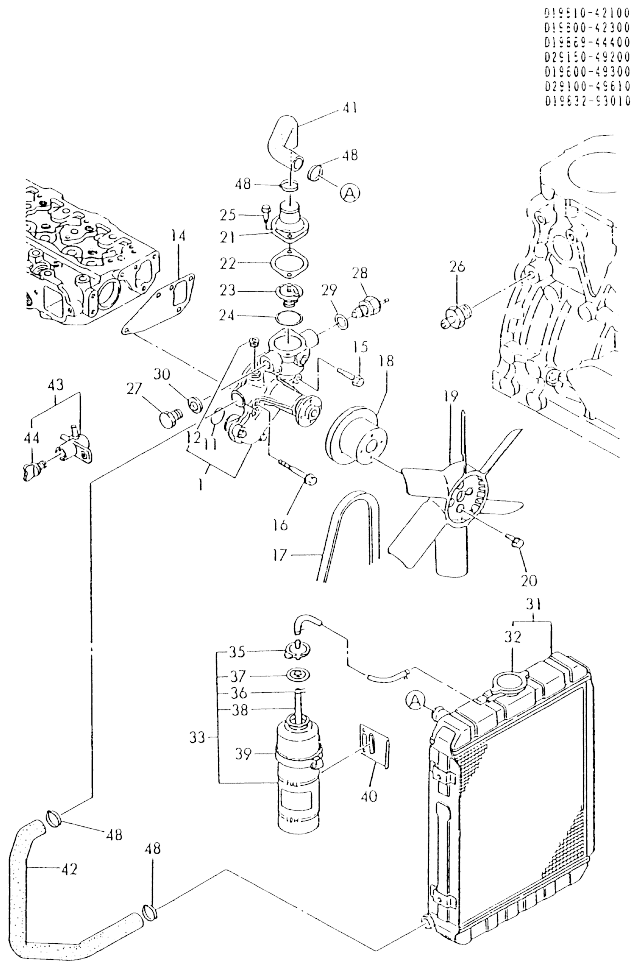
(D)=  
 (E)=  
 (F)=

019810-32100  
 019810-34100  
 019810-35100  
 029100-35200  
 019865-39110  
 019600-39100



No.	Lev.	Parts No.	Description	Q'ty						I	R
				(A)	(B)	(C)	(D)	(E)	(F)		
1	1	119810-32000	PUMP ASSY, OIL	1							
11	1	129150-32020	GASKET, PUMP	1							
12	1	26450-060252	BOLT, M6X 25	4							
13	1	129150-35040	GASKET	1							
13-1	1	129150-35041	GASKET	1							N
(A=E03851)											
14	1	119810-35400	PIPE ASSY, OIL INLET	1							
18	1	26116-080352	BOLT, M8X 35 PLATED	2							
18-1	1	26106-080352	BOLT, M8X 35 PLATED	2							N
(A=EXXX)											
19	1	129150-35101	BRACKET, STRAINER	1							
20	1	129150-35110	GASKET	1							
20-1	1	129150-35111	GASKET	1							N
(A=E03851)											
21	1	129150-35150	FILTER 90X80L	1							
22	1	119865-35300	VALVE ASSY, CONTROL	1							
30	1	129150-35350	NUT	1							
31	1	24311-000160	O-RING, 1AP16.0	1							
32	1	26106-080202	BOLT, M8X 20 PLATED	3							
33	1	124160-39140	BOLT, PIPE JOINT M10	1							
34	1	119810-39200	PIPE ASSY, OIL	1							
38	1	124160-39450	SWITCH, 0.5KG	1							
39	1	124560-59820	BOLT, PIPE JOINT M8	1							
40	1	23414-080000	GASKET, 8X1.0	2							
40-1	1	43400-500410	SEAL WASHER 8	2							N
(A=E03851)											
41	1	23414-100000	GASKET, 10X1.0	2							
42	1	119600-34800	DIPSTICK, OIL	1							
43	1	121520-34810	GUIDE, DIPSTICK	1							

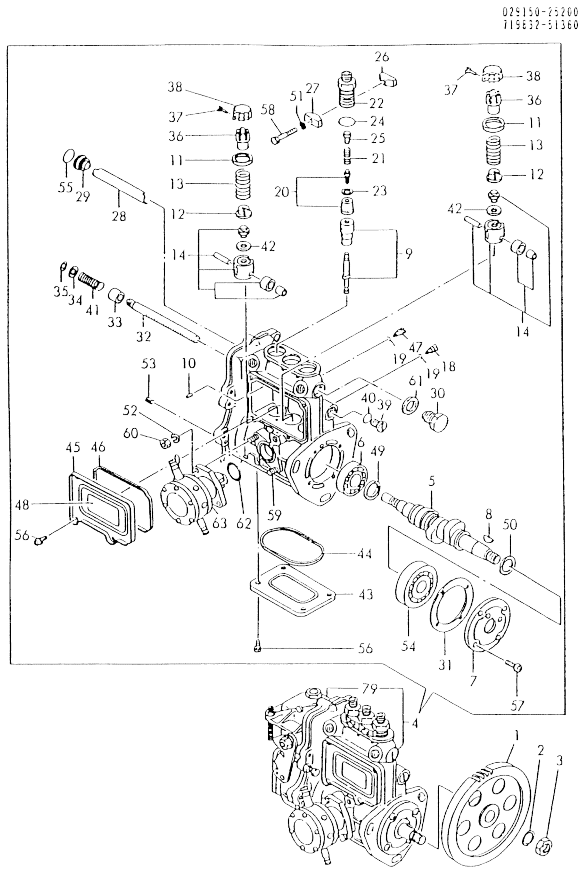
Fig.10. COOLING WATER SYSTEM



No.	Lev.	Parts No.	Description	Q'ty						I	R
				(A)	(B)	(C)	(D)	(E)	(F)		
1	1	119810-42000	PUMP ASSY, WATER	1							
1-1	1	119810-42001	PUMP ASSY, WATER	1							N
(A=E03851)											
11	2	129150-42320	O-RING	1							
12	2	23871-030000	PLUG, R03	2							
14	1	129150-42020	GASKET, WATER PUMP	1							
15	1	26106-080352	BOLT, M8X 35 PLATED	1							
16	1	26106-080552	BOLT, M8X 55 PLATED	2							
16-1	1	26106-080552	BOLT, M8X 55 PLATED	3							K
(A=E03851)											
17	1	121236-42290	V-BELT, A39	1							
18	1	129403-42380	V-PULLEY, D=110	1							
19	1	119620-44741	FAN, COOLING D310	1							
20	1	26014-060162	BOLT, M6X 16	4							
21	1	129350-49530	COVER, THERMOSTAT	1							
22	1	129795-49550	GASKET	1							
22-1	1	129795-49551	GASKET	1							N
(A=E03851)											
23	1	129155-49800	THERMOSTAT, 71	1							
24	1	129150-49810	GASKET, THERMOSTAT	1							
24-1	1	129150-49811	GASKET, THERMOSTAT	1							N
(A=E03851)											
25	1	26106-080202	BOLT, M8X 20 PLATED	2							
26	1	121550-49111	JOINT, PT1/4	1							
27	1	121450-42450	PLUG, M16	1							
28	1	121250-44901	SWITCH, 110	1							
29	1	124465-44950	GASKET, 16	1							
30	1	124465-44950	GASKET, 16	1							
31	1	119831-44500	RADIATOR	1							
32	2	124450-44590	CAP, RADIATOR	1							
33	1	171064-44510	TANK ASSY, SUB	1							
35	2	121450-44531	CAP	1							
36	2	124450-44560	RETAINER	1							
37	2	121470-44581	GASKET	1							
38	2	23065-070225	PIPE 7X 225	1							
39	1	124450-44550	BAND	1							
40	1	121256-44600	BRACKET, SUB TANK	1							
41	1	119280-49010	PIPE, WATER	1							
42	1	119632-49020	PIPE, WATER	1							
43	1	129150-49100	COCK ASSY, 3-WAY	1							
44	2	129150-49080	COCK, DRAIN	1							
48	1	23010-038000	CLAMP, 38	4							

N:Old  $\frac{New}{Old}$  New, Q:Old  $\frac{New}{Old}$  New, R:Old  $\frac{New}{Old}$  New, S:Old  $\frac{New}{Old}$  New, W:Add, Z:Discontinued, F:Interchangeable by set, K:Q'ty Change  
 Copyright (C) YANMAR CO., LTD. All Rights Reserved.

Fig.11. FUEL INJECTION PUMP



029150-73200  
715027-51360

(A)=3TNC78L-RTBZ  
(B)=  
(C)=

(D)=  
(E)=  
(F)=

No.	Lev.	Parts No.	Description	Q'ty						I	R
				(A)	(B)	(C)	(D)	(E)	(F)		
1	1	129150-25900	GEAR, PUMP	1							
2	1	22217-120000	WASHER, SPRING 12	1							
3	1	26716-120002	NUT, M12	1							
4	1	719832-51360	PUMP ASSY, INJECTION	1							1
5	2	119810-51040	CAMSHAFT	1							
6	2	129155-51050	BEARING, 17BM001D	1							
7	2	129155-51060	SUPPORT, CAMSHAFT	1							
8	2	122710-51090	KEY	1							
9	2	129400-51100	PLUNGER ASSY	3							
10	2	129155-51140	PIN	3							
11	2	174307-51170	RETAINER, SPRING A	3							
12	2	129155-51180	RETAINER, SPRING	3							
13	2	124950-51190	SPRING, PLUNGER	3							
14	2	129155-51200	TAPPET ASSY	3							
18	2	129155-51270	STOPPER, TAPPET	3							
19	2	129155-51280	O-RING, S6	3							
20	2	128170-51300	VALVE ASSY, DELIVERY	3							
21	2	129155-51320	SPRING, DELIVERY	3							
22	2	129155-51340	RETAINER	3							
23	2	124550-51350	GASKET, DELIVERY	3							
24	2	124550-51370	O-RING	3							
25	2	129155-51370	STOPPER, VALVE	3							
26	2	129155-51380	STOPPER	2							
27	2	129155-51390	STOPPER	2							
28	2	129155-51400	DEFLECTOR	1							
29	2	129155-51410	BOLT	1							
30	2	129155-51420	PLUG, M16	1							
31	2	129155-51450	SHIM SET, ADJUSTING	1							
32	2	129155-51500	RACK, CONTROL	1							
33	2	129155-51521	BUSH, RACK	1							
34	2	129155-51530	SPACER	1							
35	2	129155-51540	CIRCLIP	1							
36	2	129155-51550	PINION, CONTROL	3							
37	2	122117-51560	SCREW	3							
38	2	174307-51560	PINION	3							
39	2	129155-51570	PLUG, M12	1							
40	2	129155-51580	O-RING	1							
41	2	129155-51591	SPRING, RACK	1							
42	2	129155-51600	SHIM SET, ADJUSTING	3							
43	2	129155-51700	COVER	1							
44	2	129155-51710	GASKET	1							
45	2	129155-51750	COVER	1							
46	2	129155-51760	GASKET	1							
47	2	129155-51790	STOOPER, RACK	1							
48	2	129156-51910	LABEL, CAUTION	1							
49	2	129155-51930	SPACER, T=3.25	1							
50	2	129155-51940	SPACER, T=1.5	1							
51	2	22217-050000	WASHER, SPRING 5	2							Z
(A=E00X)											
52	2	22217-060000	WASHER, SPRING 6	2							
53	2	22351-050010	PIN, SPRING 5.0X10	2							

Remarks  
(1) GOVERNOR(FIG.14) IS INCORPORATED  
IN THIS FUEL INJECTION PUMP ASSY  
(REF.NO.4).

N:Old  $\frac{100}{100}$  New, Q:Old  $\frac{100}{100}$  New, R:Old  $\frac{100}{100}$  New, S:Old  $\frac{100}{100}$  New, W:Add, Z:Discontinued, F:Interchangeable by set, K:Q'ty Change  
++ CONTINUE ++  
Copyright (C) YANMAR CO., LTD. All Rights Reserved.

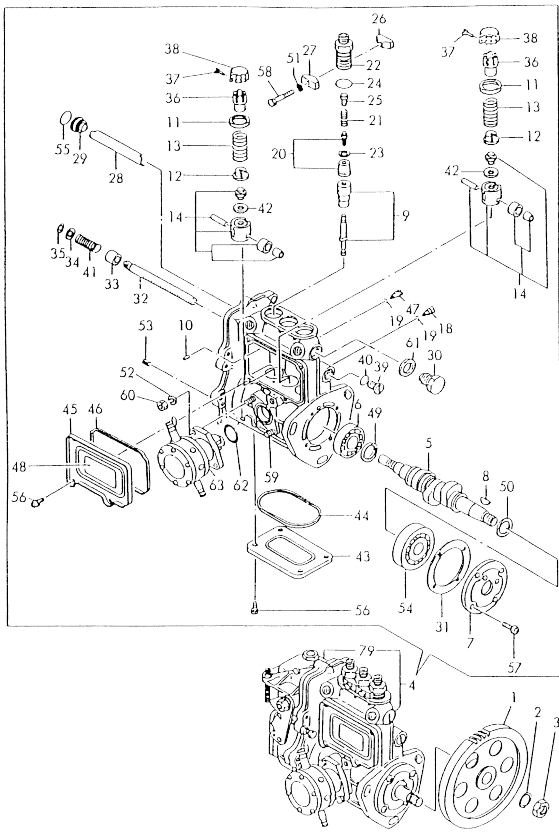


Fig.11. FUEL INJECTION PUMP

(A)=3TNC78L-RTBZ  
(B)=  
(C)=

(D)=  
(E)=  
(F)=

029150-73200  
715037-51360



No.	Lev.	Parts No.	Description	Q'ty						I	R
				(A)	(B)	(C)	(D)	(E)	(F)		
54	2	24101-063034	BEARING, BALL 6303	1							
55	2	24341-000160	O-RING, 1AS16.0	1							
56	2	26022-050102	SCREW, M5X10	8							
57	2	26022-060162	SCREW, M6X16	4							
58	2	26116-050302	BOLT, M5X 30 PLATED	2							
59	2	129155-51020	STUD	2							
60	2	26716-060002	NUT, M6	2							
61	2	43400-500490	SEAL WASHER 16	1							
62	2	129155-52050	GASKET	1							
63	2	129100-52100	PUMP ASSY, FUEL FEED	1							

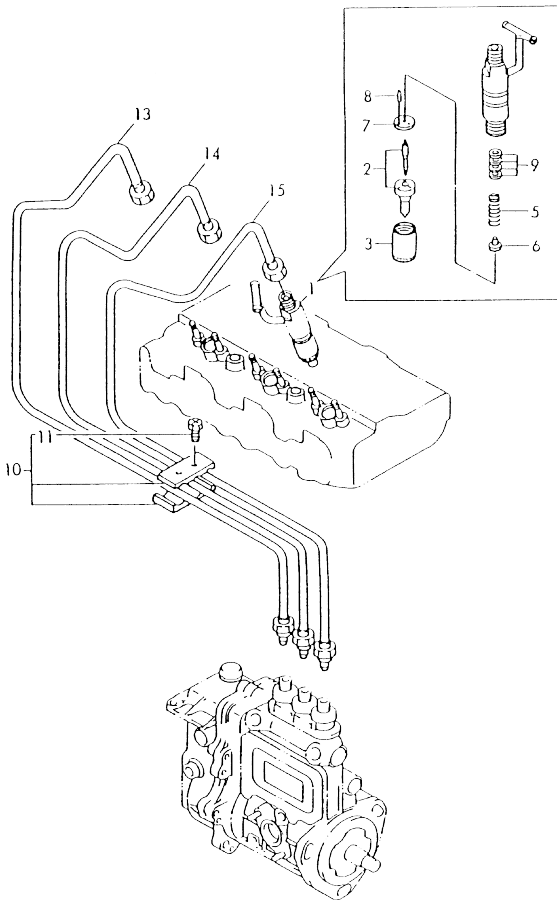
Remarks  
(1) GOVERNOR(FIG.14) IS INCORPORATED  
IN THIS FUEL INJECTION PUMP ASSY  
(REF.NO.4).

Fig.12. FUEL INJECTION VALVE

(A)=3TNC78L-RTBZ  
(B)=  
(C)=

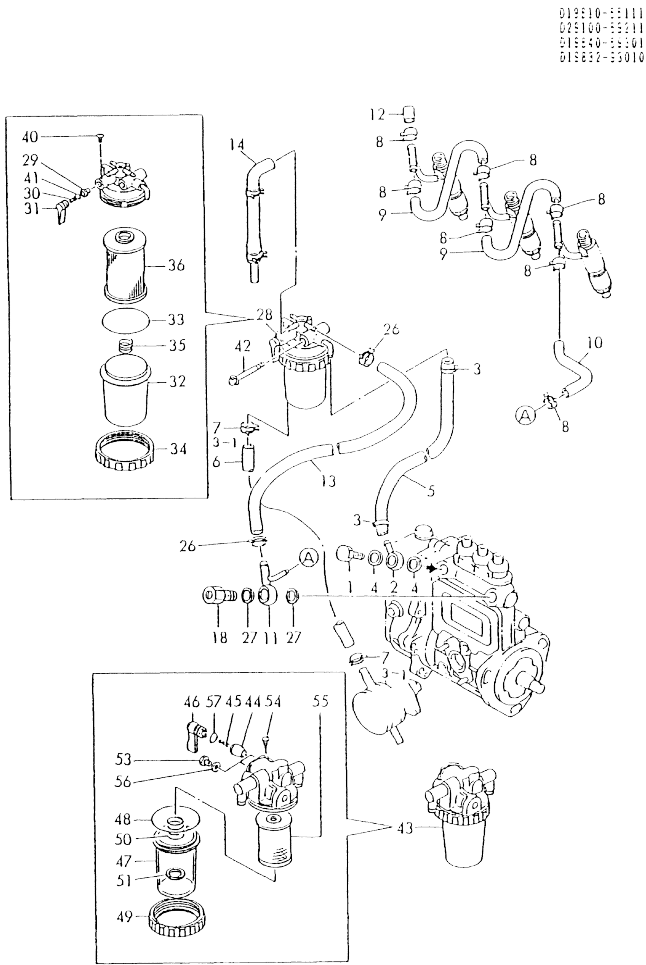
(D)=  
(E)=  
(F)=

022500-13200  
015510-12100



No.	Lev.	Parts No.	Description	Q'ty					
				(A)	(B)	(C)	(D)	(E)	(F)
1	1	729500-53200	VALVE ASSY, INJECTION	3					
2	2	129500-53050	VALVE ASSY, INJECTION	3					
3	2	114250-53080	NUT, NOZZLE D16.95	3					
5	2	114250-53120	SPRING, NOZZLE	3					
6	2	114250-53130	SEAT, SPRING	3					
7	2	114250-53140	PLATE	3					
8	2	114250-53210	PIN	6					
9	2	114250-53400	SHIM SET	3					
10	1	129150-59120	RETAINER, PIPE	1					
11	2	129150-59130	BOLT, M4X12	2					
13	1	119810-59810	PIPE ASSY, INJECTION	1					
14	1	119810-59820	PIPE ASSY, INJECTION	1					
15	1	119810-59830	PIPE ASSY, INJECTION	1					

Fig.13. FUEL OIL STRAINER & PIPE



No.	Lev.	Parts No.	Description	Q'ty						I	R
				(A)	(B)	(C)	(D)	(E)	(F)		
1	1	103854-39140 (A=EXXX)	BOLT, PIPE JOINT	1							W
2	1	101304-59020	JOINT, PIPE 12	1							
3	1	124766-59050	CLIP, HOSE 12	2							
3-1	1	124766-59050	CLIP, HOSE 12	4							K
4	1	104200-59170	GASKET, 12	2							
5	1	129555-59510	PIPE, D13/7.5X180	1							
6	1	129255-59580	PIPE, FUEL	1							
6-1	1	105025-59530	PIPE, FUEL D13X400	1							N
7	1	23000-013000 (A=E03851)	CLAMP, 13	2							Z
8	1	124066-59100	CLIP, HOSE 8	7							
9	1	121250-59550	PIPE, FUEL D8X120	2							
10	1	119840-59560	PIPE, FUEL RETURN	1							
11	1	119840-59570	JOINT	1							
12	1	129150-59580	CAP	1							
13	1	129255-59580	PIPE, FUEL	1							
14	1	119840-59601	BEND	1							
18	1	129100-59951	VALVE ASSY, CHECK	1							
26	1	23000-013000	CLAMP, 13	2							
26-1	1	124766-59050 (A=1991.06)	CLIP, HOSE 12	2							R
27	1	23414-120000	GASKET, 12X1.0	2							
28	1	119810-55621	FILTER ASSY, FUEL	1							
29	2	104200-55321	VALVE, TAPER	1							
30	2	104200-55330	SPRING, VALVE	1							
31	2	119810-55340	LEVER	1							
32	2	121254-55510	COVER	1							
33	2	102103-55520	O-RING	1							
34	2	110250-55610	RING, RETAINING	1							
35	2	121250-55620	SPRING	1							
36	2	119810-55650	ELEMENT	1							
40	2	104200-55750	SCREW, M4	1							
41	2	24311-240100	O-RING, 1AP10A	1							
42	1	26014-080702	BOLT, M8X 70	1							
43	1	129335-55700	SEPARATOR ASSY, WATER	1							
44	2	104200-55321	VALVE, TAPER	1							
45	2	104200-55330	SPRING, VALVE	1							
46	2	104200-55341	HANDLE	1							
47	2	124064-55510	COVER	1							
48	2	102103-55520	O-RING	1							
49	2	110250-55610	RING, RETAINING	1							
50	2	121257-55720	SPRING	1							
51	2	121257-55731	FLOAT	1							
53	2	101720-55750	PLUG, 6	2							
54	2	104200-55750	SCREW, M4	1							
55	2	171081-55910	SCREEN	1							
56	2	23418-060000	GASKET, 6X1.0	2							
57	2	24311-240100	O-RING, 1AP10A	1							

N:Old  $\frac{New}{Old}$  New, Q:Old  $\frac{New}{Old}$  New, R:Old  $\frac{New}{Old}$  New, S:Old  $\frac{New}{Old}$  New, W:Add, Z:Discontinued, F:Interchangeable by set, K:Q'ty Change  
Copyright (C) YANMAR CO., LTD. All Rights Reserved.

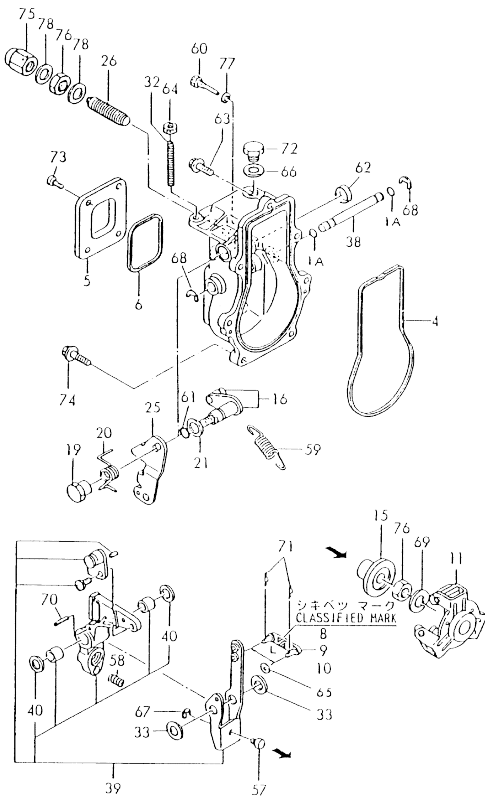
OCD10-M33901 3TNC78L-RTBZ  
 Fig.14. GOVERNOR

OCD10-M33901 Fig.14

(A)=3TNC78L-RTBZ  
 (B)=  
 (C)=

(D)=  
 (E)=  
 (F)=

115833-11360

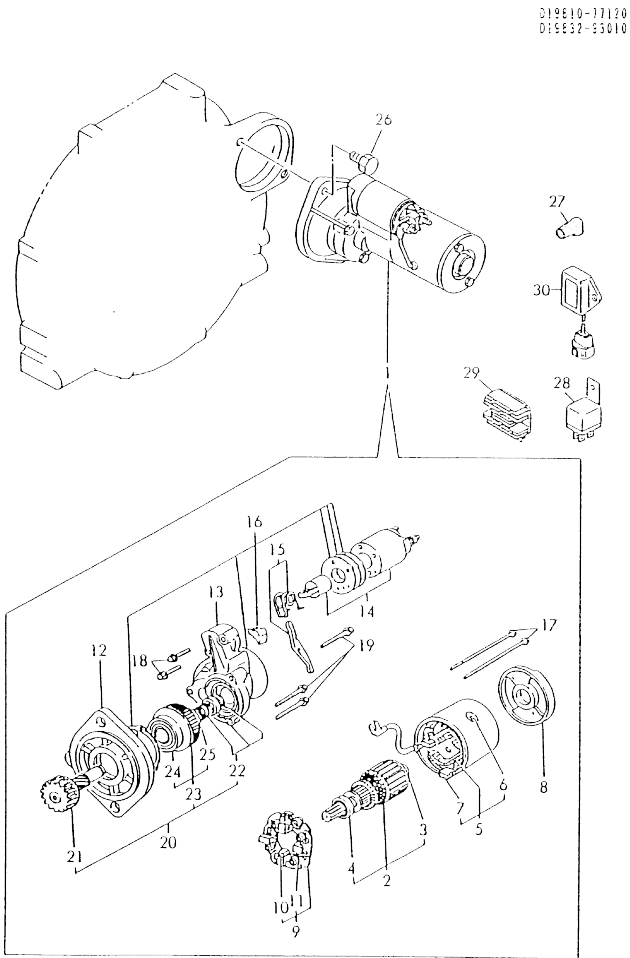


No.	Lev.	Parts No.	Description	Q'ty						I	R
				(A)	(B)	(C)	(D)	(E)	(F)		
1A	1	129155-51280	O-RING, S6	2							
4	1	129155-61050	GASKET	1							
5	1	129155-61060	COVER, GOVERNOR CASE	1							
6	1	129155-61070	GASKET	1							
8	1	129155-61120	LINK, L=30 MARK 0	1							1
9	1	129155-61130	LINK, L=31 MARK 1	1							1
10	1	129155-61140	LINK, L=30.5 MARK 05	1							1
11	1	129155-61201	WEIGHT ASSY, GOVERNOR	1							
15	1	129155-61341	SLEEVE	1							
16	1	129100-61400	SHAFT ASSY	1							
19	1	129255-61410	NUT, LOCK	1							
20	1	129255-61420	SPRING, RETURN	1							
21	1	129155-61430	SPACER	1							
25	1	129100-61440	LEVER, CONTROL	1							
26	1	129100-61450	LIMITER ASSY, FUEL	1							
32	1	129155-61450	BOLT, LIMITER	1							
33	1	129155-61480	SPACER ASSY	2							
38	1	129155-61490	SHAFT	1							
39	1	129500-61500	LEVER ASSY, GOVERNOR	1							
40	2	174307-51700	SHIM SET	2							
57	1	129155-61540	SHIFTER	1							
58	1	129100-61650	SPRING, CONTROLLER	1							
59	1	171353-61710	SPRING, GOVERNOR	1							
60	1	129155-61810	PIN	1							
61	1	129155-61830	O-RING, S10	1							
62	1	129100-61851	PLUG	1							
63	1	129155-61950	BOLT	1							
64	1	124550-66370	NUT, M6	1							
65	1	22117-040000	WASHER, 4	1							
66	1	22190-100000	WASHER, SEAL 10	1							
66-1	1	43400-500430	SEAL WASHER 10	1							N
		(A=E03851)									
67	1	22272-000040	RING, E- 4	1							
68	1	22272-000060	RING, E- 6	2							
69	1	22287-120000	WASHER, 12	1							
70	1	22351-030016	PIN, SPRING 3.0X16	1							
71	1	22360-040000	PIN, SNAP 4	2							
71-1	1	22372-040000	PIN, SNAP 4	2							R
		(A=E03851)									
72	1	23887-100002	PLUG, 10	1							
73	1	26022-050102	SCREW, M5X10	4							
74	1	26106-060202	BOLT, M6X 20 PLATED	6							
75	1	26687-120002	NUT, CAP M12	1							
76	1	26776-120002	NUT, LOCK M12	2							
77	1	43400-500390	SEAL WASHER 6	1							
78	1	43400-500450	SEAL WASHER 12	2							

Remarks  
 (1) SELECTIVE PARTS : CERTAIN THE CLASSIFICATION MARK, THEN PLACE YOUR ORDER. (ILLUSTRATION)

N:Old  $\frac{100}{100}$  New, Q:Old  $\frac{100}{100}$  New, R:Old  $\frac{100}{100}$  New, S:Old  $\frac{100}{100}$  New, W:Add, Z:Discontinued, F:Interchangeable by set, K:Q'ty Change  
 Copyright (C) YANMAR CO., LTD. All Rights Reserved.

Fig.15. STARTING MOTOR



(A)=3TNC78L-RTBZ  
(B)=  
(C)=

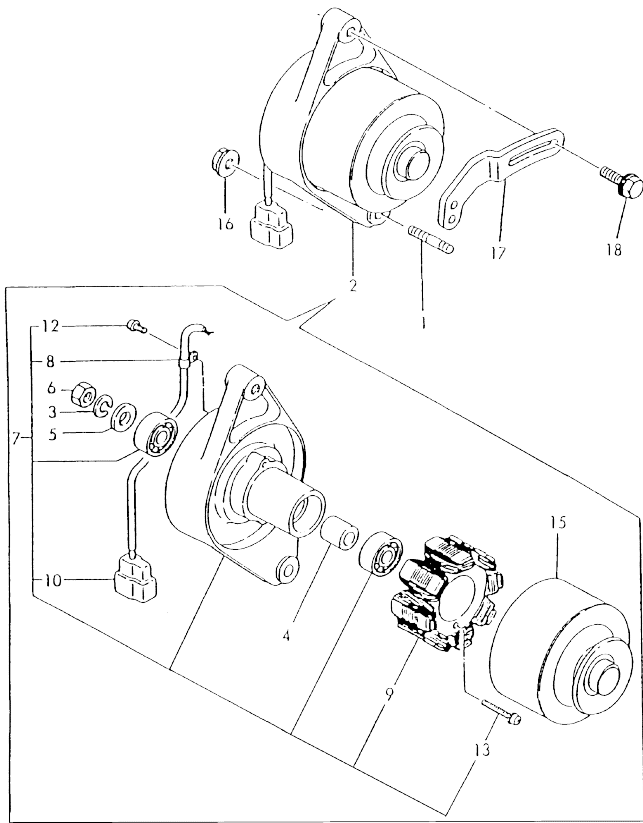
(D)=  
(E)=  
(F)=

No.	Lev.	Parts No.	Description	Q'ty						I	R
				(A)	(B)	(C)	(D)	(E)	(F)		
1	1	124976-77011	STARTER, S114-349A	1							
2	2	X211451007	ARMATURE ASSY	1							
3	3	X211415502	BEARING, BALL	1							
4	3	X211425502	BEARING, BALL	1							
5	2	X211472106	COIL ASSY, FIELD	1							
6	3	X21148215	SCREW, POLE CORE	4							
7	3	X21143315	BRUSH (+)	2							
8	2	X211483003	COVER	1							
9	2	X211429007	HOLDER ASSY, BRUSH	1							
10	3	X21148314	SPRING, BRUSH	4							
11	3	X211459002	BRUSH (-)	2							
12	2	X211476504	HOUSING ASSY, GEAR	1							
13	2	X211414501	HOUSING, CENTER	1							
14	2	X211447007	SWITCH, MAGNETIC	1							
15	2	X21146012	LEVER, SHIFT	1							
16	2	X211448004	COVER KIT	1							
17	2	X211468005	BOLT, THROUGH	2							
18	2	X21145866	BOLT	2							
19	2	X21142867	BOLT	3							
20	2	X211415505	CLUTCH ASSY	1							
21	3	X211495009	SHAFT	1							
22	3	X211429006	STOPPER SET	1							
23	3	X211425505	CLUTCH ASSY	1							
24	4	X211435502	BALL BEARING	1							
25	4	X211445502	BALL BEARING	1							
26	1	26116-120252	BOLT, M12X 25 PLATED	2							
27	1	124550-77030	COVER, TERMINAL	1							
28	1	119247-77100	RELAY, SAFETY	1							
29	1	119640-77711	LIMITER, CURRENT	1							
30	1	121522-77721	INDICATOR	1							

OCD10-M33901 3TNC78L-RTBZ  
 Fig.16. GENERATOR

OCD10-M33901 Fig.16

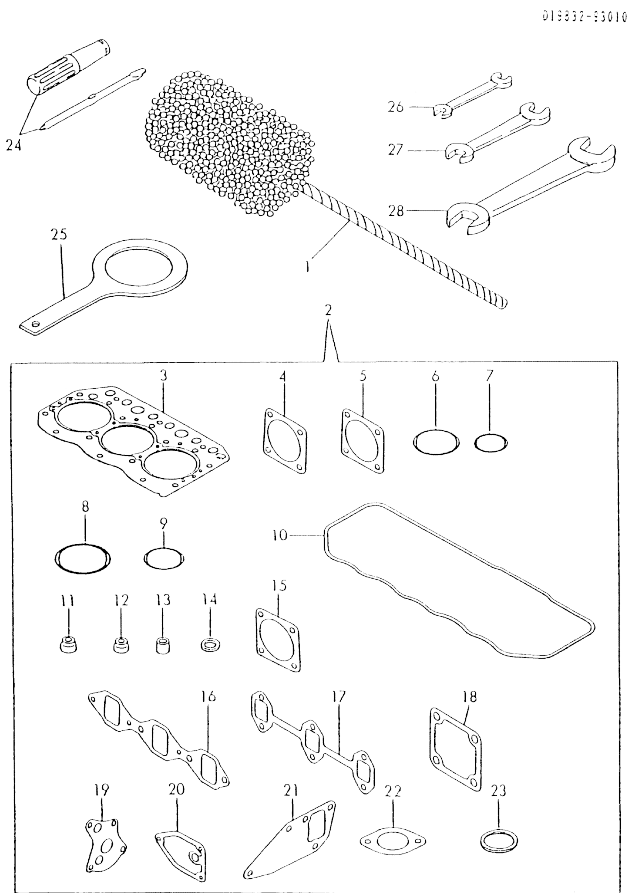
129150-77200  
 119810-77330



No.	Lev.	Parts No.	Description	Q'ty					
				(A)	(B)	(C)	(D)	(E)	(F)
1	1	121450-01570	BOLT, STUD	1					
2	1	129150-77202	GENERATOR	1					
3	2	XM219230000	WASHER, SPRING	1					
4	2	XM329830000	COLLAR	1					
5	2	XM860250000	WASHER, 10	1					
6	2	XM863720000	NUT	1					
7	2	129150-77210	PLATE ASSY	1					
8	3	XM069000000	CLAMP	1					
9	3	XM081780000	STATOR	1					
10	3	XM178780000	COUPLER	1					
12	3	XYSPS400800	SCREW	1					
13	3	XYSPS402400	SCREW	2					
15	2	129150-77230	FLYWHEEL ASSY	1					
16	1	26366-100002	NUT, M10	1					
17	1	119810-77330	ADJUSTER	1					
18	1	26014-080252	BOLT, M8X 25	1					

N:Old  $\frac{100}{100}$  New, Q:Old  $\frac{100}{100}$  New, R:Old  $\frac{100}{100}$  New, S:Old  $\frac{100}{100}$  New, W:Add, Z:Discontinued, F:Interchangeable by set, K:Q'ty Change  
 Copyright (C) YANMAR CO., LTD. All Rights Reserved.

Fig.17. TOOLS & GASKET SET



013332-33010

No.	Lev.	Parts No.	Description	Q'ty						I	R	
				(A)	(B)	(C)	(D)	(E)	(F)			
1	1	129400-92410	FLEX HORN	1							1	
2	1	719843-92600	GASKET SET	1							1	
2-1	1	719843-92601	GASKET SET	1							N	1
(A=E03851)												
3	2	119811-01330	GASKET, HEAD T=1.4	1								
4	2	124240-01882	GASKET	3								
4-1	2	124240-01883	GASKET	1							N	
(A=E03851)												
5	2	129150-01880	GASKET	1								
6	2	121850-51960	O-RING	1								
7	2	24311-000320	O-RING, 1AP32.0	1								
8	2	24341-000500	O-RING, 1AS50.0	1								
9	2	24311-000320	O-RING, 1AP32.0	1								
10	2	119865-11310	GASKET, BONNET	1								
11	2	124160-11340	SEAL, VALVE STEM	3								
12	2	124950-11340	SEAL, VALVE STEM	3								
13	2	119625-11870	PROTECTOR, NOZZLE	3								
14	2	119625-11880	SEAT, NOZZLE	3								
15	2	124701-11910	GASKET, SILENCER	1								
15-1	2	124701-11911	GASKET, SILENCER	2							N	
(A=E03851)												
16	2	119810-12110	GASKET, MANIFOLD	1								
16-1	2	119810-12111	GASKET, MANIFOLD	1							N	
(A=E03851)												
17	2	119810-13110	GASKET	1								
18	2	129150-77510	GASKET	1								
18-1	2	129150-77511	GASKET	1							N	
(A=E03851)												
19	2	129150-32020	GASKET, PUMP	1								
20	2	129150-35110	GASKET	1								
20-1	2	129150-35111	GASKET	1							N	
(A=E03851)												
21	2	129150-42020	GASKET, WATER PUMP	1								
22	2	129795-49550	GASKET	1								
22-1	2	129795-49551	GASKET	1							N	
(A=E03851)												
23	2	129150-49810	GASKET, THERMOSTAT	1								
23-1	2	129150-49811	GASKET, THERMOSTAT	1							N	
(A=E03851)												
24	1	104200-92350	DRIVER, SCREW	1								
25	1	171301-92750	WRENCH, L.O. FILTER	1								
26	1	28110-100120	SPANNER, 10X12	1								
27	1	28110-140170	SPANNER, 14X17	1								
28	1	28110-190220	SPANNER, 19X22	1								

Remarks  
(1) OPTIONAL PART.

N:Old  $\frac{100}{100}$  New, Q:Old  $\frac{100}{100}$  New, R:Old  $\frac{100}{100}$  New, S:Old  $\frac{100}{100}$  New, W:Add, Z:Discontinued, F:Interchangeable by set, K:Q'ty Change  
Copyright (C) YANMAR CO., LTD. All Rights Reserved.

## Parts No. Index

Parts No.	Fig. No.	Ref. No.	Parts No.	Fig. No.	Ref. No.	Parts No.	Fig. No.	Ref. No.	Parts No.	Fig. No.	Ref. No.
101158-11190	4	11	119810-11120	4	9	119888-13670	6	14	124465-44950	10	29
101304-59020	13	2	119810-11240	4	17	119888-13680	6	15			30
101720-55750	13	53	119810-11350	4	35	121023-01550	2	22	124550-51350	11	23
102103-55520	13	33	119810-12100	5	1	121111-21501	8	11	124550-51370	11	24
		48	119810-12110	5	2	121236-42290	10	17	124550-59820	9	39
103854-39140	13	1		17	16	121250-44901	10	28	124550-66370	14	64
104200-22300	8	21	119810-12111	5	2 -1	121250-55620	13	35	124550-77030	15	27
104200-55321	13	29		17	16 -1	121250-59550	13	9	124664-13580	6	12
		44	119810-13110	6	2	121254-55510	13	32	124701-11910	6	9
104200-55330	13	30		17	17	121256-44600	10	40		17	15
		45	119810-14400	7	7	121257-55720	13	50	124701-11911	6	9 -1
104200-55341	13	46	119810-14580	7	1	121257-55731	13	51		17	15 -1
104200-55750	13	40	119810-23200	8	26	121262-12800	5	14	124736-07900	4	32
		54	119810-23600	8	27 -1	121450-01560	2	4	124766-59050	13	3
104200-59170	13	4	119810-23610	8	29	121450-01570	16	1			3 -1
104200-92350	17	24	119810-23910	8	31	121450-42450	10	27			26 -1
104211-11180	4	10	119810-32000	9	1	121450-44531	10	35	124950-11340	4	12
104211-11370	4	14	119810-35400	9	14	121454-12510	5	11		17	12
105025-59530	13	6 -1	119810-39200	9	34	121454-12700	5	10	124950-51190	11	13
110250-55610	13	34	119810-42000	10	1	121470-44581	10	37	124976-77011	15	1
		49	119810-42001	10	1 -1	121520-34810	9	43	128170-51300	11	20
114250-53080	12	3	119810-51040	11	5	121522-77721	15	30	129100-01580	3	1
114250-53120	12	5	119810-55340	13	31	121550-49111	10	26			13
114250-53130	12	6	119810-55621	13	28	121850-11860	4	2		8	6 A
114250-53140	12	7	119810-55650	13	36	121850-21680	8	9			10
114250-53210	12	8	119810-59810	12	13	121850-51960	2	9	129100-25061	7	8
114250-53400	12	9	119810-59820	12	14		17	6	129100-52100	11	63
119247-77100	15	28	119810-59830	12	15	122117-51560	11	37	129100-59951	13	18
119260-07900	4	48	119810-77330	16	17	122710-51090	11	8	129100-61400	14	16
119280-49010	10	41	119811-01330	1	15	124060-11800	4	34	129100-61440	14	25
119600-34800	9	42		17	3	124064-12680	5	12	129100-61450	14	26
119620-01750	3	3	119811-22080	8	15	124064-12690	5	13	129100-61650	14	58
119620-02020	1	9	119831-12550	5	15	124064-55510	13	47	129100-61851	14	62
119620-44741	10	19	119831-12560	5	16	124066-59100	13	8	129120-77501	5	4
119625-11870	4	26	119831-12660	5	9	124160-01751	2	5	129150-01880	17	5
		17	119831-13550	6	11		4	41	129150-02450	1	13
119625-11880	4	27	119831-13650	6	13	124160-01910	1	3		7	3
		17	119831-44500	10	31	124160-11340	4	13	129150-03020	4	36
119625-11900	4	28	119832-12500	5	7		17	11	129150-03070	4	37
119632-13500	6	10	119832-12650	5	8	124160-11360	4	45	129150-03080	4	38
119632-49020	10	42	119840-13100	6	1	124160-39140	9	33	129150-03090	4	47
119640-77711	15	29	119840-59560	13	10	124160-39450	9	38	129150-03100	2	25
119810-01200	1	16	119840-59570	13	11	124240-01871	2	6		4	49
119810-01730	3	10	119840-59601	13	14	124240-01882	2	7	129150-11230	4	23
119810-01780	3	15	119860-01640	3	14		17	4	129150-11280	4	21
119810-01790	3	6 -1	119865-11200	4	16	124240-01883	2	7 -1	129150-11750	4	24
119810-02870	1	17	119865-11310	4	44		17	4 -1	129150-14101	7	4
119810-02940	1	18		17	10	124450-44550	10	39	129150-14200	7	6
119810-11100	4	7	119865-21600	8	14	124450-44560	10	36	129150-21200	8	3
119810-11110	4	8	119865-35300	9	22	124450-44590	10	32	129150-25101	7	9



## Parts No. Index

Parts No.	Fig. No.	Ref. No.
129150-25900	11	1
129150-25920	7	11
129150-32020	9	11
	17	19
129150-35040	9	13
129150-35041	9	13 -1
129150-35101	9	19
129150-35110	9	20
	17	20
129150-35111	9	20 -1
	17	20 -1
129150-35150	9	21
129150-35350	9	30
129150-42020	10	14
	17	21
129150-42320	10	11
129150-49080	10	44
129150-49100	10	43
129150-49810	10	24
	17	23
129150-49811	10	24 -1
	17	23 -1
129150-59120	12	10
129150-59130	12	11
129150-59580	13	12
129150-77202	16	2
129150-77210	16	7
129150-77230	16	15
129150-77510	5	5
	17	18
129150-77511	5	5 -1
	17	18 -1
129155-11260	4	19
129155-11270	4	20
129155-49800	10	23
129155-51020	11	59
129155-51050	11	6
129155-51060	11	7
129155-51140	11	10
129155-51180	11	12
129155-51200	11	14
129155-51270	11	18
129155-51280	11	19
	14	1 A
129155-51320	11	21
129155-51340	11	22
129155-51370	11	25
129155-51380	11	26
129155-51390	11	27
129155-51400	11	28

Parts No.	Fig. No.	Ref. No.
129155-51410	11	29
129155-51420	11	30
129155-51450	11	31
129155-51500	11	32
129155-51521	11	33
129155-51530	11	34
129155-51540	11	35
129155-51550	11	36
129155-51570	11	39
129155-51580	11	40
129155-51591	11	41
129155-51600	11	42
129155-51700	11	43
129155-51710	11	44
129155-51750	11	45
129155-51760	11	46
129155-51790	11	47
129155-51930	11	49
129155-51940	11	50
129155-52050	11	62
129155-61050	14	4
129155-61060	14	5
129155-61070	14	6
129155-61120	14	8
129155-61130	14	9
129155-61140	14	10
129155-61201	14	11
129155-61341	14	15
129155-61430	14	21
129155-61450	14	32
129155-61480	14	33
129155-61490	14	38
129155-61540	14	57
129155-61810	14	60
129155-61830	14	61
129155-61950	14	63
129156-51910	11	48
129255-59580	13	6
		13
129255-61410	14	19
129255-61420	14	20
129335-55700	13	43
129350-49530	10	21
129400-01520	2	3
129400-01590	2	1
129400-51100	11	9
129400-92410	17	1
129403-42380	10	18
129500-53050	12	2
129500-61500	14	39

Parts No.	Fig. No.	Ref. No.
129555-59510	13	5
129792-22400	8	22
129795-01800	2	2
129795-01950	2	8
129795-02411	1	12
129795-21661	8	8
129795-49550	10	22
	17	22
129795-49551	10	22 -1
	17	22 -1
171051-01921	1	2
171064-44510	10	33
171081-55910	13	55
171301-01600	3	2
171301-01640	3	7
171301-21650	8	7
171301-92750	17	25
171325-21590	8	12
171353-61710	14	59
174307-51170	11	11
174307-51560	11	38
174307-51700	14	40
194990-22050	6	3
		16
22117-040000	14	65
22190-100000	14	66
22217-050000	11	51
22217-060000	11	52
22217-120000	11	2
22272-000040	14	67
22272-000060	14	68
22287-120000	14	69
22351-030016	14	70
22351-040010	8	4
		38
22351-050010	11	53
22351-060012	4	15
22360-040000	14	71
22372-040000	14	71 -1
22512-070140	7	5
	8	5
23000-013000	13	7
		26
23000-060000	5	17
23010-038000	10	48
23065-070225	10	38
23414-080000	9	40
23414-100000	9	41
23414-120000	13	27
23418-060000	13	56

Parts No.	Fig. No.	Ref. No.
23871-010000	1	5
23871-030000	4	3
	10	12
23887-100002	14	72
23887-120002	1	4
24101-063034	11	54
24311-000120	4	46
24311-000160	2	10
	9	31
24311-000320	2	11
	4	42
	17	7
		9
24311-240100	13	41
		57
24341-000160	11	55
24341-000240	2	23
	3	9
24341-000500	4	39
	17	8
26014-060162	10	20
26014-080252	16	18
26014-080702	13	42
26022-050102	11	56
	14	73
26022-060162	11	57
26106-060122	2	24
26106-060202	14	74
26106-080122	2	12
26106-080142	4	33
26106-080162	1	14
	2	13
		14
	3	11
	4	40
26106-080202	2	15
	9	32
	10	25
26106-080252	4	29
	5	3
26106-080302	3	16
26106-080352	3	17
	5	6
	9	18 -1
	10	15
26106-080452	2	16
	3	12
	7	10
26106-080502	4	30
26106-080552	2	17

## Parts No. Index

Parts No.	Fig. No.	Ref. No.
26106-080552	10	16
		16 -1
26106-080602	6	4
26106-080802	6	5
26106-080852	2	18
26116-050302	11	58
26116-080352	9	18
26116-120252	15	26
26206-100252	3	4
26206-100302	3	5
26216-060302	4	4
26216-080222	6	6
26216-080602	6	7
26216-080802	6	8
26226-080182	4	25
26366-060002	4	31
26366-080002	2	19
26366-100002	16	16
26450-060252	9	12
26687-120002	14	75
26716-060002	11	60
26716-120002	11	3
26776-120002	14	76
27231-500000	1	6
27241-120000	1	7
27241-220000	4	5
27241-300000	1	8
27241-400000	4	6
27310-070001	4	11 -1
28110-100120	17	26
28110-140170	17	27
28110-190220	17	28
43400-500390	14	77
43400-500410	2	20
		21
	9	40 -1
43400-500430	14	66 -1
43400-500450	14	78
43400-500490	11	61
719810-01541	3	6
719810-02800	1	10
719810-02930	1	11
719810-11650	4	22 -1
719810-11700	4	1
719810-23100	8	23 -1
719810-23600	8	27
719810-23700	8	23
719811-01560	1	1
719811-11700	4	1 -1
719811-21700	8	1

Parts No.	Fig. No.	Ref. No.
719811-22900	8	32
719832-51360	11	4
719843-92600	17	2
719843-92601	17	2 -1
719865-11650	4	22
729100-22500	8	17
729500-53200	12	1
729555-22950	8	34
X211414501	15	13
X211415502	15	3
X211415505	15	20
X211425502	15	4
X211425505	15	23
X21142867	15	19
X211429006	15	22
X211429007	15	9
X21143315	15	7
X211435502	15	24
X211445502	15	25
X211447007	15	14
X211448004	15	16
X211451007	15	2
X21145866	15	18
X211459002	15	11
X21146012	15	15
X211468005	15	17
X211472106	15	5
X211476504	15	12
X21148215	15	6
X211483003	15	8
X21148314	15	10
X211495009	15	21
XM069000000	16	8
XM081780000	16	9
XM178780000	16	10
XM219230000	16	3
XM329830000	16	4
XM860250000	16	5
XM863720000	16	6
XYSPS400800	16	12
XYSPS402400	16	13

Parts No.	Fig. No.	Ref. No.
-----------	----------	----------

Parts No.	Fig. No.	Ref. No.
-----------	----------	----------