

0CV10-M10900EN

P R E F A C E

1. This Parts Catalog carries all parts incorporated in YANMAR Model 4 T N A 7 8 E — R D W F engine manufactured since March 1991.
2. Each illustration corresponds to the parts list on the following page.
3. When ordering parts, clearly write down the engine model and serial number, as well as the name and number of each part in your order sheet. This will help insure reliable delivery of the parts you have ordered.

Directions for the Parts Catalog.

1. This Parts Catalog shows both standard and optional parts.
2. Parts may change without prior notice.
3. The following is an example of the Parts Catalog format.

REF.	LEV.	PARTS NO.	DESCRIPTION	Q'TY						I	R
				(A)	(B)	(C)	(D)	(E)	(F)		
1	1	729595-51390	FUEL INJECTION PUMP	1	1	1	1	1			1
1-1	1	729595-51391	FUEL INJECTION PUMP	1	1	1	1	1		N	1
		(A=E00185) (B=E00200)									
3	2	26022-060162	SCREW M 6X 16	9	9	9	9	9			
3-1	2	26022-060162	SCREW M 6X 16	4	4	4	4	4		K	
		(A=E00156) (B=E00156) (C=E00156) (D=E00156) (E=E00156)									
4	2	129470-51040	CAMSHAFT	1	1	1	1	1			
5	2	122710-51050	BEARING, ROLLER	2	2	2	2	2			
6	2	129470-51060	RETAINER	1	1	1	1	1			

Remarks
(1) BOOST COMPEMSATOR TYPE. OPTIONAL PART, TO E00155,(4JH-DT, 4JH-DTZ

① Ref. No.

The Ref. No. listed may not be in accordance with the illustration Ref. No.

(Ex.) Illustration No.

List Ref No.

1 1 (Before change) → 1-1 (After change)

For interchangeable symbols N, R and K, illustrations for new parts may be abbreviated.

② Lev. (Level)

Level indication

The numbers below indicate the level of relativity towards the main part.

1 ---- Main parts (Assembly parts)

2 ---- Sub component included in " 1 ".

3 ---- Sub component included in " 2 ".

Note) Parts that are not for sale are partially illustrated but not listed.

③ Interchangeability Symbol

When a part change takes place, one of the following interchangeability symbols is indicated beside the part.

Symbol	Interchangeability	Contents note
N	Old $\begin{matrix} \leftarrow \text{Yes} \\ \text{No} \rightarrow \end{matrix}$ New	New Part is interchangeable for Old Part but Old Part is not interchangeable for New Part.
Q	Old $\begin{matrix} \leftarrow \text{No} \\ \text{Yes} \rightarrow \end{matrix}$ New	New Part is not interchangeable for Old Part but Old Part is interchangeable for New Part.
R	Old $\begin{matrix} \leftarrow \text{Yes} \\ \text{Yes} \rightarrow \end{matrix}$ New	New/ Old Parts are both interchangeable.
S	Old $\begin{matrix} \leftarrow \text{No} \\ \text{No} \rightarrow \end{matrix}$ New	New/ Old Parts are both not interchangeable.
W		Part newly added.
Z		Part discontinued.
F		Not interchangeable by a single part but interchangeable together with related parts.
K		Changes only for used parts quantities.

④ Effective Machine No.

When a part changes, the effective Machine No. will be indicated in the (A)-(F) column.

Product Symbol	Product No.	Product Symbol	Product No.
C	Clutch No. Compressor No.	F	Machine No. (Agricultural Equip.)
D	Drive No.	M	Machine No.
E	Engine No.		

Note 1) A date may follow the symbol. (Ex.) 1996.01

Note 2) "XXXXX" and "ZZZZZ" are for parts that could not be predicted or for engine models that could not be identified.

Note 3) (A=E00185) is the E (Engine Serial Number) for the column (A) model (in this case 4JH-DT) after the parts design change.

⑤ Remarks

Figures or alphabets (symbols) are entered in the remarks column.

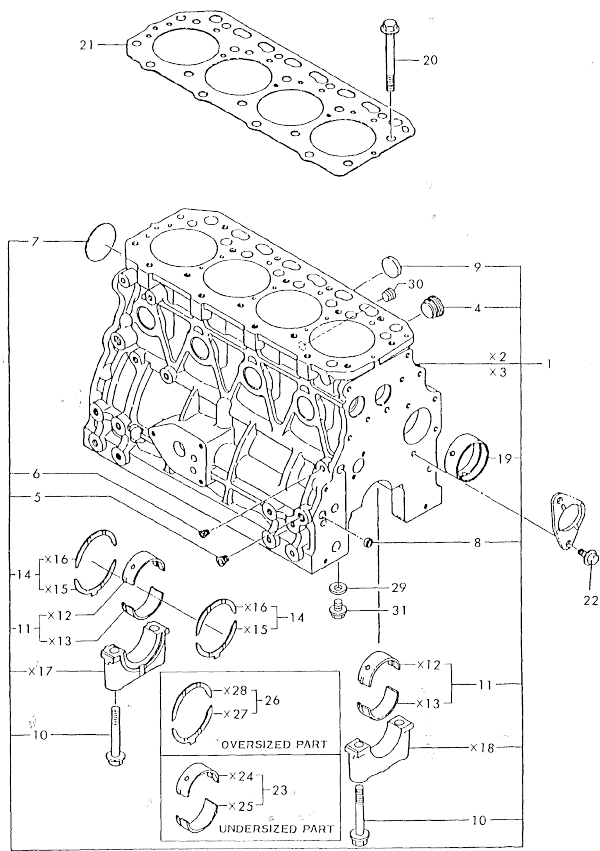
The comments (remarks) on parts that are indicated at the bottom of the illustration are the same symbols as those stated above.

Contents

Fig. No.	Fig. Name	Fig. No.	Fig. Name
	ENGINE (4TNA78E-RDWF)		
	1. CYLINDER BLOCK		
	2. GEAR HOUSING		
	3. LUB. OIL SUMP		
	4. BONNET		
	5. CYLINDER HEAD		
	6. SUCTION & EXHAUST MANIFOLD		
	7. CAMSHAFT & DRIVING GEAR		
	8. CRANKSHAFT & PISTON		
	9. LUB. OIL SYSTEM		
	10. COOLING WATER SYSTEM		
	11. FUEL INJECTION PUMP		
	12. FUEL INJECTION LINE		
	13. FUEL LINE		
	14. GOVERNOR		
	15. ENGINE STOP DEVICE		
	16. STARTING MOTOR		
	17. GASKET SET & TOOL(OPTIONAL)		

Fig.1. CYLINDER BLOCK

Fig. 1 CYLINDER BLOCK

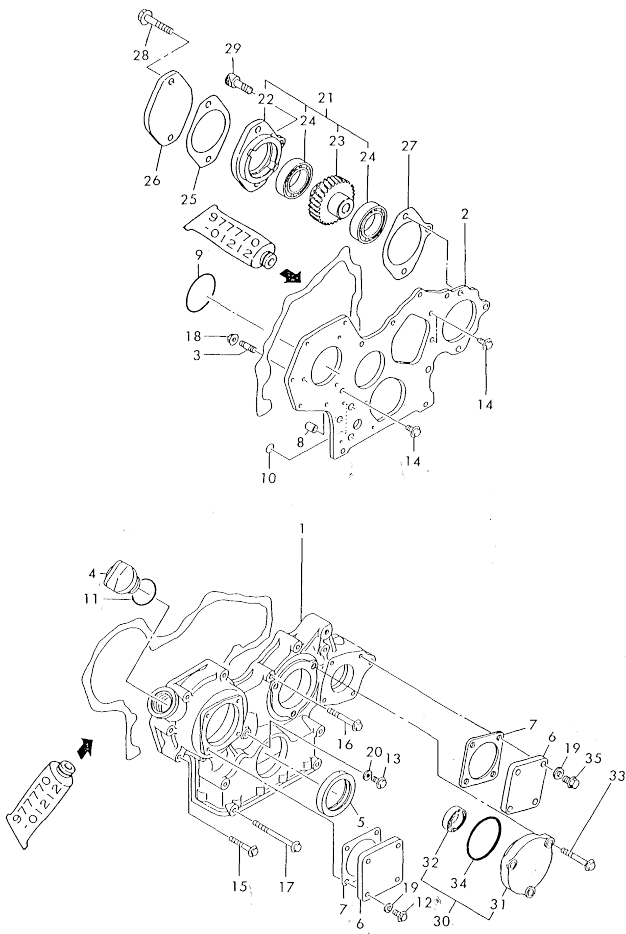


Remarks
 (1) UNDER-SIZE(U.S=0.25)PART.
 (2) OVER-SIZE(O.S=0.25)PART.

No.	Lev.	Parts No.	Description	Q'ty						
				(A)	(B)	(C)	(D)	(E)	(F)	
1	1	729500-01560	BLOCK ASSY, CYLINDER	1						
4	3	171051-01921	PLUG, NPTF1	1						
5	3	124160-01910	PLUG, PT1/4	2						
6	3	23871-010000	PLUG, R01	1						
7	3	27231-500000	PLUG 50	1						
8	3	27241-120000	PLUG, 12	2						
9	3	27241-300000	PLUG 30	8						
10	2	129150-02020	BOLT, METAL CAP	10						
11	2	129150-02800	BEARING, MAIN	5						
14	2	129150-02930	BEARING, THRUST	2						
19	2	129795-02411	BUSH, CAMSHAFT	1						
20	1	129150-01200	BOLT, HEAD	18						
21	1	129555-01332	GASKET, HEAD	1						
22	1	26106-080162	BOLT, M8X 16 PLATED	2						
23	1	129150-02870	BEARING, 0.25 US	5						1
26	1	129150-02940	BEARING, THRUST 0.25	1						2
29	1	23414-080000	GASKET, 8X1.0	4						
30	1	23871-030000	PLUG, R03	1						
31	1	26106-080122	BOLT, M8X 12 PLATED	4						

Fig.2. GEAR HOUSING

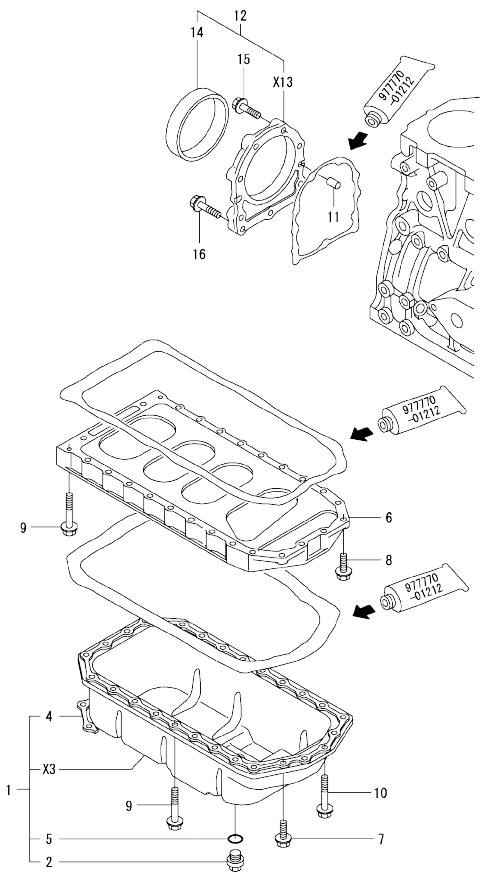
Fig. 2 GEAR HOUSING



(A)=4TNA78E-RDWF
(D)=
(E)=
(F)=

No.	Lev.	Parts No.	Description	Q'ty					
				(A)	(B)	(C)	(D)	(E)	(F)
1	1	171353-01501	CASE, GEAR	1					
2	1	171353-01520	FLANGE, GEAR CASE	1					
3	1	121450-01560	STUD, M8X22	3					
4	1	124160-01751	COVER, FILLER	1					
5	1	129795-01800	SEAL, OIL	1					
6	1	124240-01871	COVER	2					
7	1	124240-01883	GASKET	2					
8	1	129795-01950	PIPE, KNOCK L=18	2					
9	1	121850-51960	O-RING	1					
10	1	24311-000160	O-RING, 1AP16.0	2					
11	1	24311-000320	O-RING, 1AP32.0	1					
12	1	26106-080122	BOLT, M8X 12 PLATED	4					
13	1	26106-080162	BOLT, M8X 16 PLATED	1					
14	1	26106-080162	BOLT, M8X 16 PLATED	3					
15	1	26106-080452	BOLT, M8X 45 PLATED	6					
16	1	26106-080552	BOLT, M8X 55 PLATED	3					
17	1	26106-080852	BOLT, M8X 85 PLATED	4					
18	1	26366-080002	NUT, M8	3					
19	1	43400-500410	SEAL WASHER 8S	8					
20	1	43400-500410	SEAL WASHER 8S	1					
21	1	129189-26000	DRIVE ASSY, PUMP	1					
22	2	171353-26050	BRACKET, PUMP	1					
23	2	129189-26200	GEAR ASSY	1					
24	2	24101-060064	BEARING, BALL 6006	2					
25	1	121023-26061	GASKET	1					
26	1	121023-26070	COVER	1					
27	1	171353-26080	GASKET	1					
28	1	26106-100452	BOLT, M10X 45 PLATED	2					
29	1	26450-080282	BOLT, M8X 28	1					
30	1	129189-02990	COVER	1					
31	2	129189-02800	CASE, BEARING	1					
32	2	24101-063030	BEARING, BALL 6303C3	1					
33	1	129189-91980	BOLT	3					
34	1	24321-000600	O-RING, 1AG60.0	1					
35	1	26106-080162	BOLT, M8X 16 PLATED	4					

Fig.3. LUB. OIL SUMP



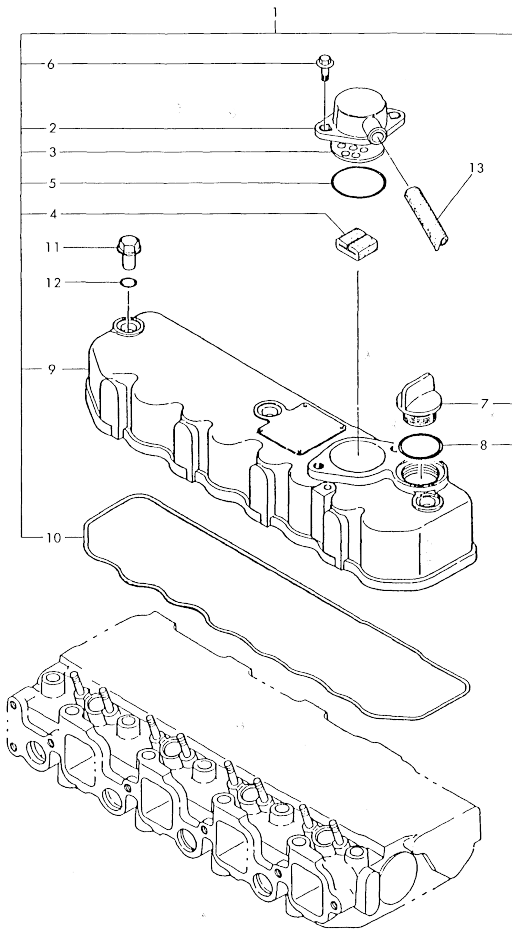
× MARK PARTS: NOT SOLD SEPARATELY.

No.	Lev.	Parts No.	Description	Q'ty						I	R
				(A)	(B)	(C)	(D)	(E)	(F)		
1	1	729402-01540	SUMP ASSY, OIL	1							
2	2	171301-01640	PLUG, 22	1							
4	2	129100-01790	RETAINER	2							
5	2	24341-000240	O-RING, 1AS24.0	1							
6	1	129400-01730	SPACER, OIL SUMP	1							
7	1	26106-080162	BOLT, M8X 16 PLATED	4							
8	1	26106-080252	BOLT, M8X 25 PLATED	2							
9	1	26106-080452	BOLT, M8X 45 PLATED	20							
10	1	26106-080502	BOLT, M8X 50 PLATED	4							
11	1	129100-01580	PIN, M8X16	2							
12	1	129100-01640	CASE ASSY, OIL SEAL	1							
14	2	129795-01780	SEAL, OIL	1							
15	1	26106-080302	BOLT, M8X 30 PLATED	6							
16	1	26106-080352	BOLT, M8X 35 PLATED	3							

N:Old $\frac{New}{Old}$ New, Q:Old $\frac{New}{Old}$ New, R:Old $\frac{New}{Old}$ New, S:Old $\frac{New}{Old}$ New, W:Add, Z:Discontinued, F:Interchangeable by set, K:Qty Change
 Copyright (C) YANMAR CO., LTD. All Rights Reserved.

Fig.4. BONNET

Fig. 4 BONNET

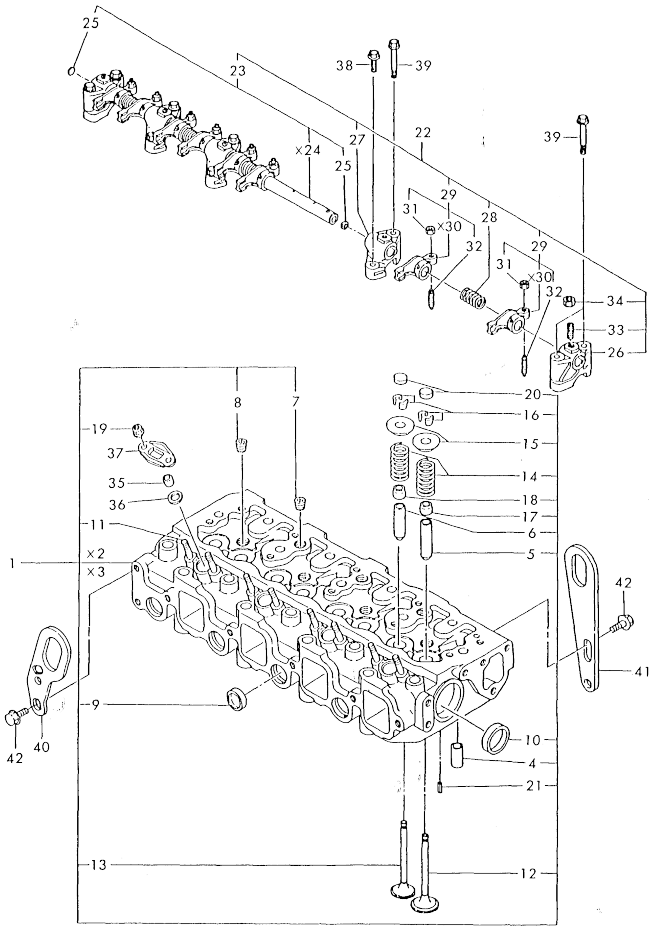


(A)=4TNA78E-RDWF
(D)=
(E)=
(F)=

No.	Lev.	Parts No.	Description	Q'ty						I	R	
				(A)	(B)	(C)	(D)	(E)	(F)			
1	1	129400-11350	BONNET ASSY, HEAD	1								
2	2	129150-03020	COVER, BREATHER	1								
3	2	129150-03080	PLATE, BAFFLE	1								
4	2	129150-03070	BAFFLE, BREATHER	1								
5	2	24341-000500	O-RING, 1AS50.0	1								
6	2	26106-080162	BOLT, M8X 16 PLATED	2								
7	2	124160-01751	COVER, FILLER	1								
8	2	24311-000320	O-RING, 1AP32.0	1								
9	2	129400-11300	BONNET	1								
10	2	129550-11310	GASKET, BONNET	1								
11	1	124160-11360	KNOB	3								
12	1	24311-000120	O-RING, 1AP12.0	3								
13	1	129150-03090	HOSE, ID16X2T	1								

Fig.5. CYLINDER HEAD

Fig. 5 CYLINDER HEAD

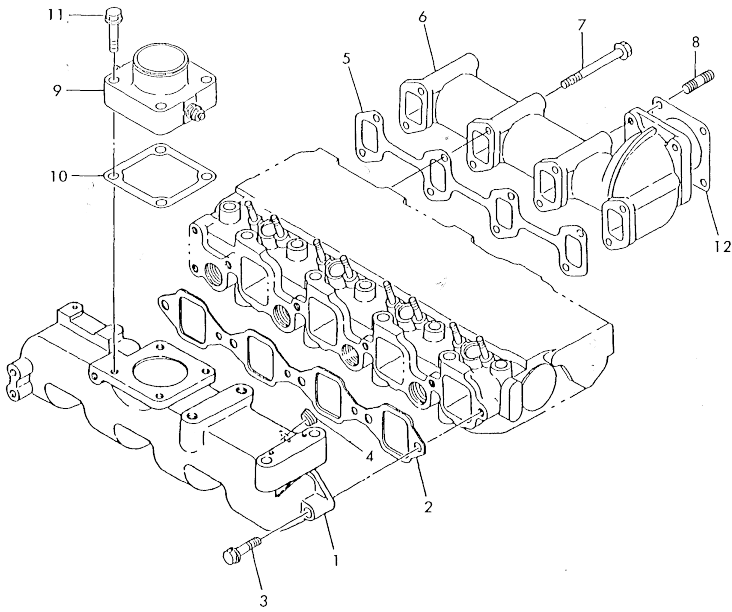


No.	Lev.	Parts No.	Description	Q'ty						I	R
				(A)	(B)	(C)	(D)	(E)	(F)		
1	1	729583-11700	HEAD ASSY, CYLINDER	1							
4	3	129150-11050	PIECE	4							
5	3	120130-11160	GUIDE, VALVE	4							
6	3	129150-11170	GUIDE, VALVE	4							
7	3	121850-11860	PLUG, PT1/4	3							
8	3	23871-030000	PLUG, R03	4							
9	3	27241-220000	PLUG, 22	4							
10	3	27241-400000	PLUG, 40	2							
11	3	26216-060202	STUD, M6X 20	8							
12	2	129100-11100	VALVE, INTAKE	4							
13	2	129100-11110	VALVE, EXHAUST	4							
14	2	129795-11120	SPRING, VALVE	8							
15	2	129795-11180	RETAINER, SPRING	8							
16	2	103338-11190	COTTER	8							
16-1	2	27310-080001	COTTER, 8	8							N
(A=EXXXXX)											
17	2	124460-11340	SEAL, VALVE STEM	4							
18	2	121400-11340	SEAL, VALVE STEM	4							
19	2	26366-060002	NUT, M6	8							
20	2	129150-11370	CAP, VALVE	8							
21	2	22351-060012	PIN, SPRING 6.0X12	2							
22	1	129555-11241	SHAFT ASSY, ROCKER	1							
23	2	129550-11290	SHAFT, ROCKER ARM	1							
25	3	27241-100000	PLUG, 10	2							
26	2	129155-11260	SUPPORT, ROCKER ARM	2							
27	2	129155-11270	SUPPORT, ROCKER ARM	3							
28	2	129150-11280	SPRING	4							
29	3	729402-11650	ARM ASSY, ROCKER	8							
31	3	129150-11750	NUT, M8	8							
32	3	129150-11230	SCREW, VALVE ADJUST	8							
33	2	26226-080182	STUD, M8X 18	3							
34	2	26756-080002	NUT, LOCK M8	3							
35	1	119625-11870	PROTECTOR, NOZZLE	4							
36	1	119625-11880	SEAT, NOZZLE	4							
37	1	119625-11900	RETAINER, NOZZLE	4							
38	1	26106-080252	BOLT, M8X 25 PLATED	3							
39	1	26106-080502	BOLT, M8X 50 PLATED	7							
40	1	119260-07900	LIFTER	1							
41	1	124736-07900	LIFTER	1							
42	1	26106-080142	BOLT, M8X 14 PLATED	4							

OCV10-M10900

Fig.6. SUCTION & EXHAUST MANIFOLD

Fig. 6 SUCTION & EXHAUST MANIFOLD



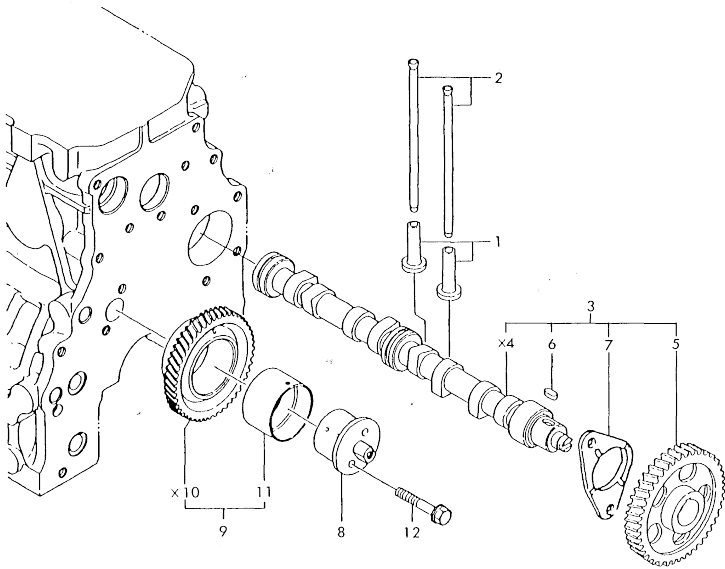
(A)=4TNA78E-RDWF
(D)=
(E)=
(F)=

No.	Lev.	Parts No.	Description	Q'ty						I	R
				(A)	(B)	(C)	(D)	(E)	(F)		
1	1	129400-12100	MANIFOLD, AIR INTAKE	1							
2	1	129550-12111	GASKET, MANIFOLD	1							
3	1	26106-080352	BOLT, M8X 35 PLATED	5							
4	1	23871-030000	PLUG, R03	1							
5	1	129550-13110	GASKET	1							
6	1	129400-13101	MANIFOLD, EXHAUST	1							
7	1	26106-080802	BOLT, M8X 80 PLATED	8							
8	1	26216-080222	STUD, M8X 22	4							
9	1	129120-77501	HEATER	1							
10	1	129150-77511	GASKET	1							
11	1	26106-080352	BOLT, M8X 35 PLATED	4							
12	1	129400-13200	GASKET, SILENCER	1							

OCV10-M10900

Fig.7. CAMSHAFT & DRIVING GEAR

Fig. 7 CAMSHAFT & DRIVING GEAR

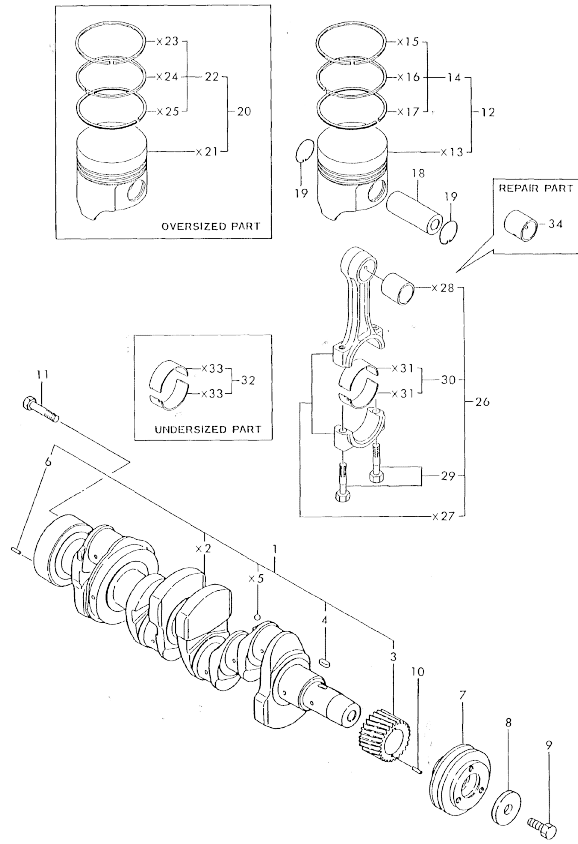


No.	Lev.	Parts No.	Description	Q'ty						I	R
				(A)	(B)	(C)	(D)	(E)	(F)		
1	1	129150-14200	TAPPET		8						
2	1	129550-14400	ROD, PUSH		8						
3	1	729583-14580	CAMSHAFT ASSY		1						
5	2	129189-14100	GEAR, CAMSHAFT		1						
6	2	22512-070140	KEY, 7X 14		1						
7	2	129150-02450	BEARING, THRUST		1						
8	1	129189-25050	SHAFT, IDLE		1						
9	1	129189-25100	GEAR ASSY, IDLE		1						
11	2	129189-25060	BUSH, IDLE GEAR		1						
12	1	26106-080502	BOLT, M8X 50 PLATED		2						

N:Old $\frac{100}{100}$ New, Q:Old $\frac{100}{100}$ New, R:Old $\frac{100}{100}$ New, S:Old $\frac{100}{100}$ New, W:Add, Z:Discontinued, F:Interchangeable by set, K:Q'ty Change
 Copyright (C) YANMAR CO., LTD. All Rights Reserved.

Fig.8. CRANKSHAFT & PISTON

Fig. 8 CRANKSHAFT & PISTON



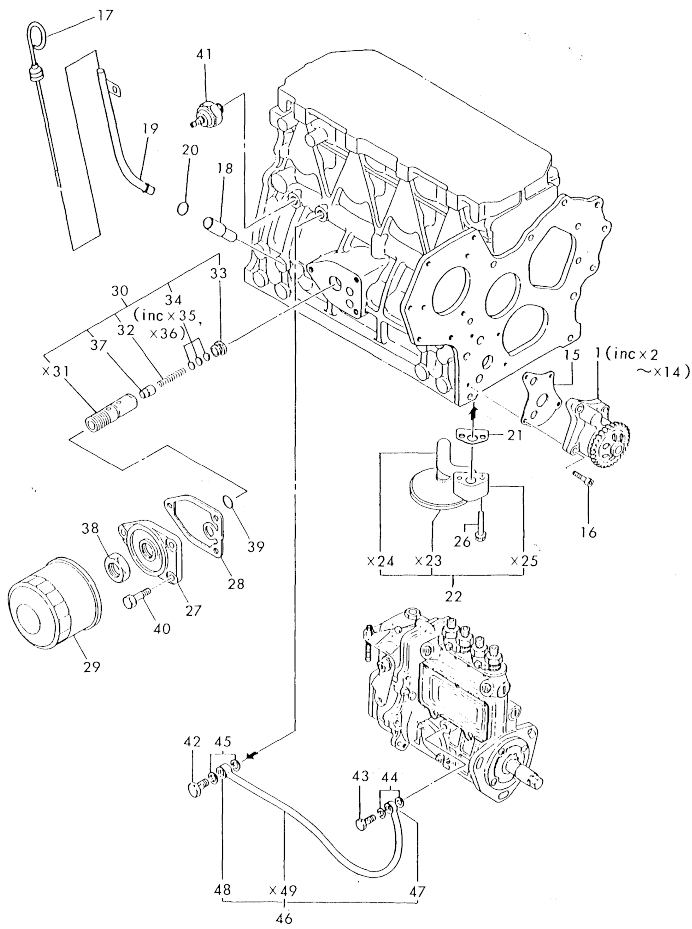
No.	Lev.	Parts No.	Description	Q'ty						I	R
				(A)	(B)	(C)	(D)	(E)	(F)		
1	1	729500-21700	CRANKSHAFT ASSY	1							
3	2	129150-21200	GEAR, CRANKSHAFT	1							
4	2	22512-070140	KEY, 7X 14	1							
6	2	129100-01580	PIN, M8X16	1							
7	1	171301-21650	V-PULLEY	1							
8	1	129795-21661	WASHER	1							
9	1	121850-21680	BOLT	1							
10	1	129100-01580	PIN, M8X16	1							
11	1	121111-21501	BOLT, FLYWHEEL	6							
12	1	129500-22080	PISTON ASSY	4							
14	2	729100-22500	RING SET, PISTON	4							
18	1	129150-22300	PIN, PISTON D26 L66	4							
19	1	121100-22400	CIRCLIP	8							
20	1	729500-22900	PISTON ASSY, 0.25 OS	4							1
22	2	729555-22950	RING SET, 0.25 OS	4							1
26	1	729550-23700	ROD ASSY, CONNECTING	4							
29	2	121550-23200	BOLT, CONNECTING ROD	8							
30	2	129150-23600	BEARING, CRANK PIN	4							
32	1	129150-23610	BEARING, 0.25 US	4							2
34	1	129100-23910	BEARING, PISTON PIN	4							3
35	1	129403-21400		1							W
36	1	121111-21501	BOLT, FLYWHEEL	6							W

Remarks

- (1) OVER-SIZED(O.S=0.25) PART.
- (2) UNDER-SIZED(U.S=0.25) PART.
- (3) REPAIR PART.

Fig.9. LUB. OIL SYSTEM

Fig. 9 LUB. OIL SYSTEM



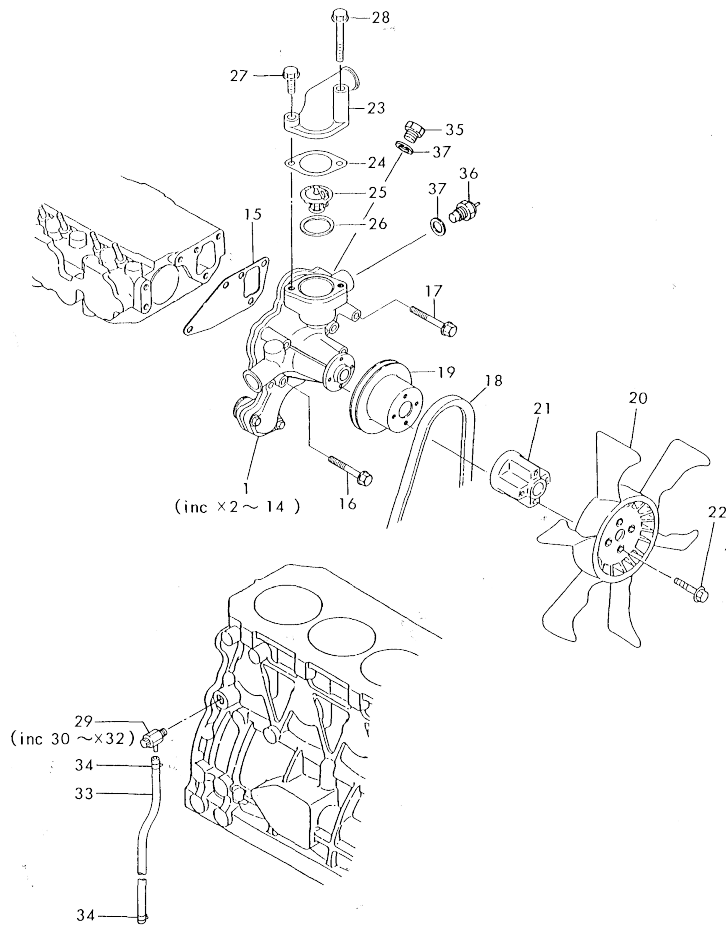
(A)=4TNA78E-RDWF
(B)=
(C)=

(D)=
(E)=
(F)=

No.	Lev.	Parts No.	Description	Q'ty						I	R
				(A)	(B)	(C)	(D)	(E)	(F)		
1	1	129189-32000	PUMP ASSY, OIL	1							
15	1	129150-32020	GASKET, PUMP	1							
16	1	26450-060252	BOLT, M6X 25	4							
17	1	129535-34800	DIPSTICK, OIL	1							
18	1	119260-34810	GUIDE, DIPSTICK	1							
19	1	129535-34811	GUIDE, DIPSTICK A	1							
20	1	24311-240100	O-RING, 1AP10A	1							
21	1	129150-35041	GASKET	1							
22	1	129150-35091	PIPE ASSY, OIL INLET	1							
26	1	26106-080352	BOLT, M8X 35 PLATED	2							
27	1	129150-35101	BRACKET, STRAINER	1							
28	1	129150-35111	GASKET	1							
29	1	129150-35150	FILTER 90X80L	1							
30	1	119865-35300	VALVE ASSY, CONTROL	1							
32	2	119865-35320	SPRING	1							
33	2	119865-35330	RETAINER	1							
34	2	129150-35340	SHIM SET	1							
37	2	119865-35350	VALVE, CONTROL	1							
38	1	129150-35350	NUT	1							
39	1	24311-000160	O-RING, 1AP16.0	1							
40	1	26106-080202	BOLT, M8X 20 PLATED	3							
41	1	124160-39450	SWITCH, 0.5KG	1							
42	1	124160-39140	BOLT, PIPE JOINT M10	1							
43	1	124550-59820	BOLT, PIPE JOINT M8	1							
44	1	43400-500410	SEAL WASHER 8S	2							
45	1	23414-100000	GASKET, 10X1.0	2							
46	1	129550-39450	PIPE ASSY, OIL	1							
47	2	129150-39150	JOINT	1							
48	2	129150-39180	JOINT	1							

Fig.10. COOLING WATER SYSTEM

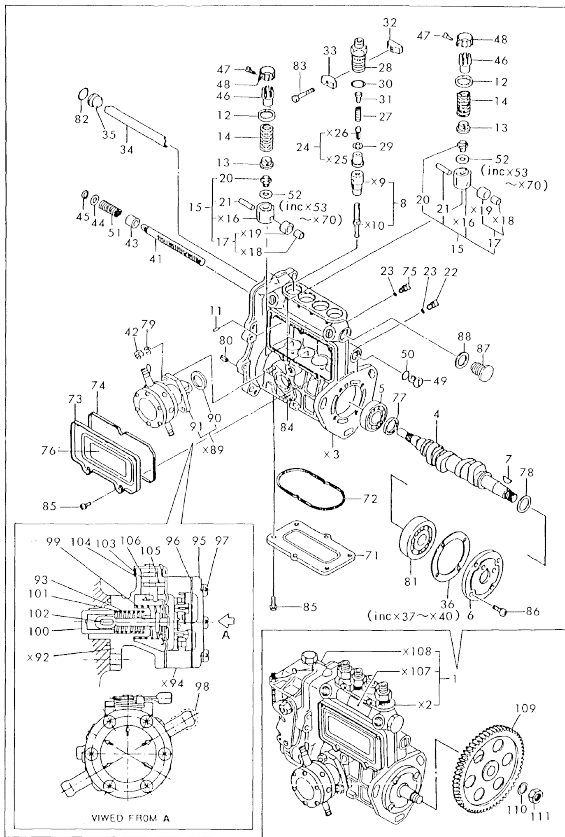
Fig. 10 COOLING WATER SYSTEM



No.	Lev.	Parts No.	Description	Q'ty						I	R
				(A)	(B)	(C)	(D)	(E)	(F)		
1	1	129150-42001	PUMP ASSY, WATER	1							
3	2	129150-42051	GASKET, WATER PUMP	1							
4	2	129150-42120	PLATE	1							
5	2	129150-42200	IMPELLER	1							
6	2	121850-42240	BEARING, SHAFT	1							
8	2	129150-42300	FLANGE	1							
9	2	129150-42311	GASKET	1							
10	2	129150-42320	O-RING	1							
11	2	129150-42330	SEAL, MECHANICAL	1							
12	2	26106-060142	BOLT, M6X 14 PLATED	5							
13	2	26106-060202	BOLT, M6X 20 PLATED	2							
14	2	26116-060142	BOLT, M6X 14 PLATED	1							
15	1	129150-42020	GASKET, WATER PUMP	1							
16	1	26106-080552	BOLT, M8X 55 PLATED	3							
17	1	26106-080602	BOLT, M8X 60 PLATED	1							
18	1	129450-42290	V-BELT, A41	1							
19	1	129120-42350	V-PULLEY, 130	1							
20	1	171340-44740	FAN, COOLING D335XNF	1							
21	1	119256-44760	SPACER, FAN	1							
22	1	26106-060552	BOLT, M6X 55 PLATED	4							
23	1	124101-49530	COVER, THERMOSTAT	1							
24	1	129795-49551	GASKET	1							
25	1	129155-49800	THERMOSTAT, 71	1							
26	1	129150-49811	GASKET, THERMOSTAT	1							
27	1	26106-080252	BOLT, M8X 25 PLATED	1							
28	1	26106-080652	BOLT, M8X 65 PLATED	1							
29	1	120130-49350	COCK, 1/4	1							
30	2	24311-000050	O-RING, 1AP5.0	1							
33	1	129100-49050	PIPE, WATER	1							
34	1	23000-016000	CLAMP, 16	2							
35	1	121450-42450	PLUG, M16	1							
36	1	129107-44900	SENSOR	1							
37	1	124465-44950	GASKET, 16	2							

Fig.11. FUEL INJECTION PUMP

Fig. 11 FUEL INJECTION PUMP



Remarks

(1) GOVERNOR ASSY(FIG.14) IS INCORPORATED IN THIS FUEL INJECTION PUMP ASSY(REF.NO.1, P# 729583-51360).

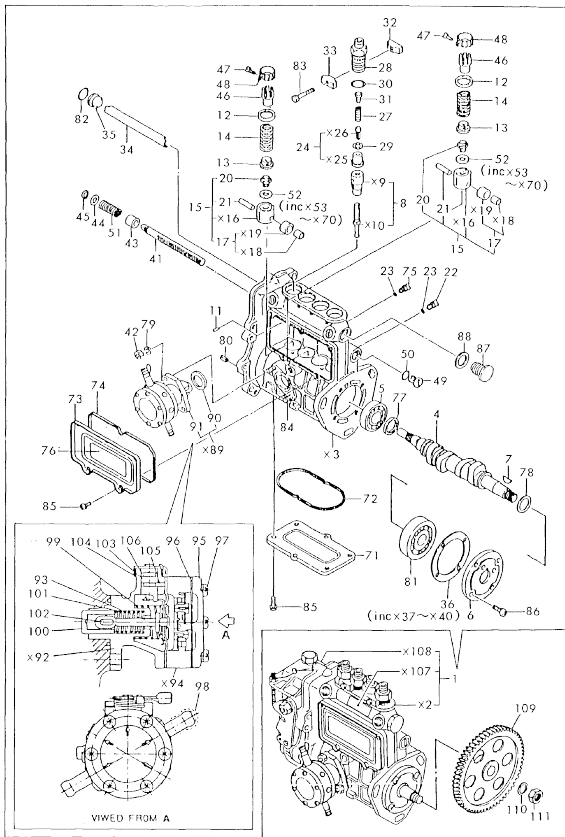
(A)=4TNA78E-RDWF
(B)=
(C)=

(D)=
(E)=
(F)=

No.	Lev.	Parts No.	Description	Q'ty						I	R
				(A)	(B)	(C)	(D)	(E)	(F)		
1	1	729583-51360	PUMP ASSY, INJECTION	1							1
4	3	129506-51040	CAMSHAFT	1							
5	3	129155-51050	BEARING, 17BM001D	1							
6	3	129155-51060	SUPPORT, CAMSHAFT	1							
7	3	122710-51090	KEY	1							
8	3	129506-51100	PLUNGER ASSY	4							
11	3	129155-51140	PIN	4							
12	3	174307-51170	RETAINER, SPRING A	4							
13	3	129155-51180	RETAINER, SPRING	4							
14	3	124950-51190	SPRING, PLUNGER	4							
15	3	129155-51200	TAPPET ASSY	4							
17	4	711100-51540	ROLLER ASSY	4							
20	4	129155-51250	BOLT, ADJUSTING	4							
21	4	174100-54120	PIN	4							
22	3	129155-51270	STOPPER, TAPPET	4							
23	3	129155-51280	O-RING, S6	4							
24	3	129100-51300	VALVE ASSY, DELIVERY	4							
27	3	129155-51320	SPRING, DELIVERY	4							
28	3	129155-51340	RETAINER	4							
29	3	124550-51350	GASKET, DELIVERY	4							
30	3	124550-51370	O-RING	4							
31	3	129155-51370	STOPPER, VALVE	4							
32	3	129155-51380	STOPPER	2							
33	3	129155-51390	STOPPER	2							
34	3	129555-51400	DEFLECTOR	1							
35	3	129155-51410	BOLT	1							
36	3	129155-51450	SHIM SET, ADJUSTING	1							
41	3	129555-51500	RACK, CONTROL	1							
42	3	26716-060002	NUT, M6	2							
43	3	129155-51521	BUSH, RACK	1							
44	3	129155-51530	SPACER	1							
45	3	129155-51540	CIRCLIP	1							
46	3	129155-51550	PINION, CONTROL	4							
47	3	122117-51560	SCREW	4							
48	3	174307-51560	PINION	4							
49	3	129155-51570	PLUG, M12	1							
50	3	129155-51580	O-RING	1							
51	3	129155-51591	SPRING, RACK	1							
52	3	129155-51600	SHIM SET, ADJUSTING	4							
71	3	129555-51700	COVER	1							
72	3	129555-51710	GASKET	1							
73	3	129555-51750	COVER	1							
74	3	129555-51760	GASKET	1							
75	3	129155-51790	STOOPER, RACK	1							
76	3	129156-51910	LABEL, CAUTION	1							
77	3	129155-51930	SPACER, T=3.25	1							
78	3	129155-51940	SPACER, T=1.5	1							
79	3	22217-060000	WASHER, SPRING 6	2							
80	3	22351-050010	PIN, SPRING 5.0X10	2							
81	3	24101-063034	BEARING, BALL 6303	1							
82	3	24341-000160	O-RING, 1AS16.0	1							

Fig.11. FUEL INJECTION PUMP

Fig. 11 FUEL INJECTION PUMP



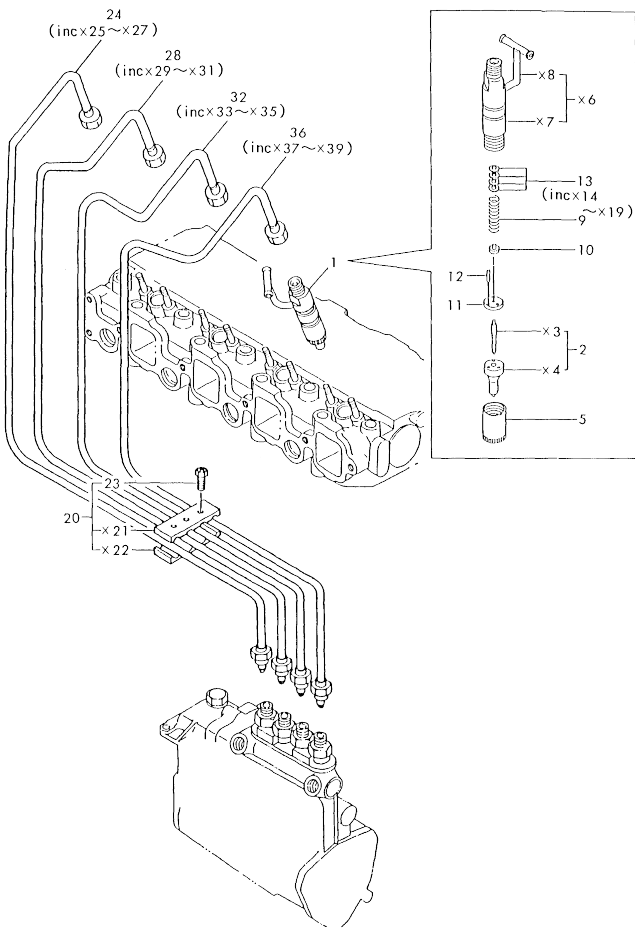
No.	Lev.	Parts No.	Description	Q'ty					
				(A)	(B)	(C)	(D)	(E)	(F)
83	3	26116-050302	BOLT, M5X 30 PLATED	2					
84	3	129155-51020	STUD	2					
85	3	26022-050102	SCREW, M5X10	11					
86	3	26022-060162	SCREW, M6X16	4					
87	3	129155-51420	PLUG, M16	1					
88	3	43400-500490	SEAL WASHER 16S	1					
90	3	129155-52020	GASKET	1					
91	3	129100-52100	PUMP ASSY, FUEL FEED	1					
93	4	129158-52020	DIAPHRAGM	1					
95	4	129158-52060	COVER	1					
96	4	129158-52070	GASKET	1					
97	4	129158-52080	SCREW	6					
98	4	129158-52090	CAP	2					
99	4	129158-52160	SPRING	1					
100	4	129158-52250	TAPPET	1					
101	4	129158-52260	SPRING	1					
102	4	129158-52270	PIN	1					
103	4	129158-52350	LEVER	1					
104	4	129158-52360	SPRING, RETURN	1					
105	4	129158-52370	PIN	1					
106	4	129158-52380	O-RING	1					
109	1	129189-25900	GEAR, PUMP	1					
110	1	22217-120000	WASHER, SPRING 12	1					
111	1	26716-120002	NUT, M12	1					

Remarks

(1) GOVERNOR ASSY(FIG.14) IS INCORPORATED IN THIS FUEL INJECTION PUMP ASSY(REF.NO.1, P# 729583-51360).

Fig.12. FUEL INJECTION LINE

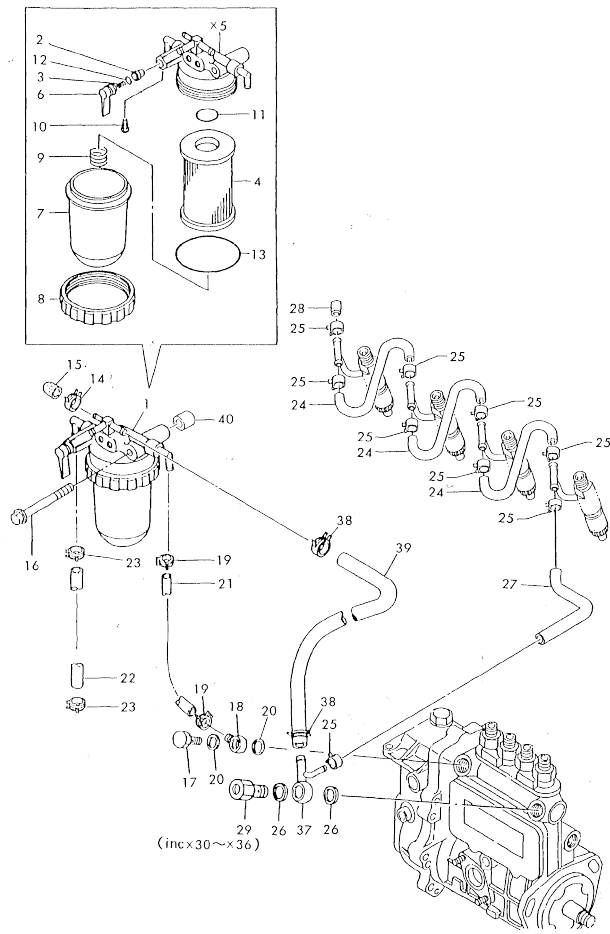
Fig. 12 FUEL INJECTION LINE



No.	Lev.	Parts No.	Description	Q'ty					
				(A)	(B)	(C)	(D)	(E)	(F)
1	1	729108-53100	VALVE ASSY,INJECTION	4					
2	2	129108-53000	VALVE ASSY,INJECTION	4					
5	2	114250-53080	NUT, NOZZLE D16.95	4					
9	2	114250-53120	SPRING, NOZZLE	4					
10	2	114250-53130	SEAT, SPRING	4					
11	2	114250-53140	PLATE	4					
12	2	114250-53210	PIN	8					
13	2	114250-53400	SHIM SET	4					
20	1	129550-59120	RETAINER, PIPE	1					
23	2	129150-59130	BOLT, M4X12	2					
24	1	129500-59910	PIPE ASSY, INJECTION	1					
28	1	129500-59920	PIPE ASSY, INJECTION	1					
32	1	129500-59930	PIPE ASSY, INJECTION	1					
36	1	129500-59940	PIPE ASSY, INJECTION	1					

Fig.13. FUEL LINE

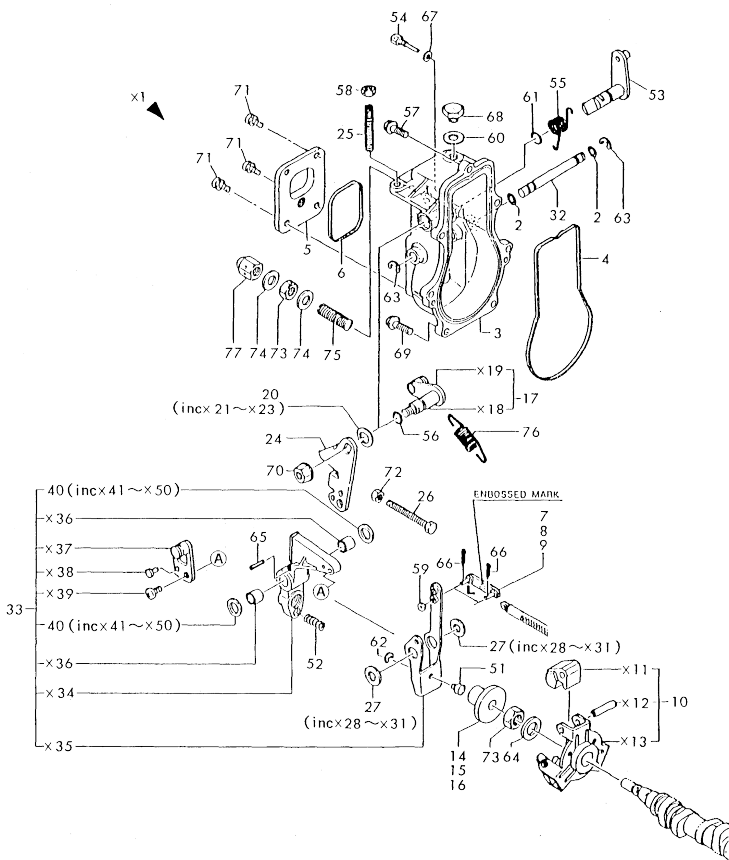
Fig. 13 FUEL LINE



No.	Lev.	Parts No.	Description	Q'ty						I	R
				(A)	(B)	(C)	(D)	(E)	(F)		
1	1	129100-55621	FILTER ASSY, FUEL	1							
2	2	104200-55321	VALVE, TAPER	1							
3	2	104200-55330	SPRING, VALVE	1							
4	2	129100-55650	ELEMENT	1							
6	2	129100-55670	LEVER	1							
7	2	129100-55680	CUP, STRAINER	1							
8	2	129100-55690	RING, RETAINING	1							
9	2	129100-55700	SPRING	1							
10	2	104200-55750	SCREW, M4	1							
11	2	24311-000160	O-RING, 1AP16.0	1							
12	2	24311-240100	O-RING, 1AP10A	1							
13	2	24321-000650	O-RING, 1AG65.0	1							
14	1	124066-59100	CLIP, HOSE 8	1							
15	1	129150-59580	CAP	1							
16	1	26014-080852	BOLT, M8X 85	1							
17	1	103854-39140	BOLT, PIPE JOINT	1							
18	1	101304-59020	JOINT, PIPE 12	1							
19	1	124766-59050	CLIP, HOSE 12	2							
20	1	104200-59170	GASKET, 12	2							
21	1	129555-59510	PIPE, D13/7.5X180	1							
22	1	105025-59530	PIPE, FUEL D13X400	1							
23	1	23000-013000	CLAMP, 13	2							
24	1	121250-59550	PIPE, FUEL D8X120	3							
25	1	124066-59100	CLIP, HOSE 8	9							
26	1	23414-120000	GASKET, 12X1.0	2							
27	1	119840-59560	PIPE, FUEL RETURN	1							
28	1	129150-59580	CAP	1							
29	1	129100-59951	VALVE ASSY, CHECK	1							
37	1	119840-59570	JOINT	1							
38	1	124766-59050	CLIP, HOSE 12	2							
39	1	105025-59530	PIPE, FUEL D13X400	1							
40	1	129411-55690	SPACER	1							

Fig.14. GOVERNOR

Fig. 14 GOVERNOR

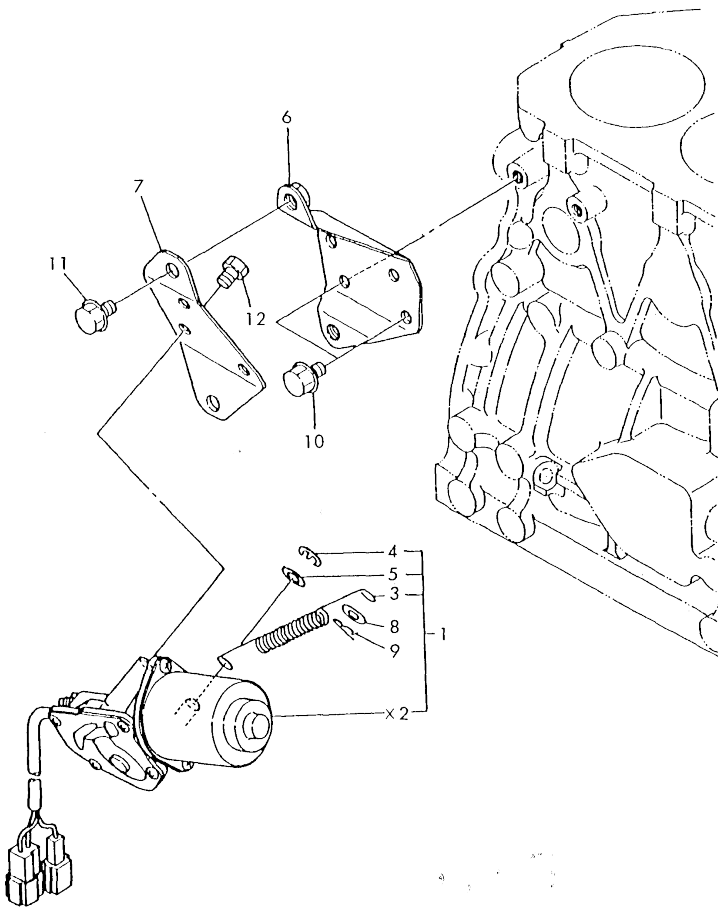


No.	Lev.	Parts No.	Description	Q'ty						I	R	
				(A)	(B)	(C)	(D)	(E)	(F)			
2	2	129155-51280	O-RING, S6									
3	2	129155-61011	CASE, GOVERNOR	2								
4	2	129155-61050	GASKET	1								
5	2	129155-61060	COVER, GOVERNOR CASE	1								
6	2	129155-61070	GASKET	1								
7	2	129155-61120	LINK, L=30 MARK 0	1								
8	2	129155-61130	LINK, L=31 MARK 1	1								
9	2	129155-61140	LINK, L=30.5 MARK 05	1								
10	2	129155-61201	WEIGHT ASSY,GOVERNOR	1								
14	2	129155-61341	SLEEVE	1								
15	2	129155-61350	SLEEVE, L=24.9	1								
16	2	129155-61360	SLEEVE, L=25.2	1								
17	2	129100-61400	SHAFT ASSY	1								
20	2	129155-61430	SPACER	1								
24	2	129100-61440	LEVER, CONTROL	1								
25	2	129155-61450	BOLT, LIMITER	1								
26	2	129155-61460	BOLT, IDLE	1								
27	2	129155-61480	SPACER ASSY	2								
32	2	129155-61490	SHAFT	1								
33	2	129500-61500	LEVER ASSY, GOVERNOR	1								
40	3	174307-51700	SHIM SET	2								
51	2	129155-61540	SHIFTER	1								
52	2	129100-61650	SPRING, CONTROLLER	1								
53	2	129255-61802	LEVER, STOP	1								
54	2	129155-61810	PIN	1								
55	2	129100-61821	SPRING, RETURN	1								
56	2	129155-61830	O-RING, S10	1								
57	2	129155-61950	BOLT	1								
58	2	124550-66370	NUT, M6	1								
59	2	22117-040000	WASHER, 4	1								
60	2	43400-500430	SEAL WASHER 10S	1								
61	2	24311-240100	O-RING, 1AP10A	1								
62	2	22272-000040	RING, E- 4	1								
63	2	22272-000060	RING, E- 6	2								
64	2	22287-120000	WASHER, 12	1								
65	2	22351-030016	PIN, SPRING 3.0X16	1								
66	2	22360-040000	PIN, SNAP 4	2								
67	2	43400-500390	SEAL WASHER 6S	1								
68	2	23887-100002	PLUG, 10	1								
69	2	26106-060202	BOLT, M6X 20 PLATED	6								
70	2	26366-080002	NUT, M8	1								
71	2	26022-050102	SCREW, M5X10	4								
72	2	26756-060002	NUT, LOCK M6	1								
73	2	26776-120002	NUT, LOCK M12	2								
74	2	43400-500450	SEAL WASHER 12S	2								
75	1	129155-61470	BOLT, CONTROL	1								
76	1	171353-61710	SPRING, GOVERNOR	1								
77	1	26687-120002	NUT, CAP M12	1								

N:Old $\frac{100}{100}$ New, Q:Old $\frac{100}{100}$ New, R:Old $\frac{100}{100}$ New, S:Old $\frac{100}{100}$ New, W:Add, Z:Discontinued, F:Interchangeable by set, K:Q'ty Change
 Copyright (C) YANMAR CO., LTD. All Rights Reserved.

Fig.15. ENGINE STOP DEVICE

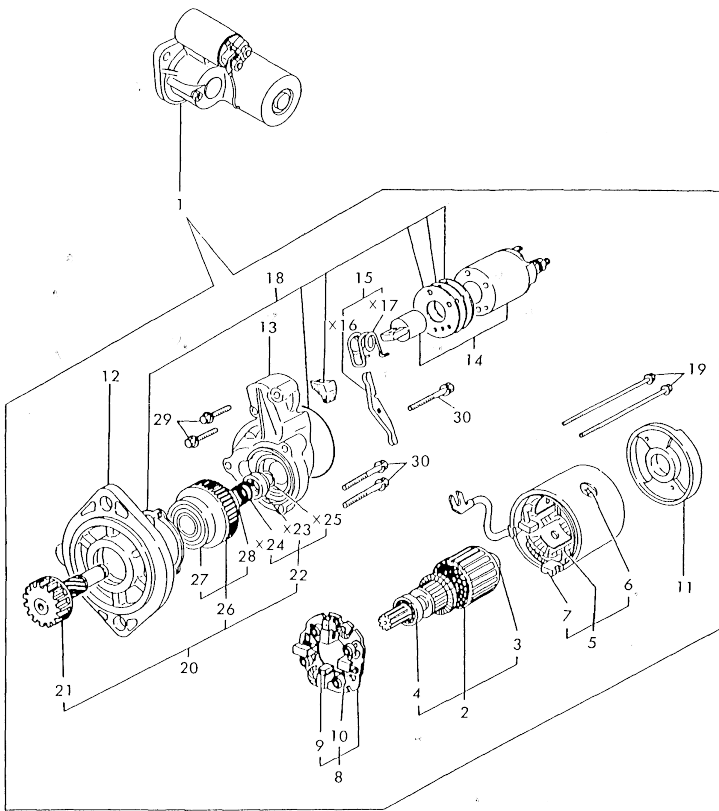
Fig. 15 ENGINE STOP DEVICE



No.	Lev.	Parts No.	Description	Q'ty						I	R
				(A)	(B)	(C)	(D)	(E)	(F)		
1	1	129505-66791	MOTOR ASSY, STOP	1							
3	2	129505-66830	SPRING, STOP MOTOR	1							
4	2	129566-66880	RING, SNAP	1							
5	2	129566-66890	WASHER	1							
6	1	129107-66810	BRACKET, STOP MOTOR	1							
7	1	129107-66820	BRACKET, STOP MOTOR	1							
8	1	22117-080000	WASHER, 8	1							
9	1	22360-080000	SNAP PIN 8	1							
10	1	26106-080122	BOLT, M8X 12 PLATED	2							
11	1	26106-080122	BOLT, M8X 12 PLATED	2							
12	1	26116-050102	BOLT, M5X 10 PLATED	3							

Fig.16. STARTING MOTOR

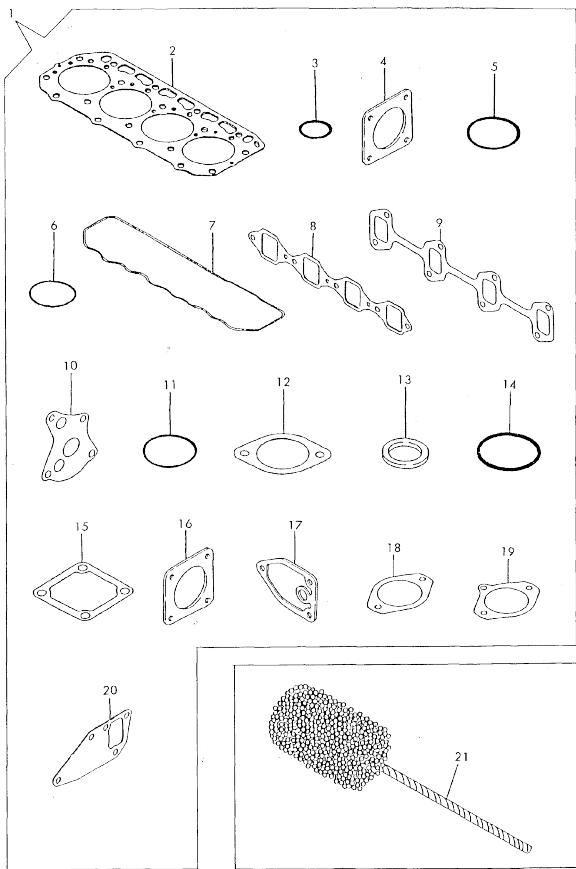
Fig. 16 STARTING MOTOR



No.	Lev.	Parts No.	Description	Q'ty						I	R
				(A)	(B)	(C)	(D)	(E)	(F)		
1	1	129400-77011	STARTER, S13-94A	1							
2	2	129400-77400	ARMATURE ASSY	1							
3	3	171008-77410	BEARING(1)	1							
4	3	171008-77420	BEARING(2)	1							
5	2	129400-77440	COIL ASSY, FIELD	1							
6	3	171008-77450	SCREW	4							
7	3	129400-77460	BRUSH (+)	2							
8	2	129400-77470	HOLDER ASSY, BRUSH	1							
9	3	129400-77480	BRUSH (-)	2							
10	3	129400-77490	SPRING, BRUSH	4							
11	2	129400-77510	COVER, REAR	1							
12	2	171008-77510	HOUSING ASSY, GEAR	1							
13	2	129400-77520	HOUSING, CENTER	1							
14	2	129400-77530	SWITCH ASSY,MAGNETIC	1							
15	2	171008-77540	LEVER SET, SHIFT	1							
18	2	129400-77570	COVER KIT, DUST	1							
19	2	129400-77640	BOLT, THROUGH	2							
20	2	171008-77650	PINION ASSY	1							
21	3	171008-77660	SHAFT, PINION	1							
22	3	171008-77670	STOPPER SET, PINION	1							
26	3	171008-77720	CLUTCH ASSY	1							
27	4	171008-77730	BALL BEARING (3)	1							
28	4	171008-77740	BALL BEARING (4)	1							
29	2	26106-060322	BOLT, M6X 32 PLATED	2							
30	2	26106-060402	BOLT, M6X 40 PLATED	3							
31	1	129410-77330	ADJUSTER	1							W
32	1	26014-080252	BOLT, M8X 25	1							W
33	1	121450-01570	STUD	1							W
34	1	171375-44300	PULLEY ASSY, TENSION	1							W
35	2	171011-44301	PULLEY, TENSION	1							W
36	2	171375-44320	BRACKET, PULLEY	1							W
37	2	26706-100002	NUT, M10	1							W
38	1	26366-100002	NUT, M10	1							W

Fig.17. GASKET SET & TOOL(OPTIONAL)

Fig. 17 GASKET SET (OPTIONAL PARTS)



No.	Lev.	Parts No.	Description	Q'ty						I	R
				(A)	(B)	(C)	(D)	(E)	(F)		
1	1	729583-92600	GASKET SET	1							1
2	2	129555-01332	GASKET, HEAD	1							
3	2	24311-000320	O-RING, 1AP32.0	2							
4	2	124240-01883	GASKET	1							
5	2	121850-51960	O-RING	1							
6	2	24341-000500	O-RING, 1AS50.0	1							
7	2	129550-11310	GASKET, BONNET	1							
8	2	129550-12111	GASKET, MANIFOLD	1							
9	2	129550-13110	GASKET	1							
10	2	129150-32020	GASKET, PUMP	1							
11	2	24321-000600	O-RING, 1AG60.0	1							
12	2	129795-49551	GASKET	1							
13	2	129150-49811	GASKET, THERMOSTAT	1							
14	2	24321-000650	O-RING, 1AG65.0	1							
15	2	129150-77511	GASKET	1							
16	2	129400-13200	GASKET, SILENCER	1							
17	2	129150-35111	GASKET	1							
18	2	121023-26061	GASKET	1							
19	2	171353-26080	GASKET	1							
20	2	129150-42020	GASKET, WATER PUMP	1							
21	1	129400-92420	FLEX HORN	1							

Remarks
(1) OPTIONAL PART.

Parts No. Index

Parts No.	Fig. No.	Ref. No.	Parts No.	Fig. No.	Ref. No.	Parts No.	Fig. No.	Ref. No.	Parts No.	Fig. No.	Ref. No.
101304-59020	13	18	124101-49530	10	23	129150-02450	7	7	129155-11270	5	27
103338-11190	5	16	124160-01751	2	4	129150-02800	1	11	129155-49800	10	25
103854-39140	13	17		4	7	129150-02870	1	23	129155-51020	11	84
104200-55321	13	2	124160-01910	1	5	129150-02930	1	14	129155-51050	11	5
104200-55330	13	3	124160-11360	4	11	129150-02940	1	26	129155-51060	11	6
104200-55750	13	10	124160-39140	9	42	129150-03020	4	2	129155-51140	11	11
104200-59170	13	20	124160-39450	9	41	129150-03070	4	4	129155-51180	11	13
105025-59530	13	22	124240-01871	2	6	129150-03080	4	3	129155-51200	11	15
		39	124240-01883	2	7	129150-03090	4	13	129155-51250	11	20
114250-53080	12	5		17	4	129150-11050	5	4	129155-51270	11	22
114250-53120	12	9	124460-11340	5	17	129150-11170	5	6	129155-51280	11	23
114250-53130	12	10	124465-44950	10	37	129150-11230	5	32		14	2
114250-53140	12	11	124550-51350	11	29	129150-11280	5	28	129155-51320	11	27
114250-53210	12	12	124550-51370	11	30	129150-11370	5	20	129155-51340	11	28
114250-53400	12	13	124550-59820	9	43	129150-11750	5	31	129155-51370	11	31
119256-44760	10	21	124550-66370	14	58	129150-14200	7	1	129155-51380	11	32
119260-07900	5	40	124736-07900	5	41	129150-21200	8	3	129155-51390	11	33
119260-34810	9	18	124766-59050	13	19	129150-22300	8	18	129155-51410	11	35
119625-11870	5	35			38	129150-23600	8	30	129155-51420	11	87
119625-11880	5	36	124950-51190	11	14	129150-23610	8	32	129155-51450	11	36
119625-11900	5	37	129100-01580	3	11	129150-32020	9	15	129155-51521	11	43
119840-59560	13	27		8	6		17	10	129155-51530	11	44
119840-59570	13	37			10	129150-35041	9	21	129155-51540	11	45
119865-35300	9	30	129100-01640	3	12	129150-35091	9	22	129155-51550	11	46
119865-35320	9	32	129100-01790	3	4	129150-35101	9	27	129155-51570	11	49
119865-35330	9	33	129100-11100	5	12	129150-35111	9	28	129155-51580	11	50
119865-35350	9	37	129100-11110	5	13		17	17	129155-51591	11	51
120130-11160	5	5	129100-23910	8	34	129150-35150	9	29	129155-51600	11	52
120130-49350	10	29	129100-49050	10	33	129150-35340	9	34	129155-51790	11	75
121023-26061	2	25	129100-51300	11	24	129150-35350	9	38	129155-51930	11	77
	17	18	129100-52100	11	91	129150-39150	9	47	129155-51940	11	78
121023-26070	2	26	129100-55621	13	1	129150-39180	9	48	129155-52020	11	90
121100-22400	8	19	129100-55650	13	4	129150-42001	10	1	129155-61011	14	3
121111-21501	8	11	129100-55670	13	6	129150-42020	10	15	129155-61050	14	4
		36	129100-55680	13	7		17	20	129155-61060	14	5
121250-59550	13	24	129100-55690	13	8	129150-42051	10	3	129155-61070	14	6
121400-11340	5	18	129100-55700	13	9	129150-42120	10	4	129155-61120	14	7
121450-01560	2	3	129100-59951	13	29	129150-42200	10	5	129155-61130	14	8
121450-01570	16	33	129100-61400	14	17	129150-42300	10	8	129155-61140	14	9
121450-42450	10	35	129100-61440	14	24	129150-42311	10	9	129155-61201	14	10
121550-23200	8	29	129100-61650	14	52	129150-42320	10	10	129155-61341	14	14
121850-11860	5	7	129100-61821	14	55	129150-42330	10	11	129155-61350	14	15
121850-21680	8	9	129107-44900	10	36	129150-49811	10	26	129155-61360	14	16
121850-42240	10	6	129107-66810	15	6		17	13	129155-61430	14	20
121850-51960	2	9	129107-66820	15	7	129150-59130	12	23	129155-61450	14	25
	17	5	129108-53000	12	2	129150-59580	13	15	129155-61460	14	26
122117-51560	11	47	129120-42350	10	19			28	129155-61470	14	75
122710-51090	11	7	129120-77501	6	9	129150-77511	6	10	129155-61480	14	27
124066-59100	13	14	129150-01200	1	20		17	15	129155-61490	14	32
		25	129150-02020	1	10	129155-11260	5	26	129155-61540	14	51

Parts No. Index

Parts No.	Fig. No.	Ref. No.
129155-61810	14	54
129155-61830	14	56
129155-61950	14	57
129156-51910	11	76
129158-52020	11	93
129158-52060	11	95
129158-52070	11	96
129158-52080	11	97
129158-52090	11	98
129158-52160	11	99
129158-52250	11	100
129158-52260	11	101
129158-52270	11	102
129158-52350	11	103
129158-52360	11	104
129158-52370	11	105
129158-52380	11	106
129189-02800	2	31
129189-02990	2	30
129189-14100	7	5
129189-25050	7	8
129189-25060	7	11
129189-25100	7	9
129189-25900	11	109
129189-26000	2	21
129189-26200	2	23
129189-32000	9	1
129189-91980	2	33
129255-61802	14	53
129400-01730	3	6
129400-11300	4	9
129400-11350	4	1
129400-12100	6	1
129400-13101	6	6
129400-13200	6	12
	17	16
129400-77011	16	1
129400-77400	16	2
129400-77440	16	5
129400-77460	16	7
129400-77470	16	8
129400-77480	16	9
129400-77490	16	10
129400-77510	16	11
129400-77520	16	13
129400-77530	16	14
129400-77570	16	18
129400-77640	16	19
129400-92420	17	21
129403-21400	8	35

Parts No.	Fig. No.	Ref. No.
129410-77330	16	31
129411-55690	13	40
129450-42290	10	18
129500-22080	8	12
129500-59910	12	24
129500-59920	12	28
129500-59930	12	32
129500-59940	12	36
129500-61500	14	33
129505-66791	15	1
129505-66830	15	3
129506-51040	11	4
129506-51100	11	8
129535-34800	9	17
129535-34811	9	19
129550-11290	5	23
129550-11310	4	10
	17	7
129550-12111	6	2
	17	8
129550-13110	6	5
	17	9
129550-14400	7	2
129550-39450	9	46
129550-59120	12	20
129555-01332	1	21
	17	2
129555-11241	5	22
129555-51400	11	34
129555-51500	11	41
129555-51700	11	71
129555-51710	11	72
129555-51750	11	73
129555-51760	11	74
129555-59510	13	21
129566-66880	15	4
129566-66890	15	5
129795-01780	3	14
129795-01800	2	5
129795-01950	2	8
129795-02411	1	19
129795-11120	5	14
129795-11180	5	15
129795-21661	8	8
129795-49551	10	24
	17	12
171008-77410	16	3
171008-77420	16	4
171008-77450	16	6
171008-77510	16	12

Parts No.	Fig. No.	Ref. No.
171008-77540	16	15
171008-77650	16	20
171008-77660	16	21
171008-77670	16	22
171008-77720	16	26
171008-77730	16	27
171008-77740	16	28
171011-44301	16	35
171051-01921	1	4
171301-01640	3	2
171301-21650	8	7
171340-44740	10	20
171353-01501	2	1
171353-01520	2	2
171353-26050	2	22
171353-26080	2	27
	17	19
171353-61710	14	76
171375-44300	16	34
171375-44320	16	36
174100-54120	11	21
174307-51170	11	12
174307-51560	11	48
174307-51700	14	40
22117-040000	14	59
22117-080000	15	8
22217-060000	11	79
22217-120000	11	110
22272-000040	14	62
22272-000060	14	63
22287-120000	14	64
22351-030016	14	65
22351-050010	11	80
22351-060012	5	21
22360-040000	14	66
22360-080000	15	9
22512-070140	7	6
	8	4
23000-013000	13	23
23000-016000	10	34
23414-080000	1	29
23414-100000	9	45
23414-120000	13	26
23871-010000	1	6
23871-030000	1	30
	5	8
	6	4
23887-100002	14	68
24101-060064	2	24
24101-063030	2	32

Parts No.	Fig. No.	Ref. No.
24101-063034	11	81
24311-000050	10	30
24311-000120	4	12
24311-000160	2	10
	9	39
	13	11
24311-000320	2	11
	4	8
	17	3
24311-240100	9	20
	13	12
	14	61
24321-000600	2	34
	17	11
24321-000650	13	13
	17	14
24341-000160	11	82
24341-000240	3	5
24341-000500	4	5
	17	6
26014-080252	16	32
26014-080852	13	16
26022-050102	11	85
	14	71
26022-060162	11	86
26106-060142	10	12
26106-060202	10	13
	14	69
26106-060322	16	29
26106-060402	16	30
26106-060552	10	22
26106-080122	1	31
	2	12
	15	10
		11
26106-080142	5	42
26106-080162	1	22
	2	13
		14
		35
	3	7
	4	6
26106-080202	9	40
26106-080252	3	8
	5	38
	10	27
26106-080302	3	15
26106-080352	3	16
	6	3
		11

Parts No. Index

Parts No.	Fig. No.	Ref. No.
26106-080352	9	26
26106-080452	2	15
	3	9
26106-080502	3	10
	5	39
	7	12
26106-080552	2	16
	10	16
26106-080602	10	17
26106-080652	10	28
26106-080802	6	7
26106-080852	2	17
26106-100452	2	28
26116-050102	15	12
26116-050302	11	83
26116-060142	10	14
26216-060202	5	11
26216-080222	6	8
26226-080182	5	33
26366-060002	5	19
26366-080002	2	18
	14	70
26366-100002	16	38
26450-060252	9	16
26450-080282	2	29
26687-120002	14	77
26706-100002	16	37
26716-060002	11	42
26716-120002	11	111
26756-060002	14	72
26756-080002	5	34
26776-120002	14	73
27231-500000	1	7
27241-100000	5	25
27241-120000	1	8
27241-220000	5	9
27241-300000	1	9
27241-400000	5	10
27310-080001	5	16 -1
43400-500390	14	67
43400-500410	2	19
		20
	9	44
43400-500430	14	60
43400-500450	14	74
43400-500490	11	88
711100-51540	11	17
729100-22500	8	14
729108-53100	12	1
729402-01540	3	1

Parts No.	Fig. No.	Ref. No.
729402-11650	5	29
729500-01560	1	1
729500-21700	8	1
729500-22900	8	20
729550-23700	8	26
729555-22950	8	22
729583-11700	5	1
729583-14580	7	3
729583-51360	11	1
729583-92600	17	1

Parts No.	Fig. No.	Ref. No.
-----------	----------	----------

Parts No.	Fig. No.	Ref. No.
-----------	----------	----------