

0CD10-M37503EN

# PREFACE

1. This Parts Catalog is the 4th edition of 4TNA78TL-RFA Diesel Engine for FURUKAWA KIKAI.

Pub. No. : 000Y00D3753

Published : January, 1992

2. Model name

Engine model	Vehicle		Vehicle made by
	Products	Model name	
4TNA78TL-RFA	WHEEL LOADER	—	FURUKAWA KIKAI

## Directions for the Parts Catalog.

- The parts stipulated in this Parts Catalog are not necessarily standard equipped parts.
- Parts may change without prior notice.
- The following is an example of the Parts Catalog format.

REF.	LEV.	PARTS NO.	DESCRIPTION	Q'TY						I	R
				(A)	(B)	(C)	(D)	(E)	(F)		
1	1	729595-51390	FUEL INJECTION PUMP	1	1	1	1	1			1
1-1	1	729595-51391	FUEL INJECTION PUMP	1	1	1	1	1		N	1
		(A=E00185) (B=E00200)									
3	2	26022-060162	SCREW M 6X 16	9	9	9	9	9			
3-1	2	26022-060162	SCREW M 6X 16	4	4	4	4	4		K	
		(A=E00156) (B=E00156) (C=E00156) (D=E00156) (E=E00156)									
4	2	129470-51040	CAMSHAFT	1	1	1	1	1			
5	2	122710-51050	BEARING, ROLLER	2	2	2	2	2			
6	2	129470-51060	RETAINER	1	1	1	1	1			

Remarks
(1) BOOST COMPEMSATOR TYPE. OPTIONAL PART, TO E00155,(4JH-DT, 4JH-DTZ

### ① Ref. No.

The Ref. No. listed may not be in accordance with the illustration Ref. No.

(Ex.) Illustration No.

List Ref No.

1 1 (Before change) → 1-1 (After change)

For interchangeable symbols N, R and K, illustrations for new parts may be abbreviated.

### ② Lev. (Level)

Level indication

The numbers below indicate the level of relativity towards the main part.

1 ---- Main parts (Assembly parts)

2 ---- Sub component included in " 1 ".

3 ---- Sub component included in " 2 ".

Note) Parts that are not for sale are partially illustrated but not listed.

### ③ Interchangeability Mark

When a part change takes place, one of the following interchangeability symbols is indicated beside the part.

Symbol	Interchangeability	Contents note
N	Old $\begin{matrix} \leftarrow \text{Yes} \\ \text{No} \rightarrow \end{matrix}$ New	New Part is interchangeable for Old Part but Old Part is not interchangeable for New Part.
Q	Old $\begin{matrix} \leftarrow \text{No} \\ \text{Yes} \rightarrow \end{matrix}$ New	New Part is not interchangeable for Old Part but Old Part is interchangeable for New Part.
R	Old $\begin{matrix} \leftarrow \text{Yes} \\ \text{Yes} \rightarrow \end{matrix}$ New	New/ Old Parts are both interchangeable.
S	Old $\begin{matrix} \leftarrow \text{No} \\ \text{No} \rightarrow \end{matrix}$ New	New/ Old Parts are both not interchangeable.
W		Part newly added.
Z		Part discontinued.
F		Not interchangeable by a single part but interchangeable together with related parts.
K		Changes only for used parts quantities.

### ④ Effective Machine No.

When a part changes, the effective Machine No. will be indicated in the (A)-(F) column.

Product Symbol	Product No.	Product Symbol	Product No.
C	Clutch No. Compressor No.	F	Machine No. (Agricultural Equip.)
D	Drive No.	M	Machine No.
E	Engine No.		

Note 1) A date may follow the symbol. (Ex.) 1996.01

Note 2) "XXXXX" and "ZZZZZ" are for parts that could not be predicted or for engine models that could not be identified.

Note 3) (A=E00185) is the E (Engine Serial Number) for the column (A) model (in this case 4JH-DT) after the parts design change.

### ⑤ Remarks Mark

Figures or alphabets (symbols) are entered in the remarks column.

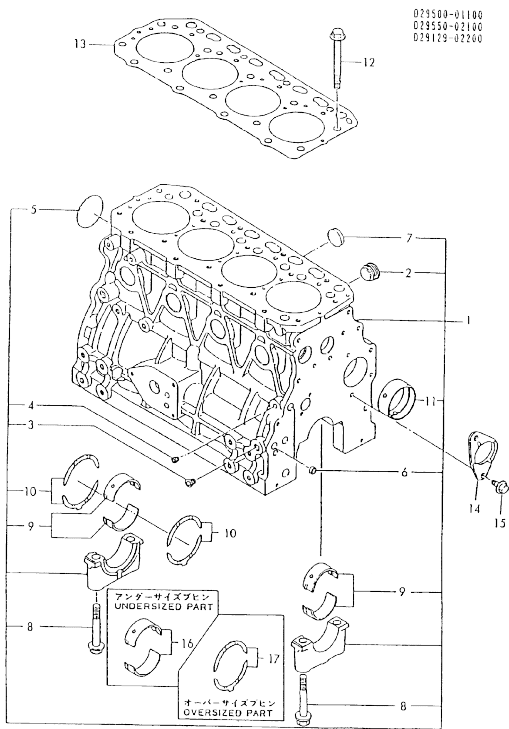
The comments (remarks) on parts that are indicated at the bottom of the illustration are the same symbols as those stated above.

## Contents

Fig. No.	Fig. Name	Fig. No.	Fig. Name
	ENGINE 4TNA78TL-RFA	25.	GENERATOR(COMPONENT PARTS)
1.	CYLINDER BLOCK	26.	GASKET SET(OPTIONAL)
2.	GEAR HOUSING	27.	SPECIAL TOOL(OPTIONAL)
3.	FLYWHEEL HOUSING		
4.	LUB. OIL SUMP		
5.	BONNET		
6.	CYLINDER HEAD		
7.	AIR CLEANER & SILENCER		
8.	SUCTION & EXHAUST MANIFOLD		
9.	CAMSHAFT & IDLE GEAR		
10.	TURBO-CHARGER(COMPONENT PARTS)		
11.	CRANKSHAFT & FLYWHEEL		
12.	PISTON & CONNECTING ROD		
13.	LUB. OIL SYSTEM		
14.	LUB. OIL PIPES		
15.	COOLING WATER SYSTEM		
16.	THERMOSTAT		
17.	COOLING WATER PIPES		
18.	FUEL INJECTION PUMP		
19.	FUEL INJECTION DEVICE		
20.	FUEL OIL SYSTEM		
21.	FUEL OIL RETURN PIPES		
22.	GOVERNOR		
23.	ENGINE STOP		
24.	STARTING MOTOR(COMPONENT PARTS)		

OCD10-M37503

Fig.1. CYLINDER BLOCK



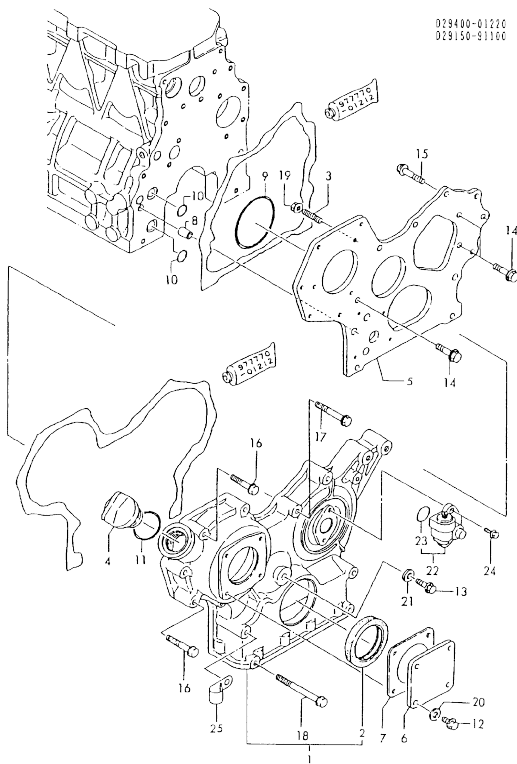
No.	Lev.	Parts No.	Description	Q'ty						I	R
				(A)	(B)	(C)	(D)	(E)	(F)		
1	1	729500-01560	BLOCK ASSY, CYLINDER	1							
2	2	171051-01921	PLUG, NPTF1	1							
3	2	124160-01910	PLUG, PT1/4	2							
4	2	23871-010000	PLUG, R01	1							
5	2	27231-500000	PLUG 50	1							
6	2	27241-120000	PLUG, 12	2							
7	2	27241-300000	PLUG 30	8							
8	2	129150-02020	BOLT, METAL CAP	10							
9	2	129150-02800	BEARING, MAIN	5							
10	2	129150-02930	BEARING, THRUST	2							
11	2	129795-02411	BUSH, CAMSHAFT	1							
12	1	129150-01200	BOLT, HEAD	18							
13	1	129555-01332	GASKET, HEAD	1							\$
14	1	129150-02450	BEARING, THRUST	1							Z
(A=EXXX)											
15	1	26106-080162	BOLT, M8X 16 PLATED	2							
16	1	129150-02870	BEARING, 0.25 US	5							1
17	1	129150-02940	BEARING, THRUST 0.25	1							2

Remarks  
 (1) UNDER-SIZE(U.S=0.25)PART.  
 (2) OVER-SIZE(O.S=0.25)PART.  
 (S) THESE PARTS ARE SOLD BY  
 FIG.26,REF NO.1-2.

N:Old  $\frac{100}{100}$  New, Q:Old  $\frac{100}{100}$  New, R:Old  $\frac{100}{100}$  New, S:Old  $\frac{100}{100}$  New, W:Add, Z:Discontinued, F:Interchangeable by set, K:Qty Change  
 Copyright (C) YANMAR CO., LTD. All Rights Reserved.

OCD10-M37503

Fig.2. GEAR HOUSING



029400-01220  
029150-51160

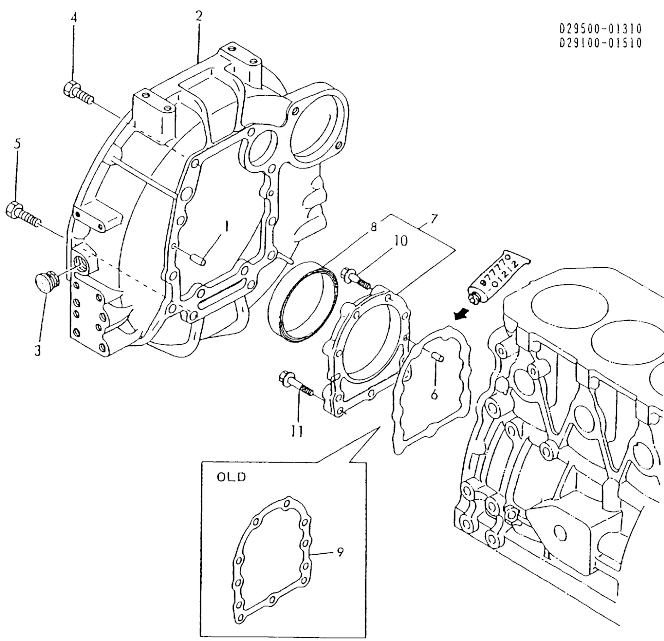
No.	Lev.	Parts No.	Description	Q'ty						I	R
				(A)	(B)	(C)	(D)	(E)	(F)		
1	1	719810-01500	CASE ASSY, GEAR	1							W
(A=1991.10)											
2	2	129795-01800	SEAL, OIL	1							
3	1	121450-01560	STUD, M8X22	3							
4	1	124160-01751	COVER, FILLER	1							
5	1	129400-01520	FLANGE, GEAR CASE	1							
6	1	124240-01871	COVER	1							
7	1	124240-01882	GASKET	1							\$
7-1	1	124240-01883	GASKET	1							N \$
(A=E05034)											
8	1	129795-01950	PIPE, KNOCK L=18	2							
9	1	121850-51960	O-RING	1							\$
10	1	24311-000160	O-RING, 1AP16.0	2							
11	1	24311-000320	O-RING, 1AP32.0	1							\$
12	1	26106-080122	BOLT, M8X 12 PLATED	4							
13	1	26106-080162	BOLT, M8X 16 PLATED	1							
14	1	26106-080162	BOLT, M8X 16 PLATED	3							
15	1	26106-080202	BOLT, M8X 20 PLATED	2							
16	1	26106-080452	BOLT, M8X 45 PLATED	6							
17	1	26106-080552	BOLT, M8X 55 PLATED	3							
18	1	26106-080852	BOLT, M8X 85 PLATED	4							
19	1	26366-080002	NUT, M8	3							
20	1	43400-500410	SEAL WASHER 8	4							
21	1	43400-500410	SEAL WASHER 8	1							
22	1	129150-91400	GEAR	1							
23	2	24341-000240	O-RING, 1AS24.0	1							
24	1	26106-060162	BOLT, M6X 16 PLATED	2							
25	1	129150-03100	RETAINER, PIPE	1							W
(A=E0000)											

Remarks  
 (\$) THESE PARTS ARE SOLD BY  
 FIG.26, REF NO. 1-2.

N:Old  $\frac{100}{100}$  New, Q:Old  $\frac{100}{100}$  New, R:Old  $\frac{100}{100}$  New, S:Old  $\frac{100}{100}$  New, W:Add, Z:Discontinued, F:Interchangeable by set, K:Qty Change  
 Copyright (C) YANMAR CO., LTD. All Rights Reserved.

OCD10-M37503

Fig.3. FLYWHEEL HOUSING



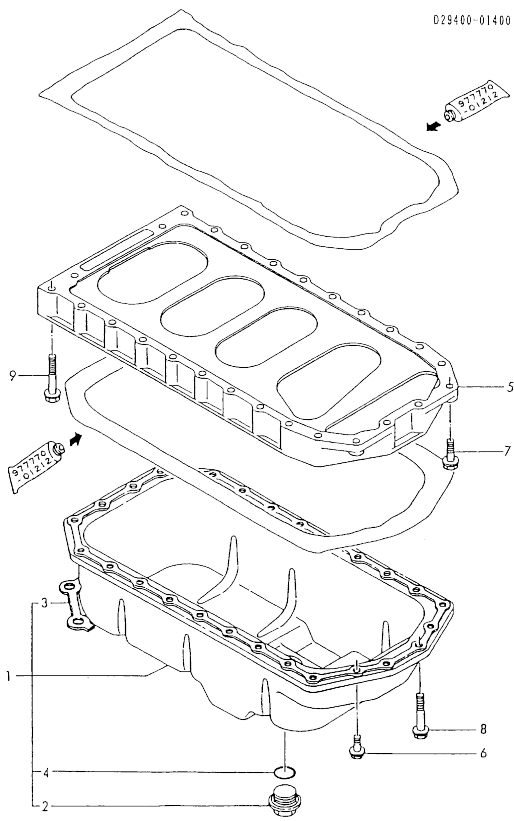
No.	Lev.	Parts No.	Description	Q'ty						I	R
				(A)	(B)	(C)	(D)	(E)	(F)		
1	1	129100-01580	PIN, M8X16		2						
2	1	171440-01600	HOUSING, FLYWHEEL		1						
3	1	119620-01750	CAP		1						
4	1	26206-100252	BOLT, M10X 25 PLATED		6						
5	1	26206-100302	BOLT, M10X 30 PLATED		4						
6	1	129100-01580	PIN, M8X16		2						
7	1	129100-01640	CASE ASSY, OIL SEAL		1						W
8	2	129795-01780	SEAL, OIL		1						
9	1	129150-01660	GASKET		1						Z \$
10	1	26106-080302	BOLT, M8X 30 PLATED		6						
11	1	26106-080352	BOLT, M8X 35 PLATED		3						

Remarks  
 (S) THESE PARTS ARE SOLD BY  
 FIG.26,REF NO.1-2.

N:Old  $\frac{100}{100}$  New. Q:Old  $\frac{100}{100}$  New. R:Old  $\frac{100}{100}$  New. S:Old  $\frac{100}{100}$  New. W:Add. Z:Discontinued. F:Interchangeable by set. K:Q'ty Change  
 Copyright (C) YANMAR CO., LTD. All Rights Reserved.

OCD10-M37503

Fig.4. LUB. OIL SUMP



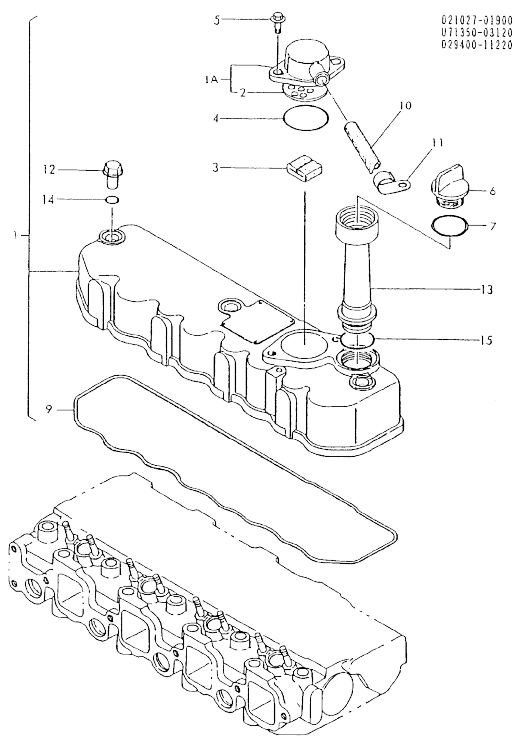
No.	Lev.	Parts No.	Description	Q'ty						I	R
				(A)	(B)	(C)	(D)	(E)	(F)		
1	1	729488-01540	SUMP ASSY, OIL	1							
1-1	1	729402-01540	SUMP ASSY, OIL	1							N
		(A=E05357)									
1-2	1	729577-01720	SUMP ASSY, OIL	1							R
		(A=*1991.)									
1-3	1	729402-01540	SUMP ASSY, OIL	1							R
		(A=*1991.)									
2	2	171301-01640	PLUG, 22	1							
3	2	129100-01790	RETAINER	2							
4	2	24341-000240	O-RING, 1AS24.0	1							
5	1	129400-01730	SPACER, OIL SUMP	1							
6	1	26106-080162	BOLT, M8X 16 PLATED	4							
7	1	26106-080252	BOLT, M8X 25 PLATED	2							
8	1	26106-080452	BOLT, M8X 45 PLATED	20							
9	1	26106-080502	BOLT, M8X 50 PLATED	4							

N:Old  $\frac{100}{100}$  New, Q:Old  $\frac{100}{100}$  New, R:Old  $\frac{100}{100}$  New, S:Old  $\frac{100}{100}$  New, W:Add, Z:Discontinued, F:Interchangeable by set, K:Qty Change  
 Copyright (C) YANMAR CO., LTD. All Rights Reserved.



OCD10-M37503

Fig.5. BONNET



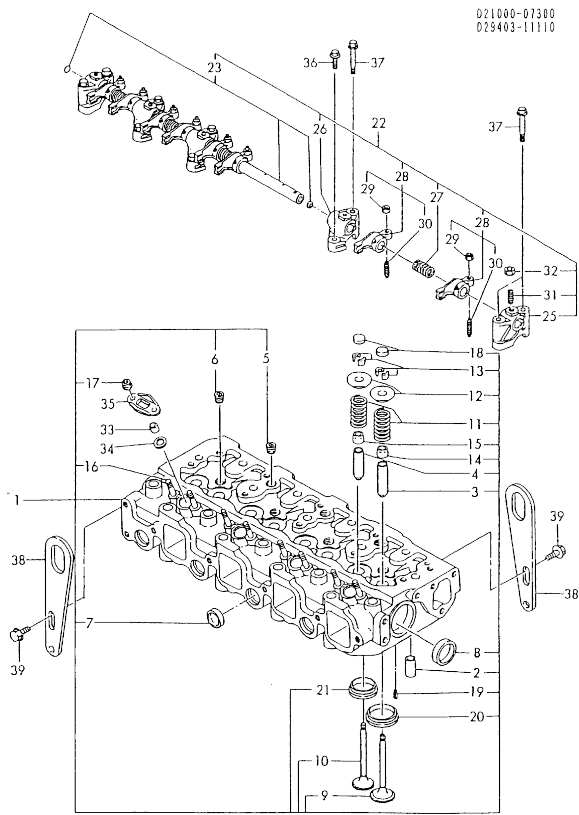
No.	Lev.	Parts No.	Description	Q'ty						I	R
				(A)	(B)	(C)	(D)	(E)	(F)		
1	1	129400-11350	BONNET ASSY, HEAD	1							W
		(A=E03379)									
1A	2	129150-03010	COVER ASSY	1							
2	3	129150-03080	PLATE, BAFFLE	1							
3	2	129150-03070	BAFFLE, BREATHER	1							
4	2	24341-000500	O-RING, 1AS50.0	1							\$
5	2	26106-080162	BOLT, M8X 16 PLATED	2							
6	2	124160-01751	COVER, FILLER	1							
7	2	121420-01760	O-RING	1							
7-1	2	24311-000320	O-RING, 1AP32.0	1							N \$
		(A=E03379)									
9	2	129550-11310	GASKET, BONNET	1							\$
10	1	171350-03090	PIPE, BREATHER 900	1							
11	1	129150-03100	RETAINER, PIPE	1							Z
		(A=E03379)									
12	1	124160-11360	KNOB	3							
13	1	121027-11742	PIPE	1							
14	1	24311-000120	O-RING, 1AP12.0	3							
15	1	24321-000350	O-RING, 1AG35.0	1							

Remarks  
(S) THESE PARTS ARE SOLD BY  
FIG.26,REF NO.1-2.

N:Old  $\frac{100}{100}$  New, Q:Old  $\frac{100}{100}$  New, R:Old  $\frac{100}{100}$  New, S:Old  $\frac{100}{100}$  New, W:Add, Z:Discontinued, F:Interchangeable by set, K:Q'ty Change  
Copyright (C) YANMAR CO., LTD. All Rights Reserved.

OCD10-M37503

Fig.6. CYLINDER HEAD



021000-07300  
029403-11110

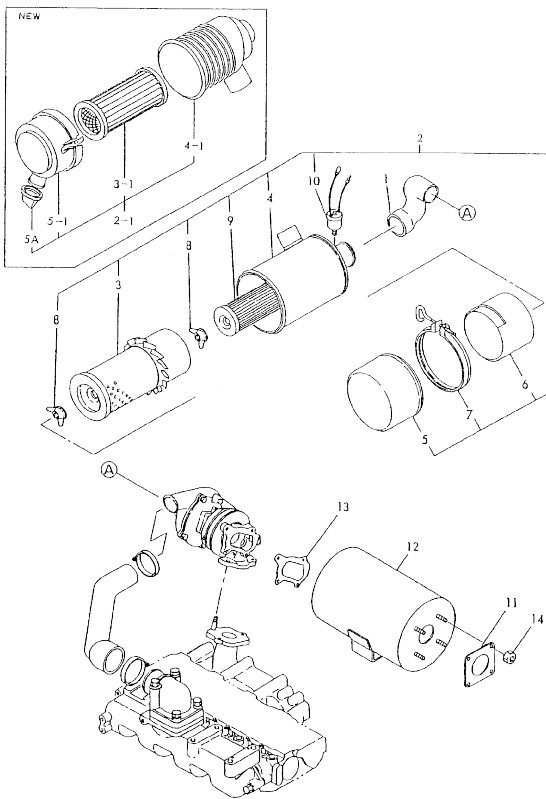
No.	Lev.	Parts No.	Description	Q'ty						I	R
				(A)	(B)	(C)	(D)	(E)	(F)		
1	1	729403-11700	HEAD ASSY, CYLINDER	1							
2	2	129150-11050	PIECE	4							
3	2	120130-11860	GUIDE, VALVE	4							1
4	2	129150-11810	GUIDE, VALVE	4							1
5	2	121850-11860	PLUG, PT1/4	3							
6	2	23871-030000	PLUG, R03	4							
7	2	27241-220000	PLUG, 22	4							
8	2	27241-400000	PLUG, 40	2							
9	2	129100-11100	VALVE, INTAKE	4							
10	2	129100-11130	VALVE, EXHAUST	4							
11	2	129795-11120	SPRING, VALVE	8							
12	2	129795-11180	RETAINER, SPRING	8							
13	2	103338-11190	COTTER	8							
13-1	2	27310-080001	COTTER, 8	8							R
(A=EXXXXX)											
14	2	124460-11340	SEAL, VALVE STEM	4							
15	2	121400-11340	SEAL, VALVE STEM	4							
16	2	26216-060202	STUD, M6X 20	8							
17	2	26366-060002	NUT, M6	8							
18	2	129150-11370	CAP, VALVE	8							
19	2	22351-060012	PIN, SPRING 6.0X12	2							
20	2	129470-11080	SEAT, INTAKE VALVE	4							
21	2	129470-11090	SEAT, EXHAUST VALVE	4							
22	1	129555-11241	SHAFT ASSY, ROCKER	1							
23	2	129550-11290	SHAFT, ROCKER ARM	1							
25	2	129155-11260	SUPPORT, ROCKER ARM	2							
26	2	129155-11270	SUPPORT, ROCKER ARM	3							
27	2	129150-11280	SPRING	4							
28	2	729150-11650	ARM ASSY, ROCKER	8							
28-1	2	729402-11650	ARM ASSY, ROCKER	8							N
(A=E05357)											
29	3	129150-11750	NUT, M8	8							
30	3	129150-11230	SCREW, VALVE ADJUST	8							
31	2	26226-080182	STUD, M8X 18	3							
32	2	26756-080002	NUT, LOCK M8	3							
33	1	119625-11870	PROTECTOR, NOZZLE	4							
34	1	119625-11880	SEAT, NOZZLE	4							
35	1	119625-11900	RETAINER, NOZZLE	4							
36	1	26106-080252	BOLT, M8X 25 PLATED	3							
37	1	26106-080502	BOLT, M8X 50 PLATED	7							
38	1	124736-07900	LIFTER	2							
39	1	26106-080142	BOLT, M8X 14 PLATED	4							

Remarks  
(1) REPAIR PART.

N:Old  $\frac{100}{100}$  New, Q:Old  $\frac{100}{100}$  New, R:Old  $\frac{100}{100}$  New, S:Old  $\frac{100}{100}$  New, W:Add, Z:Discontinued, F:Interchangeable by set, K:Q'ty Change  
Copyright (C) YANMAR CO., LTD. All Rights Reserved.

OCD10-M37503

Fig.7. AIR CLEANER & SILENCER



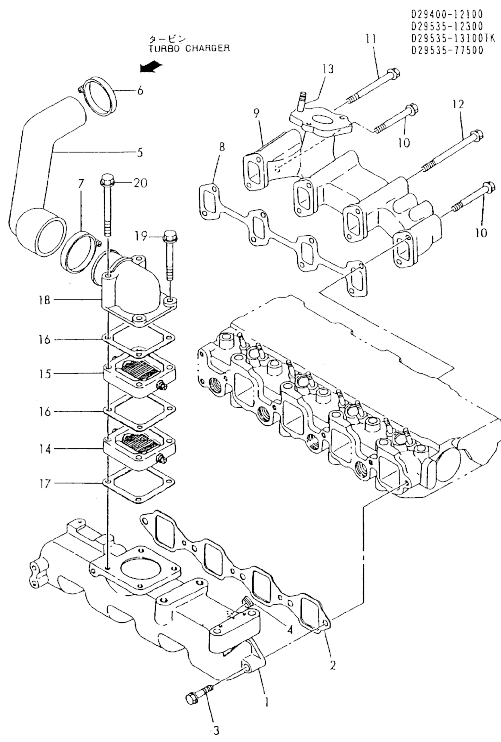
No.	Lev.	Parts No.	Description	Q'ty						I	R
				(A)	(B)	(C)	(D)	(E)	(F)		
1	1	121505-12210	HOSE, AIR CLEANER	1							
2	1	129535-12500	CLEANER ASSY, AIR	1							
2-1	1	129135-12501	CLEANER ASSY, AIR	1							N
(A=1991.09)											
3	2	121420-12511	ELEMENT	1							
3-1	2	119808-12520	ELEMENT	1							S
(A=1991.09)											
4	2	171061-12520	BODY, CLEANER	1							
4-1	2	119808-12510	BODY, AIR CLEANER	1							S
(A=1991.09)											
5	2	121420-12530	CAP, AIR CLEANER	1							
5-1	2	119808-12530	COVER	1							S
(A=1991.09)											
5A	2	119808-12540	VALVE, UNLOADER	1							W
(A=1991.09)											
6	2	121420-12540	SCARF, BAFFLE	1							Z
(A=1991.09)											
7	2	121420-12550	CLAMP ASSY	1							Z
(A=1991.09)											
8	2	121420-12561	NUT, WING	2							Z
(A=1991.09)											
9	2	121422-12570	ELEMENT	1							Z
(A=1991.09)											
10	2	129535-12800	INDICATOR	1							Z
(A=1991.09)											
11	1	129400-13200	GASKET, SILENCER	1							\$
11-1	1	129400-13201	GASKET, SILENCER	1							N \$
(A=E05400)											
12	1	129535-13500	SILENCER	1							
13	1	129403-18090	GASKET	1							\$
14	1	194990-22050	NUT, M8	4							

Remarks  
 (S) THESE PARTS ARE SOLD BY  
 FIG.26,REF.NO.1-2.

N:Old  $\frac{100}{100}$  New, Q:Old  $\frac{100}{100}$  New, R:Old  $\frac{100}{100}$  New, S:Old  $\frac{100}{100}$  New, W:Add, Z:Discontinued, F:Interchangeable by set, K:Q'ty Change  
 Copyright (C) YANMAR CO., LTD. All Rights Reserved.

OCD10-M37503

Fig.8. SUCTION & EXHAUST MANIFOLD



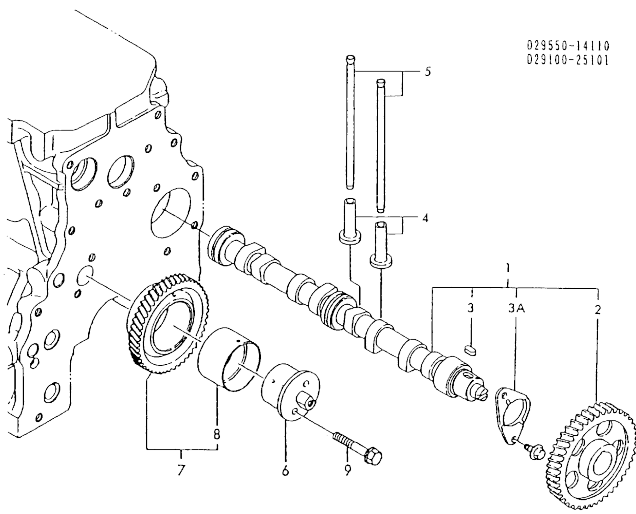
No.	Lev.	Parts No.	Description	Q'ty						I	R
				(A)	(B)	(C)	(D)	(E)	(F)		
1	1	129400-12100	MANIFOLD, AIR INTAKE	1							
2	1	129550-12110	GASKET, MANIFOLD	1							\$
2-1	1	129550-12111	GASKET, MANIFOLD	1							N \$
(A=E05400)											
3	1	26106-080352	BOLT, M8X 35 PLATED	5							
4	1	23871-030000	PLUG, R03	1							
5	1	129535-12080	PIPE, AIR INTAKE	1							
6	1	23000-054000	CLAMP, 54	1							
7	1	23000-060000	CLAMP, 60	1							
8	1	129550-13110	GASKET	1							\$
9	1	129403-13130	MANIFOLD, EXHAUST	1							
10	1	26106-080652	BOLT, M8X 65 PLATED	3							
11	1	26106-080852	BOLT, M8X 85 PLATED	1							
12	1	26106-081002	BOLT, M8X100 PLATED	4							
13	1	26216-080222	STUD, M8X 22	3							
13-1	1	123678-18320	STUD	3							N
(A=E06177)											
14	1	129100-77500	HEATER, AIR 12V	1							
15	1	129400-77500	HEATER	1							
15-1	1	129400-77501	HEATER	1							N
(A=E02919)											
16	1	129100-77510	GASKET, AIR HEATER	2							\$
17	1	129150-77510	GASKET	1							\$
17-1	1	129150-77511	GASKET	1							N \$
(A=E05400)											
18	1	171340-77520	BEND	1							
19	1	26106-080552	BOLT, M8X 55 PLATED	2							
20	1	26106-080952	BOLT, M8X 95 PLATED	2							

Remarks  
 (S) THESE PARTS ARE SOLD BY  
 FIG.26,REF.NO.1-2.

N:Old  $\frac{New}{Old}$  New, Q:Old  $\frac{New}{Old}$  New, R:Old  $\frac{New}{Old}$  New, S:Old  $\frac{New}{Old}$  New, W:Add, Z:Discontinued, F:Interchangeable by set, K:Q'ty Change  
 Copyright (C) YANMAR CO., LTD. All Rights Reserved.

OCD10-M37503

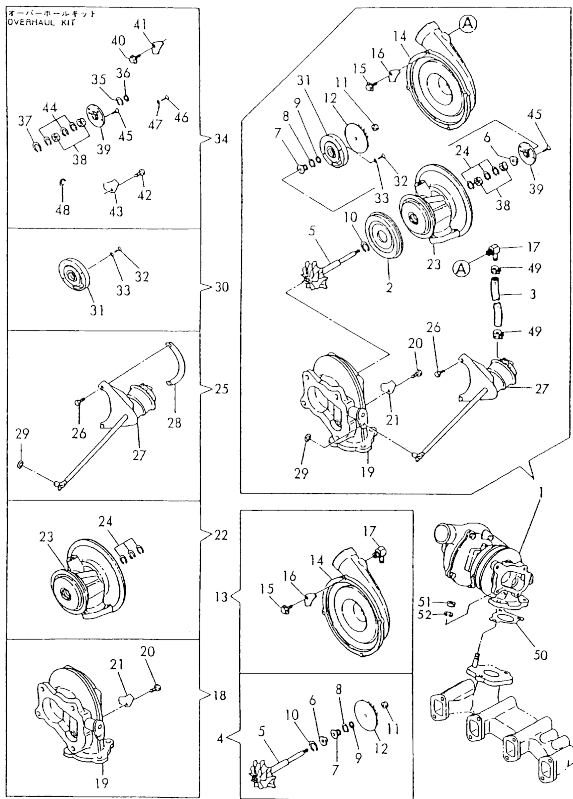
Fig.9. CAMSHAFT & IDLE GEAR



No.	Lev.	Parts No.	Description	Q'ty						I	R
				(A)	(B)	(C)	(D)	(E)	(F)		
1	1	729402-14580	CAMSHAFT ASSY	1							W
		(A=E000)									
2	2	129150-14101	GEAR, CAMSHAFT	1							
3	2	22512-070140	KEY, 7X 14	1							
3A	2	129150-02450	BEARING, THRUST	1							W
		(A=E000)									
4	1	129150-14200	TAPPET	8							
5	1	129550-14400	ROD, PUSH	8							
6	1	129100-25061	SHAFT, IDLE	1							
7	1	129150-25101	GEAR ASSY, IDLE	1							
9	1	26106-080452	BOLT, M8X 45 PLATED	2							

Fig.10. TURBO-CHARGER(COMPONENT PARTS)

029535-18100



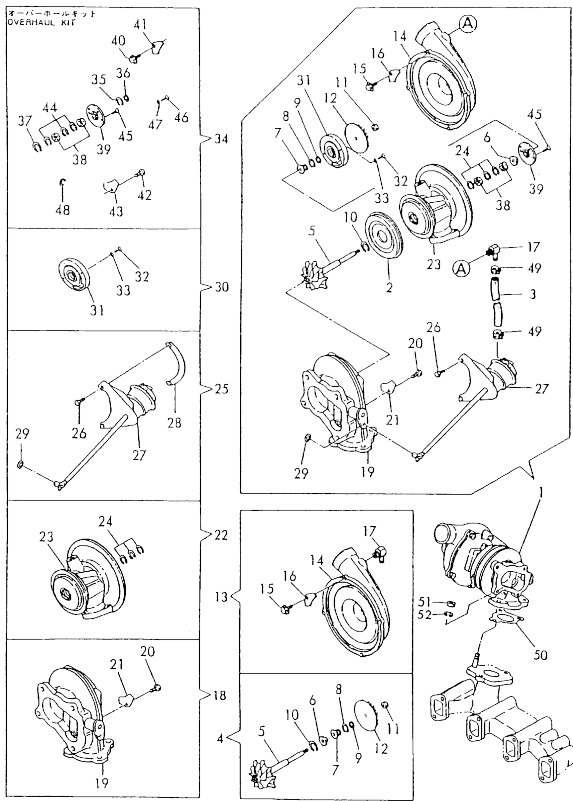
Remarks  
 (S) THESE PARTS ARE SOLD BY  
 FIG.26,REF.NO.1-2.

No.	Lev.	Parts No.	Description	Qty						I	R
				(A)	(B)	(C)	(D)	(E)	(F)		
1	1	129403-18050	TURBINE, RHB31	1							
2	2	129403-18720	PROTECTOR, HEAT	1							
3	2	129403-18750	HOSE	1							
4	2	129403-18770	ROTOR ASSY, TURBO	1							
5	3	129403-18500	SHAFT	1							
6	3	129403-18510	THRUST BUSH	1							
7	3	129403-18520	OIL DRIP	1							
8	3	129403-18530	SEAL RING,BLOW SIDE	1							
9	3	129403-18540	SEAL RING,BLOW SIDE	1							
10	3	129403-18550	SEAL RING,	1							
11	3	129403-18560	NUT	1							
12	3	129403-18570	WHEEL	1							
13	2	129403-18780	HOUSING ASSY, BLOWER	1							
14	3	129403-18610	HOUSING,BLOWER	1							
15	3	129403-18620	BOLT M 5X 10.5	4							
16	3	129403-18630	SEAL RING,BLOW.SIDE	2							
17	3	129403-18730	NUT	1							
18	2	129403-18790	HOUSING ASSY, TURBO	1							
19	3	129403-18640	TURBINE HOUSING	1							
20	3	129403-18650	BOLT M 6X11	4							
21	3	129403-18660	RETAINER	4							
22	2	129403-18800	HOUSING ASSY,BEARING	1							
23	3	129403-18670	HOUSING,BEARING	1							
24	3	129403-18680	CIRCLIP	3							
25	2	129403-18810	CONTROL ASSY	1							
26	3	129403-18620	BOLT M 5X 10.5	4							
27	3	129403-18740	ACTUATOR	1							
28	3	129403-18760	SPACER	3							
29	3	22273-000040	RING, E- 4	1							
30	2	129403-18820	SEAL PLATE ASSY	1							
31	3	129403-18580	SEAL PLATE	1							
32	3	129403-18700	SCREW M 3X12.5	2							
33	3	129403-18710	LOCK WASHER 3	2							
34	2	129403-18830	OVERHAUL KIT	1							
35	3	129403-18530	SEAL RING,BLOW SIDE	1							
36	3	129403-18540	SEAL RING,BLOW SIDE	1							
37	3	129403-18550	SEAL RING,	1							
38	3	129403-18590	FLOATING BEARING	2							
39	3	129403-18600	THRUST METAL	1							
40	3	129403-18620	BOLT M 5X 10.5	4							
41	3	129403-18630	SEAL RING,BLOW.SIDE	2							
42	3	129403-18650	BOLT M 6X11	4							
43	3	129403-18660	RETAINER	4							
44	3	129403-18680	CIRCLIP	3							
45	3	129403-18690	SCREW M 3X6.8	2							
46	3	129403-18700	SCREW M 3X12.5	2							
47	3	129403-18710	LOCK WASHER 3	2							
48	3	22273-000040	RING, E- 4	1							
49	2	23080-012000	CLAMP, 12	2							
50	1	129477-18100	GASKET	1							\$
50-1	1	129535-18100	GASKET	1							N \$

N:Old  $\frac{New}{Old}$  New, Q:Old  $\frac{New}{Old}$  New, R:Old  $\frac{New}{Old}$  New, S:Old  $\frac{New}{Old}$  New, W:Add, Z:Discontinued, F:Interchangeable by set, K:Qty Change  
 ++ CONTINUE ++  
 Copyright (C) YANMAR CO., LTD. All Rights Reserved.

Fig.10. TURBO-CHARGER(COMPONENT PARTS)

029535-18100

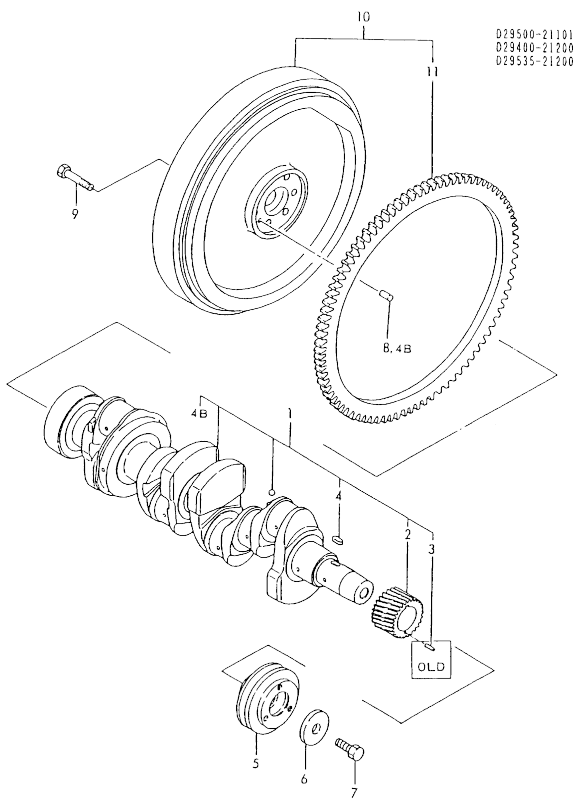


No.	Lev.	Parts No.	Description	Q'ty						I	R
				(A)	(B)	(C)	(D)	(E)	(F)		
		(A=E06177)									
51	1	26366-080002	NUT, M8	3							
51-1	1	194990-22050	NUT, M8	3							N
		(A=E05034)									
51-2	1	26713-080002	NUT, M8	3							N
		(A=E06177)									
52	1	22213-080000	WASHER, SPRING 8	3							W
		(A=E06177)									

Remarks  
 (S) THESE PARTS ARE SOLD BY  
 FIG.26,REF.NO.1-2.

N:Old  $\frac{100}{100}$  New, Q:Old  $\frac{100}{100}$  New, R:Old  $\frac{100}{100}$  New, S:Old  $\frac{100}{100}$  New, W:Add, Z:Discontinued, F:Interchangeable by set, K:Q'ty Change  
 Copyright (C) YANMAR CO., LTD. All Rights Reserved.

Fig.11. CRANKSHAFT & FLYWHEEL



No.	Lev.	Parts No.	Description	Q'ty						I	R
				(A)	(B)	(C)	(D)	(E)	(F)		
1-2	1	729500-21700	CRANKSHAFT ASSY	1							S
	(A=1ST)										
2	2	129150-21200	GEAR, CRANKSHAFT	1							
3	2	22351-040010	PIN, SPRING 4.0X10	1							Z
	(A=E03043)										
4	2	22512-070140	KEY, 7X 14	1							
4B	2	129100-01580	PIN, M8X16	1							W
	(A=E05400)										
5	1	171301-21650	V-PULLEY	1							
6	1	129795-21661	WASHER	1							
7	1	121850-21680	BOLT	1							
8	1	129100-01580	PIN, M8X16	1							Z
	(A=E05400)										
9	1	121111-21501	BOLT, FLYWHEEL	6							
10	1	129535-21590	FLYWHEEL ASSY	1							
11	2	124550-21600	GEAR, RING	1							

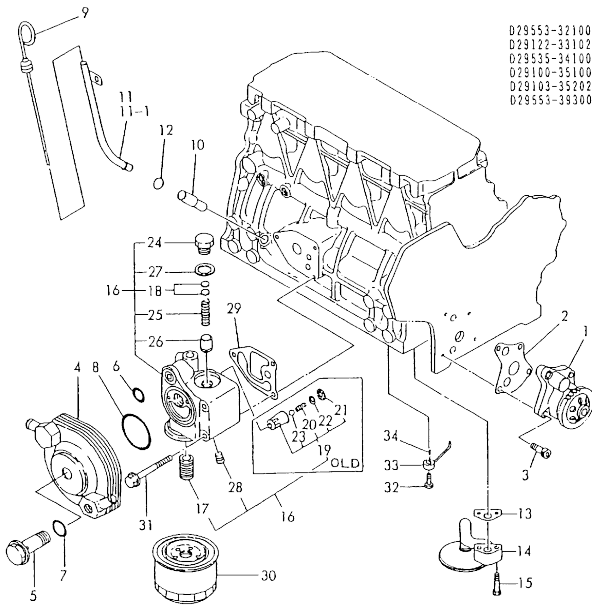
N:Old  $\frac{100}{100}$  New, Q:Old  $\frac{100}{100}$  New, R:Old  $\frac{100}{100}$  New, S:Old  $\frac{100}{100}$  New, W:Add, Z:Discontinued, F:Interchangeable by set, K:Q'ty Change  
 Copyright (C) YANMAR CO., LTD. All Rights Reserved.





OCD10-M37503

Fig.13. LUB. OIL SYSTEM



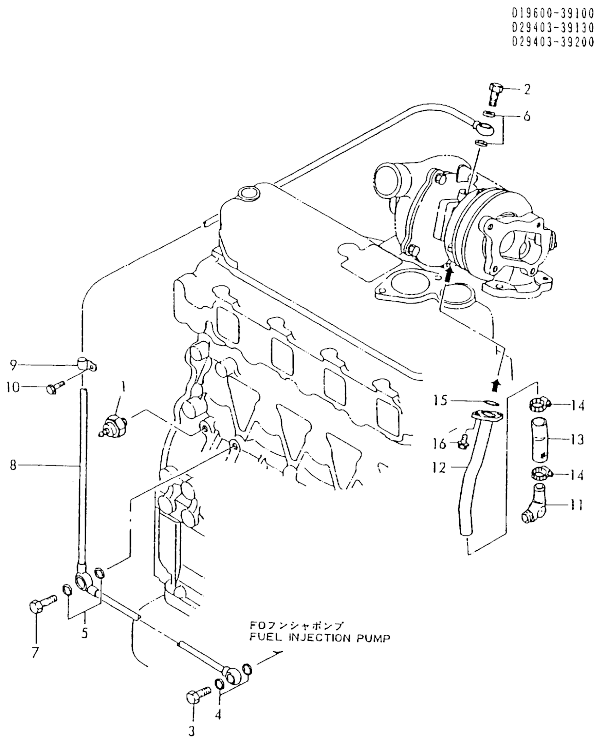
No.	Lev.	Parts No.	Description	Q'ty						I	R
				(A)	(B)	(C)	(D)	(E)	(F)		
1	1	129553-32000	PUMP ASSY, OIL	1							
2	1	129150-32020	GASKET, PUMP	1							
3	1	26450-060252	BOLT, M6X 25	4							
4	1	129103-33031	COOLER, OIL	1							
5	1	129103-33132	BOLT	1							
6	1	24311-000200	O-RING, 1AP20.0	1							\$
7	1	24311-000210	O-RING, 1AP21.0	1							\$
8	1	24321-000550	O-RING, 1AG55.0	1							\$
9	1	129535-34800	DIPSTICK, OIL	1							
10	1	119260-34810	GUIDE, DIPSTICK	1							
11	1	129535-34810	GUIDE, DIPSTICK A	1							
11-1	1	129535-34811	GUIDE, DIPSTICK A	1							S
(A=E03043)											
12	1	24311-240100	O-RING, 1AP10A	1							
13	1	129150-35040	GASKET	1							
13-1	1	129150-35041	GASKET	1							N
(A=E05400)											
14	1	129150-35091	PIPE ASSY, OIL INLET	1							
15	1	26106-080352	BOLT, M8X 35 PLATED	2							
16	1	129103-35101	BRACKET ASSY, FILTER	1							
17	2	129100-35140	STUD	1							
18	2	121850-35200	SHIM SET	1							
19	2	129553-35500	VALVE ASSY, BYPASS	1							Z
(A=E04228)											
20	3	129553-35520	SPRING	1							Z
(A=E04228)											
21	3	129553-35530	RETAINER, SPRING	1							Z
(A=E04228)											
22	3	129553-35540	SHIM	1							Z
(A=E04228)											
23	3	24190-130001	BALL, STEEL 13/32	1							Z
(A=E04228)											
24	2	124223-35510	RETAINER, SPRING	1							
25	2	121850-35520	SPRING	1							
26	2	121850-35531	VALVE, CONTROL	1							
27	2	23414-180000	GASKET, 18X1.0	1							
28	2	23871-020000	PLUG, R02	1							
29	1	129103-35121	GASKET	1							\$
29-1	1	129103-35122	GASKET	1							N \$
(A=E05400)											
30	1	129150-35150	FILTER 90X80L	1							
31	1	26106-080752	BOLT, M8X 75 PLATED	3							
32	1	129792-39410	VALVE ASSY, CHECK	4							
33	1	129553-39650	NOZZLE	4							
34	1	22351-030010	PIN, SPRING 3.0X10	4							

Remarks  
 (S) THESE PARTS ARE SOLD BY  
 FIG.26,REF.NO.1-2.

N:Old  $\frac{100}{100}$  New, Q:Old  $\frac{100}{100}$  New, R:Old  $\frac{100}{100}$  New, S:Old  $\frac{100}{100}$  New, W:Add, Z:Discontinued, F:Interchangeable by set, K:Q'ty Change  
 Copyright (C) YANMAR CO., LTD. All Rights Reserved.

OCD10-M37503

Fig.14. LUB. OIL PIPES

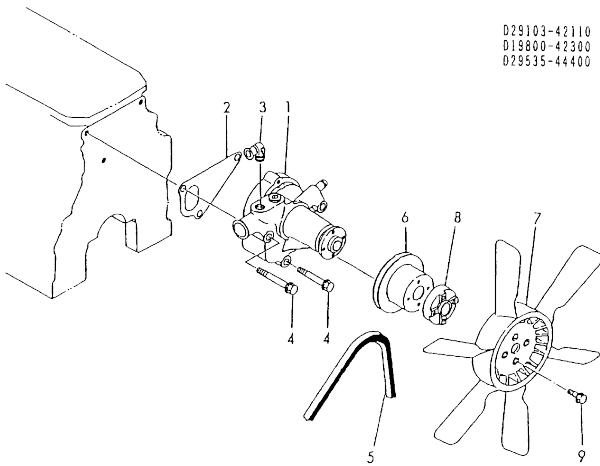


No.	Lev.	Parts No.	Description	Q'ty						I	R
				(A)	(B)	(C)	(D)	(E)	(F)		
1	1	124160-39450	SWITCH, 0.5KG	1							
2	1	105010-39140	BOLT, PIPE JOINT	1							
3	1	124550-59820	BOLT, PIPE JOINT M8	1							
4	1	43400-500410	SEAL WASHER 8	2							
5	1	23414-100000	GASKET, 10X1.0	2							
6	1	23414-080000	GASKET, 8X1.0	2							
7	1	124160-39140	BOLT, PIPE JOINT M10	1							
8	1	129403-39450	PIPE ASSY, OIL	1							
9	1	23297-080081	CLAMP, 8X 8	1							
9-1	1	124223-39900	RETAINER	1							N
(A=E04979)											
10	1	26106-080102	BOLT, M8X 10 PLATED	1							
11	1	128270-13620	JOINT, PIPE PT3/8	1							
12	1	129403-39600	PIPE, OIL	1							
13	1	129403-39610	JOINT, RUBBER	1							
14	1	23000-022000	CLAMP, 22	2							
15	1	24314-000160	O-RING, 4CP16.0	1							
16	1	26106-060162	BOLT, M6X 16 PLATED	2							

N:Old  $\frac{100}{100}$  New, Q:Old  $\frac{100}{100}$  New, R:Old  $\frac{100}{100}$  New, S:Old  $\frac{100}{100}$  New, W:Add, Z:Discontinued, F:Interchangeable by set, K:Q'ty Change  
 Copyright (C) YANMAR CO., LTD. All Rights Reserved.

OCD10-M37503

Fig.15. COOLING WATER SYSTEM



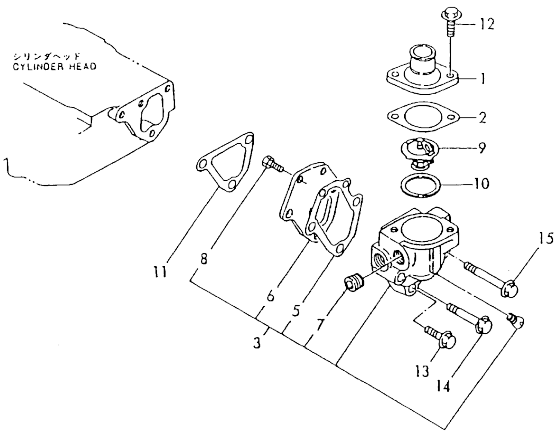
D29103-42110  
D19800-42300  
D29535-44400

No.	Lev.	Parts No.	Description	Q'ty						I	R
				(A)	(B)	(C)	(D)	(E)	(F)		
1	1	129100-42001	PUMP ASSY, WATER	1							
1-1	1	129100-42002	PUMP ASSY, WATER	1							N
(A=E05400)											
2	1	129100-42020	GASKET, WATER PUMP	1							\$
3	1	129103-49301	ELBOW, PT1/4	1							
4	1	26106-080602	BOLT, M8X 60 PLATED	3							
5	1	121236-42290	V-BELT, A39	1							
6	1	129403-42380	V-PULLEY, D=110	1							
7	1	129110-44740	FAN, COOLING D390	1							
8	1	171353-44760	SPACER, FAN	1							
9	1	26106-060352	BOLT, M6X 35 PLATED	4							

N:Old  $\frac{New}{Old}$  New, Q:Old  $\frac{New}{Old}$  New, R:Old  $\frac{New}{Old}$  New, S:Old  $\frac{New}{Old}$  New, W:Add, Z:Discontinued, F:Interchangeable by set, K:Qty Change  
Copyright (C) YANMAR CO., LTD. All Rights Reserved.

OCD10-M37503

Fig.16. THERMOSTAT



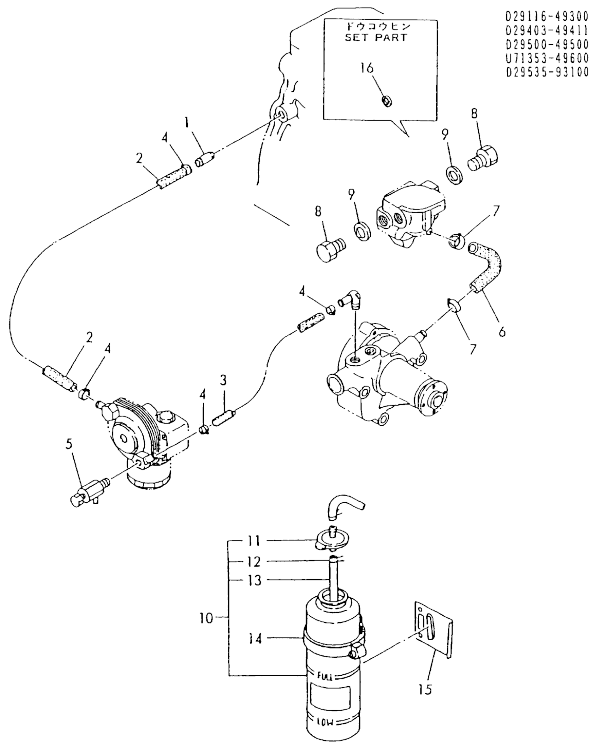
No.	Lev.	Parts No.	Description	Q'ty						I	R
				(A)	(B)	(C)	(D)	(E)	(F)		
1	1	129350-49530	COVER, THERMOSTAT	1							
2	1	129795-49550	GASKET	1							\$
2-1	1	129795-49551	GASKET	1							N \$
(A=E05400)											
3	1	129100-49800	CASE ASSY,THERMOSTAT	1							
5	2	129100-49820	GASKET	1							
6	2	129100-49830	COVER, THERMOSTAT	1							
7	2	23871-030000	PLUG, R03	1							
8	2	26116-060162	BOLT, M6X 16 PLATED	2							
9	1	129155-49800	THERMOSTAT, 71	1							
10	1	129150-49810	GASKET, THERMOSTAT	1							\$
10-1	1	129150-49811	GASKET, THERMOSTAT	1							N \$
(A=E05400)											
11	1	129100-49840	GASKET	1							\$
12	1	26106-080202	BOLT, M8X 20 PLATED	2							
13	1	26106-080252	BOLT, M8X 25 PLATED	1							
14	1	26106-080502	BOLT, M8X 50 PLATED	1							
15	1	26106-080602	BOLT, M8X 60 PLATED	1							

Remarks  
 (S) THESE PARTS ARE SOLD BY  
 FIG.26,REF.NO.1-2.

N:Old  $\frac{100}{100}$  New, Q:Old  $\frac{100}{100}$  New, R:Old  $\frac{100}{100}$  New, S:Old  $\frac{100}{100}$  New, W:Add, Z:Discontinued, F:Interchangeable by set, K:Q'ty Change  
 Copyright (C) YANMAR CO., LTD. All Rights Reserved.

OCD10-M37503

Fig.17. COOLING WATER PIPES

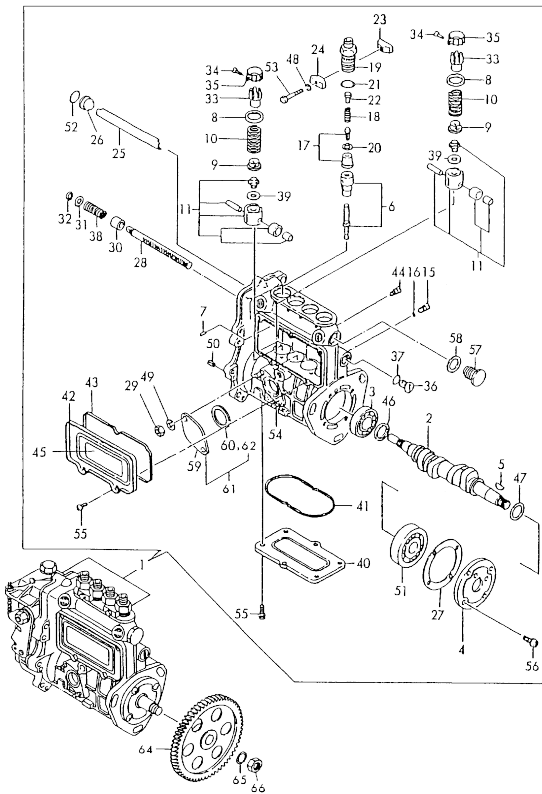


No.	Lev.	Parts No.	Description	Q'ty						I	R
				(A)	(B)	(C)	(D)	(E)	(F)		
1	1	129122-44480	JOINT	1							
2	1	129403-49031	PIPE, WATER	1							
3	1	129403-49050	PIPE, WATER	1							
4	1	23000-022000	CLAMP, 22	4							
5	1	119620-49290	COCK ASSY, 1/4	1							
5-1	1	129116-49290	COCK ASSY, 1/4	1							N
(A=E03602)											
6	1	129100-49050	PIPE, WATER	1							
7	1	23000-016000	CLAMP, 16	2							
8	1	121450-42450	PLUG, M16	2							
9	1	124465-44950	GASKET, 16	2							
10	1	124450-44510	TANK ASSY, SUB	1							
11	2	124450-44530	CAP	1							
12	2	124450-44560	RETAINER	1							
13	2	23061-070230	PIPE, 7X 230	1							
14	1	124450-44550	BAND	1							
15	1	121256-44600	BRACKET, SUB TANK	1							
16	1	129150-49360	GASKET	1							

OCD10-M37503

Fig.18. FUEL INJECTION PUMP

029150-25290  
729535-51350



Remarks

(1) GOVERNOR ASSY(FIG.22) IS INCORPORATED IN THIS FUEL INJECTION PUMP ASSY.(REF.NO.1)

(A)=4TNA78TL-RFA  
(B)=  
(C)=

(D)=  
(E)=  
(F)=

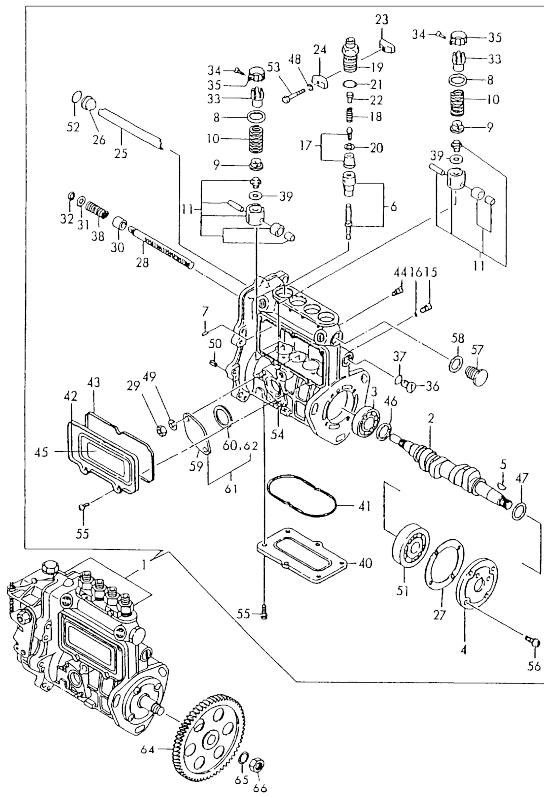
No.	Lev.	Parts No.	Description	Q'ty						I	R
				(A)	(B)	(C)	(D)	(E)	(F)		
1	1	729535-51360	PUMP ASSY, INJECTION	1							1
2	2	129470-51040	CAMSHAFT	1							
3	2	129155-51050	BEARING, 17BM001D	1							
4	2	129155-51060	SUPPORT, CAMSHAFT	1							
5	2	122710-51090	KEY	1							
6	2	129470-51101	PLUNGER ASSY	4							
7	2	129155-51140	PIN	4							
8	2	174307-51170	RETAINER, SPRING A	4							
9	2	129155-51180	RETAINER, SPRING	4							
10	2	124950-51190	SPRING, PLUNGER	4							
11	2	129155-51200	TAPPET ASSY	4							
15	2	129155-51270	STOPPER, TAPPET	4							
16	2	129155-51280	O-RING, S6	4							
17	2	129100-51300	VALVE ASSY, DELIVERY	4							
18	2	129155-51320	SPRING, DELIVERY	4							
19	2	129155-51340	RETAINER	4							
20	2	124550-51350	GASKET, DELIVERY	4							
21	2	124550-51370	O-RING	4							
22	2	129155-51370	STOPPER, VALVE	4							
23	2	129155-51380	STOPPER	2							
24	2	129155-51390	STOPPER	2							
25	2	129555-51400	DEFLECTOR	1							
26	2	129155-51410	BOLT	1							
27	2	129155-51450	SHIM SET, ADJUSTING	1							
28	2	129555-51500	RACK, CONTROL	1							
29	2	26716-060002	NUT, M6	2							
30	2	129155-51521	BUSH, RACK	1							
31	2	129155-51530	SPACER	1							
32	2	129155-51540	CIRCLIP	1							
33	2	129155-51550	PINION, CONTROL	4							
34	2	122117-51560	SCREW	4							
35	2	174307-51560	PINION	4							
36	2	129155-51570	PLUG, M12	1							
37	2	129155-51580	O-RING	1							
38	2	129155-51591	SPRING, RACK	1							
39	2	129155-51600	SHIM SET, ADJUSTING	4							
40	2	129555-51700	COVER	1							
41	2	129555-51710	GASKET	1							
42	2	129555-51750	COVER	1							
43	2	129555-51760	GASKET	1							
44	2	129155-51790	STOOPER, RACK	1							
45	2	129156-51910	LABEL, CAUTION	1							
46	2	129155-51930	SPACER, T=3.25	1							
47	2	129155-51940	SPACER, T=1.5	1							
48	2	22217-050000	WASHER, SPRING 5	2							Z
(A=EXXX)											
49	2	22217-060000	WASHER, SPRING 6	2							
50	2	22351-050010	PIN, SPRING 5.0X10	2							
51	2	24101-063033	BEARING, BALL 6303P6	1							
51-1	2	24101-063034	BEARING, BALL 6303	1							N
(A=EXXX)											

N:Old  $\frac{New}{Old}$  New, Q:Old  $\frac{New}{Old}$  New, R:Old  $\frac{New}{Old}$  New, S:Old  $\frac{New}{Old}$  New, W:Add, Z:Discontinued, F:Interchangeable by set, K:Q'ty Change  
 ++ CONTINUE ++  
 Copyright (C) YANMAR CO., LTD. All Rights Reserved.

OCD10-M37503

Fig.18. FUEL INJECTION PUMP

029150-25290  
729535-51350



No.	Lev.	Parts No.	Description	Q'ty						I	R
				(A)	(B)	(C)	(D)	(E)	(F)		
52	2	24341-000160	O-RING, 1AS16.0	1							
53	2	26116-050302	BOLT, M5X 30 PLATED	2							
54	2	129155-51020	STUD	2							
55	2	26022-050102	SCREW, M5X10	11							
56	2	26022-060162	SCREW, M6X16	4							
57	2	129155-51420	PLUG, M16	1							
58	2	43400-500490	SEAL WASHER 16	1							
59	2	129100-52200	COVER	1							Z
		(A=EXXX)									
60	2	129155-52020	GASKET	1							Z
		(A=EXXX)									
61	2	129255-52000	COVER ASSY	1							W
		(A=EXXX)									
62	3	129155-52050	GASKET	1							W
		(A=EXXX)									
64	1	129150-25900	GEAR, PUMP	1							
65	1	22217-120000	WASHER, SPRING 12	1							
66	1	26716-120002	NUT, M12	1							

Remarks

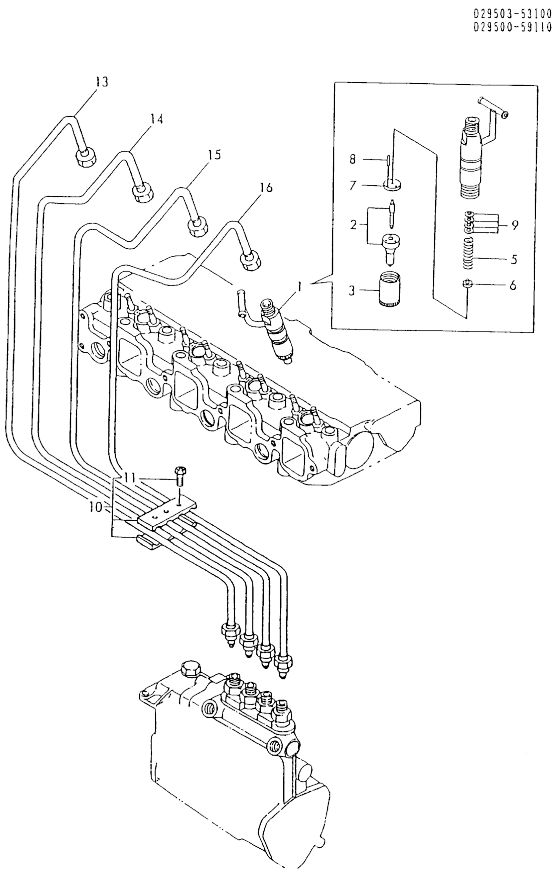
(1) GOVERNOR ASSY(FIG.22) IS INCORPORATED IN THIS FUEL INJECTION PUMP ASSY.(REF.NO.1)

N:Old  $\frac{100}{100}$  New, Q:Old  $\frac{100}{100}$  New, R:Old  $\frac{100}{100}$  New, S:Old  $\frac{100}{100}$  New, W:Add, Z:Discontinued, F:Interchangeable by set, K:Q'ty Change  
Copyright (C) YANMAR CO., LTD. All Rights Reserved.



OCD10-M37503

Fig.19. FUEL INJECTION DEVICE

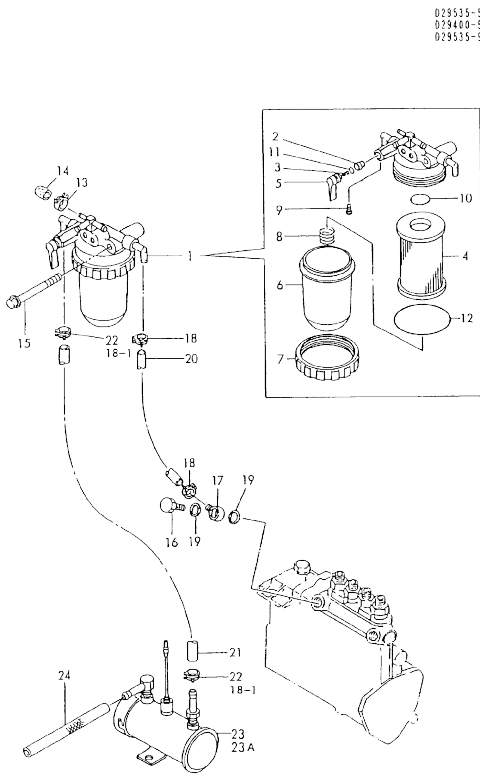


No.	Lev.	Parts No.	Description	Q'ty						I	R
				(A)	(B)	(C)	(D)	(E)	(F)		
1	1	729503-53100	VALVE ASSY,INJECTION	4							
2	2	129503-53000	VALVE ASSY,INJECTION	4							
3	2	114250-53080	NUT, NOZZLE D16.95	4							
5	2	114250-53120	SPRING, NOZZLE	4							
6	2	114250-53130	SEAT, SPRING	4							
7	2	114250-53140	PLATE	4							
8	2	114250-53210	PIN	8							
9	2	114250-53400	SHIM SET	4							
10	1	129500-59120	RETAINER, PIPE	1							
11	2	129150-59130	BOLT, M4X12	2							
13	1	129500-59910	PIPE ASSY, INJECTION	1							
14	1	129500-59920	PIPE ASSY, INJECTION	1							
15	1	129500-59930	PIPE ASSY, INJECTION	1							
16	1	129500-59940	PIPE ASSY, INJECTION	1							

N:Old  $\frac{100}{100}$  New, Q:Old  $\frac{100}{100}$  New, R:Old  $\frac{100}{100}$  New, S:Old  $\frac{100}{100}$  New, W:Add, Z:Discontinued, F:Interchangeable by set, K:Q'ty Change  
Copyright (C) YANMAR CO., LTD. All Rights Reserved.

OCD10-M37503

Fig.20. FUEL OIL SYSTEM



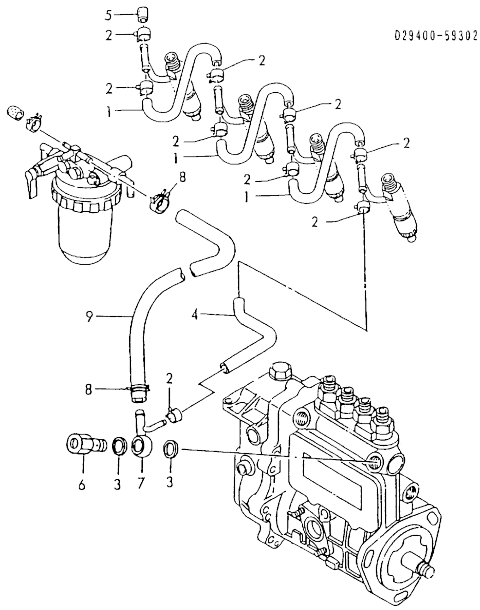
029535-55100  
029400-59211  
029535-93100

No.	Lev.	Parts No.	Description	Q'ty						I	R
				(A)	(B)	(C)	(D)	(E)	(F)		
1	1	129100-55621	FILTER ASSY, FUEL	1							
2	2	104200-55321	VALVE, TAPER	1							
3	2	104200-55330	SPRING, VALVE	1							
4	2	129100-55650	ELEMENT	1							
5	2	129100-55670	LEVER	1							
6	2	129100-55680	CUP, STRAINER	1							
7	2	129100-55690	RING, RETAINING	1							
8	2	129100-55700	SPRING	1							
9	2	104200-55750	SCREW, M4	1							
10	2	24311-000160	O-RING, 1AP16.0	1							
11	2	24311-240100	O-RING, 1AP10A	1							
12	2	24321-000650	O-RING, 1AG65.0	1							\$
13	1	124066-59100	CLIP, HOSE 8	1							
14	1	129150-59580	CAP	1							
15	1	26106-080802	BOLT, M8X 80 PLATED	1							
16	1	103854-39140	BOLT, PIPE JOINT	1							
17	1	101304-59020	JOINT, PIPE 12	1							
18	1	124766-59050	CLIP, HOSE 12	2							
18-1	1	124766-59050	CLIP, HOSE 12	4							K
(A=E06423)											
19	1	104200-59170	GASKET, 12	2							
20	1	129555-59510	PIPE, D13/7.5X180	1							
21	1	105025-59530	PIPE, FUEL D13X400	1							
22	1	23000-013000	CLAMP, 13	2							Z
(A=E06423)											
23	1	129535-52100	PUMP ASSY, FUEL FEED	1							
23A	2	129535-52150	FILTER ASSY	1							W
(A=E03379)											
24	1	129535-59510	PIPE, FUEL L=2300	1							

Remarks  
(S) THESE PARTS ARE SOLD BY  
FIG.26,REF.NO.1-2.

N:Old  $\frac{100}{100}$  New, Q:Old  $\frac{100}{100}$  New, R:Old  $\frac{100}{100}$  New, S:Old  $\frac{100}{100}$  New, W:Add, Z:Discontinued, F:Interchangeable by set, K:Qty Change  
Copyright (C) YANMAR CO., LTD. All Rights Reserved.

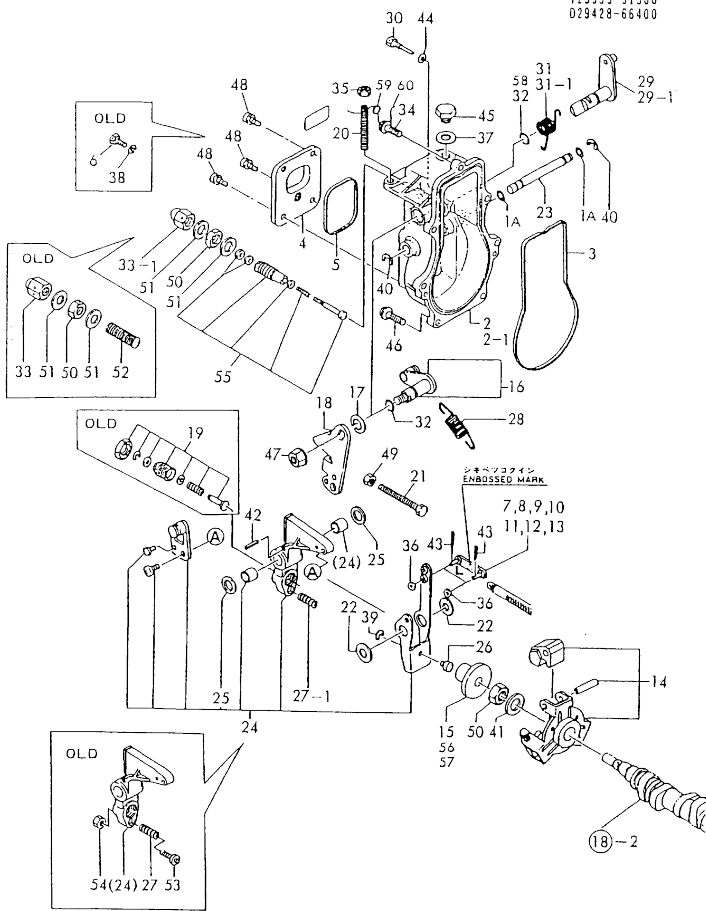
Fig.21. FUEL OIL RETURN PIPES



No.	Lev.	Parts No.	Description	Q'ty					
				(A)	(B)	(C)	(D)	(E)	(F)
1	1	121250-59550	PIPE, FUEL D8X120	3					
2	1	124066-59100	CLIP, HOSE 8	9					
3	1	23414-120000	GASKET, 12X1.0	2					
4	1	119840-59560	PIPE, FUEL RETURN	1					
5	1	129150-59580	CAP	1					
6	1	129100-59951	VALVE ASSY, CHECK	1					
7	1	119840-59570	JOINT	1					
8	1	124766-59050	CLIP, HOSE 12	2					
9	1	105025-59530	PIPE, FUEL D13X400	1					

Fig.22. GOVERNOR

729535-51360  
029428-66400

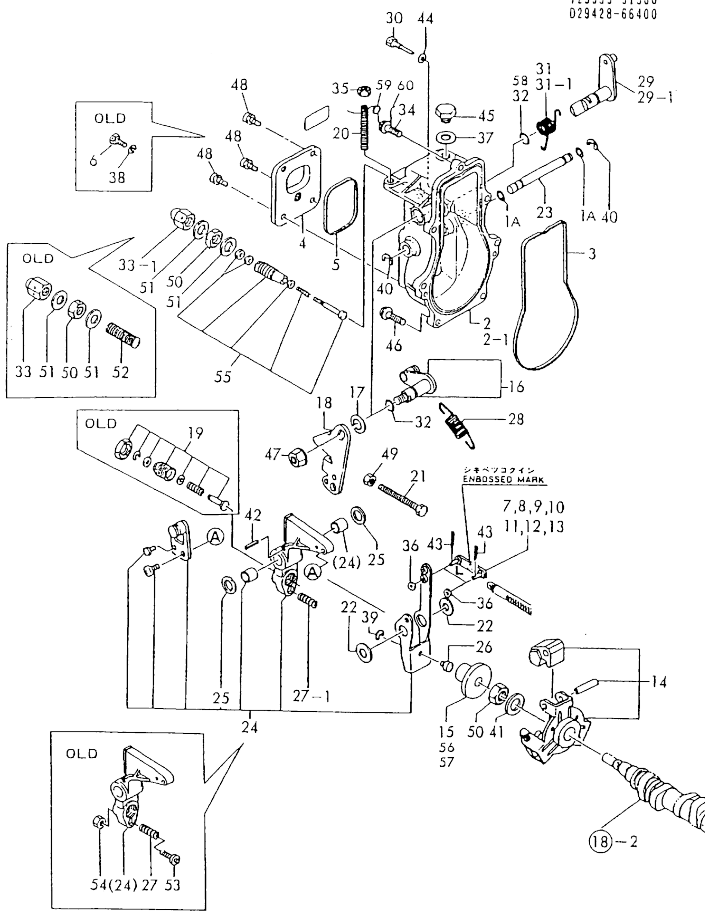


No.	Lev.	Parts No.	Description	Q'ty						I	R
				(A)	(B)	(C)	(D)	(E)	(F)		
1A	2	129155-51280	O-RING, S6	2							
2	2	129155-61010	CASE, GOVERNOR	1							
2-1	2	129155-61011	CASE, GOVERNOR	1							S
(A=E03878)											
3	2	129155-61050	GASKET	1							
4	2	129155-61060	COVER, GOVERNOR CASE	1							
5	2	129155-61070	GASKET	1							
6	2	129155-61090	BOLT	1							Z
(A=E03878)											
7	2	129155-61120	LINK, L=30 MARK 0	1							
8	2	129155-61130	LINK, L=31 MARK 1	1							
9	2	129155-61140	LINK, L=30.5 MARK 05	1							
10	2	129155-61150	LINK, L=33	1							Z
(A=E03878)											
11	2	129155-61160	LINK, L=34 MARK4	1							Z
(A=E03878)											
12	2	129155-61170	LINK, L=28 MARK 8	1							Z
(A=E03878)											
13	2	129155-61180	LINK, L=29 MARK 9	1							Z
(A=E03878)											
14	2	129155-61201	WEIGHT ASSY, GOVERNOR	1							
15	2	129155-61341	SLEEVE	1							
16	2	129100-61400	SHAFT ASSY	1							
17	2	129155-61430	SPACER	1							
18	2	129100-61440	LEVER, CONTROL	1							
19	2	171353-61550	ANGLEICH ASSY	1							Z
(A=E03043)											
20	2	129155-61450	BOLT, LIMITER	1							
21	2	129155-61460	BOLT, IDLE	1							
22	2	129155-61480	SPACER ASSY	2							
23	2	129155-61490	SHAFT	1							
24	2	171353-61051	LEVER ASSY, GOVERNOR	1							
24-1	2	129500-61500	LEVER ASSY, GOVERNOR	1							N
(A=E03043)											
25	3	174307-51700	SHIM SET	2							
26	2	129155-61540	SHIFTER	1							
27	2	171353-61652	SPRING	1							
27-1	2	129100-61650	SPRING, CONTROLLER	1							S
(A=E03043)											
28	2	171353-61710	SPRING, GOVERNOR	1							
29	2	129255-61801	LEVER, STOP	1							
29-1	2	129255-61802	LEVER, STOP	1							S
(A=E03713)											
30	2	129155-61810	PIN	1							
31	2	129100-61820	SPRING, RETURN	1							
31-1	2	129100-61821	SPRING, RETURN	1							S
(A=E03878)											
32	2	129155-61830	O-RING, S10	3							
32-1	2	129155-61830	O-RING, S10	2							K
(A=E03878)											
32-2	2	129155-61830	O-RING, S10	1							K

N:Old  $\frac{100}{100}$  New, Q:Old  $\frac{100}{100}$  New, R:Old  $\frac{100}{100}$  New, S:Old  $\frac{100}{100}$  New, W:Add, Z:Discontinued, F:Interchangeable by set, K:Q'ty Change  
 ++ CONTINUE ++  
 Copyright (C) YANMAR CO., LTD. All Rights Reserved.

Fig.22. GOVERNOR

729535-51360  
029428-66400



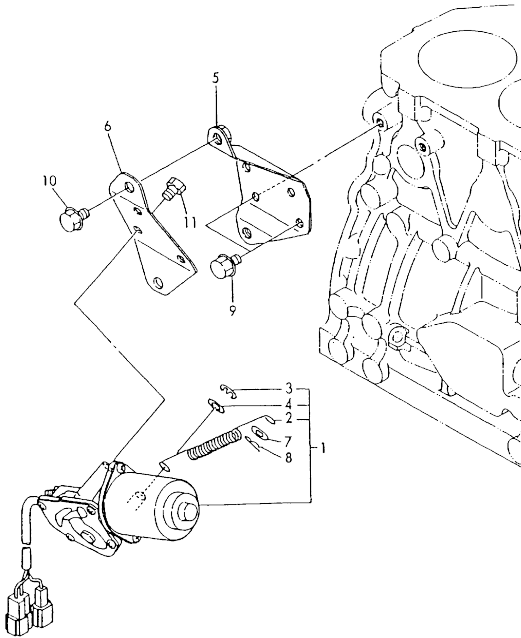
No.	Lev.	Parts No.	Description	Q'ty						I	R
				(A)	(B)	(C)	(D)	(E)	(F)		
			(A=E03878)								
33	2	129100-61930	NUT, CAP	1							
33-1	2	26687-120002	NUT, CAP M12	1							N
			(A=E03878)								
34	2	129155-61950	BOLT	1							
35	2	124550-66370	NUT, M6	1							
36	2	22117-040000	WASHER, 4	2							
36-1	2	22117-040000	WASHER, 4	1							K
			(A=E03878)								
37	2	22190-100000	WASHER, SEAL 10	1							
37-1	2	43400-500430	SEAL WASHER 10	1							N
			(A=E03878)								
38	2	22217-050000	WASHER, SPRING 5	4							Z
			(A=E03878)								
39	2	22272-000040	RING, E- 4	1							
40	2	22272-000060	RING, E- 6	2							
41	2	22287-120000	WASHER, 12	1							
42	2	22351-030016	PIN, SPRING 3.0X16	1							
43	2	22360-040000	PIN, SNAP 4	2							
43-1	2	22372-040000	PIN, SNAP 4	2							R
			(A=E06103)								
44	2	23414-050000	GASKET, 5X1.0	1							
44-1	2	43400-500390	SEAL WASHER 6	1							N
			(A=1989.)								
45	2	23887-100002	PLUG, 10	1							
46	2	26106-060202	BOLT, M6X 20 PLATED	6							
47	2	26366-080002	NUT, M8	1							
48	2	26022-050102	SCREW, M5X10	3							
48-1	2	26022-050102	SCREW, M5X10	4							K
			(A=E03878)								
49	2	26756-060002	NUT, LOCK M6	1							
50	2	26776-120002	NUT, LOCK M12	2							
51	2	43400-500450	SEAL WASHER 12	2							
52	2	129155-61470	BOLT, CONTROL	1							Z
			(A=E03043)								
53	2	171353-61670	BOLT, ADJUSTING	1							Z
			(A=E03043)								
54	2	171353-61680	NUT, LOCK	1							Z
			(A=E03043)								
55	2	129100-61450	LIMITER ASSY, FUEL	1							W
			(A=E03878)								
56	2	129155-61350	SLEEVE, L=24.9	1							W
			(A=E03878)								
57	2	129155-61360	SLEEVE, L=25.2	1							W
			(A=E03878)								
58	2	24311-240100	O-RING, 1AP10A	1							W
			(A=E03878)								
59	1	135210-61090	LEAD	1							
60	1	22451-060000	WIRE, 0.6	1							

N:Old  $\frac{New}{Old}$  New, Q:Old  $\frac{New}{Old}$  New, R:Old  $\frac{New}{Old}$  New, S:Old  $\frac{New}{Old}$  New, W:Add, Z:Discontinued, F:Interchangeable by set, K:Q'ty Change  
Copyright (C) YANMAR CO., LTD. All Rights Reserved.

OCD10-M37503

Fig.23. ENGINE STOP

029535-66500

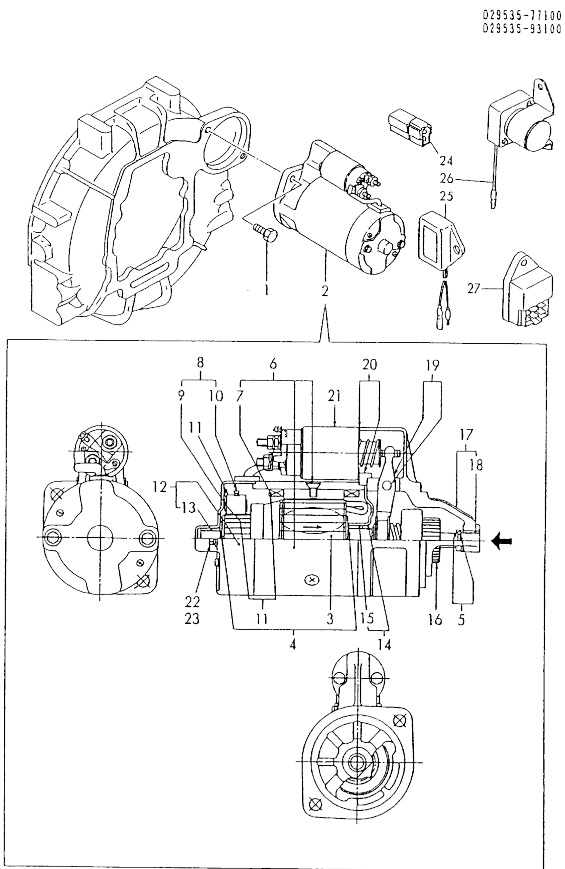


(A)=4TNA78TL-RFA  
(B)=  
(C)=

(D)=  
(E)=  
(F)=

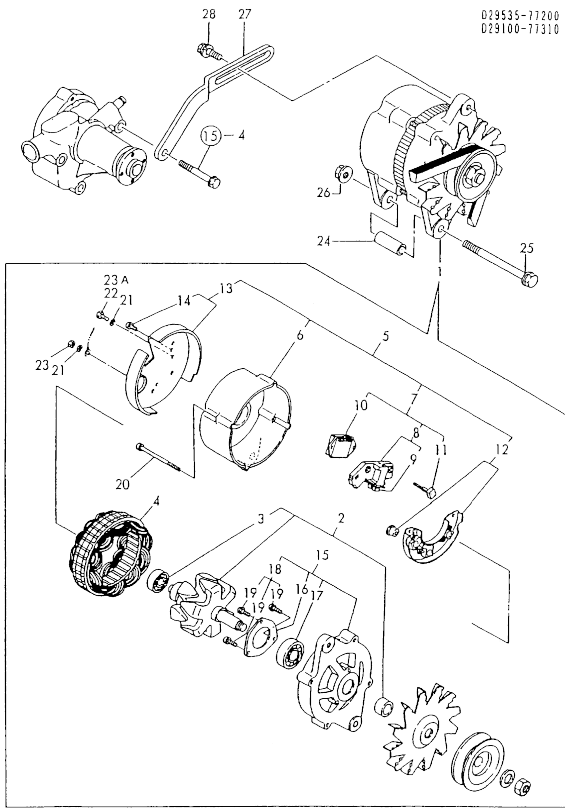
No.	Lev.	Parts No.	Description	Q'ty						I	R
				(A)	(B)	(C)	(D)	(E)	(F)		
1	1	129535-66790	MOTOR ASSY, STOP	1							
2	2	129505-66830	SPRING, STOP MOTOR	1							
3	2	129566-66880	RING, SNAP	1							
4	2	129566-66890	WASHER	1							
5	1	129107-66810	BRACKET, STOP MOTOR	1							
6	1	129107-66820	BRACKET, STOP MOTOR	1							
7	1	22117-080000	WASHER, 8	1							
8	1	22360-080000	SNAP PIN 8	1							
9	1	26106-080122	BOLT, M8X 12 PLATED	2							
10	1	26106-080122	BOLT, M8X 12 PLATED	2							
11	1	26116-050102	BOLT, M5X 10 PLATED	3							

Fig.24. STARTING MOTOR(COMPONENT PARTS)



No.	Lev.	Parts No.	Description	Q'ty						I	R	
				(A)	(B)	(C)	(D)	(E)	(F)			
1	1	26116-120252	BOLT, M12X 25 PLATED									
2	1	46120-500821	STARTER, DC24S25-154	1								
3	2	X225031001	ARMATURE ASSY	1								
4	2	X21201115	WASHER SET, THRUST	1								
5	2	X22506105	STOPPER SET, PINION	1								
6	2	X225052001	COIL ASSY, FIELD	1								
7	3	X22504322	BRASH	2								
8	2	X22504305	HOLDER ASSY, BRUSH	1								
9	3	X22502323	BRASH	2								
10	3	X21304313	SPRING, BRUSH	4								
11	2	X22501324	BRUSH	1								
12	2	X225073012	COVER ASSY, REAR	1								
13	3	X21301310	METAL, COVER BEARING	1								
14	2	X21303400	BEARING ASSY	1								
15	3	X21204401	METAL, CENTER BERG.	1								
16	2	X225075004	PINION ASSY	1								
17	2	X225086005	CASE ASSY, GEAR	1								
18	3	X21301310	METAL, COVER BEARING	1								
19	2	X21302605	LEVER SET	1								
20	2	X21302610	COVER SET, DUST	1								
21	2	X225047002	SWITCH ASSY, MAGNET.	1								
22	2	X22503820	BOLT, THROUGH	2								
23	2	X21301827	WASHER	2								
24	1	119643-66900	DIODE	1								
25	1	160970-77350	RECTIFIER, ZR2117	1								
26	1	119129-77910	RELAY, MAGNETIC	1								
27	1	119129-77920	TIMER	1								

Fig.25. GENERATOR(COMPONENT PARTS)



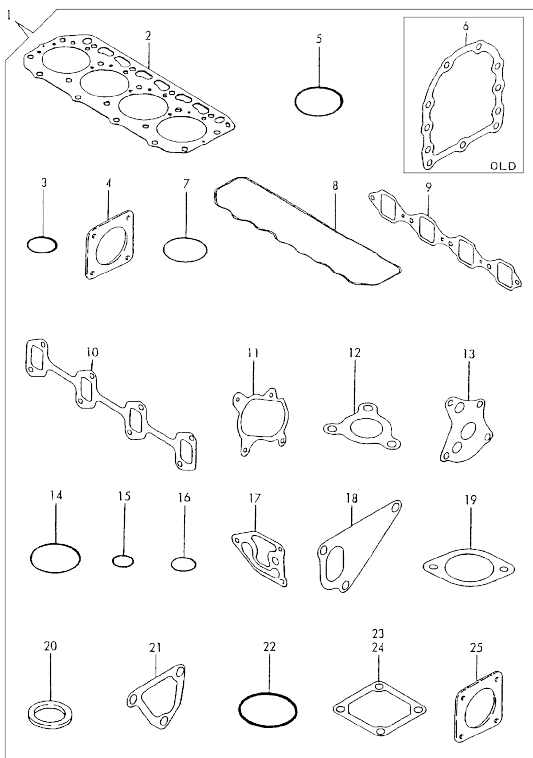
No.	Lev.	Parts No.	Description	Q'ty						I	R
				(A)	(B)	(C)	(D)	(E)	(F)		
1	1	129535-77200	GENERATOR, LR225-90	1							
2	2	119129-77300	ROTOR ASSY	1							
3	3	119129-77320	BALL BEARING	1							
4	2	119129-77960	STATOR ASSY	1							
5	2	119129-77330	REAR COVER ASSY	1							
6	3	119129-77340	REAR COVER	1							
7	3	119129-77350	BRUSH ASSY,REGULATOR	1							
8	4	119129-77380	BUSH ASSY	1							
9	4	119129-77810	BUSH SET	2							
10	4	119129-77820	REGULATOR ASSY, I.C.	1							
11	4	119129-77940	BOLT(M5)	2							
12	3	119129-77360	DIODE ASSY	1							
13	3	119129-77370	COVER	1							
14	4	26116-050122	BOLT, M5X 12 PLATED	3							
15	2	119129-77840	COVER ASSY, FRONT	1							
16	3	119129-77870	RETAINER, BEARING	1							
17	3	119129-77850	BALL BEARING	1							
18	2	119129-77930	SCREW KIT	1							
19	3	26116-050122	BOLT, M5X 12 PLATED	3							
20	2	119129-77890	BOLT, THROUGH	4							
21	2	22217-050000	WASHER, SPRING 5	2							
22	2	26116-050122	BOLT, M5X 12 PLATED	1							
23	2	26756-050002	NUT, LOCK M5	1							
23A	2	124080-77520	BOLT M5	2							W
(A=E03782)											
24	1	129150-77340	SPACER	1							
25	1	26106-081202	BOLT, M8X120 PLATED	1							
26	1	26366-080002	NUT, M8	1							
27	1	129100-77330	ADJUSTER	1							
28	1	26014-080252	BOLT, M8X 25	1							

N:Old  $\frac{New}{Old}$  New, Q:Old  $\frac{New}{Old}$  New, R:Old  $\frac{New}{Old}$  New, S:Old  $\frac{New}{Old}$  New, W:Add, Z:Discontinued, F:Interchangeable by set, K:Q'ty Change  
 Copyright (C) YANMAR CO., LTD. All Rights Reserved.



OCD10-M37503

Fig.26. GASKET SET(OPTIONAL)



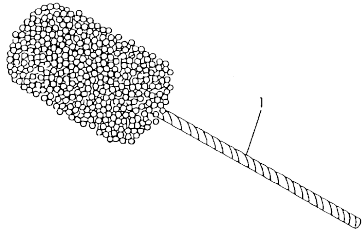
No.	Lev.	Parts No.	Description	Qty						I	R	
				(A)	(B)	(C)	(D)	(E)	(F)			
1	1	729535-92600	GASKET SET	1							1	
1-1	1	729535-92601	GASKET SET	1							N	1
(A=E05400)												
1-2	1	729535-92602	GASKET SET	1							N	1
(A=E06177)												
2	2	129555-01332	GASKET, HEAD	1								
3	2	24311-000320	O-RING, 1AP32.0	2								
4	2	124240-01882	GASKET	1								
4-1	2	124240-01883	GASKET	1								N
(A=E05034)												
5	2	121850-51960	O-RING	1								
6	2	129150-01660	GASKET	1								Z
(A=*1988.)												
7	2	24341-000500	O-RING, 1AS50.0	1								
8	2	129550-11310	GASKET, BONNET	1								
9	2	129550-12110	GASKET, MANIFOLD	1								
9-1	2	129550-12111	GASKET, MANIFOLD	1								N
(A=E05400)												
10	2	129550-13110	GASKET	1								
11	2	129403-18090	GASKET	1								
12	2	129477-18100	GASKET	1								
12-1	2	129535-18100	GASKET	1								N
(A=E06177)												
13	2	129150-32020	GASKET, PUMP	1								
14	2	24321-000550	O-RING, 1AG55.0	1								
15	2	24311-000200	O-RING, 1AP20.0	1								
16	2	24311-000210	O-RING, 1AP21.0	1								
17	2	129103-35121	GASKET	1								
17-1	2	129103-35122	GASKET	1								N
(A=E05400)												
18	2	129100-42020	GASKET, WATER PUMP	1								
19	2	129795-49550	GASKET	1								
19-1	2	129795-49551	GASKET	1								N
(A=E05400)												
20	2	129150-49810	GASKET, THERMOSTAT	1								
20-1	2	129150-49811	GASKET, THERMOSTAT	1								N
(A=E05400)												
21	2	129100-49840	GASKET	1								
22	2	24321-000650	O-RING, 1AG65.0	1								
23	2	129150-77510	GASKET	1								
23-1	2	129150-77511	GASKET	1								N
(A=E05400)												
24	2	129100-77510	GASKET, AIR HEATER	2								
25	2	129400-13200	GASKET, SILENCER	1								
25-1	2	129400-13201	GASKET, SILENCER	1								N
(A=E05400)												

Remarks  
(1) OPTIONAL PART.

N:Old  $\frac{100}{100}$  New, Q:Old  $\frac{100}{100}$  New, R:Old  $\frac{100}{100}$  New, S:Old  $\frac{100}{100}$  New, W:Add, Z:Discontinued, F:Interchangeable by set, K:Qty Change  
Copyright (C) YANMAR CO., LTD. All Rights Reserved.

OCD10-M37503

Fig.27. SPECIAL TOOL(OPTIONAL)



No.	Lev.	Parts No.	Description	Q'ty						I	R
				(A)	(B)	(C)	(D)	(E)	(F)		
1	1	129400-92420	FLEX HORN	1						1	

(A)=4TNA78TL-RFA  
(B)=  
(C)=

(D)=  
(E)=  
(F)=

Remarks  
(1) OPTIONAL PART.

N:Old  $\frac{Y05}{10}$  New. Q:Old  $\frac{H0}{100}$  New. R:Old  $\frac{Y05}{100}$  New. S:Old  $\frac{H0}{100}$  New. W:Add. Z:Discontinued. F:Interchangeable by set. K:Q'ty Change  
Copyright (C) YANMAR CO., LTD. All Rights Reserved.

## Parts No. Index

Parts No.	Fig. No.	Ref. No.	Parts No.	Fig. No.	Ref. No.	Parts No.	Fig. No.	Ref. No.	Parts No.	Fig. No.	Ref. No.
101304-59020	20	17	121100-22400	12	4	124550-51350	18	20	129100-77510	26	24
103338-11190	6	13	121111-21501	11	9	124550-51370	18	21	129103-33031	13	4
103854-39140	20	16	121236-42290	15	5	124550-59820	14	3	129103-33132	13	5
104200-55321	20	2	121250-59550	21	1	124550-66370	22	35	129103-35101	13	16
104200-55330	20	3	121256-44600	17	15	124736-07900	6	38	129103-35121	13	29
104200-55750	20	9	121400-11340	6	15	124766-59050	20	18		26	17
104200-59170	20	19	121420-01760	5	7			18 -1		13	29 -1
105010-39140	14	2	121420-12511	7	3		21	8	129103-35122	26	17 -1
105025-59530	20	21	121420-12530	7	5	124950-51190	18	10	129103-49301	15	3
	21	9	121420-12540	7	6	128270-13620	14	11	129107-66810	23	5
114250-53080	19	3	121420-12550	7	7	129100-01580	3	1	129107-66820	23	6
114250-53120	19	5	121420-12561	7	8			6	129110-44740	15	7
114250-53130	19	6	121422-12570	7	9		11	4 B	129116-49290	17	5 -1
114250-53140	19	7	121450-01560	2	3			8	129122-44480	17	1
114250-53210	19	8	121450-42450	17	8	129100-01640	3	7	129135-12501	7	2 -1
114250-53400	19	9	121505-12210	7	1	129100-01790	4	3	129150-01200	1	12
119129-77300	25	2	121550-23200	12	8	129100-11100	6	9	129150-01660	3	9
119129-77320	25	3	121850-11860	6	5	129100-11130	6	10		26	6
119129-77330	25	5	121850-21680	11	7	129100-23910	12	11	129150-02020	1	8
119129-77340	25	6	121850-35200	13	18	129100-25061	9	6	129150-02450	1	14
119129-77350	25	7	121850-35520	13	25	129100-35140	13	17		9	3 A
119129-77360	25	12	121850-35531	13	26	129100-42001	15	1	129150-02800	1	9
119129-77370	25	13	121850-51960	2	9	129100-42002	15	1 -1	129150-02870	1	16
119129-77380	25	8		26	5	129100-42020	15	2	129150-02930	1	10
119129-77810	25	9	122117-51560	18	34		26	18	129150-02940	1	17
119129-77820	25	10	122710-51090	18	5	129100-49050	17	6	129150-03010	5	1 A
119129-77840	25	15	123678-18320	8	13 -1	129100-49800	16	3	129150-03070	5	3
119129-77850	25	17	124066-59100	20	13	129100-49820	16	5	129150-03080	5	2
119129-77870	25	16		21	2	129100-49830	16	6	129150-03100	2	25
119129-77890	25	20	124080-77520	25	23 A	129100-49840	16	11		5	11
119129-77910	24	26	124160-01751	2	4		26	21	129150-11050	6	2
119129-77920	24	27		5	6	129100-51300	18	17	129150-11230	6	30
119129-77930	25	18	124160-01910	1	3	129100-52200	18	59	129150-11280	6	27
119129-77940	25	11	124160-11360	5	12	129100-55621	20	1	129150-11370	6	18
119129-77960	25	4	124160-39140	14	7	129100-55650	20	4	129150-11750	6	29
119260-34810	13	10	124160-39450	14	1	129100-55670	20	5	129150-11810	6	4
119620-01750	3	3	124223-35510	13	24	129100-55680	20	6	129150-14101	9	2
119620-49290	17	5	124223-39900	14	9 -1	129100-55690	20	7	129150-14200	9	4
119625-11870	6	33	124240-01871	2	6	129100-55700	20	8	129150-21200	11	2
119625-11880	6	34	124240-01882	2	7	129100-59951	21	6	129150-22300	12	3
119625-11900	6	35		26	4	129100-61400	22	16	129150-23600	12	9 -1
119643-66900	24	24	124240-01883	2	7 -1	129100-61440	22	18	129150-23610	12	10
119808-12510	7	4 -1		26	4 -1	129100-61450	22	55	129150-25101	9	7
119808-12520	7	3 -1	124450-44510	17	10	129100-61650	22	27 -1	129150-25900	18	64
119808-12530	7	5 -1	124450-44530	17	11	129100-61820	22	31	129150-32020	13	2
119808-12540	7	5 A	124450-44550	17	14	129100-61821	22	31 -1		26	13
119840-59560	21	4	124450-44560	17	12	129100-61930	22	33	129150-35040	13	13
119840-59570	21	7	124460-11340	6	14	129100-77330	25	27	129150-35041	13	13 -1
120130-11860	6	3	124465-44950	17	9	129100-77500	8	14	129150-35091	13	14
121027-11742	5	13	124550-21600	11	11	129100-77510	8	16	129150-35150	13	30

## Parts No. Index

Parts No.	Fig. No.	Ref. No.
129150-49360	17	16
129150-49810	16	10
	26	20
129150-49811	16	10 -1
	26	20 -1
129150-59130	19	11
129150-59580	20	14
	21	5
129150-77340	25	24
129150-77510	8	17
	26	23
129150-77511	8	17 -1
	26	23 -1
129150-91400	2	22
129155-11260	6	25
129155-11270	6	26
129155-49800	16	9
129155-51020	18	54
129155-51050	18	3
129155-51060	18	4
129155-51140	18	7
129155-51180	18	9
129155-51200	18	11
129155-51270	18	15
129155-51280	18	16
	22	1 A
129155-51320	18	18
129155-51340	18	19
129155-51370	18	22
129155-51380	18	23
129155-51390	18	24
129155-51410	18	26
129155-51420	18	57
129155-51450	18	27
129155-51521	18	30
129155-51530	18	31
129155-51540	18	32
129155-51550	18	33
129155-51570	18	36
129155-51580	18	37
129155-51591	18	38
129155-51600	18	39
129155-51790	18	44
129155-51930	18	46
129155-51940	18	47
129155-52020	18	60
129155-52050	18	62
129155-61010	22	2
129155-61011	22	2 -1
129155-61050	22	3

Parts No.	Fig. No.	Ref. No.
129155-61060	22	4
129155-61070	22	5
129155-61090	22	6
129155-61120	22	7
129155-61130	22	8
129155-61140	22	9
129155-61150	22	10
129155-61160	22	11
129155-61170	22	12
129155-61180	22	13
129155-61201	22	14
129155-61341	22	15
129155-61350	22	56
129155-61360	22	57
129155-61430	22	17
129155-61450	22	20
129155-61460	22	21
129155-61470	22	52
129155-61480	22	22
129155-61490	22	23
129155-61540	22	26
129155-61810	22	30
129155-61830	22	32
		32 -1
		32 -2
129155-61950	22	34
129156-51910	18	45
129255-52000	18	61
129255-61801	22	29
129255-61802	22	29 -1
129350-49530	16	1
129400-01520	2	5
129400-01730	4	5
129400-11350	5	1
129400-12100	8	1
129400-13200	7	11
	26	25
129400-13201	7	11 -1
	26	25 -1
129400-77500	8	15
129400-77501	8	15 -1
129400-92420	27	1
129403-13130	8	9
129403-18050	10	1
129403-18090	7	13
	26	11
129403-18500	10	5
129403-18510	10	6
129403-18520	10	7
129403-18530	10	8

Parts No.	Fig. No.	Ref. No.
129403-18530	10	35
129403-18540	10	9
		36
129403-18550	10	10
		37
129403-18560	10	11
129403-18570	10	12
129403-18580	10	31
129403-18590	10	38
129403-18600	10	39
129403-18610	10	14
129403-18620	10	15
		26
		40
129403-18630	10	16
		41
129403-18640	10	19
129403-18650	10	20
		42
129403-18660	10	21
		43
129403-18670	10	23
129403-18680	10	24
		44
129403-18690	10	45
129403-18700	10	32
		46
129403-18710	10	33
		47
129403-18720	10	2
129403-18730	10	17
129403-18740	10	27
129403-18750	10	3
129403-18760	10	28
129403-18770	10	4
129403-18780	10	13
129403-18790	10	18
129403-18800	10	22
129403-18810	10	25
129403-18820	10	30
129403-18830	10	34
129403-39450	14	8
129403-39600	14	12
129403-39610	14	13
129403-42380	15	6
129403-49031	17	2
129403-49050	17	3
129470-11080	6	20
129470-11090	6	21
129470-51040	18	2

Parts No.	Fig. No.	Ref. No.
129470-51101	18	6
129477-18100	10	50
	26	12
	12	1
129500-22090	19	13
129500-59910	19	14
129500-59920	19	15
129500-59930	19	16
129500-59940	22	24 -1
129500-61500	19	2
129503-53000	23	2
129505-66830	8	5
129535-12080	7	2
129535-12500	7	10
129535-12800	7	12
129535-13500	10	50 -1
129535-18100	26	12 -1
	11	10
129535-21590	13	9
129535-34800	13	11
129535-34810	13	11 -1
129535-34811	20	23
129535-52100	20	23 A
129535-52150	20	24
129535-59510	23	1
129535-66790	25	1
129535-77200	6	23
129550-11290	5	9
129550-11310	26	8
	8	2
129550-12110	26	9
	8	2 -1
	26	9 -1
129550-12111	8	8
	26	10
129550-13110	9	5
	19	10
129550-14400	13	1
129550-59120	13	19
129553-32000	13	20
129553-35500	13	21
129553-35520	13	22
129553-35530	13	22
129553-35540	13	33
129553-39650	1	13
129555-01332	26	2
	6	22
129555-11241	18	25
129555-51400	18	28
129555-51500	18	40
129555-51700	18	41
129555-51710	18	41

## Parts No. Index

Parts No.	Fig. No.	Ref. No.
129555-51750	18	42
129555-51760	18	43
129555-59510	20	20
129566-66880	23	3
129566-66890	23	4
129792-39410	13	32
129795-01780	3	8
129795-01800	2	2
129795-01950	2	8
129795-02411	1	11
129795-11120	6	11
129795-11180	6	12
129795-21661	11	6
129795-49550	16	2
	26	19
129795-49551	16	2 -1
	26	19 -1
135210-61090	22	59
160970-77350	24	25
171051-01921	1	2
171061-12520	7	4
171301-01640	4	2
171301-21650	11	5
171340-77520	8	18
171350-03090	5	10
171353-44760	15	8
171353-61051	22	24
171353-61550	22	19
171353-61652	22	27
171353-61670	22	53
171353-61680	22	54
171353-61710	22	28
171440-01600	3	2
174307-51170	18	8
174307-51560	18	35
174307-51700	22	25
194990-22050	7	14
	10	51 -1
22117-040000	22	36
		36 -1
22117-080000	23	7
22190-100000	22	37
22213-080000	10	52
22217-050000	18	48
	22	38
	25	21
22217-060000	18	49
22217-120000	18	65
22272-000040	22	39
22272-000060	22	40

Parts No.	Fig. No.	Ref. No.
22273-000040	10	29
		48
22287-120000	22	41
22351-030010	13	34
22351-030016	22	42
22351-040010	11	3
22351-050010	18	50
22351-060012	6	19
22360-040000	22	43
22360-080000	23	8
22372-040000	22	43 -1
22451-060000	22	60
22512-070140	9	3
	11	4
23000-013000	20	22
23000-016000	17	7
23000-022000	14	14
	17	4
23000-054000	8	6
23000-060000	8	7
23061-070230	17	13
23080-012000	10	49
23297-080081	14	9
23414-050000	22	44
23414-080000	14	6
23414-100000	14	5
23414-120000	21	3
23414-180000	13	27
23871-010000	1	4
23871-020000	13	28
23871-030000	6	6
	8	4
	16	7
23887-100002	22	45
24101-063033	18	51
24101-063034	18	51 -1
24190-130001	13	23
24311-000120	5	14
24311-000160	2	10
	20	10
24311-000200	13	6
	26	15
24311-000210	13	7
	26	16
24311-000320	2	11
	5	7 -1
	26	3
24311-240100	13	12
	20	11
	22	58

Parts No.	Fig. No.	Ref. No.
24314-000160	14	15
24321-000350	5	15
24321-000550	13	8
	26	14
24321-000650	20	12
	26	22
24341-000160	18	52
24341-000240	2	23
	4	4
24341-000500	5	4
	26	7
26014-080252	25	28
26022-050102	18	55
	22	48
	48	-1
26022-060162	18	56
26106-060162	2	24
	14	16
26106-060202	22	46
26106-060352	15	9
26106-080102	14	10
26106-080122	2	12
	23	9
		10
26106-080142	6	39
26106-080162	1	15
	2	13
		14
	4	6
	5	5
26106-080202	2	15
	16	12
26106-080252	4	7
	6	36
	16	13
26106-080302	3	10
26106-080352	3	11
	8	3
	13	15
26106-080452	2	16
	4	8
	9	9
26106-080502	4	9
	6	37
	16	14
26106-080552	2	17
	8	19
26106-080602	15	4
	16	15
26106-080652	8	10

Parts No.	Fig. No.	Ref. No.
26106-080752	13	31
26106-080802	20	15
26106-080852	2	18
	8	11
26106-080952	8	20
26106-081002	8	12
26106-081202	25	25
26116-050102	23	11
26116-050122	25	14
		19
		22
26116-050302	18	53
26116-060162	16	8
26116-120252	24	1
26206-100252	3	4
26206-100302	3	5
26216-060202	6	16
26216-080222	8	13
26226-080182	6	31
26366-060002	6	17
26366-080002	2	19
	10	51
	22	47
	25	26
26450-060252	13	3
26687-120002	22	33 -1
26713-080002	10	51 -2
26716-060002	18	29
26716-120002	18	66
26756-050002	25	23
26756-060002	22	49
26756-080002	6	32
26776-120002	22	50
27231-500000	1	5
27241-120000	1	6
27241-220000	6	7
27241-300000	1	7
27241-400000	6	8
27310-080001	6	13 -1
43400-500390	22	44 -1
43400-500410	2	20
		21
	14	4
43400-500430	22	37 -1
43400-500450	22	51
43400-500490	18	58
46120-500821	24	2
719810-01500	2	1
729150-11650	6	28
729150-23600	12	9

## Parts No. Index

Parts No.	Fig. No.	Ref. No.
729402-01540	4	1 -1 1 -3
729402-11650	6	28 -1
729402-14580	9	1
729403-11700	6	1
729488-01540	4	1
729500-01560	1	1
729500-21700	11	1 -2
729500-22910	12	5
729503-53100	19	1
729535-51360	18	1
729535-92600	26	1
729535-92601	26	1 -1
729535-92602	26	1 -2
729550-22500	12	2
729550-22950	12	6
729550-23700	12	7
729577-01720	4	1 -2
X21201115	24	4
X21204401	24	15
X21301310	24	13 18
X21301827	24	23
X21302605	24	19
X21302610	24	20
X21303400	24	14
X21304313	24	10
X22501324	24	11
X22502323	24	9
X225031001	24	3
X22503820	24	22
X22504305	24	8
X22504322	24	7
X225047002	24	21
X225052001	24	6
X22506105	24	5
X225073012	24	12
X225075004	24	16
X225086005	24	17

Parts No.	Fig. No.	Ref. No.
-----------	----------	----------

Parts No.	Fig. No.	Ref. No.
-----------	----------	----------

Parts No.	Fig. No.	Ref. No.
-----------	----------	----------