

0CD10-M25601EN

PREFACE

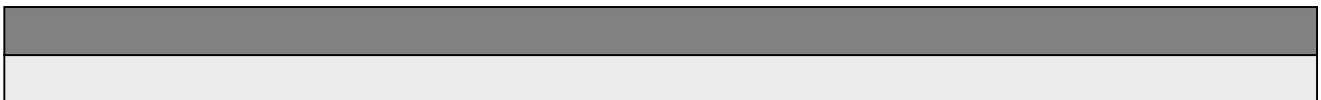
1. This Parts Catalog is the 1st edition of 4TNA78L-RNK Diesel Engine for HANIX IND..

Pub. No. : 000Y00D2561

Published : August, 1991

2. Model name

Engine model	Vehicle		Vehicle made by
	Products	Model name	
4TNA78L-RNK	—	—	HANIX IND.



Directions for the Parts Catalog.

1. This Parts Catalog shows both standard and optional parts.
2. Parts may change without prior notice.
3. The following is an example of the Parts Catalog format.

REF.	LEV.	PARTS NO.	DESCRIPTION	Q'TY						I	R
				(A)	(B)	(C)	(D)	(E)	(F)		
1	1	729595-51390	FUEL INJECTION PUMP	1	1	1	1	1			1
1-1	1	729595-51391	FUEL INJECTION PUMP	1	1	1	1	1		N	1
		(A=E00185) (B=E00200)									
3	2	26022-060162	SCREW M 6X 16	9	9	9	9	9			
3-1	2	26022-060162	SCREW M 6X 16	4	4	4	4	4		K	
		(A=E00156) (B=E00156) (C=E00156) (D=E00156) (E=E00156)									
4	2	129470-51040	CAMSHAFT	1	1	1	1	1			
5	2	122710-51050	BEARING, ROLLER	2	2	2	2	2			
6	2	129470-51060	RETAINER	1	1	1	1	1			

Remarks
(1) BOOST COMPEMSATOR TYPE. OPTIONAL PART, TO E00155,(4JH-DT, 4JH-DTZ

① Ref. No.

The Ref. No. listed may not be in accordance with the illustration Ref. No.

(Ex.) Illustration No. List Ref No.

1 1 (Before change) → 1-1 (After change)

For interchangeable symbols N, R and K, illustrations for new parts may be abbreviated.

② Lev. (Level)

Level indication

The numbers below indicate the level of relativity towards the main part.

1 ---- Main parts (Assembly parts)

2 ---- Sub component included in " 1 ".

3 ---- Sub component included in " 2 ".

Note) Parts that are not for sale are partially illustrated but not listed.

③ Interchangeability Symbol

When a part change takes place, one of the following interchangeability symbols is indicated beside the part.

Symbol	Interchangeability	Contents note
N	Old $\begin{matrix} \leftarrow \text{Yes} \\ \text{No} \rightarrow \end{matrix}$ New	New Part is interchangeable for Old Part but Old Part is not interchangeable for New Part.
Q	Old $\begin{matrix} \leftarrow \text{No} \\ \text{Yes} \rightarrow \end{matrix}$ New	New Part is not interchangeable for Old Part but Old Part is interchangeable for New Part.
R	Old $\begin{matrix} \leftarrow \text{Yes} \\ \text{Yes} \rightarrow \end{matrix}$ New	New/ Old Parts are both interchangeable.
S	Old $\begin{matrix} \leftarrow \text{No} \\ \text{No} \rightarrow \end{matrix}$ New	New/ Old Parts are both not interchangeable.
W		Part newly added.
Z		Part discontinued.
F		Not interchangeable by a single part but interchangeable together with related parts.
K		Changes only for used parts quantities.

④ Effective Machine No.

When a part changes, the effective Machine No. will be indicated in the (A)-(F) column.

Product Symbol	Product No.	Product Symbol	Product No.
C	Clutch No. Compressor No.	F	Machine No. (Agricultural Equip.)
D	Drive No.	M	Machine No.
E	Engine No.		

Note 1) A date may follow the symbol. (Ex.) 1996.01

Note 2) "XXXXX" and "ZZZZZ" are for parts that could not be predicted or for engine models that could not be identified.

Note 3) (A=E00185) is the E (Engine Serial Number) for the column (A) model (in this case 4JH-DT) after the parts design change.

⑤ Remarks

Figures or alphabets (symbols) are entered in the remarks column.

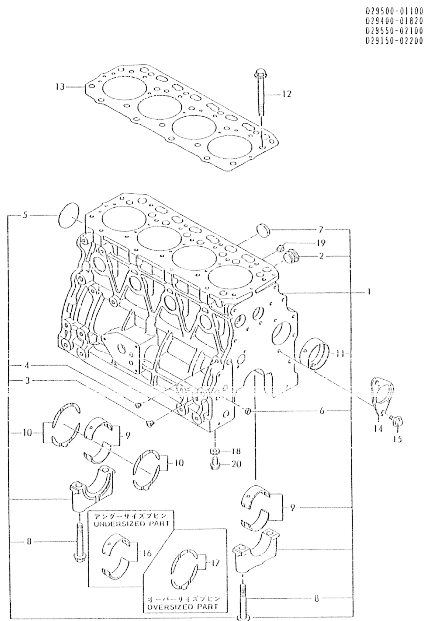
The comments (remarks) on parts that are indicated at the bottom of the illustration are the same symbols as those stated above.

Contents

Fig. No.	Fig. Name	Fig. No.	Fig. Name
ENGINE 4TNA78L-RNK		25.	LUB.OIL DIPSTICK
1.	CYLINDER BLOCK	26.	LUB.OIL SUCTION PIPE
2.	GEAR HOUSING	27.	LUB.OIL STRAINER
3.	FLYWHEEL HOUSING	28.	LUB.OIL LINE
4.	LUB. OIL SUMP	29.	COOLING WATER PUMP
5.	OIL SEAL HOUSING	30.	FAN PULLEY
6.	BLIND COVER	31.	COOLING WATER FAN
7.	BREATHER	32.	THERMOSTAT
8.	BREATHER PIPE	33.	COOLING WATER LINE(BY-PASS)
9.	ENGINE LIFTER	34.	TEMPERATURE SENDER
10.	CYLINDER HEAD	35.	FUEL INJECTION PUMP
11.	BONNET	36.	FUEL INJECTION VALVE
12.	SUCTION MANIFOLD	37.	FUEL STRAINER
13.	AIR CLEANER	38.	FUEL INJECTION PIPE
14.	EXHAUST MANIFOLD	39.	FUEL LINE
15.	SILENCER	40.	FUEL RETURN LINE
16.	CAMSHAFT	41.	GOVERNOR
17.	CRANKSHAFT	42.	ENGINE STOP
18.	CRANK PULLEY	43.	STARTING MOTOR(COMPONENT PARTS)
19.	FLYWHEEL	44.	GENERATOR(COMPONENT PARTS)
20.	PISTON	45.	AIR HEATER
21.	CONNECTING ROD	46.	GASKET SET
22.	IDLE GEAR	47.	SPECIAL TOOL(OPTIONAL)
23.	FUEL INJECTION PUMP GEAR		
24.	LUB.OIL PUMP		

OCD10-M25601

Fig.1. CYLINDER BLOCK



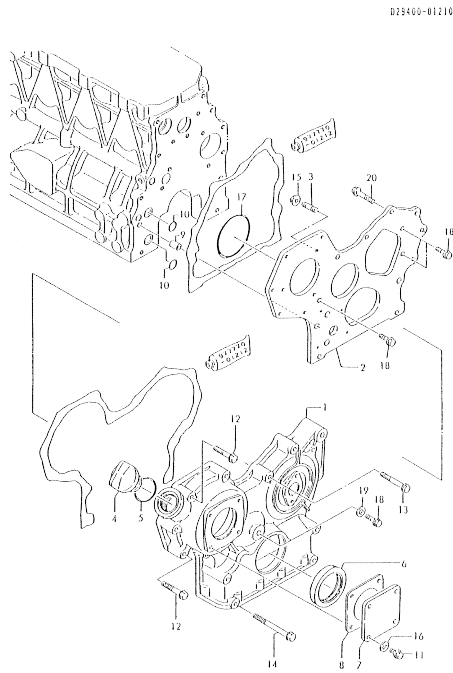
No.	Lev.	Parts No.	Description	Q'ty						I	R
				(A)	(B)	(C)	(D)	(E)	(F)		
1	1	729500-01560	BLOCK ASSY, CYLINDER	1							
2	2	171051-01921	PLUG, NPTF1	1							
3	2	124160-01910	PLUG, PT1/4	3							
3-1	2	124160-01910	PLUG, PT1/4	2							K
		(A=E000)									
4	2	23871-010000	PLUG, R01	1							
5	2	27231-500000	PLUG 50	1							
6	2	27241-120000	PLUG, 12	2							
7	2	27241-300000	PLUG 30	8							
8	2	129150-02020	BOLT, METAL CAP	10							
9	2	129150-02800	BEARING, MAIN	5							
10	2	129150-02930	BEARING, THRUST	2							
11	2	129795-02411	BUSH, CAMSHAFT	1							
12	1	129150-01200	BOLT, HEAD	18							
13	1	129555-01332	GASKET, HEAD	1							
14	1	129150-02450	BEARING, THRUST	1							
15	1	26106-080162	BOLT, M8X 16 PLATED	2							
16	1	129150-02870	BEARING, 0.25 US	5							1
17	1	129150-02940	BEARING, THRUST 0.25	1							2
18	1	23414-080000	GASKET, 8X1.0	4							
19	1	23871-030000	PLUG, R03	1							
20	1	26106-080122	BOLT, M8X 12 PLATED	4							

Remarks
 (1) UNDER-SIZE(U.S=0.25)PART.
 (2) OVER-SIZE(O.S=0.25)PART.

N:Old $\frac{100}{100}$ New, Q:Old $\frac{100}{100}$ New, R:Old $\frac{100}{100}$ New, S:Old $\frac{100}{100}$ New, W:Add, Z:Discontinued, F:Interchangeable by set, K:Qty Change
 Copyright (C) YANMAR CO., LTD. All Rights Reserved.

OCD10-M25601

Fig.2. GEAR HOUSING

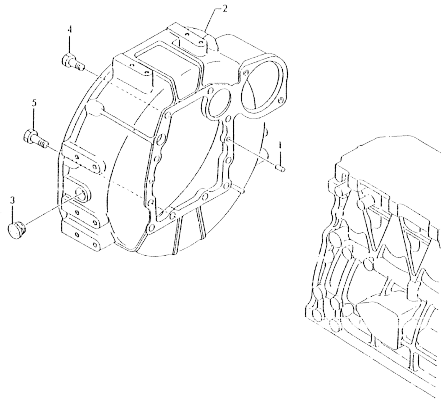


No.	Lev.	Parts No.	Description	Q'ty						I	R
				(A)	(B)	(C)	(D)	(E)	(F)		
1	1	129400-01500	CASE, GEAR	1							
2	1	129400-01520	FLANGE, GEAR CASE	1							
3	1	121450-01560	STUD, M8X22	3							
4	1	124160-01751	COVER, FILLER	1							
5	1	24311-000320	O-RING, 1AP32.0	1							
6	1	129795-01800	SEAL, OIL	1							
7	1	124240-01871	COVER	1							
8	1	124240-01882	GASKET	1							
8-1	1	124240-01883	GASKET	1							N
(A=1990.01)											
9	1	129795-01950	PIPE, KNOCK L=18	2							
10	1	24311-000160	O-RING, 1AP16.0	2							
11	1	26106-080122	BOLT, M8X 12 PLATED	4							
12	1	26106-080452	BOLT, M8X 45 PLATED	6							
13	1	26106-080552	BOLT, M8X 55 PLATED	3							
14	1	26106-080852	BOLT, M8X 85 PLATED	4							
15	1	26366-080002	NUT, M8	3							
16	1	43400-500410	SEAL WASHER 8S	4							
17	1	121850-51960	O-RING	1							
18	1	26106-080162	BOLT, M8X 16 PLATED	4							
19	1	43400-500410	SEAL WASHER 8S	1							
20	1	26106-080202	BOLT, M8X 20 PLATED	2							

N:Old $\frac{100}{100}$ New, Q:Old $\frac{100}{100}$ New, R:Old $\frac{100}{100}$ New, S:Old $\frac{100}{100}$ New, W:Add, Z:Discontinued, F:Interchangeable by set, K:Q'ty Change
 Copyright (C) YANMAR CO., LTD. All Rights Reserved.

OCD10-M25601

Fig.3. FLYWHEEL HOUSING



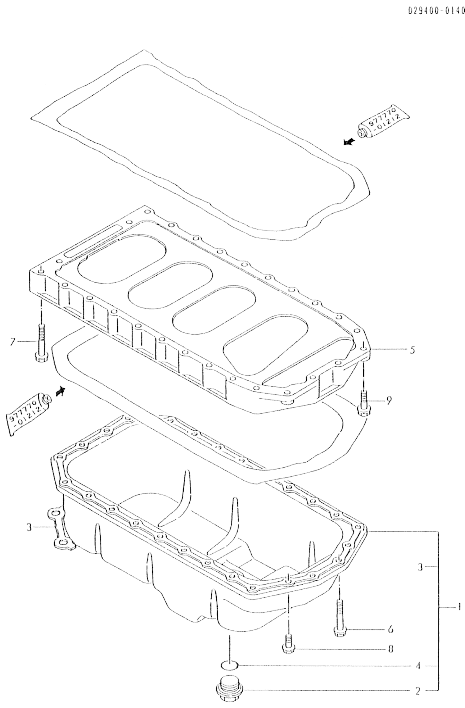
029160-01300

No.	Lev.	Parts No.	Description	Q'ty					
				(A)	(B)	(C)	(D)	(E)	(F)
1	1	129100-01580	PIN, M8X16	2					
2	1	171420-01600	HOUSING, FLYWHEEL	1					
3	1	119620-01750	CAP	1					
4	1	26206-100252	BOLT, M10X 25 PLATED	6					
5	1	26206-100302	BOLT, M10X 30 PLATED	4					

N:Old $\frac{New}{Old}$ New. Q:Old $\frac{New}{Old}$ New. R:Old $\frac{New}{Old}$ New. S:Old $\frac{New}{Old}$ New. W:Add. Z:Discontinued. F:Interchangeable by set. K:Q'ty Change
 Copyright (C) YANMAR CO., LTD. All Rights Reserved.

OCD10-M25601

Fig.4. LUB. OIL SUMP

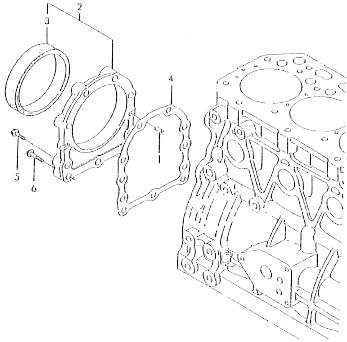


No.	Lev.	Parts No.	Description	Q'ty						I	R
				(A)	(B)	(C)	(D)	(E)	(F)		
1	1	729488-01540	SUMP ASSY, OIL	1							
1-1	1	729402-01540 (A=*1990.)	SUMP ASSY, OIL	1							N
1-2	1	729577-01720 (A=*1991.)	SUMP ASSY, OIL	1							R
1-3	1	729402-01540 (A=*1991.)	SUMP ASSY, OIL	1							R
2	2	171301-01640	PLUG, 22	1							
3	2	129100-01790	RETAINER	2							
4	2	24341-000240	O-RING, 1AS24.0	1							
5	1	129400-01730	SPACER, OIL SUMP	1							
6	1	26106-080162	BOLT, M8X 16 PLATED	4							
7	1	26106-080252	BOLT, M8X 25 PLATED	2							
8	1	26106-080452	BOLT, M8X 45 PLATED	20							
9	1	26106-080502	BOLT, M8X 50 PLATED	4							

N:Old $\frac{New}{Old}$ New. Q:Old $\frac{New}{Old}$ New. R:Old $\frac{New}{Old}$ New. S:Old $\frac{New}{Old}$ New. W:Add. Z:Discontinued. F:Interchangeable by set. K:Q'ty Change
Copyright (C) YANMAR CO., LTD. All Rights Reserved.

OCD10-M25601

Fig.5. OIL SEAL HOUSING



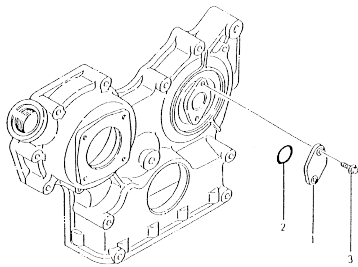
0:9100-01310

No.	Lev.	Parts No.	Description	Q'ty						I	R
				(A)	(B)	(C)	(D)	(E)	(F)		
1	1	129100-01580	PIN, M8X16	2							
2	1	129100-01640	CASE ASSY, OIL SEAL	1							W
(A=*1990.05)											
3	2	129795-01780	SEAL, OIL	1							
4	1	129150-01660	GASKET	1							Z
(A=*1988.)											
5	1	26106-080302	BOLT, M8X 30 PLATED	6							
6	1	26106-080352	BOLT, M8X 35 PLATED	3							

N:Old $\frac{N05}{10}$ New. Q:Old $\frac{H0}{100}$ New. R:Old $\frac{N05}{100}$ New. S:Old $\frac{H0}{10}$ New. W:Add. Z:Discontinued. F:Interchangeable by set. K:Q'ty Change
 Copyright (C) YANMAR CO., LTD. All Rights Reserved.

OCD10-M25601

Fig.6. BLIND COVER

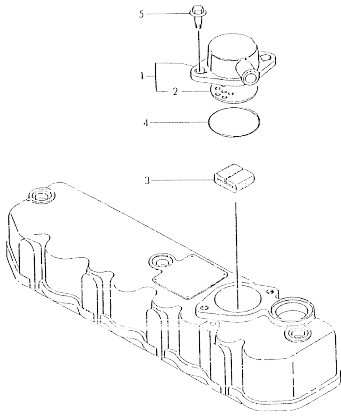


029100-01810

No.	Lev.	Parts No.	Description	Q'ty						I	R
				(A)	(B)	(C)	(D)	(E)	(F)		
1	1	121023-01550	COVER	1							
2	1	24311-000260	O-RING, 1AP26.0	1							
2-1	1	24341-000240	O-RING, 1AS24.0	1							S
		(A=*1989.01)									
3	1	26106-060122	BOLT, M6X 12 PLATED	2							

OCD10-M25601

Fig.7. BREATHER



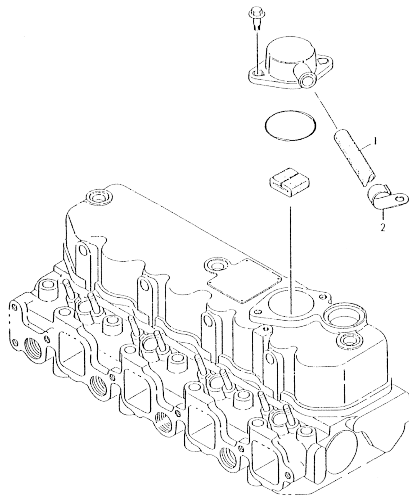
029100-03100

No.	Lev.	Parts No.	Description	Q'ty					
				(A)	(B)	(C)	(D)	(E)	(F)
1	1	129150-03010	COVER ASSY	1					
2	2	129150-03080	PLATE, BAFFLE	1					
3	1	129150-03070	BAFFLE, BREATHER	1					
4	1	24341-000500	O-RING, 1AS50.0	1					
5	1	26106-080162	BOLT, M8X 16 PLATED	2					

N:Old $\frac{Y00}{100}$ New, Q:Old $\frac{H0}{100}$ New, R:Old $\frac{Y00}{100}$ New, S:Old $\frac{H0}{100}$ New, W:Add, Z:Discontinued, F:Interchangeable by set, K:Q'ty Change
 Copyright (C) YANMAR CO., LTD. All Rights Reserved.

OCD10-M25601

Fig.8. BREATHER PIPE



No.	Lev.	Parts No.	Description	Q'ty					
				(A)	(B)	(C)	(D)	(E)	(F)
1	1	129150-03090	HOSE, ID16X2T	1					
2	1	129150-03100	RETAINER, PIPE	1					

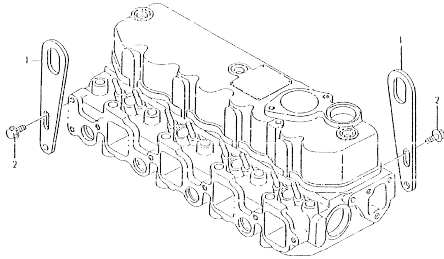
OCD10-M25601

Fig.9. ENGINE LIFTER

(A)=4TNA78L-RNK
(B)=
(C)=
(D)=
(E)=
(F)=

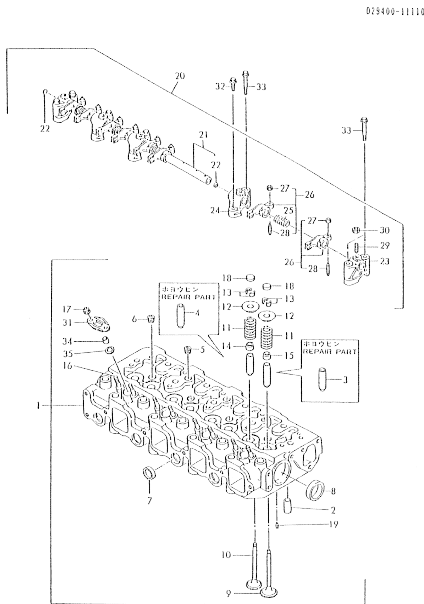
No.	Lev.	Parts No.	Description	Q'ty						I	R
				(A)	(B)	(C)	(D)	(E)	(F)		
1	1	124736-07900	LIFTER	2							
2	1	26106-080142	BOLT, M8X 14 PLATED	4							

021060-02300



OCD10-M25601

Fig.10. CYLINDER HEAD



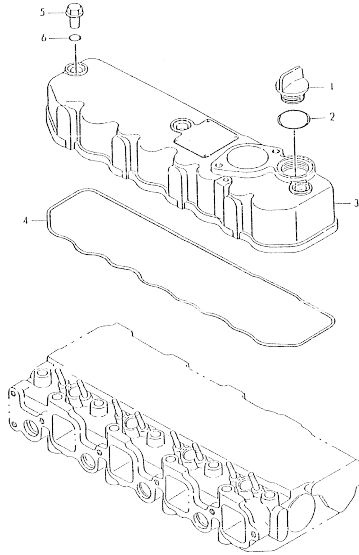
No.	Lev.	Parts No.	Description	Q'ty						I	R
				(A)	(B)	(C)	(D)	(E)	(F)		
1	1	729400-11700	HEAD ASSY, CYLINDER	1							
2	2	129150-11050	PIECE	4							
3	2	120130-11860	GUIDE, VALVE	4							
4	2	129150-11810	GUIDE, VALVE	4							1
5	2	121850-11860	PLUG, PT1/4	3							
6	2	23871-030000	PLUG, R03	4							
7	2	27241-220000	PLUG, 22	4							
8	2	27241-400000	PLUG, 40	2							
9	2	129100-11100	VALVE, INTAKE	4							
10	2	129100-11110	VALVE, EXHAUST	4							
11	2	129795-11120	SPRING, VALVE	8							
12	2	129795-11180	RETAINER, SPRING	8							
13	2	103338-11190	COTTER	8							
13-1	2	27310-080001	COTTER, 8	8							R
(A=EXXXXX)											
14	2	121400-11340	SEAL, VALVE STEM	4							
15	2	124460-11340	SEAL, VALVE STEM	4							
16	3	26216-060202	STUD, M6X 20	8							
17	2	26366-060002	NUT, M6	8							
18	2	129150-11370	CAP, VALVE	8							
19	2	22351-060012	PIN, SPRING 6.0X12	2							
20	1	129555-11241	SHAFT ASSY, ROCKER	1							
21	2	129550-11290	SHAFT, ROCKER ARM	1							
22	3	27241-100000	PLUG, 10	2							
23	2	129155-11260	SUPPORT, ROCKER ARM	2							
24	2	129155-11270	SUPPORT, ROCKER ARM	3							
25	2	129150-11280	SPRING	4							
26	2	729150-11650	ARM ASSY, ROCKER	8							
26-1	2	729402-11650	ARM ASSY, ROCKER	8							N
(A=1990.05)											
27	3	129150-11750	NUT, M8	8							
28	3	129150-11230	SCREW, VALVE ADJUST	8							
29	2	26226-080182	STUD, M8X 18	3							
30	2	26756-080002	NUT, LOCK M8	3							
31	1	119625-11900	RETAINER, NOZZLE	4							
32	1	26106-080252	BOLT, M8X 25 PLATED	3							
33	1	26106-080502	BOLT, M8X 50 PLATED	7							
34	1	119625-11870	PROTECTOR, NOZZLE	4							
35	1	119625-11880	SEAT, NOZZLE	4							

Remarks
(1)REPAIR PART.

N:Old $\frac{100}{100}$ New, Q:Old $\frac{100}{100}$ New, R:Old $\frac{100}{100}$ New, S:Old $\frac{100}{100}$ New, W:Add, Z:Discontinued, F:Interchangeable by set, K:Q'ty Change
Copyright (C) YANMAR CO., LTD. All Rights Reserved.

OCD10-M25601

Fig.11. BONNET

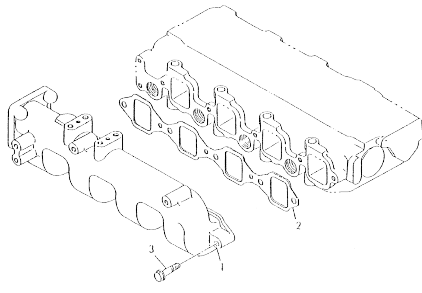


029400-11201

No.	Lev.	Parts No.	Description	Q'ty						I	R
				(A)	(B)	(C)	(D)	(E)	(F)		
1	1	124160-01751	COVER, FILLER	1							
2	1	121420-01760	O-RING	1							
2-1	1	24311-000320	O-RING, 1AP32.0	1							N
(A=E14065)											
3	1	129400-11300	BONNET	1							
4	1	129550-11310	GASKET, BONNET	1							
5	1	124160-11360	KNOB	3							
6	1	24311-000120	O-RING, 1AP12.0	3							

OCD10-M25601

Fig.12. SUCTION MANIFOLD



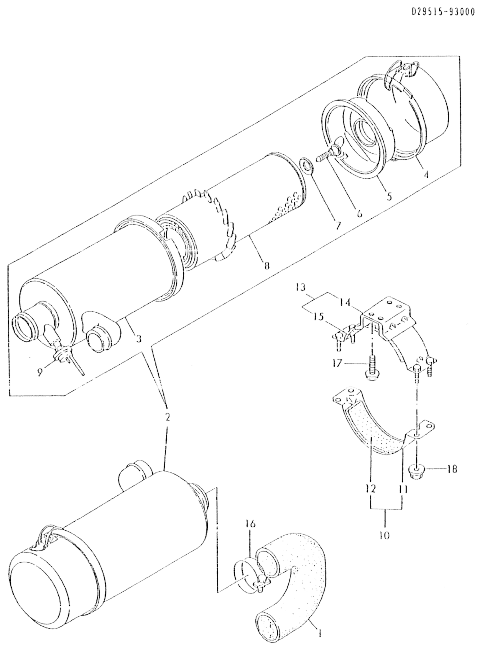
029488-12100

No.	Lev.	Parts No.	Description	Q'ty						I	R
				(A)	(B)	(C)	(D)	(E)	(F)		
1	1	129488-12100	MANIFOLD, AIR INTAKE	1							
2	1	129550-12110	GASKET, MANIFOLD	1							
2-1	1	129550-12111	GASKET, MANIFOLD	1							N
(A=*1990.06)											
3	1	26106-080352	BOLT, M8X 35 PLATED	5							

N:Old $\frac{New}{Old}$ New. Q:Old $\frac{New}{Old}$ New. R:Old $\frac{New}{Old}$ New. S:Old $\frac{New}{Old}$ New. W:Add. Z:Discontinued. F:Interchangeable by set. K:Q'ty Change
 Copyright (C) YANMAR CO., LTD. All Rights Reserved.

OCD10-M25601

Fig.13. AIR CLEANER

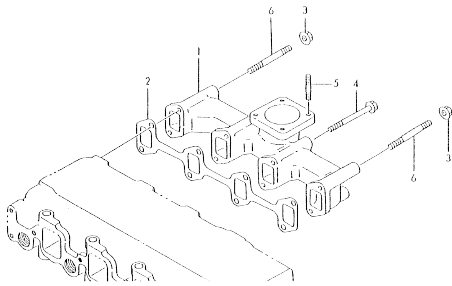


No.	Lev.	Parts No.	Description	Q'ty					
				(A)	(B)	(C)	(D)	(E)	(F)
1	1	171351-12210	PIPE, AIR INTAKE	1					
2	1	129515-12500	CLEANER ASSY, AIR	1					
3	2	129415-12520	CASE ASSY, CLEANER	1					
4	2	121120-12531	PAN, DUST	1					
5	2	121120-12541	RETAINER, ELEMENT	1					
6	2	121120-12561	BOLT	1					
7	2	121120-12571	WASHER, SEAL	1					
8	2	121120-12901	ELEMENT	1					
9	2	121262-12800	INDICATOR	1					
10	1	121400-12540	BAND ASSY, CLEANER	1					
11	2	121400-12560	BAND, AIR CLEANER	1					
12	2	121400-12570	SEAT, RUBBER B	1					
13	1	171351-12580	SUPPORT ASSY,CLEANER	1					
14	2	171351-12560	SUPPORT, AIR CLEANER	1					
15	2	171351-12570	SEAT, RUBBER	1					
16	1	23000-060000	CLAMP, 60	2					
17	1	26106-080142	BOLT, M8X 14 PLATED	4					
18	1	26366-060002	NUT, M6	4					

N:Old $\frac{100}{100}$ New, Q:Old $\frac{100}{100}$ New, R:Old $\frac{100}{100}$ New, S:Old $\frac{100}{100}$ New, W:Add, Z:Discontinued, F:Interchangeable by set, K:Q'ty Change
 Copyright (C) YANMAR CO., LTD. All Rights Reserved.

OCD10-M25601

Fig.14. EXHAUST MANIFOLD



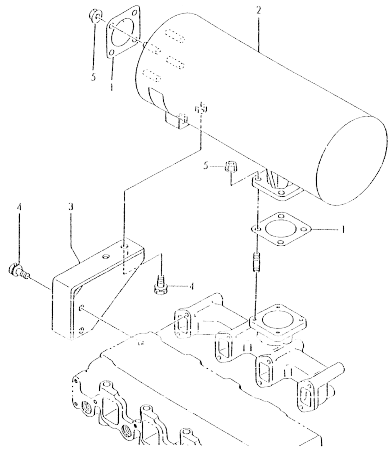
029411-13100

No.	Lev.	Parts No.	Description	Q'ty					
				(A)	(B)	(C)	(D)	(E)	(F)
1	1	129411-13100	MANIFOLD, EXHAUST	1					
2	1	129550-13110	GASKET	1					
3	1	194990-22050	NUT, M8	2					
4	1	26106-080802	BOLT, M8X 80 PLATED	6					
5	1	26216-080222	STUD, M8X 22	4					
6	1	26216-080802	STUD, M8X 80	2					

N:Old $\frac{New}{Old}$ New. Q:Old $\frac{New}{Old}$ New. R:Old $\frac{New}{Old}$ New. S:Old $\frac{New}{Old}$ New. W:Add. Z:Discontinued. F:Interchangeable by set. K:Q'ty Change
 Copyright (C) YANMAR CO., LTD. All Rights Reserved.

OCD10-M25601

Fig.15. SILENCER

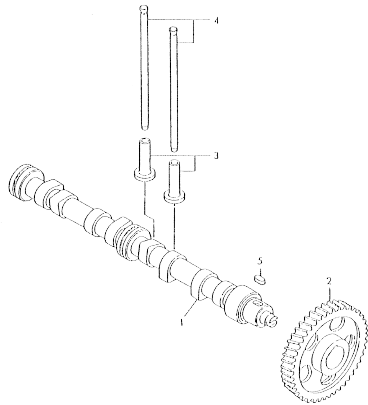


No.	Lev.	Parts No.	Description	Q'ty						I	R	
				(A)	(B)	(C)	(D)	(E)	(F)			
1	1	129400-13200	GASKET, SILENCER		2							
1-1	1	129400-13201 (A=*1990.06)	GASKET, SILENCER		2							N
2	1	129415-13500	SILENCER		1							
2-1	1	129415-13501 (A=*1989.06)	SILENCER		1							N
3	1	171350-13650	STAY, SILENCER		1							
4	1	26014-080202	BOLT, M8X 20		4							
5	1	194980-22050	NUT, M8		8							

N:Old $\frac{Y05}{10}$ New. Q:Old $\frac{H0}{100}$ New. R:Old $\frac{Y05}{100}$ New. S:Old $\frac{H0}{10}$ New. W:Add. Z:Discontinued. F:Interchangeable by set. K:Q'ty Change
 Copyright (C) YANMAR CO., LTD. All Rights Reserved.

OCD10-M25601

Fig.16. CAMSHAFT



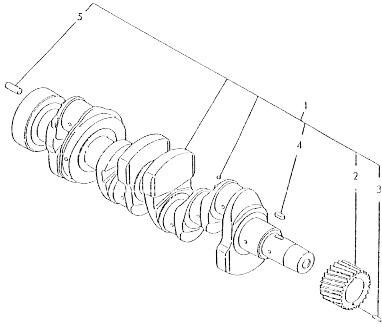
029550-14160

No.	Lev.	Parts No.	Description	Q'ty					
				(A)	(B)	(C)	(D)	(E)	(F)
1	1	129550-14011	CAMSHAFT	1					
2	1	129150-14101	GEAR, CAMSHAFT	1					
3	1	129150-14200	TAPPET	8					
4	1	129550-14400	ROD, PUSH	8					
5	1	22512-070140	KEY, 7X 14	1					

N:Old $\frac{YES}{NO}$ New. Q:Old $\frac{HE}{VCC}$ New. R:Old $\frac{YES}{YES}$ New. S:Old $\frac{NO}{NO}$ New. W:Add. Z:Discontinued. F:Interchangeable by set. K:Qty Change
 Copyright (C) YANMAR CO., LTD. All Rights Reserved.

OCD10-M25601

Fig.17. CRANKSHAFT



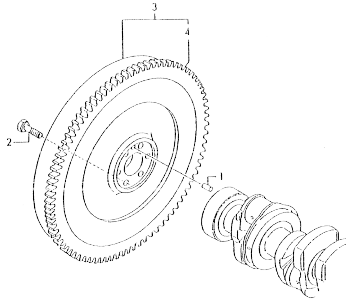
025500-21101

No.	Lev.	Parts No.	Description	Q'ty						I	R
				(A)	(B)	(C)	(D)	(E)	(F)		
1	1	729550-21701	CRANKSHAFT ASSY	1							
1-1	1	729500-21700	CRANKSHAFT ASSY	1							N
(A=EXXX)											
2	2	129150-21200	GEAR, CRANKSHAFT	1							
3	2	22351-040010	PIN, SPRING 4.0X10	1							Z
(A=E13302)											
4	2	22512-070140	KEY, 7X 14	1							
5	2	129100-01580	PIN, M8X16	1							W
(A=*1990.)											

N:Old $\frac{New}{Old}$ New. Q:Old $\frac{New}{Old}$ New. R:Old $\frac{New}{Old}$ New. S:Old $\frac{New}{Old}$ New. W:Add. Z:Discontinued. F:Interchangeable by set. K:Q'ty Change
 Copyright (C) YANMAR CO., LTD. All Rights Reserved.

OCD10-M25601

Fig.19. FLYWHEEL

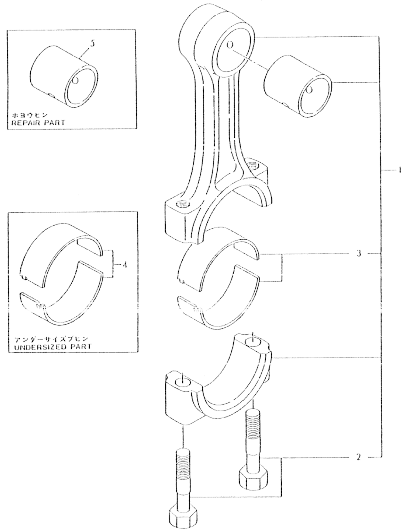


019400-21110

No.	Lev.	Parts No.	Description	Q'ty						I	R
				(A)	(B)	(C)	(D)	(E)	(F)		
1	1	129100-01580 (A=*1990.)	PIN, M8X16	1							Z
2	1	121111-21501	BOLT, FLYWHEEL	6							
3	1	171420-21590	FLYWHEEL ASSY	1							
4	2	124550-21600	GEAR, RING	1							

OCD10-M25601

Fig.21. CONNECTING ROD



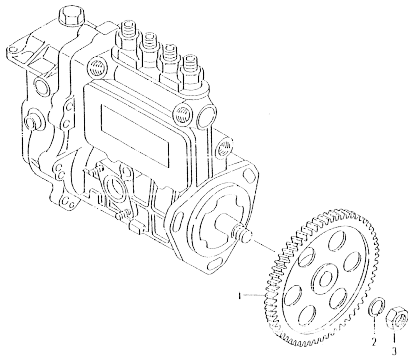
No.	Lev.	Parts No.	Description	Q'ty						I	R
				(A)	(B)	(C)	(D)	(E)	(F)		
1	1	729550-23700	ROD ASSY, CONNECTING	4							
2	2	121550-23200	BOLT, CONNECTING ROD	8							
3	2	729150-23600	BEARING, CRANK PIN	4							
3-1	2	129150-23600	BEARING, CRANK PIN	4							N
		(A=1990.05)									
4	1	129150-23610	BEARING, 0.25 US	4							1
5	1	129100-23910	BEARING, PISTON PIN	4							2

Remarks
 (1)UNDER-SIZE PART.(U.S=0.25)
 (2)REPAIR PART.

N:Old $\frac{YES}{NO}$ New. Q:Old $\frac{HE}{VCC}$ New. R:Old $\frac{YES}{VCC}$ New. S:Old $\frac{NO}{VCC}$ New. W:Add. Z:Discontinued. F:Interchangeable by set. K:Q'ty Change
 Copyright (C) YANMAR CO., LTD. All Rights Reserved.

OCD10-M25601

Fig.23. FUEL INJECTION PUMP GEAR

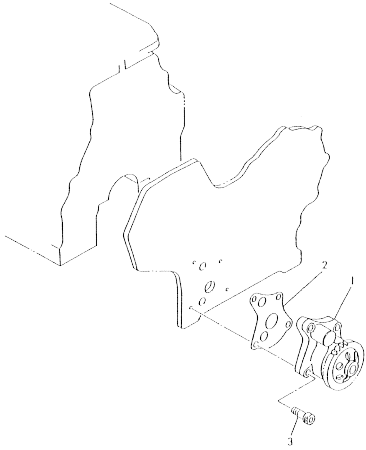


029150-25200

No.	Lev.	Parts No.	Description	Q'ty						I	R
				(A)	(B)	(C)	(D)	(E)	(F)		
1	1	129150-25900	GEAR, PUMP	1							
2	1	22217-120000	WASHER, SPRING 12	1							
3	1	26716-120002	NUT, M12	1							

OCD10-M25601

Fig.24. LUB.OIL PUMP

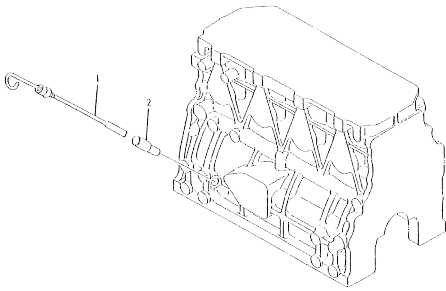


025150-371

No.	Lev.	Parts No.	Description	Q'ty						I	R
				(A)	(B)	(C)	(D)	(E)	(F)		
1	1	129150-32000	PUMP ASSY, OIL	1							
2	1	129150-32020	GASKET, PUMP	1							
3	1	26450-060252	BOLT, M6X 25	4							

OCD10-M25601

Fig.25. LUB.OIL DIPSTICK



925160-34110

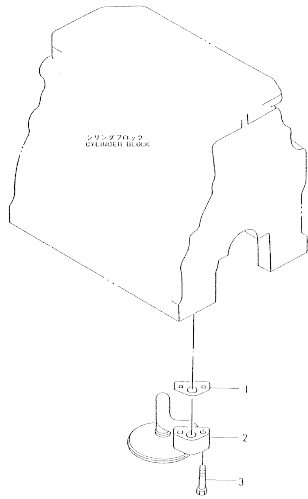
No.	Lev.	Parts No.	Description	Q'ty					
				(A)	(B)	(C)	(D)	(E)	(F)
1	1	171420-34800	DIPSTICK, OIL	1					
2	1	121520-34810	GUIDE, DIPSTICK	1					

(A)=4TNA78L-RNK
(B)=
(C)=

(D)=
(E)=
(F)=

OCD10-M25601

Fig.26. LUB.OIL SUCTION PIPE



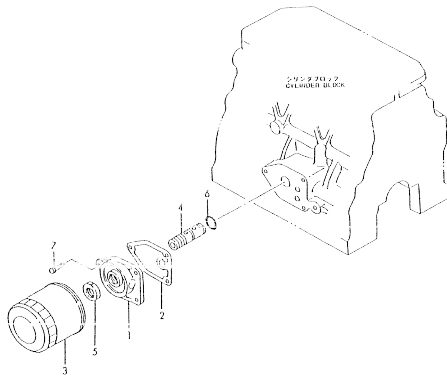
029100-35100

No.	Lev.	Parts No.	Description	Q'ty						I	R
				(A)	(B)	(C)	(D)	(E)	(F)		
1	1	129150-35040	GASKET	1							
1-1	1	129150-35041	GASKET	1							N
(A=1990.06)											
2	1	129150-35091	PIPE ASSY, OIL INLET	1							
3	1	26116-080352	BOLT, M8X 35 PLATED	2							
3-1	1	26106-080352	BOLT, M8X 35 PLATED	2							N
(A=EXXX)											

N:Old $\frac{New}{Old}$ New, Q:Old $\frac{New}{Old}$ New, R:Old $\frac{New}{Old}$ New, S:Old $\frac{New}{Old}$ New, W:Add, Z:Discontinued, F:Interchangeable by set, K:Qty Change
 Copyright (C) YANMAR CO., LTD. All Rights Reserved.

OCD10-M25601

Fig.27. LUB.OIL STRAINER

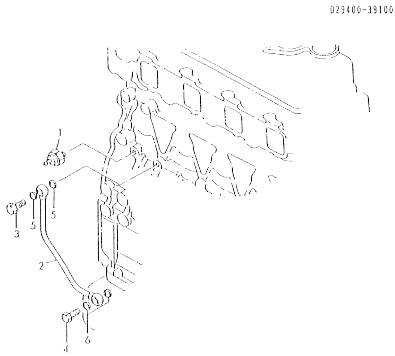


029100-35200

No.	Lev.	Parts No.	Description	Q'ty						I	R
				(A)	(B)	(C)	(D)	(E)	(F)		
1	1	129150-35101	BRACKET, STRAINER	1							
2	1	129150-35110	GASKET	1							
2-1	1	129150-35111	GASKET	1							N
(A)=1990.06)											
3	1	129150-35150	FILTER 90X80L	1							
4	1	119865-35300	VALVE ASSY, CONTROL	1							
5	1	129150-35350	NUT	1							
6	1	24311-000160	O-RING, 1AP16.0	1							
7	1	26106-080202	BOLT, M8X 20 PLATED	3							

OCD10-M25601

Fig.28. LUB.OIL LINE

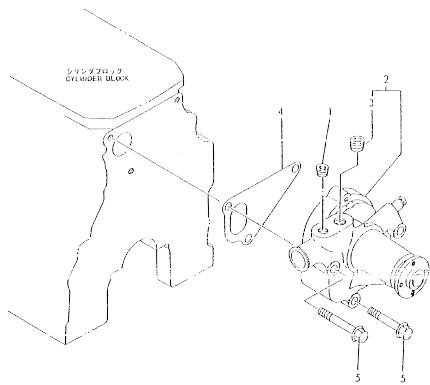


No.	Lev.	Parts No.	Description	Q'ty					
				(A)	(B)	(C)	(D)	(E)	(F)
1	1	124160-39450	SWITCH, 0.5KG	1					
2	1	129550-39450	PIPE ASSY, OIL	1					
3	1	124160-39140	BOLT, PIPE JOINT M10	1					
4	1	124550-59820	BOLT, PIPE JOINT M8	1					
5	1	23414-100000	GASKET, 10X1.0	2					
6	1	43400-500410	SEAL WASHER 8S	2					

N:Old $\frac{New}{Old}$ New, Q:Old $\frac{New}{Old}$ New, R:Old $\frac{New}{Old}$ New, S:Old $\frac{New}{Old}$ New, W:Add, Z:Discontinued, F:Interchangeable by set, K:Q'ty Change
 Copyright (C) YANMAR CO., LTD. All Rights Reserved.

OCD10-M25601

Fig.29. COOLING WATER PUMP



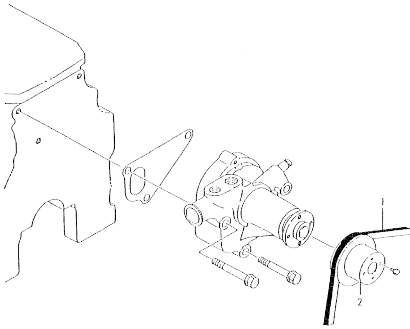
025160-42110

No.	Lev.	Parts No.	Description	Q'ty						I	R
				(A)	(B)	(C)	(D)	(E)	(F)		
1	1	121850-11860	PLUG, PT1/4	1							
2	1	129100-42001	PUMP ASSY, WATER	1							
2-1	1	129100-42002	PUMP ASSY, WATER	1							N
		(A=1990.06)									
3	2	23871-030000	PLUG, R03	1							
4	1	129100-42020	GASKET, WATER PUMP	1							
5	1	26106-080602	BOLT, M8X 60 PLATED	3							

N:Old $\frac{New}{Old}$ New, Q:Old $\frac{New}{Old}$ New, R:Old $\frac{New}{Old}$ New, S:Old $\frac{New}{Old}$ New, W:Add, Z:Discontinued, F:Interchangeable by set, K:Qty Change
 Copyright (C) YANMAR CO., LTD. All Rights Reserved.

OCD10-M25601

Fig.30. FAN PULLEY



029100-42300

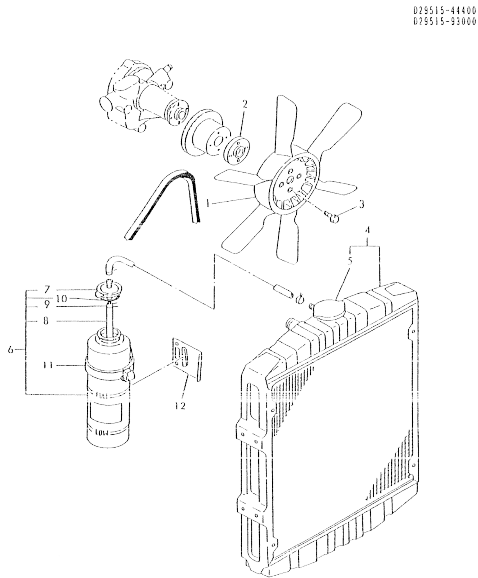
No.	Lev.	Parts No.	Description	Q'ty						I	R
				(A)	(B)	(C)	(D)	(E)	(F)		
1	1	124732-42290	V-BELT, AX37	1							
2	1	129403-42380	V-PULLEY, D=110	1							

(A)=4TNA78L-RNK
(B)=
(C)=

(D)=
(E)=
(F)=

OCD10-M25601

Fig.31. COOLING WATER FAN

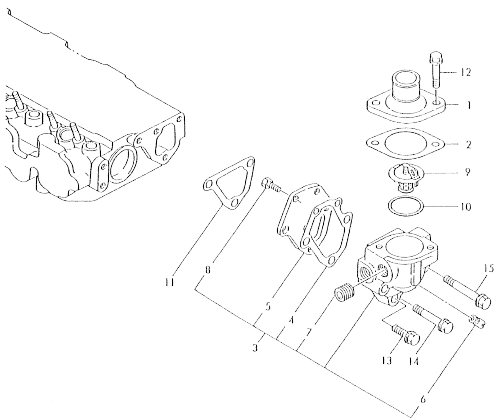


025515-44400
025515-33000

No.	Lev.	Parts No.	Description	Q'ty						I	R
				(A)	(B)	(C)	(D)	(E)	(F)		
1	1	129354-44740	FAN, COOLING	1							
2	1	124574-44761	SPACER, FAN	1							
3	1	26014-060252	BOLT, M6X 25	4							
4	1	121262-44500	RADIATOR ASSY	1							
5	2	123682-44210	CAP, RADIATOR	1							
6	1	171064-44510	TANK ASSY, SUB	1							
7	2	171064-44530	CAP	1							
7-1	2	121450-44531 (A=E15120)	CAP	1							N
8	2	23061-070230	PIPE, 7X 230	1							
8-1	2	23065-070225 (A=E11451)	HOSE 7X 225	1							N
9	2	124450-44560	RETAINER	1							
10	2	121470-44581 (A=E15120)	GASKET	1							W
11	1	124450-44550	BAND	1							
12	1	121256-44600	BRACKET, SUB TANK	1							

OCD10-M25601

Fig.32. THERMOSTAT



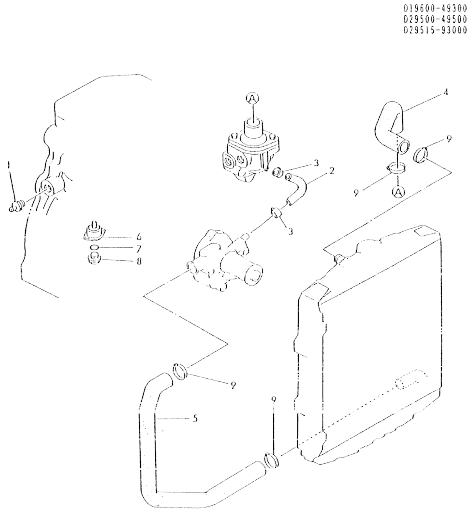
029100-49810

No.	Lev.	Parts No.	Description	Q'ty						I	R
				(A)	(B)	(C)	(D)	(E)	(F)		
1	1	129350-49530	COVER, THERMOSTAT	1							
2	1	129795-49550	GASKET	1							
2-1	1	129795-49551	GASKET	1							N
(A=*1990.06)											
3	1	129100-49800	CASE ASSY,THERMOSTAT	1							
4	2	129100-49820	GASKET	1							
5	2	129100-49830	COVER, THERMOSTAT	1							
6	2	124770-11770	JOINT, PIPE PT1/8	1							
7	2	23871-030000	PLUG, R03	1							
8	2	26116-060162	BOLT, M6X 16 PLATED	2							
9	1	129155-49800	THERMOSTAT, 71	1							
10	1	129150-49810	GASKET, THERMOSTAT	1							
10-1	1	129150-49811	GASKET, THERMOSTAT	1							N
(A=*1990.06)											
11	1	129100-49840	GASKET	1							
12	1	26106-080202	BOLT, M8X 20 PLATED	2							
13	1	26106-080252	BOLT, M8X 25 PLATED	1							
14	1	26106-080502	BOLT, M8X 50 PLATED	1							
15	1	26106-080602	BOLT, M8X 60 PLATED	1							

N:Old $\frac{100}{100}$ New, Q:Old $\frac{100}{100}$ New, R:Old $\frac{100}{100}$ New, S:Old $\frac{100}{100}$ New, W:Add, Z:Discontinued, F:Interchangeable by set, K:Q'ty Change
 Copyright (C) YANMAR CO., LTD. All Rights Reserved.

OCD10-M25601

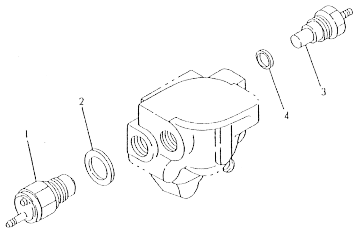
Fig.33. COOLING WATER LINE(BY-PASS)



No.	Lev.	Parts No.	Description	Q'ty						I	R
				(A)	(B)	(C)	(D)	(E)	(F)		
1	1	121550-49111	JOINT, PT1/4	1							
2	1	129100-49050	PIPE, WATER	1							
3	1	23000-016000	CLAMP, 16	2							
4	1	171350-49010	PIPE, WATER	1							
5	1	171064-49020	PIPE, WATER	1							
6	1	121521-49100	BODY ASSY, COCK	1							
7	1	24311-000160	O-RING, 1AP16.0	1							Z
8	1	121250-49121	PLUG, DRAIN	1							Z
9	1	23010-038000	CLAMP, 38	4							

OCD10-M25601

Fig.34. TEMPERATURE SENDER



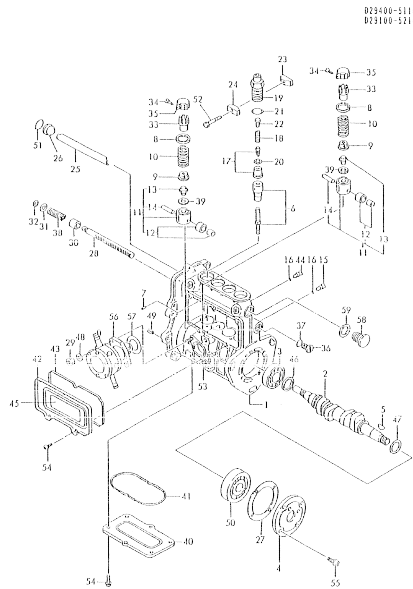
025515-49360

No.	Lev.	Parts No.	Description	Q'ty						I	R
				(A)	(B)	(C)	(D)	(E)	(F)		
1	1	121250-44901	SWITCH, 110	1							
2	1	124465-44950	GASKET, 16	1							
3	1	124250-49351	SENSOR	1							
3-1	1	171056-49351	SENSOR	1							N
		(A=E11034)									
4	1	129150-49360	GASKET	1							

N:Old $\frac{New}{Old}$ New. Q:Old $\frac{New}{Old}$ New. R:Old $\frac{New}{Old}$ New. S:Old $\frac{New}{Old}$ New. W:Add. Z:Discontinued. F:Interchangeable by set. K:Qty Change
 Copyright (C) YANMAR CO., LTD. All Rights Reserved.

OCD10-M25601

Fig.35. FUEL INJECTION PUMP



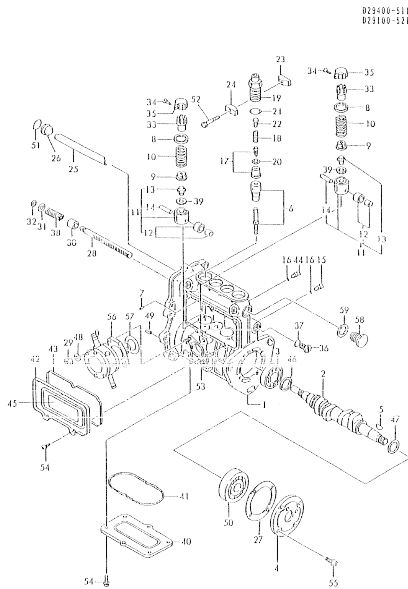
No.	Lev.	Parts No.	Description	Q'ty						I	R
				(A)	(B)	(C)	(D)	(E)	(F)		
1	1	729515-51360	PUMP ASSY, INJECTION	1							1
2	2	129470-51040	CAMSHAFT	1							
3	2	129155-51050	BEARING, 17BM001D	1							
4	2	129155-51060	SUPPORT, CAMSHAFT	1							
5	2	122710-51090	KEY	1							
6	2	129400-51100	PLUNGER ASSY	4							
7	2	129155-51140	PIN	4							
8	2	174307-51170	RETAINER, SPRING A	4							
9	2	129155-51180	RETAINER, SPRING	4							
10	2	124950-51190	SPRING, PLUNGER	4							
11	2	129155-51200	TAPPET ASSY	4							
12	3	711100-51540	ROLLER ASSY	4							
13	3	129155-51250	BOLT, ADJUSTING	4							
14	3	174100-54120	PIN	4							
15	2	129155-51270	STOPPER, TAPPET	4							
16	2	129155-51280	O-RING, S6	5							
16-1	2	129155-51280	O-RING, S6	4							K
(A=EXXX)											
17	2	128170-51300	VALVE ASSY, DELIVERY	4							
18	2	129155-51320	SPRING, DELIVERY	4							
19	2	129155-51340	RETAINER	4							
20	2	124550-51350	GASKET, DELIVERY	4							
21	2	124550-51370	O-RING	4							
22	2	129155-51370	STOPPER, VALVE	4							
23	2	129155-51380	STOPPER	2							
24	2	129155-51390	STOPPER	2							
25	2	129555-51400	DEFLECTOR	1							
26	2	129155-51410	BOLT	2							
26-1	2	129155-51410	BOLT	1							K
(A=EXXX)											
27	2	129155-51450	SHIM SET, ADJUSTING	1							
28	2	129555-51500	RACK, CONTROL	1							
29	2	26716-060002	NUT, M6	2							
30	2	129155-51521	BUSH, RACK	1							
31	2	129155-51530	SPACER	1							
32	2	129155-51540	CIRCLIP	1							
33	2	129155-51550	PINION, CONTROL	4							
34	2	122117-51560	SCREW	4							
35	2	174307-51560	PINION	4							
36	2	129155-51570	PLUG, M12	1							
37	2	129155-51580	O-RING	1							
38	2	129155-51591	SPRING, RACK	1							
39	2	129155-51600	SHIM SET, ADJUSTING	4							
40	2	129555-51700	COVER	1							
41	2	129555-51710	GASKET	1							
42	2	129555-51750	COVER	1							
43	2	129555-51760	GASKET	1							
44	2	129155-51790	STOOPER, RACK	1							
45	2	129156-51910	LABEL, CAUTION	1							
46	2	129155-51930	SPACER, T=3.25	1							
47	2	129155-51940	SPACER, T=1.5	1							

Remarks
 (1) GOVERNOR ASSY (FIG.41) IS INCORPORATED IN THIS FUEL INJECTION PUMP ASSY (REF.NO.1)

N:Old $\frac{100}{100}$ New, Q:Old $\frac{100}{100}$ New, R:Old $\frac{100}{100}$ New, S:Old $\frac{100}{100}$ New, W:Add, Z:Discontinued, F:Interchangeable by set, K:Q'ty Change
 ++ CONTINUE ++
 Copyright (C) YANMAR CO., LTD. All Rights Reserved.

OCD10-M25601

Fig.35. FUEL INJECTION PUMP



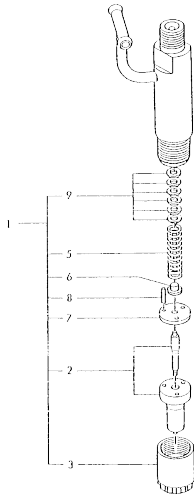
No.	Lev.	Parts No.	Description	Q'ty						I	R
				(A)	(B)	(C)	(D)	(E)	(F)		
48	2	22217-060000	WASHER, SPRING 6	2							
49	2	22351-050010	PIN, SPRING 5.0X10	2							
50	2	24101-063034	BEARING, BALL 6303	1							
51	2	24341-000160	O-RING, 1AS16.0	1							
52	2	26116-050302	BOLT, M5X 30 PLATED	2							
53	2	26216-060142	STUD, M6X 14	2							
53-1	2	129155-51020	STUD	2							N
(A=E13194)											
54	2	26022-050102	SCREW, M5X10	11							
55	2	26022-060162	SCREW, M6X16	4							
56	2	129100-52100	PUMP ASSY, FUEL FEED	1							
57	2	129155-52050	GASKET	1							
58	2	129155-51420	PLUG, M16	1							
59	2	43400-500490	SEAL WASHER 16S	1							

Remarks
 (1) GOVERNOR ASSY (FIG.41) IS INCORPORATED IN THIS FUEL INJECTION PUMP ASSY (REF.NO.1)

N:Old $\frac{100}{100}$ New, Q:Old $\frac{100}{100}$ New, R:Old $\frac{100}{100}$ New, S:Old $\frac{100}{100}$ New, W:Add, Z:Discontinued, F:Interchangeable by set, K:Qty Change
 Copyright (C) YANMAR CO., LTD. All Rights Reserved.

OCD10-M25601

Fig.36. FUEL INJECTION VALVE



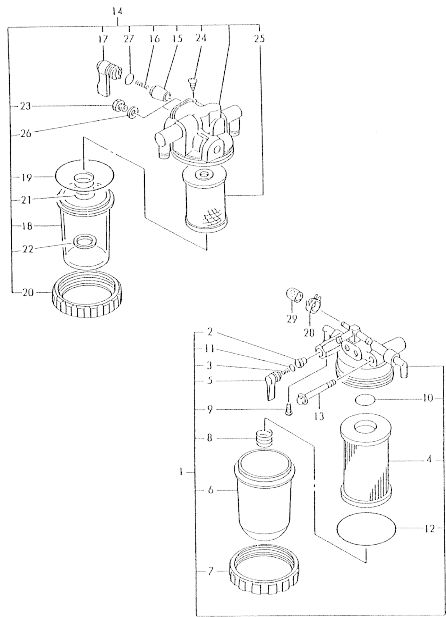
929500-53200

No.	Lev.	Parts No.	Description	Q'ty					
				(A)	(B)	(C)	(D)	(E)	(F)
1	1	729500-53200	VALVE ASSY,INJECTION	4					
2	2	129500-53050	VALVE ASSY,INJECTION	4					
3	2	114250-53080	NUT, NOZZLE D16.95	4					
5	2	114250-53120	SPRING, NOZZLE	4					
6	2	114250-53130	SEAT, SPRING	4					
7	2	114250-53140	PLATE	4					
8	2	114250-53210	PIN	8					
9	2	114250-53400	SHIM SET	4					

N:Old $\frac{New}{Old}$ New, Q:Old $\frac{New}{Old}$ New, R:Old $\frac{New}{Old}$ New, S:Old $\frac{New}{Old}$ New, W:Add, Z:Discontinued, F:Interchangeable by set, K:Qty Change
 Copyright (C) YANMAR CO., LTD. All Rights Reserved.

OCD10-M25601

Fig.37. FUEL STRAINER



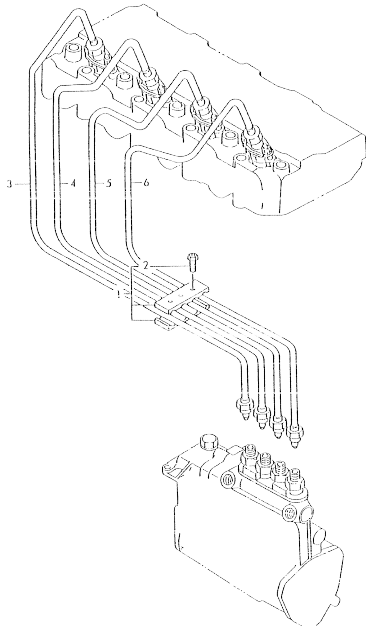
013100-5113
013513-91000

No.	Lev.	Parts No.	Description	Q'ty						I	R
				(A)	(B)	(C)	(D)	(E)	(F)		
1	1	129100-55621	FILTER ASSY, FUEL	1							
2	2	104200-55321	VALVE, TAPER	1							
3	2	104200-55330	SPRING, VALVE	1							
4	2	129100-55650	ELEMENT	1							
5	2	129100-55670	LEVER	1							
6	2	129100-55680	CUP, STRAINER	1							
7	2	129100-55690	RING, RETAINING	1							
8	2	129100-55700	SPRING	1							
9	2	104200-55750	SCREW, M4	1							
10	2	24311-000160	O-RING, 1AP16.0	1							
11	2	24311-240100	O-RING, 1AP10A	1							
12	2	24321-000650	O-RING, 1AG65.0	1							
13	1	26106-080652	BOLT, M8X 65 PLATED	1							
13-1	1	26014-080702	BOLT, M8X 70	1							N
(A=E15120)											
14	1	129335-55700	SEPARATOR ASSY, WATER	1							
15	2	104200-55321	VALVE, TAPER	1							
16	2	104200-55330	SPRING, VALVE	1							
17	2	104200-55341	HANDLE	1							
18	2	124064-55510	COVER	1							
19	2	102103-55520	O-RING	1							
20	2	110250-55610	RING, RETAINING	1							
21	2	121257-55720	SPRING	1							
22	2	121257-55731	FLOAT	1							
23	2	101720-55750	PLUG, 6	2							
24	2	104200-55750	SCREW, M4	1							
25	2	171081-55910	SCREEN	1							
26	2	23418-060000	GASKET, 6X1.0	2							
27	2	24311-240100	O-RING, 1AP10A	1							
28	1	124066-59100	CLIP, HOSE 8	1							
29	1	129150-59580	CAP	1							

N:Old $\frac{100}{100}$ New, Q:Old $\frac{100}{100}$ New, R:Old $\frac{100}{100}$ New, S:Old $\frac{100}{100}$ New, W:Add, Z:Discontinued, F:Interchangeable by set, K:Qty Change
Copyright (C) YANMAR CO., LTD. All Rights Reserved.

OCD10-M25601

Fig.38. FUEL INJECTION PIPE



929500-59110

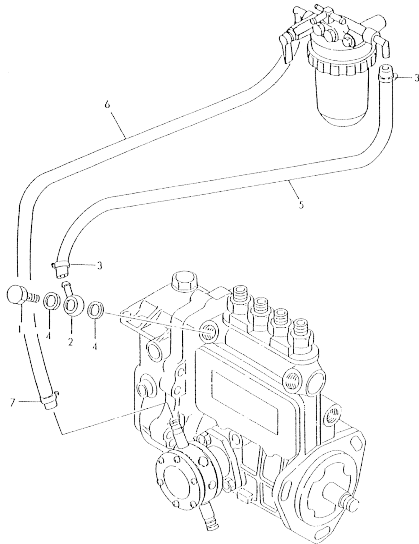
No.	Lev.	Parts No.	Description	Q'ty						I	R
				(A)	(B)	(C)	(D)	(E)	(F)		
1	1	129550-59120	RETAINER, PIPE	1							
2	2	129150-59130	BOLT, M4X12	2							
3	1	129500-59910	PIPE ASSY, INJECTION	1							
4	1	129500-59920	PIPE ASSY, INJECTION	1							
5	1	129500-59930	PIPE ASSY, INJECTION	1							
6	1	129500-59940	PIPE ASSY, INJECTION	1							

(A)=4TNA78L-RNK
(B)=
(C)=

(D)=
(E)=
(F)=

OCD10-M25601

Fig.39. FUEL LINE



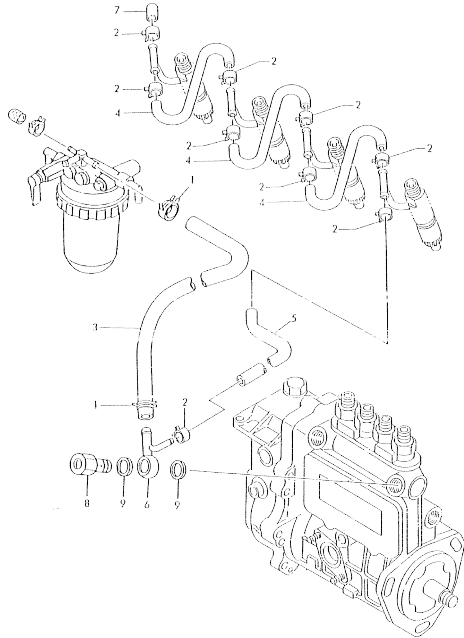
029400-53211

No.	Lev.	Parts No.	Description	Q'ty						I	R
				(A)	(B)	(C)	(D)	(E)	(F)		
1	1	103854-39140	BOLT, PIPE JOINT	1							
2	1	129150-59020	JOINT, PIPE	1							
2-1	1	101304-59020	JOINT, PIPE 12	1							N
(A=E12030)											
3	1	124766-59050	CLIP, HOSE 12	2							
4	1	104200-59170	GASKET, 12	2							
5	1	129555-59510	PIPE, D13/7.5X180	1							
6	1	105025-59530	PIPE, FUEL D13X400	1							
7	1	23000-013000	CLAMP, 13	2							

N:Old $\frac{New}{Old}$ New. Q:Old $\frac{New}{Old}$ New. R:Old $\frac{New}{Old}$ New. S:Old $\frac{New}{Old}$ New. W:Add. Z:Discontinued. F:Interchangeable by set. K:Q'ty Change
 Copyright (C) YANMAR CO., LTD. All Rights Reserved.

OCD10-M25601

Fig.40. FUEL RETURN LINE



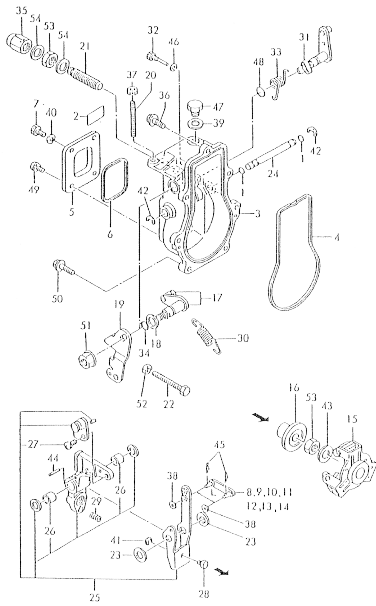
039409-59302

No.	Lev.	Parts No.	Description	Q'ty						
				(A)	(B)	(C)	(D)	(E)	(F)	
1	1	124766-59050	CLIP, HOSE 12		2					
2	1	124066-59100	CLIP, HOSE 8		9					
3	1	105025-59530	PIPE, FUEL D13X400		1					
4	1	121250-59550	PIPE, FUEL D8X120		3					
5	1	119840-59560	PIPE, FUEL RETURN		1					
6	1	119840-59570	JOINT		1					
7	1	129150-59580	CAP		1					
8	1	129100-59951	VALVE ASSY, CHECK		1					
9	1	23414-120000	GASKET, 12X1.0		2					

N:Old $\frac{New}{Old}$ New. Q:Old $\frac{New}{Old}$ New. R:Old $\frac{New}{Old}$ New. S:Old $\frac{New}{Old}$ New. W:Add. Z:Discontinued. F:Interchangeable by set. K:Qty Change
 Copyright (C) YANMAR CO., LTD. All Rights Reserved.

OCD10-M25601

Fig.41. GOVERNOR



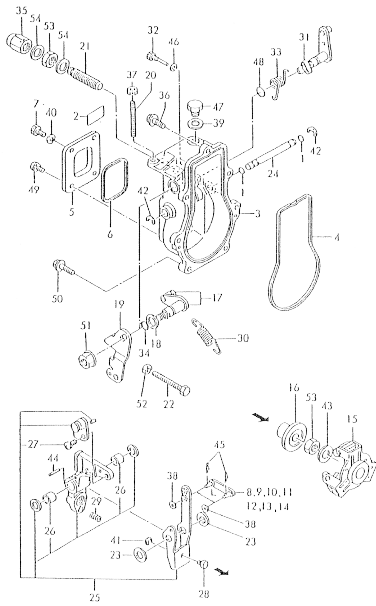
029515-61111

No.	Lev.	Parts No.	Description	Q'ty						I	R
				(A)	(B)	(C)	(D)	(E)	(F)		
1	2	129155-51280	O-RING, S6	2							
2	2	129515-51960	LABEL (729515-51360)	1							
2-1	2	129515-51961	LABEL (729515-51361)	1							N
(A=1989.05)											
3	2	129155-61010	CASE, GOVERNOR	1							
3-1	2	129155-61011	CASE, GOVERNOR	1							N
(A=1988.)											
4	2	129155-61050	GASKET	1							
5	2	129155-61060	COVER, GOVERNOR CASE	1							
6	2	129155-61070	GASKET	1							
7	2	129155-61090	BOLT	1							Z
(A=1989.)											
8	2	129155-61120	LINK, L=30 MARK 0	1							
9	2	129155-61130	LINK, L=31 MARK 1	1							
10	2	129155-61140	LINK, L=30.5 MARK 05	1							
11	2	129155-61150	LINK, L=33	1							Z
(A=1989.)											
12	2	129155-61160	LINK, L=34 MARK4	1							Z
(A=1989.)											
13	2	129155-61170	LINK, L=28 MARK 8	1							Z
(A=1989.)											
14	2	129155-61180	LINK, L=29 MARK 9	1							Z
(A=1989.)											
15	2	129155-61201	WEIGHT ASSY,GOVERNOR	1							
16	2	129155-61341	SLEEVE	1							
17	2	129100-61400	SHAFT ASSY	1							
18	2	129155-61430	SPACER	1							
19	2	129100-61440	LEVER, CONTROL	1							
20	2	129155-61450	BOLT, LIMITER	1							
21	2	171350-61450	LIMITER ASSY, FUEL	1							
21-1	2	129100-61450	LIMITER ASSY, FUEL	1							N
(A=E13302)											
22	2	129155-61460	BOLT, IDLE	1							
23	2	129155-61480	SPACER ASSY	2							
24	2	129155-61490	SHAFT	1							
25	2	129500-61500	LEVER ASSY, GOVERNOR	1							
26	3	129155-61530	BUSH	2							
27	3	26022-060122	SCREW, M6X12	1							
28	2	129155-61540	SHIFTER	1							
29	2	129100-61650	SPRING, CONTROLLER	1							
30	2	171353-61710	SPRING, GOVERNOR	1							
31	2	129155-61801	LEVER, STOP	1							
31-1	2	129255-61802	LEVER, STOP	1							N
(A=1989.05)											
32	2	129155-61810	PIN	1							
33	2	129155-61820	SPRING, RETURN	1							
33-1	2	129100-61821	SPRING, RETURN	1							N
(A=1989.01)											
34	2	129155-61830	O-RING, S10	1							
35	2	129100-61930	NUT, CAP	1							
35-1	2	26687-120002	NUT, CAP M12	1							N

N:Old $\frac{100}{100}$ New, Q:Old $\frac{100}{100}$ New, R:Old $\frac{100}{100}$ New, S:Old $\frac{100}{100}$ New, W:Add, Z:Discontinued, F:Interchangeable by set, K:Q'ty Change
 ++ CONTINUE ++
 Copyright (C) YANMAR CO., LTD. All Rights Reserved.

OCD10-M25601

Fig.41. GOVERNOR



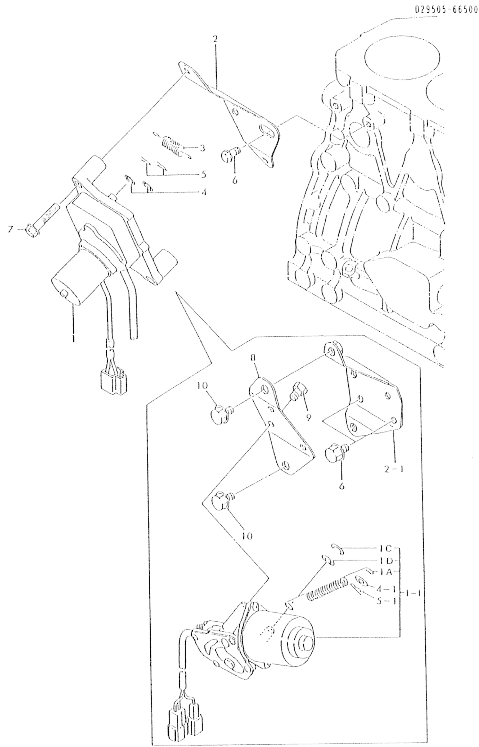
029515-41111

No.	Lev.	Parts No.	Description	Q'ty						I	R
				(A)	(B)	(C)	(D)	(E)	(F)		
(A=*1989.05)											
36	2	129155-61950	BOLT		1						
37	2	124550-66370	NUT, M6		1						
38	2	22117-040000	WASHER, 4		1						
39	2	22190-100000	WASHER, SEAL 10		1						
39-1	2	43400-500430	SEAL WASHER 10S		1						R
(A=*1989.)											
40	2	22217-050000	WASHER, SPRING 5		1						Z
(A=*1989.)											
41	2	22272-000040	RING, E- 4		1						
42	2	22272-000060	RING, E- 6		2						
43	2	22287-120000	WASHER, 12		1						
44	2	22351-030016	PIN, SPRING 3.0X16		1						
45	2	22360-040000	PIN, SNAP 4		2						
46	2	23414-050000	GASKET, 5X1.0		1						
46-1	2	43400-500390	SEAL WASHER 6S		1						N
(A=*1989.)											
47	2	23887-100002	PLUG, 10		1						
48	2	24311-000080	O-RING, 1AP8.0		1						
48-1	2	24311-240100	O-RING, 1AP10A		1						N
(A=*1989.05)											
49	2	26022-050102	SCREW, M5X10		3						
49-1	2	26022-050102	SCREW, M5X10		4						K
(A=*1989.)											
50	2	26106-060202	BOLT, M6X 20 PLATED		6						
51	2	26366-080002	NUT, M8		1						
52	2	26756-060002	NUT, LOCK M6		1						
53	2	26776-120002	NUT, LOCK M12		2						
54	2	43400-500450	SEAL WASHER 12S		2						

N:Old $\frac{100}{100}$ New, Q:Old $\frac{100}{100}$ New, R:Old $\frac{100}{100}$ New, S:Old $\frac{100}{100}$ New, W:Add, Z:Discontinued, F:Interchangeable by set, K:Q'ty Change
 Copyright (C) YANMAR CO., LTD. All Rights Reserved.

OCD10-M25601

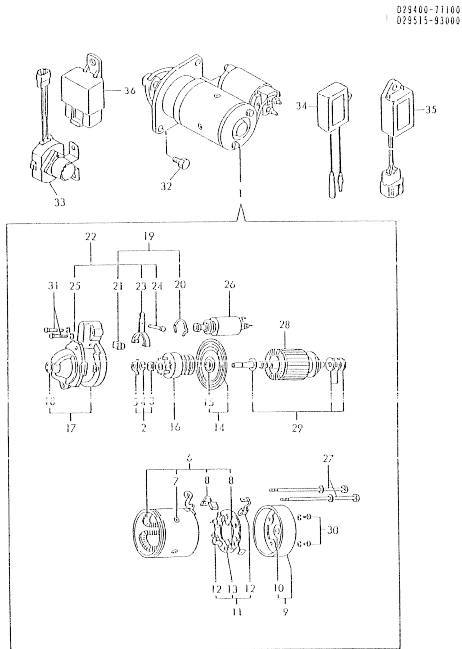
Fig.42. ENGINE STOP



No.	Lev.	Parts No.	Description	Q'ty						I	R
				(A)	(B)	(C)	(D)	(E)	(F)		
1	1	129100-66800	MOTOR, STOP	1							
1-1	1	129505-66791 (A=*1989.)	MOTOR ASSY, STOP	1							S
1A	2	129505-66830 (A=*1989.)	SPRING, STOP MOTOR	1							W
1C	2	129566-66880 (A=*1989.)	RING, SNAP	1							W
1D	2	129566-66890 (A=*1989.)	WASHER	1							W
2	1	129155-66810	BRACKET, STOP MOTOR	1							S
2-1	1	129107-66810 (A=*1989.)	BRACKET, STOP MOTOR	1							S
3	1	129555-66820 (A=*1989.)	SPRING, STOP MOTOR	1							Z
4	1	22117-080000	WASHER, 8		2						
4-1	1	22117-080000 (A=*1989.)	WASHER, 8		1						K
5	1	22360-080000	SNAP PIN 8		2						
5-1	1	22360-080000 (A=*1989.)	SNAP PIN 8		1						K
6	1	26106-080122	BOLT, M8X 12 PLATED		2						
7	1	26106-080402 (A=*1989.)	BOLT, M8X 40 PLATED		2						Z
8	1	129107-66820 (A=*1989.)	BRACKET, STOP MOTOR		1						W
9	1	26116-050102 (A=*1989.)	BOLT, M5X 10 PLATED		3						W
10	1	26106-080122 (A=*1989.)	BOLT, M8X 12 PLATED		2						W

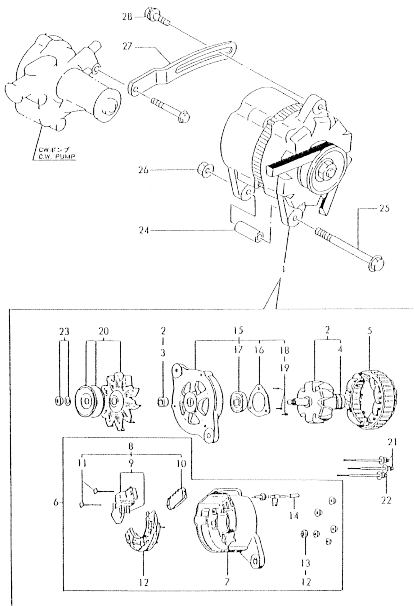
N:Old $\frac{New}{Old}$ New. Q:Old $\frac{New}{Old}$ New. R:Old $\frac{New}{Old}$ New. S:Old $\frac{New}{Old}$ New. W:Add. Z:Discontinued. F:Interchangeable by set. K:Q'ty Change
Copyright (C) YANMAR CO., LTD. All Rights Reserved.

Fig.43. STARTING MOTOR(COMPONENT PARTS



No.	Lev.	Parts No.	Description	Q'ty						I	R
				(A)	(B)	(C)	(D)	(E)	(F)		
1	1	124250-77012	STARTER, S12-77A	1							
2	2	124250-77070	STOPPER SET, PINION	1							
3	3	124250-77080	STOPPER, PINION	1							
4	3	124250-77090	WASHER, STOPPER	1							
5	3	124250-77100	CLIP, PINION STOPPER	1							
6	2	124250-77110	COIL ASSY, FIELD	1							
7	3	124250-77120	SCREW SET, PORE CORE	4							
8	3	124250-77130	BRUSH (+)	2							
9	2	124250-77140	COVER ASSY, REAR	1							
10	3	124250-77150	METAL, REAR COVER	1							
11	2	124250-77160	HOLDER ASSY, BRUSH	1							
12	3	124250-77170	BRUSH (-)	2							
13	3	124250-77180	SPRING, BRUSH	4							
14	2	124250-77190	BEARING ASSY, CENTER	1							
15	3	124250-77520	BEARING	1							
16	2	124250-77210	PINION ASSY	1							
17	2	124250-77220	CASE ASSY, GEAR	1							
18	3	124250-77230	METAL, GEAR CASE	1							
19	2	124250-77240	COVER SET, DUST	1							
20	3	124250-77250	COVER DUST(1)	1							
21	3	124250-77530	COVER DUST(2)	1							
22	2	124250-77270	LEVER SET, SHIFT	1							
23	3	124250-77280	LEVER SHIFT	1							
24	3	124250-77290	PIN SHIFT LEVER	1							
25	3	124250-77550	PIN	1							
26	2	124250-77310	SWITCH, MAGNETIC	1							
27	2	124250-77320	BOLT, THROUGH	2							
28	2	124250-77500	ARMATURE ASSY	1							
29	2	124250-77510	WASHER KIT	1							
30	2	124250-77540	SCREW, M4X12	2							
30-1	2	26557-040122	SCREW, M4X12	2							N
		(A=E15120)									
31	2	26106-060322	BOLT, M6X 32 PLATED	2							Z
		(A=EXXX)									
32	1	26116-120252	BOLT, M12X 25 PLATED	2							
33	1	171051-77100	RELAY, SAFETY	1							
34	1	160970-77350	RECTIFIER, ZR2117	1							
35	1	128300-77920	TIMER	1							
36	1	119247-77100	RELAY, SAFETY	1							W
		(A=*1989.05)									

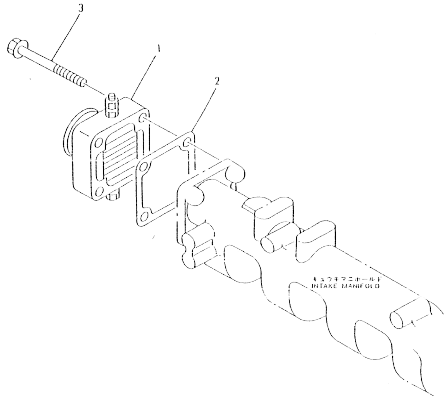
Fig.44. GENERATOR(COMPONENT PARTS)



No.	Lev.	Parts No.	Description	Q'ty						I	R
				(A)	(B)	(C)	(D)	(E)	(F)		
1	1	124080-77201	GENERATOR, LR135-91	1							
2	2	124080-77300	ROTOR ASSY	1							
3	3	124080-77310	SPACER	1							
4	3	124080-77490	BALL BEARING	1							
5	2	124080-77320	STATOR ASSY	1							
6	2	124080-77330	COVER ASSY	1							
7	3	124080-77340	COVER, REAR	1							
8	3	124080-77350	BRUSH REGULATOR(N/CO	1							
9	4	124080-77360	BRUSH ASSY	2							
10	4	124080-77390	REGULATOR ASSY	1							
11	4	124080-77520	BOLT M5	2							
12	3	124080-77400	DIODE ASSY	1							
13	4	124080-77410	BUSH	1							
14	3	124080-77530	WIRE ASSY, LEAD	1							
15	2	124080-77420	COVER ASSY	1							
16	3	124080-77430	RETAINER, BEARING	1							
17	3	124080-77480	BEARING, 6202DDU	1							
18	3	124080-77500	SCREW KIT	1							
19	4	124080-77510	SCREW 4X12	3							
20	2	124080-77440	PULLEY ASSY	1							
21	2	124080-77450	BOLT, THROUGH	2							
22	2	124080-77460	BOLT, THROUGH	1							
23	2	124080-77470	NUT ASSY, PULLEY	1							
24	1	129150-77340	SPACER	1							
25	1	26106-081202	BOLT, M8X120 PLATED	1							
26	1	26366-080002	NUT, M8	1							
27	1	129410-77330	ADJUSTER	1							
27-1	1	129100-77330	ADJUSTER	1							N
		(A=EXXXX)									
28	1	26014-080252	BOLT, M8X 25	1							

OCD10-M25601

Fig.45. AIR HEATER



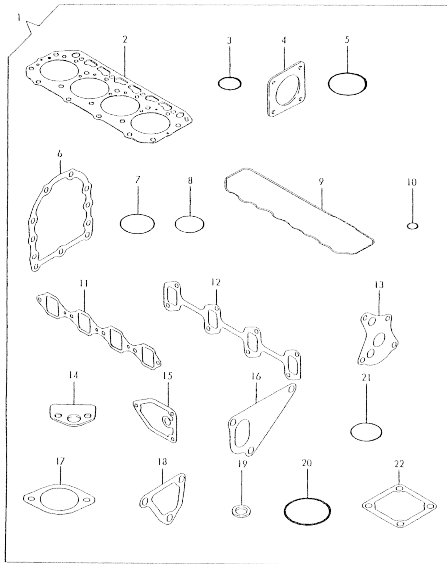
025100-77501

No.	Lev.	Parts No.	Description	Q'ty						I	R
				(A)	(B)	(C)	(D)	(E)	(F)		
1	1	129120-77501	HEATER	1							
2	1	129150-77510	GASKET	1							
2-1	1	129150-77511	GASKET	1							N
(A=1990.06)											
3	1	26106-080352	BOLT, M8X 35 PLATED	4							

N:Old $\frac{Y00}{100}$ New. Q:Old $\frac{H0}{100}$ New. R:Old $\frac{Y00}{100}$ New. S:Old $\frac{H0}{100}$ New. W:Add. Z:Discontinued. F:Interchangeable by set. K:Qty Change
 Copyright (C) YANMAR CO., LTD. All Rights Reserved.

OCD10-M25601

Fig.46. GASKET SET



No.	Lev.	Parts No.	Description	Q'ty						I	R
				(A)	(B)	(C)	(D)	(E)	(F)		
1	1	729515-92600	GASKET SET	1							
1-1	1	729515-92601	GASKET SET	1							N
(A=E14065)											
2	2	129555-01332	GASKET, HEAD	1							
3	2	24311-000320	O-RING, 1AP32.0	1							
4	2	124240-01882	GASKET	1							
4-1	2	124240-01883	GASKET	1							N
(A=1990.01)											
5	2	121850-51960	O-RING	1							
6	2	129150-01660	GASKET	1							Z
(A=1988.)											
7	2	24341-000500	O-RING, 1AS50.0	1							
8	2	121420-01760	O-RING	1							
8-1	2	24311-000320	O-RING, 1AP32.0	1							N
(A=E14065)											
9	2	129550-11310	GASKET, BONNET	1							
10	2	24311-000120	O-RING, 1AP12.0	3							
11	2	129550-12110	GASKET, MANIFOLD	1							
11-1	2	129550-12111	GASKET, MANIFOLD	1							N
(A=1990.06)											
12	2	129550-13110	GASKET	1							
13	2	129150-32020	GASKET, PUMP	1							
14	2	129150-35040	GASKET	1							
14-1	2	129150-35041	GASKET	1							N
(A=1990.06)											
15	2	129150-35110	GASKET	1							
15-1	2	129150-35111	GASKET	1							N
(A=1990.06)											
16	2	129100-42020	GASKET, WATER PUMP	1							
17	2	129795-49550	GASKET	1							
17-1	2	129795-49551	GASKET	1							N
(A=1990.06)											
18	2	129100-49840	GASKET	1							
19	2	124465-44950	GASKET, 16	2							
20	2	24321-000650	O-RING, 1AG65.0	1							
21	2	102103-55520	O-RING	1							
22	2	129150-77510	GASKET	1							
22-1	2	129150-77511	GASKET	1							N
(A=1990.06)											

Parts No. Index

Parts No.	Fig. No.	Ref. No.	Parts No.	Fig. No.	Ref. No.	Parts No.	Fig. No.	Ref. No.	Parts No.	Fig. No.	Ref. No.
101304-59020	39	2 -1	121400-12560	13	11	124160-39140	28	3	124736-07900	9	1
101720-55750	37	23	121400-12570	13	12	124160-39450	28	1	124766-59050	39	3
102103-55520	37	19	121420-01760	11	2	124240-01871	2	7		40	1
	46	21		46	8	124240-01882	2	8	124770-11770	32	6
103338-11190	10	13	121450-01560	2	3		46	4	124950-51190	35	10
103854-39140	39	1	121450-44531	31	7 -1	124240-01883	2	8 -1	128170-51300	35	17
104200-55321	37	2	121470-44581	31	10		46	4 -1	128300-77920	43	35
		15	121520-34810	25	2	124250-49351	34	3	129100-01580	3	1
104200-55330	37	3	121521-49100	33	6	124250-77012	43	1		5	1
		16	121550-23200	21	2	124250-77070	43	2		17	5
104200-55341	37	17	121550-49111	33	1	124250-77080	43	3		19	1
104200-55750	37	9	121850-11860	10	5	124250-77090	43	4	129100-01640	5	2
		24		29	1	124250-77100	43	5	129100-01790	4	3
104200-59170	39	4	121850-21680	18	3	124250-77110	43	6	129100-11100	10	9
105025-59530	39	6	121850-51960	2	17	124250-77120	43	7	129100-11110	10	10
		40		46	5	124250-77130	43	8	129100-23910	21	5
110250-55610	37	20	122117-51560	35	34	124250-77140	43	9	129100-25061	22	1
114250-53080	36	3	122710-51090	35	5	124250-77150	43	10	129100-42001	29	2
114250-53120	36	5	123682-44210	31	5	124250-77160	43	11	129100-42002	29	2 -1
114250-53130	36	6	124064-55510	37	18	124250-77170	43	12	129100-42020	29	4
114250-53140	36	7	124066-59100	37	28	124250-77180	43	13		46	16
114250-53210	36	8		40	2	124250-77190	43	14	129100-49050	33	2
114250-53400	36	9	124080-77201	44	1	124250-77210	43	16	129100-49800	32	3
119247-77100	43	36	124080-77300	44	2	124250-77220	43	17	129100-49820	32	4
119620-01750	3	3	124080-77310	44	3	124250-77230	43	18	129100-49830	32	5
119625-11870	10	34	124080-77320	44	5	124250-77240	43	19	129100-49840	32	11
119625-11880	10	35	124080-77330	44	6	124250-77250	43	20		46	18
119625-11900	10	31	124080-77340	44	7	124250-77270	43	22	129100-52100	35	56
119840-59560	40	5	124080-77350	44	8	124250-77280	43	23	129100-55621	37	1
119840-59570	40	6	124080-77360	44	9	124250-77290	43	24	129100-55650	37	4
119865-35300	27	4	124080-77390	44	10	124250-77310	43	26	129100-55670	37	5
120130-11860	10	3	124080-77400	44	12	124250-77320	43	27	129100-55680	37	6
121023-01550	6	1	124080-77410	44	13	124250-77500	43	28	129100-55690	37	7
121100-22400	20	4	124080-77420	44	15	124250-77510	43	29	129100-55700	37	8
121111-21501	19	2	124080-77430	44	16	124250-77520	43	15	129100-59951	40	8
121120-12531	13	4	124080-77440	44	20	124250-77530	43	21	129100-61400	41	17
121120-12541	13	5	124080-77450	44	21	124250-77540	43	30	129100-61440	41	19
121120-12561	13	6	124080-77460	44	22	124250-77550	43	25	129100-61450	41	21 -1
121120-12571	13	7	124080-77470	44	23	124450-44550	31	11	129100-61650	41	29
121120-12901	13	8	124080-77480	44	17	124450-44560	31	9	129100-61821	41	33 -1
121250-44901	34	1	124080-77490	44	4	124460-11340	10	15	129100-61930	41	35
121250-49121	33	8	124080-77500	44	18	124465-44950	34	2	129100-66800	42	1
121250-59550	40	4	124080-77510	44	19		46	19	129100-77330	44	27 -1
121256-44600	31	12	124080-77520	44	11	124550-21600	19	4	129107-66810	42	2 -1
121257-55720	37	21	124080-77530	44	14	124550-51350	35	20	129107-66820	42	8
121257-55731	37	22	124160-01751	2	4	124550-51370	35	21	129120-77501	45	1
121262-12800	13	9		11	1	124550-59820	28	4	129150-01200	1	12
121262-44500	31	4	124160-01910	1	3	124550-66370	41	37	129150-01660	5	4
121400-11340	10	14			3 -1	124574-44761	31	2		46	6
121400-12540	13	10	124160-11360	11	5	124732-42290	30	1	129150-02020	1	8

Parts No. Index

Parts No.	Fig. No.	Ref. No.	Parts No.	Fig. No.	Ref. No.	Parts No.	Fig. No.	Ref. No.	Parts No.	Fig. No.	Ref. No.
129150-02450	1	14	129150-77511	46	22 -1	129155-61341	41	16	129550-12110	12	2
129150-02800	1	9	129155-11260	10	23	129155-61430	41	18		46	11
129150-02870	1	16	129155-11270	10	24	129155-61450	41	20	129550-12111	12	2 -1
129150-02930	1	10	129155-49800	32	9	129155-61460	41	22		46	11 -1
129150-02940	1	17	129155-51020	35	53 -1	129155-61480	41	23	129550-13110	14	2
129150-03010	7	1	129155-51050	35	3	129155-61490	41	24		46	12
129150-03070	7	3	129155-51060	35	4	129155-61530	41	26	129550-14011	16	1
129150-03080	7	2	129155-51140	35	7	129155-61540	41	28	129550-14400	16	4
129150-03090	8	1	129155-51180	35	9	129155-61801	41	31	129550-39450	28	2
129150-03100	8	2	129155-51200	35	11	129155-61810	41	32	129550-59120	38	1
129150-11050	10	2	129155-51250	35	13	129155-61820	41	33	129555-01332	1	13
129150-11230	10	28	129155-51270	35	15	129155-61830	41	34		46	2
129150-11280	10	25	129155-51280	35	16	129155-61950	41	36	129555-11241	10	20
129150-11370	10	18			16 -1	129155-66810	42	2	129555-51400	35	25
129150-11750	10	27		41	1	129156-51910	35	45	129555-51500	35	28
129150-11810	10	4	129155-51320	35	18	129255-61802	41	31 -1	129555-51700	35	40
129150-14101	16	2	129155-51340	35	19	129335-55700	37	14	129555-51710	35	41
129150-14200	16	3	129155-51370	35	22	129350-49530	32	1	129555-51750	35	42
129150-21200	17	2	129155-51380	35	23	129354-44740	31	1	129555-51760	35	43
129150-22300	20	3	129155-51390	35	24	129400-01500	2	1	129555-59510	39	5
129150-23600	21	3 -1	129155-51410	35	26	129400-01520	2	2	129555-66820	42	3
129150-23610	21	4			26 -1	129400-01730	4	5	129566-66880	42	1 C
129150-25101	22	2	129155-51420	35	58	129400-11300	11	3	129566-66890	42	1 D
129150-25900	23	1	129155-51450	35	27	129400-13200	15	1	129795-01780	5	3
129150-32000	24	1	129155-51521	35	30	129400-13201	15	1 -1	129795-01800	2	6
129150-32020	24	2	129155-51530	35	31	129400-51100	35	6	129795-01950	2	9
	46	13	129155-51540	35	32	129400-92420	47	1	129795-02411	1	11
129150-35040	26	1	129155-51550	35	33	129403-42380	30	2	129795-11120	10	11
	46	14	129155-51570	35	36	129410-77330	44	27	129795-11180	10	12
129150-35041	26	1 -1	129155-51580	35	37	129411-13100	14	1	129795-21661	18	2
	46	14 -1	129155-51591	35	38	129415-12520	13	3	129795-49550	32	2
129150-35091	26	2	129155-51600	35	39	129415-13500	15	2		46	17
129150-35101	27	1	129155-51790	35	44	129415-13501	15	2 -1	129795-49551	32	2 -1
129150-35110	27	2	129155-51930	35	46	129470-51040	35	2		46	17 -1
	46	15	129155-51940	35	47	129488-12100	12	1	160970-77350	43	34
129150-35111	27	2 -1	129155-52050	35	57	129500-22080	20	1	171051-01921	1	2
	46	15 -1	129155-61010	41	3	129500-53050	36	2	171051-77100	43	33
129150-35150	27	3	129155-61011	41	3 -1	129500-59910	38	3	171056-49351	34	3 -1
129150-35350	27	5	129155-61050	41	4	129500-59920	38	4	171064-44510	31	6
129150-49360	34	4	129155-61060	41	5	129500-59930	38	5	171064-44530	31	7
129150-49810	32	10	129155-61070	41	6	129500-59940	38	6	171064-49020	33	5
129150-49811	32	10 -1	129155-61090	41	7	129500-61500	41	25	171081-55910	37	25
129150-59020	39	2	129155-61120	41	8	129505-66791	42	1 -1	171301-01640	4	2
129150-59130	38	2	129155-61130	41	9	129505-66830	42	1 A	171301-21650	18	1
129150-59580	37	29	129155-61140	41	10	129515-12500	13	2	171350-13650	15	3
	40	7	129155-61150	41	11	129515-51960	41	2	171350-49010	33	4
129150-77340	44	24	129155-61160	41	12	129515-51961	41	2 -1	171350-61450	41	21
129150-77510	45	2	129155-61170	41	13	129550-11290	10	21	171351-12210	13	1
	46	22	129155-61180	41	14	129550-11310	11	4	171351-12560	13	14
129150-77511	45	2 -1	129155-61201	41	15		46	9	171351-12570	13	15

Parts No. Index

Parts No.	Fig. No.	Ref. No.
171351-12580	13	13
171353-61710	41	30
171420-01600	3	2
171420-21590	19	3
171420-34800	25	1
174100-54120	35	14
174307-51170	35	8
174307-51560	35	35
194990-22050	14	3
	15	5
22117-040000	41	38
22117-080000	42	4
		4 -1
22190-100000	41	39
22217-050000	41	40
22217-060000	35	48
22217-120000	23	2
22272-000040	41	41
22272-000060	41	42
22287-120000	41	43
22351-030016	41	44
22351-040010	17	3
22351-050010	35	49
22351-060012	10	19
22360-040000	41	45
22360-080000	42	5
		5 -1
22512-070140	16	5
	17	4
23000-013000	39	7
23000-016000	33	3
23000-060000	13	16
23010-038000	33	9
23061-070230	31	8
23065-070225	31	8 -1
23414-050000	41	46
23414-080000	1	18
23414-100000	28	5
23414-120000	40	9
23418-060000	37	26
23871-010000	1	4
23871-030000	1	19
	10	6
	29	3
	32	7
23887-100002	41	47
24101-063034	35	50
24311-000080	41	48
24311-000120	11	6
	46	10

Parts No.	Fig. No.	Ref. No.
24311-000160	2	10
	27	6
	33	7
	37	10
24311-000260	6	2
24311-000320	2	5
	11	2 -1
	46	3
		8 -1
24311-240100	37	11
		27
	41	48 -1
24321-000650	37	12
	46	20
24341-000160	35	51
24341-000240	4	4
	6	2 -1
24341-000500	7	4
	46	7
26014-060252	31	3
26014-080202	15	4
26014-080252	44	28
26014-080702	37	13 -1
26022-050102	35	54
	41	49
		49 -1
26022-060122	41	27
26022-060162	35	55
26106-060122	6	3
26106-060202	41	50
26106-060322	43	31
26106-080122	1	20
	2	11
	42	6
		10
26106-080142	9	2
	13	17
26106-080162	1	15
	2	18
	4	6
	7	5
26106-080202	2	20
	27	7
	32	12
26106-080252	4	7
	10	32
	32	13
26106-080302	5	5
26106-080352	5	6
	12	3

Parts No.	Fig. No.	Ref. No.
26106-080352	26	3 -1
	45	3
26106-080402	42	7
26106-080452	2	12
	4	8
	22	4
26106-080502	4	9
	10	33
	32	14
26106-080552	2	13
26106-080602	29	5
	32	15
26106-080652	37	13
26106-080802	14	4
26106-080852	2	14
26106-081202	44	25
26116-050102	42	9
26116-050302	35	52
26116-060162	32	8
26116-080352	26	3
26116-120252	43	32
26206-100252	3	4
26206-100302	3	5
26216-060142	35	53
26216-060202	10	16
26216-080222	14	5
26216-080802	14	6
26226-080182	10	29
26366-060002	10	17
	13	18
26366-080002	2	15
	41	51
	44	26
26450-060252	24	3
26557-040122	43	30 -1
26687-120002	41	35 -1
26716-060002	35	29
26716-120002	23	3
26756-060002	41	52
26756-080002	10	30
26776-120002	41	53
27231-500000	1	5
27241-100000	10	22
27241-120000	1	6
27241-220000	10	7
27241-300000	1	7
27241-400000	10	8
27310-080001	10	13 -1
43400-500390	41	46 -1
43400-500410	2	16

Parts No.	Fig. No.	Ref. No.
43400-500410	2	19
	28	6
43400-500430	41	39 -1
43400-500450	41	54
43400-500490	35	59
711100-51540	35	12
729100-22500	20	2
729150-11650	10	26
729150-23600	21	3
729400-11700	10	1
729402-01540	4	1 -1
		1 -3
729402-11650	10	26 -1
729488-01540	4	1
729500-01560	1	1
729500-21700	17	1 -1
729500-22900	20	5
729500-53200	36	1
729515-51360	35	1
729515-92600	46	1
729515-92601	46	1 -1
729550-21701	17	1
729550-23700	21	1
729555-22950	20	6
729577-01720	4	1 -2