

0CV10-M77400EN

# PREFACE

1.This Parts Catalog carries all parts incorporated in YANMAR Model L48EE-DWK3 & L48EE-DWKPA & L48EE-DWKPA1 engine manufactured since May,2000.

2.Each illustration corresponds to the parts list on the following page.

3.When ordering parts,clearly write down the engine model and serial number,as well as the name and number of each part in your order sheet. This will help insure reliable delivery of the parts you have ordered.

## Directions for the Parts Catalog.

- The parts stipulated in this Parts Catalog are not necessarily standard equipped parts.
- Parts may change without prior notice.
- The following is an example of the Parts Catalog format.

OCF10-G21601		29. FUEL INJECTION PUMP(W/BOOST)									
REF.	LEV.	PARTS NO.	DESCRIPTION	(A)	(B)	(C)	(D)	(E)	(F)	I	R
1	1	729595-51390	FUEL INJECTION PUMP	1	1	1	1	1			1
1-1	1	729595-51391	FUEL INJECTION PUMP	1	1	1	1	1		N	1
		(A=E00185)	(B=E00200)								
3	2	26022-060162	SCREW M 6X 16	9	9	9	9	9			
3-1	2	26022-060162	SCREW M 6X 16	4	4	4	4	4		K	
		(A=E00156)	(B=E00156)	(C=E00156)	(D=E00156)	(E=E00156)					
4	2	129470-51040	CAMSHAFT	1	1	1	1	1			
5	2	122710-51050	BEARING, ROLLER	2	2	2	2	2			
6	2	129470-51060	RETAINER	1	1	1	1	1			

Remarks	
(1)	BOOST COMPEMSATOR TYPE. OPTIONAL PART, TO E00155,(4JH-DT, 4JH-DTZ

### ① Ref. No.

The Ref. No. listed may not be in accordance with the illustration Ref. No.

(Ex.) Illustration No.

List Ref No.

1

1

(Before change)

1-1

(After change)

For interchangeable symbols N, R and K, illustrations for new parts may be abbreviated.

### ② Lev. (Level)

Level indication

The numbers below indicate the level of relativity towards the main part.

1 ----- Main parts (Assembly parts)

2 ----- Sub component included in " 1 ".

3 ----- Sub component included in " 2 ".

Note) Parts that are not for sale are partially illustrated but not listed.

### ③ Interchangeability Mark

When a part change takes place, one of the following interchangeability symbols is indicated beside the part.

Symbol	Interchangeability	Contents note
N	Old $\begin{matrix} \leftarrow \text{Yes} \\ \text{No} \rightarrow \end{matrix}$ New	New Part is interchangeable for Old Part but Old Part is not interchangeable for New Part.
Q	Old $\begin{matrix} \leftarrow \text{No} \\ \text{Yes} \rightarrow \end{matrix}$ New	New Part is not interchangeable for Old Part but Old Part is interchangeable for New Part.
R	Old $\begin{matrix} \leftarrow \text{Yes} \\ \text{Yes} \rightarrow \end{matrix}$ New	New/ Old Parts are both interchangeable.
S	Old $\begin{matrix} \leftarrow \text{No} \\ \text{No} \rightarrow \end{matrix}$ New	New/ Old Parts are both not interchangeable.
W		Part newly added.
Z		Part discontinued.
F		Not interchangeable by a single part but interchangeable together with related parts.
K		Changes only for used parts quantities.

### ④ Effective Machine No.

When a part changes, the effective Machine No. will be indicated in the (A)-(F) column.

Product Symbol	Product No.	Product Symbol	Product No.
C	Clutch No. Compressor No.	F	Machine No. (Agricultural Equip.)
D	Drive No.	M	Machine No.
E	Engine No.		

Note 1) A date may follow the symbol. (Ex.) 1996.01

Note 2) "XXXXX" and "ZZZZZ" are for parts that could not be predicted or for engine models that could not be identified.

Note 3) (A=E00185) is the E (Engine Serial Number) for the column (A) model (in this case 4JH-DT) after the parts design change.

### ⑤ Remarks Mark

Figures or alphabets (symbols) are entered in the remarks column.

The comments (remarks) on parts that are indicated at the bottom of the illustration are the same symbols as those stated above.

# Contents

Fig. No.    Fig. Name

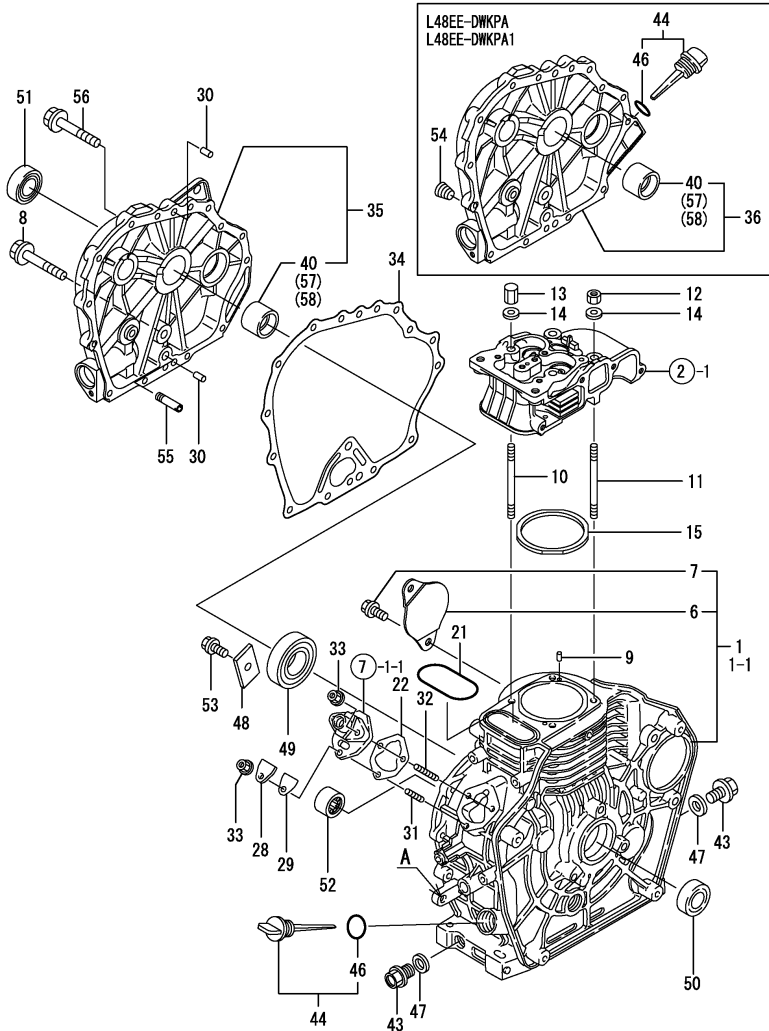
L48EE-DWK(3,PA,PA1)

1. CYLINDER BLOCK
2. CYLINDER HEAD & BONNET
3. AIR CLEANER & MUFFLER
4. CRANKSHAFT,PISTON & CAMSHAFT
5. LUB.OIL PUMP & GOVERNOR
6. COOLING & STARTING DEVICE
7. FUEL INJECTION PUMP
8. FUEL TANK & FUEL LINE
9. TOOL,LABEL & GASKET SET

Fig. No.    Fig. Name

Fig.1. CYLINDER BLOCK

発行No. 000Y00V7740-1  
 更新年月: 2005. 11  
 REVISED: Novem. 2005



(A)=L48EE-DWK3  
 (B)=L48EE-DWKPA  
 (C)=L48EE-DWKPA1

(D)=  
 (E)=  
 (F)=

No.	Lev.	Parts No.	Description	Q'ty						I	R
				(A)	(B)	(C)	(D)	(E)	(F)		
1	1	714771-01560	BLOCK ASSY, CYLINDER	1	1	1					
1-1	1	714774-01560	BLOCK ASSY, CYLINDER	1	1	1					S 4
		(A=E05448) (B=E05448) (C=E05448)									
6	2	114350-01700	COVER	1	1	1					
7	2	26106-100122	BOLT, M10X 12 PLATED	2	2	2					
8	1	26106-080352	BOLT, M8X 35 PLATED	1	1	1					
9	1	22312-040080	PIN, PARALLEL M4X 8	2	2	2					
10	1	114250-01200	BOLT, HEAD	2	2	2					
11	1	114250-01210	BOLT, HEAD	2	2	2					
12	1	114250-01221	NUT, CYLINDER HEAD	2	2	2					
13	1	114250-01251	NUT, CAP	2	2	2					
14	1	124950-01250	WASHER	4	4	4					
15	1	114771-01330	GASKET SET, HEAD	1	1	1					
21	1	114250-01380	O-RING	1	1	1					
22	1	114250-01800	SHIM SET	1	1	1					
28	1	114250-01830	COVER	1	1	1					
29	1	114250-01841	GASKET	1	1	1					
30	1	114270-01600	PIN, M8X12	2	2	2					
31	1	26226-060182	STUD, M6X 18	1	1	1					
32	1	26226-060222	STUD, M6X 22	2	2	2					
33	1	26366-060002	NUT, M6	3	3	3					
34	1	114250-01412	GASKET, CRANK CASE	1	1	1					
35	1	114254-01452	COVER, CRANK CASE	1							
36	1	114260-01455	COVER, CRANK CASE		1	1					
40	2	114250-02100	BEARING, MAIN	1	1	1					1
43	1	105425-01690	PLUG, 16	2	2	2					
44	1	114299-01760	CAP ASSY	1	2	2					
46	2	114299-01950	O-RING, 18	1	2	2					
47	1	22190-160002	WASHER, SEAL 16	2	2	2					
48	1	114299-02030	RETAINER, BEARING	1	1	1					
49	1	114250-02113	BEARING, HR6306G3C3	1	1	1					
50	1	160110-02220	SEAL, OIL	1	1	1					
51	1	160210-02220	SEAL, 25X41.2X8	1	1	1					
52	1	24162-152112	BEARING, 152112	1	1	1					
53	1	26106-080122	BOLT, M8X 12 PLATED	1	1	1					
54	1	23876-010000	PLUG, R01		1	1					
55	1	114250-35150	PIPE, OIL INLET	1	1	1					
56	1	26106-060252	BOLT, M6X 25 PLATED	14	14	14					
57	1	114250-02200	BEARING, 0.25 US	1	1	1					2
58	1	114250-02210	BEARING, 0.50 US	1	1	1					3

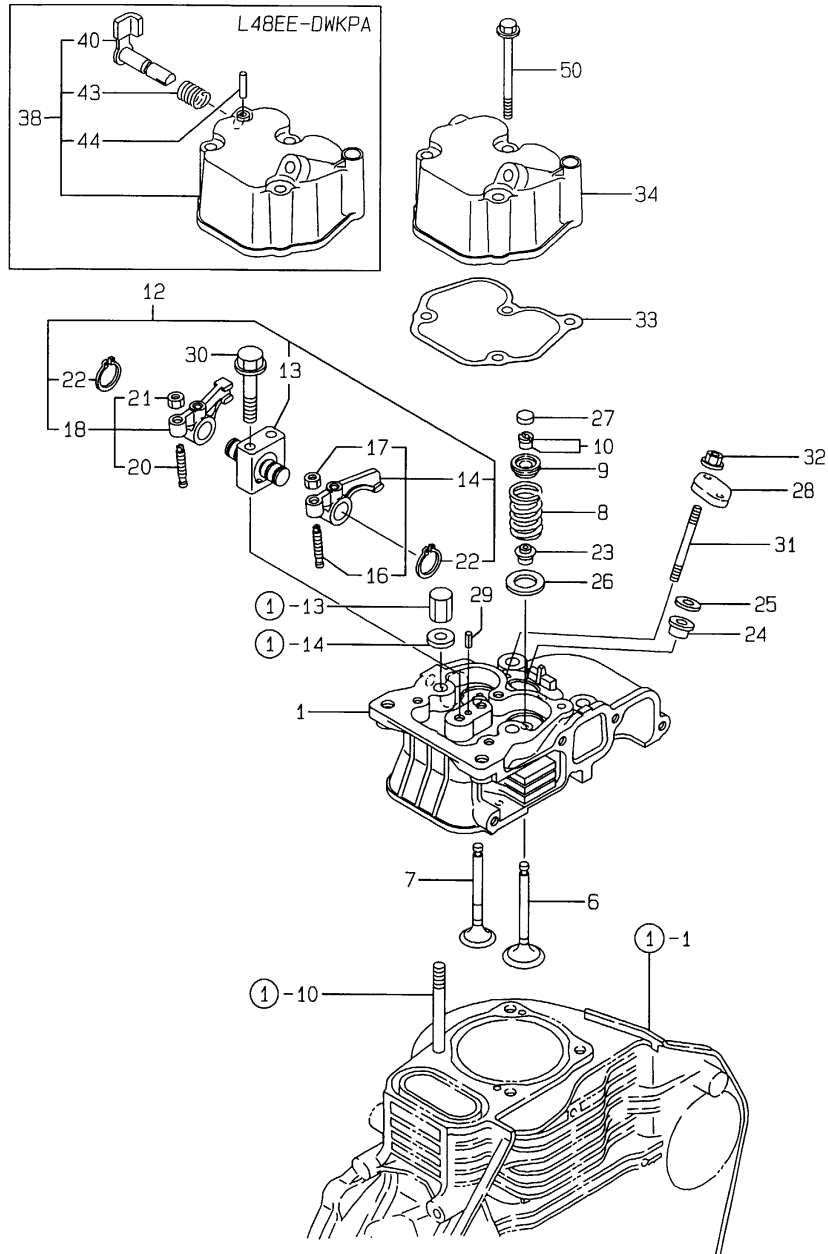
Remarks

- (1) REPAIR PART.
- (2) UNDER-SIZE(U.S=0.25)PART.
- (3) UNDER-SIZE(U.S=0.50)PART.
- (4) A= REF.NO.1 M10 X 1.25,  
REF.NO.1-1 M14 X 1.25.

Fig.2. CYLINDER HEAD & BONNET

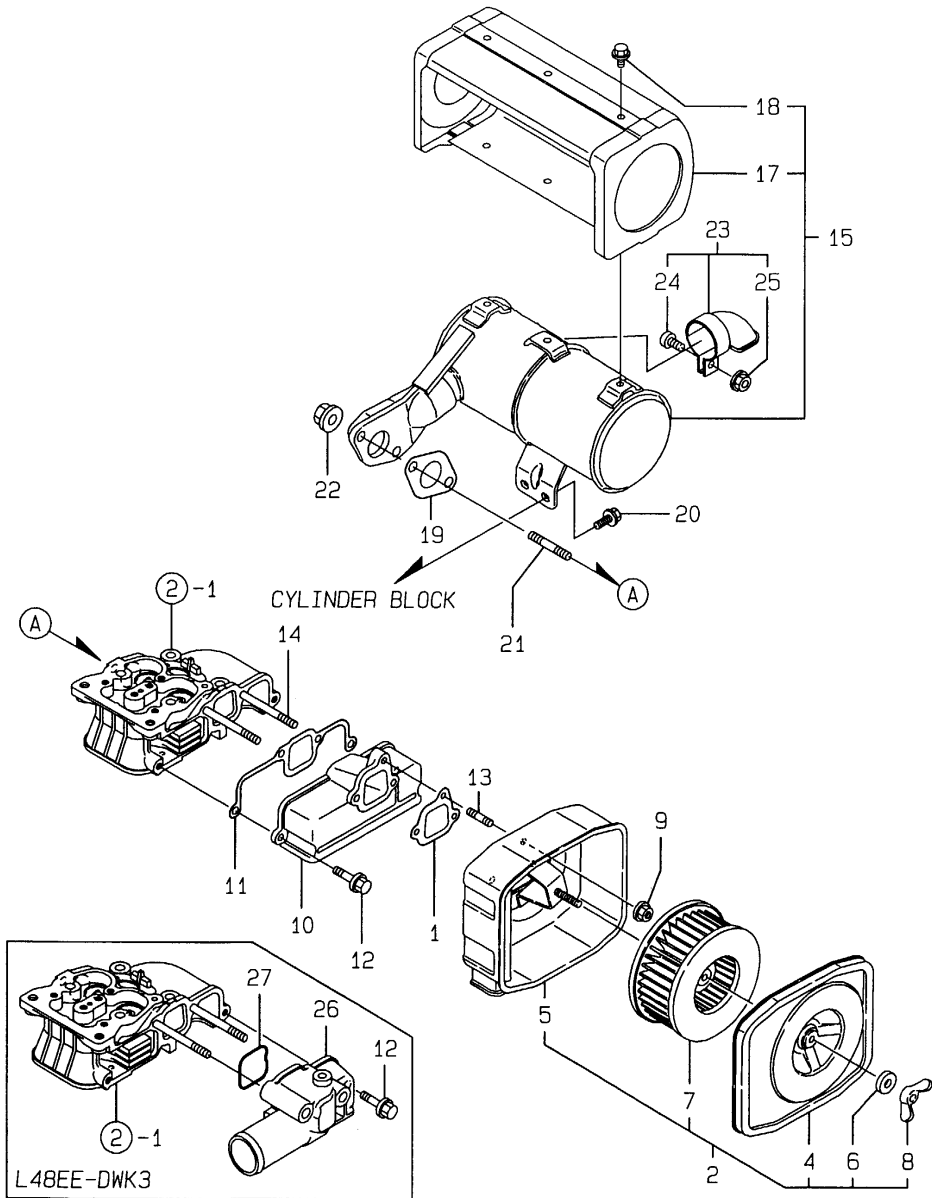
(A)=L48EE-DWK3  
 (B)=L48EE-DWKPA  
 (C)=L48EE-DWKPA1

(D)=  
 (E)=  
 (F)=



No.	Lev.	Parts No.	Description	Q'ty						I	R
				(A)	(B)	(C)	(D)	(E)	(F)		
1	1	114771-11020	HEAD ASSY, CYLINDER	1	1	1					
6	1	114771-11100	VALVE, INTAKE	1	1	1					
7	1	114771-11110	VALVE, EXHAUST	1	1	1					
8	1	114250-11120	SPRING, VALVE	2	2	2					
9	1	114250-11180	RETAINER, SPRING	2	2	2					
10	1	714250-11570	COTTER ASSY	2	2	2					
12	1	114771-11250	SUPPORT ASSY, ARM	1	1	1					
13	2	114771-11260	SUPPORT, ROCKER ARM	1	1	1					
14	2	114771-11650	ARM, ROCKER	1	1	1					
16	3	114250-11240	SCREW, VALVE ADJUST	1	1	1					
17	3	26856-060002	NUT, M6	1	1	1					
18	2	114771-11660	ARM, ROCKER	1	1	1					
20	3	114250-11240	SCREW, VALVE ADJUST	1	1	1					
21	3	26856-060002	NUT, M6	1	1	1					
22	2	22242-000120	RING, 12	2	2	2					
23	1	114250-11340	SEAL, VALVE STEM	2	2	2					
24	1	114771-11461	GASKET, NOZZLE	1	1	1					
25	1	114771-11470	SPACER, NOZZLE	1	1	1					
26	1	114250-11600	WASHER	2	2	2					
27	1	119260-11370	CAP, VALVE	2	2	2					
28	1	114250-11901	RETAINER, NOZZLE	1	1	1					
29	1	22351-040008	PIN, SPRING 4.0X 8	1	1	1					
30	1	26106-060452	BOLT, M6X 45 PLATED	2	2	2					
31	1	26226-060652	STUD, M6X 65	2	2	2					
32	1	26366-060002	NUT, M6	2	2	2					
33	1	114771-11310	GASKET, BONNET	1	1	1					
34	1	114771-11960	BONNET ASSY, HEAD	1		1					
38	1	114771-11970	BONNET ASSY, HEAD			1					
40	2	114288-03580	LEVER ASSY			1					
43	2	114288-03641	SPRING, DECOMPRESSION			1					
44	2	114288-03950	PIN			1					
50	1	26106-060552	BOLT, M6X 55 PLATED	3	3	3					

Fig.3. AIR CLEANER & MUFFLER



(A)=L48EE-DWK3  
 (B)=L48EE-DWKPA  
 (C)=L48EE-DWKPA1

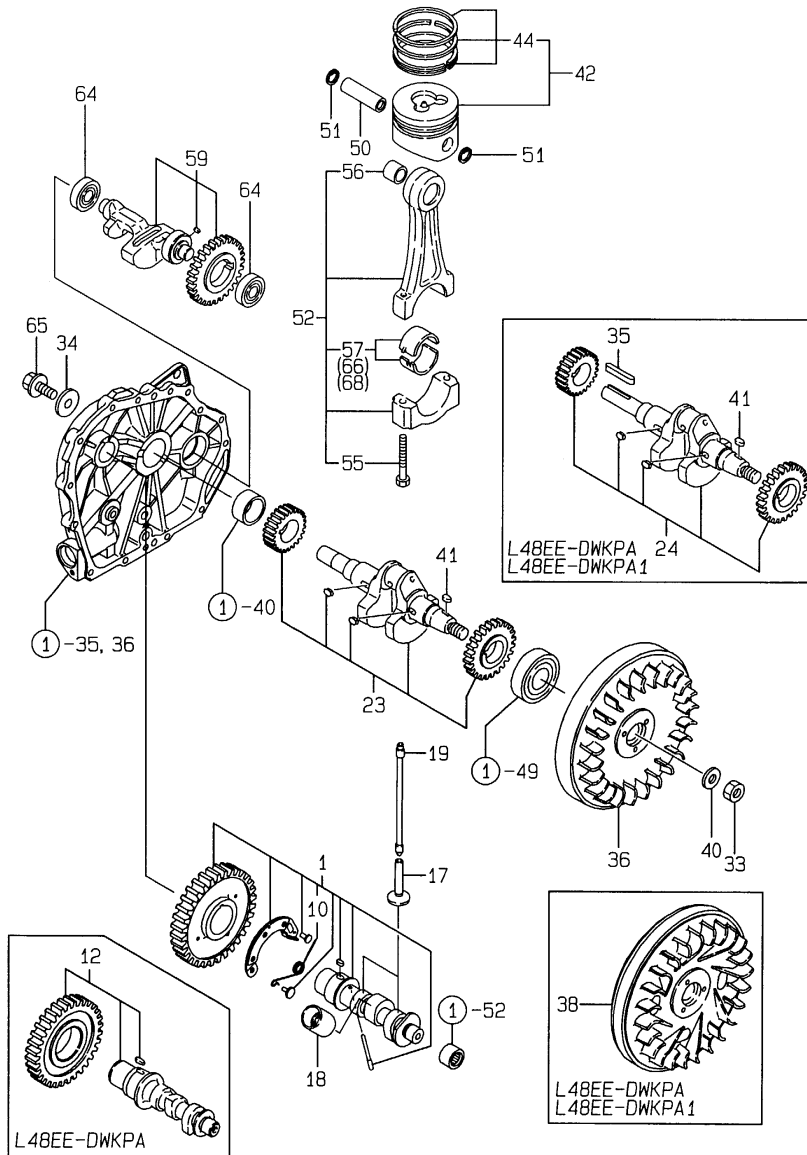
(D)=  
 (E)=  
 (F)=

No.	Lev.	Parts No.	Description	Qty						I	R
				(A)	(B)	(C)	(D)	(E)	(F)		
1	1	114250-12211	GASKET, AIR CLEANER		1	1					
2	1	714250-12560	CLEANER ASSY, AIR		1	1					
4	2	114250-12520	COVER, AIR CLEANER		1	1					
5	2	114250-12530	CASE ASSY, CLEANER		1	1					
6	2	114250-12560	WASHER, SEAL M6		1	1					
7	2	114250-12580	ELEMENT		1	1					
8	2	114250-12550	NUT, WING M6		1	1					
9	1	114250-12300	NUT		3	3					
10	1	114771-12010	PIPE, AIR INTAKE		1	1					
11	1	114771-12200	GASKET		1	1					
12	1	26106-060252	BOLT, M6X 25 PLATED	1	2	2					
13	1	26226-060142	STUD, M6X 14	1	1	1					
14	1	26226-060552	STUD, M6X 55	2	2	2					
15	1	114250-13521	MUFFLER ASSY		1						
17	2	114250-13701	COVER, SILENCER		1						
18	2	26106-060082	BOLT, M6X 8 PLATED		6						
19	1	114250-13201	GASKET, MUFFLER	1	1	1					
20	1	26106-060122	BOLT, M6X 12 PLATED		2						
21	1	26216-080182	STUD, M8X 18	2	2	2					
22	1	26366-080002	NUT, M8	2	2	2					
23	1	114288-13800	EXTENSION ASSY		1						
24	2	26554-060182	SCREW, M6X18		1						
25	2	26367-060002	NUT, M6		1						
26	1	114288-12020	PIPE, AIR INTAKE	1							
27	1	114288-12210	O-RING	1							

Fig.4. CRANKSHAFT,PISTON & CAMSHAFT

(A)=L48EE-DWK3  
 (B)=L48EE-DWKPA  
 (C)=L48EE-DWKPA1

(D)=  
 (E)=  
 (F)=



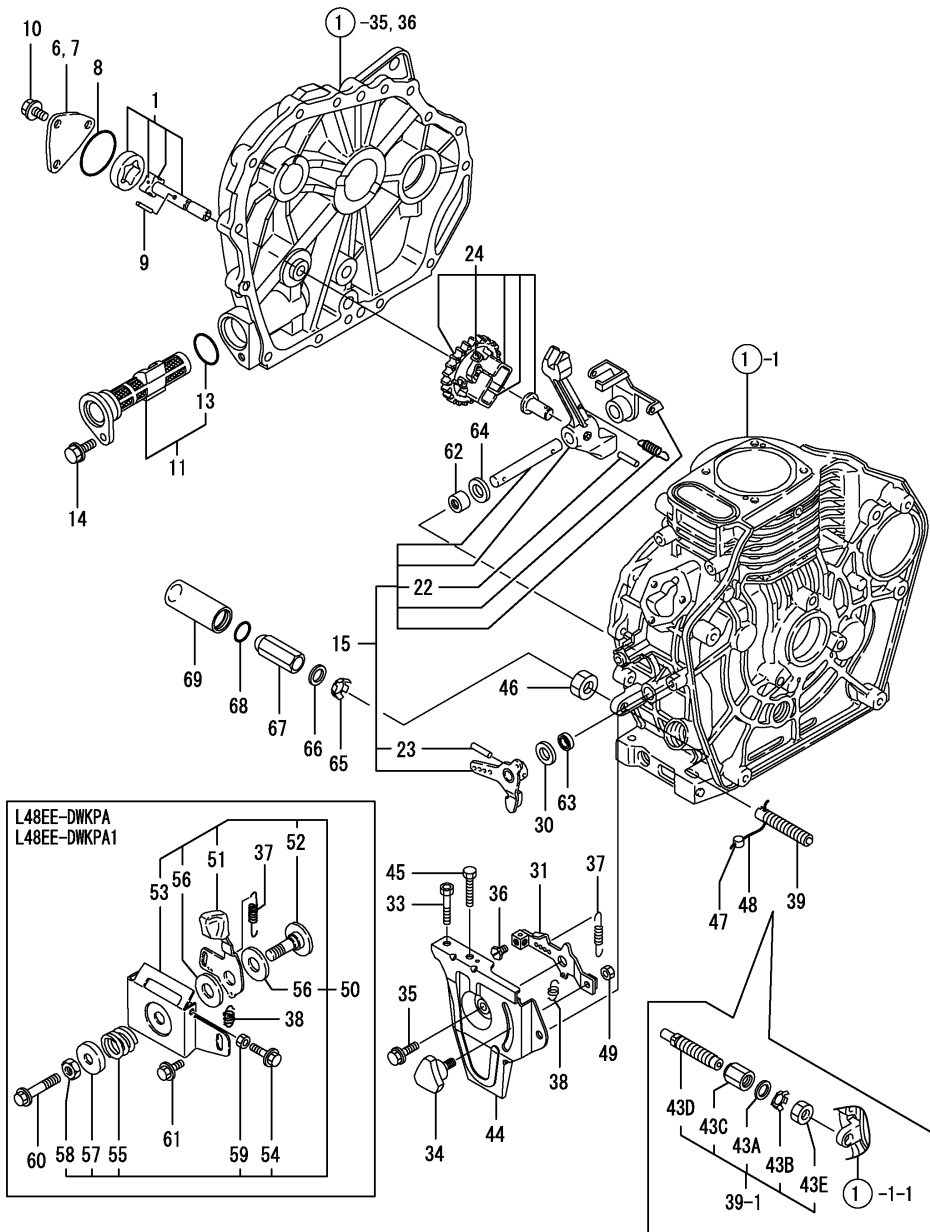
No.	Lev.	Parts No.	Description	Qty						I	R
				(A)	(B)	(C)	(D)	(E)	(F)		
1	1	714771-14580	CAMSHAFT ASSY	1		1					
10	2	114780-14561	SPRING,DECOMPRESSION	1		1					
12	1	714471-14580	CAMSHAFT ASSY			1					
12-1	1	714471-14581 (B=EZZZZZ)	CAMSHAFT ASSY, D			1					R
17	1	114250-14200	TAPPET	2	2	2					
18	1	114771-14260	TAPPET	1	1	1					
19	1	114250-14450	ROD ASSY, PUSH	2	2	2					
19-1	1	114250-14451	ROD ASSY, PUSH	2	2	2					
23	1	714774-21700	CRANKSHAFT ASSY	1							
24	1	714775-21700	CRANKSHAFT ASSY			1	1				
33	1	103854-01221	NUT, CYLINDER HEAD	1	1	1					
34	1	160310-14550	WASHER			1	1				
35	1	160642-21150	KEY, 4.7X30			1	1				
36	1	114288-21401	FLYWHEEL	1							
38	1	114780-21400	FLYWHEEL			1	1				
40	1	114250-21550	WASHER	1	1	1					
41	1	22512-040120	KEY, 4X 12	1	1	1					
42	1	714772-22720	PISTON ASSY, D	1	1	1					
44	2	714770-22500	RING SET, PISTON	1	1	1					
50	1	114299-22300	PIN, PISTON D=19	1	1	1					
51	1	22252-000190	RING, 19	2	2	2					
52	1	714770-23700	ROD ASSY, CONNECTING	1	1	1					
55	2	119265-23200	BOLT, CONNECTING ROD	2	2	2					
56	2	114770-23100	BEARING, PISTON PIN	1	1	1					
57	2	714770-23600	BEARING, CRANK PIN	1	1	1					
59	1	714770-28530	SHAFT ASSY, BALANCER	1	1	1					
64	1	24101-062024	BEARING, BALL 6202	2	2	2					
65	1	160642-21250	BOLT, 5/15-24UNF			1	1				
66	1	714770-23610	BEARING ASSY, 0.25	1	1	1					1
68	1	714770-23620	BEARING, 0.50 US	1	1	1					1

Remarks  
 (1) UNDER-SIZED PARTS.



Fig.5. LUB.OIL PUMP & GOVERNOR

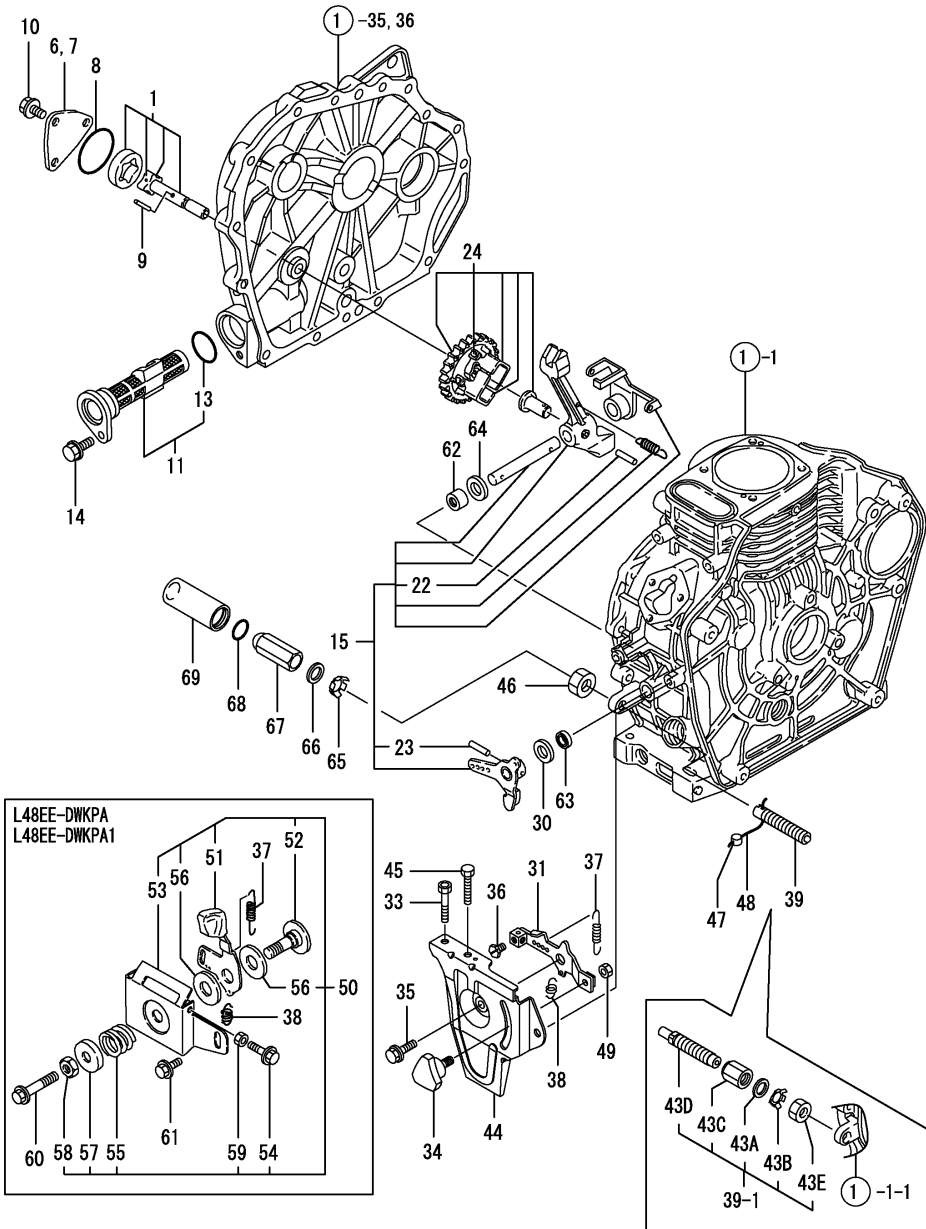
発行No. 000Y00V7740-1  
更新年月: 2005. 11  
REVISED: Novem, 2005



No.	Lev.	Parts No.	Description	Qty						I	R
				(A)	(B)	(C)	(D)	(E)	(F)		
1	1	114250-32010	PUMP ASSY, OIL	1	1	1					
6	1	114284-32070	COVER	1							
7	1	114250-32070	COVER		1	1					
8	1	103338-32570	O-RING	1	1	1					
9	1	22312-030160	PIN, PARALLEL M3X16	1	1	1					
10	1	26476-060142	SCREW, TAPPING M6X14	3	3	3					
11	1	114250-35110	FILTER ASSY, OIL	1	1	1					
13	2	24341-000224	O-RING, 1AS22.4	1	1	1					
14	1	26106-060162	BOLT, M6X 16 PLATED	1	1	1					
15	1	714278-61500	LEVER ASSY, GOVERNOR	1	1	1					
22	3	22322-030200	PIN, TAPER 3X20	1	1	1					
23	2	22322-030200	PIN, TAPER 3X20	1	1	1					
24	1	714770-61100	GOVERNOR ASSY	1	1	1					
30	1	114770-61190	WASHER	1	1	1					
31	1	114250-66050	HANDLE, REGULATOR	1							
33	1	102100-67080	BOLT, ADJUSTING	1							
34	1	160725-78350	KNOB	1							
35	1	26106-060142	BOLT, M6X 14 PLATED	1							
36	1	26117-040088	BOLT M 4X 8 PLATED	1							
37	1	114770-66010	SPRING, REGULATOR	1	1	1					
38	1	114250-66200	SPRING, RETURN	1	1	1					
39	1	114771-66550	LIMITER ASSY, FUEL	1	1	1					
39-1	1	114771-61700	LIMITER ASSY, FUEL	1	1	1					S
		(A=E05448) (B=E05448) (C=E05448)									
43A	2	114771-61810	WASHER, 14	1	1	1					W
		(A=E05448) (B=E05448) (C=E05448)									
43B	2	114771-61830	PLATE	1	1	1					W
		(A=E05448) (B=E05448) (C=E05448)									
43C	2	114771-61940	NUT, M14	1	1	1					W
		(A=E05448) (B=E05448) (C=E05448)									
43D	2	114771-66600	LIMITER ASSY, FUEL	1	1	1					W
		(A=E05448) (B=E05448) (C=E05448)									
43E	2	114771-66690	NUT, M14	1	1	1					W
		(A=E05448) (B=E05448) (C=E05448)									
44	1	114299-66100	BRACKET	1							
45	1	114250-66440	BOLT, ADJUSTING	1							
46	1	26696-100002	NUT, LOCK M10	1	1	1					
46-1	1	26776-100002	NUT, LOCK M10	1	1	1					N
		(A=E02600) (B=E02600) (C=E03424)									
46-2	1	26776-100002	NUT, LOCK M10	1	1	1					Z
		(A=E05448) (B=E05448) (C=E05448)									
47	1	135210-61090	LEAD	2	2	2					
47-1	1	135210-61090	LEAD	1	1	1					K
		(A=E02600) (B=E02600) (C=E03424)									
48	1	22451-060000	WIRE, 0.6	2	2	2					
48-1	1	22451-060000	WIRE, 0.6	1	1	1					K
		(A=E02600) (B=E02600) (C=E03424)									
49	1	26347-060002	NUT, M6	1							
50	1	183250-66500	BRACKET ASSY		1	1					
51	2	183250-66050	HANDLE, REGULATOR		1	1					
52	2	183250-66070	SHAFT, HANDLE		1	1					

Fig.5. LUB.OIL PUMP & GOVERNOR

発行No. 000Y00V7740-1  
更新年月: 2005.11  
REVISED: Novem, 2005

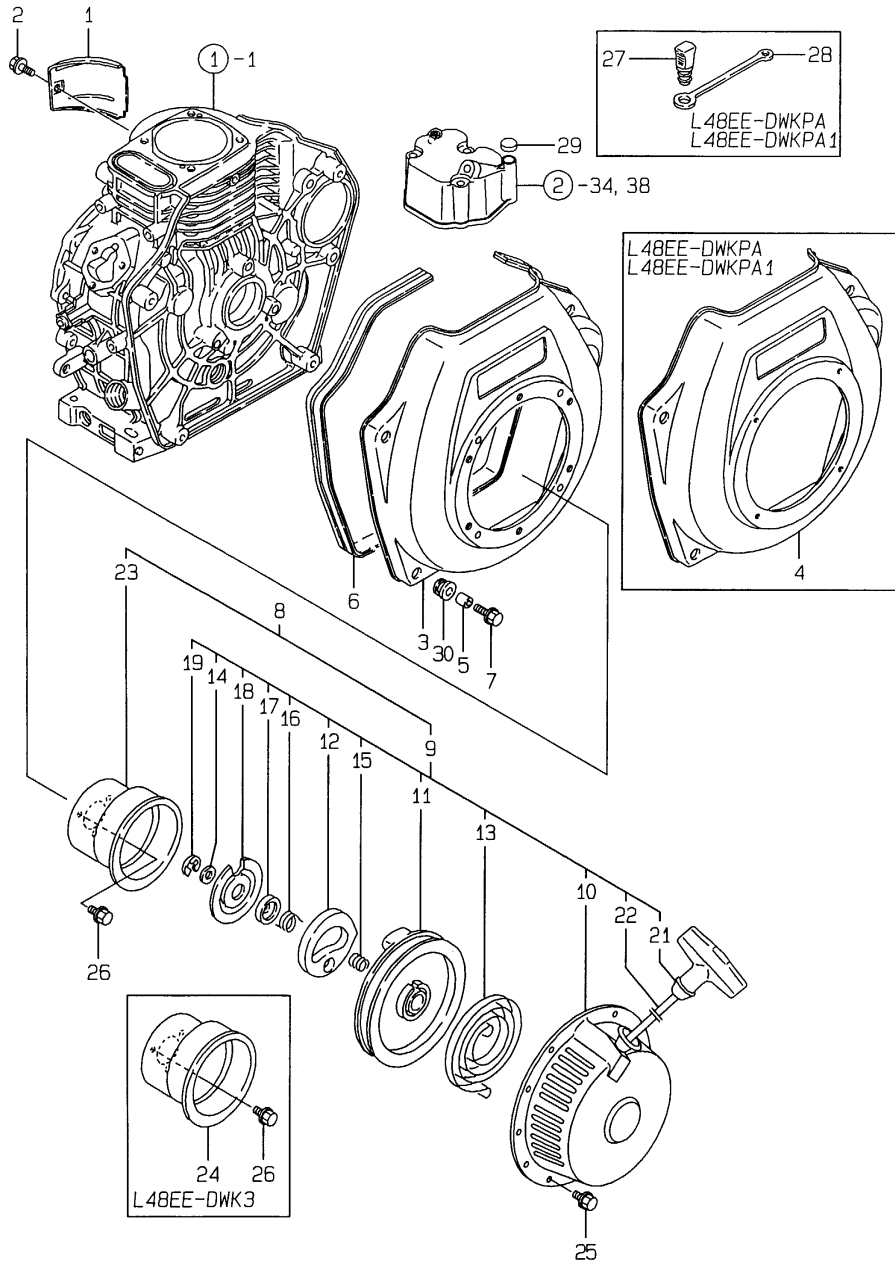


(A)=L48EE-DWK3  
(B)=L48EE-DWKPA  
(C)=L48EE-DWKPA1

(D)=  
(E)=  
(F)=

No.	Lev.	Parts No.	Description	Qty						I	R
				(A)	(B)	(C)	(D)	(E)	(F)		
53	2	183250-66100	BRACKET, RADIATOR	1	1						
54	2	114250-66440	BOLT, ADJUSTING	1	1						
55	2	104200-66820	SPRING	1	1						
56	2	104200-66830	PLATE, FRICTION		2	2					
57	2	104200-66850	WASHER	1	1						
58	2	26696-100002	NUT, LOCK M10	1	1						
59	2	26757-060002	NUT, LOCK M6		1	1					
60	1	26106-060452	BOLT, M6X 45 PLATED	1	1	1					
61	1	26476-060142	SCREW, TAPPING M6X14	1	1						
62	1	114770-61520	BEARING, NEEDLE		2	2	2				
63	1	114770-61600	SEAL, OIL	1	1	1					
64	1	114770-61610	WASHER, THRUST	1	1	1					
65	1	114771-61820	PLATE	1	1	1					W
		(A=E02600) (B=E02600) (C=E03424)									
65-1	1	114771-61820	PLATE	1	1	1					Z
		(A=E05448) (B=E05448) (C=E05448)									
66	1	114771-61800	WASHER, 10	1	1	1					W
		(A=E02600) (B=E02600) (C=E03424)									
66-1	1	114771-61800	WASHER, 10	1	1	1					Z
		(A=E05448) (B=E05448) (C=E05448)									
67	1	114771-61930	NUT, CAP M10	1	1	1					W
		(A=E02600) (B=E02600) (C=E03424)									
67-1	1	114771-61930	NUT, CAP M10	1	1	1					Z
		(A=E05448) (B=E05448) (C=E05448)									
68	1	24311-000125	O-RING, 1AP12.5	1	1	1					W
		(A=E02600) (B=E02600) (C=E03424)									
68-1	1	24311-000125	O-RING, 1AP12.5	1	1	1					Z
		(A=E05448) (B=E05448) (C=E05448)									
69	1	114771-61900	PROTECTOR	1	1	1					W
		(A=E02600) (B=E02600) (C=E03424)									

Fig.6. COOLING & STARTING DEVICE



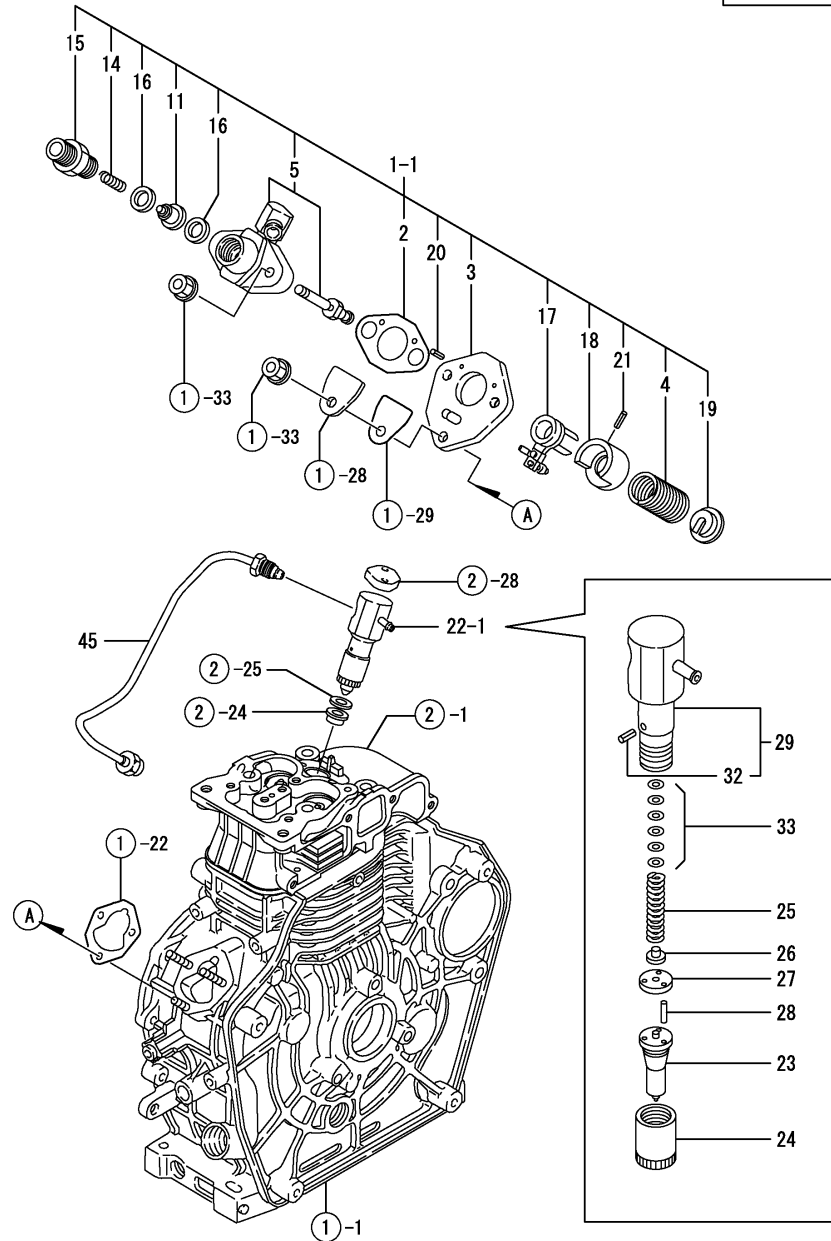
(A)=L48EE-DWK3  
 (B)=L48EE-DWKPA  
 (C)=L48EE-DWKPA1

(D)=  
 (E)=  
 (F)=

No.	Lev.	Parts No.	Description	Qty						I	R
				(A)	(B)	(C)	(D)	(E)	(F)		
1	1	114299-45210	COVER	1	1	1					
2	1	26106-060122	BOLT, M6X 12 PLATED	1	1	1					
3	1	114274-45101	CASE, COOLING FAN	1							
4	1	114771-45100	CASE, COOLING FAN		1	1					
5	1	114250-45310	COLLAR	4	4	4					
6	1	114250-45330	SEAL, FAN CASE L=875	1	1	1					
7	1	114370-45351	BOLT	4	4	4					
8	1	114260-76051	STARTER ASSY, RECOIL	1	1						
9	2	114260-76251	STARTER ASSY, RECOIL	1	1						
10	3	114260-76520	CASE, STARTER		1	1					
11	3	160260-76520	REEL		1	1					
12	3	160260-76530	RATCHET		1	1					
13	3	160260-76540	SPRING, SPIRAL		1	1					
14	3	160260-76550	WASHER, THRUST		1	1					
15	3	160260-76560	SPRING, FRICTION		1	1					
16	3	160290-76570	SPRING, RETURN		1	1					
17	3	160260-76580	COVER		1	1					
18	3	160260-76590	PLATE, FRICTION		1	1					
19	3	160260-76600	CIRCLIP		1	1					
21	3	114250-76620	KNOB, STARTER		1	1					
22	3	160260-76630	ROPE, STARTER		1	1					
23	2	114250-76590	PULLEY, STARTER			1	1				
24	1	114250-76590	PULLEY, STARTER	1							
25	1	26106-060082	BOLT, M6X 8 PLATED		4	4					
26	1	26106-060122	BOLT, M6X 12 PLATED	3	3	3					
27	1	114250-76600	PLUNGER		1	1					
28	1	114250-76610	HOLDER, PLUNGER		1	1					
29	1	129100-61850	PLUG, 12	1							
30	1	114250-45301	ABSORBER	4	4	4					

Fig.7. FUEL INJECTION PUMP

発行No. 000Y00V7740-1  
 更新年月: 2005. 11  
 REVISED: Novem. 2005



(A)=L48EE-DWK3  
 (B)=L48EE-DWKPA  
 (C)=L48EE-DWKPA1

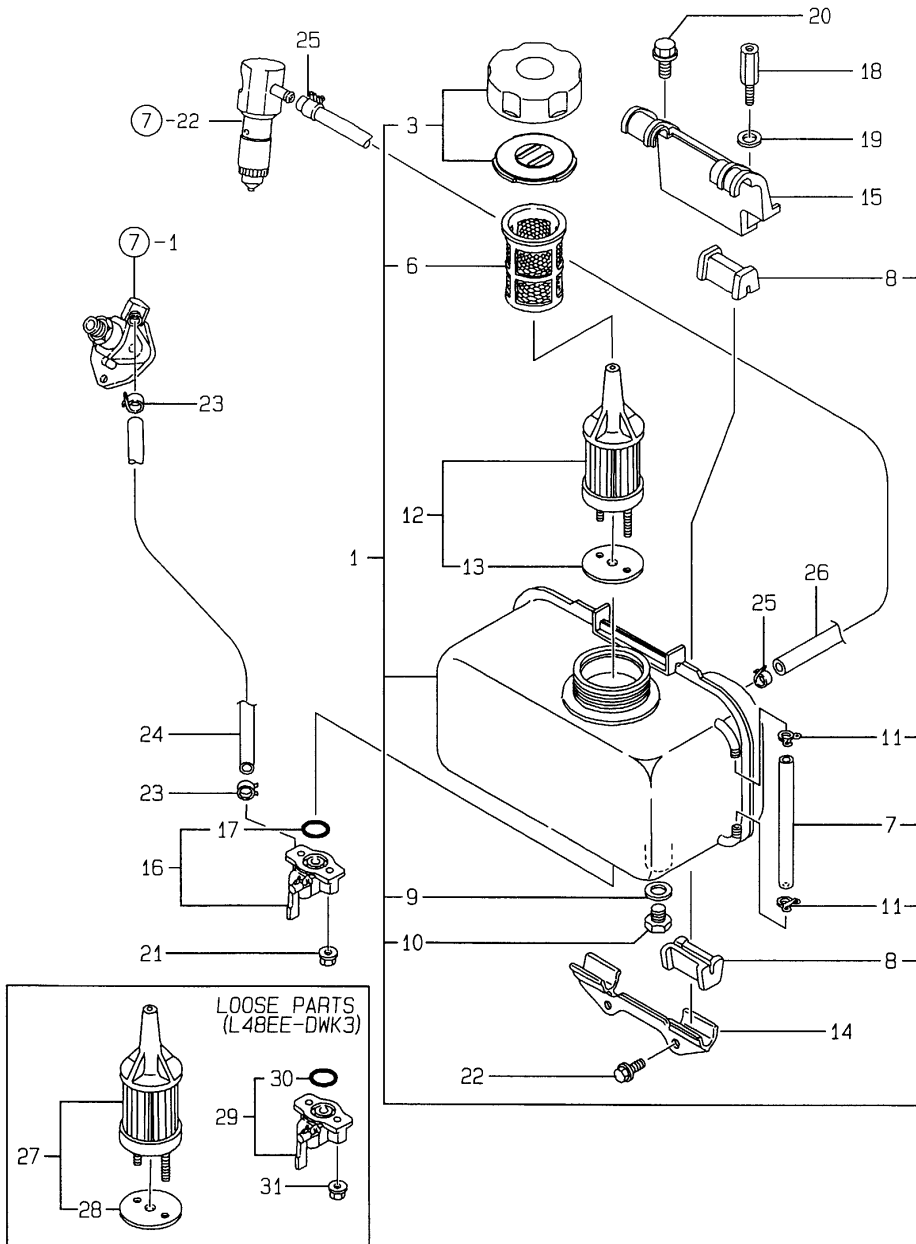
(D)=  
 (E)=  
 (F)=

No.	Lev.	Parts No.	Description	Qty						I	R
				(A)	(B)	(C)	(D)	(E)	(F)		
1-1	1	714775-51100	PUMP ASSY, INJECTION	1	1	1					
2	2	105546-51020	GASKET	1	1	1					
3	2	114250-51080	PLATE	1	1	1					
4	2	114250-51160	SPRING, PLUNGER	1	1	1					
5	2	114350-51200	BODY ASSY, PUMP	1	1	1					
11	2	114250-51300	VALVE ASSY, DELIVERY	1	1	1					
14	2	105546-51330	SPRING, DELIVERY	1	1	1					
15	2	114250-51340	HOLDER, DELIVERY	1	1	1					
16	2	124550-51350	GASKET, DELIVERY	2	2	2					
17	2	114250-51600	LEVER ASSY, CONTROL	1	1	1					
18	2	114250-51640	SEAT, SPRING A	1	1	1					
19	2	114250-51650	SEAT, SPRING B	1	1	1					
20	2	22351-020006	PIN, SPRING 2.0X 6	2	2	2					
21	2	22351-030008	PIN, SPRING 3.0X 8	1	1	1					
22-1	1	714775-53100	VALVE ASSY, INJECTION	1	1	1					
23	2	114771-53000	VALVE ASSY, INJECTION	1	1	1					
24	2	119593-53080	NUT, NOZZLE	1	1	1					
25	2	114250-53120	SPRING, NOZZLE	1	1	1					
26	2	119593-53130	SEAT, SPRING	1	1	1					
27	2	114775-53140	SPACER, VALVE STOP	1	1	1					
28	2	114775-53210	PIN	2	2	2					
29	2	114775-53100	HOLDER ASSY, NOZZLE	1	1	1					
32	3	114775-53330	PIN	1	1	1					
33	2	114250-53400	SHIM SET	1	1	1					
45	1	114771-59802	PIPE ASSY, INJECTION	1	1	1					

Fig.8. FUEL TANK & FUEL LINE

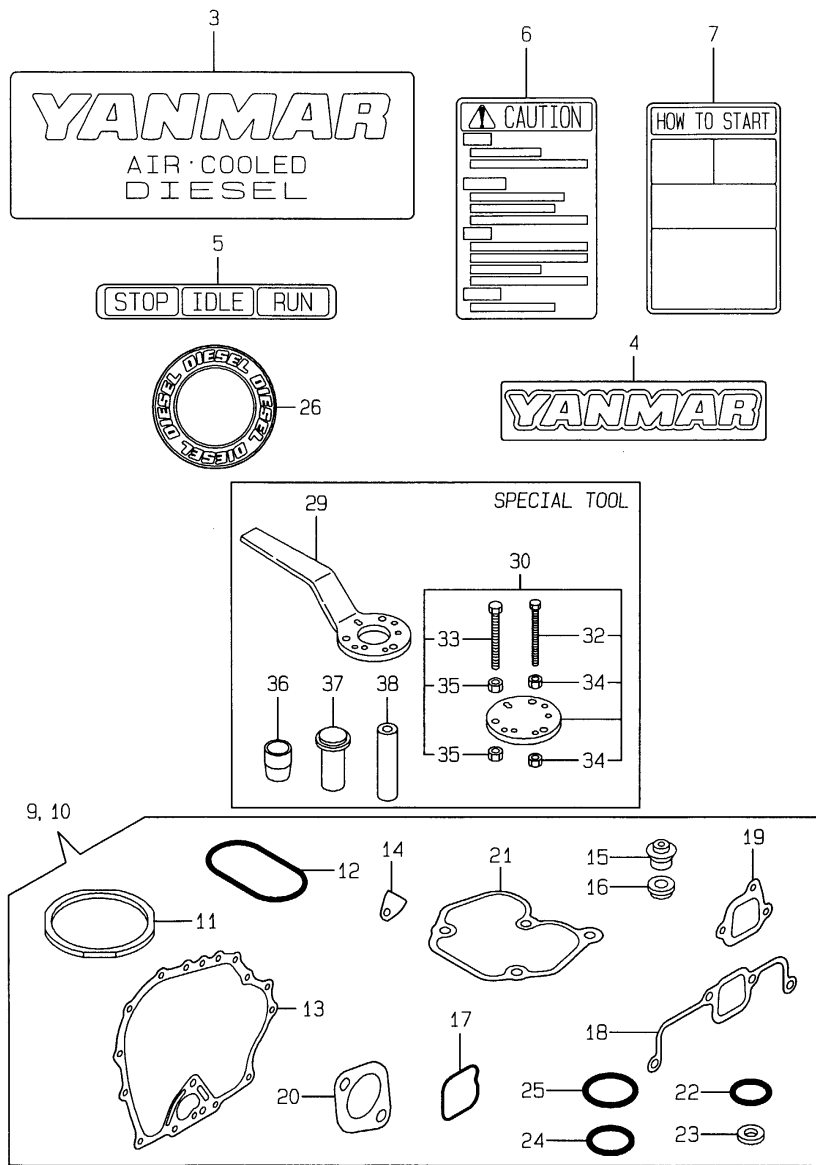
(A)=L48EE-DWK3  
 (B)=L48EE-DWKPA  
 (C)=L48EE-DWKPA1

(D)=  
 (E)=  
 (F)=



No.	Lev.	Parts No.	Description	Q'ty						I	R
				(A)	(B)	(C)	(D)	(E)	(F)		
1	1	714250-55701	TANK ASSY, FUEL 2.5L		1	1					
3	2	114288-55040	CAP ASSY		1	1					
6	2	114250-55100	FILTER, FUEL		1	1					
7	2	114250-55150	GAUGE, LEVEL		1	1					
8	2	114250-55201	DAMPER, FUEL TANK		4	4					
9	2	23414-080000	GASKET, 8X1.0		1	1					
10	2	105300-55080	PLUG, 8		1	1					
11	2	103854-55220	RETAINER		2	2					
12	1	114250-55121	FILTER ASSY, FUEL		1	1					
13	2	114250-55130	GASKET		1	1					
14	1	114299-55210	STAY, FUEL TANK		1	1					
15	1	114299-55230	STAY, FUEL TANK		1	1					
16	1	114250-55300	COCK ASSY, FUEL		1	1					
17	2	24341-000150	O-RING, 1AS15.0		1	1					
18	1	114650-55810	BOLT		1	1					
19	1	22117-080000	WASHER, 8		1	1					
20	1	26106-080452	BOLT, M8X 45 PLATED		1	1					
21	1	26366-060002	NUT, M6		2	2					
22	1	26476-060142	SCREW, TAPPING M6X14		2	2					
23	1	106990-44660	CLIP, HOSE 12.5		2	2					
24	1	114268-59061	PIPE, FUEL L=50		1	1					
25	1	124722-59050	CLIP, HOSE 9		2	2					
26	1	114250-59060	PIPE, FUEL RETURN		1	1					
27	1	114250-55121	FILTER ASSY, FUEL		1						
28	2	114250-55130	GASKET		1						
29	1	114250-55300	COCK ASSY, FUEL		1						
30	2	24341-000150	O-RING, 1AS15.0		1						
31	1	26366-060002	NUT, M6		2						

Fig.9. TOOL,LABEL & GASKET SET



(A)=L48EE-DWK3  
(B)=L48EE-DWKPA  
(C)=L48EE-DWKPA1

(D)=  
(E)=  
(F)=

No.	Lev.	Parts No.	Description	Q'ty						I	R
				(A)	(B)	(C)	(D)	(E)	(F)		
3	1	114250-07090	LABEL, AIR COOLED		1	1					
4	1	114250-07111	LABEL, YANMAR		1	1					
5	1	183250-07230	LABEL, OPERATION		1	1					
6	1	114268-07240	LABEL, CAUTION		1	1					
7	1	114268-07350	LABEL, HOW TO START		1	1					
9	1	714771-92610	GASKET SET	1							1
10	1	714771-92600	GASKET SET		1	1					1
11	2	114771-01330	GASKET SET, HEAD	1	1	1					
12	2	114250-01380	O-RING	1	1	1					
13	2	114250-01412	GASKET, CRANK CASE	1	1	1					
14	2	114250-01841	GASKET	1	1	1					
15	2	114250-11340	SEAL, VALVE STEM	2	2	2					
16	2	114771-11461	GASKET, NOZZLE	1	1	1					
17	2	114288-12210	O-RING	1							
18	2	114771-12200	GASKET		1	1					
19	2	114250-12211	GASKET, AIR CLEANER	1	1	1					
20	2	114250-13201	GASKET, MUFFLER	1	1	1					
21	2	114771-11310	GASKET, BONNET	1	1	1					
22	2	114299-01950	O-RING, 18	1	2	2					
23	2	22190-160002	WASHER, SEAL 16	2	2	2					
24	2	24341-000224	O-RING, 1AS22.4	1	1	1					
25	2	103338-32570	O-RING	1	1	1					
26	1	114261-07350	LABEL		1	1					
29	1	114250-92101	F.W. LOCKING HANDLE	1	1	1					1
30	1	114250-92130	REMOVER, FLYWHEEL	1	1	1					1
32	2	26116-060454	BOLT M 6X 45 PLATED	4	4	4					1
33	2	26116-080454	BOLT, M8X 45 PLATED	3	3	3					1
34	2	26716-060002	NUT, M6	8	8	8					1
35	2	26716-080002	NUT, M8	6	6	6					1
36	1	114250-92301	GUIDE	1	1	1					1
37	1	114250-92311	INSTALLING TOOL	1	1	1					1
38	1	114250-92350	INSTALLING TOOL	1	1	1					1

Remarks  
(1) OPTIONAL PART.

# Parts No. Index

Parts No.	Fig. No.	Ref. No.
102100-67080	5	33
103338-32570	5	8
	9	25
103854-01221	4	33
103854-55220	8	11
104200-66820	5	55
104200-66830	5	56
104200-66850	5	57
105300-55080	8	10
105425-01690	1	43
105546-51020	7	2
105546-51330	7	14
106990-44660	8	23
114250-01200	1	10
114250-01210	1	11
114250-01221	1	12
114250-01251	1	13
114250-01380	1	21
	9	12
114250-01412	1	34
	9	13
114250-01800	1	22
114250-01830	1	28
114250-01841	1	29
	9	14
114250-02100	1	40
114250-02113	1	49
114250-02200	1	57
114250-02210	1	58
114250-07090	9	3
114250-07111	9	4
114250-11120	2	8
114250-11180	2	9
114250-11240	2	16
		20
114250-11340	2	23
	9	15
114250-11600	2	26
114250-11901	2	28
114250-12211	3	1
	9	19
114250-12300	3	9
114250-12520	3	4
114250-12530	3	5
114250-12550	3	8
114250-12560	3	6
114250-12580	3	7
114250-13201	3	19
	9	20
114250-13521	3	15

Parts No.	Fig. No.	Ref. No.
114250-13701	3	17
114250-14200	4	17
114250-14450	4	19
114250-14451	4	19 -1
114250-21550	4	40
114250-32010	5	1
114250-32070	5	7
114250-35110	5	11
114250-35150	1	55
114250-45301	6	30
114250-45310	6	5
114250-45330	6	6
114250-51080	7	3
114250-51160	7	4
114250-51300	7	11
114250-51340	7	15
114250-51600	7	17
114250-51640	7	18
114250-51650	7	19
114250-53120	7	25
114250-53400	7	33
114250-55100	8	6
114250-55121	8	12
		27
114250-55130	8	13
		28
114250-55150	8	7
114250-55201	8	8
114250-55300	8	16
		29
114250-59060	8	26
114250-66050	5	31
114250-66200	5	38
114250-66440	5	45
		54
114250-76590	6	23
		24
114250-76600	6	27
114250-76610	6	28
114250-76620	6	21
114250-92101	9	29
114250-92130	9	30
114250-92301	9	36
114250-92311	9	37
114250-92350	9	38
114254-01452	1	35
114260-01455	1	36
114260-76051	6	8
114260-76251	6	9
114260-76520	6	10

Parts No.	Fig. No.	Ref. No.
114261-07350	9	26
114268-07240	9	6
114268-07350	9	7
114268-59061	8	24
114270-01600	1	30
114274-45101	6	3
114284-32070	5	6
114288-03580	2	40
114288-03641	2	43
114288-03950	2	44
114288-12020	3	26
114288-12210	3	27
	9	17
114288-13800	3	23
114288-21401	4	36
114288-55040	8	3
114299-01760	1	44
114299-01950	1	46
	9	22
114299-02030	1	48
114299-22300	4	50
114299-45210	6	1
114299-55210	8	14
114299-55230	8	15
114299-66100	5	44
114350-01700	1	6
114350-51200	7	5
114370-45351	6	7
114650-55810	8	18
114770-23100	4	56
114770-61190	5	30
114770-61520	5	62
114770-61600	5	63
114770-61610	5	64
114770-66010	5	37
114771-01330	1	15
	9	11
114771-11020	2	1
114771-11100	2	6
114771-11110	2	7
114771-11250	2	12
114771-11260	2	13
114771-11310	2	33
	9	21
114771-11461	2	24
	9	16
114771-11470	2	25
114771-11650	2	14
114771-11660	2	18
114771-11960	2	34

Parts No.	Fig. No.	Ref. No.
114771-11970	2	38
114771-12010	3	10
114771-12200	3	11
	9	18
114771-14260	4	18
114771-45100	6	4
114771-53000	7	23
114771-59802	7	45
114771-61700	5	39 -1
114771-61800	5	66
		66 -1
114771-61810	5	43 A
114771-61820	5	65
		65 -1
114771-61830	5	43 B
114771-61900	5	69
114771-61930	5	67
		67 -1
114771-61940	5	43 C
114771-66550	5	39
114771-66600	5	43 D
114771-66690	5	43 E
114775-53100	7	29
114775-53140	7	27
114775-53210	7	28
114775-53330	7	32
114780-14561	4	10
114780-21400	4	38
119260-11370	2	27
119265-23200	4	55
119593-53080	7	24
119593-53130	7	26
124550-51350	7	16
124722-59050	8	25
124950-01250	1	14
129100-61850	6	29
135210-61090	5	47
		47 -1
160110-02220	1	50
160210-02220	1	51
160260-76520	6	11
160260-76530	6	12
160260-76540	6	13
160260-76550	6	14
160260-76560	6	15
160260-76580	6	17
160260-76590	6	18
160260-76600	6	19
160260-76630	6	22
160290-76570	6	16

## Parts No. Index

Parts No.	Fig. No.	Ref. No.
160310-14550	4	34
160642-21150	4	35
160642-21250	4	65
160725-78350	5	34
183250-07230	9	5
183250-66050	5	51
183250-66070	5	52
183250-66100	5	53
183250-66500	5	50
22117-080000	8	19
22190-160002	1	47
	9	23
22242-000120	2	22
22252-000190	4	51
22312-030160	5	9
22312-040080	1	9
22322-030200	5	22
		23
22351-020006	7	20
22351-030008	7	21
22351-040008	2	29
22451-060000	5	48
		48 -1
22512-040120	4	41
23414-080000	8	9
23876-010000	1	54
24101-062024	4	64
24162-152112	1	52
24311-000125	5	68
		68 -1
24341-000150	8	17
		30
24341-000224	5	13
	9	24
26106-060082	3	18
	6	25
26106-060122	3	20
	6	2
		26
26106-060142	5	35
26106-060162	5	14
26106-060252	1	56
	3	12
26106-060452	2	30
	5	60
26106-060552	2	50
26106-080122	1	53
26106-080352	1	8
26106-080452	8	20
26106-100122	1	7

Parts No.	Fig. No.	Ref. No.
26116-060454	9	32
26116-080454	9	33
26117-040088	5	36
26216-080182	3	21
26226-060142	3	13
26226-060182	1	31
26226-060222	1	32
26226-060552	3	14
26226-060652	2	31
26347-060002	5	49
26366-060002	1	33
	2	32
	8	21
		31
26366-080002	3	22
26367-060002	3	25
26476-060142	5	10
		61
	8	22
26554-060182	3	24
26696-100002	5	46
		58
26716-060002	9	34
26716-080002	9	35
26757-060002	5	59
26776-100002	5	46 -1
		46 -2
26856-060002	2	17
		21
714250-11570	2	10
714250-12560	3	2
714250-55701	8	1
714278-61500	5	15
714471-14580	4	12
714471-14581	4	12 -1
714770-22500	4	44
714770-23600	4	57
714770-23610	4	66
714770-23620	4	68
714770-23700	4	52
714770-28530	4	59
714770-61100	5	24
714771-01560	1	1
714771-14580	4	1
714771-92600	9	10
714771-92610	9	9
714772-22720	4	42
714774-01560	1	1 -1
714774-21700	4	23
714775-21700	4	24

Parts No.	Fig. No.	Ref. No.
714775-51100	7	1 -1
714775-53100	7	22 -1

Parts No.	Fig. No.	Ref. No.
-----------	----------	----------