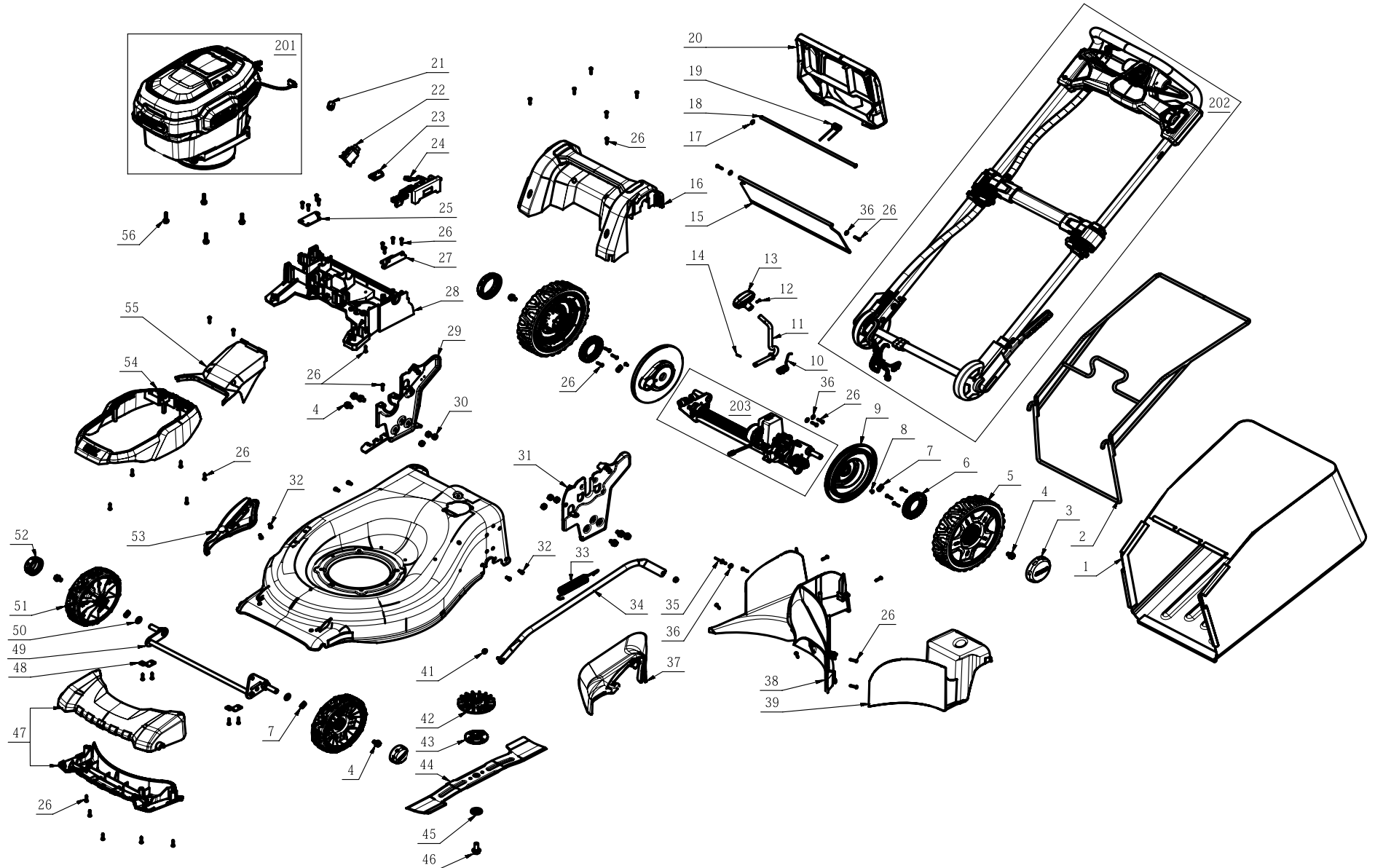




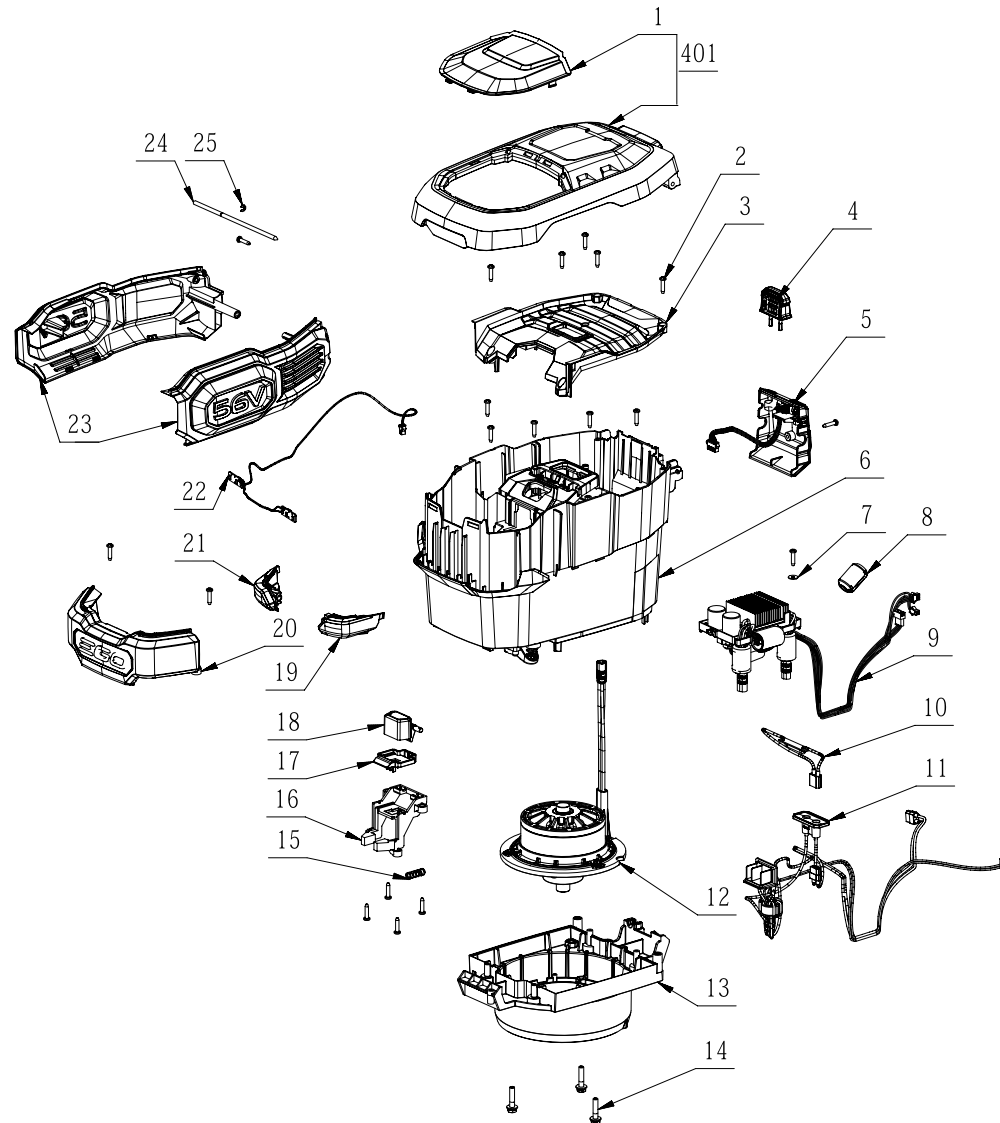
Product Description:Lawn Mower
Model Number:LM2020E-SP
Body Number:1000019001_S
Version: B
Issue Date: 2020/07/13





Product Description:Lawn Mower
Model Number:LM2020E-SP
Body Number:1000019001_S
Version: B
Issue Date: 2020/07/13

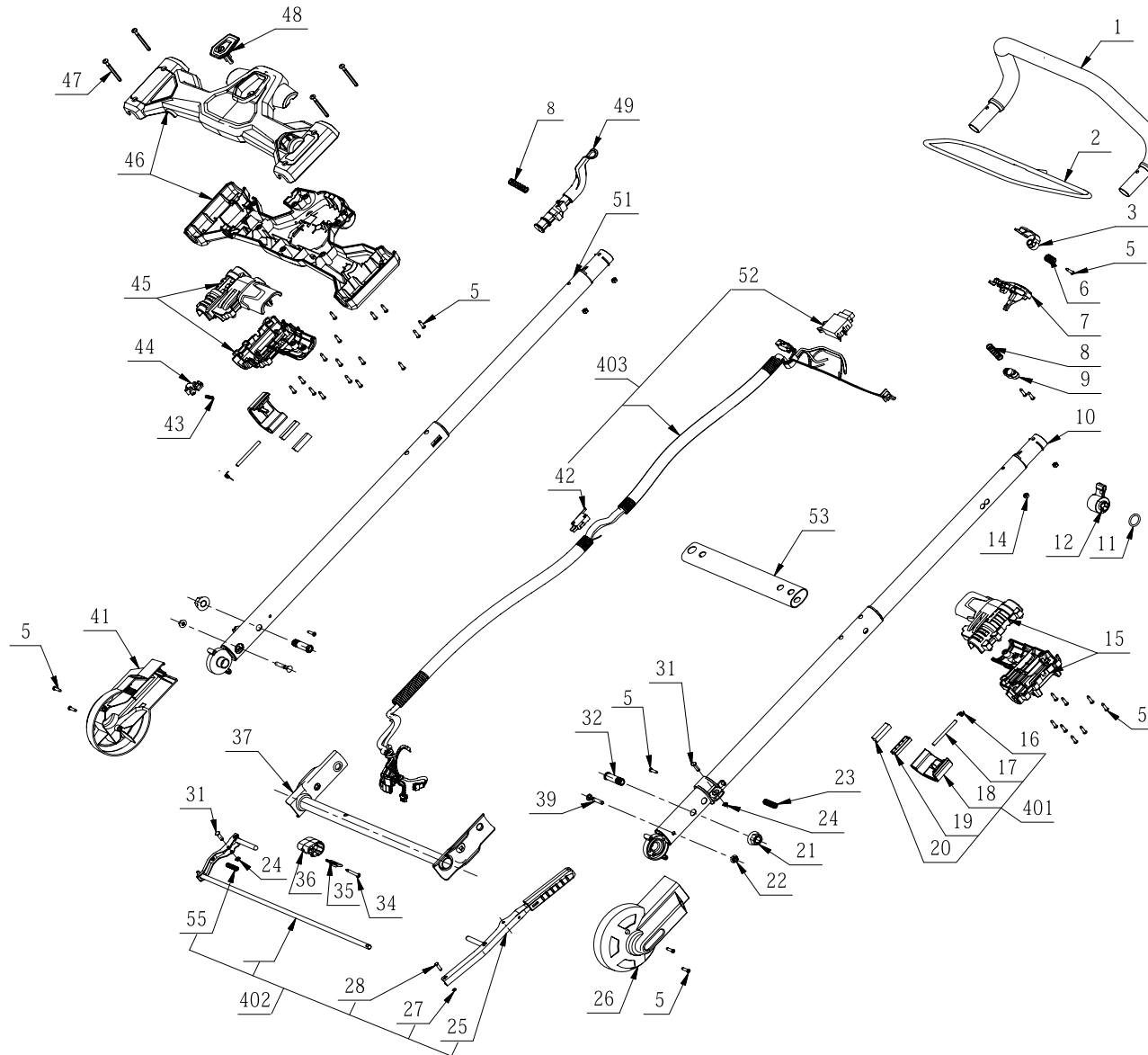
201





Product Description:Lawn Mower
Model Number:LM2020E-SP
Body Number:1000019001_S
Version: B
Issue Date: 2020/07/13

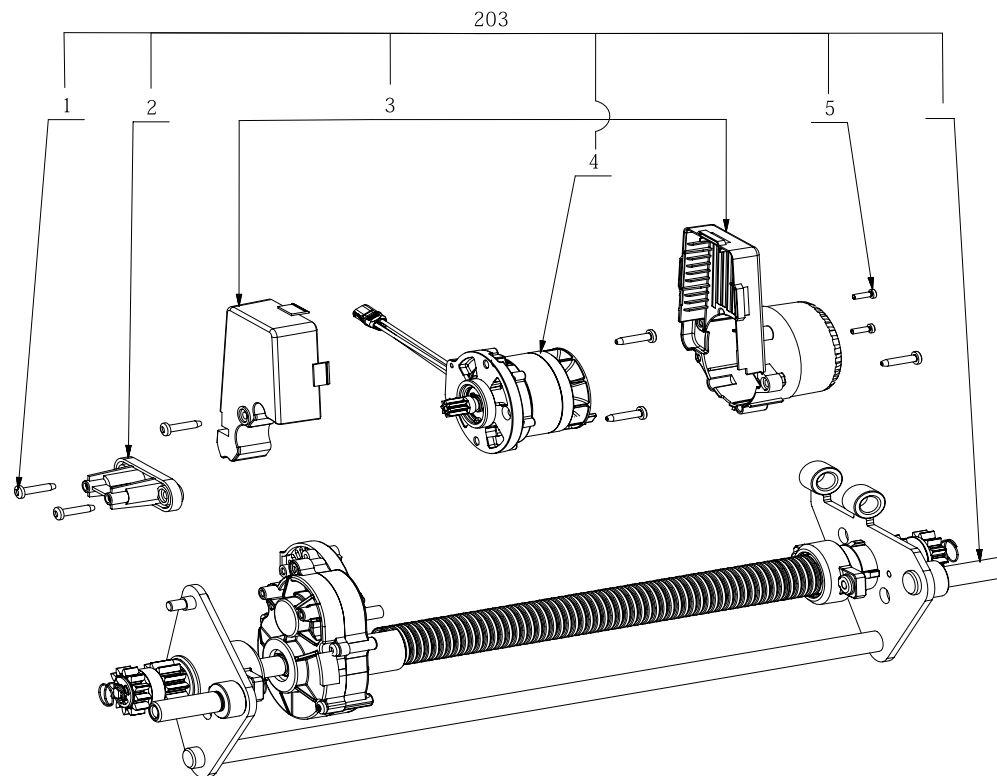
202





Product Description:Lawn Mower
Model Number:LM2020E-SP
Body Number:1000019001_S
Version: B
Issue Date: 2020/07/13

203





Repair Parts_Lawn Mower_4906.2(LM2020E-SP B)

Index No.	Art. No.	Description	QTY in machine	Weight (g)	Size LxWxH (mm)	MPQ	Repairable or Not?	Standard Repair Time (min.)
1	3800110001	Grass Catcher	1	716	588x401x413	1	Y	1
2	3650172001	Bag Frame	1	1322.5	588x401x413	1	Y	1
3	3126765001	Hubcap	2	23.5	Φ81.7x19.8	1	Y	1
4	5640010003	Hexagon Flange Bolt	10	12.5	M8x12	10	Y	1
5	2825267001	Wheel Assembly	2	778.5	Φ232x60.5	1	Y	2
6	3520933001	Gear	2	120	Φ82x8	1	Y	5
7	5650453001	Wave Washer	4	0.4	13x20x3	10	Y	1
8	5620067010	Screw	2	1	M4x8	10	Y	1
9	3128946001	Protecting Cap	2	77.5	Φ189x30.1	1	Y	3
10	3660750001	Torsion Spring	1	14	Φ15.8x31	1	Y	20
11	2826424001	Height Adjusting Bar	1	153.7	140.8x89x52.6	1	Y	15
12	5620065005	Screw	1	1	M3x12	10	Y	1
13	3128692001	Height Adjusting Lever	1	22.5	61.5x22.4x50	1	Y	2
14	5670184002	Pin	1	0.5	φ2x15	1	Y	1
15	3128114001	Trail Shield	1	200	400x160x2.5	1	Y	1
16	2825016001	Motor Top Cover Assembly	1	511	370x216x196	1	Y	5
17	5660139002	E Ring	1	0.4	6	10	Y	1
18	5670457001	Shaft	1	100	Φ7x365	1	Y	10
19	3660559001	Torsion Spring	1	15	15.2x25	1	Y	5
20	3127944001	Rear Cover	1	279.26	336x254.8x46.6	1	Y	10
21	3680259001	Magnet Ring	1	15	5x16.5x29.5	1	Y	10
22	4870566002	Push Switch	1	34.7	52.5x36.5x17.9	1	Y	10
23	3680227001	Magnetic Block	1	20.4	20x20x35	1	Y	1
24	2830540001	4906.2 Electric Assembly	1	50	101x46x27.4	1	Y	5
25	3706195001	Right Fixing Block	1	40.4	70x35x2.5	1	Y	1
26	5620157006	Hexagon Socket Screw	49	1.95	M4.2x19	10	Y	1
27	3706196001	Left Fixing Block	1	75.2	79.5x35x30	1	Y	1
28	3126984001	Rear Cover	1	388.8	352x230x122.7	1	Y	5
29	2824721001	Support ASSY	1	905.29	267x58.5x257.6	1	Y	1
30	5630271001	Nut	6	4.5	M8	10	Y	1
31	3706155001	Support Plate	1	947.8	260.5x48x245	1	Y	1
32	5620213004	Hexagon Socket Screw	6	3.4	M5x10	10	Y	1
33	3660609001	Tension Spring	1	150.5	22.5x168	1	Y	15
34	2824128001	Connecting Rod ASSY	1	503.5	620x12x108	1	Y	10
35	5680200001	Rivet	1	5.1	Φ4x12	1	Y	1
36	5650004001	Plain Washer	5	0.74	4	10	Y	1
37	3127950001	Side Discharge Chute	1	216	363x175x155	1	Y	1
38	3127956001	Rear Enclosure	1	653.04	445x270x211	1	Y	1
39	3127949001	Mulch Plug	1	282.22	234x225x161	1	Y	1
41	5630013003	Prevailing Torque Hexagon Nut	2	3.5	M6	10	Y	1
42	3127847001	Fan	1	42	23.5x100x12.8	1	Y	2
43	3520852002	Motor Bushing	1	110	16.7x62x16.8	1	Y	2
44	3706023001	Blade	1	616.5	494x14.5x102	1	N	/
45	5650510001	Washer	1	14.5	16.7x30x4	10	Y	2
46	5640226001	Flange Bolt	1	25.5	M10x25	10	Y	2
47	2824527001	Top Cover ASSY	1	415	382x146x86	1	Y	5
48	3705216001	Mounting Plate	2	12.5	49.5x17x17	1	Y	1
49	2824348001	Front Axle Set	1	716.5	485.5x82x78	1	Y	15
50	5650032003	Plain Washer	2	5.5	Φ12x2	10	Y	1
51	2824429003	Wheel Assembly	2	393.5	Φ180x49.7	1	Y	2
52	3126769001	Hubcap	2	13.5	Φ55x21.7	1	Y	1
53	2824255002	Guard ASSY	1	172	216x151x85	1	Y	5
54	3127951001	Housing Cover	1	209.88	234x384x86	1	Y	10
55	3128686001	Service Cover	1	99.8	189x130x204.5	1	Y	5
56	5640217001	Bolt and Washer Set	4	9	M6x30	10	Y	1
201	2824822009	Power Unit	1	4261.8	350x347x263.5	1	Y	5
202	2824855002	Handle ASSY	1	4635.3	859x501x237	1	Y	5
203	2826561001	Self-Propelled Unit	1	2264.8	485.5x179.4x126.6	1	Y	10
201-1	3127900001	Transparent Guard	1	50	126x157x35	1	Y	3
201-2	5610042014	Tapping Screw	19	1.95	4.2x19	10	Y	1
201-3	3127879001	Inner Cover	1	98	126x150x51	1	Y	2
201-4	5680196001	Key	1	23.6	43.5x52x18	1	Y	1
201-5	2825833001	LED Cover ASSY	1	42.5	97x86x37	1	Y	5
201-6	2825623001	Battery Box ASSY	1	780.6	222.6x229.5x336.3	1	Y	30
201-7	5650004001	Plain Washer	1	0.74	4	10	Y	1
201-8	3680226001	Magnetic Block	1	27.5	23.5x22.2x36	1	Y	1
201-9	2830176002	Electric Assembly	1	5	-	1	Y	15
201-10	2830216001	PCB Assembly	1	17	-	1	Y	15
201-11	2830201002	Electric Assembly	1	130	-	1	Y	15
201-12	2730252001	DC Motor	1	2051	Φ156x118	1	Y	20
201-13	2825644001	Base Assembly	1	453	284x175x84	1	Y	20
201-14	5640217002	Bolt and Washer Set	3	9	M6x30	10	Y	1
201-15	3660303002	Spring	1	0.5	9x25	10	Y	15
201-16	3126782001	Fixed Unit	1	27.8	79.3x71x68	1	Y	15
201-17	3126772001	Sliding Block	1	8.13	48.9x44x17.5	1	Y	15
201-18	3126760001	Release Button	1	14.4	46x33.3x37	1	Y	15
201-19	2824936001	Left Transparent Cap ASSY	1	10.5	59x61x33	1	Y	15
201-20	2824901002	Front Cover ASSY	1	65.5	67x78x206	1	Y	15
201-21	2824935001	Right Transparent Cap ASSY	1	10.5	59x61x33	1	Y	15
201-22	2830182001	Electric Assembly	1	8.9	80x140x20	1	Y	20
201-23	3900680001	Decorative Cover ASSY	1	220	336x138x116	1	Y	10
201-24	5670380001	Pin	1	27	5x163.5	1	Y	10
201-25	5660003003	E Ring	1	0.2	φ9x1	10	Y	1
201-401	2824902001	Battery Cover ASSY	1	298	327x208x58	1	Y	10
202-1	2823782001	Sheath ASSY	1	465	442x123x188	1	Y	20
202-2	2824118001	Control Handle ASSY	1	340	356x179.7x8	1	Y	25
202-3	3127905001	Switch Actuator	1	5.5	46.7x29.4x30.9	1	Y	25
202-5	5610294001	Tapping Screw	33.00	1.3	ST4x16	10	Y	1

Index No.	Art. No.	Description	QTY in machine	Weight (g)	Size LxWxH (mm)	MPQ	Repairable or Not?	Standard Repair Time (min.)
202-6	3660814001	Compression Spring	1	1.1	12.8x17	10	Y	10
202-7	3127908001	Switch Lever	1	16.6	81x32.5x27.7	1	Y	10
202-8	3660562001	Compression Spring	2	1.3	10.9x38	10	Y	25
202-9	3126763001	Clamp	1	2.92	34x17x11.7	1	Y	25
202-10	2827491001	Telescope Tube	1	435	37.8x22.2x999	1	Y	35
202-11	3123112001	O Ring	1	0.6	18x2.8	10	Y	10
202-12	3127930001	Adjusting Knob	1	26	52.8x31.6x28.6	1	Y	10
202-14	5630060002	Prevailing Torque Hexagon Nut	4	2	M5	10	Y	1
202-15	2824427001	Left Cover Set	1	151	129x110x42	1	Y	15
202-16	3660568001	Torsion Spring	1	0.45	7.3x4.4	10	Y	1
202-17	5670191002	Parallel Pin	1	9.1	Ø5x60	1	Y	1
202-18	3126790002	Control Handle	1	27.5	76.2x40x32	1	Y	10
202-19	3126761001	Clamp Block	1	1.7	40.2x12.9x6.6	1	Y	10
202-20	3126832001	Rubber Block	1	3.94	37x10x9.2	1	Y	10
202-21	5630268001	Nut	2	16.15	M12X1.25	10	Y	1
202-22	5630013003	Prevailing Torque Hexagon Nut	2	3.5	M6	10	Y	1
202-23	3660565001	Compression Spring	1	3.92	9.6x28	10	Y	1
202-24	5660245001	E Ring	2	0.2	Ø9x1	10	Y	1
202-25	2825244001	Handle Lever Set	1	299.2	130x16x38	1	Y	15
202-26	3128647001	Decorative Cover	1	98	193x125x66.5	1	Y	15
202-27	5660001003	E Ring	1.0	0.1	3	10	Y	1
202-28	5670248001	Pin	1.0	1.7	4x16.5	1	Y	1
202-31	3550048003	Pin	2	2.9	5x18.5	1	Y	1
202-32	3551952001	Sleeve	2	18	M12X1.25X39	1	Y	1
202-34	5610276001	Hexagon Lobular Tapping Screw	1	3.3	5T4.2X30	10	Y	1
202-35	3128687001	Lock Cover	1	1.7	28x14x5	1	Y	5
202-36	3127087001	Switch Lever	1	11	36.5x34.5x28	1	Y	5
202-37	2824717001	Spindle ASSY	1	572.2	407.6x46x130	1	Y	20
202-39	5640168001	Square Neck Bolt	2	7.92	M6x35	10	Y	1
202-41	3128648001	Decorative Cover	1	103.6	193x125x66.5	1	Y	5
202-42	4870500001	Micro Switch	1	7.6	28x16x9.7	1	Y	20
202-43	3660287002	Spring	1	0.55	5x15.3	10	Y	20
202-44	3126768001	Switch Actuator	1	2.11	28x28x12	1	Y	20
202-45	2824426001	Right Cover Set	1	151	129x110x42	1	Y	20
202-46	2824305001	Switch Box Set	1	510	448x183x106	1	Y	15
202-47	5610064005	Thread Forming Screw	4	7.63	5x55	10	Y	1
202-48	3127929001	Button	1	9	52.8x40.7x39.7	1	Y	25
202-49	3127928001	Control Handle	1	51	153x136x93	1	Y	20
202-51	2827492001	Telescope Tube	1	435	37.8x22.2x999	1	Y	35
202-52	4870566001	Push Switch	1	34.7	52.5x36.5x17.9	1	Y	10
202-53	3705393001	Intermedium Tube	1	131	41X25X190	1	Y	15
202-55	3660076005	Spring	1	1.04	12.8x16	10	Y	10
202-401	2823714002	Control Handle Set	2	42.7	77x40x33	1	Y	10
202-402	2827463001	Lock Assembly	1	531	458x105x16	1	Y	20
202-403	2824754003	Switch Assembly	1	300	220x220x55	1	Y	30
203-1	5620157006	Hexagon Socket Screw	6	1.95	M4.2x19	10	Y	1
203-2	3130218001	Support	1	9	60x35.5x20	1	Y	10
203-3	3900208001	Dust Cover	1	54	117.1x89.5x86	1	Y	10
203-4	2826577002	Motor & Gear ASSY	1	298.5	Ø63.5x74.5	1	Y	15
203-5	5620033010	Screw	2	0.87	M3x10	10	Y	1