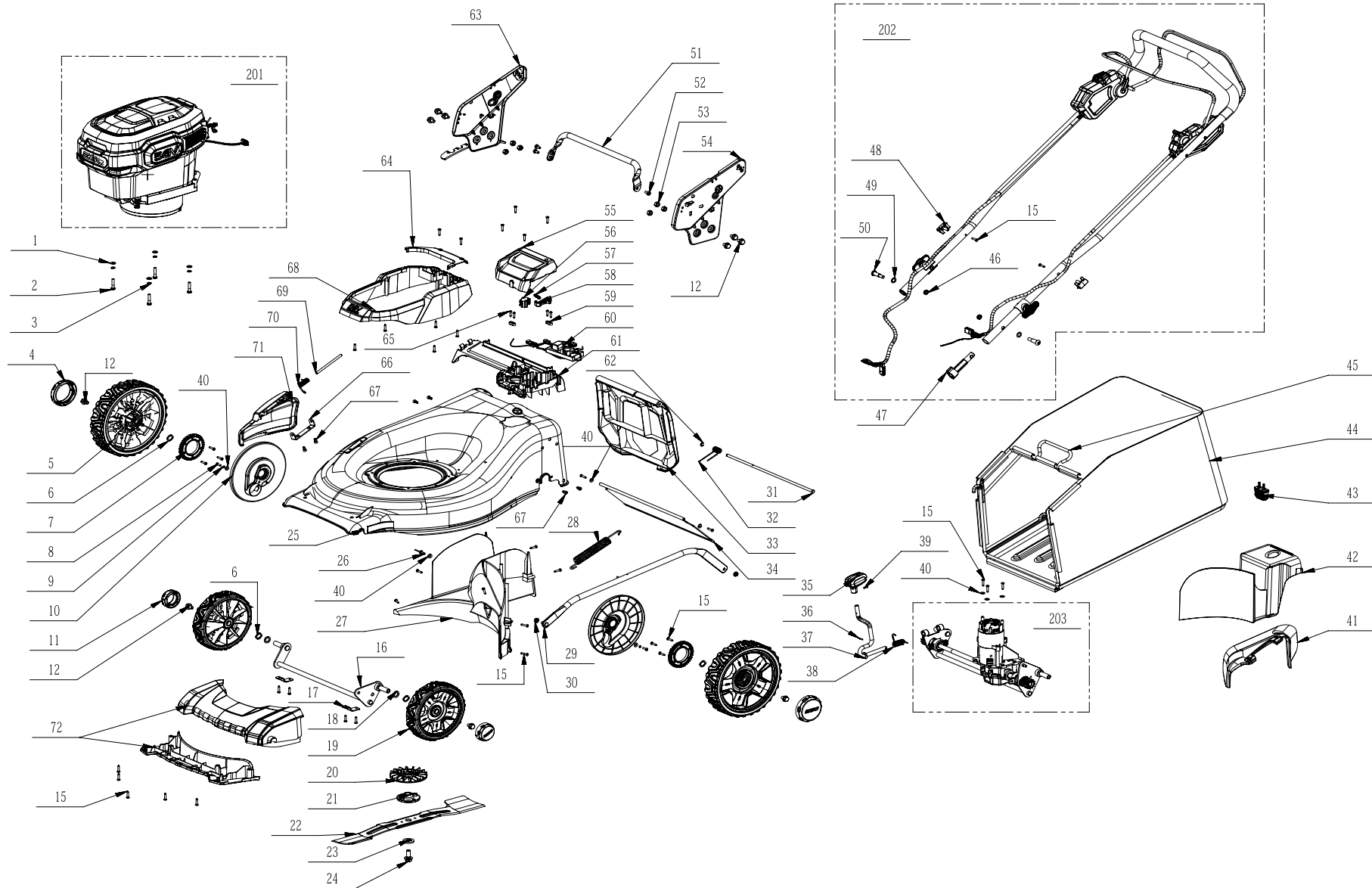


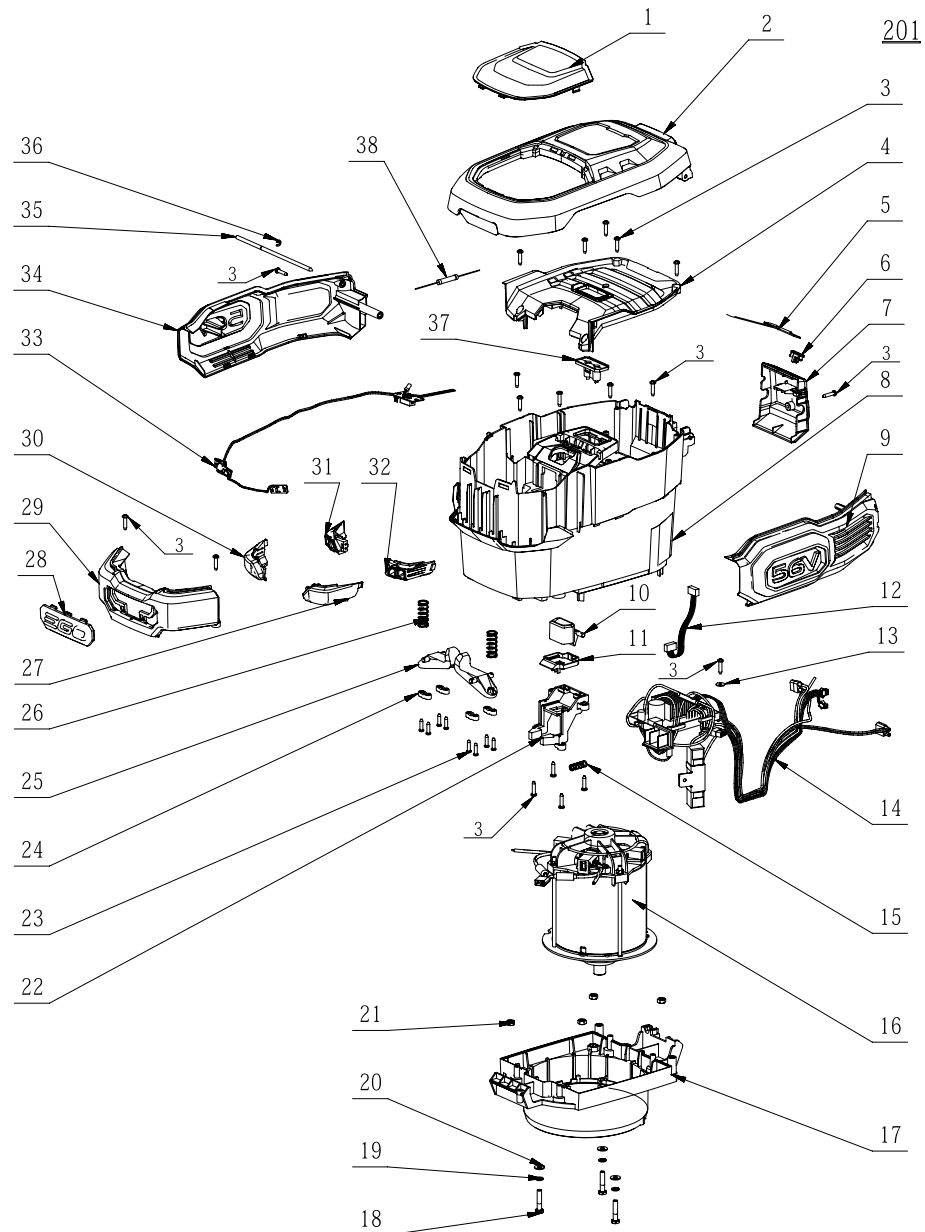


Product Description:Lawn Mower
Model Number:LM2010E-SP
Body Number:100006001_S
Version: A
Issue Date: 2017/04/05





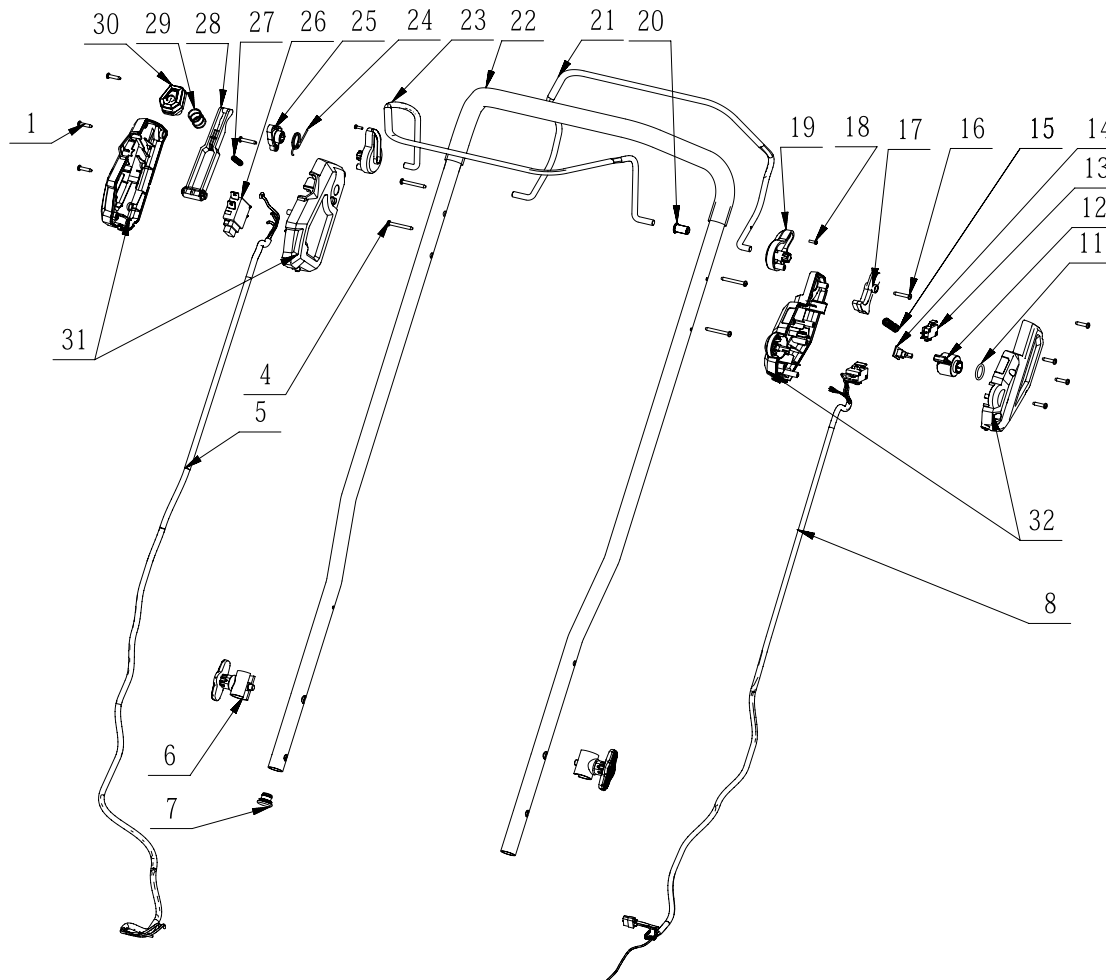
Product Description:Lawn Mower
Model Number:LM2010E-SP
Body Number:100006001_S
Version: A
Issue Date: 2017/04/05





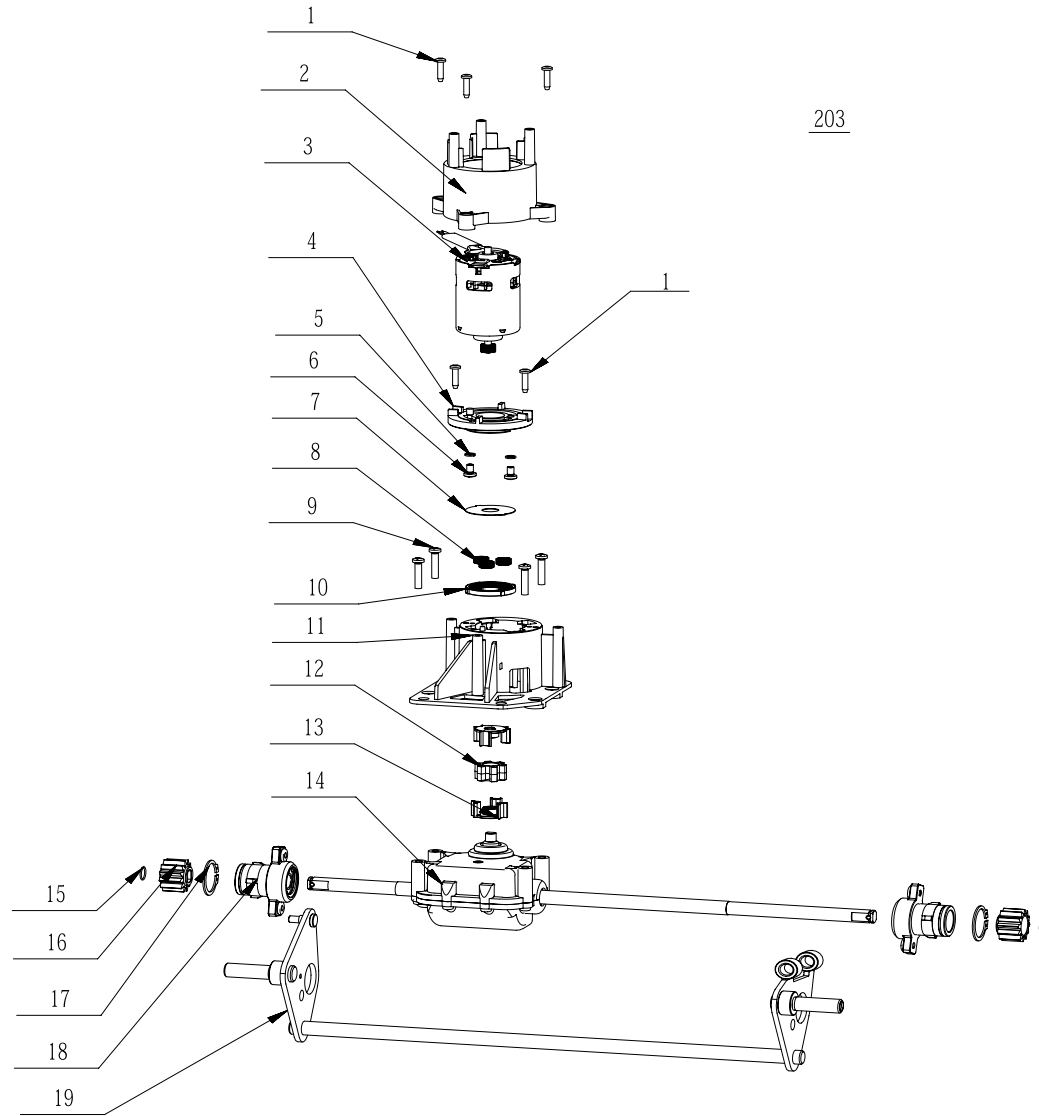
Product Description:Lawn Mower
Model Number:LM2010E-SP
Body Number:1000006001_S
Version: A
Issue Date: 2017/04/05

202





Product Description:Lawn Mower
Model Number:LM2010E-SP
Body Number:1000006001_S
Version: A
Issue Date: 2017/04/05





Repair Parts_Lawn Mower_4903.1 (LM2010E-SP)

Index No.	Art. No.	Description	QTY in machine	Weight (g)	Size LxWxH (mm)	MPQ	Repairable or Not?	Standard Repair Time (min.)
1	3700076001	Plate	4	1.04	13.7x6.2x1.2	1	Y	1
2	5640008003	Hexagon Head Bolt	4	7.46	11.6X10X34	10	Y	1
3	5650168001	Spring Washer	4	1	11X11X3	10	Y	1
4	3126765001	Hubcap	2	23.5	Ø81.7x19.8	1	Y	1
5	2824430001	Wheel Assembly	2	674	Ø232x56	1	Y	2
6	5650453001	Wave Washer	4	0.4	13x20x3	10	Y	1
7	3520933001	Gear	2	120	Ø82x8	1	Y	5
8	5620041006	Screw	2	2.2	7.9X7.9X17	10	Y	1
9	5650007007	Spring Washer	2	0.6	6.5X6.5X2	10	Y	1
10	3127923001	Protecting Cap	2	65	Ø189x27	1	Y	3
11	3126769001	Hubcap	2	13.5	Ø55x21.7	1	Y	1
12	5640010003	Hexagon Flange Bolt	10	12.5	18X18X20	10	Y	1
15	5620157006	Tapping Screw	41	1.91	8X8X22	10	Y	1
16	2824348001	Front Axle Set	1	716.5	485.5x82x78	1	Y	15
17	3705216001	Mounting Plate	2	12.5	49.5x17x17	1	Y	1
18	5650032003	Plain Washer	2	5.5	20X20X2	10	Y	1
19	2824429001	Wheel Assembly	2	393.5	Ø180x49.7	1	Y	2
20	3127847001	Fan	1	42.5	23.5x100x12.8	1	Y	2
21	3520852002	Motor Bushing	1	111.5	16.7x62x16.8	1	Y	2
22	3706023001	Blade	1	616.5	494x14.5x102	1	N	/
23	5650510001	Washer	1	14.5	16.7x30x4	10	Y	2
24	5640226001	Flange Bolt	1	25.5	20X20X34.2	10	Y	2
25	3705890001	Deck	1	8000	750x520x230	1	Y	1
26	5680200001	Rivet	1	1.4	11X11X42	1	Y	1
27	3127956001	Rear Enclosure	1	653.04	445x270x211	1	Y	1
28	3660609001	Tension Spring	1	150.5	Ø23x201.5	1	Y	5
29	2824128001	Connecting Rod ASSY	1	503.5	620x12x108	1	Y	10
30	5630013003	Prevailing Torque Hexagon Nut	2	0.4	14.2X14.2X5.7	10	Y	1
31	5670382001	Shaft	1	100	Ø11x365	1	Y	10
32	3660559001	Torsion Spring	1	15	67.6X15.2X25	1	Y	10
33	3127944001	Rear Cover	1	279.26	336x254.8x46.6	1	Y	10
34	3128114001	Trail Shield	1	200	400x160x2.5	1	Y	5
35	3126410001	Height Adjusting Lever	1	24.02	53x61x37	1	Y	2
36	5670184002	Pin	1	0.5	φ2x10	1	Y	1
37	2824126001	Height Adjusting Bar ASSY	1	171	119x99x16	1	Y	20
38	3660606001	Torsion Spring	1	14.5	φ15.8x35	1	Y	20
39	5620033005	Screw	1	0.88	5.5X5.5X12.3	10	Y	1
40	5650004001	Plain Washer	8	0.74	12X12X1	10	Y	1
41	3127950001	Side Discharge Chute	1	216.07	363x175x155	1	Y	1
42	3127949001	Mulch Plug	1	282.22	234x225x161	1	Y	1
43	5680196001	Key	1	23.6	43.5x52x18	1	Y	1
44	3800110001	Grass Catcher	1	715.5	588x401x413	1	Y	1
45	3650172001	Bag Frame	1	1322.5	588x401x413	1	Y	1
46	5630060004	Hexagon Nut	2	2.72	14.4X12.5X4	1	Y	1
47	3126580001	Switch Lever	1	17.27	96x34x22	1	Y	5
48	3126639001	Wire Holder	2	2.63	30x21x30	1	Y	2
49	3700095002	Washer	2	0.7	16x16x0.5	1	Y	1
50	5640228001	Screw	2	23.5	16.5X16.5X43.7	10	Y	1
51	2824349001	Handle ASSY	1	212	367x85x20	1	Y	10
52	5620369004	Screw	3	6	12X12X16.4	10	Y	1
53	5630271001	Nut	6	4.5	12.8X14.8X8.5	10	Y	1
54	2824125001	Right Support ASSY	1	603	250x240x20	1	Y	1
55	3126337001	Motor Top Cover	1	88.54	116x125x95	1	Y	2
56	4870541002	Push Switch	1	34.7	52.5x36.5x17.9	1	Y	10
57	3660076001	Spring	1	0.8	Ø7.4x25	10	Y	5
58	3126641001	Rotating Block	1	4.52	47x33x22	1	Y	5
59	3122798001	Cord Anchorage	2	0.9071848	23.2x8.1x7	1	Y	5
60	2830076002	Electric Assembly	1	85	100x41x33	1	Y	15
61	3127954001	Rear Cover	1	212.21	362x147x68	1	Y	1
62	5660139002	E Ring	1	0.4	12X10.6X1	10	Y	1
63	2824134001	Left Support ASSY	1	721	267x250x43.6	1	Y	1
64	3127947001	Service Cover	1	23.6	180x102x29	1	Y	2
65	5610032004	Tapping Screw	4	1.33	6.5X6.5X18.4	10	Y	1
66	3705862001	Bevel Support	1	33.5	84x15x25	1	Y	10
67	5620213003	Hexagon Socket Screw	6	3.4	8.5X8.5X15	10	Y	1
68	3127951001	Housing Cover	1	209.88	234x384x86	1	Y	10
69	5670384001	Pin	1	23.5	Ø6x120	1	Y	10
70	3660607001	Torsion Spring	1	18.5	Ø12.5x35	1	Y	10
71	3127965001	Guard	1	96.5	216x151x85	1	Y	10
72	2824527001	Top Cover ASSY	1	415	382x146x86	1	Y	10
201	2824248003	Power Unit	1	8580	372x176x110	1	Y	10
202	2824262001	Handle Assy	1	2000	1000x800x30	1	Y	1
203	2824283001	Self-Propelled Unit	1	2800	519.5x120x214	1	Y	1
201-1	3127900001	Transparent Guard	1	50	126x157x35	1	Y	3
201-2	3127880001	Battery Cover	1	248	327x208x58	1	Y	10
201-3	5610042014	Tapping Screw	19	1.95	8X8X21	10	Y	1
201-4	3127879001	Inner Cover	1	98	126x150x51	1	Y	2
201-5	4870558001	Film Switch	1	1.7	118.4x73.6x3	1	Y	5
201-6	3127891001	Power Indicator Cover	1	2	30.3x9.7x15	1	Y	5
201-7	3127890001	Cover	1	31	97x86x37	1	Y	5
201-8	3127881001	Battery Box	1	725	403x222x222	1	Y	30
201-9	3127899001	Decorative Cover	1	110	336x138x116	1	Y	10
201-10	3126760001	Release Button	1	14.4	46x33.3x37	1	Y	15
201-11	3126772001	Sliding Block	1	8.13	48.9x44x17.5	1	Y	15
201-12	4930490001	Wiring Harness	1	8.14	60x10x12	1	Y	10
201-13	5650004001	Plain Washer	1	0.74	12X12X1	10	Y	1
201-14	2830075003	Electric Assembly	1	322	230x170x100	1	Y	35
201-15	3660303002	Spring	1	0.5	9x25	10	Y	15
201-16	2730238001	DC Motor	1	6019	127x146.5x215.5	1	Y	20
201-17	3127886001	Bottom Support	1	445	284x175x84	1	Y	20
201-18	5640008003	Hexagon Head Bolt	3	7.46	11.6X10X34	10	Y	1
201-19	5650168001	Spring Washer	3	1	11X11X3	10	Y	1
201-20	3700076001	Plate	3	1.04	13.7x6.2x1.2	1	Y	1
201-21	5630015001	Prevailing Torque Hexagon Nut	4	2.7215544	12X12X6	10	Y	1
201-22	3126782001	Fixed Unit	1	27.8	79.3x71x68	1	Y	15
201-23	5610032004	Tapping Screw	8	1.33	6.5X6.5X18.4	10	Y	1
201-24	3122798001	Cord Anchorage	4	0.9071848	23.2x8.1x7	1	Y	10
201-25	3126773001	Lever	2	16.782919	79.9x38.8x29	1	Y	10

Index No.	Art. No.	Description	QTY in machine	Weight (g)	Size LxWxH (mm)	MPQ	Repairable or Not?	Standard Repair Time (min.)
201-26	3660306002	Spring	2	3.6287392	14X14X38	10	Y	10
201-27	3127982001	Transparent Cap	1	4.5	59x61x33	1	Y	15
201-28	3321927001	EGO Logo	1	10.5	39x114x14	1	Y	15
201-29	3127889002	Front Cover	1	55	67x78x206	1	Y	15
201-30	3127981001	Transparent Cap	1	4.5	59x61x33	1	Y	15
201-31	3127983001	Reflector	1	6	52x45x26	1	Y	15
201-32	3127984001	Reflector	1	6	52x45x26	1	Y	15
201-33	2823604003	PCB Assembly	1	13	80x140x20	1	Y	20
201-34	3127898001	Decorative Cover	1	110	336x138x116	1	Y	20
201-35	5670380001	Pin	1	27	5x163.5	1	Y	10
201-36	5660003003	E Ring	1	0.23	8X9X0.8	10	Y	1
201-37	5680195001	Key Holder	1	23	51x25x27	1	Y	5
201-38	4970313001	fuse	1	4	7X7X112	1	Y	5
202-1	5620157006	Tapping Screw	7	1.9050881	8X8X22	10	Y	1
202-4	5610047006	Tapping Screw	4	3.4	4.2x38	10	Y	1
202-5	4860311001	Internal Wire ASSY	1	120	360X240X50	1	Y	15
202-6	2824261001	Adjusting Handle Set	2	54	40x40x55.4	1	Y	2
202-7	3128161001	End Cap	1	3	φ22x17	1	Y	2
202-8	4860312001	Internal Wire ASSY	1	93.9	360X240X50	1	Y	15
202-11	3123112001	O Ring	1	0.6	18x2.8	10	Y	10
202-12	3127930001	Adjusting Knob	1	26	52.8x31.6x28.6	1	Y	10
202-13	4870563001	Push Switch	1	8	28x10.3x16	1	Y	10
202-14	4890439003	PCB Assembly	1	6.15	20x15x26	1	Y	10
202-15	3660562001	Compression Spring	1	1.3	10.9X10.9X38	10	Y	5
202-16	5610044002	Tapping Screw	2	1.47	8X8X27	10	Y	1
202-17	3126578001	Switch Lever	1	8.5	64x35x13.5	1	Y	5
202-18	5620033010	Screw	2	0.87	5.5X5.5X12.3	10	Y	1
202-19	3128061001	Button	2	19.5	67.7x44x33	1	Y	5
202-20	3128065001	Bush	1	2	8.1x10.8x20.8	1	Y	5
202-21	3650170001	Control Handle	1	299.5	380x120x174	1	Y	2
202-22	2824206001	Handle ASSY	1	2224.5	1052x172x450	1	Y	10
202-23	3650169001	Control Handle	1	282.5	418x111x156	1	Y	2
202-24	3660608001	Torsion Spring	1	6.5	φ24x8	10	Y	5
202-25	3128063001	Switch Lever	1	7.62	φ35x26.5	1	Y	5
202-26	4870566001	Push Switch	1	34.7	52.5x36.5x17.9	1	Y	10
202-27	3660399001	Spring	1	0.2	7.2X7.2X29	10	Y	5
202-28	3127948001	Connecting Rod	1	17.24	145x38x16	1	Y	5
202-29	3660497001	Compression Spring	1	1	18.9X18.9X25	10	Y	5
202-30	3128062001	Push Button	1	8.5	43x34.4x37.2	1	Y	5
202-31	2824523001	Switch Box Set	1	121.59	170x110x50	1	Y	5
202-32	2824530001	Switch Box	1	127	172.5x100x46.3	1	Y	5
203-1	5620157006	Tapping Screw	5	1.905	8X8X22	10	Y	1
203-2	3126437001	Motor Support	1	53	φ92x85.6	1	Y	15
203-3	2824424001	Motor & Gear ASSY	1	465.2	φ48.2x100	1	Y	15
203-4	3421676001	Al Cover	1	45.4	φ62.5x13.7	1	Y	15
203-5	5650015012	Spring Washer	2	1	7.9X7.9X2	10	Y	1
203-6	5620220001	Screw	2	2.67	9.4X9.4X11.6	10	Y	1
203-7	3703931002	Gasket	1	3.76	40.4x37.6x0.5	10	Y	20
203-8	3520868001	Planet Gear	3	2.16	11.2x11.2x5.5	1	Y	20
203-9	5610060004	Tapping Screw	4	1.5	8X8X27	10	Y	1
203-10	3520519001	Ring Gear	1	13.35	40.4x40.4x5	1	Y	20
203-11	2824425001	Shaft ASSY	1	204	113x64x99	1	Y	20
203-12	3126674001	Connector	1	4	φ24x14	1	Y	20
203-13	3520672001	Shaft Connector	2	14.7	φ29x13.2	1	Y	20
203-14	2824148001	Transmission ASSY	1	780.5	90.5x84.6x446	1	Y	1
203-15	5660035001	Circlips For Shaft	2	20	50x50x20	10	Y	10
203-16	3520870001	Pinion	2	200	40x40x60	1	Y	15
203-17	5660152002	Circlips For Shaft	2	2.68	35.5X32.5X1.2	10	Y	1
203-18	2824529001	Bearing Support ASSY	2	71.5	64x33x41	1	Y	20
203-19	2824347001	Rear Axle Set	1	1200	450x80x100	1	Y	20