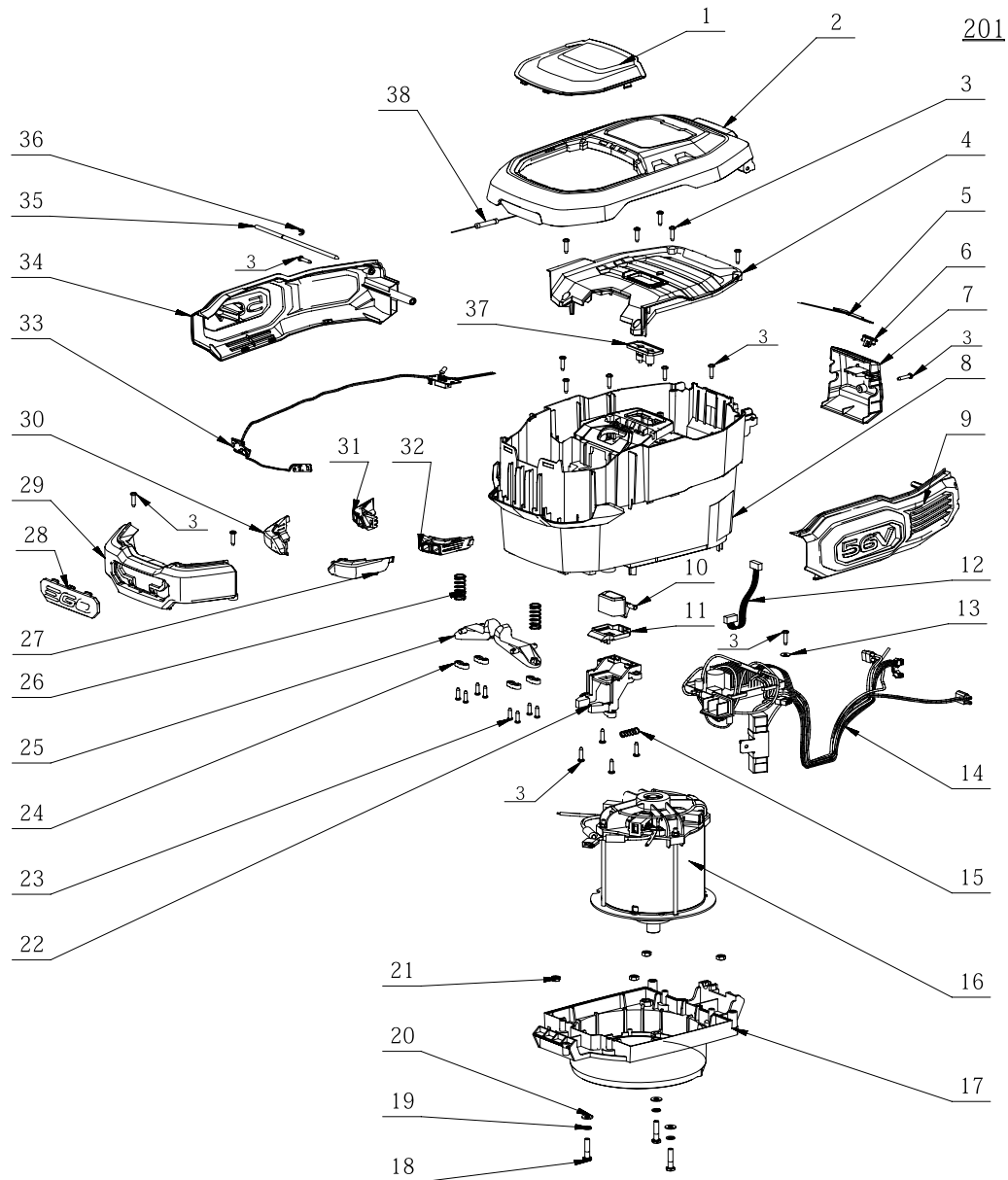
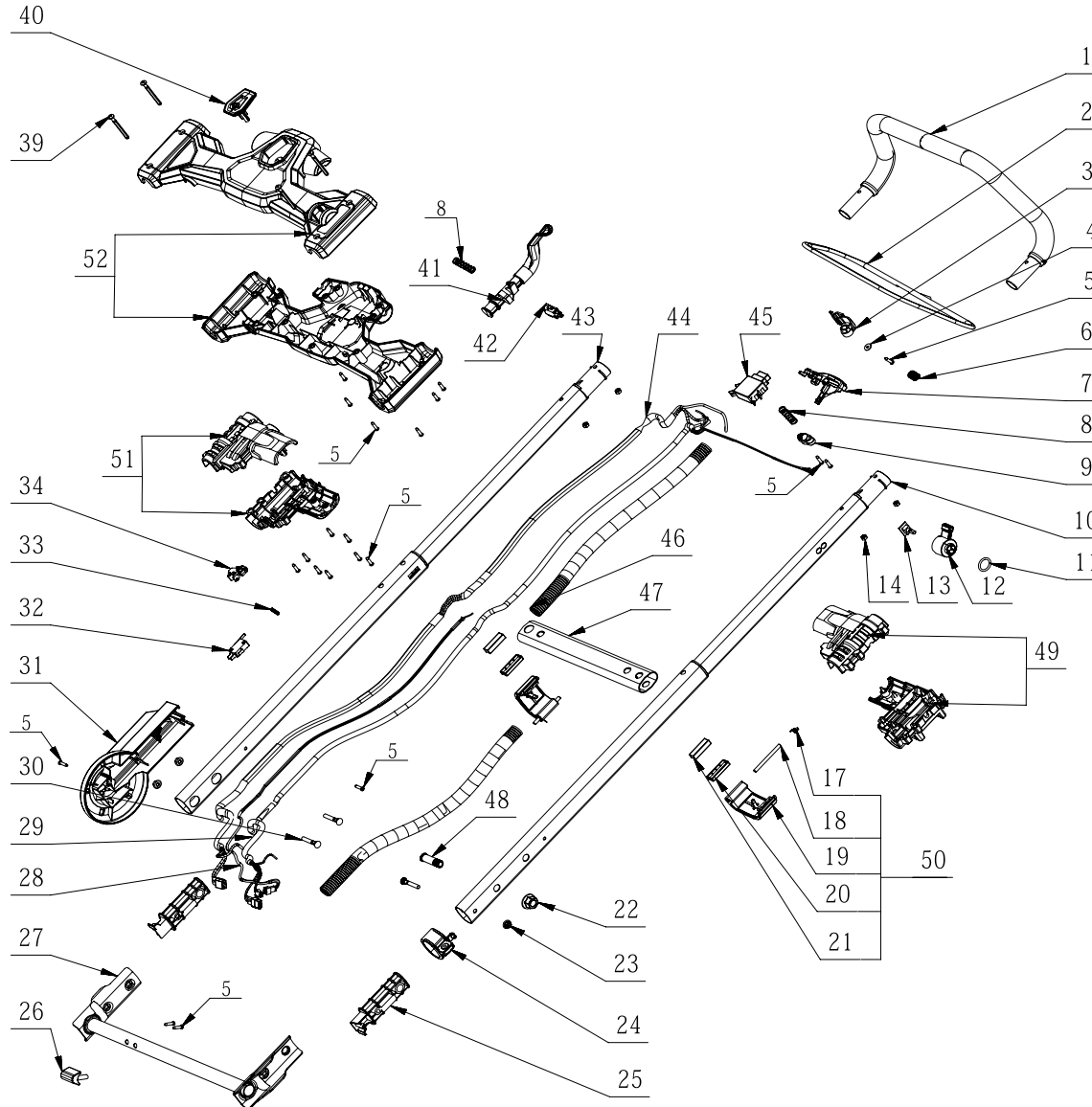




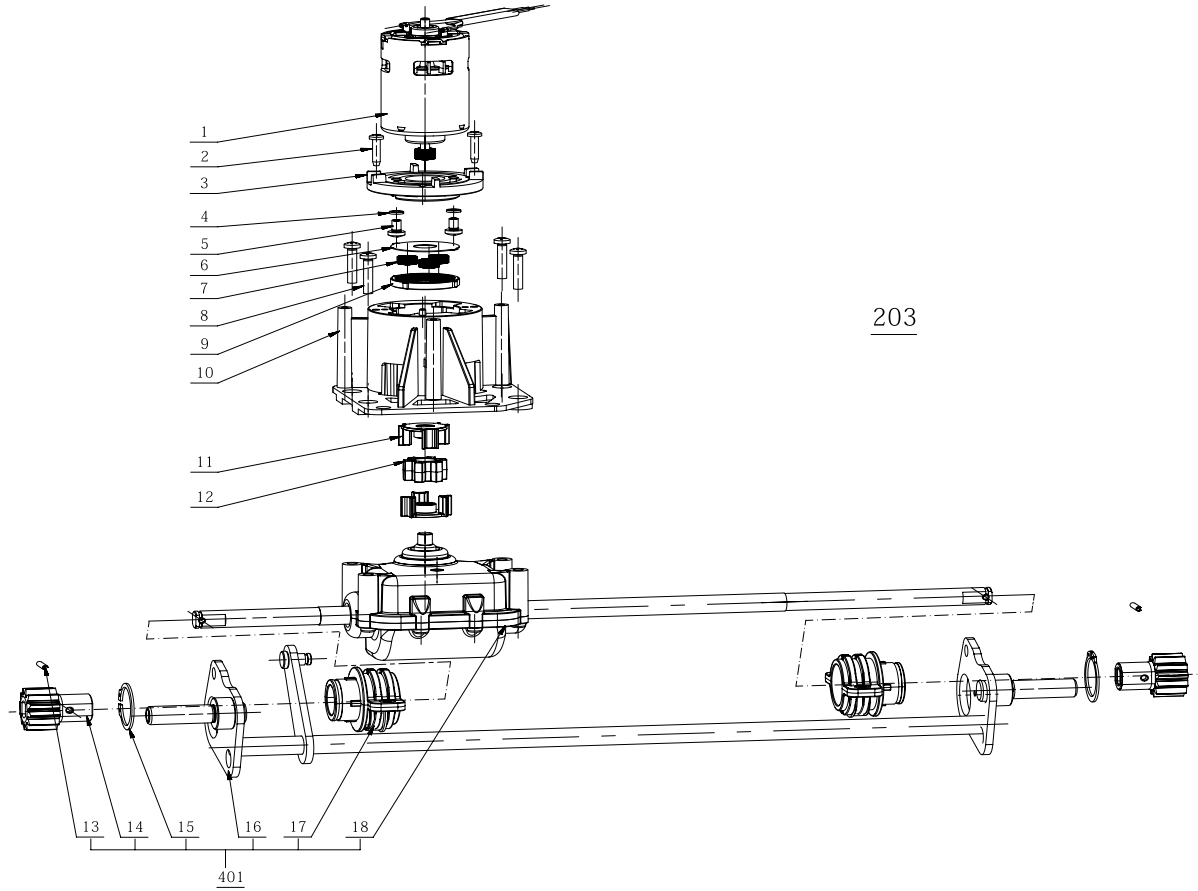
Product Description:Lawn Mower
Model Number:LM2100E-SP
Body Number:1000005002_S
Version: A
Issue Date: 2017/04/30







Product Description:Lawn Mower
Model Number:LM2100E-SP
Body Number:1000005002_S
Version: A
Issue Date: 2017/04/30





Repair Parts_Lawn Mower_4902.1 (LM2100E-SP)

Index No.	Art. No.	Description	QTY in machine	Weight (g)	Size LxWxH (mm)	MPQ	Repairable or Not?	Standard Repair Time (min.)
1	3800074001	Grass Catcher	1	858	590x422.5x353	1	Y	1
2	3705442002	Bag Frame	1	1150	600x370x360	1	Y	1
3	3127911001	Side Discharge Chute	1	285	246.8x236.7x205.5	1	Y	1
4	3127924001	Mulch Plug	1	305	245x230x240	1	Y	1
5	5610042014	Tapping Screw	63	1.95	8X8X21	10	Y	1
6	5650004001	Plain Washer	8	0.74	12X12X1	10	Y	1
7	3126391001	Trail Shield	1	205.5	420x157x2	1	Y	5
8	3126769001	Hubcap	2	13.5	Ø55x21.7	1	Y	1
9	5640010003	Hexagon Flange Bolt	4	12.5	18X18X20	10	Y	1
10	2824429001	Wheel Assembly	2	393.5	Ø180x49.7	1	Y	2
11	5650453001	Wave Washer	4	0.4	13x20x3	10	Y	1
12	2823295001	Handle Lever Set	1	61	43x28x113.5	1	Y	20
13	3660558001	Tension Spring	1	5.43	13.6X11.6x39	1	Y	20
14	2823322001	Shaft ASSY	1	152	129x27x59	1	Y	25
15	5650025004	Plain Washer	4	1.5	16X16X1.6	10	Y	1
16	5660139002	E Ring	4	0.4	12X10.6X1	10	Y	1
17	3705398001	Mounting Plate	3	20	49x16x3	1	Y	20
18	5620065004	Screw	2	0.736	5.4X5.4X12	10	Y	1
19	3321478001	Height Adjusting Lever	1	50	76x36.2x60.7	1	Y	1
20	3705142001	Connecting Rod	1	163	290x82.5x4	1	Y	20
21	5610044002	Tapping Screw	8	1.47	8X8X27	10	Y	1
22	2823296001	Connecting Rod Set	1	258	430x100x4	1	Y	20
23	3127925001	Rear Enclosure	1	265	248x140x90	1	Y	10
24	5640226001	Flange Bolt	1	25.5	20X20X34.2	10	Y	2
25	5650510001	Washer	1	14.5	16.7x30x4	10	Y	2
26	3706059001	Blade	1	644	515x76.2x3	1	N	/
27	3520852002	Motor Bushing	1	111.5	16.7x62x16.8	1	Y	2
28	3127847001	Fan	1	42.5	23.5x100x12.8	1	Y	2
29	3705216001	Mounting Plate	2	12.5	49.5x17x17	1	Y	1
30	2824194001	Front Axle Set	1	597	515x75.6x54.5	1	Y	20
31	3127932001	Deck	1	4270	860x560x280	1	Y	1
32	3127923001	Protecting Cap	2	65	Ø189x27	1	Y	3
33	5650007001	Spring Washer	2	0.35	6.5X6.5X1	10	Y	1
34	5620041006	Screw	2	2.2	7.9X7.9X17	10	Y	1
35	3520933001	Gear	2	120	Ø82x8	1	Y	5
36	2824430001	Wheel Assembly	2	674	Ø232x56	1	Y	2
37	3126765001	Hubcap	2	23.5	Ø81.7x19.8	1	Y	1
38	3127975001	Housing Cover	1	933	725x555x160	1	Y	20
39	3127974001	Decorative Cover	1	37	141x116x64	1	Y	20
40	3127939001	Right Cover	1	65	490x116x24	1	Y	20
41	5640008003	Hexagon Head Bolt	4	7.46	11.6X10X34	10	Y	1
42	5650168002	Spring Washer	4	0.48	10.7X10.7X1.4	10	Y	1
43	3700076001	Plate	4	1.04	13.7x6.2x1.2	1	Y	1
44	3127892001	Service Cover	1	58	181x132x112	1	Y	10
45	3127976001	Auxiliary Handle	1	119.8	315x56x44	1	Y	5
46	3127926001	Service Cover	1	530	337x406x175	1	Y	5
47	3705896001	Depth Stop Plate	1	89.5	162x43x4	1	Y	1
48	3128083001	Rubber Pad	1	9	162x42x1	1	Y	1
49	3127940001	Left Cover	1	74	500x100x24	1	Y	20
50	2830076003	Electric Assembly	1	85	100x41x33	1	Y	15
51	3700353001	Washer	2	1.5	15x15x1	1	Y	1
52	3706018001	Spongy Cushion	1	5.4	400x30x10	1	Y	5
53	3705440001	Clamp	1	44.9	54x42x3	1	Y	5
54	5610047003	Tapping Screw	3	3.4	8X8X40	10	Y	1
55	3705397001	Clamp	1	14.3	24.5x32x3	1	Y	20
56	3660557001	Tension Spring	1	109.4	162.1X53.4X20.8	1	Y	20
57	3127738001	Rubber Gasket	2	4.54	21x16.5x13.6	1	Y	5
58	2824383001	Fixed Set	1	573	190x126x107	1	Y	20
59	3660559001	Torsion Spring	1	15	67.6X15.2X25	1	Y	10
60	5670345001	Shaft	1	104.8	Ø7x345	1	Y	10
61	4870566002	Push Switch	1	34.7	52.5x36.5x17.9	1	Y	10
62	3126689003	Rear Cover	1	390	338x299x68	1	Y	10
63	5610032004	Tapping Screw	2	1.33	6.5X6.5X18.4	10	Y	1
64	3126912001	Decorate Cover	1	111	229x125x60	1	Y	5
65	5660003003	E Ring	1	0.23	8X9X0.8	10	Y	1
66	3550048003	Pin	1	2.9	5x18.5	1	Y	1
67	3660565001	Compression Spring	1	3.92	9.6x28	10	Y	1
68	2824250001	Handle Lever Set	1	113	248x20x76	1	Y	5
69	5680196001	Key	2	23.6	43.5x52x18	1	Y	1
201	2824248002	Power Unit	1	8580	350x263.5x347	1	Y	10
202	2824304001	Handle Assy	1	3932	90x48x23.7	1	Y	20
203	2824280002	Self-Propelled Unit	1	2800	519.5x120x214	1	Y	10
201-1	3127900001	Transparent Guard	1	50	126x157x35	1	Y	3
201-2	3127880001	Battery Cover	1	248	327x208x58	1	Y	10
201-3	5610042014	Tapping Screw	19	1.95	8X8X21	10	Y	1
201-4	3127879001	Inner Cover	1	98	126x150x51	1	Y	2
201-5	4870558001	Film Switch	1	1.7	118.4x73.6x3	1	Y	5
201-6	3127891001	Power Indicator Cover	1	2	30.3x9.7x15	1	Y	5
201-7	3127890001	Cover	1	31	97x86x37	1	Y	5
201-8	3127881001	Battery Box	1	725	403x222x222	1	Y	30
201-9	3127899001	Decorative Cover	1	110	336x138x116	1	Y	10
201-10	3126760001	Release Button	1	14.4	46x33.3x37	1	Y	15
201-11	3126772001	Sliding Block	1	8.13	48.9x44x17.5	1	Y	15
201-12	4930490001	Wiring Harness	1	8.14	60x10x12	1	Y	10
201-13	5650004001	Plain Washer	1	0.74	12X12X1	10	Y	1
201-14	2830075002	Electric Assembly	1	322	230x170x100	1	Y	35
201-15	3660303002	Spring	1	0.5	9x25	10	Y	15
201-16	2730238001	DC Motor	1	6019	127x146.5x215.5	1	Y	20
201-17	3127886001	Bottom Support	1	445	284x175x84	1	Y	20
201-18	5640008003	Hexagon Head Bolt	3	7.46	11.6X10X34	10	Y	1
201-19	5650168002	Spring Washer	3	0.48	10.7X10.7X1.4	10	Y	1
201-20	3700076001	Plate	3	1.04	13.7x6.2x1.2	1	Y	1
201-21	5630015001	Prevailing Torque Hexagon Nut	4	2.7215544	12X12X6	1	Y	1
201-22	3126782001	Fixed Unit	1	27.8	79.3x71x68	1	Y	15
201-23	5610032004	Tapping Screw	8	1.33	6.5X6.5X18.4	10	Y	1
201-24	3122798001	Cord Anchorage	4	0.9071848	23.2x8.1x7	1	Y	10
201-25	3126773001	Lever	2	16.782919	79.9x38.8x29	1	Y	10
201-26	3660306002	Spring	2	3.6287392	14X14X38	10	Y	10
201-27	3127982001	Transparent Cap	1	4.5	59x61x33	1	Y	15
201-28	3321927001	EGO Logo	1	10.5	39x114x14	1	Y	15
201-29	3127889002	Front Cover	1	55	67x78x206	1	Y	15
201-30	3127981001	Transparent Cap	1	4.5	59x61x33	1	Y	15
201-31	3127983001	Reflector	1	6	52x45x26	1	Y	15
201-32	3127984001	Reflector	1	6	52x45x26	1	Y	15
201-33	2823604003	PCB Assembly	1	13	80x140x20	1	Y	20

Index No.	Art. No.	Description	QTY in machine	Weight (g)	Size LxWxH (mm)	MPQ	Repairable or Not?	Standard Repair Time (min.)
201-34	3127898001	Decorative Cover	1	110	336x138x116	1	Y	10
201-35	5670380001	Pin	1	27	5x163.5	1	Y	10
201-36	5660003003	F Ring	1	0.23	8X9X0.8	10	Y	1
201-37	5680195001	Key Holder	1	23	51x25x27	1	Y	1
201-38	4970313001	fuse	1	4	7X7X112	1	Y	5
202-1	2823782001	Sheath ASSY	1	465	442x123x188	1	Y	20
202-2	2824118001	Control Handle ASSY	1	340	356x179.7x8	1	Y	25
202-3	3127905001	Switch Actuator	1	5.5	46.7x29.4x30.9	1	Y	25
202-4	5650004001	Plain Washer	1	0.74	12X12X1	10	Y	1
202-5	5610032004	Tapping Screw	31	1.33	6.5X6.5X18.4	10	Y	1
202-6	3660011002	Spring	1	1.04	12.8X12.8X16	10	Y	1
202-7	3127908001	Switch Lever	1	16.6	81x32.5x27.7	1	Y	25
202-8	3660562001	Compression Spring	2	1.3	10.9X10.9X38	10	Y	25
202-9	3126763001	Clamp	1	2.92	34x17x11.7	1	Y	25
202-10	2824292001	Telescope Tube	1	435	37.8x22.2x999	1	Y	35
202-11	3123112001	O Ring	1	0.6	18x2.8	10	Y	10
202-12	3127930001	Adjusting Knob	1	26	52.8x31.6x28.6	1	Y	10
202-13	4890439003	PCB Assembly	1	6.15	20x15x26	1	Y	10
202-14	5630006002	Prevailing Torque Hexagon Nut	4	0.94	9.3X8X4.8	10	Y	1
202-17	3660568001	Torsion Spring	2	0.45	7.3x4.4	10	Y	1
202-18	5670191002	Parallel Pin	2	9.1	Ø5x60	1	Y	1
202-19	3126790002	Control Handle	2	27.5	76.2x40x32	1	Y	10
202-20	3126761001	Clamp Block	2	1.7	40.2x12.9x6.6	1	Y	10
202-21	3126832001	Rubber Block	2	3.94	37x10x9.2	1	Y	10
202-22	5630268001	Nut	1	16.15	26X26X12	10	Y	1
202-23	5630013001	Prevailing Torque Hexagon Nut	3	3.5	14.2X14.2X5.7	10	Y	1
202-24	3126775001	Fixing Block	1	23	49x36x41	1	Y	1
202-25	3126788001	Tie-in	2	35.3	41x25x110.6	1	Y	1
202-26	3126783001	Switch Level	1	5.5	28x23.2x31.6	1	Y	5
202-27	2823431002	Spindle ASSY	1	540	407.6x46x130	1	Y	25
202-28	4860305001	Wiring Harness	1	16.6	250x60x20	1	Y	45
202-29	4860308001	Internal Wire ASSY	1	130.5	360X240X70	1	Y	45
202-30	5640168001	Square Neck Bolt	3	7.92	12X12X38.7	10	Y	1
202-31	3126912001	Decorate Cover	1	111	229x125x60	1	Y	5
202-32	4870500001	Micro Switch	1	7.6	28x16x9.7	1	Y	20
202-33	3660287002	Spring	1	0.55	5X5x15.3	10	Y	20
202-34	3126768001	Switch Actuator	1	2.11	28x28x12	1	Y	20
202-39	5610064005	Thread Forming Screw	4	7.63	9.4X9.4X58.6	10	Y	1
202-40	3127929001	Button	1	9	52.8x40.7x39.7	1	Y	25
202-41	3127928001	Control Handle	1	51	153x136x93	1	Y	25
202-42	4870563001	Push Switch	1	8	28x10.3x16	1	Y	25
202-43	2824295001	Telescope Tube	1	435	37.8x22.2x999	1	Y	35
202-44	4860306001	Wiring Harness	1	161	360X240X70	1	Y	45
202-45	4870566001	Push Switch	1	34.7	52.5x36.5x17.9	1	Y	10
202-46	3128120001	Bellows Seal	2	30	16x20x420	1	Y	45
202-47	3705393001	Intermedium Tube	1	131	41X25X190	1	Y	15
202-48	3551952001	Sleeve	1	18	13X14.5X41.5	1	Y	1
202-49	2824427001	Left Cover Set	1	151	129x110x42	1	Y	15
202-50	2823714002	Control Handle Set	2	42.7	76.3X60X33	1	Y	10
202-51	2824426001	Right Cover Set	1	151	129x110x42	1	Y	20
202-52	2824305001	Switch Box Set	1	510	448x183x63.9	1	Y	25
203-1	2824424001	Motor & Gear ASSY	1	465.2	Ø48.2x100	1	Y	15
203-2	5610042014	Tapping Screw	2	1.95	8X8X21	10	Y	1
203-3	3421676001	Al Cover	1	45.4	Ø62.5x13.7	1	Y	15
203-4	5650015012	Spring Washer	2	1	7.9X7.9X2	10	Y	1
203-5	5620220001	Screw	2	2.67	9.4X9.4X11.6	10	Y	1
203-6	3703931002	Gasket	1	3.76	40.4x37.6x0.5	10	Y	20
203-7	3520868001	Planet Gear	3	2.16	11.2x11.2x5.5	1	Y	20
203-8	5610060004	Tapping Screw	4	1.5	8X8X27	10	Y	1
203-9	3520519001	Ring Gear	1	13.35	40.4x40.4x5	1	Y	20
203-10	2824425001	Shaft ASSY	1	204	113x64x99	1	Y	20
203-11	3520672001	Shaft Connector	2	14.7	Ø29x13.2	1	Y	20
203-12	3126674001	Connector	1	4	Ø24x14	1	Y	20
203-13	5670003003	Spring Pin	2	1	3x16	1	Y	1
203-14	3520865001	Pinion	2	68.4	Ø29.8x17	1	Y	1
203-15	5660152002	Circlips For Shaft	2	2.68	35.5X32.5X1.2	10	Y	1
203-16	2824193001	Rear Axle Set	1	843	86x64x520	1	Y	20
203-17	2824423001	Bearing Support ASSY	2	70.5	67x45x35.6	1	Y	1
203-18	2824148001	Transmission ASSY	1	780.5	90.5x84.6x446	1	Y	1
203-19	2824476002	Rear Axle Set	1	843	86x64x520	1	Y	1