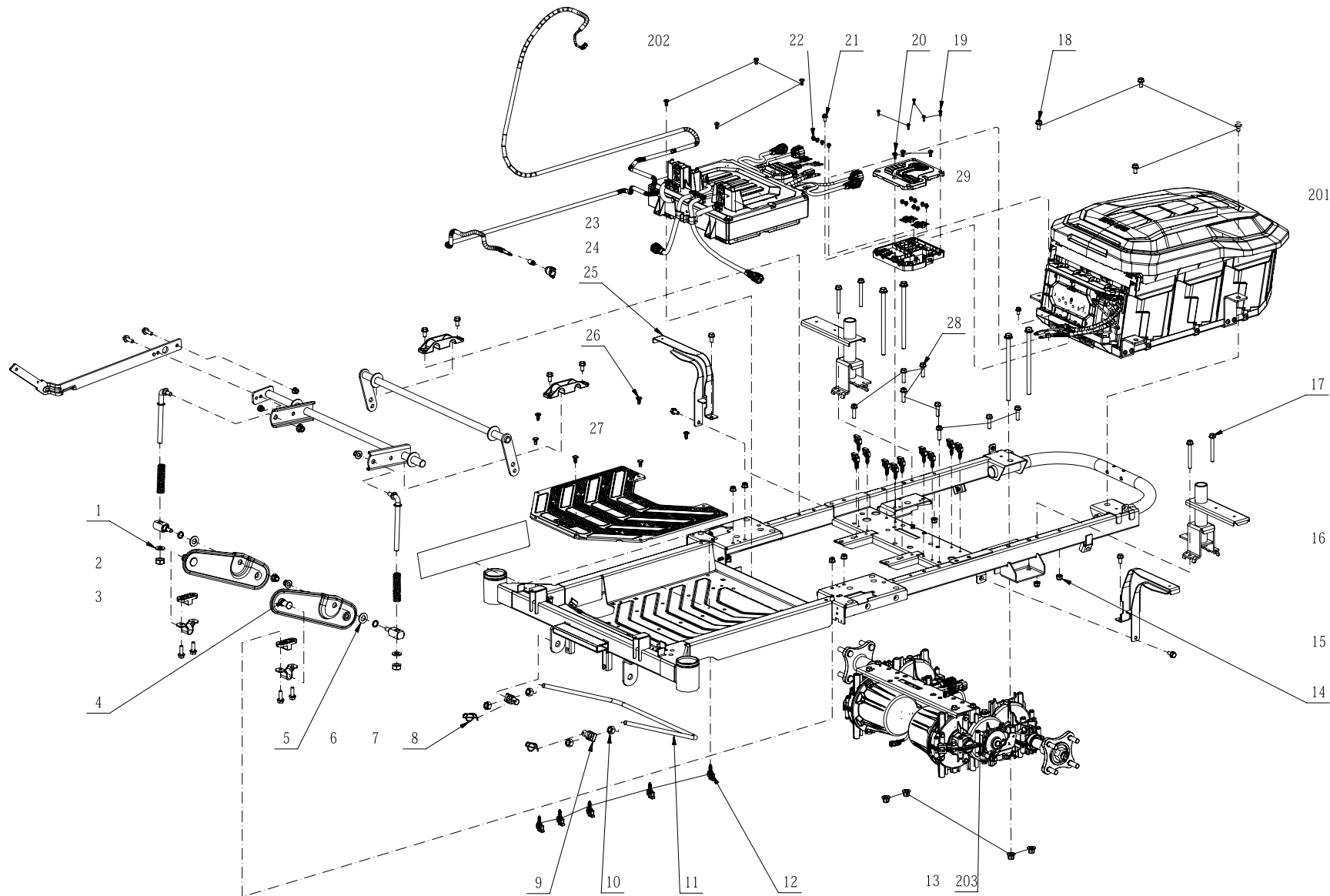


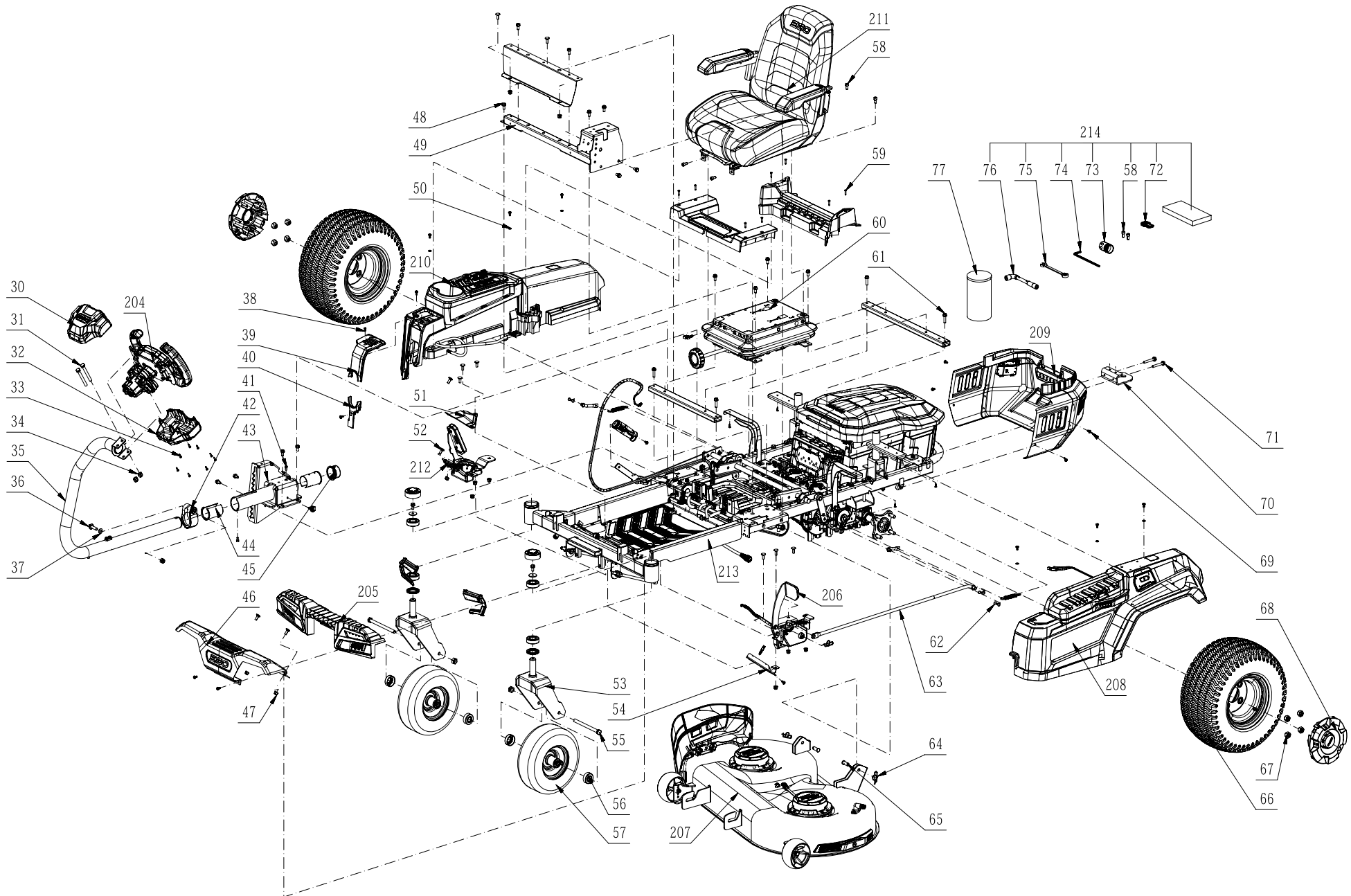


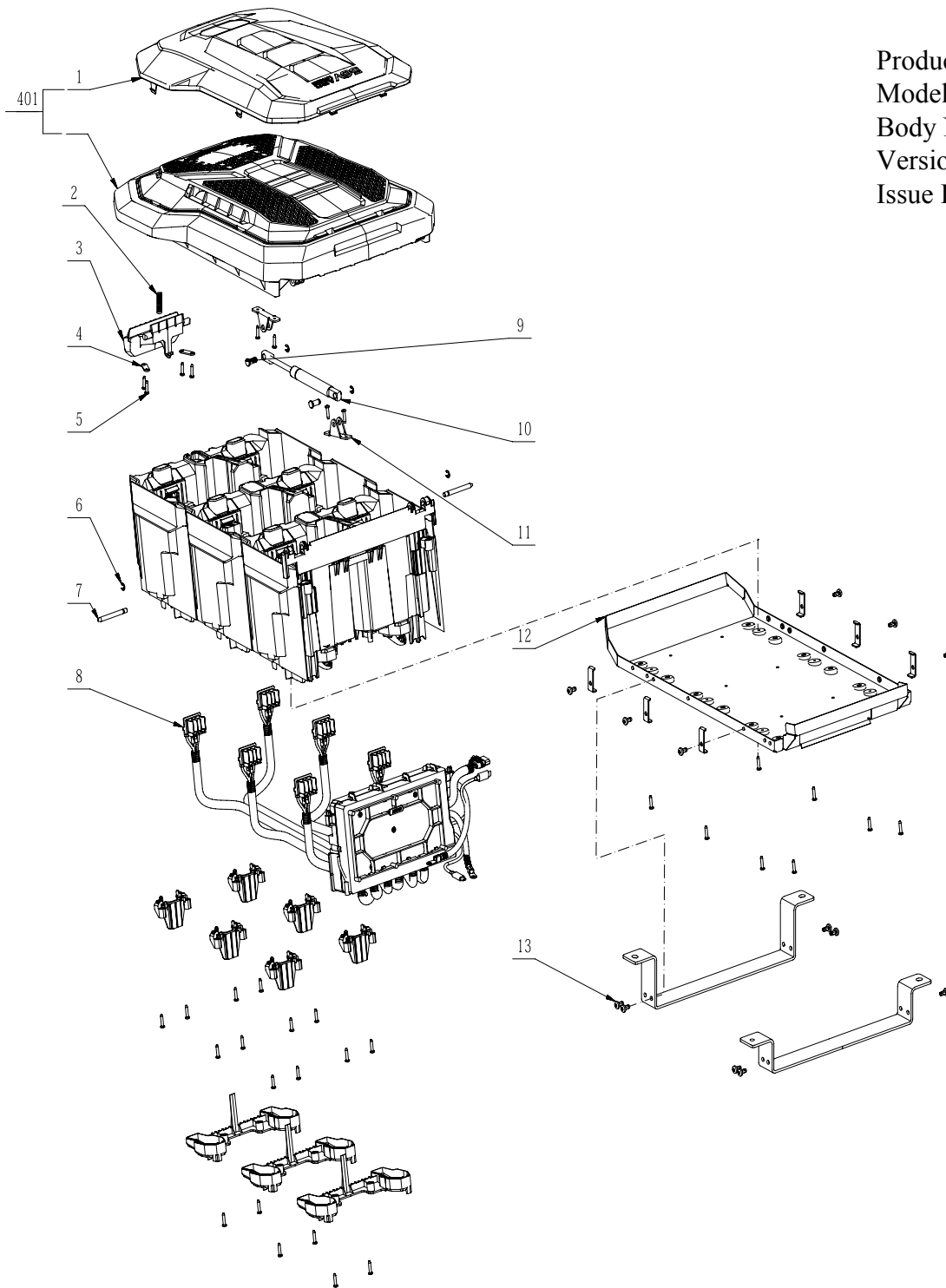
Product Description: Zero Turn Riding Mower
Model Number: ZT4200E-S
Body Number: 2829485001
Version: A
Issue Date: 2022/08/10





Product Description: Zero Turn Riding Mower
Model Number: ZT4200E-S
Body Number: 1000058001
Version: A
Issue Date: 2022/08/10



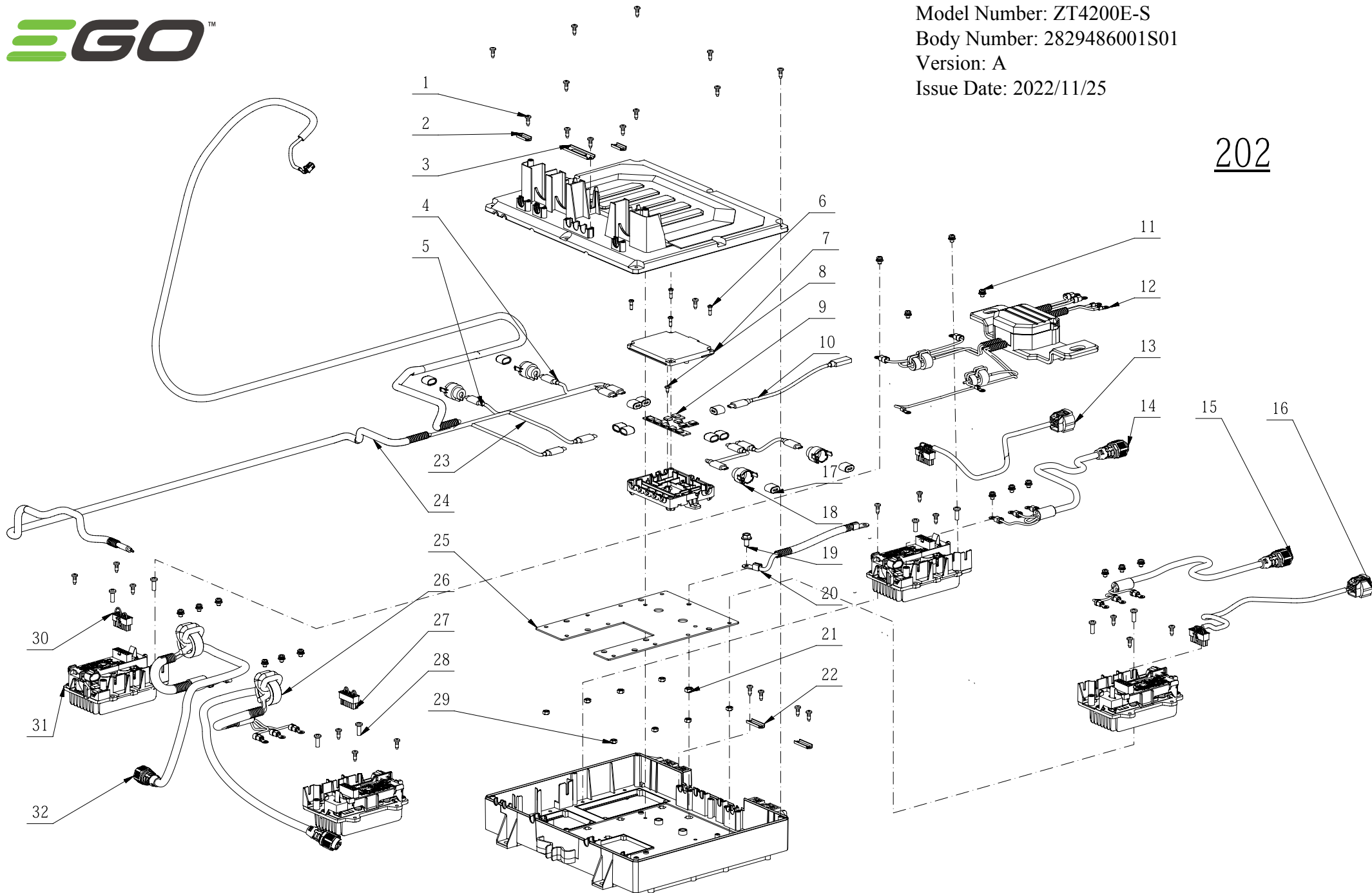


Product Description: Zero Turn Riding Mower
Model Number: ZT4200E-S
Body Number: 2827138002S02
Version: A
Issue Date: 2022/11/25



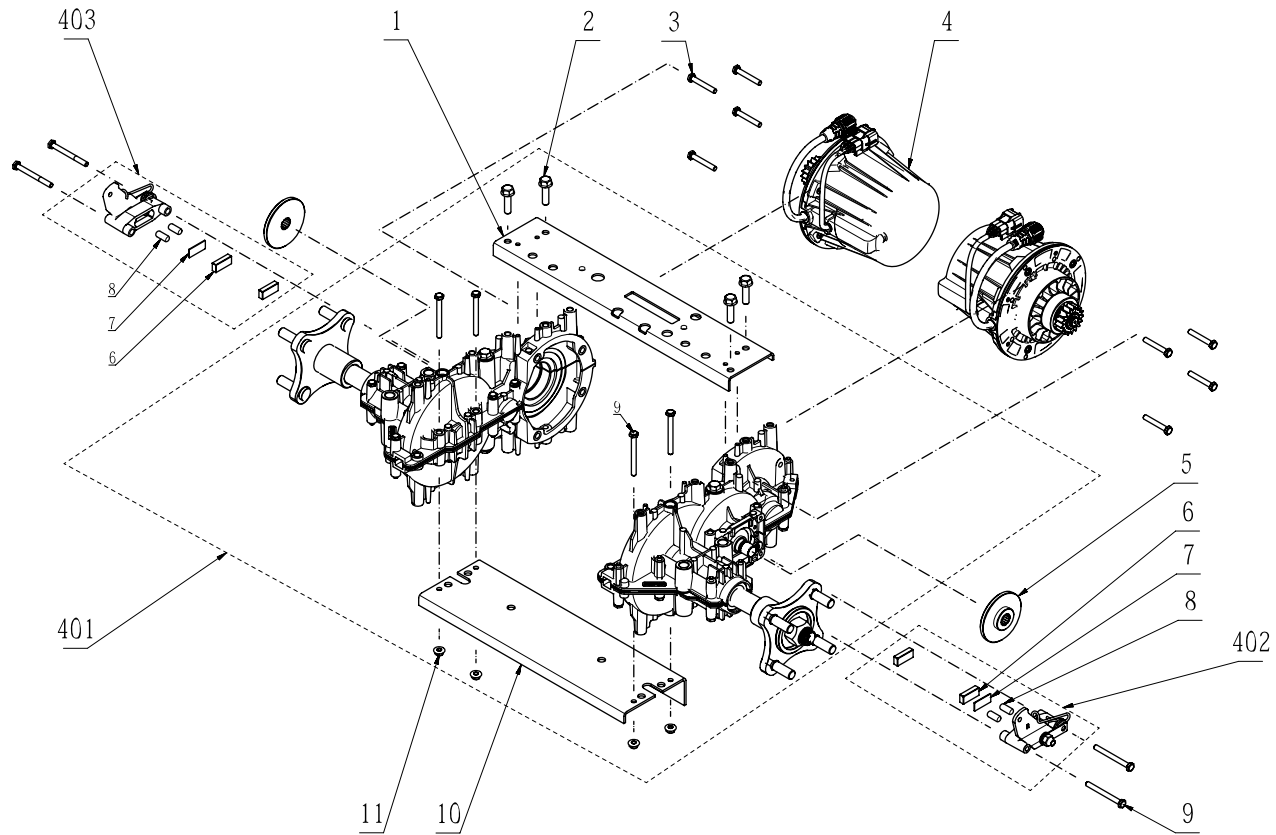
Product Description: Zero Turn Riding Mower
Model Number: ZT4200E-S
Body Number: 2829486001S01
Version: A
Issue Date: 2022/11/25

202





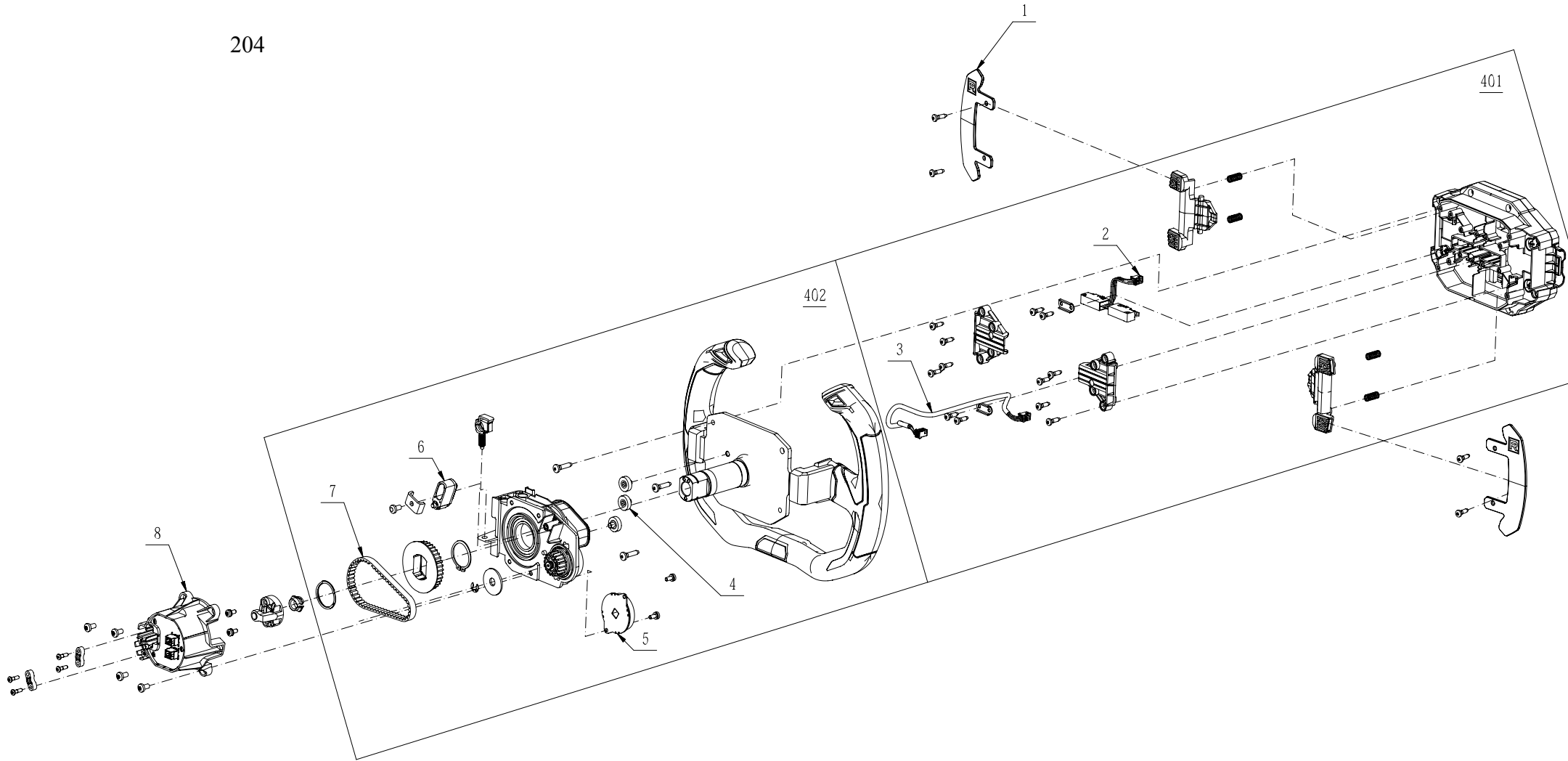
Product Description: Zero Turn Riding Mower
Model Number: ZT4200E-S
Body Number: 1000031001_S
Version: A
Issue Date: 2022/11/25





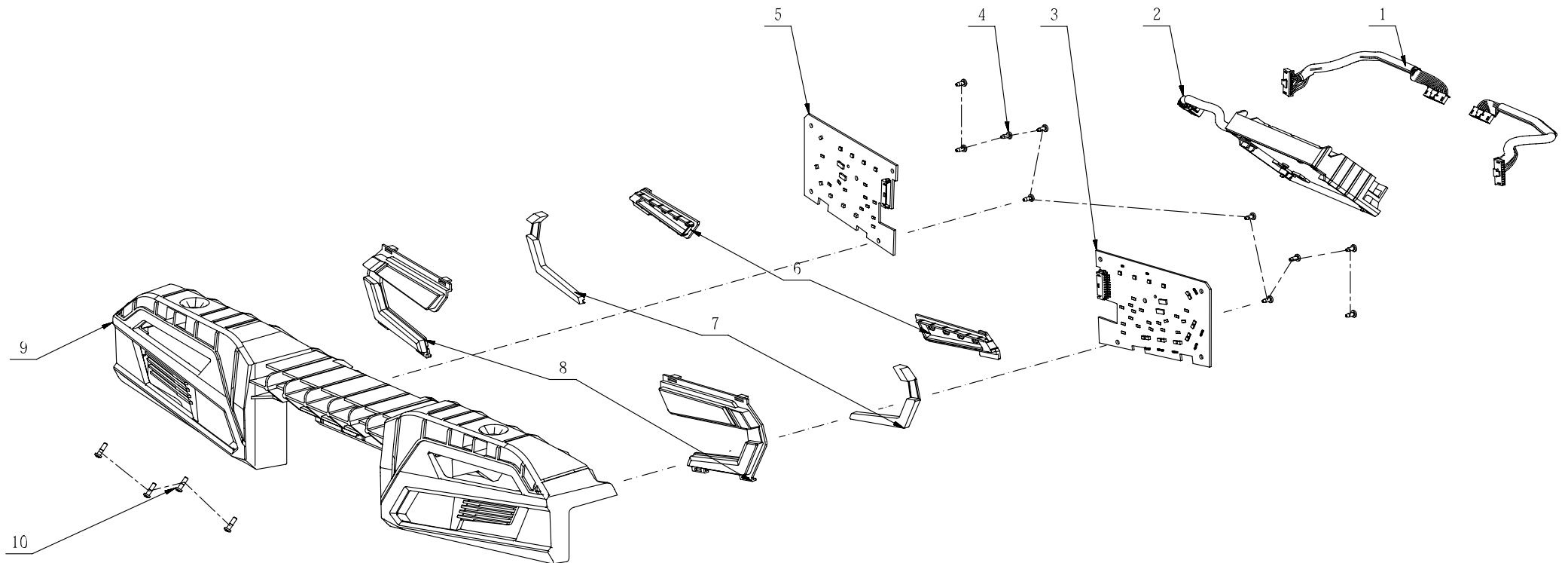
Product Description: Zero Turn Riding Mower
Model Number: ZT4200E-S
Body Number: 1000031001_S
Version: A
Issue Date: 2022/11/25

204



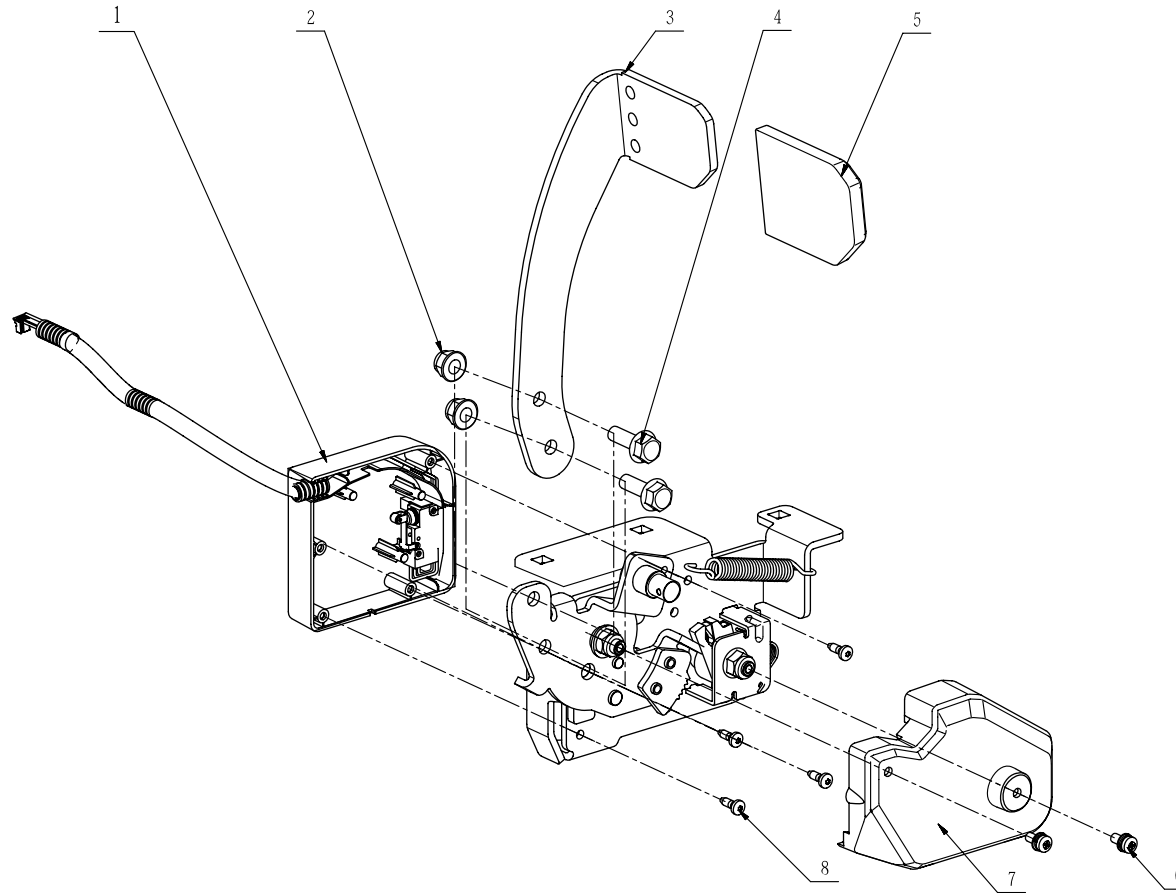


Product Description: Zero Turn Riding Mower
Model Number: ZT4200E-S
Body Number: 2829473001S01
Version: A
Issue Date: 2022/11/25



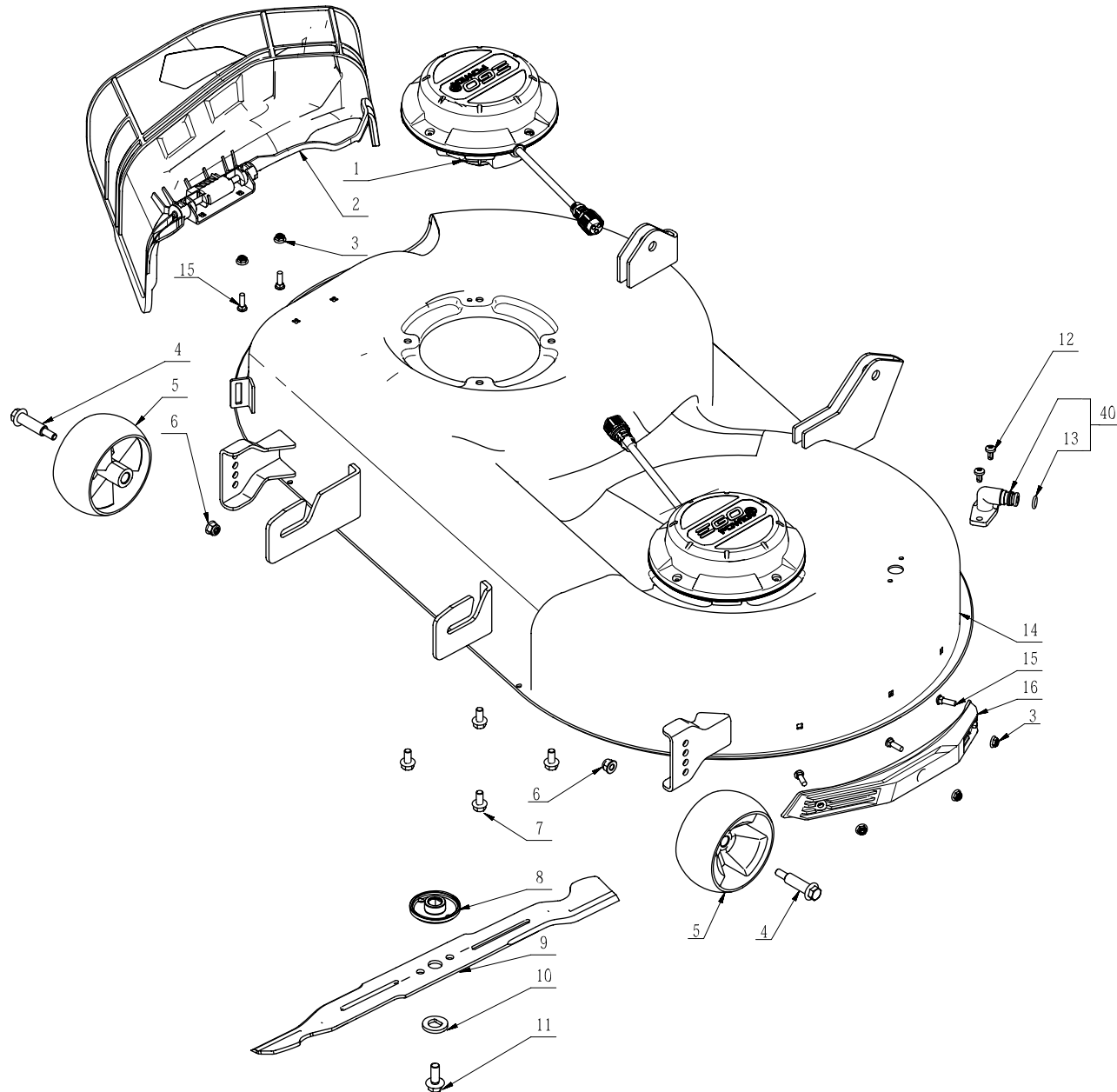


Product Description: Zero Turn Riding Mower
Model Number: ZT4200E-S
Body Number: 1000031001_S
Version: A
Issue Date: 2022/11/25



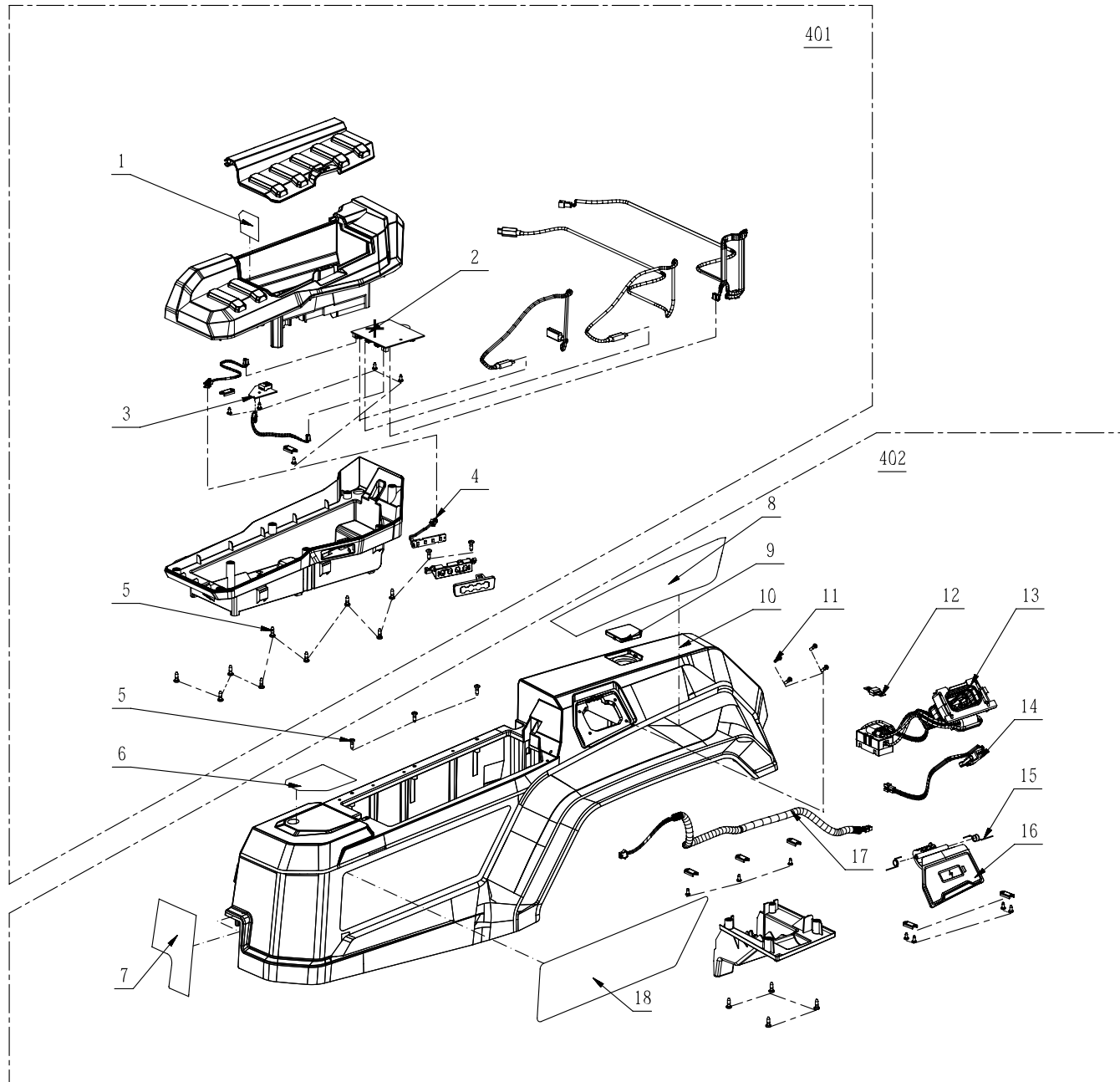


Product Description: Zero Turn Riding Mower
Model Number: ZT4200E-S
Body Number: 1000031001_S
Version: A
Issue Date: 2022/11/25





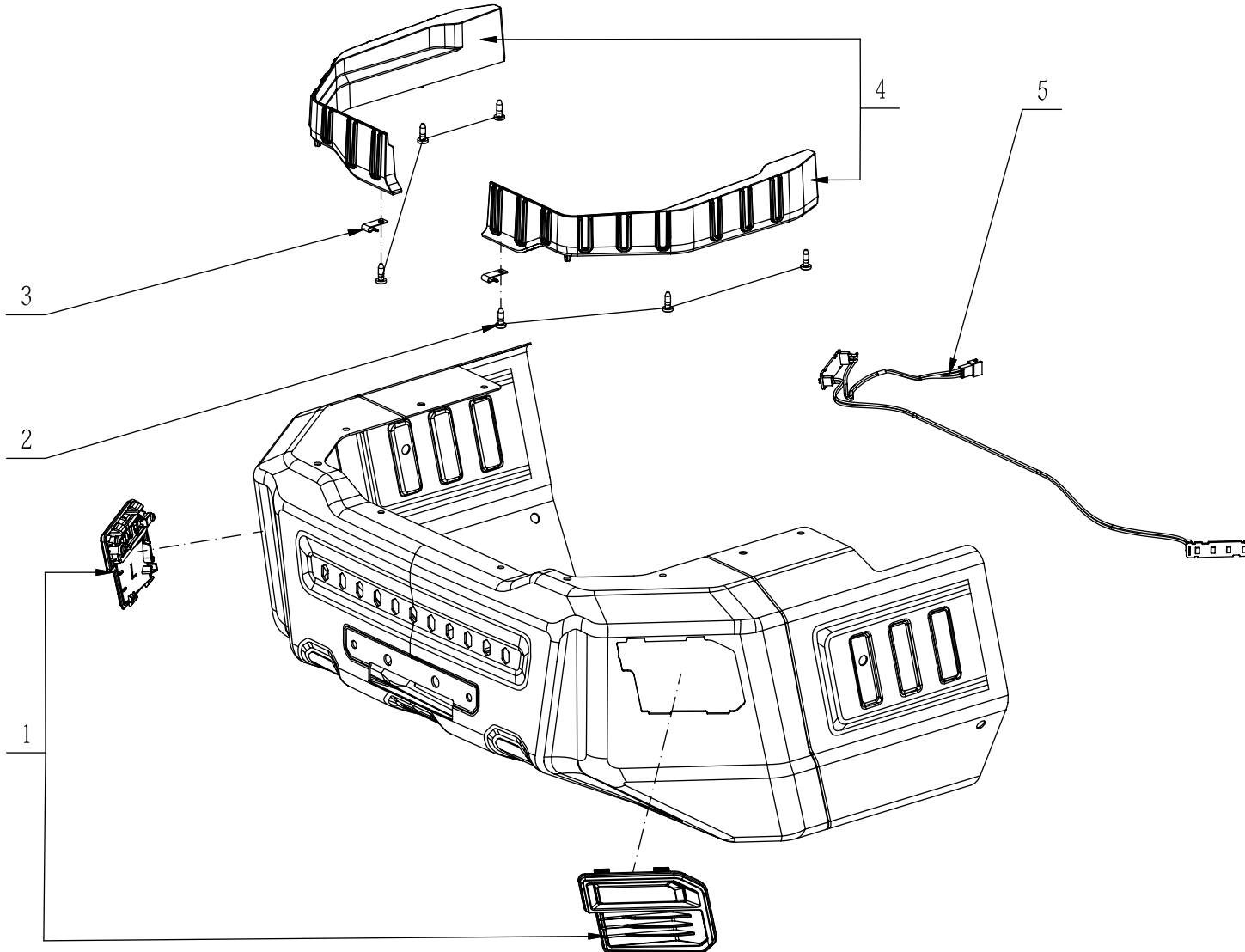
Product Description: Zero Turn Riding Mower
Model Number: ZT4200E-S
Body Number: 2829174001S01
Version: A
Issue Date: 2022/11/25





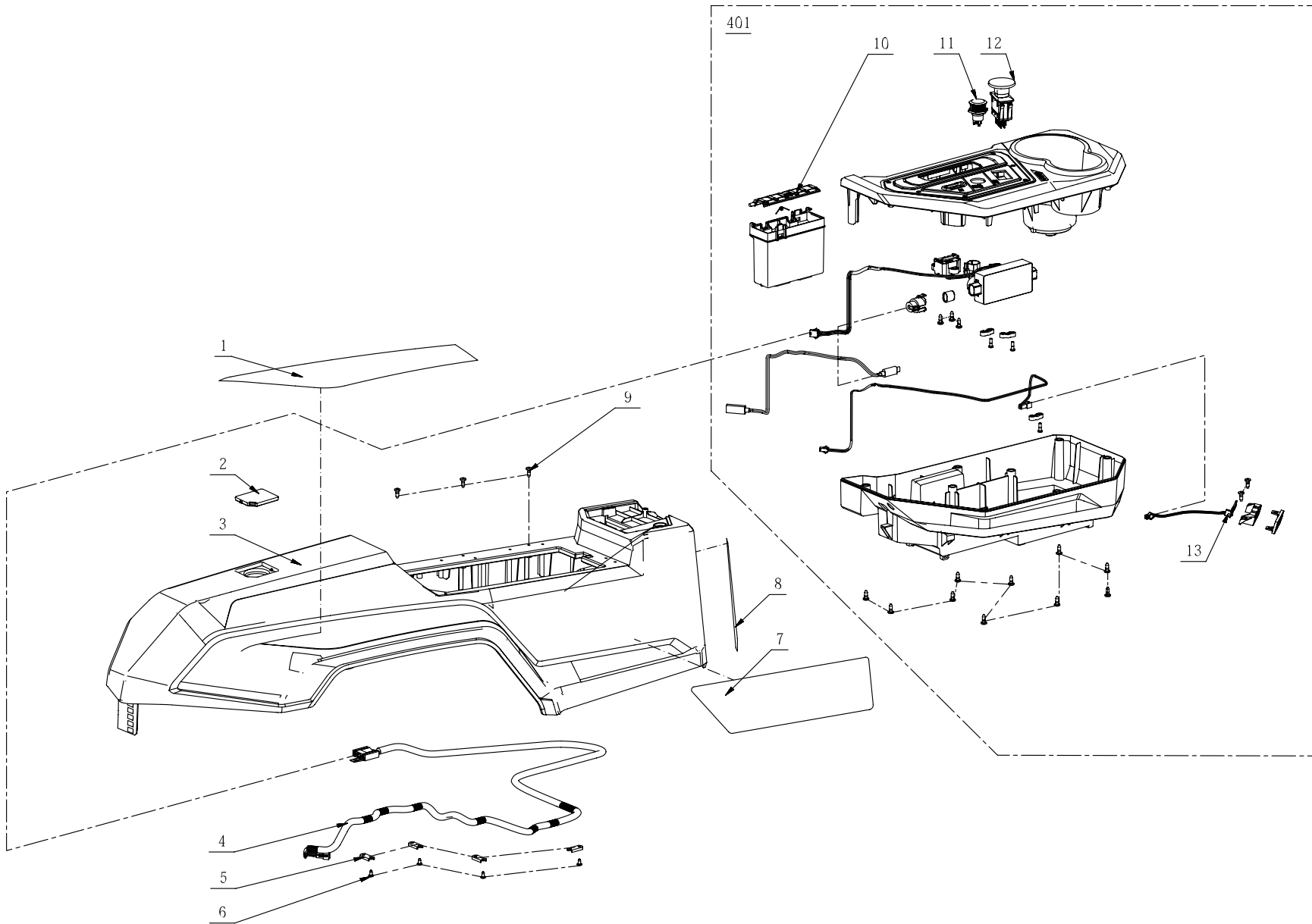
Product Description: Zero Turn Riding Mower
Model Number: ZT4200E-S
Body Number: 1000031001_S
Version: A
Issue Date: 2022/11/25

209



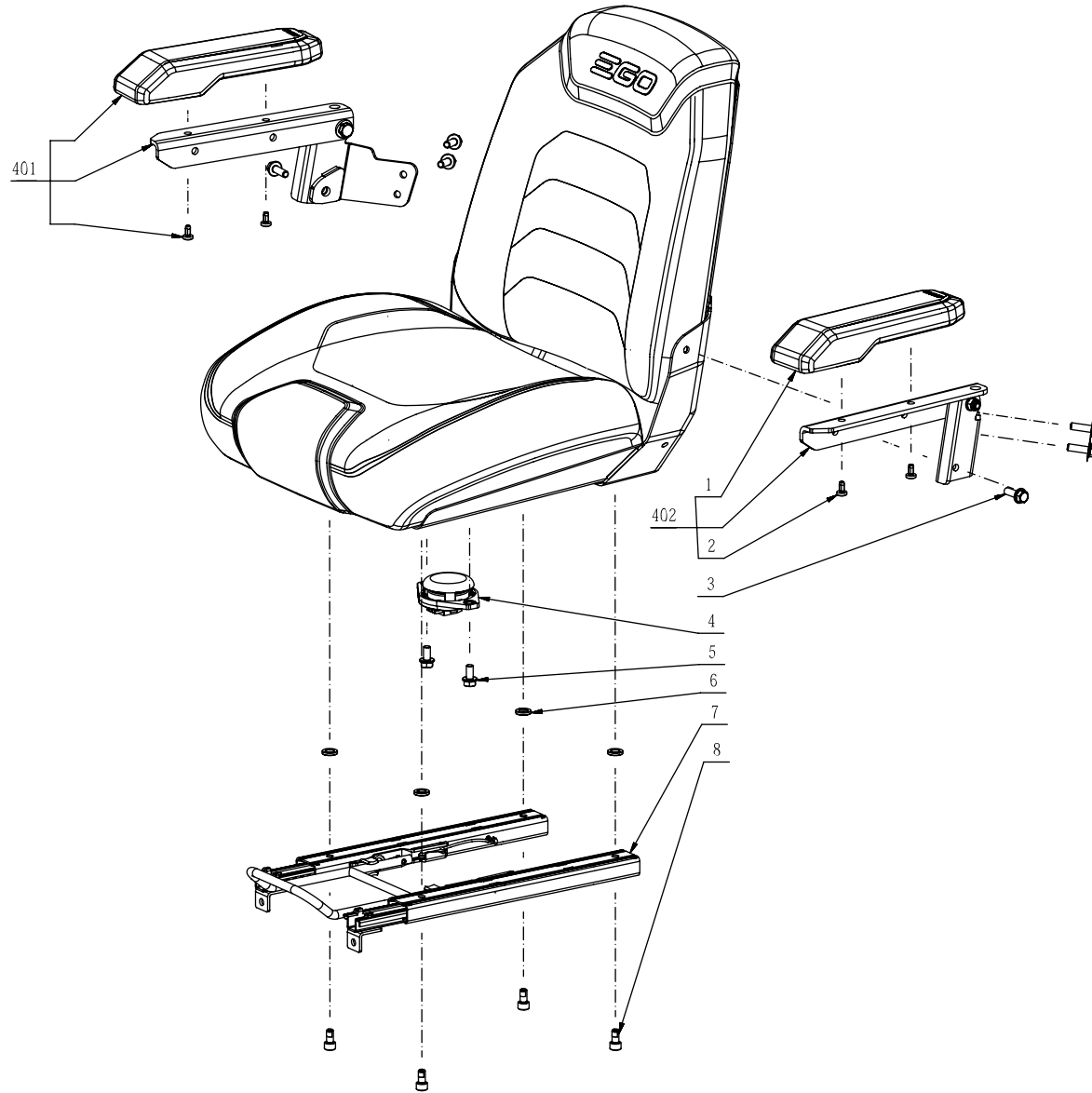


Product Description: Zero Turn Riding Mower
Model Number: ZT4200E-S
Body Number: 2829374001S01
Version: A
Issue Date: 2022/11/25



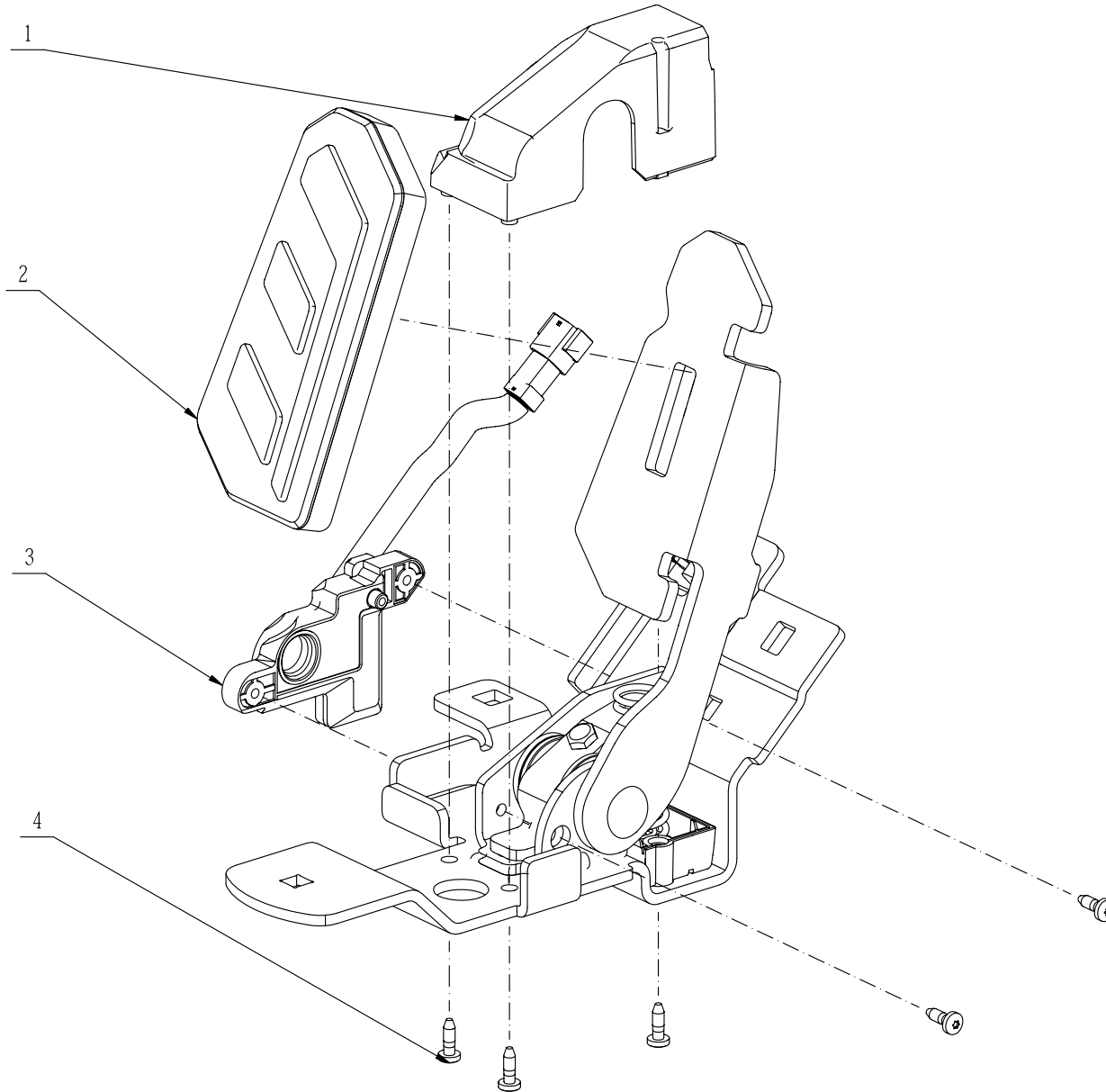


Product Description: Zero Turn Riding Mower
Model Number: ZT4200E-S
Body Number: 1000031001_S
Version: A
Issue Date: 2022/11/25





Product Description: Zero Turn Riding Mower
Model Number: ZT4200E-S
Body Number: 2829179001S01
Version: A
Issue Date: 2022/11/25





Repair Parts_Zero Turn Riding Mower_ZT4200E-S

Index No.	Art. No.	Description	QTY in machine	Weight (g)	Size LxWxH (mm)	MPQ	Repairable or No	Estimated Repair Time (minute)
1	5650909001	Plain Washer	2	1.6	13x24x2.5	10	Y	1
2	5630070003	Nut	2	10	23x20x12	10	Y	1
3	2827074001	Right Lift Arm Assembly	1	823	312x85x40	1	Y	35
4	2827075001	Left Lift Arm Assembly	1	823	312x85x40	1	Y	35
5	5650740001	Plain Washer	2	8.6	28x28x2.5	10	Y	1
6	5690532001	Seal Ring	2	0.25	14x18x2.5	10	Y	35
7	2245662003	Nameplate	1	60	30x30x50	50	Y	1
8	5670561001	Split Pin	2	10	23x54x8	10	Y	1
9	3553471001	Connecting Rod Spindle	2	60.9	44x3x16	10	Y	18
10	5630022004	Hexagon Nut	4	16	18x18x10.5	10	Y	1
11	3707327001	Hanger Rod	1	620	350x280x10	1	Y	5
12	3131157001	Wire Holder	17	15	24x8x41	10	Y	1
13	5630267001	Nut	8	13	20x20x13.5	10	Y	1
14	5630371001	Prevailing Torque Type Hexagon Lock Nut with	10	8.8	16x16x10.4	10	Y	1
15	3707365001	Left Supporting Plate	1	516.3	237x203x34	1	Y	20
16	2827182001	Support Assembly	2	2260	237x96x208	1	Y	20
17	5640363001	Flange Bolt-Large Series	4	20	18x18x78	10	Y	1
18	5640360001	Hexagon Flange Head Thread Forming Screw	12	22	18x18x38	10	Y	1
19	5620377003	Hexagon Socket Screw	5	2	8x8x16	10	Y	1
20	5610388001	Hexalobular Socket Thread Forming Screw	7	4.4	12x12x17	10	Y	1
21	5640373001	Hex Serrated Flange Screw	2	7.6	14x14x18	10	Y	25
22	5620618001	Screw with Washer	12	2.6	10x10x10	10	Y	1
23	3580076001	Rubber Sleeve	1	2.5	14x10x16	10	Y	1
24	3131055001	Wire Holder	1	7.5	32x22x29	10	Y	1
25	3707366001	Right Supporting Plate	1	516.3	237x203x34	1	Y	20
26	3131528001	Hook	6	5.3	15x14x16	10	Y	1
27	3131403001	Base Foot	1	457	443x415x5	1	Y	1

Index No.	Art. No.	Description	QTY in machine	Weight (g)	Size LxWxH (mm)	MPQ	Repairable or No	Estimated Repair Time (minute)
28	5640361001	Hexagon Flange Head Thread Forming Screw	8	22	38×16×16	10	Y	1
29	4970355001	Motor Control System Fuse(80A)	4	6.7	41×12×7	10	Y	10
30	2829422001	Decorative Cover Assembly	1	224	204×153×57	1	Y	2
31	5610923001	Hexagon Head Bolt	2	63.4	85×10×10	10	Y	1
32	3133728001	Lower Housing	1	176	204×153×58	1	Y	2
33	5610223002	Hexagon Lobuar Screw	8	2.5	16×4.2×4.2	10	Y	1
34	5630329001	Lock Nut	3	14.6	17×17×9.6	10	Y	1
35	2829130001	Inner Tube Welded Assembly	1	5051	288×271×57	1	Y	30
36	5640212002	Bolt	1	38.4	35×10×10	10	Y	1
37	5650259001	Washer	1	2.76	10.1X20X1.5	10	Y	1
38	5620377003	Hexagon Socket Screw	5	2	8x8x16	10	Y	1
39	3133548001	Top Cover	1	76.3	150×161×119	1	Y	2
40	3403426001	Lower Housing	1	22.89	119×70.5×30	1	Y	2
41	5620339002	Hexagon Socket Screw	2	5.6	6×6x10.5	10	Y	1
42	3423390001	Hoop	1	162	93×65×42	1	Y	3
43	2829131001	Outer Tube Welded Assembly	1	4061.9	342×244×160.5	1	Y	15
44	3580440001	Pressing Sleeve	2	52	77×54×54	1	Y	30
45	3133549001	Lock Sleeve	1	17.2	57.5×33×33	1	Y	20
46	2829470001	Footrest Pedal Assembly	1	4800	646x206x162	1	Y	3
47	5630371001	Prevailing Torque Type Hexagon Lock Nut with	13	8.8	16×16×10.4	10	Y	1
48	5640360001	Hexagon Flange Head Thread Forming Screw	15	22	18×18×38	10	Y	1
49	2829100001	Support Assembly	1	2260	237x96x208	1	Y	20
50	5650016007	Plain Washer	8	5	12×12×1	10	Y	1
51	3708673001	Decorative Cover	1	157.6	165×135×46	1	Y	3
52	5640358001	Small Round Head Low Square Neck Bolt	12	13	17×23×17	10	Y	1
53	2827052001	Front Wheel Bracket Assembly	2	5400	160x143x158	1	Y	3
54	3708360001	Full Protection Guard	1	85	150x65x40	1	Y	3
55	5640356001	Hexagon Head Bolt	2	158	167.5×12×12	1	Y	1
56	3130956001	Bearing Cover	4	5	44×44×15	1	Y	1
57	2827184001	Front Wheel Set	2	5400	160x143x158	1	Y	3
58	5620021004	Hexagon Socket Screw	4	11.5	13×13×24	10	Y	1
59	5620453003	Tapping Screw	8	10	13×13×24	10	Y	1
60	2827209001	Shock Absorber	1	9000	340×555×122	1	Y	20
61	5640361001	Hexagon Flange Head Thread Forming Screw	4	22	38×16×16	10	Y	1

Index No.	Art. No.	Description	QTY in machine	Weight (g)	Size LxWxH (mm)	MPQ	Repairable or No	Estimated Repair Time (minute)
62	5670563001	R Pin	3	2.3	37×16×2	10	Y	1
63	2827083001	Connecting Rod Assembly	1	772	46×21×861	1	Y	30
64	5670561001	Split Pin	3	10	23×54×8	10	Y	1
65	5670553001	Pin Shaft	2	2.3	37×16×2	10	Y	3
66	2828736001	Rear Wheel Set	2	6810	449×449×240	1	Y	5
67	5630372001	Conical Nut	8	28.8	20×24×15	10	Y	1
68	3131306001	Rear Hubcap	2	207	195×197×66	1	Y	1
69	5610388001	Hexalobular Socket Thread Forming Screw	21	4.4	12×12×17	10	Y	1
70	3707449001	Hitch	1	411.9	99×106×31	1	Y	2
71	5640353001	Flange Bolt-Large Series	3	25	18×18×48	10	Y	1
72	2827673001	Key Assembly	1	30.00	12×35×54	10	N	1
73	2823689001	Quick Connect Coupling	1	30.00	34×34×52	1	N	1
74	5680145001	Hexagon Socket Screw Key	1	49.70	175×40×6	1	N	1
75	5680137001	Combination Wrench	1	79.90	170×27×7	10	N	1
76	5680356001	Socket Wrench	1	187.80	164.5×50×20	1	N	1
77	5970136002	Grease	1	60	30x30x50	1	Y	1
201	2827138002	Battery Box Assembly	1	11220	432x586x312	1	Y	40
202	2829486001	Control Electric Assembly	1	5000	335x313x89	1	Y	100
203	2827266002	Drive Train Assembly	1	24700	326x187x902	1	Y	120
204	2829461001	Steering Wheel Assembly	1	3260	334×241×232	1	Y	5
205	2829473001	Front Frame Assembly	1	3290	639×164×137	1	Y	6
206	2827245002	Parking Assembly	1	1760	144×210×290	1	Y	10
207	2827360002	Deck Unit	1	27000	1305x792x172	1	Y	5
208	2829174002	Left Cover Assembly	1	3510	1031×343×308.5	1	Y	30
209	2827270002	Rear Guard Assembly	1	3290	564x366x277	1	Y	5
210	2829374003	Right Cover Assembly	1	3813	1031×346×323	1	Y	10
211	2827269001	Damping Seat Assembly	1	14600	596×596×540	1	Y	5
212	2829179001	Accelerator	1	1915	143×312×237	1	Y	15
214	2829672001	Wrench Tool Set	1	405	290x210x50	1	Y	1
201-1	3130889001	Rear Transparent Guard	1	577	382×499×88	1	Y	5
201-2	3660705002	Compression Spring	1	3.4	9.4×9.4×33.4	10	Y	5
201-3	3130964001	Latch	1	57	65.5×69×120	1	Y	5
201-4	3706580001	Clamp	2	3.6	10×20×2	10	Y	5
201-5	5620157006	Hexagon Socket Screw	54	2.8	8x8x22	10	Y	1

Index No.	Art. No.	Description	QTY in machine	Weight (g)	Size LxWxH (mm)	MPQ	Repairable or No	Estimated Repair Time (minute)
201-6	5660305001	E Ring	4	0.3	10×11.7×0.7	10	Y	5
201-7	3553477001	Spindle	2	19.5	7×7×68	10	Y	10
201-8	2830882001	BMS Electric Assembly	1	5000	300×450×70	1	Y	30
201-9	5670559001	Pin Shaft	2	9	12×12×20.5	10	Y	5
201-10	3660805001	Gas Spring	1	186	20×20×225	1	Y	5
201-11	3707349001	Support Base	2	37.7	15.5×68×28.5	1	Y	5
201-12	3707351001	Hook	6	9.8	10×13×39.8	10	Y	35
201-13	5610388001	Hexalobular Socket Thread Forming Screw	14	4.4	12×12×17	10	Y	1
201-401	2827772001	Battery Box Cover Assembly	1	1570	450×559×119	1	Y	5
202-1	5620377003	Hexagon Socket Screw	30	2	8×8×16	10	Y	1
202-2	3700367001	Cord Anchorage	2	3	26×10.8×4	1	Y	1
202-3	3708930001	Cord Anchorage	1	3.6	61×15×4	10	Y	5
202-4	4860792004	Type-C Male-male Wire	3	18	15×15×100	1	Y	25
202-5	4860792003	Type-C Male-male Wire	1	18	15×15×100	10	Y	25
202-6	5610305002	Tapping Screw	4	5	6×6×15	10	Y	1
202-7	3900369002	PCB Box	1	75	130×114×33	1	Y	30
202-8	5610021001	Tapping Screw	1	1	8×8×11	10	Y	1
202-9	4891968001	Connecting PCBA	1	13.6	80×50×10	1	Y	30
202-10	4860791003	Type-C Male-female Wire	1	18	15×15×150	1	Y	30
202-11	5620618001	Screw with Washer	16	2.6	10×10×10	10	Y	1
202-12	2829641001	Magnet Ring Assembly	1	500	230×100×50	1	Y	30
202-13	4860788001	Wire Harness	1	40	30×30×200	1	Y	30
202-14	4861056001	Motor Wire Harness	1	90	30×30×150	1	Y	30
202-15	4861056002	Motor Wire Harness	1	90	30×30×150	1	Y	30
202-16	4860789001	Wire Harness	1	40	30×30×200	1	Y	30
202-17	3580076001	Rubber Sleeve	11	2.5	14×10×16	10	Y	30
202-18	3131055001	Wire Holder	4	7.5	32×22×29	10	Y	1
202-19	5640373001	Hex Serrated Flange Screw	1	7.6	14×14×18	10	Y	25
202-20	4860768002	Host Power Wire Harness	1	60	15×15×300	1	Y	30
202-21	5630015001	Prevailing Torque Hexagon Nut	1	2	5×10×11	10	Y	1
202-22	3707407001	Cord Anchorage	2	4.1	34×10×4	10	Y	1
202-23	4861094001	Communication Wire Harness	1	30	10×10×2100	1	Y	30
202-24	4860797001	Type-C Male-male Wire	1	30	15×15×200	1	Y	30
202-25	3707400001	Base Plate	1	158.7	161×232×2	10	Y	45

Index No.	Art. No.	Description	QTY in machine	Weight (g)	Size LxWxH (mm)	MPQ	Repairable or No	Estimated Repair Time (minute)
202-26	4861140003	Motor Wire Harness	1	180	30×30×150	1	Y	30
202-27	4860785001	Motor Wiring Harness	1	5	30×30×15	10	Y	25
202-28	5620051009	Screw	8	4	5×5×16	10	Y	1
202-29	5630006003	Prevailing Torque Hexagon Nut	8	1.5	8×9×5	10	Y	1
202-30	4860786001	Motor Wiring Harness	1	5	30×30×15	10	Y	25
202-31	2829376001	Control Electric Assembly	4	5.4g	10×10×2100	1	Y	30
202-32	4861140001	Motor Wire Harness	1	180	30×30×150	1	Y	30
203-1	3707424001	Connecting Plate	1	789.7	416×80×20	1	Y	120
203-2	5640361001	Hexagon Flange Head Thread Forming Screw	4	22	38x16x16	10	Y	1
203-3	5640247002	Hexagon Head Bolt	8	11	12×12×44	10	Y	1
203-4	2730398001	DC Motor	2	3655	157×157×175	1	Y	30
203-5	3553570001	Brake Disc	2	160.8	68×68×11	1	Y	20
203-6	3521235001	Friction Block	4	4.7	28×12×7	10	Y	20
203-7	3707277001	Scaleboard	2	2.8	28.5×12.5×1	10	Y	20
203-8	5670552001	Parallel Pin	4	6.8	7.9×7.9×18.5	10	Y	20
203-9	5640009003	Hexagon Head Bolt	8	16	64x12x10	10	Y	1
203-10	3707423001	Connecting Plate	1	1337.1	363×110×42	1	Y	20
203-11	5630244004	Nut	4	5	13×13×6.7	10	Y	1
203-401	2827439002	Gear Case Assembly	1	16900	903×327×194	1	Y	120
203-402	2827528002	Right Bracket Assembly	1	180	91×56×70	1	Y	20
203-403	2827525002	Left Bracket Assembly	1	180	91×56×70	1	Y	20
204-1	3708720001	Switch-plate	2	23	11x64x135	1	Y	2
204-2	4870949001	Switch Assembly	1	80	82x11x19	1	Y	15
204-3	4861093001	Spring Wire	1	40	32x15x169	1	Y	15
204-4	5610925001	Hexagon Socket Rubber Head Cap Screw	3	6	17x17x11.2	10	Y	20
204-5	2829161001	Damper	1	133	47x56x12	1	Y	5
204-6	2829501001	Roller Assembly	1	13	15x37x24	1	Y	5
204-7	3800215001	Timing Belt	1	20	29x111x60	1	Y	10
204-8	2831381001	Angle Measuring Electric Assembly	1	150	80x86x91	1	Y	10
204-401	2829534001	Control Assembly	1	800	199x138x60	1	Y	10
204-402	2829590001	Belt Drive Assembly	1	2100	335x241x174	1	Y	15
205-1	4860770001	Lamp Wire Harness	2	30	20×8×200	1	Y	10
205-2	2831393001	Control Electric Assembly	1	300	129×106×33	1	Y	10
205-3	4891966002	LED PCBA	1	70	155×115×4	10	Y	10

Index No.	Art. No.	Description	QTY in machine	Weight (g)	Size LxWxH (mm)	MPQ	Repairable or No	Estimated Repair Time (minute)
205-4	5610021001	Tapping Screw	10	1	8×8×11	10	Y	1
205-5	4891967002	LED PCBA	1	70	155×115×4	10	Y	10
205-6	3900346002	Transparent Cap Assembly	1	18.4	106×29×34	1	Y	10
205-7	3900344002	Transparent Guard Assembly	1	8	86×26×74	1	Y	10
205-8	3900345002	Transparent Guard Assembly	1	53.6	133×54×97	1	Y	10
205-9	3130877001	Front Frame	1	638	139×164×137	1	Y	10
205-10	5610305002	Tapping Screw	4	5	6×6×15	10	Y	1
206-1	2827480002	Switch Box Assembly	1	62	320×88×20	1	Y	15
206-2	5630371001	Prevailing Torque Type Hexagon Lock Nut with	2	8.8	16×16×10.4	10	Y	1
206-3	3707284001	Pedal	1	414.5	217.5×93×80	1	Y	8
206-4	5640354001	Flange Bolt-Large Series	2	17	17.5×17.5×33	10	Y	1
206-5	3580060001	Rubber Sleeve	1	44.5	79×62.5×13	1	Y	2
206-6	5620352002	Screw with Washer	2	3.25	9×9×16	10	Y	1
206-7	3130932001	Seal Packing Case	1	48	132×91.5×39.7	1	Y	1
206-8	5620377003	Hexagon Socket Screw	4	2	8×8×17	10	Y	1
207-1	2730319001	DC Motor	2	3000	93×93×125	1	Y	20
207-2	2823670002	Chute Deflector Assembly	1	874.8	567×345×155	1	Y	10
207-3	5630244004	Nut	5	5	13×13×6.7	10	Y	1
207-4	5640352001	Hexagon Flange Bolt	2	62.8	11×11×92	10	Y	1
207-5	3131072001	Roller Wheel	2	220	122×122×69	1	Y	3
207-6	5630371001	Prevailing Torque Type Hexagon Lock Nut with	2	8.8	16×16×10.4	10	Y	1
207-7	5640222001	Hexagon Flange Bolt	8	15	18×18×24	10	Y	1
207-8	3580113001	Flange	2	111	30×30×15.5	10	Y	15
207-9	3707399001	Blade	2	705.5	536×50×19	1	N	15
207-10	5650510001	Washer	2	14	16.7×30×4	10	Y	15
207-11	5640226001	Flange Bolt	2	26	10×10×25	10	Y	15
207-12	5610388001	Hexalobular Socket Thread Forming Screw	2	4.4	12×12×17	10	Y	1
207-13	5690141001	O Ring	1	0.5	16×16×2.5	10	Y	1
207-14	2827070001	Deck Unit	1	18546	1115×735×171	1	Y	30
207-15	5640357001	Semicircular Head Square Neck Bolt	5	6.3	6×6×22	10	Y	1
207-16	3131048001	Baffle Strip	1	115	297×75×33	1	Y	6
207-401	2823718002	Outlet Nozzle Assembly	1	26	64×54.5×35.8	1	Y	6
208-1	2245883001	Nameplate	1	0.49	40×37×0.18	50	Y	1
208-2	4891973002	USB PCBA	1	20	81×83×20	1	Y	25

Index No.	Art. No.	Description	QTY in machine	Weight (g)	Size LxWxH (mm)	MPQ	Repairable or No	Estimated Repair Time (minute)
208-3	4891964001	USB PCBA	1	6.5	51x44x10	10	Y	10
208-4	2830790001	LED Electric Assembly	1	18.5	150x13x5	10	Y	10
208-5	5620377003	Hexagon Socket Screw	18	2	8x8x17	10	Y	1
208-6	2245881001	Brand Label	1	2.29	80x83x0.18	50	Y	1
208-7	2240166003	Brand Label	1	2.89	87x169x0.18	50	Y	1
208-8	2245884001	Brand Label	1	9.01	338x109x0.18	50	Y	1
208-9	3131104001	Left Cover Plate	1	4.2	50.2x40.2x6	10	Y	1
208-10	3130901002	Left Cover	1	1788.1	1031x341x308	1	Y	20
208-11	5610305002	Tapping Screw	4	5	6x6x15	10	Y	1
208-12	4970354001	Charging Fuse(40A)	1	2	42x12x8	10	Y	5
208-13	4860796001	Charging Harness Assembly	1	85.8	50x103x216	1	Y	35
208-14	4870766001	Switch Assembly	1	94.2	94x67x300	1	Y	35
208-15	3660810001	Torsion Spring	2	4	15x9x45	10	Y	45
208-16	3131010001	Charging Port Cover	1	48.7	102x47x115	1	Y	45
208-17	4860771001	Wiring Harness	1	25	10x10x120	1	Y	35
208-18	2244798001	Brand Label	1	6.77	338x87x0.18	50	Y	1
208-401	2829176002	Storage Box Assembly	1	905.5	394x184x126	1	Y	5
208-402	2829175002	Left Cover Set	1	2188	1031x341x308	1	Y	30
209-1	2827628001	L R Indicator Cover Set	1	28.5	1110x80x30	1	Y	5
209-2	5620377003	Hexagon Socket Screw	6	2	8x8x17	10	Y	1
209-3	3707406001	Wire Holder	2	1.7	8x20x5	10	Y	1
209-4	3900385001	Guard Assembly	1	164.5	180x250x50	1	Y	6
209-5	2830770001	LED Electric Assembly	1	20.5	500x13x5	1	Y	6
210-1	2245884001	Brand Label	1	9.21	338x109x0.18	50	Y	1
210-2	3131105001	Right Cover Plate	1	5	41x50x9	10	Y	1
210-3	3130909003	Right Cover	1	1581.3	1031x323x323	1	Y	50
210-4	4860777001	Wiring Harness	1	783.4	30x15x1400	1	Y	45
210-5	3700367001	Cord Anchorage	4	3	26x10.8x4	1	Y	1
210-6	5610021001	Tapping Screw	4	1	8x8x11	10	Y	1
210-7	2244798002	Brand Label	1	7.14	338x87x0.18	50	Y	1
210-8	2244806002	Nameplate	1	0.98	192x25x0.18	50	Y	1
210-9	5620377003	Hexagon Socket Screw	18	2	8x8x17	10	Y	1
210-10	3322835001	Phone Box Cover	1	11.8	34x116x19	1	Y	15
210-11	4870764001	Push Switch	1	31	28x26x40	1	Y	30

Index No.	Art. No.	Description	QTY in machine	Weight (g)	Size LxWxH (mm)	MPQ	Repairable or No	Estimated Repair Time (minute)
210-12	4870762001	Push Switch	1	40	49×38×77	1	Y	30
210-13	2830790001	LED Electric Assembly	1	18.5	150×13×5	10	Y	10
210-401	2829373001	Control Panel Box Assembly	1	1290	400.7×215.3×175.1	1	Y	5
211-1	3402283001	Armrest	2	290	255×78×47	1	Y	2
211-2	5610388001	Hexalobular Socket Thread Forming Screw	4	4.4	12×12×17	10	Y	2
211-3	5640354001	Flange Bolt-Large Series	6	17	17.5×17.5×33	10	Y	1
211-4	4870579001	Switch Assembly	1	62	106×70×44	1	Y	12
211-5	5640222001	Hexagon Flange Bolt	2	15	18×18×24	10	Y	12
211-6	3550110002	Washer	4	5	20×20×3	10	Y	14
211-7	2827473001	Guide Rail Assembly	1	2200	444×230×73	1	Y	14
211-8	5620021004	Hexagon Socket Screw	4	11.5	13×13×24	10	Y	14
211-401	2827759001	Right Armrest Assembly	1	1450	352×116×134	1	Y	2
211-402	2827760001	Left Armrest Assembly	1	1450	352×116×134	1	Y	2
212-1	3133799001	Dust Cover	1	27	46×99×52	1	Y	5
212-2	3403428001	Pedal Sheath	1	122	145×71×19	1	Y	3
212-3	2831380001	Accelerator PCBA	1	65	110×110×25	1	Y	8
212-4	5620377003	Hexagon Socket Screw	5	2	8x8x16	10	Y	8